



Infor XA – Inventory Management User's Guide

Important Notices

The material contained in this publication (including any supplementary information) constitutes and contains confidential and proprietary information of Infor.

By gaining access to the attached, you acknowledge and agree that the material (including any modification, translation or adaptation of the material) and all copyright, trade secrets and all other right, title and interest therein, are the sole property of Infor and that you shall not gain right, title or interest in the material (including any modification, translation or adaptation of the material) by virtue of your review thereof other than the non-exclusive right to use the material solely in connection with and the furtherance of your license and use of software made available to your company from Infor pursuant to a separate agreement, the terms of which separate agreement shall govern your use of this material and all supplemental related materials ("Purpose").

In addition, by accessing the enclosed material, you acknowledge and agree that you are required to maintain such material in strict confidence and that your use of such material is limited to the Purpose described above. Although Infor has taken due care to ensure that the material included in this publication is accurate and complete, Infor cannot warrant that the information contained in this publication is complete, does not contain typographical or other errors, or will meet your specific requirements. As such, Infor does not assume and hereby disclaims all liability, consequential or otherwise, for any loss or damage to any person or entity which is caused by or relates to errors or omissions in this publication (including any supplementary information), whether such errors or omissions result from negligence, accident or any other cause.

Without limitation, U.S. export control laws and other applicable export and import laws govern your use of this material and you will neither export or re-export, directly or indirectly, this material nor any related materials or supplemental information in violation of such laws, or use such materials for any purpose prohibited by such laws.

Trademark Acknowledgements

The word and design marks set forth herein are trademarks and/or registered trademarks of Infor and/or related affiliates and subsidiaries. All rights reserved. All other company, product, trade or service names referenced may be registered trademarks or trademarks of their respective owners.

Publication Information

Release: Infor XA 10

Publication date: August, 2021

To the reader

This book contains the information you need to understand and run this application. The information in this book applies only to MAPICS XA.

Before you begin

If you are not familiar with the AS/400, please complete the AS/400 system education for the basic operating concepts of the AS/400 system.

What this book contains

Chapters 1 and 2 acquaint you with the application. Be sure to read the first two chapters before you use the instructions in the remaining sections. Use these chapters to understand how this application works and what you need to know to manage it.

The next group of chapters describes the options on the Main Menu. For example, Chapter 3 contains information about option 1 of the Main Menu. Each chapter includes information about how to use the displays associated with each option.

The last group of chapters describes the reports and forms for this application.

Use the appendixes to help you implement Inventory Management, learn how to use the Inventory Management interface, understand the definitions of the table files, and work with the tutorial for setting up structures.

Summary of changes

The following changes have been made to this application:

- **Warning message on History Purge:** A new display (AMI2X3), Transaction History Purge Confirm, shows the choices made on the previous display (AMI2X1) and their impact, allowing the user a chance to review the choices prior to purging the transaction history.
- **Location does not print:** All uncounted locations now appear on AMI5H2. Previously, if one location was counted, the rest would not appear. Only the first location for an item counted updates CCFLG in ITEMBL.
- **Deselect Items for Physical Inventory and Cycle Count:** The user can now deselect items that have been selected for Physical Inventory Counts. A new field, Activity Flag, under Cycle Count, was added to AMI7A5 (Item Balance File Maintenance) to allow for the field to be maintained.
- **Edit Reason Code in IM Transactions:** For applicable transactions, the reason code can now be edited against a Reason Table that is maintainable in IM, PMC, PCC, and REP. Valid reason codes are edited for proper transaction ID when they are created. The user controls whether this enhancement is applied or not by maintain an Inventory Management Control File byte. The Reason Table is maintainable on the client.
- **Hold or End PMC Unattached Jobs during IM Period Close:** The PMC unattached job is now put on hold during IM Period Close to avoid conflicts.
- **Percent Tolerance on Receipts:** This enhancement allows an edit on purchasing receipt transactions for over and under receipts. The user sets whether an error or a warning message should be issued if outside of the tolerance in Materials Management - Application Settings. The actual tolerance percentages are maintained at the warehouse and item balance levels. Both fields which were added to the Warehouse Extension and the Item Balance Extension files. If the user does not want tolerance percentage to be used, leave the percentage blank.
- **Reuse Deleted IMHIST Archive Records without File Reorg:** To improve efficiency, the additional copy to QTEMP was removed and the report is now submitted to the job queue.
- **Add User Exit to Manufacturing Order:** Use Program UMIOC01R, after order selection but prior to the actual close, to add logic to the close routine for order closeout selection and order closeout selection by date.
- **First IP Transaction to Update the First Operation to "Waiting":** When IP (including those generated by a PB or PC transaction), IU, or SC transactions are processed for the first time against an order, the first active (MOROUT OPSTC = 10 or greater) operation's Record Type (MOROUT RTYPE) will be updated to 2 = "Waiting."
- **PO Comments to Identify Manufacturing Item, Order, and Operation:** A purchase item/release comment was added on outside operation purchase orders to identify manufacturing item, manufacturing order, and operation. The comment was designed as follows:

Manufacturing Order Number/Operation Number, Item Number, Manufactured Item Description
- **Integration with EPDM:** If EPDM is installed, the Inventory Management application is now fully integrated with the EPDM functions and Item Revisions replaces Item Master. While this guide might contain references to Item Master files, the functions in this application now use Item Revisions for item information. For more information, see the *Enterprise Product Data Management Concepts Guide*.

Contents

To the reader	iii
Before you begin	iii
What this book contains	iii
Summary of changes	iv
Chapter 1. Introducing Inventory Management application	1-1
What Inventory Management does	1-1
The Inventory Management Main Menu	1-2
How information flows between IM and other applications	1-3
Inventory Management interfaces	1-5
How information flows within Inventory Management	1-8
Common MAPICS XA concepts	1-9
Data entry and update methods	1-9
Batches	1-10
Master file searches	1-10
Files	1-10
Major reports	1-15
Inquiries	1-17
Lockups	1-17
Automated job submission	1-18
Using eWorkPlace with MAPICS XA documentation	1-18
Chapter 2. Managing Inventory Management	2-1
Before you begin Inventory Management operations	2-1
Analyze the tasks	2-1
Choose an entry method	2-1
Determine how to group source material into batches	2-2
Establish controls	2-2
Set the sequence	2-2
Schedule the work	2-3
Daily operations	2-3
Inventory Management functions and calculations	2-3
Item definition	2-4
Inventory management functions	2-16
Order management functions	2-30
Miscellaneous features	2-44
Manufacturing Order History	2-44
EPDM activation	2-45
General Ledger interface	2-47
InterSite Logistics (ISL/MISL) interface	2-48
How to get started with IM	2-48
Answer the install/tailor questionnaire	2-49
Establish warehouses	2-49
Confirm inventory master records	2-49
Establish item QC and batch/lot controls	2-49
Build warehouse locations	2-51
Update location quantities	2-54
Run the location quantity audit	2-55
Add miscellaneous items	2-55
Using Electronic Commerce (EC) for EDI transactions	2-56
Overview	2-56

Advance Shipping Notice/Despatch Advice	2-57
Receiving advice	2-57
Euro currency support	2-57
Chapter 3. Inquiry	3-1
How to use inquiry	3-2
Option 1. Display Item Detail (AMIM10)	3-4
AMVDIM00—Specify Item to Display	3-5
AMVDIM01—Display Item Detail	3-6
Option 2. Item Balance Detail—All Warehouses (AMIM10)	3-8
AMI1A1—Item Balance Detail All Warehouses (Inquiry)	3-9
AMI1A1W—Item Balance Detail All Warehouses (Select Warehouses)	3-12
Option 3. Item Balance Detail—Mfg Allocations (AMIM10)	3-13
AMI1B1—Item Balance Inquiry—Mfg Allocations (Inquiry)	3-14
Option 4. Open Orders—By Item/Warehouse (AMIM10)	3-18
AMI1D2—Open Orders Inquiry (Inquiry)	3-19
Option 5. Item Availability (AMIM10)	3-23
AMI1E1—Item Availability (Inquiry)	3-24
Option 6. Item Balance History—Sales (AMIM10)	3-28
AMI1C1—Item Balance Inquiry – Sales History (Inquiry)	3-29
Option 7. Purchase Orders—By Order (AMIM10)	3-34
AMI1F1—Purchase Order Inquiry by Order (Inquiry) (line item detail)	3-35
AMI1F2—Purchase Order Inquiry by Order (Inquiry) (blanket release detail)	3-38
Option 8. Location Detail—By Item/Warehouse (AMIM10)	3-42
AMIWA1—Location Detail by Item/Warehouse (Select)	3-43
AMIWA2—QC Approved Lots Only (Inquiry)	3-45
AMIWA3—All Lots Approved and Not Approved (Inquiry)	3-47
Option 9. Warehouse Summary—By Item (AMIM10)	3-49
AMISB1—Warehouse Summary by Item (Select)	3-50
AMISB2—Warehouse Summary by Item (Inquiry)	3-51
Option 10. Item Detail—By Location (AMIM10)	3-53
AMIWB1—Item Detail by Location (Select)	3-54
AMIWB2—Item Detail by Location (Inquiry)	3-56
Option 11. Discrete Allocations (AMIM10)	3-59
AMINM1—Discrete Allocations (Select)	3-60
AMINM2—Allocations by Item (Inquiry)	3-62
AMINM3—Allocations by Batch/Lot (Inquiry)	3-64
AMINM4—Allocations by Order (Inquiry)	3-66
Chapter 4. Reports	4-1
How to use reports	4-2
Option 1. Status/Analysis Reports (AMIM20)	4-3
Option 2. Inventory Reports (AMIM20)	4-4
Option 3. File Listings (AMIM20)	4-6
Option 1. Stock Status—Inventory (AMIM21)	4-7
AMI2A1—Stock Status Review Report Options	4-8
Option 2. Stock Status—Location (AMIM21)	4-10
AMISE1—Location Stock Status (Select)	4-11
Option 3. Purchase Order Status (AMIM21)	4-13
AMI2C1—Purchase Order Status Report Options	4-14
Option 4. Manufacturing Order Status (AMIM21)	4-16
AMI2C2—Manufacturing Order Status Report Options	4-17
Option 5. Purchase/Manufacturing Order Status (AMIM21)	4-19

AMI2C3—Purchase and Manufacturing Order Status Report Options	4-20
Option 6. ABC Analysis (AMIM21)	4-22
AMI2F1—ABC Analysis Report Options	4-23
Option 7. Financial Stock Analysis (AMIM21)	4-25
AMI2I1—Financial Stock Analysis Report Options	4-26
Option 8. Stock Movement Analysis (AMIM21)	4-28
AMI2I2—Stock Movement Analysis Report Options	4-29
Option 1. Reorder Report (AMIM22)	4-31
AMI2L1—Inventory Reorder Report Options	4-33
Option 2. Control Totals (AMIM22)	4-35
Option 3. Follow-up Shortage (AMIM22)	4-36
AMI2P1—Follow-up Shortage Report Options	4-39
AMI2P2—Follow-up Shortage Report Options	4-41
AMI2P3—Follow-up Shortage Report Limits	4-43
Option 4. Item QC & Batch/Lot Controls (AMIM22)	4-46
AMIX51—Item QC and Batch/Lot Controls (Select)	4-47
Option 5. Items Waiting Inspection (AMIM22)	4-49
AMIQA1—Items Waiting Inspection (Select)	4-50
Option 6. Reject Items Waiting Disposition (AMIM22)	4-52
AMIX11—Reject Items Waiting Disposition (Select)	4-53
Option 7. Outstanding Goods Received Notes (AMIM22)	4-54
AMIGA1—Outstanding Goods Received Notes (Select)	4-55
Option 8. Invoices on Goods Received Notes (AMIM22)	4-56
AMIGE1—Invoices on Goods Received Notes (Select)	4-57
Option 9. Inventory Valuation (AMIM22)	4-59
AMISP1—Inventory Valuation (Select)	4-60
Option 1. Item Master List (AMIM23)	4-62
AMVE11—Item Master Report (Select)	4-63
Option 2. Item Balance List (AMIM23)	4-65
AMI2S1—Item Balance File List, Report Options	4-66
Option 3. Item Base Price List (AMIM23)	4-68
AMV540—Item Base Price List (Options)	4-69
Option 4. Empty Locations (AMIM23)	4-70
AMIW11—Empty Locations (Select)	4-71
Option 5. Locations and Contents (AMIM23)	4-73
AMIX71—Locations and Contents	4-74
Option 6. Contents of Quality Control Areas (AMIM23)	4-76
AMIX41—Contents of Quality Control Areas (Select)	4-77
Option 7. Contents of Bulk Store Areas (AMIM23)	4-78
AMIX41—Contents of Bulk Store Areas (Select)	4-79
Option 8. Miscellaneous Item Stock (AMIM23)	4-80
AMIX31—Miscellaneous Item Stock (Select)	4-81
Option 9. Goods Received Notes (AMIM23)	4-83
AMIGD1—Goods Received Notes (Select)	4-84
Chapter 5. Transaction Processing	5-1
Application tailoring options	5-3
Immediate update	5-3
Batch update	5-3
Delete transaction batches	5-3
Reuse transaction batches	5-3
Transaction types	5-5
How to use transaction processing	5-8
Transaction processing with the Maintenance Management System	5-8

Option 1. Entry (AMIM30)	5-10
AMI3Z1—Inventory Transaction, Data Entry Control	5-11
AMI3D01—Inventory Transaction, Transaction Selection (Select)	5-14
AMI3D02E—Inventory Transaction—Cost Adjustment (CA) (Enter)	5-17
AMI3D02B—Inventory Transaction—Cost Adjustment (CA) (Review)	5-19
AMI3D02I—Inventory Transaction – Cost Adjustment (CA) (Review)	5-21
AMI3D03E—Inventory Transaction—Average Cost Replace (CR) (Enter)	5-23
AMI3D03B—Inventory Transaction—Average Cost Replace (CR) (Review)	5-25
AMI3D03I—Inventory Transaction—Average Cost Replace (CR) (Review)	5-27
AMI3D04E—Inventory Transaction—Standard Cost Replace (CS) (Enter)	5-29
AMI3D04B—Inventory Transaction—Standard Cost Replace (CS) (Review)	5-31
AMI3D04I—Inventory Transaction—Standard Cost Replace (CS) (Review)	5-33
AMI3D05E—Inventory Transaction—Inventory Adjustment (IA) (Enter)	5-35
AMI3D05B—Inventory Transaction—Inventory Adjustment (IA) (Review)	5-38
AMI3D05I—Inventory Transaction—Inventory Adjustment (IA) (Review)	5-40
AMI3D06E—Inventory Transaction—Planned Manufacturing Issue (IP) (Enter)	5-42
AMI3D06B—Inventory Transaction—Planned Manufacturing Issue (IP) (Review)	5-45
AMI3D06I—Inventory Transaction—Planned Manufacturing Issue (IP) (Review)	5-47
AMI3D07E—Inventory Transaction—Miscellaneous Issue (IS) (Enter)	5-49
AMI3D07B—Inventory Transaction—Miscellaneous Issue (IS) (Review)	5-51
AMI3D07I—Inventory Transaction—Miscellaneous Issue (IS) (Review)	5-53
AMI3D08E—Inventory Transaction—Unplanned Component Issue (IU) (Enter)	5-55
AMI3D08B—Inventory Transaction—Unplanned Component Issue (IU) (Review)	5-58
AMI3D08I—Inventory Transaction—Unplanned Component Issue (IU) (Review)	5-60
AMI3D09E—Inventory Transaction—Interwarehouse Transfer (TW) (Enter)	5-62
AMI3D09B—Inventory Transaction—Interwarehouse Transfer (TW) (Review)	5-66
AMI3D09I—Inventory Transaction—Interwarehouse Transfer (TW) (Review)	5-68
AMI3D10E—Inventory Transaction – Interwarehouse Issue (IW) (Enter)	5-70
AMI3D10B—Inventory Transaction – Interwarehouse Issue (IW) (Review)	5-73
AMI3D10I—Inventory Transaction—Interwarehouse Issue (IW) (Review)	5-75
AMI3D11E—Inventory Transaction—Pick Complete by Item (PB) (Enter)	5-77

AMI3D11B—Inventory Transaction—Pick Complete by Item (PB) (Review)	5-79
AMI3D11I—Inventory Transaction—Pick Complete by Item (PB) (Review)	5-81
AMI3D12E—Inventory Transaction—Pick Complete by Item (PB)— Order Issues (Enter)	5-83
AMI3D13E—Inventory Transaction—Pick Complete by Order (PC) (Enter)	5-85
AMI3D13B—Inventory Transaction—Pick Complete by Order (PC) (Review)	5-87
AMI3D13I—Inventory Transaction—Pick Complete by Order (PC) (Review)	5-89
AMI3D14E—Inventory Transaction—Pick Complete by Order (PC)—Component Item Issues (Enter)	5-91
AMI3D14L—Inventory Transaction—Pick Complete by Order (PC)—Component Item Issues (Enter)	5-95
AMI3D15E—Inventory Transaction—Miscellaneous Receipt (RC) (Enter)	5-97
AMI3D15B—Inventory Transaction—Miscellaneous Receipt (RC) (Review)	5-100
AMI3D15I—Inventory Transaction—Miscellaneous Receipt (RC) (Review)	5-102
AMI3D16E—Inventory Transaction—Purchase Receipt to Dock (RD) (Enter)	5-104
AMI3D16B—Inventory Transaction—Purchase Receipt to Dock (RD) (Review)	5-107
AMI3D16I—Inventory Transaction—Purchase Receipt to Dock (RD) (Review)	5-109
AMI3D17E—Inventory Transaction—Purchase Receipt to Inspection (RI) (Enter)	5-111
AMI3D17B—Inventory Transaction—Purchase Receipt to Inspection (RI) (Review)	5-115
AMI3D17I—Inventory Transaction—Purchase Receipt to Inspection (RI) (Review)	5-117
AMI3D18E—Inventory Transaction—Production Receipt (RM) (Enter)	5-119
AMI3D18B—Inventory Transaction—Production Receipt (RM) (Review)	5-124
AMI3D18I—Inventory Transaction—Production Receipt (RM) (Review)	5-126
AMI3D19E—Inventory Transaction—Purchase Receipt to Stock (RP) (Enter)	5-128
AMI3D19B—Inventory Transaction—Purchase Receipt to Stock (RP) (Review)	5-133
AMI3D19I—Inventory Transaction—Purchase Receipt to Stock (RP) (Review)	5-135
AMI3D20E—Inventory Transaction—Component Return to Stock (RS) (Enter)	5-137
AMI3D20B—Inventory Transaction—Component Return to Stock (RS) (Review)	5-141
AMI3D20I—Inventory Transaction—Component Return to Stock (RS) (Review)	5-143

AMI3D21E—Inventory Transaction—Interwarehouse Receipt (RW) (Enter)	5-145
AMI3D21B—Inventory Transaction—Interwarehouse Receipt (RW) (Review)	5-148
AMI3D21I—Inventory Transaction—Interwarehouse Receipt (RW) (Review)	5-150
AMI3D22E—Inventory Transaction—Sales Shipment (SA) (Enter)	5-152
AMI3D22B—Inventory Transaction—Sales Shipment (SA) (Review)	5-155
AMI3D22I—Inventory Transaction—Sales Shipment (SA) (Review)	5-157
AMI3D23E—Inventory Transaction—Manufacturing Component Scrap (SC) (Enter)	5-159
AMI3D23B—Inventory Transaction—Manufacturing Component Scrap (SC) (Review)	5-162
AMI3D23I—Inventory Transaction—Manufacturing Component Scrap (SC) (Review)	5-164
AMI3D24E—Inventory Transaction—Manufacturing Order Scrap (SM) (Enter)	5-166
AMI3D24B—Inventory Transaction—Manufacturing Order Scrap (SM) (Review)	5-169
AMI3D24I—Inventory Transaction—Manufacturing Order Scrap (SM) (Review)	5-171
AMI3D25E—Inventory Transaction—Purchase Order Scrap (SP) (Enter)	5-173
AMI3D25B—Inventory Transaction—Purchase Order Scrap (SP) (Review)	5-176
AMI3D25I—Inventory Transaction—Purchase Order Scrap (SP) (Review)	5-178
AMI3D26E—Inventory Transaction—Scrap From Stock (SS) (Enter)	5-180
AMI3D26B—Inventory Transaction—Scrap From Stock (SS) (Review)	5-182
AMI3D26I—Inventory Transaction—Scrap From Stock (SS) (Review)	5-184
AMI3D27E—Inventory Transaction—Controlled Floor Stock Component Issue (Enter)	5-186
AMI3D28E—Inventory Transaction—Dispatch Materials Inquiry (Enter)	5-190
AMI3D29—Inventory Transaction, Batch Status	5-193
AMI3D31R—Inventory Transaction, Summary Review (Review)	5-195
AMI3D32R—Inventory Transaction, Detail Review (Review)	5-199
AMI3D33E—Inventory Transaction—Purchase Order Update Routings (UR) (Enter)	5-203
AMI3D33B—Inventory Transaction—Purchase Order Update Routings (UR) (Review)	5-206
AMI3D33I—Inventory Transaction—Purchase Order Update Routings (UR) (Review)	5-208
AMI3D34E—Inventory Transaction—Purchase Receipt to Dock (RD) (Enter)	5-210
AMI3D34B—Inventory Transaction—Purchase Receipt to Dock (RD) (Review)	5-213
AMI3D34I—Inventory Transaction—Purchase Receipt to Dock (RD) (Review)	5-215
AMI3D34R—Inventory Transaction—Purchase Receipt to Dock (RD) (Enter/Review)	5-217
AMI3D35E—Inventory Transaction—Purchase Receipt to Inspection (RI) (Enter)	5-219

AMI3D35B—Inventory Transaction—Purchase Receipt to Inspection (RI) (Review)	5-223
AMI3D35I—Inventory Transaction—Purchase Receipt to Inspection (RI) (Review)	5-225
AMI3D35R—Inventory Transaction—Purchase Receipt to Inspection (RI) (Enter/Review)	5-227
AMI3D36E—Inventory Transaction—Purchase Receipt to Stock (RP) (Enter)	5-229
AMI3D36B—Inventory Transaction—Purchase Receipt to Stock (RP) (Review)	5-233
AMI3D36I—Inventory Transaction—Purchase Receipt to Stock (RP) (Review)	5-235
AMI3D36R—Inventory Transaction—Purchase Receipt to Stock (RP) (Enter/Review)	5-237
AMI3D37E—Inventory Transaction—Purchase Order Vendor Accept (VA) (Enter)	5-239
AMI3D37B—Inventory Transaction—Purchase Order Vendor Accept (VA) (Review)	5-242
AMI3D37I—Inventory Transaction—Purchase Order Vendor Accept (VA) (Review)	5-244
AMI3D37R—Inventory Transaction—Purchase Order Vendor Accept (VA) (Enter/Review)	5-246
AMI3D38E—Inventory Transaction—Purchase Return to Vendor (VR) (Enter)	5-248
AMI3D38B—Inventory Transaction—Purchase Return to Vendor (VR) (Review)	5-252
AMI3D38I—Inventory Transaction—Purchase Return to Vendor (VR) (Review)	5-254
Option 2. Entry from Offline Files (AMIM30)	5-256
AXVOL1—Copy Offline File (Options)	5-257
Option 3. Transaction Register (AMIM30)	5-259
AMIC51—Transaction Register (Select)	5-260
AMIC52—Transaction Register Option	5-262
Option 4. Quality Control Transactions (AMIM30)	5-263
AMIQH1—Quality Control Transactions (Select)	5-264
AMIQH2—Quality Control Transactions (Enter)	5-266
AMIQH3—Quality Control Transactions (Enter)	5-268
AMIQH4—Quality Control Transactions (Enter)	5-270
AMIQH5—Quality Control Transactions (Enter)	5-273
AMIQH6—Quality Control Transactions (Status)	5-276
AMIQI1—Receipts Waiting Inspection (Select)	5-277
AMIQI2—Receipts Waiting Inspection (Select)	5-279
Option 5. Discrete Allocation Worksheet Generation (AMIM30)	5-281
AMINI1—Discrete Allocation Worksheet (Select)	5-282
Option 6. Discrete Allocation (AMIM30)	5-284
AMING0—Discrete Allocation (Select)	5-285
Change Session Defaults	5-287
AMING1—Manufacturing Discrete Allocation—By Date Option	5-289
AMING2—Component Item Allocation	5-291
AMING3—Discrete Allocation by Item Option	5-293
AMING4—Item Allocation to Approved Locations	5-295
AMING5—Maintain allocations for an item	5-297

Option 7. Miscellaneous Item Transactions (AMIM30)	5-298
AMINB1—Miscellaneous Item Transactions (Enter)	5-299
AMINB2—Miscellaneous Item Transactions (Status)	5-301
Option 8. Invoices to Goods Received Notes (AMIM30)	5-302
AMIGH1—Invoices to Goods Received Notes (Enter)	5-303
AMIGH2—Invoices to Goods Received Notes (Status)	5-305
Option 9. Advance Shipping Notices (AMIM30)	5-306
Work With function keys	5-307
AMIWSN01—Work with Advance Ship Notices	5-309
AMIRSN10—Confirm Delete of Advance Ship Notices	5-311
AMIDSN01—Display Ship Notice Detail	5-312
AMIWSI01—Display Ship Notice Items	5-313
AMICSI01—Change Ship Notice Item Detail	5-314
AMIDSI01—Display Ship Notice Item Detail	5-315
AMIISN10—Confirm Initial Receipt Notification	5-316
AMIVSN10—Confirm Verified Receipt Notification	5-317
How to resolve special situations	5-318
COM interface	5-318
Purchasing interface	5-318
Repetitive Interface	5-318
Attempting update without data	5-319
Saving files when not in batch mode	5-319
When allocated items are not picked	5-319
Reversing issues (non-floor stock components)	5-320
Reversing issues for Inspect on Receipt (IOR) components	5-322
Reversing issues for uncontrolled floor stock components	5-322
Moving rejected material	5-323
Processing inspect on receipt and QC items in a controlled warehouse	5-323
Backing out entries	5-326
Additional references	5-327
Chapter 6. Order Release and Closeout	6-1
Option 1. Order Entry (AMIM40)	6-2
AMI4Z1—Order Entry—Purchase/Manufacture—Data Entry Control	6-5
AMI4A1—Order Entry—Purchase/Manufacture (Select)	6-8
AMI4A2—Order Entry—Purchase (Enter)	6-10
AMI4A2R—Order Entry—Purchase (Review)	6-13
AMI4A3—Order Entry—Blanket Release (Enter)	6-15
AMI4A3R—Order Entry—Blanket Detail (Review)	6-17
AMI4A4—Order Entry—Manufacture (Enter)	6-19
AMVTIP01—Select Item Process	6-24
AMI4A4R—Order Entry—Manufacture (Review)	6-25
AMI4A4A—Order Entry—Component Availability (Enter)	6-27
AMI4A4AR—Order Entry—Component Availability (Review)	6-30
AMI4A5—Order Entry—Component Detail (Enter)	6-32
AMI4A5R—Order Entry—Component Detail (Review)	6-35
AMI4A6—Order Entry—Operation Detail (Enter)	6-37
AMI4A6R—Order Entry—Operation Detail (Review)	6-41
AMI4A7—Order Entry—Miscellaneous Detail (Enter)	6-43
AMI4A7R—Order Entry—Miscellaneous Detail (Review)	6-46
AMI4A8—Order Entry—Manufacture Split (Enter)	6-48
AMI4A8R—Order Entry—Manufacture Split (Review)	6-51
AMI4A9—Order Entry—Mfg Per Cust Order (Enter)	6-53

- AMI4A9R—Order Entry - Mfg Per Cust Order (Review) 6-58
- AMI4A10—Order Entry—Manufacture Split (Select) 6-60
- AMI4A11—Order Entry—Mfg Per Cust Order (Select) 6-61
- AMI4A12—Order Entry—Purchase/Manufacture (Status) 6-64
- AMI4A13—Order Entry—Operation Detail—Additional Description
(Enter) 6-66
- AMI4A13R—Order Entry—Operation Detail—Additional Description
(Review) 6-68
- AMI4A15—Order Entry—Milestone Group—Define/Remove (Enter) 6-70
- AMI4A15R—Order Entry—Milestone Group—Define / Remove (Review) 6-72
- Option 2. Order Release (AMIM40) 6-74
 - AMIC51—Order Release (Select) 6-76
 - AMIC52—Order Release Option 6-77
- Option 3. Order Release with Shop Packet (AMIM40) 6-78
 - AMIC51—Order Release (Select) 6-80
 - AMIC52—Order Release Option 6-81
- Option 4. Create Shop Packet (AMIM40) 6-82
- Option 1. Multiple Order Selection (AMIM44) 6-83
 - AMI4E0—Shop Packets—Multiple Orders 6-84
 - AMI4E1—Shop Packets—Multiple Orders—Date Range 6-86
 - AMI4E2—Shop Packets—Multiple Orders—Order Number Range 6-88
 - AMI4E3—Shop Packets—Multiple Orders—Report Detail 6-89
 - AMI4E4—Shop Packets—Multiple Orders—Additional Report Details 6-92
- Option 2. Individual Order Selection (AMIM44) 6-95
 - AMI4E6—Shop Packets—Individual Orders—Report Detail 6-96
 - AMI4E7—Shop Packets—Individual Orders—Additional Report Details 6-99
- Option 5. Order Closeout Selection (AMIM40) 6-102
 - AMI4S1—Order Closeout—Selection—Purchase/Manufacture 6-103
 - AMI4S2—Order Closeout—By Date—Purchase/Manufacture 6-106
- Option 6. Order Closeout Report and Purge (AMIM40) 6-108
 - AMC53A—Order Closeout Options—Select Site 6-109
 - AMC530—Order Closeout Options—Reporting and Purge 6-110
 - AMC531—Order Closeout Options—Work Center Analysis Report 6-112
 - AMC532—Order Closeout Options—Routing Current Values Update 6-114
 - AMC533—Order Closeout Options—Routing Current Values Update 6-115

- Chapter 7. Physical Inventory 7-1**
- Application tailoring options 7-3
- How to use physical inventory 7-4
 - Selecting items for counting 7-4
 - Entering actual counts 7-5
 - Analyzing the variance report 7-6
 - Updating the master files 7-7
 - Timing of physical and cycle counting 7-7
 - Counting by control group 7-9
- Option 1. Total Physical Selection (AMIM50) 7-10
 - AMI5A0—Physical Inventory Selection (Caution) 7-11
 - AMI5A1—Physical Inventory Selection Report Options 7-13
 - AMI5A2—Total Physical Selection—Controlled Warehouses Report
Options 7-15
 - AMI5A3—Total Physical Selection—Uncontrolled Warehouses Report
Options 7-17

Option 2. Cycle Count Selection (AMIM50)	7-19
AMI5A4—Cycle Count Selection—Controlled Warehouses Report	
Options	7-20
AMI5A5—Cycle Count Selection—Uncontrolled Warehouses Report	
Options	7-23
Option 3. Entry (AMIM50)	7-25
AMI5Z1—Physical Inventory Data Entry Control	7-26
AMI5E1—Physical Inventory (Enter)	7-28
AMI5E2—Physical Inventory (Review)	7-30
AMI5E3—Physical Inventory Entry Batch Status	7-32
How to resolve special situations	7-34
Option 4. Entry from Offline Files (AMIM50)	7-35
Option 5. Variance Report (AMIM50)	7-36
AMIC51—Variance Report (Select)	7-37
AMIC52—Variance Report Option	7-38
AMI56A—Variance Report	7-39
Option 6. Physical Inventory Update (AMIM50)	7-41
AMIC51—Physical Inventory Update (Select)	7-42
AMIC52—Physical Inventory Option	7-44
Chapter 8. Period Closing Activity	8-1
LIFO/FIFO valuations	8-2
Option 1. Period End / Year End Close (AMIM60)	8-4
AMI6A1—Closing Stock Status	8-5
AMI6A2—Closing Stock Status—Options	8-7
How to resolve special situations	8-10
Option 2. LIFO/FIFO Valuation Report (AMIM60)	8-11
AMI6D1—LIFO or FIFO Inventory Valuation—Report Options	8-12
AMI6D2—LIFO/FIFO Inventory Valuation—Report Options	8-14
Option 3. LIFO/FIFO Transaction Purge and List (AMIM60)	8-16
AMI6F1—LIFO or FIFO Transaction Purge and List Options	8-17
AMI6F2—LIFO/FIFO Transaction Purge and List Options	8-19
Option 4. LIFO/FIFO Maintenance (AMIM60)	8-21
AMI6H1—LIFO/FIFO Transaction Maintenance (Stop)	8-22
AMI6H2—LIFO or FIFO Transaction Maintenance (Warning)	8-23
AMI6H3—LIFO or FIFO Transaction Maintenance (Select)	8-24
AMI6H4—LIFO or FIFO Transaction Maintenance (Add)	8-25
AMI6H5—LIFO or FIFO Transaction Maintenance (Change)	8-27
AMI6H6—LIFO or FIFO Transaction Maintenance (Delete)	8-29
AMI6H7—LIFO or FIFO Transaction Maintenance (Status)	8-30
Chapter 9. File Maintenance	9-1
Application tailoring options	9-4
How to use online file maintenance	9-5
Restart considerations	9-5
Option 1. Item Master (AMIM70)	9-6
AMVT01—Item Master File Maintenance (Select)	9-8
AMVT02—Item Master File—General Information	
(Add/Change/Delete/Set Defaults)	9-11
AMVT03—Item Master File—Additional Information	
(Add/Change/Delete/Set Defaults)	9-17
AMVT04—Item Master File—Costing Information	
(Add/Change/Delete/Set Defaults)	9-20

AMVT05—Item Master File—Purchasing Information (Add/Change/Delete/Set Defaults)	9-25
AMVT06—Item Master File Maintenance (Status)	9-29
Option 2. Item Balance (AMIM70)	9-30
AMI7A1—Item Balance File Maintenance (Select)	9-31
AMI7A2—Item Balance File Maintenance (Add or Change)	9-33
AMI7A3—Item Balance File Maintenance (Delete, Suspend, or Reactivate)	9-40
AMI7A4—Item Balance File Maintenance (Add or Change)	9-41
AMI7A5—Item Balance File Maintenance (Add or Change)	9-44
AMI7A6—Item Balance File Maintenance (Status)	9-46
AMI7A7—Item Balance File Maintenance – Repetitive Manufacturing (Add or Change)	9-48
AMI7A8—Item Balance File Maintenance — Planning Information (Add or Change)	9-51
Option 3. Purchase Order Item Detail (AMIM70)	9-59
AMI7B1—Purchase Order Item Detail File Maint. (Select)	9-60
AMI7B2—Purchase Order Item Detail File Maint. (Change)	9-62
AMI7B3—Purchase Order Item Detail File Maint. (Status)	9-65
Option 4. Purchase Order Blanket Release Detail (AMIM70)	9-66
AMI7C1—P.O. Blanket Release Detail File Maint. (Select)	9-67
AMI7C2—P.O. Blanket Release Detail File Maint. (Add or Change)	9-69
AMI7C3—P.O. Blanket Release Detail File Maint. (Delete)	9-71
AMI7C4—P.O. Blanket Release Detail File Maint. (Status)	9-73
Option 5. Mfg Order Master (AMIM70)	9-74
AMI7D1—Manufacturing Order Master File Maintenance (Select)	9-76
AMI7D2—Manufacturing Order Master File Maintenance (Change)	9-77
AMI7D3—Manufacturing Order Master File Maintenance (Status)	9-81
Option 6. Mfg Order Detail (AMIM70)	9-82
AMI7E1—Manufacturing Order Detail File Maint. (Select)	9-83
AMI7E2—Manufacturing Order Detail File Maint. (Add or Change)	9-85
AMI7E3—Manufacturing Order Detail File Maint. (Delete)	9-88
AMI7E4—Manufacturing Order Detail File Maint. (Status)	9-89
Option 7. Shop Packet Reprint (AMIM70)	9-90
AMI4E6—Shop Packets—Individual Orders—Report Detail	9-91
AMI4E7—Shop Packets—Individual Orders—Additional Report Details	9-94
Option 8. Work with Calendars (AMIM70)	9-96
AMVWWC0R—Work With Calendars	9-97
AMVWWC1R1—Add Calendar Header	9-99
AMVWWC1R2—Add Calendar Header	9-100
AMVWWC1R3—Edit Calendar - Years	9-101
AMVWWC1R4—Change Calendar - Header	9-102
AMVWWC1R6—Change Calendar - Years	9-104
AMVWWC1R7—Change Calendar - Year	9-106
AMVWWC2R—Change Calendar - Month	9-107
Option 9. Location Control (AMIM70)	9-108
Option 1. Batch/Lot Quality Control Status (AMIM79)	9-109
AMIQF1—Batch/Lot Quality Control Status (Select)	9-110
AMIQF2—Batch/Lot Quality Control Status (Change)	9-112
AMIQF3—Batch/Lot Quality Control Status (Status)	9-114
Option 2. Batch/Lot Numbers (AMIM79)	9-115
AMIQK1—Batch/Lot Numbers (Select)	9-116
AMIQK2—Batch/Lot Numbers (Change)	9-118

AMIQK3—Batch/Lot Numbers (Status)	9-120
Option 3. Location Detail (AMIM79)	9-121
AMIXK1—Location Detail (Select)	9-122
AMICA1—Location Detail—Individual Locations (Select)	9-124
AMICA2—Location Detail—Individual Locations (Add or Change)	9-126
AMICA3—Location Detail—Individual Locations (Delete)	9-128
AMICB1—Location Detail—Multiple Locations (Select)	9-130
AMICB2—Location Detail—Multiple Locations (Add)	9-133
AMIZD1—Location Detail—Location Quantities (Select)	9-135
AMIZD2—Location Detail—Location Quantities (Add or Change)	9-138
AMIXK2—Location Detail (Status)	9-140
Option 4. Quality Control Areas (AMIM79)	9-141
AMICC1—Quality Control Areas (Select)	9-142
AMICC2—Quality Control Areas (Status)	9-144
Option 5. Bulk Store Areas (AMIM79)	9-145
AMICD1—Bulk Store Areas (Select)	9-146
AMICD2—Bulk Store Areas (Status)	9-148
Option 6. Location Quantity Audit (AMIM79)	9-149
AMICK1—Location Quantity Audit (Select)	9-150
Option 10. On-Order Quantity Audit (AMIM70)	9-151
Option 11. Allocation Quantity Audit (AMIM70)	9-152
Option 12. Work With Warehouses (AMIM70)	9-153
AMVW21—Work With Warehouses	9-154
AMVW22—Subset Warehouse	9-158
AMVW31—Create Warehouse	9-160
AMVW32—Change Warehouse	9-164
AMVW33—Display Warehouse	9-166
AMVW41—Delete Warehouse Confirmation	9-168
Option 13. Code Files (AMIM7D)	9-170
How you start code file maintenance	9-170
Code file maintenance panels	9-171
Option 14. Offline Maintenance (AMIM70)	9-181
AMIM7E—Offline Maintenance	9-182
AMVPOF—Offline Maintenance Options	9-183
Chapter 10. Transaction History	10-1
How to use transaction history	10-2
Option 1. Transaction History Inquiries (AMIM80)	10-5
AMIS11—Transaction History—Inquiry Selection (Select)	10-6
AMIS12—Transaction History—Summary by Item (Inquiry)	10-8
AMIS15—Transaction History—Summary by Item (Inquiry)	10-10
AMIS13—Transaction History—Summary by Item and Batch/Lot (Inquiry)	10-16
AMIS16—Transaction History—Summary by Item and Batch/Lot (Inquiry)	10-18
AMIS14—Transaction History—Summary by Order/Schedule (Inquiry)	10-22
AMIS17—Transaction History—Summary by Order/Schedule (Inquiry)	10-24
AMIS10—Transaction History—Summary by Line (Inquiry)	10-27
AMIS19—Transaction History—Summary by Line (Inquiry)	10-30
AMIS18—Transaction History—Detail (Inquiry)	10-33
Option 2. Transaction History Reports (AMIM80)	10-39
AMI2U1—Transaction History—Report Selection (Select)	10-40
AMI2U2—Transaction History—Report Options (Select)	10-42
AMI2U3—Transaction Analysis (Select)	10-45

AMI2U4—Batch/Lot Review (Select)	10-47
Option 3. Purge/Save Transaction History (AMIM80)	10-49
AMI2X1—Transaction History—Purge Options (Select)	10-50
AMIPDHF—Save History File to Tape	10-53
Option 4. Restore Transaction History (AMIM80)	10-54
AMI2R1—Transaction History—Restore Options (Select)	10-55
AMI2R2—Restore Inventory Transaction History (Select)	10-56
Option 5. Delete Restored Transaction History (AMIM80)	10-58
Option 6. Delete Transaction History Archive Records (AMIM80)	10-59
AMI2V1—Delete History Archive Records (Select)	10-60
Chapter 11. Work with Inventory Management	11-1
Option 1. Work with Items (AMIM90)	11-3
Work with Items panels	11-4
Option 2. Work with Item Warehouses (AMIM90)	11-6
Work with Item Warehouses panels	11-7
Option 3. Work with Item Locations (AMIM90)	11-9
Work with Item Locations panels	11-10
Option 4. Work with Discrete Allocations By Item (AMIM90)	11-11
Work with Discrete Allocations By Item panels	11-12
Option 5. Work with Discrete Allocations By Item/Location (AMIM90)	11-13
Work with Discrete Allocations By Item/Location panels	11-14
Option 6. Work with Warehouses (AMIM90)	11-15
Work with Warehouses panels	11-16
Option 7. Work with Warehouse Locations (AMIM90)	11-17
Work with Warehouse Locations panels	11-18
Option 8. Work with Warehouse Items (AMIM90)	11-19
Work with Warehouse Items panels	11-20
Option 9. Work with Location Items (AMIM90)	11-21
Work with Location Items panels	11-22
Chapter 12. Manufacturing Order History	12-1
Option 1. Inquiry (AMIMA0)	12-2
AMIH11—Order History Select Orders (Select)	12-3
AMM771—Source of Demand	12-7
AMIH12—Order History Subset Selection (Select)	12-10
AMIH13—Order History Production Summary (Inquiry)	12-12
AMIH14—Order History Accounting Summary (Inquiry)	12-16
AMIH15—Order History Select Materials (Inquiry)	12-20
AMIH16—Order History General Material (Inquiry)	12-23
AMIH17—Order History Production Material (Inquiry)	12-25
AMIH18—Order History Accounting Material (Inquiry)	12-27
AMIH19—Order History Select Operations (Inquiry)	12-29
AMIH1A—Order History General Operation (Inquiry)	12-32
AMIH1B—Order History Production Operation (Inquiry)	12-35
AMIH1C—Order History Accounting Operation (Inquiry)	12-38
AMIH1D—Order History Operation Descriptions (Inquiry)	12-41
AMIH1E—Order History Select Miscellaneous Charges (Inquiry)	12-43
AMIH1F—Order History General Miscellaneous Charge (Inquiry)	12-45
Option 2. Reports (AMIMA0)	12-47
AMIH22—Order History Report—Select Orders (Select)	12-48
AMIH21—Subset Selection (Select)	12-51

Option 3. Archive Processing (AMIMA0)	12-53
AMIH41—Order History Archive Processing (Select)	12-54
AMIH42—Order History Archive Inquiry (Inquiry)	12-57
Chapter 13. General Ledger Interface	13-1
Where to start	13-1
IM transaction types for General Ledger interface	13-2
Costing methods	13-4
Accounting classes	13-5
Rules, rule priorities, and simulation	13-6
Account types: charge, offset, and variance	13-6
How rules and rule priorities are used to assign accounts	13-8
Setting up your rules	13-10
Setting up your rule priorities	13-11
Shortcuts to setting up rules and rule priorities	13-11
Simulating account assignments	13-12
Converting transactions into ledger entries	13-13
Assigning accounts to transactions	13-13
Editing assigned accounts	13-13
Creating ledger entries	13-15
Option 1. Account Assignment Rule Management (AMIMB0)	13-22
Option 2. Transaction Account Assignment (AMIMB0)	13-24
Option 3. General Ledger Management (AMIMB0)	13-25
Option 1. Maintain Rules (AMIMB1)	13-27
AMIG501—Specify Rules to Maintain (Select)	13-28
AMIG502—Maintain Rules	13-31
AMIG503—Confirm Delete of Rules	13-35
AMIG506—Create Account Assignment Rule	13-37
AMIG507—Change Account Assignment Rule	13-42
AMIG508—Copy Account Assignment Rule	13-47
AMIG510—Display Account Assignment Rule	13-52
AMIG511—Specify Rules to Copy	13-57
AMIG512—Specify Rules to Delete	13-60
Exit Maintain Rules	13-63
Option 2. Maintain Rule Priorities (AMIMB1)	13-65
AMIG601—Specify Priorities to Maintain (Select)	13-66
AMIG602—Maintain Rule Priorities	13-68
AMIG603—Confirm Delete of Rule Priorities	13-72
AMIG606—Specify Priorities to Copy (Select)	13-74
AMIG607—Specify Priorities to Delete	13-76
Exit Maintain Rule Priorities	13-78
Option 3. Simulate Account Assignments (AMIMB1)	13-79
AMIG401—Simulate Account Assignments	13-80
Option 4. Maintain Intercompany Accounts (AMIMB1)	13-84
AMVG101—Specify Intercompany Accounts to Maintain	13-85
AMVG102—Maintain Intercompany Accounts	13-87
AMVG103—Confirm Delete of Intercompany Accounts	13-90
AMVG106—Specify Intercompany Accounts to Copy	13-92
AMVG107—Specify Intercompany Accounts to Delete	13-93
Exit Maintain Intercompany Accounts	13-94
Option 5. List Rules (AMIMB1)	13-95
AMIG801—List Rules	13-96
Option 6. List Rule Priorities (AMIMB1)	13-98
AMIG901—List Rule Priorities	13-99

Option 7. List Intercompany Accounts (AMIMB1)	13-101
AMVG201–List Intercompany Accounts	13-102
Option 1. Assign Accounts (AMIMB2)	13-104
AMIG101–Assign Accounts	13-105
AMIG102–Specify Transactions to Assign	13-109
Option 2. Edit Assigned Accounts (AMIMB2)	13-111
AMIG201–Edit Assigned Accounts	13-112
AMIG202–Edit Assigned Accounts	13-115
Change Accounts	13-119
Split Assigned Accounts	13-122
AMIG206–Specify Transactions to Edit	13-124
Exit Edit Assigned Accounts	13-127
Option 1. Create Ledger Entries (AMIMB3)	13-128
AMIG301–Create Ledger Entries	13-129
Select Summarization Options	13-133
Specify Primary Company	13-135
Transaction Header	13-136
AMIG304–Specify Ledger Entries to Create	13-138
Option 2. Print Temporary General Ledger (AMIMB3)	13-141
AMV601–Temporary General Ledger Print	13-142
Option 3. Print and Clear Temporary General Ledger (AMIMB3)	13-144
AMV601–Temporary General Ledger Print and Clear	13-145
Option 4. Maintain Interface Control File (AMIMB3)	13-147
AMVLI01–Maintain Interface Control File	13-148
AMVLI02–Maintain Interface Control File	13-152
Exit Maintain Interface Control File	13-154
Option 5. Maintain General Ledger Master (AMIMB3)	13-155
AMV041—General Ledger Maintenance (Select)	13-156
AMV042—General Ledger Maintenance (Add, Change, or Delete)	13-158
AMV043—General Ledger Maintenance (Status)	13-160
Option 6. List Chart of Accounts (AMIMB3)	13-162
AMV021–Chart of Accounts (Options)	13-162
Chapter 14. Report descriptions	14-1
ABC Analysis Report (AMI2H)	14-9
Account Assignment Register (AMIGZ)	14-11
Advance Shipping Notice/Receiving Advice (AMIPSN0P)	14-15
Annual Usage Extension (AMI2G)	14-16
Batch/Lot Numbers (AMIQK)	14-17
Batch/Lot Quality Control Status (AMIQF)	14-18
Batch/Lot Review—Reports (AMISI1, AMISI2, AMISI3)	14-19
Bulk Store Areas (AMICD)	14-21
Calendar File Load (AMI7H1)	14-22
Contents of Bulk Store Area (AMIWE)	14-23
Contents of QC Area (AMIWG)	14-24
Control Total—Item Balance File (AMI2N)	14-26
Cost Total Sheet—Closed Orders (AMI4K2)	14-28
Create Ledger Entries Register (AMIGX)	14-29
Customer Order Shortage Report—Follow-up Analysis (AMI4W3)	14-33
Cycle Count/Physical Inventory List for Controlled/Uncontrolled Warehouses (AMI5B)	14-35
Cyclic QC Due/Overdue (AMIQB3)	14-37
Discrete Allocation Worksheet by Item—Batch/Lot (AMINK)	14-39
Discrete Allocation Worksheet by Item—FIFO Date (AMINL)	14-41

Discrete Allocations (AMING)	14-43
Edit Assigned Accounts Register (AMIG2)	14-45
Empty Locations in Warehouse (AMIWD)	14-49
General Ledger Master Entry/Change listing (AMV04)	14-50
Goods Received Notes (AMIGF2)	14-52
Goods Received Notes Since Last Report (AMIGF1)	14-53
Intercompany Accounts List (AMVGY)	14-54
Inventory Analysis Report—Financial (AMI2K1)	14-56
Inventory Analysis Report—Stock Movement (AMI2K2)	14-59
Inventory Reorder Report (AMI2M)	14-61
Inventory Stock Status Review (AMI2B)	14-64
Inventory Transaction Batch Control Update (AMI3X)	14-66
Inventory Transaction Batch Extract (AMI3E)	14-67
Inventory Transaction Edit List (AMI3B)	14-68
Inventory Transaction Register—Deleted/Error Items (AMV3G)	14-71
Inventory Transaction Register—Processed Items (AMV3G)	14-72
Inventory Valuation (AMISQ, AMISR, AMISS)	14-77
Inventory Valuation and Variance Report (AMI5H1)	14-79
Invoices on Goods Received Notes (AMIGG2)	14-82
Invoices on Goods Received Notes Since Last Report (AMIGG1)	14-83
Invoices to Goods Received Notes (AMIGH)	14-84
Item Balance File List (AMI2T)	14-85
Item Balance Edit Error List—AMK11	14-97
Item Balance File Offline Edit List (AMK11)	14-99
Item Balance File Maintenance Edit List (AMI7A)	14-101
Item Balance Load Audit Report (AMK12)	14-103
Item Master File Maintenance (AMVTO)	14-104
Item Master File Report—Brief (AMVE40)	14-107
Item Master File Report—Complete (AMVE41)	14-110
Item Master File Report—Current or Standard Costs (AMVE42)	14-112
Item Master File Report—Purchase Item Detail (AMVE43)	14-114
Item Master File Report—Purchase Item Description (AMVE44)	14-116
Item Base Price List (AMVB6PFR)	14-117
Item QC and Batch/Lot Controls (AMIQU)	14-118
Item Shortage Report—Follow-Up Analysis (AMI4Q3)	14-120
Item Shortage Report—Order Release (AMI4Q2)	14-125
Items Selected for Physical Inventory/Cycle Count—No Count Entered (AMI5H2)	14-128
LIFO/FIFO Inventory Valuation Report (AMI6E)	14-130
LIFO/FIFO Transaction File Edit (AMI6I)	14-132
LIFO/FIFO Transaction File Maintenance Edit List (AMI6H)	14-133
LIFO Transaction Reconciliation (AMI6G)	14-135
Location Detail (AMIXK)	14-137
Location Detail—Individual Locations (AMICA)	14-138
Location Detail—Location Quantities (AMIZD)	14-140
Location Detail—Multiple Locations (AMICB)	14-142
Location Quantity/Item Balance Audit (AMIC21)	14-144
Location Stock Status—Detail (AMISD)	14-146
Location Stock Status—Summary Report (AMISF)	14-148
Locations and Contents (AMIWH)	14-150
Maintain Intercompany Accounts Register—AMVG1	14-152
Maintain Interface Control File Register (AMVLI)	14-154
Maintain Rule Priorities Register (AMIG6)	14-157

Maintain Rules Register (AMIG5)	14-160
Manufacture Order Shortage Report-Follow-Up Analysis (AMI4W4)	14-164
Manufacturing Items Waiting Inspection (AMIQB1)	14-168
Manufacturing Order Detail File Maintenance Edit List (AMI7E)	14-169
Manufacturing Order Master Maintenance Edit List (AMI7D)	14-172
Manufacturing Order Status Report (AMI2E)	14-175
Manufacturing Orders Closed (AMI4O2)	14-178
Manufacturing Orders Released (AMI4O1)	14-181
Material Picking List-By Order (AMI911)	14-184
Material Picking List-Consolidated (AMI912)	14-187
Material Picking List-By Order (AMI913)	14-189
Material Picking List-Consolidated (AMI914)	14-192
Material Picking List-By Order (AMI915)	14-194
Material Picking List-Consolidated (AMI916)	14-197
Mfg Allocation Audit Exception List/Run Statistics (AMI9A2)	14-199
Miscellaneous Item Stock List (AMINE)	14-200
Miscellaneous Item Transaction Register (AMINB)	14-201
Order Closeout-Production Report (AMI4K1)	14-202
Order Closeout Selection by Date Audit List-Purchase/Manufacture (AMI4T)	14-208
Order Closeout Selection by Order Audit List-Purchase/Manufacture (AMI4S)	14-210
Order Closeout Summary and Material Purge Audit List (AMI4U)	14-212
Order Entry Batch Control Update-Purchase/Manufacture (AMI4D)	14-213
Order History-Accounting Detail (AMIH34)	14-214
Order History-Accounting Summary (AMIH32)	14-221
Order History-Archive Content (AMIH4A)	14-223
Order History-Orders Archived/Deleted/Erased (AMIH45)	14-225
Order History-Orders Restored/Recovered (AMIH48)	14-226
Order History-Production Detail (AMIH33)	14-227
Order History-Production Summary (AMIH31)	14-234
Order History Reports-Selected Orders/Schedules (AMIH30)	14-237
Order Release Batch Control Update-Purchase/Manufacture (AMI4X)	14-238
Order Release Batch Extract and B/M Explosion (AMI4M)	14-239
Order Release Summary and Material Detail Update (AMI4N)	14-240
Order Shortage Report-Order Release (AMI4W2)	14-241
Outstanding GRNs (AMIGB2)	14-244
Outstanding GRNs by Vendor (AMIGB3)	14-245
Outstanding GRNs with QC Inspection Complete (AMIGB1)	14-246
P.O. Blanket Release Detail Maintenance Edit List (AMI7C)	14-247
Period-End/Year-End Inventory Stock Status (AMI6C)	14-249
Physical Inventory Attach Final Totals (AMI5F)	14-251
Physical Inventory Batch Control Update (AMI5X)	14-252
Physical Inventory Edit Listing/Final Totals (AMI5C1/AMI5C2)	14-253
Physical Transaction Register-Approved/Unapproved Error Items (AMI5J)	14-254
Physical Transaction Register-Approved/Unapproved Processed Items (AMI5J)	14-255
Pick Requirements Audit Exception List (AMI9D)	14-257
Purchase/Mfg On-Order Audit Exception List-Run Statistics (AMI9C2)	14-258
Purchase Order Item Detail Maintenance Edit List (AMI7B)	14-259
Purchase Order Status Report (AMI2D)	14-261
Purchase Orders Closed/Released (AMI4R)	14-265

Purchased Items Waiting Inspection (AMIOB2)	14-268
Quality Control Areas (AMICC)	14-269
Quality Control Transactions (AMIQH)	14-270
Reject Items Waiting Disposition (AMIQD)	14-273
Rule Priorities List (AMIGR)	14-274
Rules List (AMIGS)	14-277
Schedule History (AMIH35)	14-281
Shop Packet Worksheet (AMI4H1)	14-285
Shop Packet Worksheet (AMI4H2)	14-291
Shop Packet Worksheet (AMI4H3)	14-296
Shop Packet Worksheet (AMI4I1)	14-302
Shop Packet Worksheet (AMI4I2)	14-308
Shop Packet Worksheet (AMI4I3)	14-313
Temporary General Ledger Listing (AMV61)	14-318
Transaction Analysis—Detail (AMICU2)	14-320
Transaction Analysis—Summary (AMICU1)	14-322
Transaction History—Multiple Items (AMI2Z3)	14-325
Transaction History—Purge Options (AMI2W1)	14-329
Transaction History—Single Item (AMI2Z2)	14-330
Chapter 15. Forms	15-1
File maintenance forms	15-2
Purchase Order Item Detail file maintenance (IM-12)	15-3
Purchase Order Blanket Release Detail file maintenance (IM-13)	15-5
Manufacturing Order Master file maintenance (IM-14)	15-7
Manufacturing Order Detail file maintenance (IM-15)	15-9
Item Balance file maintenance (IM-16A)	15-11
Item Balance file maintenance (IM-16B)	15-13
Item Balance file maintenance (IM-16C)	15-15
Item Balance file maintenance (IM-16D)	15-17
Item Master file maintenance—general information (PM-01)	15-19
Item Master file maintenance—additional information (PM-02)	15-21
Item Master file maintenance—costing information (PM-03)	15-23
Item Master file maintenance—purchasing information (PM-04)	15-25
Item Balance/Item Plan offline file maintenance form	15-27
Item Balance/Item Plan offline file maintenance (IM-18A)	15-28
Item Master offline file maintenance forms	15-31
Item Master offline file maintenance—A-record (PM-26A)	15-32
Item Master offline file maintenance—B-record (PM-27)	15-35
Item Master offline file maintenance—C-record (PM-28)	15-37
Accounting controls and audits form	15-39
Batch log (IM-22)	15-40
Chapter 16. Accounting controls and audits	16-1
Keeping control	16-1
System controls	16-2
Setting up and using controls	16-3
Appendix A. Offline file load and data entry	A-1
Gathering the information	A-2
Creating an offline file	A-2
File format	A-2
File name	A-2
Viewing and printing file record layouts	A-3

Entering information into the offline files	A-3
Loading offline files into IM	A-4
Entering changes and deletions	A-4
Item Master (ITMDKT) file	A-5
Appendix B. Summary of IM functions	B-1
Appendix C. Entry/release process for orders and schedules	C-1
Overview	C-1
Manufacturing orders	C-2
Purchase orders	C-3
Intersite orders	C-4
Manufacturing schedules	C-4
Summary	C-6
Details	C-7
Appendix D. Menu option lockout	D-1
Appendix E. Transaction update tables	E-1
File Updating	E-32
Cost Adjustment (CA) Transaction Entry	E-32
Cyclic Item QC Complete (CQ) Transaction Entry	E-32
Average Cost Replace (CR) Transaction Entry	E-33
Standard Cost Replace (CS) Transaction Entry	E-33
Inventory Adjustment (IA) Transaction Entry	E-33
Planned Manufacturing Issue (IP) Transaction Entry	E-34
Miscellaneous Issue (IS) Transaction Entry	E-35
Unplanned Component Issue (IU) Transaction Entry	E-36
Interwarehouse Issue (IW) Transaction Entry	E-37
Manufactured Item QC complete (MQ) Transaction Entry	E-37
Pick Complete by Item (PB) Transaction Entry	E-38
Pick Complete by Order (PC) Transaction Entry	E-38
Purchased Item QC Complete (PQ) Transaction Entry	E-38
Miscellaneous Receipt (RC) Transaction Entry	E-39
Purchase Receipt to Inspection (RI) Transaction Entry	E-40
Purchase Receipt to Dock (RD) Transaction Entry	E-41
Production Receipt (RM) Transaction Entry	E-42
Purchase Receipt to Stock (RP) Transaction Entry	E-44
QC Item Reject (RQ) Transaction Entry	E-46
Component Return to Stock (RS) Transaction Entry	E-47
Interwarehouse Receipt (RW) Transaction Entry	E-49
Sales Shipment (SA) Transaction Entry	E-50
Manufacturing Component Scrap (SC) Transaction Entry	E-51
Manufacturing Order Scrap (SM) Transaction Entry	E-51
Purchase Order Scrap (SP) Transaction Entry	E-52
Scrap from Stock (SS) Transaction Entry	E-53
Interwarehouse Transfer (TW) Transaction Entry	E-53
Purchase Order Update Routings (UR) Transaction Entry	E-53
Purchase Order Vendor Accept (VA) Transaction Entry	E-54
Purchase Order to Vendor (VR) Transaction Entry	E-55
Appendix F. Using work with panels	F-1
Where to go from a work with list	F-1
Work with Items options	F-2

Inventory Management commands	F-3
Display commands	F-3
Work with commands	F-3
Appendix G. Security areas	G-1
Appendix H. Automated job submission for IM	H-1
Command guidelines	H-2
Application APIs	H-3
OLMITM - Offline Item Maintenance	H-4
Purpose	H-4
Optional Parameters	H-4
OLMITMWHM - Offline Item Warehouse Maintenance	H-6
Purpose	H-6
Optional Parameters	H-7
PRTIMTXR - Print IM Transaction Register	H-8
Purpose	H-8
Optional Parameters	H-8
CLRIMTGL - Print and Clear IM Temporary General Ledger	H-10
Purpose	H-10
Optional Parameters	H-11
Glossary	GL-1
Index	IN-1

Chapter 1. Introducing Inventory Management application

This chapter contains general information you need to know about what Inventory Management does and how it works:

What Inventory Management does	1-1
How information flows between IM and other applications.....	1-3
How information flows within Inventory Management	1-8
Common MAPICS XA concepts	1-9
Using eWorkPlace with MAPICS XA documentation.....	1-18

Some concepts and features that are common to most of the MAPICS XA applications are discussed in two other books: *Getting Started with MAPICS XA* and *Planning and Installing MAPICS XA*.

- Menus and displays
- Graphics support
- Group Job support
- Master file searches
- Audits and controls
- Security.

What Inventory Management does

You can use the MAPICS XA Inventory Management (IM) application to assist in improving the control of inventory. The objectives of Inventory Management are to improve your decision-making by providing up-to-date information and reducing inventory, while maintaining tight operating and audit controls. By meeting these objectives, you can allocate inventory costs efficiently while maintaining satisfactory customer service levels, thereby getting maximum return on inventory investment.

The IM application lets you stock and control items in multiple warehouses and in multiple locations within a warehouse. IM helps regulate warehouse inventory by identifying and tracking batch/lots, controlling shelf life of raw materials and end items, tracking and recording quality control items, and reporting history. As a result, inventory is easily controlled and dock-to-stock transactions are simplified.

IM can monitor the quality control status of items regardless of their location in the warehouse, while also maintaining quality control holding areas if required. The flexible warehouse location designation scheme allows for efficient use of storage.

IM provides the record keeping of inventory accounting and the ability to perform perpetual inventory functions. It provides management with the cost values and analysis required for sound inventory decisions and the ability to effectively release and track manufacturing and purchase orders, allowing control of both on-hand and on-order inventory positions.

IM also provides management with features that are significant in the maintenance of inventory that requires multiple location stock control. Reports of empty locations can be printed to assist in better management of storage space. The discrete allocation function allows items from a specific location or a particular batch/lot or FIFO date to be reserved for specific manufacturing or customer orders.

You can enter receipts, issues, adjustments, and other transactions on an item-by-item basis at your work location. The application checks each transaction for validity

(for example, a valid item number and warehouse), and, if the transaction passes all edits, updates the master files. An inventory transaction register, printed periodically, shows the transactions processed.

The Inventory Management Main Menu

To become familiar with the main functions of IM, look at the Inventory Management Main Menu. See Appendix C, "Entry/release process for orders and schedules" for a summary of the IM application functions.

```

AMIM00                                Inventory Management                *****
                                      Main Menu

Type option or command; press Enter.

  1. Inquiry >>
  2. Reports >>
  3. Transaction Processing >>
  4. Order Release and Closeout >>
  5. Physical Inventory >>
  6. Period Closing Activity >>
  7. File Maintenance >>
  8. Transaction History >>
  9. Work with Inventory Management >>
 10. Manufacturing Order History >>
 11. General Ledger Interface >>

==> _____

F3=Exit      F4=Prompt   F9=Retrieve  F10=Actions
F11=Job status F12=Return  F22=Messages

```

Option 1. Inquiry. Use this option to show the contents of the master files.

Option 2. Reports. Use this option to print all report listings available in Inventory Management except those included in Transaction Processing, Order Release and Closeout, Physical Inventory, Period Closing Activity, and Transaction History.

Option 3. Transaction Processing. Use this option to enter receipts, issues, adjustments, quality control, discrete allocation, and other transactions on an item-by-item basis and print the Inventory Transaction Register.

Option 4. Order Release and Closeout. Use this option to enter and release purchase and manufacturing orders and print shop packets.

Option 5. Physical Inventory. Use this option to record the actual count of items that exist in inventory.

Option 6. Period Closing Activity. Use this option to perform a variety of closing activities for inventory reporting.

Option 7. File Maintenance. Use this option to add, change, or delete information in the master files.

Option 8. Transaction History. Use this option to show or print the contents of the Transaction History file and to perform Transaction History file operations.

Option 9. Work With Inventory Management. Use this option to quickly look up and work with information about your items, warehouses, locations, allocations, and discrete allocations.

Option 10. Manufacturing Order History. Use this option to inquire, print information about, and archive manufacturing orders and Repetitive schedules.

Option 11. General Ledger Interface. Use this option to establish the rules to capture and convert business activity data to ledger entries that are automatically reflected in ledger reports. You can classify items, manufacturing orders, and production facilities for accounting purposes.

How information flows between IM and other applications

Inventory Management can interface with other MAPICS XA applications. Each interface provides additional function to either Inventory Management or the interfacing application.

Following are the applications that can interface with Inventory Management.

- **Accounts Payable (AP):** When AP is installed and interfacing, the actual item cost from vendor invoices is passed to IM in the form of cost adjustment transactions.
- **Capacity Requirements Planning (CRP):** This application requires that either IM and PC&C or IM and PDM be installed and interfacing. CRP extracts combinations of order types from other applications and schedules the projected work load against work center capacity to identify those work centers that are overloaded or under loaded.
- **Contract Accounting (CA):** You can charge issues of stock items to manufacturing orders and, later, roll them to contracts using the tailored inventory costing method (standard, average, or last).
- **Customer Order Management (COM):** When this application is interfacing with IM, a customer order number can be entered to create a manufacturing order for each release in the customer order. Customer orders released from a controlled warehouse must include the location and, where required, batch/lot and FIFO date information. When goods are shipped to a customer, the on hand balance is updated and a transaction register is printed. When COM is installed and interfacing, discrete allocations against open customer orders are made in COM rather than in IM.
- **Electronic Commerce (EC):** IM can receive Advance Shipping Notices (ANSI X.12 856 or EDIFACT DESADV transactions) and send Receiving Advices (ANSI X.12 861 transactions).
- **Enterprise Product Data Management (EPDM):** When this application is activated, you can use site and revision-specific product definitions (items, bills, routings, and facilities) to enter and release manufacturing orders, enabling differences in manufacturing processes by item within site. By defining a site ID in the warehouse master record, you can specify whether engineering records are to be used from PDM or from EPDM when entering a manufacturing order. A blank site indicates PDM engineering records are to be used; a specific site ID indicates EPDM engineering records are to be used.
- **Forecasting (FCST):** This application requires that IM be installed and interfacing. FCST uses various codes in the Item Plan file and lead times from the Item Balance file. Optionally, FCST supplies order point and safety stock quantities to IM.
- **General Ledger (GL):** This application handles the accounting for all inventory activities that affect inventory balances and value.

- International Financial Management (IFM): This application has changed all of MAPICS to use units and natures to identify general ledger accounts instead of the traditional account number. This means any account number in IM is shown as two fields: a unit and a nature. When entered, IFM edits the unit, the nature, and the unit/nature combination.
- InterSite Logistics (ISL/MISL): This application requires that MRP and COM be installed. ISL provides IM with a listing of intersite (inter-warehouse) transfer orders. IM provides ISL with on-hand and location data.
- Knowledge Based Configurator (KBC): This application allows you to configure products to the requirements of your customers during order entry. IM supports the release of the manufacturing orders required to build the configured product. You also can stock configured items in IM and identify the particular configuration using a unique lot number.
- Maintenance Management System (MMS): This application provides support for planning and tracking the activity and costs of maintaining and repairing plant facilities and equipment. Purchase receipt transaction processing in IM is used to enter receipt information to MRO items. The item receipt information is passed back to MMS to update their inventory records. MMS then sends back ledger entries to be processed through the IM General Ledger interface.
- Master Production Schedule Planning (MPSP): This application requires that IM, PDM, and MRP be installed and interfacing. IM supplies MPSP with item balance and order status information, as well as period sales and production receipts, for its planning runs and inquiries.
- Material Requirements Planning (MRP): This application requires that IM and PDM be installed and interfacing. MRP allows the release of planned manufacturing and purchase orders through IM, instead of requiring you to schedule and manually enter each released order.

MRP provides IM a listing of open orders that should be rescheduled or canceled. IM supplies MRP with on-hand, on-order, and allocation data.
- Procurement Management (PM): When this application is installed, PM retrieves information such as units of measure, unit prices, default accounts, and buyers from IM to create requisitions, quotes, and purchase orders. You also do vendor accept (VA) transactions, and reopen and complete purchase orders in PM. PM then automatically creates IM transactions for IM.
- Product Data Management (PDM): When this application is installed and interfacing, the Product Structure file can be used to allocate materials for manufacturing orders. Material allocation records can also be generated for specific configurations of products with standard options by using an option selection number (S-number). Without PDM, the data for component material allocations must be entered manually.
- Production Control and Costing (PC&C): This application requires that IM be installed and interfacing. IM releases orders, processes component material issue transactions, and processes receipt transactions into inventory from work in process. Operation detail and description records and miscellaneous cost records used by PC&C can be created either when orders are released through IM or later through PC&C displays. If PDM is also installed and interfacing, the routing, routing description, and production facility files can be used to automatically create operation detail and description records during order release.
- Production Monitoring and Control (PM&C): When PM&C is installed and interfacing, it can collect transactions from the shop floor using a bar code reader to enter inventory transactions. It also adds the function to print bar codes

on the Shop Packet Worksheets, Picking Lists, and Labor Tickets and print bar codes on physical inventory tags.

- **Purchasing (PUR):** When this application is installed and interfacing, purchase order release and closeout are done in PUR, but all purchase receipt processing is done through IM transactions. If PDM is installed and interfacing, information can be placed in the Routing file to further help define the purchase order receiving process. Also, the Inventory Reorder report can optionally create purchase orders or requisitions in PUR for order point items.
- **Repetitive Production Management (REP):** This application requires that IM and PDM be installed and interfacing. IM processes selected transactions to update location and item balance status. Order close and purge information is sent from REP to IM.
- **Sales Analysis (SA):** Any sales transactions entered in IM are sent to SA if that item has been flagged as a sales analysis item and SA is interfacing with IM.

Inventory Management interfaces

IM sends information to...

- CA** Charges stock items to manufacturing at the tailored inventory costing method.
- COM** Manufacturing order date availability and sales, quantity, costing, and tax code information; updates customer order release records with number of manufacturing order released for the line item.
- CRP** Calendar, open order, and order detail information.
- EC** Receiving advice.
- FCST** Warehouse and calendar information.
- GL** Journal entries from transaction processing.
- IFM** General ledger transactions.
- ISL/MISL** On-hand, location, lead-times, and allocation data.
- KBC** The manufacturing order number for the configured item and the locations where the configured item is stocked.
- MM** Warehouse information, item warehouse information, location information, location quantity information, and manufacturing information.
- MMS** Purchase receipt information for MRO items.
- MPSP** Calendar, item balance, and order status, period sales, and production receipts for planning runs; lead times and planning process codes.
- MRP** On-hand, on-order, and allocation data; lead times, planning process codes, and calendar information.
- OBPM** On-hand, on-order, and allocation data; lead times, and calendar information.
- PC&C** Operation and material detail, description records, and miscellaneous cost records when orders are released; releases orders and processes receipts into inventory from WIP and component issues; calendar information.
- PM** Default buyer, account number, stocking and purchase units of measure and conversion factor, and unit price for use on requisitions, quotes, and purchase orders.

- PM&C** Summary order information and detailed component allocations.
- PUR** Purchase order status via purchase order receipt transactions. Requisitions and purchase orders for order point items.
- REP** Calendar information; schedule control information; defines line supply locations and onhand allocations.
- SA** Sales and quantity information by updating or adding items in the Item Interface file during sales transaction processing.

IM receives information from...

- AP** Cost adjustment transactions.
- COM** Posts items into inventory balance records when orders are entered or maintained; updates allocation quantities in ITEMBL; ability to perform manufacturing per customer order release; intrawarehouse transactions for end item kit components from pick confirmations; sales shipment transactions from shipment confirmations; updates on-hand quantities in ITEMBL when orders are released; location quantities and allocations to location detail and location allocation files.
- EC** Advance shipping notices (despatch advices).
- EPDM** Item process, bill of material, and routing information and item characteristics for manufacturing orders.
- FCST** Order point and safety stock quantities.
- IFM** Cost adjustment transactions.
- ISL/MISL** Intransit inventory and adjustments and intersite order status.
- KBC** Configuration information, including the configured item cost, when a manufacturing order is released for a customer order.
- MM** Updates the on-hand quantities through Physical Inventory (PH) transactions and updates receipt information through Receipt to Dock (RD), Receipt to Inspection (RI), Receipt to Stock (RP), and Return to Vendor (VR) transactions.
- MMS** Work order, task, and cost code information to store with the receipt transaction; general ledger transactions which pass through IM's General Ledger Interface file.
- MPA** Cycle count updates.
- MRP** Selects manufacturing and purchase orders for release; updates orders that were rescheduled or canceled.
- OBPM** Added, changed, complete, or closed manufacturing orders.
- PC&C** Component scrap information.
- PDM** Bill of material and costing information; Item master information.
- PM** Vendor accept (VA), Reopen and Complete (RP/PQ) transactions.
- PM&C** Updates component issues and receipts.
- PUR** Purchase order information; updates the quantities on order; cost adjustments from invoice entry.
- REP** Inventory management history and schedule data base; schedule close and purge information; updates the component issues and receipts.

CA	Charges stock items to manufacturing at the tailored inventory costing method.
COM	Manufacturing order date availability and sales, quantity, costing, and tax code information; updates customer order release records with number of manufacturing order released for the line item.
CRP	Calendar, open order, and order detail information.
EC	Receiving advice.
FCST	Warehouse and calendar information.
GL	Journal entries from transaction processing.
IFM	General ledger transactions.
ISL/MISL	On-hand, location, lead-times, and allocation data.
KBC	The manufacturing order number for the configured item and the locations where the configured item is stocked.
MMS	Purchase receipt information for MRO items.
MPSP	Calendar, item balance, and order status, period sales, and production receipts for planning runs; lead times and planning process codes.
MRP	On-hand, on-order, and allocation data; lead times, planning process codes, and calendar information.
PC&C	Operation and material detail, description records, and miscellaneous cost records when orders are released; releases orders and processes receipts into inventory from WIP and component issues; calendar information.
PM	Default buyer, account number, stocking and purchase units of measure and conversion factor, and unit price for use on requisitions, quotes, and purchase orders.
PM&C	Summary order information and detailed component allocations.
PUR	Purchase order status via purchase order receipt transactions. Requisitions and purchase orders for order point items.
REP	Calendar information; schedule control information; defines line supply locations and onhand allocations.
SA	Sales and quantity information by updating or adding items in the Item Interface file during sales transaction processing.
IM receives information from...	
AP	Cost adjustment transactions.
COM	Posts items into inventory balance records when orders are entered or maintained; updates allocation quantities in ITEMBL; ability to perform manufacturing per customer order release; intrawarehouse transactions for end item kit components from pick confirmations; sales shipment transactions from shipment confirmations; updates on-hand quantities in ITEMBL when orders are released; location quantities and allocations to location detail and location allocation files.
EC	Advance shipping notices (despatch advices).
EPDM	Item process, bill of material, and routing information and item characteristics for manufacturing orders.
FCST	Order point and safety stock quantities.

IFM	Cost adjustment transactions.
ISL/MISL	Intransit inventory and adjustments and intersite order status.
KBC	Configuration information, including the configured item cost, when a manufacturing order is released for a customer order.
MMS	Work order, task, and cost code information to store with the receipt transaction; general ledger transactions which pass through IM's General Ledger Interface file.
MPA	Cycle count updates.
MRP	Selects manufacturing and purchase orders for release; updates orders that were rescheduled or canceled.
PC&C	Component scrap information.
PDM	Bill of material and costing information; Item master information.
PM	Vendor accept (VA), Reopen and Complete (RP/PQ) transactions.
PM&C	Updates component issues and receipts.
PUR	Purchase order information; updates the quantities on order; cost adjustments from invoice entry.
REP	Inventory management history and schedule data base; schedule close and purge information; updates the component issues and receipts.

How information flows within Inventory Management

Figure 1-1 summarizes the flow of information in the Inventory Management (IM) application. The numbers in the following discussion refer to this figure.

1. Shipments, receipts, adjustments, orders, quality control transactions, miscellaneous item transactions, and discrete allocations are handled during the IM transaction processing, allocation processing, and order release cycles.
2. The lot extract reports, shortage reports, released order audit lists, and the transaction register are printed.
3. At period-end, period-to-date totals are reset. At year-end, both year-to-date and period-to-date totals are reset. The Stock Status report and the Inventory Valuation report can be printed.
4. Many other IM reports and file listings can be printed on request.

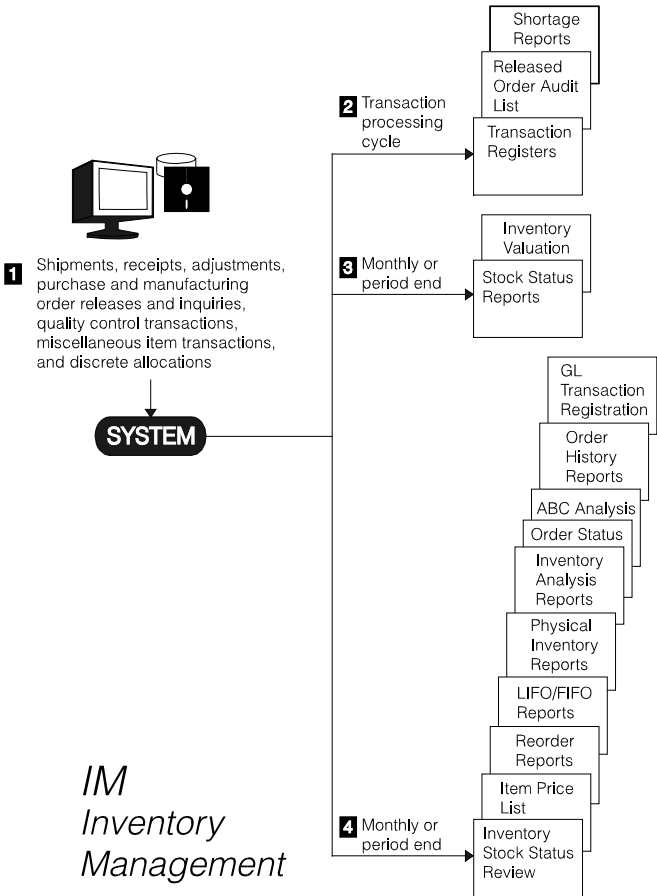


Figure 1-1. Flow of information within Inventory Management

Common MAPICS XA concepts

In MAPICS XA, a standard system structure supports the application and system functions. Most of the structure elements, for example, using menus and displays and group job support are discussed in *Getting Started with MAPICS XA*. Some of the structure elements are discussed here.

Data entry and update methods

Data entry is the process of getting your transaction data, such as receipts, into the system. Updating is the process of applying the entered transactions to your master files.

You can enter transactions in two ways: from a work station (up to four transactions at a time) or from a batch that has been entered on an offline device. The first way is referred to as interactive or online data entry; the second way is called offline data entry. In either case, the application edits the transactions and indicates any errors it detects.

You can update the master files with the entered transactions in two ways: immediately after they have been entered and edited (up to four transactions at a time) or by the batch. The first way is called immediate or online update; the second way is called batch update. Immediate update requires interactive data entry and applies the transactions to the master files as soon as they are entered. Batch update uses an entire batch of transactions that is entered either interactively or from an offline device and then edited and held in a transaction file until the update operation is requested.

The primary advantage of interactive data entry with immediate update is that master files are up-to-the-minute; the response to an inquiry, for example, takes into account the transaction that was entered seconds ago. The primary advantage of batch update is that transactions can be processed whenever you choose—such as during periods when the system is not busy answering inquiries and editing transactions.

Batches

A batch, as indicated in the preceding discussion, is a group of transactions that are to be processed together and applied to the master files. The transactions can be grouped by type (such as receipts), by order of occurrence (such as one batch for each 100 transactions), or by some other category that suits your business.

The transactions are entered into the system from a work station or from an offline device. Either way, they become records in a transaction file in disk storage.

The application keeps track of each batch's status and shows it on the Data Entry Control display. This display, therefore, is the starting place for any interactive data entry, whether for entering a new batch of transactions or for working on an existing batch that was entered interactively or from an offline device.

For Inventory Management, using the Data Entry Control display is a preliminary step for each of the following operations:

- Inventory transaction entry
- Order entry
- Physical inventory transaction entry.

Master file searches

MAPICS XA has master file searches that you can use to look up information in various master files. To begin a search, type a question mark (?) in a field that supports searching. The eligible fields are identified in the individual display descriptions in this book.

Files

Inventory Management uses four types of files:

- System Control file
- Master files
- General Ledger Interface files
- Work files.

System Control file

The System Control (SYSCTL) file provides a special place to store relatively unchanging information that is used by more than one application or operation. Among the important contents of the System Control file are:

- Control information needed to run your application (ranges, dates, limits, percentages, and so on)
- Application tailoring options.

Master files

Unlike work files, the master files are permanently stored on your system. The information used by IM is maintained in the following master files:

- Allocation Quantity (SLALLO) file
- Calendar (CALNDR) file
- Goods Received Notes (SLGRNS) file
- Intersite Order (XFRORD) file
- Item Balance (ITEMBL) file
- Item Master (ITEMAS) file
- Item Plan (ITMPLN) file
- LIFO/FIFO Transaction Save (LIFITR) file
- Location Detail (SLDATA) file
- Location Quantity (SLQNTY) file
- Manufacturing Order Detail (MODATA) file
- Manufacturing Order History Master (MOHMST) file
- Manufacturing Order History Archive Control (MOHCTL) file
- Manufacturing Order History Archive Reference (MOHREF) file
- Manufacturing Order History Detail (MOHDTA) file
- Manufacturing Order History Miscellaneous Charge (MOHMSC) file
- Manufacturing Order History Operation Description (MOHDSC) file
- Manufacturing Order History Operation Detail (MOHRTG) file
- Manufacturing Order Master (MOMAST) file
- Manufacturing Order Operations Detail (MOROUT) file
- Purchase Order Blanket Release Detail (POBLKT) file
- Purchase Order Item Detail (POITEM) file
- Purchase Order Master (POMAST) file
- Receipts to Inspection (SLRCPT) file
- Transaction History (IMHIST) file
- Transaction History Archive Control (IMHCTL) file
- Warehouse Master (WHSMST) file.

Allocation Quantity file. This file contains records of items for which discretionary allocations have been made.

Calendar file. The Calendar file is used to calculate dates from lead times. This file is shared with MRP, PC&C, FCST, MPSP, PUR, REP, and PMC.

Goods Received Notes file. This file contains goods received notes records and their corresponding invoice numbers.

Intersite Order file. This file contains one record for each released intersite order. IM gets the current status of the order from this file. IM shares this file with MPSP, ISL/MISL, and MRP.

Item Balance file. The Item Balance file contains one record for each unique item number per warehouse. Each record includes data for managing inventory, such as quantity on hand, quantity on order, historical usage, and lead time. This file is shared with COM, PDM, PUR, MRP, FCST, MPSP, PC&C, REP, and PMC. Refer to “Build-to-order items (Feature/Option items)” on page 2-6 for more information concerning items with associated features and options.

Item Master file. The Item Master file contains at least one record, the A-record, for each unique item number. The A-record has two types of information: general item and pricing information. The general item information includes fields such as item description, item type, and stocking unit of measure. The pricing information includes fields such as base price and price unit of measure. If PDM with product costing or MRP is installed and interfacing, the Item Master file will have a B-record following the A-record for each item. The B-record has costing and MRP information, such as standard lot size, and cost technique code. The C-record shows Purchasing information about the item. Examples of this information include buyer and account, delivery quantity tolerance percents and vendor evaluation weighted percents.

The Item Master file is also used by FCST, COM, PDM, MPSP, MRP, PC&C, SA, PUR, REP, and other MAPICS XA applications.

Note: If EPDM is activated, file maintenance is done through the Item Revision file in the EPDM application.

Item Plan file. This file contains planning information for each item in the Item Balance file. The planning information includes such fields as the forecasting code and demand time fence. Maintenance is done through the Item Balance file maintenance option. The Item Plan file is also used by MPSP, MRP, and FCST.

LIFO/FIFO Transaction Save file. This file contains one record for every receipt and cost adjustment transaction. Each record contains information such as transaction date, quantity, and amount which is used in the LIFO/FIFO inventory valuation function.

Location Detail file. This file contains all valid location records for all controlled warehouses. This file is shared with REP.

Location Quantity file. This file contains the item quantities stored in each location, along with the item quantity control status. This file is shared with REP.

Manufacturing Order Detail file. The Manufacturing Order Detail file contains one record for each manufacturing component material allocation. Each record includes such information as manufacturing component item number, description, quantity required, quantity issued, and required date. This file is shared with MRP, PC&C, MPSP, REP, and PMC.

Manufacturing Order History Master file. The Manufacturing Order History Master file contains one record for each purged manufacturing order and schedule. Each record includes such information as item number, description, quantity ordered, quantity scrapped, quantity completed, and schedule dates.

Manufacturing Order History Archive Control file. The Manufacturing Order History Archive Control file contains one record for each archive of manufacturing order history. Each record includes such information as closeout date range on the archive, archive date, time, and number.

Manufacturing Order History Archive Reference file. The Manufacturing Order History Archive Reference file contains one record for each manufacturing order and schedule that has been archived in history. Each record includes such information as item number and description, warehouse, reference, and closeout date.

Manufacturing Order History Detail file. The Manufacturing Order History Detail file contains one record for each manufacturing component material allocation for purged manufacturing orders and REP schedules. Each record includes such information as manufacturing component item number, description, quantity required, quantity issued, and required date.

Manufacturing Order History Miscellaneous Charge file. The Manufacturing Order History Miscellaneous Charge file contains one record for each miscellaneous charge record for purged manufacturing orders. Each record includes such information as miscellaneous charge number, miscellaneous standard and actual costs and quantities. This file is used only if PC&C is installed and interfacing with IM.

Manufacturing Order History Operation Description file. The Manufacturing Order History Operation Description file contains one record for each additional description for routing operations for purged manufacturing orders or REP schedules. Each record includes such information as operation sequence number, line number, and description. This file is used only if PC&C is installed and interfacing with IM.

Manufacturing Order History Operation Detail file. The Manufacturing Order History Operation Detail file contains one record for each manufacturing operation for purged manufacturing orders or REP schedules. Each record includes such information as operation number, description, standard and actual quantities and hours. This file is used only if PC&C is installed and interfacing with IM.

Manufacturing Order Master file. The Manufacturing Order Master file contains one record for each open manufacturing order or schedule. Each record includes such information as item number, description, quantity ordered, quantity scrapped, quantity completed, and schedule dates. The file is shared with MRP, PC&C, MPSP, REP, and PMC.

Manufacturing Order Operation Detail file. The Manufacturing Order Operation Detail file (MOROUT) contains all the manufacturing operations (detail records) for the manufacturing order data base. The operations describe the job steps of the order: location, status, duration, operation costs. You can also choose to add to this file standard information (location, duration, costs) to use to compare against actual transactions.

Purchase Order Blanket Release Detail file. The Purchase Order Blanket Release Detail file contains one record for each open blanket release line item. Each record contains such information as release number, quantity for this release, due date, and quantities received at dock, inspected, and stocked. This file is shared with PUR, MRP, MPSP, PM&C, and REP.

Purchase Order Item Detail file. The Purchase Order Item Detail file contains one record for each open purchase order line item. Each record includes such information as item number, description, quantity ordered, quantity received, and due date. This file is shared with AP, MPSP, MRP, PM&C, PUR, and REP.

Purchase Order Master file. The Purchase Order Master file contains one record for each open purchase order. When PUR is not installed and interfacing, the file only

includes such information as order number, order status code, date order actually placed, and last transaction activity date. When PUR is installed and interfacing, the file includes all the information required to print the heading section of purchase orders. This file is shared with PUR and MRP.

Receipts to Inspection file. The Receipts to Inspection file contains a record for each item/location awaiting the initial inspection for a manufacturing or purchase order.

Transaction History file. The Transaction History file contains all history records for processed transactions. This file is shared with REP.

Transaction History Archive Control file. The Transaction History Archive Control file contains one record for each group of saved transactions that have been extracted from the Transaction History file.

Warehouse Master file. The Warehouse Master file (WHSMST) contains one record for each unique warehouse. Each record contains information about how the warehouse is defined such as controlled or uncontrolled, selling or non-selling, and planning or demand. To enable IM to EPDM, it also contains a site identifier record to indicate whether PDM or EPDM engineering records are used. This file is shared with FCST, IM, ISL/MISL, MPSP, MRP, PM, PM&C, PUR, REP, PCC, and EPDM if it is activated.

Master files created by other applications. Several master files created by other applications are used by Inventory Management only if those applications are installed and interfacing:

- Customer Order Detail (MBADREP) file (COM)
- Customer Order Master (MBC6REP) file (COM)
- Item Interface (ITEMSA) file (SA)
- Product Structure (PSTRUC) file (PDM)
- Routing Description (RTGDSC) file (PDM)
- Routing (ROUTNG) file (PDM)
- Production Facility (WRKCTR) file (PC&C).

If EPDM is activated and IM is enabled to EPDM, IM also uses the following EPDM files. See the EPDM documentation for information on those files.

- Item Enterprise (ITMENT)
- Item Revision A (ITMRVA)
- Product Structure Header (PSTHDR)
- Product Structure Detail (PSTDTL)
- Routing Header (RTGHDR)
- Routing Operations (RTGOPR)
- Item Process (ITMPRC).

General Ledger Interface files

The General Ledger Interface files contain accounting records used for the General Ledger application interface.

- Intercompany Accounting (INTACC) file
- Inventory Account Assignment (INVACC) file
- Inventory Account Assignment Sequence (INVSEQ) file
- Inventory Management Control (INVCTL) file
- Inventory Management Transaction (INVTXN) file

Intercompany Accounting file. This file is used to define the account numbers for each company in your installation that is to receive balancing ledger entries for multiple company transactions. Multiple company transactions can be created from the account assignment rules you define to the application. This file is available only if you chose multiple company processing during installation and tailoring.

Inventory Account Assignment file. This file contains rules used to assign account numbers to transactions that are posted to the General Ledger application.

Inventory Account Assignment Sequence file. This file contains rule priorities. When you define rules using a combination of fields, their priority stored on this file determines the rule used to assign account numbers to transactions.

Inventory Management Control file. This file contains a record for each transaction type saved in the Inventory Management Transaction (INVTXN) file for the General Ledger interface. The records have control totals that are updated each time a transaction is created in the INVTXN file. Control totals are kept for records that have assigned or unassigned account numbers, assigned account numbers that are not valid, and assigned account numbers for different companies.

Inventory Management Transaction file. This file contains transactions saved for the General Ledger interface. These transactions are defined in the Ledger Interface Transaction Description (LITDES) file and captured during transaction entry. The transactions remain in the Inventory Management Transaction file until they are assigned account numbers and posted to the General Ledger application.

Work files

Work files are created by IM to hold information for processing. Work files include:

Stock Status Extract file. This file contains accumulated usage figures from the Item Balance file selected for printing the Period-End/Year-End Inventory Stock Status report.

Major reports

The application provides extensive report options. The major reports printed by this application are:

- Stock Status Report shows the condition of items in inventory at period-end or year-end.
- Stock Status Review shows the status of all or selected items in inventory. You can also select to print the report with only those items that have a negative on hand balance. The report is available on request.
- Inventory analysis reports show the financial aspects and movement of items in inventory.
- Physical Inventory List prints in various sequences for all or selected groups of items to simplify periodic inventory counts. The same reports are used for cycle count items.
- LIFO/FIFO reports show, by individual item receipts, the value of inventory.
- Item and order shortage reports show the material not available to meet current released demands at order release.

- Follow-up shortage reports show availability of material for all open orders by required date.
- Inventory Reorder Report shows items that should be replenished and suggests the quantity to order.
- Open order status reports show the status of open purchase orders and manufacturing orders.
- ABC Analysis Report highlights inventory items that represent the largest investments.
- Transaction history reports show all inventory transactions that occur within user-specified limits.
- Items waiting inspection reports show manufactured or purchased items waiting quality control inspection on receipt or all items due or overdue for cyclic quality control inspection.
- Reject Items Waiting Disposition Report lists all rejected items waiting for disposal or rework at a given warehouse or in all warehouses.
- Location stock status reports show detail information of all items normally held in stock at a given warehouse or in all warehouses or show summary information of all items currently in stock, at a given warehouse or in all warehouses.
- Transaction analysis–batch/lot review reports show detail or summary information of transaction values based on standard, last, or average costing methods or a list of transaction history by item, batch/lot, or order.
- Outstanding goods received notes reports show all outstanding GRNs, all outstanding GRNs by vendor, or outstanding GRNs for items that have completed quality control inspection.
- Invoices on goods received notes reports provide a list of GRNs matched with invoices since the last report request or between two specified dates.
- Inventory Valuation report lists the value of any items in selected warehouses and item classes at standard cost, last cost, or average cost.
- Empty Locations report lists all empty locations in specified warehouses and locations.
- Locations and Contents report lists the contents of one or more locations in specified warehouses.
- Contents of Quality Control Area report lists the contents of the quality control areas in specified warehouses.
- Contents of Bulk Store Area report lists the contents of the bulk store areas in specified warehouses.
- Item QC and Batch/Lot Controls report lists the quality and batch/lot control codes for specified items.
- Goods received notes listings show all GRNs entered since the report was last requested or GRNs entered between two specified dates.
- Order History reports show manufacturing orders and REP schedules that have been purged from the open order files and exist in history.
- Rules List shows the rules defined for assigning accounts to transactions.
- Rule Priorities List shows the account assignment information for selected transactions.

- Temporary General Ledger Listing is used to verify that all transactions for the month or accounting period are posted correctly.

Inquiries

In addition to reports, you may want to have certain current information shown at your work station. An action that causes information to appear is called an inquiry. Use the IM Inquiry menu (AMIM10) to inquire about:

- Item Master file data
- Item Balance file data
- Open purchase and manufacturing orders
- Manufacturing allocations
- Item availability
- Item Balance sales history
- Location detail by item/warehouse
- Warehouse summary by item
- Item detail by location
- Transaction history
- Discrete allocations
- Manufacturing Order History.

Lockups

Under certain conditions, IM programs may lock up (that is, remain input-inhibited) with other programs. These lockups generally occur when two or more work stations attempt to access the same record simultaneously. Although these situations are relatively infrequent, they can occur when files are being updated. Lockups can occur during transaction entry (immediate update mode), order release, or file maintenance.

To avoid a lockup situation, it is recommended that you schedule file maintenance such that it does not run simultaneously with transaction entry or order release. However, if you choose to perform these functions simultaneously and lockups occur, it is recommended that you cancel the file maintenance program (AMI7B, AMI7C, AMI7D, or AMI7E), which will unlock any other input-inhibited programs. Do not cancel any other programs. After the lockup has been resolved, restart the file maintenance function. Note that you will need to reenter the changes for the record that was displayed when the lockup occurred.

Automated job submission

MAPICS provides the ability to execute MAPICS batch jobs from outside of the MAPICS menu structure for Inventory Management (IM) application tasks listed below:

Item Master Offline Maintenance	AMIM7E-01 and AMEM55-01
Item Balance Offline Maintenance	AMIM7E-02
IM Transaction Register	AMIM30-03
IM Print and Clear Temporary General Ledger	AMIMB3-03

MAPICS provides the necessary architecture modules to enable application tasks to be initiated from sources other than the MAPICS menu system and to be initiated in a batch subsystem. In order to provide the most flexibility, the Cross Application Support (CAS) portion of this activity is done using a series of Application Program Interfaces (APIs). The end user cannot execute these APIs at an AS/400 command line; they must be called by a batch or interactive program.

Refer to Appendix H, "Automated job submission for IM" for more information on the APIs.

Using eWorkPlace with MAPICS XA documentation

eWorkPlace (eWP) is the Microsoft®, Windows™-based graphical user interface for MAPICS XA. The eWP windows co-exist with the MAPICS XA character-based displays, called Host screens. If you are using eWP, you can view the corresponding Host screen for any eWP window, if necessary.

Note: If you have modified a Host screen, the GUI default is used. The default GUI feature can be enabled or disabled.

The user's guides and help text contain instructions that reference the host MAPICS XA screens (called panels and displays) rather than the eWP windows.

To understand how a Host screen instruction relates to an action on a eWP window, it is helpful to look for text on a window control that corresponds to the instruction. For example, **Cancel** on a button and on a File pull-down corresponds to the user guide instruction "use **F12=Cancel** to return to the previous display".

Note: For the instruction "press **Enter**", the corresponding control on an eWP window is an **OK** button.

The following table shows other examples of instructions from the documentation and the corresponding actions you take on the eWorkPlace window.

Documentation instructions	eWorkPlace actions
To change the details of a vendor, type 2 next to the vendor and press Enter .	Select a vendor, then select Change or type C from the List menu or select Change using the right mouse. Click the OK button.
To create a vendor, use F6 .	Select Create on the Functions menu or click the Create button.
Position to command. If you want to skip to a particular command, type the full or partial command.	Type the full or partial command in the position to entry field and click the Position button.

Documentation instructions	eWorkPlace actions
Type the information requested and press Enter .	Type values in or select values for the entry fields and click the OK button.
Type the information requested and use a function key.	Type values in or select values for the entry fields and click a button or select an action on the Functions pull-down.
Use the Item Master maintenance display to.....	Use the Item Master maintenance window to.....

I For more information about eWP, see *Getting Started with eWorkPlace*.

Contents	Index	Exit
--------------------------	-----------------------	----------------------

Chapter 2. Managing Inventory Management

This chapter contains information about using Inventory Management (IM) features and functions in your business operations.

Before you begin Inventory Management operations	2-1
Daily operations.....	2-3
Inventory Management functions and calculations.....	2-3
Manufacturing Order History.....	2-44
EPDM activation	2-45
General Ledger interface	2-47
InterSite Logistics (ISL/MISL) interface	2-48
How to get started with IM.....	2-48
Using Electronic Commerce (EC) for EDI transactions.....	2-56

Before you begin Inventory Management operations

- Analyze the tasks involved in managing this application.
- Establish the entry method or combination of entry methods you will use.
- Determine how you will group source material into batches.
- Establish the accounting controls to be used and determine who will be responsible for applying them.
- Set the sequence for performing your operations.
- Schedule the work.

Analyze the tasks

Examine how you will use IM. Then divide the work into several major tasks and decide who is to perform each task. This activity helps you organize your entire operation and focus on one major task at a time. For example, in IM you can:

- Enter transactions
- Print reports
- Release orders
- Take physical inventory
- Close a period
- Maintain master files
- Analyze transaction history.

Choose an entry method

The system accepts information entered directly from a work station or from an offline device. To use offline entry, your company must have access to an offline data entry device, or IM must be receiving transactions from Accounts Payable (AP). You must decide which method or combination of methods is best for your operation.

You must also consider whether you will update your master files using immediate or batch update. All data entered offline is applied to the master files using batch update. If all your updates must occur immediately, you may not want to use offline entry. Immediate update requires interactive data entry.

Note: All master files can be maintained online (interactively) with immediate update. As you type in changes, the data in the master file is updated and available for processing. Item Master and Item Balance/Item Plan files also can be maintained offline.

Determine how to group source material into batches

Have readily available all of the information that you need to enter. To determine your data entry needs, review the transaction displays. Review the ways in which you receive transaction information—whether over the telephone, on filled-in forms, or by other means. Ensure that your information is complete and in a form that can be readily entered into the system.

Also, decide if the way you receive and handle information should affect how you set up batches. For example, when creating batches by transaction type, you may find that the source material is a mixture of different transaction types that are not received at the same time each day. You may need to wait until the next day to enter them, thus affecting your processing schedule. The way you set up batches determines the application tailoring options to be selected during installation.

Establish controls

Accounting controls are critical to your business, not only for accurate reporting of income and taxes but also for maintaining efficiency and guarding against erroneous information. For example, comparing the control totals taken on each batch of transactions to the totals determined by IM eliminates errors early in the cycle.

Determine who provides the batch totals and use these totals to fill out control forms. Use of control totals and examples of their completion are described in Chapter 16 “Accounting controls and audits”.

Your operating procedures should include the use of inquiry displays and other features of the application to check information being entered or that is already on file.

Set the sequence

First, create the master files using the file load functions. Reports can then be run and inquiries made against the files to reflect inventory status. These functions can occur at any time after file load.

Releasing and closing orders is unique to your operation; therefore, you must determine when orders are to be acted upon. Transaction entries are made when the transactions occur or are accumulated into batches for entry. Physical inventory and closing activities are done at distinct calendar times, rather than before or after specific functions. File maintenance is done when any specific data must be updated or added.

Schedule the various procedures and set deadlines for receiving worksheets and delivering completed reports. Then, as you add new applications, you will be able to plan your work in an orderly manner.

Schedule the work

The first scheduling step is to determine the order in which operations are to be accomplished. In some cases, only one sequence is acceptable. For example, master files must be updated before transactions are applied to them. In other cases, a choice is available, but one option may be more desirable than another for your particular operation. If any of the on-demand reports are to be produced regularly, include them in your schedule. Try to run unscheduled work after required processing is completed. This minimizes interruptions and provides the most current information. Review the schedule with your associates to ensure feasibility.

Daily operations

At the start of each work day, take these actions to provide an accurate transition from the previous day's operations:

- Determine the status of the previous day's work. Use the batch status inquiry displays for transaction entry, order release, and physical inventory to determine which batches are still open and if any printing has been done for them. Check the previous day's reports for outstanding work that must be completed before entering new transactions.
- Plan the day's work:
 - Are any batches not entered from the previous day?
 - Are any transactions not batched?
 - Do all batches have hash totals?
 - Is any special processing required today?
 - Is it scheduled?
 - What reports are to be printed today?
 - Are new items to be added to the files?
 - Is any preparation for month-end processing or other work scheduled?
- Check the other departments or applications. Conditions in other parts of the company or in the system can affect your work for the day. If you are aware of them, you can better plan your workload.

Inventory Management functions and calculations

Before you get started with IM, you need to understand how the application performs various functions. This knowledge is essential in answering the application tailoring questionnaire and making decisions about structuring daily operations.

These functions are grouped under five major headings:

1. Item definition
 - Phantoms
 - Floor stock considerations
 - Miscellaneous items
 - Build-to-order items
 - User sequence number
 - Item costing (standard, average, and last)
2. Warehouse definition
 - Multiple warehouse support

- Controlled and uncontrolled warehouses
 - Multiple locations per item
 - Multiple items and multiple lots per location
 - Stock location scheme
 - Special locations
 - Quality control areas
 - Bulk store areas
 - Work-in-process store area.
3. Inventory management functions
- Material dispatch
 - Uncontrolled floor stock
 - Controlled floor stock
 - Backflushing
 - Update average lead time
 - Batch/lot control
 - Quality control (QC) inspection
 - Inspection on receipt (IOR)
 - FIFO date control
 - Goods received notes
 - Negative on hand balances.
4. Order management functions
- Purchase order release
 - Manufacturing order release
 - In quantity
 - Component allocations.

 - Final assembly order definition (S-number)
 - Immediate bill of material explosion
 - Discrete allocations
 - Manufacturing order quantity adjustments using deviation quantity
 - Order point
 - Economic order quantity (EOQ)
 - Operation yield
 - Milestone group reporting
 - Alpha factor/averaging calculations
 - Manufacturing and purchasing lead times
 - Manufacturing order history.
5. Miscellaneous features
- Year-end processing
 - Offline data entry support
 - General ledger interface.

Item definition

The following topics discuss some of the ways you can code your items for Inventory Management functions.

Phantoms

A phantom (Item Type Code = 0) is an item that is not normally allocated to a manufacturing order; however, its components are allocated. With this exception, the MAPICS XA applications treat phantoms the same as an assembly or subassembly

(Item Type Code = 1) and a fabricated item (Item Type Code = 2) are treated. Phantom items are normally defined for the convenience of material planning or engineering.

The following examples show how phantoms can be used:

- To store, in one product structure, a group of loose parts (such as screws, washers, nuts, rivets, etc.) common to many assemblies. It is common to send these parts to the shop floor in a plastic bag, often referred to as a kit.
- To represent an engineering schematic drawing that is not stocked in inventory and for which you do not place replenishment orders.
- To represent a subassembly that is used either for repair service or in production without first being received into stock and reissued to the shop floor.
- To represent all components (raw material, purchased or fabricated items, or assemblies) common to a product line. The common components are structured in a modular bill of material, whose item number is a phantom.

A phantom can be a component of another phantom. A phantom can be an option; however, it cannot be a feature. (For more information about features and options, see the "Features and options" section in the *Product Data Management User's Guide*.)

Normally, a phantom item does not have an on hand balance because, in most cases, a phantom item is nothing more than a list of common parts. However, a phantom can have an on hand balance if, for example, the phantom is defined as a subassembly that is immediately consumed by the next production operation and a production overrun of the phantom occurs. In that case, you would want to store the excess items. Therefore, IM does not prevent a phantom from having an on hand quantity greater than zero.

Also, no restrictions prevent processing inventory transactions for phantoms. When a phantom is encountered as a component during the bill of material explosion when an order is being released, and there is a sufficient on hand quantity of the phantom which has not been allocated, the required quantity is allocated, and the components of the phantom are ignored.

Note: If MPSP is installed and interfacing and you use production families for planning or inquiry, each production family is a phantom. The system plans orders for the end items assigned to the family but not for the family itself.

Floor stock considerations

The Floor Stock Code field in the Item Balance file contains U for uncontrolled floor stock items or C for controlled floor stock items. Uncontrolled floor stock items tend to be low cost parts such as screws, nuts, and rivets. They are issued to the shop floor in bulk with a Miscellaneous Issue transaction and used to satisfy the needs of multiple manufacturing orders. The cost of uncontrolled floor stock components is included in the manufacturing order's material cost. The usage of uncontrolled floor stock components is accounted for during order release by the system generated IX transaction.

You designate an item as controlled floor stock if you want to use backflushing logic to relieve component inventory when the parent item is received from production. Controlled floor stock items may be found in either a discrete or repetitive manufacturing environment. The cost of controlled floor stock components is included in the manufacturing order's material cost.

Processing of floor stock items is discussed in "Inventory management functions".

Miscellaneous items

In addition to your standard inventory items used in production, a miscellaneous item allows you to report and track items such as office supplies, computer paper, and printer ribbons. You must define miscellaneous items in the Item Master file. You can store miscellaneous items in a controlled or uncontrolled warehouse, and you can enter receipt and issues transactions against those items. Optionally, on hand quantities are stored in the Item Balance file.

All transactions affecting miscellaneous items are processed through Transaction Processing using the Miscellaneous Item Transaction display (AMINB1) and are recorded in the Transaction History file.

A Miscellaneous Item Stock list can be printed to show what you have available. A variety of other reports and inquiries are available.

Miscellaneous items differ from inventory items in the following ways:

- Although miscellaneous items can be stored in multiple locations in a controlled warehouse, they cannot be defined as FIFO date, batch/lot, or quality control items.
- A miscellaneous item does not appear on the Location Quantity/Item Balance Audit Report unless an Item Balance record exists for the item.
- Discrete allocations cannot be made against miscellaneous items.
- You can select miscellaneous items for physical inventory only if an Item Balance record exists for that item.
- Miscellaneous items cannot be defined as parents or components in PDM's product structure file or attached to manufacturing orders.

Build-to-order items (Feature/Option items)

Build-to-order items do not maintain their associated detailed specifications when they are received into stock. For example, a white widget (item number 125) and a red widget (item number 125) are carried in inventory as two widgets (item number 125) on hand. Their specific color attributes are not kept within the IM inventory tracking system. Likewise, other related MAPICS XA applications (such as Sales Analysis) track only the end item and not the associated attributes. Thus, Sales Analysis would show the sale of two widgets (item number 125) and not the sale of one red widget and one white widget.

Another solution would be to have item 125 batch/lot controlled. When the production receipt is entered, a batch/lot identification of RED could be assigned to the item 125, and a batch/lot of WHITE to the other. Refer to "Multiple locations per item" and "Batch/lot control".

If item number 125 can be ordered in numerous configurations and colors, you may want to consider using the features and options function to define the item. The use of the option selection number (S-number) field is described in the "Features and options" section of the *Product Data Management User's Guide*.

Where detailed information is required by specific configurations, you can give each configuration of an item a unique item number. For example, white widgets could be

item number 1251 and red widgets could be item number 1252. If additional information is needed, refer to the "Forecasting standard options for items" section of the *Material Requirements Planning User's Guide*.

User sequence number

The user sequence number allows the retrieval of an item's components for reports and/or inquiries to be in a sequence other than component item number. While the user sequence number is primarily a function of PDM, it can be used in IM to alter the sequence of the material detail list on the Shop Packet Worksheets.

The user sequence number can also be used to apply Planned Manufacturing Issue and Return to Stock transactions to the desired Manufacturing Order Detail record when more than one allocation record exists on an order for the same component item.

Exception flagging. To make the reports easier to use, exceptional conditions are highlighted or flagged. For example, the Inventory Transaction Register lists all transactions posted to the master files. Error and warning messages are issued on the report for exception conditions such as Reorder Point Reached, Cost Deviation Flags, and Negative On Hand Quantity.

Item costing (standard, average, and last)

The Inventory Management application supports three costing methods for inventory reporting:

- Standard cost
- Average cost
- Last cost.

Although all three cost fields are available for each item, you are asked during application tailoring to specify which costing method (standard, average, or last) is to be used to cost your inventory. The method you select becomes the primary costing method for issue, sale, and other transactions and is the default basis for all reports showing costs. Most reports contain options that allow you to override the unit cost used for each printing run.

If no transaction amount is entered on an IM transaction, MAPICS always looks first to the cost fields (STDUC, AVCST, or LCOST, depending on your tailoring selection) in the Item Balance file. If the field's value is zero, MAPICS uses the value in the unit cost default field (UCDEF) from the Item Master file to cost the transaction. IM never uses the STDUC from the ITEMASB file for the costing of inventory transactions. The impact on receipt costing of purchase and manufacturing orders when you answer Yes to tailoring questions I32 and I33 are discussed below. When an item balance record is first added to a warehouse, you have the ability to enter the standard cost (STDUC) for the item. Once the item balance record is created, and transaction history is active, you no longer can maintain this field. It can be changed in IM transaction processing with the CS transaction. The last cost field (LCOST) can be changed with the CA transaction, and the average cost field (AVCST) can be changed with both the CA and CR transactions. If an item is costed by the value in the unit cost default field and this value is changed, a CU transaction is generated to transaction history to record the change in the cost of the item.

The item costing method used for day-to-day accounting should not be confused with LIFO/FIFO valuation described in Chapter 8 "Period Closing Activity". LIFO/FIFO valuation is intended as an aid for fiscal taxing purposes.

Note: If Customer Order Management (COM) is installed and interfacing, it also uses the selected method for costing invoice sales items. Regardless of the method selected, the other costs are maintained for secondary or comparative use.

Many companies take advantage of PDM's costing functions to calculate the engineering or manufacturing cost of producing their finished goods. Labor and overhead costs can be manually entered, calculated from table codes, or calculated from the operational hours defined in the routing file and from rates defined in the production facility file. Material costs are calculated from entered values for raw materials and purchased parts. Manufactured subassemblies and finished goods material costs are calculated from the bill of materials defined in the product structure file. Additional costing fields exist that can be used to include other user-defined costs during cost rollups. When a PDM cost rollup occurs, all these costs are included in the calculation of the cost of the item and are placed in the current or standard unit cost fields in the ITEMASB file. Optionally, current costs can be rolled into the standard cost fields. Many companies use that function as part of their year end processing.

One of the questions asked during an IM period close is "Do you want to replace the unit cost default with the PDM standard cost from the ITEMASB file?". This is the only time that MAPICS allows an automatic update to the UCDEF field to occur. If you answer Yes to this question, the update to the unit cost default will occur for the requested items that have item balance records. If the STDUC field in the ITEMASB file is zero, MAPICS does not replace the value in the UCDEF field. This only occurs for items with item balance records. If features do not have item balance records, incorrect costing in IM and COM can occur.

Accounts Payable and IFM allow data entry of invoice detail lines with cost adjustment information when AP or IFM is installed and interfacing with IM. An edit is performed during data entry to ensure that a record with the purchase order number, item number, and warehouse exists in the Purchase Order Item Detail file.

Cost adjustments are transferred to IM only for regular invoice line items. Credit memos, automatic credit memos, and check reversals do not transfer data. Accounts Payable places the cost adjustments in a suspended batch in IM. This batch must be closed and the transaction register run before any updates take place. IFM immediately processes the cost adjustments and updates the cost in the Item Balance file. No batch is created,

Standard Cost. Standard unit costs are user-entered and maintained. Standard costs can be associated with the Item Master record, establishing a single standard cost (unit cost default) for that item for all warehouses. If you prefer, an override standard cost can be associated with each item/warehouse combination in the Item Balance file.

Average Cost. The average cost method automatically recalculates the average cost field when a transaction amount is entered on a receipt transaction. The calculations used are:

$$\begin{aligned} \text{OTOHV} &= \text{old AVCST} \times \text{old MOHTQ} \\ \text{New AVCST} &= \text{OTOHV} + \text{TRAMT} (1 + \text{POH}) \\ &(\text{old MOHTQ} + \text{TRQTY}) \end{aligned}$$

where:

OTOHV	Old total on hand value.
AVCST	Average Unit Cost.
MOHTQ	Quantity On hand.
TRAMT	Transaction amount.
TRQTY	Transaction quantity.
POH	Purchase Overhead from ITEMASB, if defined.

If the cost is not entered at the time an inventory receipt transaction is processed, the average unit cost and last unit cost are not recalculated or updated. Transactions are available to allow adjustments to the average and last costs at a later date.

Last cost. If you enter a Transaction Amount with the receipt transaction, last cost becomes the Transaction Amount divided by Transaction Quantity.

The special case of the average and last costing update for purchase and manufacturing order receipt transactions when IM tailoring questions I32 and I33 are answered Yes is discussed below.

Receipt costing for purchase orders (I32 is Yes). This tailoring question provides the capability to have purchase order receipt transactions (RP and POcosted based on the purchase order item unit cost, when Purchasing is installed, and the transaction amount not entered.

When a purchase order is created, a unit cost for the item can be entered on the purchase order. If a contract number is entered, the unit cost that appears is determined by the quantity/price break as defined in the contract for the item. If the quoted price is below the first quantity break, the contract base price is used. If a requisition is being used instead of a contract, the price from the requisition appears. If neither a contract or a requisition is used, the unit cost defaults to the purchase price default field defined in the purchasing control record. The options are: no default (use standard default hierarchy, current material this level (ITEMASB), purchase price (ITEMASC), standard unit cost (ITEMBL), and unit cost default (ITEMASA). If the defined default field is zero, then the next non-zero value is used, according to the hierarchy.

When the receiving transaction is entered for the item on the purchase order, the transaction amount is calculated to be the transaction quantity multiplied by the purchase order item cost. The average cost is then calculated like the calculation listed above. The last cost will be the unit cost from the purchase order item or release.

Receipt costing for manufacturing orders (I33 is Yes). This tailoring question provides the capability to have manufacturing order receipt transactions costed based on the actual cost of the manufacturing order.

It incorporates the RECCA field in the manufacturing order master file (MOMAST) which accumulates the artreage cost at the time of receipt for all RM transactions for the order. If a transaction amount is entered on the RM transaction, that value is added to the field. If a transaction amount is not entered on the RM transaction, the amount added to RECCA is calculated as the transaction quantity times the average cost at the time of the transaction.

The new average cost calculation is based on the difference between the order's total actual cost and the accumulated average receipt cost from the RM transactions. The new quantity on hand is multiplied by the previous average cost

and added to this difference. The total amount is then divided by the new quantity on hand to give the new average cost. After the calculation has been performed, the RECCA field is set to the order's actual cost. This is necessary in case the order/schedule is later reopened.

The formula for calculating average cost is:

$$\text{New AVCST} = \frac{(\text{New MOHTQ} \times \text{Previous AVCST}) + (\text{TOTACT} - \text{RECCA})}{\text{new MOHTQ}}$$

where:

- AVCST** Average Unit Cost.
- MOHTQ** Quantity On Hand.
- TOTACT** (ISSCO + LABCO + OVHCO + SETCO + MISCO) = total order cost
- RECCA** Accumulated RM Receipt Cost.
- ISSCO** Issue Cost of Order.
- LABCO** Labor Cost of Order.
- OVHCO** Overhead Cost of Order.
- SETCO** Setup Cost of Order.
- MISCO** Miscellaneous Cost of Order.

The new last cost that is calculated from the receipt complete transaction is:

$$\text{New Last Cost} = \frac{(\text{ISSCO} + \text{LABCO} + \text{OVHCO} + \text{SETCO} + \text{MISCO})}{\text{Total quantity received on order}}$$

This table explains when IM calculates new average and last costs for manufactured items.

Table 2-1. Average and last cost calculation for manufactured items

Transaction	Status			
	40 = Order started	45 - Material complete	50 = Labor complete	55 = Order ready to close
IM Only installed				
RM Qty only	N			
Avg cost	N			
Last cost				
RM qty & amt	Y			
Avg cost	Y			
Last cost				
RM complete	X→→→→→	→→→→→X		
Avg cost		Y		
Last cost		Y		
IM and PC&C installed				
RM qty only	N		N	
Avg cost	N		N	
Last cost				
RM qty & amt	Y		Y	
Avg cost	Y		Y	
Last cost				

Table 2-1. Average and last cost calculation for manufactured items

Transaction	Status			
	40 = Order started	45 - Material complete	50 = Labor complete	55 = Order ready to close
RM complete	X→→→→→	→→→→→X	X→→→→→	→→→→→X
Avg cost		N		Y
Last cost		N		Y
RM complete (IOR item)	X→→→→→	→→→→→X	X→→→→→	→→→→→X
Avg cost		N		N
Last cost		N		N
MQ complete (IOR item)	X	X	X	X
Avg cost		N		N
Last cost		N		N
Labor comp	X→→→→→	→→→→→	→→→→→X	→→→→→X
Avg cost		X→→→→→	N	Y
Last cost			N	Y

Timing of average and last cost recalculations. The average and last costs are recalculated when a transaction amount is entered on a costed receipt or when a CA transaction is entered. The recalculation can also optionally happen on a purchase receipt or when a manufacturing receipt signalling the last transaction is entered.

The average and last cost on purchase receipt and at the time of the last transaction are controlled by tailoring questions. If the item is an Inspect on Receipt (IOR) item, the recalculation does not occur with the RI or RM transaction. When the item is actually approved and you enter a MQ or PQ transaction for the IOR item, the average and last costs are recalculated.

If PC&C is interfacing, the manufacturing order is not complete (status 55) until both material and labor are complete. The recalculation occurs on the latter of either the material complete or labor complete transactions.

Warehouse security

Data level security is available for sites and warehouses. In IM, warehouse security is implemented only for the inquiry options on the Work With Warehouses menu. On that menu a user must be authorized to the menu option in order to create, change, or delete warehouse information. Once in the menu option, the user has authority to all fields and functions, including the setup and use of warehouse security. See the *CAS User's Guide*, as well as Appendix G "Security areas" for more information.

Multiple warehouse support

The IM application can track inventory in multiple warehouses. Descriptive data about your inventory (such as item description, prices, tax codes) is contained in the Item Master file. One Item Balance record is created for each unique item/warehouse number combination. The number of warehouses may vary by item. You determine how many records are needed by deciding where items are stocked and enter an Item Balance record for each warehouse where an item is stocked. If ISL/MISL is interfacing, a production family item can exist in only one warehouse. When creating item balance records, you receive an error message if you enter a production family item and it already exists in a different warehouse.

Detailed information about how your warehouses are defined (such as planning or demand, selling or non-selling, and controlled or uncontrolled) is contained in the Warehouse Master (WHSMST) file. You can create and maintain your warehouses through the Work With Warehouses function on the File Maintenance menu (AMIM70).

When you answer the install/tailor questionnaire, you specify the Default Planning Warehouse. The warehouse record is created for you in the WHSMST file. You will add other warehouses through the Work With Warehouses function on the File Maintenance menu (AMIM70).

Specifying engineering sites

If EPDM is activated, you can use different manufacturing product definitions and cost structures rather than the single bill of material and routing that PDM supports. You can use site and revision-specific product definitions (items, bills, routings, and facilities) when entering a manufacturing order, enabling differences in manufacturing processes by item within site.

To enable IM's order entry and release to EPDM, you must define a site ID in the Warehouse Master file, using the Work With Warehouses function on the File Maintenance menu (AMIM70). A blank site means PDM engineering records are to be used. A specific site ID means the EPDM engineering records for that site are to be used.

Controlled and uncontrolled warehouses

A controlled warehouse is one in which an item can be stocked in more than one location and can be tracked by batch/lot numbers and FIFO dates. Quality control can be active in a controlled warehouse. An uncontrolled warehouse is one in which an item can be stocked in only one location. Batch/lot, FIFO date, and QC control do not apply to uncontrolled warehouses. You can define your warehouses as controlled or uncontrolled through the Work With Warehouses function on the File Maintenance menu (AMIM70).

Generally speaking, if you do not store and track items at a location level, you do not need a controlled warehouse. However, there are some functions in MAPICS applications that require a controlled warehouse. Your decision to define a warehouse as controlled or uncontrolled must consider these functions.

A controlled warehouse allows you to store an item in multiple locations within the warehouse. An uncontrolled warehouse keeps a stock balance only at a warehouse level. Stock movement transactions in an uncontrolled warehouse do not allow a location.

Here are functions that require a controlled warehouse.

- Batch lot control. See "Batch/lot control"
- FIFO date control. See "FIFO date control"
- Goods received notes. See "Goods received notes - without IFM interfacing"
- Quality control with shelf life. See "Quality control (QC) inspection"
- Inspect on receipt. See "Inspect on receipt"

Note: IOR items can exist in uncontrolled warehouses, but you cannot perform QC transactions on IOR items in an uncontrolled warehouse.

- Discrete allocations. See "Discrete allocations allowed"

- Use of quality control areas QC01
- Use of bulk store area (ST01 as WIP)
- Determination of negative locations
- Repetitive Production Management

Note: Goods received notes do not require a controlled warehouse when IFM is installed and interfacing.

Multiple locations per item

You can store an item in more than one location only within a controlled warehouse. This requires the use of two master files. The first is the Location Detail file, which defines the acceptable locations. A location cannot be referenced or used without first being defined in this file.

The second file is the Location Quantity file, which stores the actual quantity of an item in a specific location. These quantities are assigned through File Maintenance or Transaction Processing.

Multiple items and multiple lots per location

Each location can have two additional special features. The first allows multiple items to be stored in the same location. The second allows multiple batch/lots to be stored in one location. You can select either or both of these features at the same time that you build individual or multiple locations. The Multiple Items and Multiple Lots (per location) codes are stored in the Location Detail file.

Stock location scheme

Each location in the Location Detail file is defined by a seven-character, alphanumeric field so that most physical layout systems can be accommodated. IM uses the layout shown in Figure 2-1, "IM stock location scheme".

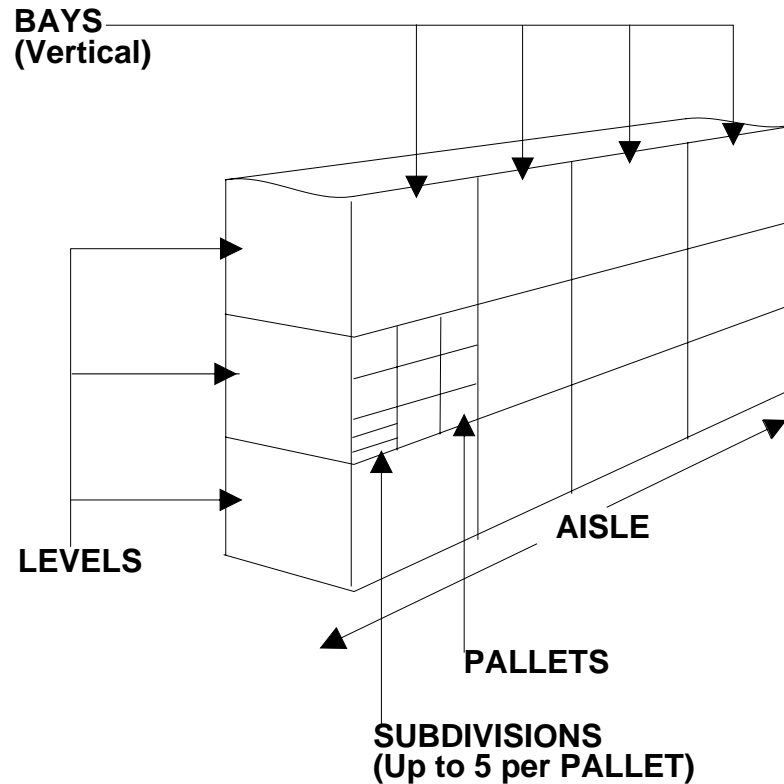


Figure 2-1. IM stock location scheme

The stock locations are defined as follows:

Aisle	A row of stock locations (2 positions)
Bay	Vertical locations in an aisle (2 positions)
Level	Horizontal locations in a bay (1 position)
Pallet	A subdivision within a bay/level (1 position)
Subdivision	A subdivision within a pallet (1 position).

Although IM predefines the locations in this way, the location field can be used for any logical breakdown of the warehouse. The location codes appear as field headings on all reports and inquiries. However, it is not necessary to change already established internal codes. Any code, up to six characters, such as BLDG, COLDRM, and FLOOR, can easily be related to the aisle, bay, and level definitions used by IM. You must have both a two-character Aisle and a two-character Bay to define a location. Level, Pallet, and Subdivision are optional.

Not all locations you define have to be physically in place. For example, to accommodate multiple lots of an item within a bay/level, four pallets can be defined to store up to four small lots. If a larger lot is stored there, filling the available space in the bay/level, then the other pallets remain empty. This gives you flexibility in designing a location map that is practical to use.

Stock location subdivisions within a pallet can be defined as either alphabetic or numeric. Only five subdivisions per pallet are allowed; they can be defined as either A-E or 1-5. You select this option during application tailoring.

In order to build a subdivision, the corresponding pallet that you are subdividing must be built already. For example, if you have built only the main location, BP01, you cannot build subdivision BP0111A. First, the level and pallet must be built as BP0111; then the subdivision can be described as BP0111A. If you want to store items in subdivisions, the main location cannot be used for storage. The reverse is also true.

Special locations

In addition to regular stocking locations, IM lets you define quality control and bulk store areas. IM also lets you use a work-in-process area.

Quality control areas. Quality control areas are those areas in a warehouse that are used as holding or quarantine locations. There are three types of items which can be placed in QC areas.

- Items that are defined as requiring inspection upon receipt can be placed in these areas until they pass QC inspection.
- Items that are defined as QC controlled (for example, items with a shelf life), might be moved to a QC area when the shelf life expires to separate them from other stock of the same item. If the item is found to be still in acceptable condition, it can be moved back to the general stock areas.
- Items which are defined as batch/lot controlled may also be stored in QC areas.

Item Master file maintenance is used to define an item as having any or all of these requirements.

Items which are defined as one or more of the above do not necessarily have to be stored in a QC area. All QC tracking and reporting can be done on items in your regular locations.

A total of 99 quality control areas are allowed in each warehouse. Quality control areas are defined through option 4, Quality Control Areas, on the Location Control menu (AMIM79).

Bulk store areas. There are three types of items which cannot be placed in bulk store areas:

- Items that are defined as requiring inspection upon receipt
- Items that are defined as QC controlled (for example, items with a shelf life)
- Items which are batch/lot controlled.

Item Master maintenance is used to define an item as having any or all of these requirements.

If you selected FIFO date control during application tailoring, the FIFO dates are voided for any items that you move into a bulk store area. To restore FIFO control for an item, you can assign it a FIFO date when you move the item out of the bulk store area.

A total of 99 bulk store areas are allowed in each warehouse. Bulk store areas are defined through option 5, Bulk Store Areas, on the Location Control menu (AMIM79).

Work-in-process areas. A work-in-process (WIP) area can be used for storage of controlled floor stock. In this case, bulk store area ST01 becomes the WIP store area. The significance of the WIP area is that the backflushing logic reduces quantities in the WIP area first. If the quantity of the controlled floor stock item in the WIP area is insufficient, an error message requests you to specify the next location to draw from. Bulk store areas are defined through option 5, Bulk Store Areas, on the Location Control menu (AMIM79).

Note: Quality control (QC) and bulk store (ST) are special location codes and cannot be used as regular stocking locations.

Inventory management functions

The following topics discuss some of the functions that allow you to process inventory transactions.

The IM application is designed to accumulate on hand costs of up to \$9,999,999,999.99 for any one item and on hand balances of up to 9,999,999.999 units for any one item.

Material dispatch

A Dispatch Materials Inquiry display can be requested when you enter material receipts, so you can determine which manufacturing or customer orders have a shortage and where material is immediately needed. The display shows you dispatching information, but does not allow you to issue the material from that display. Material issues are made using an issue transaction after the need is established. This function is activated by selecting Yes in the shortage checking field on the IM transaction selection display AMI3D01.

Material receipt transactions display line numbers next to items whose Item Balance record indicates one of the following:

- The quantity of allocated on hand inventory (MOHTQ - MALQT - PLREQ) for the item is zero or negative.
- The item has customer orders outstanding.

When you select the line number next to the desired item, the Dispatch Materials Inquiry display shows you the orders with shortages of that item.

When the quantity received is positive, the Dispatch Materials Inquiry can be called from any of the following transaction displays:

Display name	Display ID
Inventory Adjustment (IA)	AMI3D05
Interwarehouse Transfer (TW)	AMI3E09
Miscellaneous Receipt (RC)	AMI3D15
Purchase Receipt to Dock (RD)	AMI3D16
Purchase Receipt to Inspection (RI)	AMI3D17
Production Receipt (RM)	AMI3D18
Purchase Receipt to Stock (RP)	AMI3D19

Display name	Display ID
Component Return to Stock (RS)	AMI3D20
Interwarehouse Receipt (RW)	AMI3D21

When the quantity received is negative, the Dispatch Materials Inquiry can be called from the Sales Shipment (SA) display (AMI3D22).

Shortages should be kept current with the issue of material so that false shortages do not appear on the Dispatch Materials Inquiry display. Do this by using the immediate update option or, if you are using the batch update mode, by running the Inventory Transaction Register.

Uncontrolled floor stock

Uncontrolled floor stock components are handled in the following manner:

- The Miscellaneous Issue (IS) transaction is used to bulk issue an uncontrolled floor stock item to the shop floor, and on hand balances are updated at that time in the Item Balance and the Location Quantity files.
- During order release, the uncontrolled floor stock components required are not allocated, but instead are recorded as fully issued to the manufacturing order in the Manufacturing Order Detail file. In other words, the issued quantity is made equal to the required quantity, the open or unissued quantity is zero, and there are no allocations for this component. On hand balances are not affected in the Item Balance and the Location Quantity files.

Uncontrolled floor stock (IX) transactions are created in the Transaction History file and the General Ledger Interface file during order release to show the application of material cost to the work in process value of the order.

IX transactions are also generated by Production Receipt (RM) complete transactions if the order is over-received or completed short, and when the order quantity or component allocation quantity is changed through open order maintenance, and when an order is force closed to show cost changes due to variance in quantity issued.

- Pick Complete by Item (PB) transactions are not normally used to issue uncontrolled floor stock items. The Pick Complete by Item transaction displays only the components that have not been fully issued. Since uncontrolled floor stock components are fully issued during order release, uncontrolled floor stock components are not normally displayed by a Pick Complete by Item transaction.
- Pick Complete by Order (PC) transactions do not produce Planned Manufacturing Issue transactions for uncontrolled floor stock components.
- Planned Issue (IP) transactions can be entered for uncontrolled floor stock components. However, both positive and negative Planned Manufacturing Issue transactions will only change the issued-to-date quantities and costs in the manufacturing order (both master and detail records). The floor stock code in the Manufacturing Order Detail record is checked to determine if the planned issue transaction is for an uncontrolled floor stock component. If the planned issue transaction is for an uncontrolled floor stock component, the on hand balance and the allocated quantity will not be adjusted in the item balance record. The on hand balance for an uncontrolled floor stock item is changed by a miscellaneous issue (IS) transaction.
- An uncontrolled floor stock component can be added through Manufacturing Order Detail file maintenance. Issues for this component are applied automatically at the time the component is added.

- The Unplanned Component Issue (IU) transaction combines the ability to add a component and report issues of the component at the same time. To fully issue the new component, the transaction quantity should be equal to the quantity required. The IU transaction does not affect inventory on hand quantity for uncontrolled floor stock components.
- When bulk returns are made to inventory, they are returned via a Component Return to Stock (RS) transaction. This transaction has no effect on the manufacturing order; only the on hand balance and usage information in the Item Balance and Location Quantity records are changed.
- Scrap can be reported through Manufacturing Order Scrap (SM) and Manufacturing Component Scrap (SC) transactions.
- If you want to change the floor stock code in a Manufacturing Order Detail (component) record, you should determine the effect the change may have. For example, changing an uncontrolled floor stock component to a controlled floor stock component can cause incorrect usage to be reported. The uncontrolled floor stock component was fully issued; the controlled floor stock component should not show any issues. When a Production Receipt is entered, a Planned Manufacturing Issue for the new controlled floor stock component will be produced. This may result in the component being over-issued.
- If you want to change the floor stock code in the Item Balance record, you should check the manufacturing orders using the component to determine the effect the change may have. For example, changing from an uncontrolled floor stock component can cause incorrect usage reporting.

See Appendix E, "Transaction update tables" for field update tables and detailed information on fields affected by the transactions for uncontrolled floor stock components.

Controlled floor stock

As a manufacturing order is released, the needed quantity is allocated. Although it is customary to record issues to an order when components leave the stockroom, the issues for controlled floor stock components are calculated and the allocation is relieved when the finished item is received from production. The technique used to calculate and record this usage is called backflushing. A detailed discussion of backflushing follows later in this chapter.

Controlled floor stock components are handled in the following manner:

- During order release, controlled floor stock components are allocated.
- The components are moved to the production area without a Planned Manufacturing Issue or Miscellaneous Issue transaction.
- As the order progresses, the controlled floor stock components are used. You can use different inventory transactions to report the material status of controlled floor stock components. For example:
 - If some of the components received from stores are defective, a Scrap from Stock (SS) transaction can be used to report the defective parts.
 - If some of the components are damaged during the manufacturing process, a Manufacturing Component Scrap (SC) transaction can be used to report the scrap.
 - If a partially completed end item is damaged, a Manufacturing Order Scrap (SM) transaction can be used to report the lost end item.

- As end items are completed, Production Receipt (RM) transactions are used to report the quantity of completed items.
- Since a Planned Manufacturing Issue or Miscellaneous Issue was not entered to report that controlled floor stock was moved from the stockroom to the shop floor, the components are still considered to be part of the stockroom inventory. With controlled warehouses, controlled floor stock should be moved to the WIP area and then recorded with the Interwarehouse Transfer. Therefore, any defective components can be reported through a Scrap from Stock (SS) transaction and will be deducted from the on hand balance. The component's allocations are not affected.
- If the component was damaged during the manufacturing process, the cost of the component could be charged to the manufacturing order. A Manufacturing Component Scrap (SC) transaction is used to report the cost. The scrap cost is charged against the component and the order but does not affect the component's allocations. A Planned Manufacturing Issue should also be entered to reduce the on hand balance for the item.

If you entered a Manufacturing Component Scrap (SC) transaction with an excessive quantity (and a corresponding Planned Manufacturing Issue transaction), you can use another Manufacturing Component Scrap transaction with an offsetting negative quantity to correct the mistake. You should also enter a Component Return to Stock transaction with the same quantity to correct the Planned Manufacturing Issue.

- A Production Receipt (RM) is used to report the placing of finished items into inventory. When the Production Receipt is entered, Planned Manufacturing Issues are produced for each controlled floor stock component. Each Planned Manufacturing Issue (IP) has a transaction quantity equal to the receipt quantity multiplied by the component's quantity per (the quantity of the component used to produce a single end item). You can adjust the transaction quantity, if necessary. You can control whether backflushing is performed using the standard quantity per or the adjusted quantity per. This can be activated in the warehouse master or in the item balance file. This is important only when yield factors are used.

In a controlled warehouse, transactions are handled in the following manner:

- When the work-in-process (WIP) area is active, the component quantity is decreased from the WIP area.
- If you are not using WIP, and you are tailored for default location=no, the stock is issued from the first available approved location. If you are not using WIP, and you are tailored for default location=yes, stock is issued from the default location defined in the item balance file. If you are tailored to never allow negative location quantities and there is not enough inventory in the default location, a blank location displays on display AMI3D27E. If the default location is not defined in the item balance file, stock is issued from the first available location. Once F8 to accept is entered and stock is not found for the component, error message EAM-7362 (LOCATION NOT VALID) appears on display AMI3D14L. To find a location that contains stock, type ? in the location field and press Enter. Then select the location you want to issue the material from. Otherwise, you can do one of the following:
 - Accept with error using F17, and then process an IP transaction when stock is available
 - Cancel the RM transaction using F6
- If your system is tailored to allow negative quantities, and sufficient material is not available, a negative location quantity is the result.

- Inspect on Receipt (IOR) and batch/lot control items are issued from the first available approved location if WIP is active and you selected this option during application tailoring.
- Refer to “Backflushing” for detailed information on scrap reporting for controlled floor stock components.
- When the Planned Manufacturing Issue transactions are displayed after a Production Receipt (RM) or Manufacturing Order Scrap (SM) transaction is entered, you can change the pending issue quantity to zero. This will prevent a Planned Manufacturing Issue for a controlled floor stock component from being processed (the component would not appear to have been backflushed).
- When the Planned Manufacturing Issue transactions are processed, the component allocations are relieved, and the issue, usage, and on hand balance fields in the Item Balance and Location Quantity record are updated. The issue fields in the component’s Manufacturing Order Detail record are also updated.
- Pick Complete by Item (PB) transactions are not normally used to bulk issue controlled floor stock items. If the item number of a controlled floor stock item is entered, Planned Manufacturing Issues for controlled floor stock components can be produced. Later, when Production Receipt transactions are entered, a second set of Planned Manufacturing Issue transactions will be produced. This will cause controlled floor stock components to be over-issued.
- Pick Complete by Order (PC) transactions do not produce Planned Manufacturing Issue transactions for controlled floor stock components.
- To avoid over issuing controlled floor stock components, Planned Manufacturing Issue (IP) transactions should not be entered. The single exception to this rule is entering Planned Manufacturing Issues to report the use of the controlled floor stock components lost due to component scrap. Entering Planned Manufacturing Issue transactions for controlled floor stock components can cause material costs to be inflated.
- A controlled floor stock component can be added through Manufacturing Order Detail file maintenance. The component allocations will be equal to the quantity required.
- The Unplanned Component Issue (IU) transaction combines the ability to add a component and report issues of the component at the same time. Since Planned Manufacturing Issues are not normally reported for controlled floor stock components, the Unplanned Component Issue transaction should not be used. See Appendix E, “Transaction update tables” for further detail of the updates that occur.
- The Component Return to Stock (RS) transaction is not normally used with controlled floor stock components. Since issues for controlled floor stock components are not reported until finished items are received, there are no components to return. The Component Return to Stock transaction should not be used to correct an erroneous Planned Manufacturing Issue transaction, as the Component Return to Stock transaction will not correct the component’s allocations. To reverse the effect of an erroneous Planned Manufacturing Issue, another Planned Manufacturing Issue with a negative quantity should be entered.
- If you want to change the floor stock code in the Manufacturing Order Detail (component) record, you should determine the effect the change may have. For example, changing a controlled floor stock component to an uncontrolled floor stock component can cause incorrect usage to be reported. The controlled floor stock component may not show any issues; the uncontrolled floor stock

component is expected to be fully issued. Planned Manufacturing Issue transactions may be necessary to correct the situation.

- If you want to change the floor stock code in the Item Balance record, check the manufacturing orders using the component to determine the effect the change may have. For example, changing from an uncontrolled floor stock component can cause inaccurate scrap reporting.

See Appendix E, "Transaction update tables" for field update tables and detailed information on fields affected by the transactions for controlled floor stock components.

Backflushing

The term backflushing refers to a method used to calculate the component issues associated with producing an end item. Rather than recording the issue of materials at the start of an order, a production run is started with the necessary components placed next to the assembly line. When the finished items flow off the assembly line, they are counted, and the backflushing logic calculates the quantity of controlled floor stock components used to produce finished end items and the quantity used in producing partially completed end items that were scrapped. These components must be identified as controlled floor stock components.

You can control whether component backflushing is done for both orders (IM/PCC) and schedules (REP) using the component adjusted quantity per (adjusted for yield) or the standard quantity per (not adjusted for yield). Only controlled floor stock component items are backflushed on orders. All component items are backflushed on schedules.

When an order or schedule is released, components are always allocated using the adjusted quantity per. These allocations reserve components to cover expected loss in the production process. You can control what quantity is used to backflush components. If you backflush using the component standard quantity per, you must account for material used in excess of the standard quantity, using parent and/or component scrap transactions. If you backflush using the adjusted quantity per, material is consumed (issued) as allocated, when completed units are reported.

Backflush codes allow you to process scrap transactions where required - for the parent and/or the component - to accurately account for actual scrap. The backflush codes (BFFL) are provided in the warehouse master file (WHSMST) to set the default for all items in that warehouse, and in the item balance file (ITEMBL) for component items you want to handle differently.

If you want all items backflushed at the adjusted quantity per, you do not need to take action, as the codes default to backflush all items at adjusted quantity per.

If you want all items backflushed at the standard quantity per, you must set the backflush code in the warehouse record to 2 (backflush at standard qty per). Parent/operation scrap and component scrap transactions can be processed as required to report all scrap accurately.

Some users may want most items to be backflushed at adjusted quantity per, but may want to report scrap explicitly for only some selected components. In this case, leave the code in the warehouse set at 1 (backflush at adjusted qty per), but set the backflush code in the item balance record for only the selected components to 2 (backflush at standard qty per). Backflushing for most component items will occur

based on the parent quantity reported good/complete, multiplied by the adjusted quantity per. For the selected components, backflushed at standard quantity per, you would report scrap explicitly, using component scrap transactions.

Parent scrap transactions should not be processed where only selected component scrap is being explicitly reported, as this will result in double counting of scrap for the majority of the components set to backflush at adjusted quantity per.

Backflush code usage:

File Name	Notes:
Warehouse Master (WHSMST)	Backflush adj/std code (BFFL) (User maintained) 1 = use adjusted qty per to backflush (default) 2 = use standard qty per to backflush
Item Balance (ITEMBL/TMP113)	Backflush adj/std code (BFFL) (User maintained) 0 = use warehouse backflush code setting (default) 1 = use adjusted qty per to backflush 2 = use standard qty per to backflush
Manufacturing Order Detail (MODATA and ORDATAC) and Mfg Order Detail History (MOHDTA)	Backflush adj/std code (BFFL) (Determined by codes in WHSMST and ITEMBL) 1 = use adjusted qty per to backflush 2 = use standard qty per to backflush

Order/Schedule release. When an order or schedule is released, for each component item, the backflush code in MODATA is set to the backflush code in ITEMBL for the component, unless that code is 0, in which case the code is set to the backflush code in the WHSMST file. The backflush code in MODATA is always determined by the codes in WHSMST and ITEMBL, and it cannot be maintained in MODATA. A standard quantity per expanded field is calculated and stored in MODATA. This field is the equivalent, without allowing for yield, of the "adjusted quantity per expanded" field that is currently used for both allocations and backflushing.

In component detail add in IM order entry, for controlled floor stock items, the backflush code for the item is displayed. If the code is 2 (backflush at standard qty per), you can enter an additional field for standard quantity per. You can enter either field or both. If you enter both quantities, the quantity per entered is disregarded, and calculated from the total quantity entered divided by the parent order quantity. If you do not enter the new standard quantity per, the standard quantity per is set to the adjusted quantity per (entered or calculated).

Note: During order/schedule release, component inventory allocations are always based on the adjusted quantity per, regardless of the backflush code setting.

Order/Schedule maintenance. In IM and PC&C order component maintenance, for adds and changes for controlled floor stock items and for transaction processing of unplanned component issues that generate a component add, if the backflush code for the item is 2 (backflush at standard qty per), you can enter an additional field for standard quantity per.

For an add or an unplanned component issue (as in order entry, component detail add), if you do not enter the new standard quantity per, that field is set to the

adjusted quantity per (entered or calculated). For a change entry, if you do not enter a standard quantity per, the field is not changed.

If you enter a standard quantity per and do not enter either a total quantity or an adjusted quantity per, those two fields are recalculated, using the existing yield factor, and are set to the values that maintain the existing ratio between them and the standard quantity per.

See the following examples of results obtained from different kinds of changes.

In REP schedule component maintenance, for component adds and changes, the backflush code for the item is displayed, and if the code is 2 (backflush at standard qty per) you can enter the standard quantity per field. For both adds and changes, the same logic as described above for IM and PC&C order component maintenance is used.

Order/Schedule maintenance examples. Here are two examples of changes to a component quantity for an item with a backflush code of 2 (backflush at standard qty per). In each case, the component item standard quantity per is 5, and the adjusted quantity per is 5.1, on an order/schedule for 100 parent items. The initial values in the order/schedules files are shown in the Before column.

The first example assumes that the order requires a component quantity different from the one on the bill of material, so it involves a change to both the standard and the adjusted quantity per fields. This would occur if there was an error in the bill, or an "immediate" engineering change was made after order release, or there is only one bill for a product that has a variable number of some components that are set at order release time. In these cases, the component quantity fields should be changed "in synch". If you change only the standard quantity per from 5 to 6, and do not change either the (component) total quantity required or the adjusted quantity per, the values are shown in the After column. The total quantity required and the adjusted quantity per are changed to maintain the same ratio/yield factor relative to the standard quantity per.

Example 1:

File	Field	Before	After
MOMAST	Parent order quantity	100	100
MODATA	Component total qty required	510	612
MODATA	Component adj qty per	5.1	6.12
MODATA	Component std qty per	5.0	6.0

The second example assumes that you expect a different scrap/yield for this component on this order, so it involves a change to only the adjusted quantity per field. If you change either the component total quantity required from 510 to 525 or the component adjusted quantity per from 5.10 to 5.25, the values would change as shown in the After column.

Example 2:

File	Field	Before	After
MOMAST	Parent order quantity	100	100

File	Field	Before	After
MODATA	Component total qty required	510	525
MODATA	Component adj qty per	5.1	5.25
MODATA	Component std qty per	5.0	5.0

Activity reporting. In IM and REP, processing of order receipt (RM) and scrap (SM) transactions, the backflush code in the manufacturing order detail record determines whether to calculate the component backflush quantity from the standard or the adjusted quantity per.

In PC&C processing of shop activity labor and scrap reporting, the backflush code in the order component detail record determines whether to calculate the parent scrap cost and the component scrapped quantity using either the standard or the adjusted quantity per.

In REP processing of schedule receipt (RM), operation reporting (RO), and schedule scrap (SM) transactions, the backflush code in the schedule component detail record determines whether to calculate the component backflush quantity from the standard or the adjusted quantity per.

Scraping end items when PC&C is interfacing

Scrapped end items are reported through PC&C labor transactions. When the labor transactions are posted, the Manufacturing Order Routing record is updated with the number of end items scrapped. This figure is used by the PC&C Summary Maintenance Scheduler to calculate a running total of the number of each controlled floor stock component used to produce scrapped end items, and the running total is posted to the component's Manufacturing Order Detail record. The Summary Maintenance Scheduler determines which controlled floor stock components are used, based on the operation sequence.

For example, an order for end item B is released with an order quantity of 50. Controlled floor stock component A (quantity per = 1) is first used in operation sequence 20, and the end item scrap is reported as follows:

Operation Sequence	End Item B Scrapped	End Item B Cumulative Yield	Component A Cumulative Scrap
10	5	45	0
20	1	44	1
30	1	43	2
40	1	42	3
50	1	41	4

In this example, the quantity of component A reported as scrapped by the Summary Maintenance Scheduler is 4 (1 from each of operations 20 through 50). This quantity is stored in the component order scrap (COSCP) field of the Manufacturing Order Detail record for controlled floor stock component A.

When an RM transaction is entered to complete a manufacturing order, the transaction quantity and cost amount must be zero. This action is necessary because Planned Manufacturing Issue transactions are produced, and the Planned Manufacturing Issues for controlled floor stock components used in end items that

are scrapped are processed differently from the Planned Manufacturing Issues for components produced for end items that are completed. Planned Manufacturing Issues for scrapped controlled floor stock components have transaction quantities equal to the number of scrapped components (the value in the COSCP field of the Manufacturing Order Detail record). The Planned Manufacturing Issue transactions are displayed, and the pending issue quantities can be reviewed and changed, if necessary.

When processed, these Planned Manufacturing Issue transactions update both the issue and scrap fields in the component's Manufacturing Order Detail record and the issue, usage, and on hand balance fields in the Item Balance and Location Quantity records.

This method of processing is necessary because:

- The number of end items scrapped is not reported directly through Inventory Management.
- Controlled floor stock components are used before they are recorded as issued.
- Components which are scrapped must also be issued.

A scrap reason code and reference can be entered with operation charge information in Shop Activity Update or in labor transactions entered in PCC, PMC, or Payroll. A Scrap Reason Code file allows you to define valid scrap reason codes. If your company does not use scrap reasons, blank is a valid entry. When the parent scrap transaction (SM) is generated, the scrap reason code and reference are sent along with it.

Scrapping end items when PC&C is not interfacing

The Manufacturing Order Scrap (SM) transaction is used to report the scrapping of partially completed end items. It assumes that all components that would be used to build the end item are scrapped when the end item is scrapped, regardless of the operation where the component is used.

The Manufacturing Order Scrap transaction produces Planned Manufacturing Issue (IP) transactions for all controlled floor stock components in the scrapped end item. The pending issue quantity (transaction quantity) of each Planned Manufacturing Issue is calculated by multiplying the number of end items scrapped (the transaction quantity from the Manufacturing Order Scrap) by the number of that controlled floor stock component (quantity per) required to produce a single end item. The Planned Manufacturing Issue transactions are displayed, and the pending issue quantities can be reviewed and changed, if necessary.

When the Planned Manufacturing Issue transactions for the controlled floor stock components are processed, the issue fields in the Manufacturing Order Detail file and the issue, usage, and on hand balance fields in the Item Balance and Location Quantity files are updated.

The Manufacturing Order Scrap transaction is only permitted when PC&C is not interfacing.

Update average lead time

Average lead time is computed for an item when the order reaches completion status. A Purchase Receipt or Manufacturing Receipt entered with a completion

code of C signals that the order has been completed. Lead time is not computed on individual receipt transactions or for orders that have been force closed.

The lead time is assumed to be the number of days between the actual start date and the completion date. The average lead time is calculated through the use of an alpha factor. Refer to "Alpha factor/averaging calculations" for a detailed discussion of the function.

The average lead time value gives an approximation of true lead time. The effect of expediting and deferral actions are not taken into account when computing the average lead time; these actions distort the average lead time.

Batch/lot control

You can decide which inventory items will have batch/lot control. Once an item is defined as having batch/lot control, all transactions involving that item must carry the batch/lot number. The application edits these transactions to ensure batch/lot integrity.

The histories of all transactions are stored in the Transaction History file. You can request inquiries and reports from this file by batch/lot number, allowing the tracking of a batch/lot from first receipt through customer ship. You can have batch/lot control active, even if quality control is not.

Usually, you would not make discrete allocations of items not batch/lot controlled, such as bottle caps or packing cases, to a manufacturing order but would issue them out of inventory as needed. However, you can specify on the Discrete Allocation display (AMINF1) that you want to allocate items not batch/lot controlled. Then these items appear on the Manufacturing Order Allocation Selection display (AMING1).

If KBC is interfacing, you must choose batch/lot control for your configured item. The batch/lot field contains the KBC-generated lot number, which represents a configuration.

Quality control (QC) inspection

You can decide which inventory items will have a shelf life and are subject to cyclic quality control (QC) inspection. The shelf life of an item is expressed as the number of days until QC needs to test the item and enter a QC transaction to approve or reject the item quantity. An item defined as having QC control must also have batch/lot control. Therefore, the shelf life for an item is controlled on a batch/lot basis.

Reports are available to show you those batch/lots of an item with a shelf life that has expired or will expire shortly. Once a batch/lot has exceeded its shelf life, the application considers it unavailable for use until it has been inspected and approved by quality control.

FIFO date control

During application tailoring, you specify if you want to use FIFO date control, and it applies to all controlled warehouses. When FIFO date control is active, all transactions must carry the FIFO date for the item. In this way, an item that arrives on different dates can be tracked according to the date. Likewise, if batch/lot control is

also active, the FIFO date is required on all transactions, allowing all item/batch/lot/FIFO date combinations to be tracked separately.

Note: Under FIFO date control, there are multiple quantity records for each item warehouse location combination with different FIFO dates. You can discontinue using FIFO date control, but you must first issue all quantities out of stock and recreate them after you re-tailor the application. Since the transactions are not order related and are intended to simply take stock out of a location and put it back in after the re-tailoring, use a miscellaneous issue (IS) transaction to remove stock and a miscellaneous receipt (RC) to reenter the quantities.

Goods received notes - without IFM interfacing

A goods received note (GRN), or receiving ticket, is used by many companies to indicate that a specific batch/lot or FIFO date controlled group of items has been received. The non-IFM GRN functions are activated by answering Y to Install/Tailor question I19. GRNs are only allowed with controlled warehouses when IFM is not installed and interfacing. The GRN system lets you identify assets received and the corresponding liability. This helps prevent duplicate payment for goods and identifies those goods received in the current accounting period for which no invoice was received. This type of control is normally required and, in most companies, is handled manually between the dock and accounts payable personnel. Once the invoice is received from the vendor, the GRN can be closed.

GRN numbers can be used with inventory items or miscellaneous items with an item balance record. A GRN is created in IM by entering a GRN number in a Purchase Receipt to Stock or Purchase Receipt to Inspection transaction. When entering a GRN number in the transaction, the warehouse must be controlled. When the invoice is received, it can be matched against the GRN by selecting option 8, Invoices to Goods Received Notes, on the Transaction Processing menu (AMIM30).

Goods received notes - with IFM interfacing

If IFM is interfacing (IMGLI=2), you can match lines on an invoice to specific P.O. receipt transactions. Matching can be done manually by selecting the receipts you want to pay on the invoice. Or, matching can be done automatically by following a first in/first out rule. The GRN number is used as the link to tie a receipt to an invoice and can be used to hold the IFM Their Reference number. Because the GRN can also represent other fields, such as a bill of lading number, another field is available for you to indicate that the GRN is being used as an IFM invoice number. In this situation, IFM uses the GRN to determine which receipts belong to the invoice being matched. Transaction history shows the GRN field and the total quantity matched to an IFM invoice.

The purpose of this matching function is to get a more accurate price from the receipt than the price that could previously be determined from the purchase order alone. The matching takes place in IFM invoicing. The matching options are defined at the Personal Ledger or Personal Account level in IFM.

Manual matching. Manual matching can be done after the process of automatically generating an invoice. From the Charge line maintenance function on the Charge line page 1 of 2 display (UAD5E2R), using **F19=IM transactions** takes you to the Select Inventory Transactions display, which provides a function for manually matching invoices and credit memos to inventory transactions. This display lists all the receipts for the particular item on the order and shows all transactions that are not fully matched for the item. Depending on whether you are tailored for dock or stock as being considered received, you see either RD or RP/PQ transactions if the IFM

transaction is an invoice. If the IFM transaction is a credit memo, you see VR transactions.

Automatic matching. You can use one of three methods for automatic matching. You can base automatic matching on the FIFO date so that transactions that have the same P.O. number, warehouse, item, and release are consumed from the oldest to the newest.

You can match on invoice number, which causes transactions with the same invoice number, P.O. number, warehouse, item, and release to be selected for the match. The GRN field on the IM transaction is used to hold the IFM invoice number, which ties the receipt to the invoice.

You can choose to match on Invoice/FIFO. In this case, first transactions with the same invoice number, P.O. number, warehouse, item, and release are matched to charge lines. Next, if the charge line's items are not fully matched, older transactions with a blank invoice number but the same P.O. number, warehouse, item, and release are matched.

Processing matched transactions. At the end of the cycle, IFM updates the IM transaction history record when the receipt is completely matched. A flag indicating whether the transaction is fully matched is updated on receipt/return transactions.

The CA transaction calculation uses the price from the inventory receipt transaction instead of from the purchase order. The CA transactions generated by IFM for matched charges use the difference between the invoice value and the sum of the matched RD or RP/RQ or VR transaction values instead of the difference between the invoice value and the purchase order value.

Additionally, the IFM invoice number, IFM transaction number, and charge line number are put on the CA transaction and all receipts that match fully to one charge line. However, these fields are not shown in Transaction History Inquiry or Reports. When a receipt matches to more than one charge line, the transaction, charge line, and invoice fields are left blank.

The IFM receipt transaction history detail display, accessed by using option 5=Display from the Select Inventory Transactions display, shows the invoice number, transaction number, charge line, and matched quantity. When a receipt matches to more than one IFM charge line, the Transaction field contains the value MANY.

The Invoice Matched Flag is set when the receipt/return has been fully matched to an invoice. This flag is used during the IM transaction history purge to determine whether or not it can purge the transaction yet. If the receipt/return has not been matched to an invoice, the record is not purged.

The rules for transaction purge with IFM are:

1. If IFM is not interfacing, the purge function remains unchanged.
2. If IFM is interfacing, and the Invoice Matched field has a value of 1, the receipt/return is purged.
3. If IFM is interfacing and the Invoice Matched field has a value of 0, and the corresponding purchase order does not exist anymore in the Purchase Order Master file (POMAST), the receipt/return is purged.
4. Rule number 3 is only applied to the type of transaction that is used for matching. For a system that matches on RD transactions, rule number 3 does not affect RP

or PQ transactions. For a system that matches on RP or PQ transactions, rule number 3 does not affect RD transactions. The unaffected transactions are purged as they are now.

IFM GRN versus non-IFM GRN

Using the GRN with the IFM Invoice/Receipt matching function is an alternative to non-IFM support for GRN numbers. If IFM is interfacing, you should set question I19 on the Install/Tailor questionnaire to No. With IFM, the GRN number and the GRN Invoice fields appear on IM displays and reports, but the GRN file (SLGRNS) is not updated by IFM, so the GRN file maintenance and reporting functions are not supported by IFM.

If IFM is not installed and interfacing, then you must set question I19 to Yes if you want support for GRN numbers. With this method, the GRN field appears on displays and reports and GRN file maintenance and report functions are available.

If IFM is not installed and interfacing and you set question I19 to No, the GRN field and functions are not available for use.

This table compares two methods of handling GRNs.

Table 2-2. IFM GRN versus Non-IFM GRN

IFM GRNs	Non-IFM GRNs
Entered with IM transactions.	Entered with IM transactions.
Designate GRN as IFM invoice number.	GRN invoice number not shown.
Create records in new Charge/Receipt Matches file.	IM creates GRN record.
Automatic matching provided in IFM invoicing.	No automatic matching.
Manual matching available.	When invoice is received, user manually maintains GRN record with invoice number. User manually deletes GRN record when no longer needed.
Flags IM receipt when fully matched.	No tie back to receipt.
Does not update SLGRNS file.	Does update SLGRNS file.
Reports only available in IFM for IFM GRNs.	Various reports available.

Negative on-hand balances

On-hand balances in the Item Balance and Location Quantity files can become negative. Subsequent transactions can increase the negative value of these fields without error messages appearing for those items that are stored in an uncontrolled warehouse.

A tailoring option allows you to specify, for controlled warehouses, whether to:

1. Allow quantity to go negative once, but prevent negative quantity to increase, or
2. Prevent negative quantities in any location.
3. Allow all transactions that create or increase negative location quantities.

Order management functions

The following topics discuss some of the functions that allow you to enter and release orders.

Purchase order release

Purchase orders can be entered and released using IM but, if Purchasing is installed, all purchase orders must be entered and released by the Purchasing application.

Although the actual purchase order forms are not printed by IM, a printed report is produced showing release date, due date, vendor number, item number, and quantity. Blanket purchase orders (a standing order with multiple release dates) are allowed.

After a line item record is entered showing quantity ordered, you are requested to enter release records showing scheduled quantities and dates. The application creates records in the Purchase Order Blanket Release Detail file for each scheduled receipt date, so it can track the status of each release by scheduled date. You are not restricted by the purchase order quantity in entering and maintaining blanket release quantities. For that reason, you can enter some of the releases at the time of order entry and later add more blanket releases through file maintenance.

Maintenance of blanket releases does not adjust the order quantity or due date in the Purchase Order Item Detail file. These changes can be made by using Purchase Order Item Detail file maintenance, if necessary. For more information about the order release function, see Appendix C "Entry/release process for orders and schedules" .

Order start dates

If an order due date is entered without an order start date, IM calculates an order start date using MRP's quantity-based lead time function. This algorithm calculates the order's lead time based on the item's fixed lead time and a variable lead time. The variable lead time is calculated in relation to the order's quantity, standard lot size, and variable lead time per standard lot. The sum of the two lead times is then used to determine the order start date. You can still override the calculated date with your own date or the system date. A message is issued if the start date is prior to the system date. If, however, the start date is left blank on the order and the lead times in Item Balance are zero, the start date will default to the system date. No error or warning message is given to let you know that you have no lead times. You can override the system date to any other date if you choose.

Configured items

As an alternative to S-numbers when Knowledge Based Configurator (KBC) is interfacing, manufacturing orders can be created for configured items. This involves accessing the customer order containing the configuration information, copying the configured bill of material into manufacturing order component detail records, and copying routing steps into operation detail records. This is done via the manufacturing order batch. You then close the batch and run order release, much the same as if you had manually keyed the material and routing data.

Configured items can be in controlled or uncontrolled warehouses. For a configured item in a controlled warehouse, you can choose whether or not to track the configurations when they are stocked in inventory. If configurations are stocked, the configuration is identified in the batch/lot field.

Configured items in an uncontrolled warehouse. You can perform the following for a configured item in an uncontrolled warehouse:

- Take customer orders
- Receive into a warehouse
- See total quantity on hand

The advantage to this scenario is that you do not have the overhead of using batch/lots or discrete allocations. The disadvantage is that you see only the total on-hand quantity of the configured items in inventory. You will not be able to tell what the specific configuration is when you look at inventory.

Configured items in a controlled warehouse—not stocked. As with configured items in an uncontrolled warehouse, you can take customer orders and receive the items into the warehouse. In a controlled warehouse environment, however, you enter a location. The advantage to this scenario is that you see the total quantity on hand at a specific location rather than in the entire warehouse. You can see very specific information without the need for batch/lots or discrete allocations. As in the uncontrolled warehouse environment, you cannot tell what the specific configuration is when you look at inventory.

Configured items in a controlled warehouse—stocked. Using this scenario, you can stock particular configurations in inventory. You use locations and batch/lot fields to hold the configuration identifications, and you use discrete allocations. When you look at inventory in a location, you can tell precisely how many of which configurations you have in stock.

Manufacturing order release

When entering a manufacturing order, you can enter either an order quantity or an in quantity. The order quantity represents the quantity of the parent item expected at the end of a manufacturing process. The in quantity represents the quantity used at the beginning of a manufacturing process.

In quantity. In quantity can be used if PDM is installed and interfacing. In quantity specifies the maximum order quantity for which you want components started in the manufacturing process due to production limits such as equipment capacity or vessel size. For example, if your vessel holds 1000 gallons, components for no more than that batch size should be started. After the order is released through IM, the in quantity is reduced by cumulative yield values in PDM to generate the order quantity you can expect at the end of the manufacturing process. The cumulative yield is calculated in PDM when you choose option 1 from menu AMEMO6. When you choose option 2 on that menu, the correct adjusted quantity per for components is calculated. Both options should be run before releasing manufacturing orders for the end item.

Component allocations. You can enter the component materials to be used to make this order. However, if Product Data Management (PDM) is installed and interfacing, this information can be copied from the Product Structure file. The application creates material allocation records in the Manufacturing Order Detail file. This feature ensures that material requirements are known and identified until the components are issued from stock. The total quantity allocated is calculated by multiplying the

quantity per (either as you entered it during manufacturing order entry or from the Product Structure file) times the order quantity. The total quantity allocated is stored in the Item Balance record for each component item.

Components of orders being released are checked for availability using the on hand and total allocated quantities in the Item Balance record, and shortages are printed on the Item Shortage and Order Shortage reports. Follow-Up Shortage reports can be requested later to detail all manufacturing allocations, customer backlog, and scheduled receipts to stock, by date.

Industries that require strict controls on their manufacturing and customer orders, such as pharmaceutical, textile, and food industries, can use the discrete allocation feature to maintain these controls. The order release feature allocates only the total quantity needed to fill the order and only at the warehouse level. With the discrete allocation function, you can then allocate the total quantity required from the specific locations and batch/lots of your choice, after the order is released but before production starts. Refer to "Discrete allocations" for more information about this function.

When orders are released, an audit trail shows the item number, due date, and quantity. If EPDM is activated and the order's **B/M** field is REL, a component's adjusted quantity per is calculated based on the item process being used. Adjusted quantity per for each component is calculated dynamically in EPDM as required from yield information that is stored in EPDM's routing header record. Also, if EPDM is activated, the source of the engineering records is written to the order files (MOMAST and MODATA). This includes site, revision, alternate bill ID, routing ID, routing version, and component revision. A material picking list is produced listing the required components. The picking list prints the revision of the component, if EPDM is activated. For more information about the order release function, see Appendix C "Entry/release process for orders and schedules" .

Final assembly order definition (S-number)

This function is used to release final assembly manufacturing orders for products that have features and options. PDM must be installed and interfacing before this type of release can be used. Refer to the "Features and options" section of the *Product Data Management User's Guide* for a full description of this function.

Final assembly order release is similar to the regular manufacturing order release with the following exceptions:

- In addition to the data entered in the first step of normal order release, you can enter the option selection number (S-number), previously defined during PDM application tailoring.
- The system then uses the bill of material to generate component allocation records in the Manufacturing Order Detail file and prints picking slips according to the set of options specified by the option selection number.

If COM is installed and interfacing, the user can enter the sales order number, and the application generates a final assembly order for each line item in that sales order that has an option selection number.

If Knowledge Based Configurator (KBC) is interfacing, you can create a configuration for an item. A configured item is an alternative to S-numbers and is used to define features and options.

Immediate bill of material explosion

The immediate explosion of the bill of material and checking of component availability during manufacturing order release is a user run-time option. If **NOW** is entered in the **B/M** (bill of material) field during order entry, the bill of material is exploded after the order header information has been entered, and component availability can be displayed. If **REL** is entered in the **B/M** field, the bill of material is not exploded until order release, and batch shortage reports are used to check for shortages. A third option is to enter **KEY** in the **B/M** field, manually enter components, and check their availability.

When **NOW** is entered in the **B/M** field, a single level explosion is performed, taking into account the options specified by the S-number and blowing through phantom items. Phantom items are checked for an on hand balance. If the on hand unallocated balance of the phantom is equal to or exceeds the component quantity required, blow-through does not take place, and the phantom is allocated.

The exploded single level bill of material can be reviewed to determine whether sufficient quantities of the components are available. While reviewing component availability, the order quantity can be changed to accommodate shortages. The required quantities for the components are then recalculated and displayed with the current component availabilities. If you reject the order, it is marked canceled, and the Manufacturing Order Master record is deleted. Even if some components are missing or in short supply, the order can be accepted with known shortages.

If all the necessary components are available and you accept the order, the component records are placed in the Order Release Data Entry file, and the pending manufacturing allocation quantity is increased in the Item Balance record for each component.

After the order has been accepted, the order quantity can still be changed, or the order can be deleted. If the order quantity is changed, the pending manufacturing allocation quantity in the Item Balance records and the required quantity in the Order Release Data Entry records are adjusted. If the manufacturing order is deleted, the pending manufacturing allocations in the Item Balance records are reduced and the Manufacturing Order Master and the Order Release Data Entry records are deleted. If EPDM is activated and the order's **B/M** field is **NOW**, a component's adjusted quantity per is calculated based on the item process being used. Adjusted quantity per for each component is calculated dynamically in EPDM as required from yield information that is stored in EPDM's routing header record.

The exploded bill of material can be reviewed on the component availability display, and any necessary changes, additions, or deletions to the components can be made. Changes to the quantity per field in the component record causes recalculation of the total required quantity for the component. Adding or deleting components increases or decreases pending allocations. Deletion of the batch will cause pending manufacturing allocations to be decreased.

Pending manufacturing allocations are displayed during MRP availability checking as well as during IM order release availability checking. All other availability checks do not use the pending allocations fields from IM and MRP; these fields contain pending allocations that do not affect the actual quantity available until the manufacturing orders have been released. An audit of pending manufacturing allocations is performed by selecting option 11, Allocation Quantity Audit, on menu AMIM70.

This function is available for both regular manufacturing orders and manufactured items built to customer order. Manufacturing order splits do not have MODATA records and therefore do not require component explosions and availability checking.

Discrete allocations

You can decide which inventory items you want to allocate to (or reserve for) a specific manufacturing order. Item quantities are allocated by specific batch/lot, location, and FIFO date. When the pick list for the order that is being allocated to is printed, the allocated quantity, location, batch/lot, and FIFO date are specified. This greatly simplifies the task of picking the correct goods for the order.

Any item not under batch/lot control can also be coded in the Item Master file as being allowed to have discrete allocations. It can then be allocated by typing Y for uncontrolled items on the Discrete Allocation (Select) display (AMINF1).

You can allocate the total required quantity for components before printing the shop packet or starting material activity, or you can allocate partial quantities if you plan to process multiple Pick Complete transactions against the order. However, once the shop packet has been printed, or material activity has started, additional allocations can only be done by selecting the ORDER option on the Discrete Allocations (Select) display (AMINF1) and entering the manufacturing order number. Material detail records for orders at a status greater than 10, or for orders whose shop packet has been printed, are not extracted for allocation unless a specific order number is entered on display AMINF1.

Notes:

1. This discrete allocation feature in IM allows for more control than the manufacturing allocated quantity function. Industries that require strict controls on manufacturing orders, such as pharmaceutical, textile, and food industries, can use the discrete allocation feature to maintain these controls. You gain the advantage of actively reserving specific item quantities from the location and batch/log of your choice. Discrete allocations for customer orders are processed through COM.
2. Follow these steps to use the discrete allocation function:
 - a. Release an order (option 2, menu AMIM40). Total manufacturing allocations for the item are recorded in the Item Balance record.
 - b. Make discrete allocations (options 5 and 6, menu AMIM30). This step creates discrete allocation records that link location quantity records to the order.
 - c. Print the shop packet (option 4, menu AMIM40).

Manufacturing order quantity adjustments using deviation quantity

You may want to change an order quantity in a manufacturing order. Use one of two methods of accomplishing this depending on the status of the manufacturing order.

If the order has been released, but no activity has been reported (order status=10), the order quantity can be changed in the Manufacturing Order Master record using file maintenance. The quantity change is also reflected in the required component

quantities in the Manufacturing Order Detail file. Item Balance file allocations for the component items are adjusted accordingly.

If activity has been reported on the manufacturing order (order status greater than 10), the original order quantity cannot be changed. Instead, a positive or negative deviation quantity must be specified through file maintenance. A positive deviation quantity effectively increases the open quantity of the manufacturing order end item. A negative deviation quantity effectively decreases the open quantity of the end item.

You can specify a deviation quantity when the order status is 10 if you want to preserve the original order quantity for reporting purposes, but you must use a deviation quantity when the order status reaches 40.

A deviation quantity for an order whose status is 40 or 50 (activity started, but material is incomplete) correspondingly adjusts the component required quantity in the Manufacturing Order Detail file and the allocations of the affected components in the Item Balance file.

If a positive deviation quantity was specified, it may be helpful to print a follow-up shortage report and reprint the Material Picking List for the manufacturing order. Planned Manufacturing Issue transactions must be processed to record the additional component usage. Specifying a negative deviation quantity may necessitate returning the excess component items to inventory by processing Component Return to Stock (RS) transactions.

You cannot change the order quantity or deviation quantity for an order that has any components with discrete allocations not yet relieved by Planned Manufacturing Issue transactions.

Order point

The application calculates the recommended order point for each item that is not controlled by MRP, supplied by FCST, or entered by you as a fixed order point in the Item Balance record. The following formula is used:

$$\text{COP} = \text{SAFTY} + \text{EAANU} \times \text{TLT} \text{ divided by } \text{ACDAY}$$

where:

ACDAY	Number of active business days per year
COP	Calculated reorder point
EAANU	Estimated average annual usage
SAFTY	Safety stock
TLT	Total lead time in business days

The number of active business days per year is entered during application tailoring. Safety stock can be supplied to each Item Balance record by FCST or entered by you. Estimated average annual usage is recalculated by IM as described in this section. The total lead time is the manufacturing or the purchasing lead time plus the corresponding lead time adjustment.

Once the reorder point has been calculated, it is then adjusted by the reorder tolerance percent:

$$\text{ROP} = (\text{COP} \times \text{ROTPT}) + \text{COP}$$

where:

ROP Reorder point
ROTP Reorder tolerance percent

The reorder tolerance percent is entered during application tailoring.

IM makes three tests on each item to determine if the item should appear on the Reorder report:

1. Items with an available quantity equal to or above the reorder point plus reorder tolerance percent do not appear.
2. Items controlled by MRP do not print. An item is controlled by MRP only when all three of the following conditions are met:
 - a. MRP is installed and interfacing with IM.
 - b. The order policy code is not B or C.
 - c. The item is in an MRP planning warehouse (defined in Warehouse Master file maintenance).
3. Suspended items do not appear.

If an order recommendation is determined for an item, you can, optionally, have a requisition, a purchase order, or purchase order blanket release created automatically and sent to Purchasing.

Economic order quantity (EOQ)

If the order policy code is B and the fixed order quantity is greater than zero, the order quantity is equal to the fixed order quantity. If the fixed order quantity is less than or equal to zero, the order quantity is calculated as described below. The formula is based on the theory of minimizing the total inventory cost by balancing inventory carrying costs against reordering costs. The formula used is:

$$EOQ = \sqrt{\frac{2 \times EAANU \times (OCOST + STDSU)}{LCOST \times CARYF}}$$

where:

CARYF Inventory carrying rate (per year) from the questionnaire

EAANU Estimated average annual usage (see "Alpha factor/averaging calculations")

LCOST Last unit cost

OCOST Estimated cost of placing an order (paperwork costs)

STDSU Setup cost (either your internal standard setup cost or the vendor setup cost passed on in the form of price breaks)

The inventory carrying rate is specified during application tailoring. Most businesses use a carrying rate between 20% and 40%. The carrying rate can be used as a management policy variable to regulate inventory investment. For example, using a larger carrying rate will decrease recommended order quantities, and smaller order quantities will decrease inventory.

The estimated cost of placing an order is also entered during application tailoring. The last unit cost and estimated average annual usage are recalculated as explained in this section.

The standard setup cost can be entered in each Item Master A-record. The setup cost for manufactured items can be recalculated by the PDM product costing function using the Routing and Work Center Master files to show the current cost. You can calculate the estimated vendor setup cost that is passed on to you in the form of price breaks by using the following formula. The application does not do this calculation for you.

$$VSU = \frac{Q1 \times Q2 \times (UPB1 - UPB2)}{Q2 - Q1}$$

where:

- Q1** Quantity for the first price break
- Q2** Quantity for the second price break
- UPB1** Unit price at the first price break
- UPB2** Unit price at the second price break
- VSU** Vendor setup cost

Operation yield

Operation yield and related functions are available. They affect IM only when PDM is installed and interfacing. Average yields are calculated only if PC&C is also installed and interfacing with both IM and PDM.

Operation yield is used primarily by industries where loss occurs as a product moves through each stage or operation. The operation yield is expressed as a percentage of the parent quantity that will remain in the production process at the end of the operation, compared to what came into the operation. The yield at an operation level has a cumulative effect as the product moves through subsequent operations. It affects the planned operation times and the component or ingredient requirements as they are introduced at future operations.

Operation yield should not be confused with component scrap or component loss:

- Operation yield is a loss in the parent quantity.
- Component scrap is a loss of an ingredient during an operation.
- Component loss is typically due to evaporation, spillage, or breakage and is compensated for by increasing the component quantity.

This discussion includes the following topics:

- Operation yield fields
- Adjusted quantity per
- Adjusted run hours
- Impact of operation yield on product costing, material requirements, and scheduling.

Operation yield fields. Operation Yield (Standard or Current) is a user-maintained field in the Routing file. It cannot exceed 100 percent nor can it be negative. Cumulative Yield Through Previous Operation (Standard or Current) and Total Cumulative Yield (Standard or Current) are calculated when you choose option 1

(Calculate Cumulative Yield) on the PDM Yield Calculation menu (AMEM06). Cumulative Yield Through Previous Operation is stored in the Routing file, and Total Cumulative Yield is stored in the Item Master A-record. The Average Yields are calculated by PC&C, if it is installed and interfacing with PDM when order closeout and purge is run. The operation yield fields are summarized in "Discrete allocations".

Table 2-3. Nine types of operation yield

Operation Yield	Cumulative Yield Through Previous Operation	Total Cumulative Yield
Standard	Standard	Standard
Current	Current	Current
Average	Average	Average

Adjusted quantity per. After the Operation Yield values are specified in the Routing file and the cumulative yields are calculated, the quantity per values should be adjusted to reflect the true material requirements for a component. The adjusted quantity per is calculated for each material at the operation where it is first used when you choose option 2 (Calculate Adjusted Quantity Per) on the PDM Yield Calculation menu, AMEM06. The calculation uses the following formula:

$$\text{Adjusted Quantity Per} = \text{Quantity Per} \times \frac{\text{Cumulative Yield Through Previous Operation}}{\text{Total Cumulative Yield}}$$

The adjusted quantity per and the original, or engineered, Quantity Per are stored in the Product Structure file.

When an order or schedule is released, components are always allocated using the adjusted quantity per. These allocations reserve components to cover expected loss the in the production process. You can control what quantity is used to backflush components. If you backflush using the component standard quantity per, you must account for material used in excess of the standard quantity, using scrap transactions. If you backflush using the adjusted quantity per, material is consumed (issued) as allocated, when completed units are reported.

Adjusted run hours. The run hours (machine and labor) in the Routing file are also adjusted to compensate for yield. When run hours are used in PDM Product Costing or in IM Manufacturing Order Release, Adjusted Run Hours are calculated for each routing operation using the following formula:

$$\text{Adjusted Run Hours} = \text{Run Hours} \times \frac{\text{Cumulative Yield Through Previous Operation}}{\text{Total Cumulative Yield}}$$

Impact of operation yield on product costing, material requirements, and scheduling. The following example illustrates the difference in calculating product costs, material requirements, and operation run times when you start using operation yield. The results vary depending on where a material is introduced into the production cycle and the current yield at that operation and subsequent operations.

Without operation yield or if operation yield = 100%. Product A has these characteristics recorded in the Product Structure and Routing files:

Table 2-4. (Page 1 of 2) Characteristics of Product A, w/o operation yield, in the Product Structure file

Component	Quantity Per	Operation Where First Used
B	3	10

Table 2-4. (Page 2 of 2) Characteristics of Product A, w/o operation yield, in the Product Structure file

Component	Quantity Per	Operation Where First Used
C	4	20
D	1	30

Table 2-5. Characteristics of Product A, without operation yield, in the Routing file

Operation	Run Hours
10	2.00
20	2.00
30	1.00
40	3.00

Component costs are: B = \$1.00, C = \$.50, D = \$10.00.
 Work Center rates are: Labor = \$10.00, Overhead = 50%.
 Total material cost for Product A is: \$3.00 + \$2.00 + \$10.00 = \$15.00 per unit.

Assuming that the run hours are all labor, the total labor and overhead costs (using the work center rates) are:

Table 2-6. Total labor and overhead costs of Product A without operation yield

Operation	Labor	Overhead
10	2 hrs x \$10.00 = \$20.00	\$10.00
20	2 hrs x \$10.00 = \$20.00	\$10.00
30	1 hr x \$10.00 = \$10.00	\$ 5.00
40	3 hrs x \$10.00 = \$30.00	\$15.00
Total	8 hrs x \$10.00 = \$80.00	\$40.00

The total unit cost for Product A is: \$15.00 (material) + \$80.00 (labor) + \$40.00 (overhead) = \$135.00.

With standard batch quantity and current operation yield. The Routing file contains Current Operation Yield. After you use option 1 (Calculate Cumulative Yield) on the PDM Yield Calculation menu (AMEM06), the file also contains Cumulative Yield Through Previous Operation. The Total Cumulative Yield and the Standard Batch Quantity of 100 are stored in the Item Master A-record. Adjusted Run Hours are calculated when the next Manufacturing Order is released.

Table 2-7. Characteristics of Product A, with operation yield, in the Routing file

Operation	Run Hours	Operation Yield	Cumulative Yield Through Previous Operation	Adjusted Run Hours
10	2.00	100%	100%	5.55
20	2.00	80%	100%	5.55
30	1.00	50%	80%	2.22
40	3.00	90%	40%	3.33
Total Cumulative Yield: 36%				

Since Product A now has a Standard Batch Quantity of 100, the Quantity Per for each component has been multiplied by 100 to reflect the proper relationship to the

Standard Batch Quantity rather than to one of the parent. The Product Structure file now contains the adjusted quantity per, which was calculated when option 2 (Calculate Adjusted Quantity Per) on the PDM Yield Calculation menu, AMEM06, was run.

Table 2-8. Characteristics of Product A, with operation yield, in the Product Structure file

Component	Quantity Per	Operation Where First Used	Adjusted Quantity Per
B	300	10	833
C	400	20	1111
D	100	30	222

The total material cost for Product A is: \$833.00 + \$555.50 + \$2220.00 = \$3610.50 per Standard Batch Quantity. The per unit cost is \$36.10.

The labor and overhead costs are now:

Table 2-9. Total labor and overhead costs of Product A with operation yield

Operation	Labor	Overhead
10	5.55 hrs x \$10.00 = \$55.50	\$27.75
20	5.55 hrs x \$10.00 = \$55.50	\$27.75
30	2.22 hrs x \$10.00 = \$22.20	\$11.10
40	3.33 hrs x \$10.00 = \$33.30	\$16.50
Total	16.65 hrs x \$10.00 = \$166.50	\$83.10

The total unit cost for Product A is now: \$36.10 (material) + \$166.50 (labor) + \$83.10 (overhead) = \$285.70.

The following table shows the impact that specifying and tracking operation yield can have on a product's cost, scheduling, and material requirements:

Table 2-10. Product A's cost, scheduling, and material requirements with and without operation yield

Impacted Fields	Without Yield	With Yield
Costing:		
Material	\$ 15.00	\$ 36.10
Labor	\$ 80.00	\$166.50
Overhead	\$ 40.00	\$ 83.10
Unit Total	\$135.00	\$285.70
Scheduling:		
Labor Hours	8	16.65
Material Requirements (on a per unit basis):		
Item B	3	8.33
Item C	4	11.11
Item D	1	2.22

Milestone group reporting

Milestone operation groups are normally defined in PDM as part of the routings for an item. However, if PC&C is installed and interfacing, you can also define milestone groups in the operations for a specific item and order at the time that you release the order.

Milestone group reporting allows you to define several sequential operations within a routing as a milestone operation group. A milestone operations group begins with a milestone starting operation and ends with a milestone ending operation. When you use a milestone operation group, quantities are reported complete only at the milestone ending operation. All work reported as complete for the lot is assumed to be complete for all operations included in the milestone group.

You can use milestone groups differently in a job shop environment and a flow shop environment:

- In a job shop environment, all pieces in a lot normally move together from operation to operation. However, milestone group reporting allows work on intermediate operations (operations that occur between the starting and ending milestone operations) to be reported even though all pieces from preceding operations within the milestone group may not be complete.

In a job shop environment, you can report scrap quantity or hours against an intermediate operation, even after the milestone quantity is reported complete. Any scrap you report will be used in calculating the quantity complete if you use completion Code 2 (Complete, Quantity Assured).

- In a flow shop environment, a series of stations (or work centers) may be working on a single manufacturing order simultaneously. Where discrete units are produced, this is known as a repetitive (assembly line) or a batch process-oriented environment. The stations complete their respective tasks on approximately the same number of units per shift so that the line stays balanced. As each piece is completed, it can be moved to the next station.

In a flow shop environment, unless you report scrap for intermediate operations, the completed quantity you report at a milestone ending operation is assumed to be the same for all preceding operations within the milestone group. If you do not

report scrap, time and cost for intermediate operations are calculated based on the reported quantity at the milestone ending operation.

When you create a milestone operation group for an order, you enter a specific code to differentiate a job shop milestone operation from a flow shop milestone operation.

For more information about how milestone groups affect time and labor reporting, see the *Production Control and Costing User's Guide*. For more information about defining milestone groups in routings, see the *Product Data Management User's Guide*.

Alpha factor/averaging calculations

When you run the period-end closing stock status with file update (option 1, menu AMIM60), three averages are recalculated:

- Average sales per period (AVSAL)
- Average period-end balance (AVMEB)
- Estimated average annual usage (EAANU).

The averaging technique (called exponential smoothing) places more emphasis (weight) on recent actual values than on old actual values, according to an alpha (averaging) factor that you are asked to enter during application tailoring. The basic formula for calculating a new average using exponential smoothing is:

$$NA = OA + (AF \times (TPAV - OA))$$

where:

AF Alpha factor
NA New average
OA Old average
TPAV This period actual value

This formula is used for the first two averages which are on a period basis:

Average Sales Per Period (AVSAL) and
 Average Period-End Balance (AVMEB).

If there is no old average, the new average is initialized with the "this period actual value."

The third average, Estimated Average Annual Usage (EAANU), uses a modified version of the formula because it is on an annual basis:

$$NA = OA + (AF \times ((TPAV \times PERIOD) - OA))$$

PERIOD Number of accounting periods (12 or 13)

If there is no old average, the new average is initialized to "this period actual value" multiplied by the number of accounting periods (12 or 13).

Table 2-11. "Weights of past period values for alpha factors" shows, for different alpha factors, the relative weight of past period values in determining the new average. Use this table as a guide to select an alpha factor depending on how much emphasis you want to place on recent values in the averaging calculations. The current period gets the weight of the alpha factor itself. The past "N" periods get the weights shown in this table.

Table 2-11. Weights of past period values for alpha factors

Alpha Factor	This Period	2	3	4	5	6	7	8	Total All Prior
.40	.400	.240	.144	.086	.052	.031	.019	.011	.017
.30	.300	.210	.147	.103	.072	.050	.035	.025	.058
.20	.200	.160	.128	.102	.082	.066	.052	.042	.168
.10	.100	.090	.081	.073	.066	.059	.053	.048	.430

Notice the higher the alpha factor, the more weight is placed on recent periods.

Manufacturing and purchasing lead times

Lead times for manufactured and purchased items are stored in the Item Balance file and are maintained using option 2, menu AMIM70. Figure 2-2, "Diagram of manufacturing and purchasing lead times" shows the elements of lead time that are used in IM. Each cycle starts with a time line describing business activities. The time lines below the business activities show you which lead times describe each business activity. In addition, IM transactions such as order release and receipts are tied to the time lines.

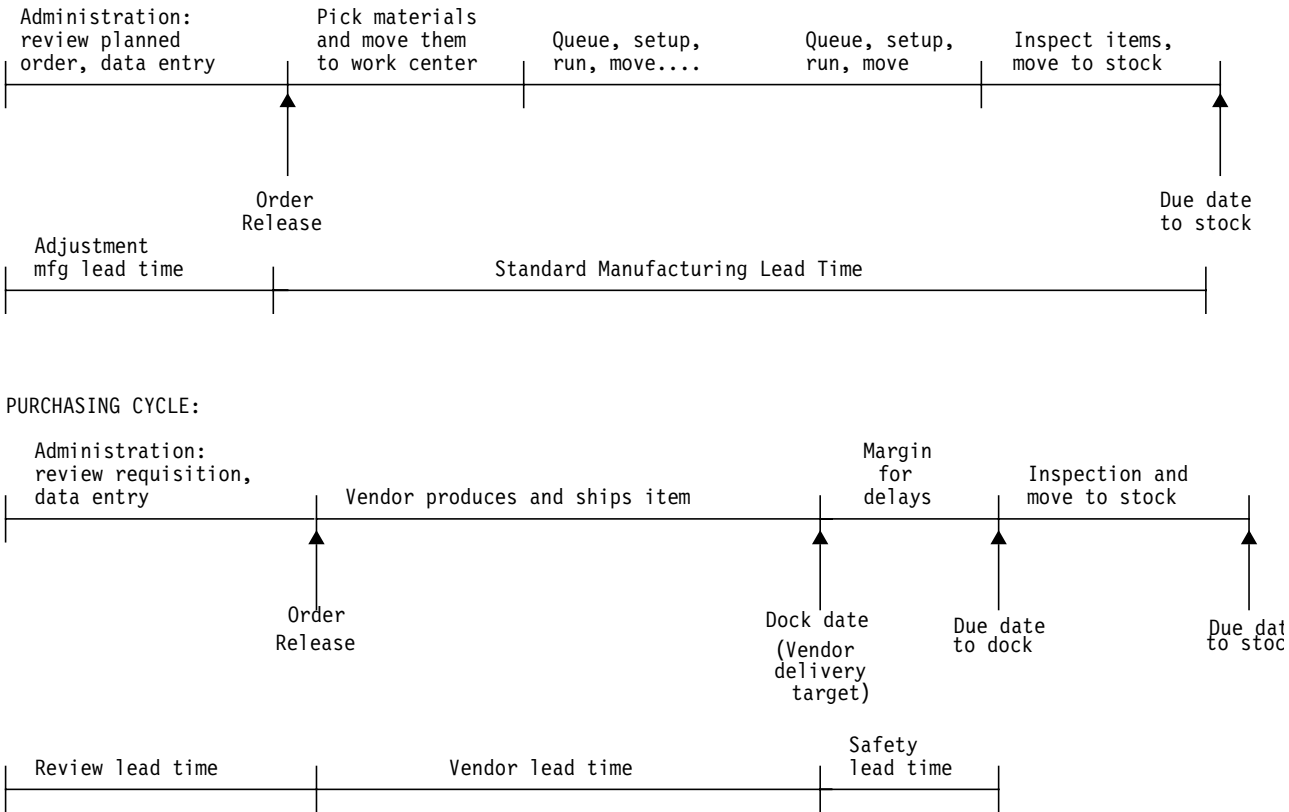


Figure 2-2. Diagram of manufacturing and purchasing lead times

Miscellaneous features

The topics discussed below apply across the entire Inventory Management application.

Year-end processing

Four Inventory Management functions apply to for year-end processing.

1. Physical Inventory may be run at the discretion of the user. MAPICS XA does not require physical inventory processing at year-end.
2. Calendar File Update is required if the existing file does not contain entries for the current calendar year.
3. LIFO/FIFO processing is required for users on an annual LIFO/FIFO basis. This must be run to satisfy IRS requirements for inventory valuation and to purge unnecessary transaction records from the system.
4. Year-End Close must be run after all transactions affecting on hand balances have been processed. Do not run Month-End and Year-End Close. The Year-End Close option will close both month- and year-end.

Offline data entry support

The Inventory Management application is designed to process transactions interactively. However, transactions may also be entered offline.

Transactions entered offline are processed in batches. The offline data is transferred to the system, and a batch edit report is printed. Error correction can be handled either offline or through a work station. The batch of transactions can then be released for updating the master files.

Offline entry provides nearly the same transaction capability as interactive processing except for the following:

- No provision is made for entering Pick Complete by Item (PB) transactions, Interwarehouse Transfer (TW) transactions, or transactions associated with purchase and manufacturing order release.
- Some master files must be maintained using a work station.

See Chapter 15 "Forms" for sample forms and Appendix A "Offline file load and data entry" for more information on file record layouts for offline data entry.

Manufacturing Order History

Manufacturing Order History saves the information from the open order manufacturing files. When you purge a manufacturing order or schedule, the order information moves to the order history files. Using the Manufacturing Order History menu, you can review, print information about, and archive manufacturing order or schedule information.

The order history files contain all the information originally in the open order files, including order header, component, operation, and miscellaneous charge information. The Inquiry displays show this information arranged in categories (general, production, and accounting) where applicable.

When you archive and delete orders or schedules from the system, Manufacturing Order History still keeps a minimum amount of header information. This way, you can search for a previously archived order or an order still on the system without restoring all the orders to the system.

To use Manufacturing Order History, answer Y (yes) to the following questions in the install/tailor questionnaire:

- “Do you want order tracking support for manufacturing orders?”
- “Do you want to keep history for manufacturing orders?”
- If Repetitive Production Management (REP) is installed and interfacing with IM, “Do you want to keep history for purged schedules?”
- If Production Control and Costing (PC&C) is installed and interfacing with IM, “Do you want to use additional operation descriptions?”

Note: If you use MAPICS XA security, you need specific clearance to use the Manufacturing Order History menu (AMIMAO) options. See Chapter 10 and Appendix A of the *CAS User's Guide* for more information about MAPICS XA password security. You can also use personalized menus to see Manufacturing Order History. See Chapter 9 of the *CAS User's Guide*.

EPDM activation

EPDM is a client/server application that provides an ability to maintain and cost engineering records by site. Sites are defined either as simulation or production sites. Simulation sites do not have an interface outside of EPDM. Production sites interface to the following applications: PDM, MPSP, MRP, and IM order entry. Other MAPICS applications continue to interface to PDM.

EPDM is designed to assist customers who produce goods in one or more sites, by making available different manufacturing product definitions and cost structures rather than the single bill of material and routing that PDM provides. With EPDM, MAPICS can use site and revision-specific product definitions (items, bills, routings, and facilities), enabling differences in manufacturing processes by item within site.

When entering a manufacturing order, you can specify whether the engineering records are to be pulled from PDM or from EPDM. This is done by defining a site ID in the warehouse master record. A blank site means PDM engineering records are to be used; a specific site ID means EPDM engineering records for that site are to be used. You cannot enter a manufacturing order for a simulation site.

Using sites applies to entering straight manufacturing orders using option 2 on the Select display AMI4A1, or to entering a manufacturing order per customer order using option 4 on that display. Manufacturing order split (option 3 on AMI4A1) is also enabled as long as the split order is for the same site and revision. The system uses the warehouse you enter to find the associated site. With the site identified, it then can determine the current revision. You can enter a revision identifier or use a prompt to get a list of revisions for the site/item. If you don't choose a revision, the system defaults to the current revision based on the order start date. If there are multiple revisions and they have overlapping dates, the system looks at all revisions in descending sequence by effective from date within effective to date. Starting with the first revision in that list, it selects the first one that includes the order start date. In addition, you can select a specific item process to be used or default to the primary process that is effective for the revision on the order's start date. You can have only one primary process for an item revision effective at a time. If you want to choose

another process, go to the Select Item Process display, which will show you the primary effective process and any alternate processes that are effective as of the order's start date. The process determines which bill and routing are associated with the order when the order is released.

If you are using EPDM engineering records, item revisions may contain an Implementation Status Code that designates how an item revision is to be processed during different phases of its life. One setting available is whether or not an order can be released. IM's manufacturing order entry edits to verify that the item revision for which you are entering an order has an implementation status that allows orders to be released. You receive a message if it cannot be released.

When reviewing an order, you can see the process that was selected. The process shows the process description and what bill and routing are associated with that process. If the bill is exploded during order entry, you also will see the revision number of the components, if applicable, and if you add a component, you can specify the revision to use.

Order maintenance is provided for the component revision field for users who need to accurately record the component revision used for manufacturing an order; for example, in a contract job. This revision number is carried to history.

The picking list prints the revision of the component. The revision is stored in the MODATA record and is printed as information only. Inventory is not maintained or issued by revision. If you use revisions of an item, MAPICS assumes that the inventory is interchangeable. If inventory is not interchangeable, you should assign a new part number during the engineering change process.

Shop Packet Worksheets also print the revision number of the parent and any component item. The Item Shortage Report (AMI4Q3) and the Manufacture Order Shortage Report (AMI4W4) also print the revision number of the parent and any component items.

When an order is closed and purged and written to history, the engineering fields are also written to history, but the fields are not shown on any manufacturing order history displays or reports. They are, however, included in the archive and restore process for manufacturing orders.

During order closeout, the engineering records for the PDM site are updated as usual in PDM with actual data posted to the order. The routing operation statistics (average times and yield information) and the facility records are updated. The Average Adjusted Quantity Per is updated in the PDM bill of material. If the order used a bill of material and routing from another site defined only in EPDM, no updating of averages and actuals occurs. Orders for an EPDM site are treated as though their bills and routings were keyed (B/M=KEY) as far as updating averages and actuals is concerned.

Some order closeout reports show the parent item's revision number and the revision of the component, if applicable. These reports are:

- Order Closeout Selection by Order Audit List (AMI4S) and Order Closeout Selection by Date Audit List (AMI4T)
- Order Closeout Production Report (AMI4K1)
- Manufacturing Orders Closed Report (AMI402).

General Ledger interface

The goal of every accounting organization is to produce timely, accurate financial statements and reports that measure, financially, what is happening in the enterprise. Accountants must capture information about the business for accounting purposes to record it in their ledgers.

The General Ledger interface lets accountants classify items, manufacturing orders, schedules, and production facilities for accounting purposes, using these fields:

- Item accounting class
- Order accounting class
- Schedule accounting class
- Production facility accounting class

Product Data Management (PDM) and Materials Requirements Planning (MRP) also support these fields.

In MAPICS XA, much of the business information that accountants need originates in “non-accounting” applications such as:

- Customer Order Management (COM). Information includes revenue from sales to customers and the associated cost of sales.
- Inventory Management (IM). Information includes movements into and out of inventory and the impact of these movements on manufacturing orders and schedules, and purchase orders.
- Production Control and Costing (PC&C). Information includes movements into and out of manufacturing orders, such as: labor, machine, overhead, miscellaneous costs, manufacturing usage, manufacturing efficiency, and cost variances.
- Repetitive Production Management (REP). Information includes movements into and out of manufacturing schedules, such as: labor, machine, and overhead costs

Typically, people who use COM, IM, PC&C, and REP are not accountants. However, the people who want to use the General Ledger interface are likely to be accountants. Accountants can use the General Ledger Interface menu option in each application: COM, IM, PC&C, REP.

First you select the General Ledger interface during tailoring. Then, activate the transaction types using the Maintain Interface Control File menu option on this application's General Ledger Interface menu. Your application then saves information about the selected transactions for General Ledger when it processes those transactions.

You can use generalized or specific rules to assign accounts to transactions. These rules reflect your accounting practices for how accounts are assigned, using multiple rules as necessary to cover different circumstances. You can change the rules and reassign accounts as necessary. As you create the rules and assign the accounts to transactions, IM checks the account numbers against the chart of accounts in GL or the units and natures in IFM.

Two or more rules can apply to one transaction. You can set priorities to determine which rule prevails. Each application has a rules file and a priorities file.

Note: If IM is interfacing with International Financial Management (IFM), you must set up GLI rules and priorities in IM using the IFM unit and nature format instead of the account number format. Answering Y (Yes) to the IFM questionnaire question about passing general ledger transactions allows you to set up the rules and rule priorities in the GLI applications using units and natures. This means that units and natures appear on the GLI displays instead of account numbers. However, you can still use existing account number rules and rule priorities, if present, to assign accounts and create ledger transactions. To have the GLI applications begin passing the ledger transactions to IFM in the unit/nature format, you must activate the interfaces in CAS.

After the General Ledger interface assigns the accounts to the transactions, you can review them. You can override the accounts assigned by the system or split a transaction so that it affects two or more accounts. No one can change the actual transaction data or the total transaction amount.

When your review is done, you can use a menu option to convert the transactions to general ledger entries for GL or IFM. Transactions cannot be converted into general ledger entries until they have been assigned valid general ledger account numbers. The general ledger interface summarizes the transactions for ledger purposes, if requested.

For transactions that affect multiple companies, the General Ledger interface handles intercompany accounting. It is possible to have transactions that result in ledger entries that affect more than one company. When this happens, MAPICS XA creates intercompany receivable and liability entries to balance debits and credits at the company level. The intercompany Accounting file contains the accounts used to do this task.

Note: If IFM is interfacing, the intercompany accounting feature of this General Ledger Interface is not used. Refer to the *International Financial Management User's Guide* for more information.

InterSite Logistics (ISL/MISL) interface

IM cannot create or release intersite orders. In fact, intersite orders are almost invisible to IM. Since intersite orders that you place on another site are scheduled receipts, being shipped from offsite, ISL/MISL maintains the quantity on order from intersite orders for an item as part of the on order from purchasing field in the Item Balance file. Therefore, the IM total on order for an item includes intersite orders.

From another point of view, intersite orders placed on you by another site are considered demand. A real customer order is created in COM to be associated with the intersite order. For the demand side, therefore, you see intersite demand as a normal customer order, not listed separately.

How to get started with IM

This section outlines the actions you should take when first using the Inventory Management application. It includes basic definitions of various functions in IM and an overview of how these functions are used. Where necessary, you are referred to other sections of this guide or to other publications for detailed instructions.

The tasks in order of use are:

- Answer the install/tailor questionnaire
- Establish warehouses
- Confirm inventory master records
- Establish item QC and batch/lot controls
- Build warehouse locations
- Update location quantities
- Run the location quantity audit
- Add miscellaneous items.

Answer the install/tailor questionnaire

The first step in installing IM is to answer the install/tailor questionnaire. (This questionnaire must also be answered for every other application you intend to install.) You can decide which IM functions to use and which ones to omit from your system. The questionnaire gives you the opportunity to tailor IM to your company's specific requirements.

Establish warehouses

After you have answered the install/tailor questionnaire, use option 12 on the Inventory Management File Maintenance menu (AMIM70) to create your warehouses.

Confirm inventory master records

After you have established your warehouses, you should ensure that the Item Master and Item Balance files contain the records you want.

Establish item QC and batch/lot controls

Use Item Master file maintenance to set quality control, inspect on receipt, batch/lot and FIFO control, and discrete allocation code values for each item. These control codes are ignored for uncontrolled warehouses. Each of the control codes is explained, as follows:

QC control

This code determines whether the item is subject to cyclic quality control inspection. If you answer Y, you must also define the item's shelf life and answer Y to Batch/Lot Control. The shelf life of an item is the number of calendar days until QC needs to test the item and enter a QC transaction to approve or reject the item quantity.

Since an item defined as having QC must also have batch/lot control, the shelf life for an item is controlled on a batch/lot basis. Reports are available to show you those batch/lots of an item whose shelf life has expired or will expire shortly. Once a batch/lot has exceeded its shelf life, it is considered unavailable for use until it has been inspected and approved by quality control. If you answer N to QC Control, the Shelf Life will be defined as 0000.

The quality control status of an item is stored in the SLQNTY file in two fields. This table shows valid combinations and their meanings.

QC Indicator One (LPQC1)	QC Indicator Two (LCQC2)	Definition of Item Status
1	0	Approved, within shelf life; inspection not yet required.
2	0	Approved, shelf life inspection not required.
8	0	Item has been rejected
9	0	Waiting inspection, purchased item
1	7	Waiting inspection, manufactured item
1	9	Shelf life expired, QC inspection due

Inspect on receipt

This code determines whether the item is subject to initial inspection on receipt. If you answer Y, the item requires inspection on receipt, even if it does not have QC control assigned. All received quantities for the item are coded in the Location Quantity file as Waiting Inspection when they are received through transaction processing. If you answer N, the item does not require inspection on receipt, even if it has QC control assigned.

All receipts to a controlled warehouse against purchase orders for Inspect on Receipt (IOR) items must be processed with a Receipt to Inspection (RI) transaction rather than Purchase Receipt to Stock (RP). The material is then approved to stock through a QC transaction. A QC transaction must also be entered to approve manufacturing order receipts processed through a Production Receipt (RM) transaction for IOR items, receipts processed through a miscellaneous receipt (RC) transaction, or RW transaction (except when associated with a TW transaction within the same warehouse).

Receipt of a purchase order for an IOR item to an uncontrolled warehouse with an RI transaction does not update inventory balances. This receipt updates only purchase order status. Any other type of receipt to an uncontrolled warehouse ignores the IOR status and treats the item as if inspection is not required. QC transactions are not permitted in uncontrolled warehouses.

Batch/lot control

This code determines if the item is subject to batch/lot control. When an item is defined as having batch/lot control, all transactions involving that item must carry the batch/lot number. The application edits these transactions to ensure batch/lot integrity.

Once you have established batch/lot control for an item and have begun receiving activities for that item, a unique Location Quantity file record is created during transaction processing for each item, location, and batch/lot combination. If you choose to remove batch/lot control from the item, you should carefully examine the effect the change might have on your data because, once you remove batch/lot control, the batch/lot number will be ignored.

Before you deactivate batch/lot control for the item, use Inventory Adjustment transactions or Location Quantity Maintenance to combine all Location Quantity records with the same location and batch/lot into one record. Otherwise, unexpected

results may occur during transaction processing and physical inventory if multiple Location Quantity records exist for the same item and location, but with different batch/lot numbers.

You must answer Y to Batch/Lot Control if the item is subject to QC control. If QC Control is not active, you can answer Y or N to Batch/Lot Control. History reports and inquiries are available by batch/lot number, allowing you to track a batch/lot from first receipt through customer ship.

You also must answer Y to Batch/Lot control if KBC is interfacing and this item is a configured item. In this case, KBC generates unique lot numbers and assigns them to particular configurations.

Discrete allocations allowed

This code determines whether the item can be allocated to specific manufacturing or customer orders. If you answer Y, the item is included in the Lot Extract report(s) and appears on Order Allocation displays. You can answer Y or N to discrete allocations allowed, regardless of your responses to the other codes (QC, inspect on receipt, and batch/lot).

An item not under batch/lot control, such as a bottle cap, could be coded as Y. Usually, it would not have discrete allocations. However, for a special order where you want to ensure that enough caps are available to complete the bottling operation, you can specify Y for the Allocate Items Not Batch/Lot Controlled prompt on display AMINF1. This allows items that are not batch/lot controlled to appear on display AMING4 for discrete allocation.

Build warehouse locations

You can build and maintain stock locations individually or in multiple blocks. Both methods are available through option 3, Location Detail, on the Location Control menu (AMIM79). A location quantity cannot be recorded in the Location Quantity file unless the affected location is established in the Location Detail file first.

Individual locations

The individual locations option lets you create (add), change, or delete a specific location in a given warehouse. Refer to "Stock location scheme" for a description of how a location is partitioned.

When you create individual locations, the location must be defined to at least the bay. If you later add levels, pallets, or subdivisions to an existing aisle/bay combination, you are actually adding new locations; you are not redefining an existing location. For example, the main location AA AA currently exists and you decide to create location AA AA 1. You now have two locations, not one location defined to the level. When you maintain individual locations, the location must be defined to the bay, level, pallet, or subdivision. That is, for a main location, the level must be defined before a pallet, and a pallet defined before a subdivision.

Multiple locations

The multiple locations option lets you create or delete a range of locations in a given warehouse. Once you create a range of locations, you can add or delete individual locations within the range, depending on your needs.

The location ranges must be defined to at least the bay. If you later add levels, pallets, or subdivisions, you are creating new locations, just as you would for individual locations. If you create a range of locations to the level, the first character of each bay in the range must be the same. For example, if you decide to create locations AA AA 1 through AA AB 1, the application accepts this, and two locations are created. However, if you try to create locations AA AA 1 through AA BB 1, the application responds with the message, THE BAY ENTERED IS INVALID.

Note: The system would accept the location range AA AA through AA BB (no level), creating 38 locations. See Figure 2-12, " Creating multiple locations in a warehouse" and the accompanying explanation about how the system calculates the number of locations that are built.

When you delete multiple locations, the location ranges must be defined to the bay, level, or pallet, depending on how they were originally built. When you delete locations to the pallet, all associated subdivisions are automatically deleted. When you delete locations to the subdivisions, only the subdivisions are deleted, not the main locations.

When you create a range of locations, the system displays a message showing the number of records (locations) that are to be created. However, if individual locations already exist within the defined range, they are not created a second time, and your status report will show a different number of records actually created. For example, you decide to create locations AA AA 1 through AA AA 9. Your display message reads 9 RECORDS WILL BE CREATED. However, locations AA AA 2 and AA AA 4 already exist. Your status report will show that seven, not nine, records were actually created. When you create a range of locations through the subdivision, the system creates the main locations if they do not exist.

The following table illustrates examples of ranges entered, the actual locations built, and the total number of locations built.

Table 2-12. Creating multiple locations in a warehouse

Ranges Entered				Locations Created			Total
FROM	Aisle	Bay	Level	AA AA 1	AA AA 4	AA AA 7	9
	AA	AA	1	AA AA 2	AA AA 5	AA AA 8	
TO	—	AA	9	AA AA 3	AA AA 6	AA AA 0	
FROM	Aisle	Bay	Level	AA A1 1	AA A1 7	AA A2 4	18
	AA	A1	1	AA A1 2	AA A1 8	AA A2 5	
TO	—	A2	9	AA A1 3	A A19	AA A2 6	
				AA A1 4	AA A2 1	AA A2 7	
				AA A1 5	AA A2 2	AA A2 8	
				AA A1 6	AA A2 3	AA A2 9	
FROM	Aisle	Bay	Level	AA A1 A	AA A1 M	AA A1 Y	36
	AA	A1	A	AA A1 B	AA A1 N	AA A1 Z	
TO	—	A1	9	AA A1 C	AA A1 O	AA A1 O	
				AA A1 D	AA A1 P	AA A1 1	
				AA A1 E	AA A1 Q	AA A1 2	
				AA A1 F	AA A1 R	AA A1 3	
				AA A1 G	AA A1 S	AA A1 4	
				AA A1 H	AA A1 T	AA A1 5	
				AA A1 I	AA A1 U	AA A1 6	
				AA A1 J	AA A1 V	AA A1 7	
				AA A1 K	AA A1 W	AA A1 8	
				AA A1 L	AA A1 X	AA A1 9	

Table 2-12. (Continued) Creating multiple locations in a warehouse

Ranges Entered				Locations Created			Total	
FROM	Aisle	Bay	Level	AA AA	AA AN	AA A0	38	
	AA	AA	—	AA AB	AA AO	AA A1		
TO	—	BB	—	AA AC	AA AP	AA A2		
				AA AD	AA AQ	AA A3		
				AA AE	AA AR	AA A4		
				AA AF	AA AS	AA A5		
				AA AG	AA AT	AA A6		
				AA AH	AA AU	AA A7		
				AA AI	AA AV	AA A8		
				AA AJ	AA AW	AA A9		
				AA AK	AA AX	AA BA		
				AA AL	AA AY	AA BB		
				AA AM	AA AZ			
FROM	Aisle	Bay	Level	AA AA 1 1	Blank=Main location			486
	AA	AA	1 1 A	AA AA 1 1 A				
TO	AA	AA	9 9 E	AA AA 1 1 B				
				AA AA 1 1 C				
				AA AA 1 1 D				
				AA AA 1 1 E				
				Repeated 80 times for levels 1-9 and pallets 2-9				

If you enter an alphanumeric range of A-9, the system counts this as 36 positions. The system always recognizes letters before numbers when making this calculation. Therefore, an entry of 1-Z is invalid.

A valid bay range of AA-BB (no level) assumes an alphanumeric range of AA-A9, creating 36 locations plus the two locations, BA and BB. Likewise, a bay range of AA-Z9 would create 936 locations (36 x 26).

To calculate the number of locations the system will build for a given range, determine the number of positions entered for each bay, level, pallet, and subdivision range, then multiply them together. For example, you enter the range AA AA A 1 1 to AA AC 9 9 5. There are 3 bay, 36 level, 9 pallet, and 6 subdivision positions built (the subdivisions built will be the main location and subdivision locations 1 to 5). When the bay, level, pallet, and subdivision positions are multiplied together, they equal 5,832. This is the number of locations the system builds for this range and the number of records that are added to the Location Detail file.

Multiple items and multiple lots per location

Each location can have two additional special features. The first allows multiple items to be stored in the same location. The second allows multiple batch/lots to be stored in one location. You can select either or both of these features at the same time that you build individual or multiple locations. The multiple items and multiple lots per location codes are stored in the Location Detail file.

When you create individual or multiple locations, a separate display appears with the fields Multiple Items (Y/N) and Multiple Lots (Y/N). Both fields show the default value of N. Either or both can be changed to Y if batch/lot control is active. If you are not using batch/lot control, multiple lots cannot be changed to Y.

- If you answer N to both Multiple Items and Multiple Lots, the location can contain only one item and only one batch/lot of that item.

- If you answer N to Multiple Items and Y to Multiple Lots, the location can contain only one item, but different batch/lots of that item.
- If you answer Y to Multiple Items and N to Multiple Lots, the location can contain different items, but only one batch/lot of each item.
- If you answer Y to both Multiple Items and Multiple Lots, the location can contain different items and different batch/lots of each item.

Note: If you are using FIFO date integrity, without batch/lot control, an item with different FIFO dates can be stored in the same location because the system considers an item with different FIFO dates as different items.

When you define these codes for multiple locations, all locations in the range you create have the same values (Y or N). If you need to change some of your locations to have a different value for either or both fields, you must select the Individual Locations option in Change mode and make your changes on a location-by-location basis. The codes can be changed from N to Y at any time. They can be changed from Y to N only if the location is empty.

In Delete mode, the Multiple Items and Multiple Lots codes appear for informational purposes only and cannot be changed.

Update location quantities

Once you have built your locations, you must assign your items to those locations. If you have been using the IM application and you have established on hand quantities in the Item Balance file, you must assign an item's on hand quantity to its location(s) using Location Control maintenance. For example, if you have 100 on hand as reflected in the Item Balance record, you must assign these 100 to one or more locations in the Location Quantity file.

If you are installing IM and have no on hand balances in the Item Balance file, use Transaction Processing to add quantities to both files.

Using Transaction Processing

To assign location quantities is to enter transactions through normal transaction processing. If you use this method, make sure your Item Balance quantities are zero before processing any transactions. When you assign location quantities by this method, the Location Quantity and Item Balance files are updated to reflect your entries.

Use inventory receipt transactions or physical inventory count transactions. Do not use an Inventory Adjustment (IA) transaction; it will cause erroneous annual usage and Economic Order Quantity (EOQ) calculations.

Using Location Control maintenance

The ability to update location quantities is available through option 3, Location Detail, on the Location Control menu (AMIM79). A display lets you assign item quantities to their proper locations. If batch/lot and FIFO date controls are active, you must type in the associated batch/lot number and FIFO date for each controlled item quantity you assign to a location.

If you have already assigned QC controls to your items (and this should be done before adding location quantities), the system assigns the QC type and due date when the record is accepted. However, you can type in both the QC type and due date.

When you assign location quantities by this method, the Location Quantity file is updated to reflect your entries, but the on hand quantity in the Item Balance file is not updated. The Location Quantity file stores the actual quantity of an item in a specific location. This causes an out of balance condition between the Location Quantity file and the Item Balance file.

This same option also lets you change item quantities in their locations. However, doing so can cause the values in the Location Quantity and Item Balance files to be different. Changing your item quantities should be done with great care. Using location control maintenance creates an LA transaction to update inventory.

Run the location quantity audit

After you have assigned your location quantities, you should run the Location Quantity/Item Balance Audit report. This report compares the item quantities in the Item Balance file with the on hand quantities in the Location Quantity file to identify any discrepancies. Reject items and items waiting for inspection are not included in the totals. You can run this report through option 6, Location Quantity Audit, on the Location Control menu (AMIM79).

If you find discrepancies, you will first have to determine which file is in error. If you determine that the error is in the Item Balance file, you can process an Inventory Adjustment (IA) transaction which will correct the on-hand balance in the Item Balance record. Since the IA also adjusts the the Location Quantity record, you must then maintain the Location Quantity file by using option 3, Location Detail, on the Location Control menu (AMIM79). Change the location quantity record so the sum of all location records matches the quantity onhand of the Item Balance.

If the error is in the Location Quantity file, you need to determine which of your locations is in error (the audit shows total quantities for all locations). You can get a listing of location contents through option 5, Locations and Contents, on the File Listings menu (AMIM23). Once you determine where the error exists, you can correct it through option 3, Location Detail, on the Location Control menu (AMIM79).

Add miscellaneous items

The last step in preparing your system for use is adding any miscellaneous items to the Item Master file. Miscellaneous items are treated identically to inventory items except that they cannot be defined as allowing discrete allocations or FIFO date, batch/lot, or quality control. All transactions affecting miscellaneous items are processed through the Transaction Processing menu (AMIM30) using option 7, Miscellaneous Item Transaction, and are recorded in the Transaction History file. Adding miscellaneous items is done through Item Master file maintenance.

Using Electronic Commerce (EC) for EDI transactions

The Electronic Commerce (EC) application facilitates the movement of electronic data interchange (EDI) transactions in and out of MAPICS and also provides an interface between MAPICS and any EDI translator.

Overview

You can use EC to transfer shipping information electronically between IM and your trading partners using the following ANSI X.12 EDI transactions and the equivalent EDIFACT transactions:

ANSI	EDIFACT	Send	Receive	Description
858	DESADV		X	Advance shipping notice
861	N/A	X		Receiving advice

Transaction sets can be received from a trading partner using any third party translator program that can deliver to the AS/400 a flat file in a format defined by EC. From the flat file, EC processes the transactions into interface files where unique requirements of transaction sets and individual trading partners are implemented.

When you send transactions, EC formats the data into EDI segments to meet your transaction and trading partner requirements. A call to a program supplied by the translator or a user program then moves the data into the translator's EDI mailbox.

You need to complete EC application setup tasks before you can begin using this feature in IM. EC setup tasks include:

- Defining the translator software you will use.
- Defining trading partner relationships
- Defining transaction sets to be used for each trading partner.
- Designing formats for printing transaction sets (optional)

In each of the EC control files for Send transactions, you can select options, such as:

- Whether to send transactions to the EDI translator automatically, instead of holding them in EC interface files and manually calling the translator program later
- Whether to print paper copies of the transactions you send.

You use the EC application to maintain, delete, display, and print transaction sets, to work with user exits to alter the data in a transaction set, and to access the error log that is updated during the send or receive process. See the Electronic Commerce User's Guide for more information.

In order to send 861 receiving advice transactions from IM, you must update the Purchasing Vendor Master file by answering Y (yes) to Media Flag/EDI for receiving advice.

In order to send purchase planning schedules from MRP, you must complete an additional setup task in either Purchasing or IM:

- Update Purchasing Vendor Master file information with planning profile IDs created in MRP to apply schedules to all items purchased from a vendor, or

- Update IM Item Balance file information with planning profile IDs created in MRP to apply schedules to specific items.

As an alternative to EDI, documents also can be sent to trading partners by:

- Printing them manually and mailing them
- Faxing them manually
- Faxing them using a third-party vendor product

Advance Shipping Notice/Despatch Advice

IM receives ANSI X.12 856 (Advance Shipping Notice) or EDIFACT DESADV (Despatch Advice) transactions from trading partners. Advance shipping notices (ASNs) and despatch advices are electronic packing lists whose purpose is to facilitate the receiving function for the purchaser (IM). Usually an ASN or despatch advice is made up of a hierarchy of containers defining the configuration of the shipment. It is enabled primarily by use of shipping IDs for both the overall shipment, as well as individual containers within the shipment.

Within IM, you work with ASNs or despatch advices by selecting the Advance Shipping Notices option on the Transaction Processing menu, AMIM30. Using Work With lists, you can display, change, delete, and print information, as well as acknowledge receipt.

Receiving advice

IM sends ANSI X.12 861 (Receiving Advice) transactions to trading partners. The purpose of the Receiving Advice transaction is to acknowledge the receipt of a shipment.

You send receiving advice transactions using the Advance Shipping Notices option on the Transaction Processing menu, AMIM30. You can acknowledge both the initial receipt of a shipment, as well as verified receipt after all goods have been checked. Entering the appropriate action code next to an entry on the Work With list initiates the sending of the 861 transaction.

The receiving advice transaction is optional. Although you cannot send a receiving advice without having pre-defined advance shipping notices or despatch advices, you can receive advance shipping notices or despatch advices without sending out this notification of receipt.

Euro currency support

A new currency, the euro, will be introduced in Europe on January 1, 1999. You can use both the euro and your national currency during the transition period from January 1, 1999, to December 31, 2001. Beginning July 1, 2002, the euro will become the sole legal currency in the participating countries.

When your company converts to the euro, all the local currency fields in your MAPICS XA application must be converted from their national currency to the euro. When your trading partners convert to euro, you must be able to transact business in either the trading partner's national or the euro currency.

No functional enhancements are required for the IM application because IM does not use trading partner documents or trading currency fields. For more information about how MAPICS XA will handle the euro currency conversion, see the *Euro Currency Conversion Aid Guide*.

Chapter 3. Inquiry

Use the inquiry function to display current information about item quantities, item availability, open orders, sales, and manufacturing allocations. For example, you can quickly see if an item is available to service a high-priority order. If the item is not available, you can see when replenishment orders are due to arrive or look at the conflicting customer orders and manufacturing allocations to resolve conflicting needs for this item.

Option 1. Display Item Detail (AMIM10)	3-4
Option 2. Item Balance Detail—All Warehouses (AMIM10)	3-8
Option 3. Item Balance Detail—Mfg Allocations (AMIM10)	3-13
Option 4. Open Orders—By Item/Warehouse (AMIM10)	3-18
Option 5. Item Availability (AMIM10)	3-23
Option 6. Item Balance History—Sales (AMIM10)	3-28
Option 7. Purchase Orders—By Order (AMIM10)	3-34
Option 8. Location Detail—By Item/Warehouse (AMIM10)	3-42
Option 9. Warehouse Summary—By Item (AMIM10)	3-49
Option 10. Item Detail—By Location (AMIM10)	3-53
Option 11. Discrete Allocations (AMIM10)	3-59

If you select option 1 on the Main Menu, the Inquiry menu (AMIM10) appears. This menu has 11 options that allow you to look at inventory information.

```

AMIM10                Inventory Management                *****
                        Inquiry

Type option or command; press Enter.

  1. Display Item Detail
  2. Item Balance Detail - All Warehouses
  3. Item Balance Detail - Mfg Allocations
  4. Open Orders - By Item/Warehouse
  5. Item Availability
  6. Item Balance History - Sales
  7. Purchase Orders - By Order
  8. Location Detail - By Item/Warehouse
  9. Warehouse Summary - By Item
 10. Item Detail - By Location
 11. Discrete Allocations

==> _____

F3=Exit      F4=Prompt   F9=Retrieve   F10=Actions
F11=Job status F12=Return  F22=Messages

```

Option 1. Display Item Detail. Use this option to display the Item Master file data for a selected item.

Option 2. Item Balance Detail—All Warehouses. Use this option to display the Item Balance file data associated with all warehouses for a selected item.

Option 3. Item Balance Detail—Mfg Allocations. Use this option to display manufacturing allocations against a selected item/warehouse. It also shows the current status of those allocations.

Option 4. Open Orders–By Item/Warehouse. Use this option to select a specific warehouse to show configured items.

Option 5. Item Availability. Use this option to display the quantity on hand, total production allocations, scheduled receipts, and open customer orders for a selected item/warehouse.

Option 6. Item Balance History–Sales. Use this option to display sales and inventory information for a selected item/warehouse.

Option 7. Purchase Orders–By Order. Use this option to display detail for line items and blanket releases for open purchase orders.

Option 8. Location Detail–By Item/Warehouse. Use this option to display location detail information for a selected item/warehouse.

Option 9. Warehouse Summary–By Item. Use this option to display quality control summary information for a selected item.

Option 10. Item Detail–By Location. Use this option to display the details of a selected stock location.

Option 11. Discrete Allocations. Use this option to display the details of discrete allocation information by item, batch/lot, or order.

Note: If you want to interrupt this session and go to a secondary session, refer to the *AS/400 Display Station User's Guide* for information.

How to use inquiry

To determine the on hand quantity available for a specific item, use the Item Balance Detail All Warehouses (Inquiry) display (AMI1A1). If the quantity needed is less than the quantity available, you can end this inquiry. If you need more items than are available, you should use the Item Balance–Mfg Allocations (Inquiry) display (AMI1B1) to determine where and when the specific items are to be used.

You may need to use the Item Shortage–Follow-Up Analysis report (AMI4Q3) to see the detail of all manufacturing allocations, customer backlog, and scheduled receipts for the item by required date, or you may need to use the Manufacturing Order Status report (AMI2E) or the Purchase Order Status report (AMI2D) to get enough information to resolve the shortage.

If PC&C is installed and interfacing, you can use the Order Status Inquiry (on PC&C menu AMCM10) to get the information on each order. If there are discretely allocated items for customer delivery or for use in a manufacturing order on a date that is later than the date on which you are scheduled to receive a new supply, you may want to reallocate those items to an order currently being considered. If, however, you are unable to resolve your requirement from the allocated items, you can use the Open Orders Inquiry (Inquiry) display (AMI1D2) to find out when replenishment orders for an item are due to arrive. By rearranging the sequence of orders, you may be able to resolve the availability of the specific item.

The Item Availability (Inquiry) display (AMI1E1) shows the same type of information as the above inquiries, but customer order data is included.

You should be aware that the Pending Manufacturing Allocations field on most inquiry displays is simply a statement of the sum of pending allocations in IM and MRP. That is, it is a plan for allocations; the value has not yet been subtracted from the total quantity available.

Available quantities by location and/or lot can also be shown through inquiries. Inquiries about discrete allocations are available through option 11 on the Inquiry menu.

Transactions entered at a work station using immediate update are reflected in the master file data as soon as the transaction is accepted. The data in the inquiry display is current and thus can be different from the data in any reports printed.

Transactions entered using batch update (including all transactions entered from offline files) are not reflected in the master files until the Inventory Transaction Register is printed. Thus, any results obtained through the inquiry displays may not reflect the actual item status because of the pending transactions.

Contents	Index	Exit
--------------------------	-----------------------	----------------------

Option 1. Display Item Detail (AMIM10)

Use this option anytime you want to see information about an item in the Item Master file. This option takes you to the Item Detail panels within the Work With Items function.

For detailed information about how to use the work with lists, see *Working with MAPICS/XA*. For navigation information on work with lists and options, see Appendix F "Using work with panels".

Note: You see information in an item's B-record only if product costing was selected during application tailoring or if the full version of Material Requirements Planning is installed and interfacing. You see information in an item's C-record only if Purchasing is installed.

What information you need: The item number of each item for inquiry.

What reports are printed: None.

What forms you need: None.

AMVDIM00—Specify Item to Display

Use this panel to select the item detail you want to see.

This panel appears when you select option 1, Display Item Detail, on the PDM Inquiry menu (AMEM02); option 2, Item Master, on the Purchasing Inquiry menu (AM6M30) or option 1, Item Master, on the IM Inquiry menu (AMIM10).

```
AMVDIM00                Specify Item to Display
Type information; then press Enter.
Item number . . . . . aaaaaaaaaA15

F1=Help      F3=Exit      F5=Refresh      F11=Job status
F2=Cancel    F2=Messages
```

What to do

To display details about an item, type the item number and press **Enter**. Panel AMVDIM01 appears.

Function keys

F3=Exit causes the Inquiry menu to appear again.

F5=Refresh resets the entry field to blank.

F11=Job status shows a list of your current system and job information.

F12=Cancel returns to the previous panel.

F22=Messages shows a list of all the messages currently sent to this panel.

Fields

Item number(ITNBR). Required. Type in the number of the item whose details you want to see.

AMVDIM01—Display Item Detail

Use this panel to review detailed information for the item you selected. The pages of information appear in the following order unless you change the order on the Change Defaults panel (AMVDIM02):

- Item characteristics
- Engineering information
- Location control information
- Sales information
- Master scheduling information
- Costing parameters
- Costing summary
- Standard cost information
- Current cost information
- Purchasing information
- Vendor performance information
- Shipping information
- Costing maintenance dates

This panel appears when you type 5 next to an item number on the Work With Items panel (AMVWIM01).

```
AMVDIM01                Display Item Detail

Item number . . . . . *****

To select a page, type page and press Enter, or press Enter to continue.
                                                                    Page 1 of 12

Item characteristics
Item type . . . . . : *
Item class . . . . . : ****  ****
Value class . . . . . : *
Inventory flag . . . . . : **
Department number . . . . . : ****
Accounting class . . . . . : ***
Default stock location. . . . . : *****
Stocking unit of measure . . . . . : **
Carrying rate . . . . . : .***
Country of origin . . . . . : ***

F1=Help          F3=Exit          F5=Refresh
F7=Backward     F8=Forward       F12=Cancel      F24=More keys

F10=Header options  F11=Job status  F18=Change defaults  F22=Messages
                                                            F24=More keys
```

What to do

To find specific information, page forward to the category of information you want, or type the page number in the **Page n of n** field and press **Enter**. The appropriate page appears.

Contents	Index	Exit
--------------------------	-----------------------	----------------------

Function keys

F3=Exit causes the Inquiry menu to appear again.

F18=Change defaults causes the Change Defaults panel (AMVWIM02) to appear so you can change the order in which you see pages of information on the Display Item Detail panel.

F10=Header options includes the option **NO** to let you perform Notes tasks in addition to the standard Work With Items options.

Use online help to understand the other function keys.

Fields

Online help is available for all the fields on the panels. You also can refer to AMVT02, AMVT03, AMVT04, and AMVT05 in this manual for field descriptions.

[Contents](#)[Index](#)[Exit](#)

Option 2. Item Balance Detail—All Warehouses (AMIM10)

Use this option when you want to see the item balance detail for an item across all warehouses.

What information you need: The item number for each item you want to see.

What reports are printed: None.

What forms you need: None.

The basic steps to inquire about item balance detail for all warehouses follow each display.

[Contents](#)[Index](#)[Exit](#)

AMI1A1—Item Balance Detail All Warehouses (Inquiry)

Use this display to review current quantities for a selected item across all warehouses (if multiple warehouse support was selected during application tailoring). For example, you can use this display to help decide from which warehouse you should ship a sales order or to check the availability of an item for future manufacturing orders.

This display appears when you select option 2 on the Inquiry menu (AMIM10).

DATE	8/06/**	ITEM BALANCE DETAIL ALL WAREHOUSES				INQUIRY	AMI1A1	**
ITEM	aaaaaaaaaaaaA15	*****				U/M	**	TYPE *
ENG DWG	*****	CLS	***	WT	*****	UNIT COST	DFLT	*****
TAX IND	***					MAINT DATE	**/**/**	
WH	ON HAND	ALLOCATED	AVAILABLE	ORDER POINT	AVG UNIT COST			
***	*****	PEND ALOC	ON ORDER	SAFTY STOCK	*****			
		*****	***	*****	***			

F02 PAGE FORWARD
F10 CONFIGURED ITEMS
F24 END OF JOB

What to do

To look at the item balance detail for an item, type in the item number and press **Enter**. Display AMI1A1 appears again with the information.

Function keys

F02 PAGE FORWARD causes the next page of information for this item to appear until the message END appears onscreen. Pressing **F02** again causes the first page of information to appear again.

F10 CONFIGURED ITEMS causes the Select Warehouse window to appear. This function key appears only if KBC is interfacing and this item is a configured item.

F24 END OF JOB causes the Inquiry menu (AMIM10) to appear.

Fields

[?] appears next to a field name in the following field definitions to identify a field from which you can begin a master file search.

Except for **ITEM**, which is required, all of the fields on this display are informational only.

Contents	Index	Exit
-----------------	--------------	-------------

The fields in the heading come from the Item Master record while those under the column headings come from the Item Balance records.

The **UNIT COST DEFAULT**, **MKUP CODE**, **PCTS**, and **LAST**, **STAND**, or **AVG COST** fields do not appear on the display if you do not have the security level necessary for viewing and maintaining Item Master cost and price fields.

ITEM (ITNBR) [?]. Type in the number of the item for inquiry. When you have completed review of this item, you can select another item by typing over the Item Number onscreen, and then pressing **Enter**. The item balance detail for the new item number is then shown onscreen.

Description (ITDSC). The description of the item that appears on invoices, inquiries, and reports. This field appears to the right of the field **ITEM** but has no heading.

U/M (Unit of Measure) (UNMSR). The user-assigned code that defines the measurement basis for this item. Examples are EA (each), KG (kilogram), and CM (centimeter).

TYPE (Item Type Code) (ITTYP). The item type code that best describes the item. The available codes are listed below.

0	Phantom
1	Assembly or subassembly
2	Fabricated item
3	Raw material
4	Purchased item
9	User option
F	Feature

ENG DWG (Engineering Drawing Number) (ENGNO). The item's engineering drawing number.

CLS (Item Class) (ITCLS). The user-assigned code (from the Item Master file) that describes the classification to which this item belongs. For example, ST might be used to code all items made of steel.

WT (Unit Weight) (WEGHT). The weight of one unit of the item.

UNIT COST DFLT (Unit Cost Default) (UCDEF). The item's unit cost when the COST field in the Item Balance file is 0. The default is taken from the Item Master file.

TAX IND (STAXI). The user-defined sales tax indicator for the item that classifies the item for taxing during COM and AR activity.

MAINT DATE (Maintenance Date) (MDATE). The last date this item was modified through Item Master file maintenance.

WH (Warehouse) (HOUSE). The code (ID) of the warehouse in which this item is presently stocked.

ON HAND (MOHTQ). The quantity of this item presently in stock.

ALLOCATED. The total quantity of this item that is allocated for both released manufacturing orders and (if COM is installed and interfacing) sales order pick lists (MALQT + PLREQ).

Contents	Index	Exit
--------------------------	-----------------------	----------------------

PEND ALLOC (Pending Manufacturing Allocated). The total quantity of orders entered but not yet released and orders planned in MRP (MPALC + PALOC).

AVAILABLE. The net quantity of this item available for allocation. It is calculated as on hand plus on order minus released manufacturing and customer order allocations (MOHTQ + MPRPQ + MPUPQ - MALQT - PLREQ).

ON ORDER. The total quantity of this item presently open on manufacturing and purchase orders (MPRPQ + MPUPQ).

ORDER POINT (Order Point) (ORDPT). The quantity of this item below which an exception condition occurs and reorder is initiated. This value either is typed in during Item Balance file maintenance or, if it is 0, is calculated by the IM application.

This value can also be calculated by the Forecasting (FCST) application, if it is installed and interfacing.

SAFTY STOCK (Safety Stock) (SAFTY). The quantity of this item that is carried in excess of expected demand to meet unexpected increases in demand.

This value can be calculated by the Forecasting (FCST) application, if it is installed and interfacing.

LAST UNIT COST. This field appears as STD (standard) (STDUC), AVG (average) (AVCST), or LAST (last) (LCOST) depending on the type of costing you selected during application tailoring. If the designated unit cost field is 0 in the Item Balance record, the value shown in this field is taken from the **UNIT COST DEFAULT** field (UCDEF) in the Item Master record display.

AMI1A1W—Item Balance Detail All Warehouses (Select Warehouses)

Use this window to select a specific warehouses to show configured items.

This window appears when you use **F10 CONFIGURED ITEMS** on display AMI1A1—Item Balance Detail All Warehouses, and only if KBC is installed.

```
DATE **/**/**      ITEM BALANCE DETAIL ALL WAREHOUSES  INQUIRY  AMI1A1  **
ITEM aaaaaaaaaaA15      ***** U/M ** TYPE *
TAX CODES * * * *  MAINT DATE **/**/**

WH   ON HAND   ALLOCATED   AVAILABLE   ORDER POINT   LAST UNIT COST
                PEND ALOC   ON ORDER   SAFTY STOCK

+-----+
|                               |
|           Select Warehouse    |
|                               |
|           Warehouse aA3      |
|                               |
| F1=Help  F12=Cancel          |
+-----+

                                F02 PAGE FORWARD
                                F10 CONFIGURED ITEMS
                                F24 END OF JOB
```

What to do

Type in the 3-character warehouse ID.

Function keys

F1=Help causes the help for this window to appear.

F12=Cancel causes display AMI1A1 to appear.

Fields

[?] appears next to a field name in the following field definitions to identify a field from which you can begin a master file search.

Warehouse [?]. Type in a warehouse ID. If the warehouse ID is not one that appeared on display AMI1A1, no configuration data will appear. If the warehouse ID appeared on display AMI1A1, the KBC Configured Items display (TCFAA1) appears.

[Contents](#)[Index](#)[Exit](#)

Option 3. Item Balance Detail–Mfg Allocations (AMIM10)

Use this option when you want to see the manufacturing allocations for an item/warehouse.

What information you need: The item number and warehouse ID for each item and warehouse you want to see.

What reports are printed: None.

What forms you need: None.

The basic steps to inquire about item balance detail for manufacturing allocations follow each display.

[Contents](#)[Index](#)[Exit](#)

AMI1B1—Item Balance Inquiry—Mfg Allocations (Inquiry)

Use this display to see where and when a selected component item is required for manufacturing. You can use this display to help resolve potential shortages in high priority orders.

This display appears when you select option 3 on the Inquiry menu (AMIM10).

```

DATE 8/06/**      ITEM BALANCE INQUIRY - MFG ALLOCATIONS INQUIRY  AMI1B1 **
ITEM aaaaaaaaaaA15 WH aA3 ***** U/M ** TYP * CL ****
ENG DWG ***** WT ****. **  AVG COST          .**** MAINT **/**/**
PEND ALLOC ***** MFG ALLOC ***** CUST ALLOC *****
NET AVAIL ***** QTY ON HAND ***** QTY ON ORDER *****
MRP FLAG * FLOOR STOCK CODE *
ORDER/  QTY REQ'D  ISS QTY  UNISSUED  ST REQ DATE  LAST ISS  CUST/JOB
  SCHED
*****  **.* **  **.* **      .000  ** **/**/** **/**/**
*****  **.* **  **.* **      **.* **  ** **/**/** **/**/** *****

```

*** END ***

F02 PAGE FORWARD
F10 CONFIGURED ITEMS
F24 END OF JOB

What to do

To look at the manufacturing allocations for another item, type in the item number and warehouse and press **Enter**. AMI1B1 appears again with the new item.

Function keys

F02 PAGE FORWARD causes the next page of information for this item to appear until the message END appears. Pressing **F02** again causes the first page of information to appear.

F10 CONFIGURED ITEMS causes the KBC Configured Items display (TCFAA1) to appear. This function key appears only if KBC is interfacing and this item is a configured item.

F24 END OF JOB causes the Inquiry menu (AMIM10) to appear.

Fields

[?] appears next to a field name in the following field definitions to identify a field from which you can begin a master file search.

Contents	Index	Exit
-----------------	--------------	-------------

The first two lines of fields are from the Item Master file, the next three lines are from the Item Balance file, and the fields under the column headings are from the Manufacturing Order Detail file.

The **STD**, **LAST**, or **AVG COST** field does not appear on the display if you do not have the security level necessary for viewing and maintaining Item Master cost fields.

ITEM (CITEM) [?]. Required. Type in the number of the component item for inquiry. When you have completed review of this item, you can select another component by typing over the Item Number on the display, and then pressing **Enter**. The manufacturing allocation information for the new item number is then shown onscreen.

WH (CITWH). Required if you have multiple warehouses in the Warehouse Master file. If you have multiple warehouses defined in the Warehouse Master file, type in the code of the warehouse associated with the item. If you have only one warehouse, the warehouse defined in the Warehouse Master file appears in this field and cannot be changed.

Description (ITDSC). The description of the item that appears on invoices, reports, and inquiries. This field appears to the right of the WH field but has no heading.

U/M (Unit of Measure) (UNMSR). The user-assigned code that defines the measurement basis for this item. Examples are EA (each), KG (kilogram), and CM (centimeter).

TYP (Item Type Code) (ITYP). The item type code that best describes the item. Select one of the following available codes:

0	Phantom
1	Assembly or subassembly
2	Fabricated item
3	Raw material
4	Purchased item
9	User option
F	Feature
K	Kit

CL (Item Class) (ITCLS). The user-assigned code that describes the classification to which this item belongs. For example, ST might be used to code all items made of steel.

ENG DWG (Engineering Drawing Number) (ENGNO). The item's engineering drawing number.

WT (Unit of Weight) (WEGHT). The weight of one unit of the item.

STD COST (Standard Unit Cost) (STDUC). The field name changes to AVG COST (average) (AVCST), or LAST COST (LCOST) depending on the costing option selected during application tailoring. If the designated unit cost field in the Item Balance record is 0 (zero), then the unit cost default is taken from Item Master file.

MAINT (Maintenance Date) (MDATE). The last date this item was modified through Item Balance file maintenance.

Contents	Index	Exit
--------------------------	-----------------------	----------------------

PEND ALLOC (Pending Manufacturing Allocations). The total quantity of orders entered but not yet released in IM and orders planned in MRP (MPALC + PALOC).

MFG ALLOC (Manufacturing Allocated) (MALQT). The total quantity of this component allocated to released manufacturing orders.

CUST ALLOC (Customer Allocated) (PLREQ). The total quantity of this item allocated to customer orders. This field is active only when COM is installed and interfacing.

NET AVAIL (Net Available). The net quantity of this component available for allocation. It is calculated as on hand plus on order minus released manufacturing and customer order allocations (MOHTQ + MPRPQ + MPUPQ - MALQT - PLREQ).

QTY ON HAND (Quantity on Hand) (MOHTQ). The quantity of this component presently in stock.

QTY ON ORDER (Quantity on Order). The total quantity of this component presently open on manufacturing and purchase orders (MPRPQ + MPUPQ).

MRP FLAG (Requirements Planning Activity Flag) (RPFLG). These codes indicate whether any activity for this component has invalidated the requirements planning:

- 0** No activity
- 1** Activity
- 2** Planning exception

FLOOR STOCK CODE (FLSTK). This code indicates if this component is controlled or uncontrolled floor stock.

- blank** Not a floor stock item
- C** Controlled
- U** Uncontrolled

ORDER NO (Order Number) (ORDNO). The field name changes to **ORDER/ SCHED** if REP is installed and interfacing. It shows the manufacturing orders or schedules for which allocations were made against this item/warehouse.

QTY REQ'D (Quantity Required) (QTREQ). The quantity of this component originally allocated for the manufacturing order.

ISS QTY (Issue Quantity) (ISQTY). The quantity of this component that has been issued to the manufacturing order.

UNISSUED. The quantity of this component remaining to be issued to the manufacturing order (QTREQ - ISQTY).

ST (Order Status) (OSTAT). One of the following codes is used to indicate the current status of the open order or released schedule:

- 10** Order released, no activity.
- 40** Order started, activity reported.
- 45** Material received to stock complete.
- 50** Labor complete.
- 55** Order complete - both material and labor.
- 99** Order canceled.

Contents	Index	Exit
--------------------------	-----------------------	----------------------

REQ DATE (Required Date) (REQDT). The date this component is expected to be needed for the manufacturing process.

LAST ISS (Date of Last Issue) (LISDT). The date this component was last issued to the manufacturing order. If REP is installed and interfacing, this field is blank.

CUST/JOB (Customer Order or Job Number) (JOBNO). The number that associates this order with a particular customer order or with other manufacturing orders. If the manufacturing order has been released, the job number contains the company number, order type, and order number of the customer order from COM. Otherwise, use this field as a user-defined reference field during manufacturing order entry.

If COM is installed and interfacing with IM, a customer order number includes the company number and order type of the associated customer order.

[Contents](#)[Index](#)[Exit](#)

Option 4. Open Orders–By Item/Warehouse (AMIM10)

Use this option when you want to see the order status information for an item/warehouse.

What information you need: The item number and warehouse ID for each item and warehouse you want to see.

What reports are printed: None.

What forms you need: None.

The basic steps to inquire about open orders by item and warehouse follow each display.

Contents	Index	Exit
--------------------------	-----------------------	----------------------

The **STND**, **LAST**, or **AVG COST** field does not appear on the display if you do not have the security level necessary for viewing and maintaining Item Master cost fields.

ITEM (ITNBR) [?]. Required. Type in the number of the item for inquiry. When you have completed review of this item, you can select another item by typing over the Item Number in the display and then pressing the **Enter** key. The open order or released schedule information for the new item number then appears.

WHSE (HOUSE). Required only if you have multiple warehouses defined in the Warehouse Master file. If you have multiple warehouses defined in the Warehouse Master file, type in the code of the warehouse associated with the item. If you have only one warehouse, the warehouse defined in the Warehouse Master file appears in this field and cannot be changed.

As with the item number above, you can select the next warehouse by typing over the warehouse code on the display.

Description (ITDSC). The description of the item that appears on invoices, reports, and inquiries. This field appears to the right of **WHSE** but has no heading.

U/M (Unit of Measure) (UNMSR). The user-assigned code that defines the measurement basis for this item. Examples are EA (each), KG (kilogram), and CM (centimeter).

TYPE (Item Type Code) (ITTYP). The item type code that best describes the item. The available codes are listed below:

0	Phantom
1	Assembly or subassembly
2	Fabricated item
3	Raw material
4	Purchased item
9	User option
F	Feature

CLS (Item Class) (ITCLS). The user-assigned code that describes the classification to which this item belongs. For example, ST might be used to code all items made of steel.

ENG DWG (Engineering Drawing Number) (ENGNO). The item's engineering drawing number.

WT (Unit Weight) (WEGHT). The weight of one unit of the item.

STND COST (Standard Unit Cost) (STDUC). The field name changes to **AVG COST** (average) (AVCST), or **LAST COST** (LCOST) depending on the costing option selected during application tailoring. If the designated unit cost field in the Item Balance record is 0 (zero), then the unit cost default is taken from Item Master file.

M/DATE (Maintenance Date) (MDATE). The last date this item was modified through Item Balance file maintenance.

PEND ALLOC (Pending Manufacturing Allocations). The total quantity of orders entered but not yet released in IM and orders planned in MRP (MPALC + PALOC).

Contents	Index	Exit
-----------------	--------------	-------------

MFG ALLOC (Manufacturing Allocated) (MALQT). The total quantity of this item allocated to released manufacturing orders or schedules.

CUST ALLOC (Customer Allocated) (PLREQ). The total quantity of this item allocated to customer orders. This field is active only when COM is installed and interfacing.

NET AVAIL. The net quantity of this item that is available for allocation. It is calculated as on hand plus on order minus released manufacturing and customer order allocations (MOHTQ + MPRPQ + MPUPQ - MALQT - PLREQ).

QTY ON HAND (MOHTQ). The quantity of this item presently in stock.

QTY ON ORDER. The total quantity of this item presently open on purchase and manufacturing orders or schedules. (MPRPQ + MPUPQ).

MRP FLAG (Requirements Planning Activity Flag) (RPFLG). These codes indicate whether any activity for this item has invalidated the requirements plan:

- 0** No activity
- 1** Activity
- 2** Planning exception

FLOOR STOCK CODE (FLSTK). This code indicates if this item is controlled or uncontrolled floor stock.

- blank** Not a floor stock item
- C** Controlled
- U** Uncontrolled

ORD NO. (ORDNO). The field name appears as **ORDER/SCHED** if REP is installed and interfacing. It shows the manufacturing orders or schedules for which open orders exist.

VND/JOB (VNDNR or JOBNO). The vendor number for a purchase order or the job number for a manufacturing order that can be used to reference the purchase or manufacturing order.

ST (Order Status). One of the following codes is used to indicate the current status of the open order or released schedule:

Manufacturing Order Status Codes (OSTAT).

- 10** Order released, no activity.
- 40** Order started, activity reported.
- 45** Material received to stock complete.
- 50** Labor complete.
- 55** Order complete - both material and labor.
- 99** Order canceled.

Purchase Order Status Codes (STAIC).

- 10** Released
- 20** Received to dock
- 30** Received to inspection
- 40** Received to stock
- 50** Order complete
- 99** Order canceled

Contents	Index	Exit
--------------------------	-----------------------	----------------------

ORD QTY (ORQTY). The original order quantity.

QTY OPEN. The remaining quantity yet to be received into stock on the order (ORQTY + QTDEV - QTSPL - QTSCP - QTYRC). If yield is applied to the order, actual scrap is not subtracted from the order quantity until it exceeds the planned order scrap.

DUE DATE (ODUDT or DUEDT). The date the quantity open is due to be in stock.

If PC&C is installed and interfacing, the following three fields are active:

HOURS REM (Hours Remaining) (HRREM). The number of hours of work remaining on an open manufacturing order. If REP is installed and interfacing, this field is blank.

CURRENT OPER (OPCUR). The number of the operation where the order is presently in process. If REP is installed and interfacing, this field is blank.

CURRENT W/C (Work Center ID) (WCCUR). The work center where the manufacturing order is presently located. If REP is installed and interfacing, this field is blank.

RC (Reschedule Code) (ORRC). Code used to indicate whether or not an individual manufacturing order or purchase order line item can be rescheduled automatically by the system.

- 0** Default to item reschedule code. This is the default.
- 1** Cannot be rescheduled automatically
- 2** Can be scheduled out
- 3** Can be scheduled in
- 4** Can be scheduled both out and in

[Contents](#)[Index](#)[Exit](#)

Option 5. Item Availability (AMIM10)

Use this option when you want to see the item availability information for an item/warehouse.

What information you need:

- The item number and warehouse ID for each item and warehouse you want to see
- The dates for which you want to check item availability.

What reports are printed: None.

What forms you need: None.

The basic steps to inquire about item availability follow each display.

AMI1E1—Item Availability (Inquiry)

Use this display to see quantity on hand, total production allocations, detailed scheduled receipts, detailed customer orders, backorder detail, and net quantity available for a selected item/warehouse. This information can be time-phased for up to three periods by entering **DATE1** and **DATE2** on the display. This display can help you determine a realistic ship date for commitment to customers.

The body of the display is in two sections. The first section contains one line for each open replenishment order from the Purchase Order Item Detail file and the Manufacturing Order Detail file showing the order number, vendor or job number, order status code, due date, and the quantity under the appropriate date column, according to whether the due date is before **DATE1**, before **DATE2**, or after **DATE2**. If REP is installed and interfacing, **ORDER NO.** becomes **ORDER/SCH** and is capable of showing the schedule number of the item. **DUE DATE** is also capable of showing due dates for schedules if REP is installed and interfacing.

The second section contains two lines for each customer order backlog record from the Customer Order Detail file showing sales order number, customer number, manufacturing due date, required date, and quantity under the appropriate date.

The net available under the **DATE1** column is the on hand quantity minus the manufacturing allocations plus scheduled receipts due to arrive by **DATE1** minus customer orders due to be shipped by **DATE1**. The net available under the **DATE2** column is the available quantity from the **DATE1** column plus scheduled receipts due to arrive by **DATE2** minus customer orders due to be shipped by **DATE2**.

This display appears when you select option 5 on the Inquiry menu (AMIM10).

```

DATE **/**/**          ITEM AVAILABILITY          INQUIRY          AMI1E1 **
ITEM aaaaaaaaaaA15 WHSE aA3 *****
                                QTY ON HAND          ***.***          DATE 1 *****
                                MFG ALLOCATIONS       ***.***          DATE 2 *****
                                PEND MFG ALLOCATIONS  ***
                                DATE 1                DATE 2          ALL
                                **/**/**            **/**/**        OTHER
                                -----
SCHEDULED RECEIPTS
ORDER/SCH  VEND/JOB  STAT DUE DATE          ***.***          *****
*****    *****  ** **/**/**          ***.***          *****
*****    *****  ** **/**/**          ***.***          *****
*****    *****  ** **/**/**          ***.***          *****
*****    *****  ** **/**/**          ***.***          *****
*****    *****  ** **/**/**          ***.***          *****
*****    *****  ** **/**/**          ***.***          *****
*****    *****  ** **/**/**          ***.***          *****
*****    *****  ** **/**/**          ***.***          *****
*****    *****  ** **/**/**          ***.***          *****
*** CONTINUED ***
                                F02 PAGE FORWARD
                                F24 END OF JOB
    
```

What to do

To look at the item availability for an item/warehouse, type in the item number, warehouse, and, optionally, the dates for which you want to check item availability. Press **Enter**.

Contents	Index	Exit
--------------------------	-----------------------	----------------------

This display appears again with information for the item/warehouse and dates you requested.

Function keys

F02 PAGE FORWARD causes successive pages of information for this item to appear until the message END appears. Pressing **F02** with that message onscreen causes the first page of information to appear.

F10 CONFIGURED ITEMS causes the KBC Configured Items display (TCFAA1) to appear. This function key appears only if KBC is interfacing and this item is a configured item.

F24 END OF JOB causes the Inquiry menu (AMIM10) to appear again.

Fields

[\[?\]](#) appears next to a field name in the following field definitions to identify a field from which you can begin a master file search.

ITEM (ITNBR) [?]. Required. Type in the number of the item for inquiry. When you have completed review of this item, you can select another item by typing over the item number shown and pressing **Enter**. The item availability information for the new item number appears.

WHSE (HOUSE). Required if you have multiple warehouses defined in the Warehouse Master file. Type in the code of the warehouse associated with the item. If you have only one warehouse, the warehouse defined in the Warehouse Master file appears in this field and cannot be changed.

As with the **ITEM** field, you can select the next warehouse by typing over the warehouse code shown in this field.

Description (ITDSC). The description of the item that appears on invoices, inquiries, and reports. This field appears to the right of the field **WHSE** but has no heading.

DATE 1 and DATE 2. You can type dates into these fields to cause totals to be calculated and shown prior to the first date, between the two dates, and after the second date.

If one date is entered, both dates must be entered. The data that appears under **DATE1** are those quantities open on orders that are due on or prior to **DATE1**. The data that appears under **DATE2** are quantities open on orders due after **DATE1** and on or before **DATE2**. Any orders that are due after **DATE2** appear under **ALL OTHER**. If you do not specify such dates, one set of totals appears in the **ALL OTHER** column.

Note: The ***** above the date fields is shown as MMDDYY, DDMMYY, or YYMMDD, depending on the date format you specified for the AS/400.

QTY ON HAND (MOHTQ). The quantity of this item presently in stock.

MFG ALLOCATIONS (MALQT). The quantity of the item allocated to released manufacturing orders.

PEND MFG ALLOCATIONS (MPALC). The quantity of this item allocated for manufacturing orders ready for release.

SCHEDULED RECEIPTS.

ORDER NO (ORDNO): The field name appears as **ORDER/SCH** if REP is installed and interfacing. The number of the open purchase order, manufacturing order, or schedule for this item.

VEND/JOB (VNDNR or JOBNO): The vendor number for a purchase order or the job number for a manufacturing order that can be used to reference the purchase or manufacturing order.

STAT (Order Status): One of the following codes is used to indicate the current status of the open order or released schedule:

Manufacturing Order Status Codes (OSTAT).

10	Order released, no activity.
40	Order started, activity reported.
45	Material received to stock complete.
50	Labor complete.
55	Order complete - both material and labor.
99	Order canceled.

Purchase Order Status Codes (STAIC).

10	Released
20	Received to dock
30	Received to inspection
40	Received to stock
50	Order complete
99	Order canceled

DUE DATE (ODUDT or DUEDT). The date the item on these manufacturing orders, purchase orders, or schedules (if REP is installed and interfacing) is due to be in stock.

CUSTOMER ORDERS. The customer order backlog information comes from the Customer Order Detail file and appears only if COM is installed and interfacing.

ORDER NO (ORDNO). The number of the open customer order for the item.

If COM is installed and interfacing with IM, a customer order number includes the company number and order type of the associated customer order.

CUST NO (CUSNO). Unique identifier for this customer.

B/O (Backorder Code).

blank	The item on this order is not backordered.
B	The item on this order is backordered.

MFG DATE (MFIDT). The manufacturing due date for the customer order line item or blanket release entered in COM.

REQ DATE (Request Date) (RQIDT). The delivery date for the item on this order, as requested by this customer.

Contents	Index	Exit
--------------------------	-----------------------	----------------------

NET AVAILABLE. The net available under the **DATE1** column is the quantity on hand minus the manufacturing allocations plus scheduled receipts due to arrive by **DATE1** minus customer orders due to be shipped by **DATE1**.

The net available under the **DATE2** column is the available quantity from the **DATE1** column plus scheduled receipts due to arrive by **DATE2** minus customer orders due to be shipped by **DATE2**.

The net available under the **ALL OTHER** column is the available quantity from the **DATE2** column plus scheduled receipts due to arrive after **DATE2** minus customer orders due to be shipped after **DATE2**.

[Contents](#)[Index](#)[Exit](#)

Option 6. Item Balance History–Sales (AMIM10)

Use this option when you want to see the current sales information for an item/warehouse.

What information you need: The item number and warehouse ID for each item and warehouse you want to see.

What reports are printed: None.

What forms you need: None.

The basic steps to inquire about item balance history-sales inquiry follow each display.

[Contents](#)[Index](#)[Exit](#)

AMI1C1—Item Balance Inquiry – Sales History (Inquiry)

Use this display to see current sales information, as well as inventory information, for a selected item/warehouse.

This display appears when you select option 6 on the Inquiry menu (AMIM10).

```

DATE **/**/**      ITEM BALANCE INQUIRY - SALES HISTORY  INQUIRY  AMI1C1  **
ITEM aaaaaaaaaaA15 WHSE aA3 ***** U/M ** TYPE *
CLASS **** WH STOCK LOC ***** PACKING CODE ** PLANNER ***** IT AC CL ***

      BASE PRICE      UNIT COST  TAX IND WEIGHT      DATE OF LAST
***** **          ***** **   ** ** ** **   SALE **/**/** USAGE **/**/**

      ON HAND      PENDING      ALLOCATED      AVAILABLE      ON ORDER
***** **          ***** **   ***** **   ***** **   ***** **

      SALES QTY      SALES AMOUNT      AVG MONTHLY SALES
***** **          ***** **   EST ANNUAL USAGE      QTY USED
M-T-D ***** **          ***** **   ***** **          ***** **
Y-T-D ***** **          ***** **   ***** **          ***** **

*----- LEAD TIME -----* ORD PT  SAFETY STK
          CODE *          ***** **   ***** **

MFG      STD  VAR  ADJ  AVG  CMLT  REV  VEN  SAF  VENDOR COST DEV CODE
PUR      *  *  *  *  *  *  *  *  *  *  *  *  *
MAT'L    *  *  *  *  *  *  *  *  *  *  *  *  *

                                F02 PAGE FORWARD
                                F24 END OF JOB

```

What to do

To look at the current sales information for an item/warehouse, type in the item and warehouse and press **Enter**. Display AMI1C1 appears with the item you requested.

Function keys

F02 PAGE FORWARD causes the next page of information for this item to appear when you have chosen multiple warehouse support. Each new page shows the same item in the next warehouse stored in your warehouse array in the System Control file. Pressing **F02** again eventually causes the first page of information to appear again.

Note: **F02** is not active for a single warehouse system.

F24 END OF JOB causes the Inquiry menu (AMIM10) to appear again.

Fields

[?] appears next to a field name in the following field definitions to identify a field from which you can begin a master file search.

The first three lines of fields and the lead times are from the Item Master file. The quantity fields are from the Item Balance file.

Contents	Index	Exit
--------------------------	-----------------------	----------------------

The **BASE PRICE**, **LAST**, **STND** or **AVG UNIT COST** fields do not appear on the display if you do not have the security level necessary for viewing and maintaining Item Master cost and pricing fields.

ITEM (ITNBR) [?]. Required. Type in the number of the item for inquiry. When you have completed review of this item, you can select another item by typing over the item number shown and pressing **Enter**. The item balance sales history for the new item number is then shown.

WHSE (HOUSE). Required if you have multiple warehouses defined in the Warehouse Master file. Type in the code of the warehouse associated with the item. If you have only one warehouse, the warehouse defined in the Warehouse Master file appears in this field and cannot be changed.

You can select another warehouse by typing over the warehouse code shown or using **F02** to page forward to the next warehouse you want to see.

Description (ITDSC). The description of the item that appears on invoices, inquiries, and reports. This field appears to the right of the **WHSE** field, but has no heading.

U/M (Unit of Measure) (UNMSR). The user-assigned code that identifies the measurement basis for this item. Examples are EA (each), KG (kilogram), and CM (centimeter).

TYPE (Item Type Code) (ITTYP). The item type code that best describes the item. Select one of the following codes:

0	Phantom
1	Assembly and subassembly
2	Fabricated
3	Purchased
9	User option
F	Feature

CLASS (Item Class) (ITCLS). A user-assigned code that identifies the classification to which this item belongs. For example, ST might be used to identify all of those items made of steel.

WH STOCK LOC (Warehouse Stock Location) (WHSLOC). The code (as stored in the Item Balance file) that identifies the location of the item within the warehouse. For components used in REP, it serves as the default supply location.

PACKING CODE (PACKC). The appropriate Interstate Commerce Commission (ICC) packing code for this item.

PLANNER (PLANN). The user-assigned code that identifies the person responsible for planning the replenishment strategy for this item. If installed and interfacing, MRP uses this field as a limit selection and for sequencing Order Status reports.

IT AC CL (Item Accounting Class). [Class, defined by your company, to group or classify items for accounting purposes.](#)

BASE PRICE (PRICE). The unit price used with the Discount/Markup code and unit price discount/markup percent in determining the selling price (used by COM if installed and interfacing with IM).

Contents	Index	Exit
--------------------------	-----------------------	----------------------

LAST UNIT COST. This field appears as STND (standard) (STDUC), AVG (average) (AVCST), or LAST (last) (LCOST) depending on the type of costing you selected during application tailoring. If the designated **UNIT COST** field is 0 in the Item Balance record, the value in this field is taken from the **UNIT COST DEFAULT** field (UCDEF) in the Item Master record.

TAX IND (STAXI). The user-defined sales tax indicator for the item, classifying the item for taxing during COM and AR activity.

WEIGHT (Unit Weight) (WEGHT). The weight of one unit of this item.

DATE OF LAST.

SALE (DOFLS). The date this item was last sold.

USAGE (DOFLU). The date this item was last withdrawn from stock for any reason.

ON HAND (MOHTQ). That quantity of this item presently in stock.

PENDING (Pending Manufacturing Allocated) (MPALC). The quantity of this item allocated for manufacturing orders ready for release.

ALLOCATED. The total quantity of this item allocated to released manufacturing orders and, if COM is installed and interfaced, to fill customer order pick lists (MALQT + PLREQ).

AVAILABLE. The quantity of this item available for allocation. It is calculated as on hand plus on order minus released manufacturing and customer order allocations (MOHTQ + MPRPQ + MPUPQ - MALQT - PLREQ).

ON ORDER. The total quantity of this item presently open on manufacturing and purchase orders (MPRPQ + MPUPQ).

M-T-D and Y-T-D (Period/Month-to-Date and Year-to-Date). If you indicated during application tailoring that you wanted 13-period or 12-month accounting, this field appears as either P or M.

SALES QTY (QTSMO and QTSYR). The quantity of this item sold for the current period or month and year-to-date.

SALES AMOUNT (AMSMO and AMSYR). The sales amount for this item for the current period or month and year-to-date.

AVG MONTHLY SALES (AVSAL). If you indicated during application tailoring that you wanted 13-period or 12-month accounting, this field appears as either PERIOD or MONTHLY. The system recalculates the average sales every time you run period-end close or year-end close.

EST ANNUAL USAGE (EAANU). The estimated average annual usage quantity of this item. This average is recalculated every time you run period-end close or year-end close.

QTY USED (USEMO and USEYR). The quantity of this item used this period-to-date or month-to-date and year-to-date. This includes both items sold and items removed from stock but not sold.

Contents	Index	Exit
--------------------------	-----------------------	----------------------

ORD PT (Order Point) (ORDPT). The quantity of this item below which an exception condition occurs to initiate reorder. This value either is typed in during Item Balance file maintenance or, if it is 0, is calculated by the IM application.

This value can also be calculated by the Forecasting (FCST) application, if it is installed and interfacing.

SAFETY STK (Safety Stock) (SAFTY). The quantity of this item carried in excess of expected demand to meet unexpected increases in demand. This value can be calculated by the Forecasting (FCST) application, if it is installed and interfacing.

LEAD TIME CODE (LTCOD). This field contains either an M (manufacture) or P (purchase) to indicate whether manufacturing or purchase lead times and adjustments are used in calculating lead time for this item.

The fields on this display are described in groups as shown on the display for continuity, rather than in the normal cursor movement order.

LEAD TIME MFG, PUR, and MAT'L. These are the lead times for a standard lot of an item expressed in working days, as follows:

STD MFG (Standard Manufacturing) (LTMAN). The number of days between order release and its completed receipt to stock. It is the time required to produce an item assuming all components are available for a single level bill of material.

VAR MFG (Variable Manufacturing) (LTVAM). This is the portion of **STD MFG** that is dependent on the quantity produced. It is the run time for all operations that do not have a fixed length of time per standard lot.

ADJ MFG (Adjustment Manufacturing) (LTADM). The number of days required for quantity-independent administrative activities such as review and requisition processing time prior to order release.

AVG MFG (Average Manufacturing) (LTMAV). The weighted average number of days between order release and its completed receipt to stock.

CMLT MFG (Cumulative Manufacturing) (CMFLT). The total number of days to produce an item assuming all purchased items at every level of the bill of material are in stock. This field can also be manually maintained.

STD PUR (Standard Purchased) (LTPUR). The number of days between creation of a requisition and receipt of the item at the dock. It is the sum of **REV PUR**, **VEN PUR**, and **SAF PUR**.

ADJ PUR (Adjustment Purchased) (LTADP). The number of days between receipt of the item at the dock and receipt to stock.

AVG PUR (Average Purchased) (LTPAV). The weighted average number of days between purchase order release and receipt of the item to stock.

REV PUR (Review Purchasing) (LTREV). The number of days between creation of the requisition and release of the order to the vendor.

VEN PUR (Vendor Purchasing) (LTVEN). The vendor-quoted number of days between the vendor's receipt of your order and delivery to your dock.

[Contents](#)[Index](#)[Exit](#)

SAF PUR (Safety Purchasing) (LTSAF). The number of days allocated for unexpected delays.

Note: *REV PUR*, *VEN PUR*, and *SAF PUR* appear only if Purchasing is installed and interfacing.

CMLT MAT'L (Cumulative Material) (CMTLT): This is the total number of days to produce an item assuming no material is on hand. It is the sum of the longest standard purchasing or standard manufacturing lead time at each level rolled up through the bill of material. This field can also be manually maintained.

VENDOR (VNDNR). The number of the primary supplier of this item.

COST DEV CODE (Cost Deviation Code) (AVCDV). This code indicates whether the new unit cost of this item deviates significantly from the previous unit cost.

0 Cost within limits
1 Cost exceeds limits

This code is changed from 0 to 1 whenever the new unit cost of this item exceeds the variance percentage allowed that you chose during application tailoring. The processing of a costed receipt or a cost adjustment transaction can cause the cost deviation code to be set to 1. The code is reset to 0 during Period Close activities when the Period-End/Year-End Inventory Stock Status report (AMI6C) is scheduled for printing.

[Contents](#)[Index](#)[Exit](#)

Option 7. Purchase Orders–By Order (AMIM10)

Use this option when you want to see the current quantity information for items and blanket releases on a selected purchase order.

What information you need: The purchase order number, and optionally the item number and warehouse, for each purchase order you want to see.

What reports are printed: None.

What forms you need: None.

The basic steps to inquire about purchase orders by order follow each display.

[Contents](#)[Index](#)[Exit](#)

AMI1F1—Purchase Order Inquiry by Order (Inquiry) (line item detail)

Use this display to see current quantities for items in a selected purchase order. You can use this display to verify materials received from the vendor.

This display appears when you do not have Purchasing installed and you select option 7 on the Inquiry menu (AMIM10), you type in only a purchase order number on this display or display AMI1F2 and press **Enter**, or you type in an incorrect purchase order number, item number, and warehouse on display AMI1F2.

If you have Purchasing installed different displays appear for Purchase Order Inquiry. For more information on these displays, refer to the *Purchasing User's Guide*.

```

DATE **/**/**          PURCHASE ORDER INQUIRY BY ORDER   INQUIRY   AMI1F1  **
ORDER aaaaaA7        ITEM aaaaaaaaaaaaA15    WHSE aA3  SEQUENCE nnn

ITEM   WH   RSCH   DESCRIPTION          VENDOR
DUE DATE UM   SEQ   ST   QT-ORD   RC-STK   QT-DEV   RC-DOCK
CATALOG NO.   QT-OPEN   SCRAP   RC-INSP
** ***** ** * ***** ***** ***** *****
**/**/** ** ** * ***** ***** ***** *****
***** ** * ***** ***** ***** *****
** ***** ** * ***** ***** ***** *****
**/**/** ** ** * ***** ***** ***** *****
***** ** * ***** ***** ***** *****
** ***** ** * ***** ***** ***** *****
**/**/** ** ** * ***** ***** ***** *****
***** ** * ***** ***** ***** *****

```

F02 PAGE FORWARD ITEM
F24 END OF JOB

What to do

- To look at the current quantity information for a purchase order, type in the purchase order number and press **Enter**. This display appears again with information for the item on the purchase order you requested.
- To look at the current quantity information for a purchase order with blanket releases, type in the purchase order number, item number, and warehouse ID and press **Enter**. Go to display AMI1F2.
- To review the items for a specific purchase order, type in the purchase order number and leave the **Item number** and **Warehouse** fields blank.
- To review a specific item and its blanket release detail records, type in the purchase order number, item number, and warehouse ID.
- If a conversion is required from stocking unit of measure to purchase unit of measure for an item, a second line of converted quantities appears with the purchase unit of measure (PURUM) from the Item Balance file record.

Function keys

F02 PAGE FORWARD ITEM causes the next page of information for the purchase order to appear when the message *****CONTINUED***** appears at the bottom left of

[Contents](#)[Index](#)[Exit](#)

the display. When the message *****END***** appears, the first page of information for the purchase order appears again.

F24 END OF JOB causes the Inquiry menu (AMIM10) to appear again.

Fields

ORDER (ORDNO). Required. Type in the purchase order number for inquiry. When you have completed review of this purchase order, you can type over the purchase order number shown, and press **Field Exit** for the item number and warehouse fields to review the next order for inquiry.

ITEM (ITNBR). Type in the item number if you want to review the blanket release detail records in the Purchase Order Blanket Release Detail file. When you press Enter, display AMI1F2 appears and shows you the blanket release information for the selected item.

WHSE (Warehouse ID) (HOUSE). If you have multiple warehouses defined in the Warehouse Master file, type in the code of the warehouse to review a specific item and its blanket release detail records. If you have only one warehouse, the warehouse defined in the Warehouse Master file appears in this field and cannot be changed.

SEQUENCE. Type in the line item sequence number to review a specific occurrence of a miscellaneous or service item that appears more than once on the same purchase order. Leave this field blank for inventory items.

Note: If you type in the number of a purchase order or an item with blanket releases, a message **** BLANKET** appears to the right of the **SEQ** field after you press **Enter**. If the item is a blanket, each release is shown and the release number appears at the left of each line.

The following fields appear for each item on the purchase order, and are informational only.

ITEM (ITNBR). The item number of the record in the purchase order. If ****** appears to the left of the item number, it indicates that the item has blanket releases.

WH (Warehouse) (HOUSE). The warehouse ID of the record in the purchase order.

RSCH (Reschedule code) (ORRC). Does not apply to blanket releases. Code used to indicate whether or not an individual manufacturing order or purchase order line item can be rescheduled automatically by the system.

- | | |
|----------|---|
| 0 | Default to item reschedule code. This is the default. |
| 1 | Cannot be rescheduled automatically |
| 2 | Can be scheduled out |
| 3 | Can be scheduled in |
| 4 | Can be scheduled both out and in |

DESCRIPTION (ITDSC). The item description used in the Purchase Order Item Detail file.

VENDOR (VNDNR). The number assigned to the vendor from whom the items are ordered.

DUE DATE (DUEDT). The date the item is due to be received in stock.

UM (Unit of Measure) (UNMSR). For the first display line of quantities appearing below the item number and description, this field contains the stocking unit of measure for the item. For the second line of quantities, this field contains the purchase unit of measure.

SEQ. Control number assigned by IM or COM that uniquely identifies an item on a particular customer order. This number is not the line item sequence number from a customer order.

ST (Item Status Code) (STAIC). One of the following purchase order item status codes:

05	Vendor accept required
10	Released/Open
20	Received to dock
30	Received to inspection
40	Received to stock
50	Item complete
99	Item canceled

QT-ORD (Quantity Ordered) (ORQTY). The quantity ordered for the item.

RC-STK (Received to Stock) (STKQT). The quantity received to stock for the item.

QT-DEV (Quantity Deviation) (QTDEV). The quantity by which the original order quantity changed.

RC-DOCK (Received to Dock) (DKQTY). The quantity of the item received at the dock.

CATALOG NO. (VCLNR). The vendor's catalog number for the item ordered.

QT-OPEN (Quantity Open) (OPNQT). The quantity still to be received to stock for the item.

SCRAP (QTSCP). The quantity of the item that was rejected as scrap.

RC-INSP (Received to Inspection) (INSQT). The quantity of the item received to inspection.

Contents	Index	Exit
--------------------------	-----------------------	----------------------

AMI1F2—Purchase Order Inquiry by Order (Inquiry) (blanket release detail)

Use this display to see current quantities on the blanket releases for an item within a purchase order.

This display appears if you enter the purchase order number, item number, and warehouse on display AMI1F1 or AMI1F2, or if you press the Enter key when the application shows the **PURCHASE ORDER NUMBER**, **ITEM NUMBER**, and **WAREHOUSE** field values of the first blanket release on display AMI1F1.

```

DATE **/**/**          PURCHASE ORDER INQUIRY BY ORDER   INQUIRY   AMI1F2  **
      ORDER aaaaaA7    ITEM aaaaaaaaaaaaA15    WHSE aA3  SEQUENCE nnn

ITEM      WH  ST  DESCRIPTION      VENDOR
DUE DATE UM  SEQ  RSCH      QT-ORD  RC-STK  QT-DEV  RC-DOCK
CATALOG NO.      QT-OPEN      SCRAP      RC-INSP
**** ***** ** ** ***** ** ***** ** ***** ** ***** **
**/**/** ** ** * ***** ** ***** ** ***** ** ***** **
***** ** ***** ** ***** ** ***** **
----- BLANKET DETAIL -----
**** ***** ** ** ***** ** ***** ** ***** ** ***** **
**/**/** ** ** * ***** ** ***** ** ***** ** ***** **
***** ** ***** ** ***** ** ***** ** ***** **
**** ***** ** ** ***** ** ***** ** ***** ** ***** **
**/**/** ** ** * ***** ** ***** ** ***** ** ***** **
***** ** ***** ** ***** ** ***** ** ***** **
                                         F02 PAGE FORWARD ITEM
                                         F05 PAGE FORWARD BLANKET
                                         F24 END OF JOB

```

What to do

- To see additional blanket releases for this item, use **F05**. This display appears again with the information you requested.
- To look at the current quantity information for another purchase order item with blanket releases, type the purchase order number, item number, and warehouse ID and press **Enter**. This display appears again with the information you requested.
- To look at the current quantity information for an entire purchase order, type the purchase order number, blank out the item number and the warehouse ID, and press **Enter**. Go back to display AMI1F1.
- To review the items for a specific purchase order, type in the purchase order number and leave the **ITEM** and **WHSE** fields blank.
- To review a specific item and its blanket release detail records, type in the purchase order number, item number, and warehouse ID.
- If a conversion is required from stocking unit of measure to purchase unit of measure for the item, a second line of converted quantities appears with the purchase unit of measure (PURUM) from the Item Balance file record.

Contents	Index	Exit
--------------------------	-----------------------	----------------------

Function keys

F02 PAGE FORWARD ITEM causes successive pages of information for this purchase order to appear until the message END appears. Pressing **F02** after the END messages appears causes the first page of information to appear again.

F05 PAGE FORWARD BLANKET causes the next page of information for this item to appear when the message *****CONTINUED***** appears at the bottom left of the display. When the message *****END***** appears, the first page of information for this item appears again.

F24 END OF JOB causes the Inquiry menu (AMIM10) to appear again.

Fields

ORDER (ORDNO). Required. Type in the purchase order number for inquiry. When you have completed reviewing the detail records, you can review the next order for inquiry by typing over the purchase order number shown. Then press **Field Exit** for the **ITEM** and **WHSE** fields.

ITEM (ITNBR). Type in the item number if you want to display the blanket release detail records in the Purchase Order Blanket Release Detail file for a different item. The application shows the Purchase Order Number, Item Number, and Warehouse ID of the current record being shown.

WHSE (HOUSE). If you have multiple warehouses defined in the Warehouse Master file and you want to review a different item and its blanket release detail records, type in the warehouse code. If you have only one warehouse, the warehouse defined in the Warehouse Master file appears in this field and cannot be changed.

SEQUENCE. Type in the line item sequence number to review a specific occurrence of a miscellaneous or service item that appears more than once on the same purchase order. Leave this field blank for inventory items.

Note: If you type in the number of a purchase order or an item with blanket releases, a message **** BLANKET** appears to the right of the **SEQUENCE** field after you press Enter. If the item is a blanket, each release is shown and the release number appears at the left of each line.

The following fields appear for the item requested and for each blanket release of that item. These fields are informational only, and cannot be typed in. The release number appears to the left of the item number.

ITEM (ITNBR). The item number of the record in the purchase order.

WH (Warehouse) (HOUSE). The warehouse ID of the record in the purchase order.

Contents	Index	Exit
-----------------	--------------	-------------

ST (Item Status Code) (STAIC). One of the following purchase order item status codes:

05	Vendor accept required
10	Released/Open
20	Received to dock
30	Received to inspection
40	Received to stock
50	Item complete
99	Item canceled

DESCRIPTION (ITDSC). The item description used in the Purchase Order Item Detail file.

VENDOR (VNDNR). The number assigned to the vendor from whom the items are ordered.

DUE DATE (DUEDT). The date the item is due to be received in stock.

UM (Unit of Measure) (UNMSR). For the first display line of quantities appearing below the item number and description, this field contains the stocking unit of measure for the item. For the second line of quantities, this field contains the purchase unit of measure. The same values appear on the first and second lines of the blanket release detail records.

SEQ (Sequence). The line item sequence number for a specific occurrence of a miscellaneous or service item that appears more than once on the same purchase order.

RSCH (Reschedule code) (ORRC). Code used to indicate whether or not an individual manufacturing order or purchase order line item can be rescheduled automatically by the system.

0	Default to item reschedule code. This is the default.
1	Cannot be rescheduled automatically
2	Can be scheduled out
3	Can be scheduled in
4	Can be scheduled both out and in

QT-ORD (Quantity Ordered) (ORQTY). The quantity ordered for the item. For the blanket release detail records, the field contains the quantity for that release of the item.

RC-STK (Received to Stock) (STKQT). The quantity received to stock for the item. For the blanket release detail records, it is the quantity received for that release.

QT-DEV (Quantity Deviation) (QTDEV). The quantity by which the original order quantity changed.

RC-DOCK (Received to Dock) (DKQTY). The quantity of the item received at the dock. For blanket release detail records, it is the quantity received at the dock for that release.

CATALOG NO. (VCLNR). The vendor's catalog number for the item ordered.

Contents	Index	Exit
--------------------------	-----------------------	----------------------

QT-OPEN (Quantity Open) (OPNQT). The quantity still to be received to stock for the item. For the blanket release detail records, it is the quantity to be received for that release.

SCRAP (QTSCP). The quantity of the item that was rejected as scrap. For the blanket release detail records, it is the quantity not passing inspection for that release.

RC-INSP (Received to Inspection) (INSQT). The quantity of the item received to inspection. For the blanket release detail records, it is the quantity received to inspection for that release.

[Contents](#)[Index](#)[Exit](#)

Option 8. Location Detail–By Item/Warehouse (AMIM10)

Use this option when you want to see the current quantity location and quality control status for all lots of a selected item in a selected controlled warehouse.

What information you need: The item number, warehouse, and FIFO date (optional).

What reports are printed: None.

What forms you need: None.

The basic steps to inquire about a location detail by item and warehouse follow each display.

[Contents](#)[Index](#)[Exit](#)

AMIWA1—Location Detail by Item/Warehouse (Select)

Use this display to enter the item and warehouse code for the location details you want to see.

This display appears when you use **F09 MATERIALS INQUIRY** on display AMQ1H5.

DATE **/**/**	LOCATION DETAIL BY ITEM/WAREHOUSE		SELECT	AMIWA1 **
	ITEM aaaaaaaaaaA15	WH aA3	FIFO DATE	nnnnnn
F24 END OF JOB				

What to do

- To see location information for a QC item, type in the item number, warehouse code, and FIFO date (if FIFO control is active) and press **Enter**. Go to display AMIWA2.
- To see location information for a non-QC item, type in the item number, warehouse code, and FIFO date (if FIFO control is active) and press **Enter**. Go to display AMIWA3.

Function keys

F24 END OF JOB causes the Inquiry menu to appear again.

Fields

[?] appears next to a field name in the following field definitions to identify a field from which you can begin a master file search.

ITEM (ITNBR) [?]. Required. Type in the item number whose location detail you want to see.

WH (Warehouse Code) (HOUSE). If you have multiple warehouses defined in the Warehouse Master file, type in the code of the warehouse for the location detail you want to see. If you have only one warehouse, the warehouse defined in the Warehouse Master file appears in this field and cannot be changed.

Contents	Index	Exit
--------------------------	-----------------------	----------------------

FIFO DATE (FDATE). Type in the date the item was actually received in stock, whether in approved or unapproved status. All locations containing the item with this or later dates appear. If this field is blank, all locations containing the item appear. This field appears only if you chose the FIFO date option during application tailoring.

AMIWA2—QC Approved Lots Only (Inquiry)

Use this display to see location information for the item and warehouse selected. The display shows this information only for lots that are QC approved and available for issuing. In addition, the display indicates for the selected item and warehouse the total quantity that has not been QC approved and is not available for issuing so that you can take further action as necessary.

This display appears when you enter a QC item number on display AMIWA1 or select **F06** from the All Lots Approved and Not Approved (Inquiry) display (AMIWA3).

```

DATE **/**/**          QC APPROVED LOTS ONLY          INQUIRY  AMIWA2  **

ITEM  aaaaaaaaaaA15      WH  aA3      FIFO DATE  nnnnnn
*****
LOCATION  QUANTITY  BATCH/LOT  DATE  LOCATION  QUANTITY  BATCH/LOT  DATE
*****  *****  *****  *****  *****  *****  *****  *****
*****  *****  *****  *****  *****  *****  *****  *****
*****  *****  *****  *****  *****  *****  *****  *****
*****  *****  *****  *****  *****  *****  *****  *****
*****  *****  *****  *****  *****  *****  *****  *****
*****  *****  *****  *****  *****  *****  *****  *****

TOTAL APPROVED      ** ,*** ,*** ,***
INITIAL INSPECT RQD  ** ,*** ** ,***
SHELF LIFE EXPIRED  ** ,*** ,*** ,***
REJECTED            ** ,*** ,*** ,***

F02 PAGE FORWARD
F03 PAGE BACKWARD
F05 ALL LOTS
F24 END OF JOB
    
```

What to do

- To see location information for another QC item, type in that item number, warehouse code, and FIFO date (if FIFO control is active) and press **Enter**. This display appears again with the information you requested.

Note: If you enter a non-QC item number, an error message appears. Use **F05** to see information for that item.

- To see location information for both QC approved and not approved lots, use **F05**. Go to display AMIWA3.
- If you type in a non-QC item number, an error message appears. Select **F05** to see details for the non-QC item.

Function keys

F02 PAGE FORWARD causes successive pages of location information to appear until the message END appears. Pressing **F02** after the END message appears cause the first page of location information to appear again.

F03 PAGE BACKWARD shows you the previous page of location information if more than one page exists. When you reach the first page, **F03** has no effect.

F05 ALL LOTS causes the All Lots Approved and Not Approved (Inquiry) display (AMIWA3) to appear.

F24 END OF JOB causes the Inquiry menu to appear again.

Fields

[\[?\]](#) appears next to a field name in the following field definitions to identify a field from which you can begin a master file search.

ITEM (ITNBR) [?]. Type in the item number whose location detail you want to see.

WH (Warehouse Code) (HOUSE). If you have multiple warehouses defined in the Warehouse Master file, type in the code of the warehouse for the location detail you want to see. If you have only one warehouse, the warehouse defined in the Warehouse Master file appears in this field and cannot be changed.

FIFO DATE (FDATE). This is the date the item was received in stock. This field appears only if you chose the FIFO date option during application tailoring.

NOT A QC ITEM appears under the **FIFO DATE** field if QC control is not applicable to this item.

Description (ITDSC). The description of the item that appears on invoices, inquiries, and reports. This field appears below the **ITEM** field but has no heading.

When you press **Enter** on displays AMIWA1 or AMIWA2, the following fields appear:

LOCATION (LLOCN). The stock location code from the Location Detail file.

QUANTITY (LQNTY). The number of items in each location.

BATCH/LOT (ALOT1). The batch or lot number of the items.

DATE (First-In-First-Out Date) (DDATE). The date the item was received in the corresponding location. If you did not choose the FIFO date option during application tailoring, do not use this field.

TOTAL APPROVED. The total quantity of the item that is available at the specified warehouse, whose QC type code is 1.

INITIAL INSPECT RQD. The total quantity of the item that is unavailable at the specified warehouse because it is waiting for inspection on receipt. QC type code for these items is 7 or 9.

SHELF LIFE EXPIRED. The total quantity of the item that is unavailable at the specified warehouse because the shelf life of the item has expired. QC type code is 6.

REJECTED. The total quantity of the item that is unavailable at the specified warehouse because the item is rejected. QC type code is 8.

AMIWA3—All Lots Approved and Not Approved (Inquiry)

Use this display to see location information for the item and warehouse selected. The display shows this information for both QC approved and not approved lots, as well as for non-QC items.

This display appears when you enter a non-QC item number on display AMIWA1 or select **F05** from the QC Approved Lots Only (Inquiry) display (AMIWA2).

```

DATE **/**/**          ALL LOTS APPROVED AND NOT APPROVED  INQUIRY  AMIWA3  **

ITEM  aaaaaaaaaaA15      WH  aA3      FIFO DATE  nnnnnn
*****
LOCATION  QUANTITY  BATCH/LOT  DATE  LOCATION  QUANTITY  BATCH/LOT  DATE
*****  *****  *****  *****  *****  *****  *****  *****
*****  *****  *****  *****  *****  *****  *****  *****
*****  *****  *****  *****  *****  *****  *****  *****
*****  *****  *****  *****  *****  *****  *****  *****
*****  *****  *****  *****  *****  *****  *****  *****
*****  *****  *****  *****  *****  *****  *****  *****
*****  *****  *****  *****  *****  *****  *****  *****

TOTAL APPROVED          ** , *** , *** , ***
INITIAL INSPECT RQD    ** , *** , *** , ***
SHELF LIFE EXPIRED    ** , *** , *** , ***
REJECTED               ** , *** , *** , ***
* NOT APPROVED

F02 PAGE FORWARD
F03 PAGE BACKWARD
F06 QC APPROVED LOTS
F24 END OF JOB

```

What to do

- To see detail information for another non-QC item, type in that item number, warehouse code, and FIFO date (if FIFO control is active) and press **Enter**. This display appears again with the information you requested.
- To see location information for QC approved lots only, use **F05**. Go back to display AMIWA2.

Function keys

F02 PAGE FORWARD causes successive pages of location information to appear until the message END appears. Pressing **F02** after the END message appears causes the first page of location information to appear again.

F03 PAGE BACKWARD shows you the previous page of location information if more than one page exists. When you reach the first page, **F03** has no effect.

F06 QC APPROVED LOTS (QC items only) causes the QC Approved Lots Only (Inquiry) display (AMIWA2) to appear.

F24 END OF JOB causes the Inquiry menu to appear again.

Contents	Index	Exit
--------------------------	-----------------------	----------------------

Fields

[\[?\]](#) appears next to a field name in the following field definitions to identify a field from which you can begin a master file search.

Refer to "AMIWA2—QC Approved Lots Only (Inquiry)" for an explanation of the fields on this display.

Contents	Index	Exit
--------------------------	-----------------------	----------------------

Option 9. Warehouse Summary–By Item (AMIM10)

Use this option when you want to see quality control information for a given item in all warehouses.

What information you need: The item number.

What reports are printed: None.

What forms you need: None.

The basic steps to inquire about warehouse summary by item follow each display.

[Contents](#)[Index](#)[Exit](#)

AMISB2—Warehouse Summary by Item (Inquiry)

Use this display to see the quantity of approved and not approved stock for the selected item in all controlled warehouses.

This display appears when you enter a valid item number on display AMISB1.

DATE	**/**/**	WAREHOUSE SUMMARY BY ITEM				INQUIRY	AMISB2	**
ITEM	aaaaaaaaaaaA15	*****				U/M	**	
WH	APPROVED	NOT APPROVED	WH	APPROVED	NOT APPROVED			
***	* **	* **	***	* **	* **			
***	* **	* **	***	* **	* **			
***	* **	* **	***	* **	* **			
***	* **	* **	***	* **	* **			
TOTAL APPROVED		*** **		ROLL UP/ROLL DOWN				
TOTAL NOT APPROVED		*** **		F24 END OF JOB				

What to do

Review the information and then press **F24**. The Inquiry menu (AMIM10) appears again.

Function keys

F24 END OF JOB causes the Inquiry menu (AMIM10) to appear again.

Fields

[?] appears next to a field name in the following field definitions to identify a field from which you can begin a master file search.

ITEM (ITNBR) [?]. Type in the item number whose summary information you want to see.

Description (ITDSC). The description of the item that appears on invoices, inquiries, and reports. This field appears to the right of the ITEM field, but has no heading.

U/M (Stocking unit of Measure) (UNMSR). The user-assigned code that defines the measurement basis for this item. Examples are EA (each), KG (kilogram), and CM (centimeter).

Contents	Index	Exit
--------------------------	-----------------------	----------------------

WH (Warehouse Code) (HOUSE). The code of the controlled warehouse where the item is stored. If the item is stored in more than one warehouse, totals for each controlled warehouse appear.

APPROVED (Quality Control Approved) (YQTY). The total quantity of the item that is available at the specified warehouse, whose QC type is Checked or N/A (not applicable).

NOT APPROVED (Quality Control Not Approved) (NQTY). The total quantity of the item that is unavailable at the specified warehouse, whose QC type is QC Due, Reject, or Waiting for Inspection.

TOTAL APPROVED. The sum of all items approved or not requiring approval at all warehouses.

TOTAL NOT APPROVED. The sum of all items waiting for approval or rejected at all warehouses.

Contents	Index	Exit
--------------------------	-----------------------	----------------------

Option 10. Item Detail–By Location (AMIM10)

Use this option when you want to see information on a given stock location.

What information you need: The stock location number.

What reports are printed: None.

What forms you need: None.

I

The basic steps to inquire about an item detail by location follow each display.

AMIWB1—Item Detail by Location (Select)

Use this display to specify the stock location for the information you want to see. You can enter a production line to see all locations assigned to a production line or to see a specific line location. This display can be used for any location other than quality control or bulk store areas. **F08 SHOW PROD/LINE/STOCK** allows you to rotate this display between production line mode, line location mode, and stock location mode.

This display appears when you select option 10 on the IM Inquiry menu (AMIM10) or option 7 on the REP Inquiry menu (AMQM10).

DATE *****	ITEM DETAIL BY LOCATION	SELECT	AMIWB1 **
WH	STOCK LOCATION		
	AISLE BAY LEVEL PALLET		
aA3	A2 A2 A A		
F08 SHOW PROD/LINE/STOCK F24 END OF JOB			

DATE *****	ITEM DETAIL BY LOCATION	SELECT	AMIWB1 **
WH	PRODUCTION LINE		
aA3	aaaA5		

DATE *****	ITEM DETAIL BY LOCATION	SELECT	AMIWB1 **
WH	LINE LOCATION		
aA3	aaaaaA7		

What to do

- To see location detail information, type in the location and press **Enter**. Go to display AMIWB2.
- To alternate between the production line, line location, and stock location modes, press **F08**.

Contents	Index	Exit
--------------------------	-----------------------	----------------------

Function keys

F08 SHOW PROD/LINE/STOCK allows you to alternate between three modes: production line, line location, and stock location. This function key is available when REP and IM are interfacing.

F24 END OF JOB causes the Inquiry menu (AMIM10 or AMQM10) to appear again.

Fields

WH (Warehouse Code). Required. If you have multiple warehouses defined in the Warehouse Master file, type in the code of the warehouse where the item is stocked. If you have only one warehouse, the warehouse defined in the Warehouse Master file appears in this field and cannot be changed.

AISLE. Required. Type in the stock location row.

BAY. Required. Type in the vertical aisle location.

LEVEL. Required. Type in the horizontal bay location.

PALLET. Required. Type in the pallet code that indicates the lowest division in an individual bay/level combination.

PRODUCTION LINE. Required. Type in the production line whose line locations you want to review. This field replaces the stock location fields when this display is in production line mode. Production line mode is available when REP and IM are interfacing.

LINE LOCATION. Required. Type in the location at the production line where material is delivered for processing. This field replaces the stock location fields when this display is in line location mode. Line location mode is available when REP and IM are interfacing.

AMIWB2—Item Detail by Location (Inquiry)

Use this display to see the contents of the selected location.

This display appears when you enter a location on display AMIWB1. If REP is interfacing with IM, three display modes are available: stock location, production line, and line location.

DATE *****	ITEM DETAIL BY LOCATION				INQUIRY	AMIWB2 **
WH	STOCK LOCATION					
	AISLE	BAY	LEVEL	PALLET		
aA3	A2	A2	A	A		
LOCATION	ITEM	QUANTITY		BATCH/LOT	QC TYPE	
****	*****	* , * , * , *		*****	*****	
****	*****	* , * , * , *		*****	*****	
****	*****	* , * , * , *		*****	*****	
						F02 PAGE FORWARD F08 SHOW PROD/LINE/STOCK F24 END OF JOB

DATE *****	ITEM DETAIL BY LOCATION		INQUIRY	AMIWB2 **
WH	PRODUCTION LINE			
aA3	aaaA5			

DATE *****	ITEM DETAIL BY LOCATION		INQUIRY	AMIWB2 **
WH	LINE LOCATION			
aA3	aaaaaA7			

What to do

- To see detail information for another location, type in that location and press **Enter**. This display appears again with the information you requested.
- To alternate between the production line, line location, and stock location modes, press **F08**.

Function keys

F02 PAGE FORWARD causes the next page of location contents to appear until the message END appears. Pressing **F02** again after the END message appears causes the first page of location contents to appear.

[Contents](#)[Index](#)[Exit](#)

F08 SHOW PROD/LINE/STOCK causes display AMIWB1 to appear again and allows you to alternate between three modes: production line, line location, and stock location. This function key is available when REP and IM are interfacing.

F24 END OF JOB causes the Inquiry menu (AMIM10 or AMQM10) to appear again.

Fields

The location or line fields appear with information you typed in on the AMIWB1 display. You may type over these fields to review information in a different location or line.

WH (Warehouse Code). If you have multiple warehouses defined in the Warehouse Master file, type in the code of the warehouse where the item is stocked. If you have only one warehouse, the warehouse defined in the Warehouse Master file appears in this field and cannot be changed.

AISLE. Type in the stock location row.

BAY. Type in the vertical aisle location.

LEVEL. Type in the horizontal bay location.

PALLET. Type in the pallet code that indicates the lowest division in an individual bay/level combination.

LOCATION (LLOCN). In stock location mode, the word MAIN followed by the main location you typed in. If there are subdivisions for the main location, the word SUB appears directly under MAIN, followed by each subdivision location.

In production line mode, the word LINE followed by each line location associated with the production line. Production line mode is available when REP and IM are interfacing.

In line location mode, the word LINE followed by the same line location that appears above. Line location mode is available when REP and IM are interfacing.

ITEM (ITNBR). The number of the item stored in each location. If the location contains no stock, EMPTY appears.

QUANTITY (LQNTY). The quantity of each item stored in the location.

BATCH/LOT (LBHNO). The batch or lot number of each item stored in the location.

[Contents](#)[Index](#)[Exit](#)

QC TYPE (Quality Control Type). This field appears only if QC control is active. It shows one of the following:

CHECKED Inspection not currently required; item is within shelf life.

N/A Quality control inspection not applicable for this item.

QC DUE Item is waiting for inspection due to expired shelf life.

WAITING Item is waiting for inspection on receipt.

REJECT Item is rejected, waiting for disposal or rework.

PRODUCTION LINE. Type in the production line whose line locations you want to review. This field replaces the stock location fields when this display is in production line mode. Production line mode is available when REP and IM are interfacing.

LINE LOCATION. Type in the location at the production line where material is delivered for processing. This field replaces the stock location fields when this display is in line location mode. Line location mode is available when REP and IM are interfacing.

Contents	Index	Exit
--------------------------	-----------------------	----------------------

Option 11. Discrete Allocations (AMIM10)

Use this option when you want to see discrete allocation information for a given item, batch/lot, or order.

What information you need: The warehouse code and item, batch/lot, or order number.

What reports are printed: None.

What forms you need: None.

The basic steps to inquire about a discrete allocations follow each display.

AMINM1—Discrete Allocations (Select)

Use this display to select the option of inquiring into the Allocated Quantity file by item, batch/lot, or order number.

This display appears when you select option 11 from the Inquiry menu (AMIM10).

If you previously selected an option that adjusted allocations against customer orders, manufacturing orders, or schedules (if REP is installed and interfacing), such as Transaction Entry or Order Closeout and Purge, it is recommended that you run the Discrete Allocation Worksheet Generation option (option 5 on menu AMIM30) before you select an option on this display (AMINM1) so that the discrete allocation information you see is current.

```
DATE **/**/**          DISCRETE ALLOCATIONS          SELECT          AMINM1  **

                          OPTION  n
                          1  BY ITEM
                          2  BY BATCH/LOT
                          3  BY ORDER/SCHEDULE

                                                                F24 END OF JOB
```

What to do

- To see allocation information for a specific item and warehouse, select option 1 and press **Enter**. Go to display AMINM2.
- To see allocation information for a specific batch/lot, select option 2 and press **Enter**. Go to display AMINM3.
- To see allocation information for a specific order, select option 3 and press **Enter**. Go to display AMINM4.

Function keys

F24 END OF JOB causes the Inquiry menu (AMIM10) to appear again.

Contents	Index	Exit
--------------------------	-----------------------	----------------------

Fields

OPTION. Required. Type in **1**, **2**, or **3**:

- 1** BY ITEM. Select this option to see discrete allocation information for a specific item and warehouse.
- 2** BY BATCH/LOT. Select this option to see discrete allocation information for a specific batch/lot.
- 3** BY ORDER. Select this option to see discrete allocation information for a specific customer or manufacturing order.
- 4** BY ORDER/SCHEDULE. Select this option to see discrete allocation information for a specific order or schedule. This option replaces the BY ORDER option if REP is installed and interfacing.

[Contents](#)[Index](#)[Exit](#)

AMINM2—Allocations by Item (Inquiry)

Use this display to see all locations and batch/lots where discrete allocations have been made for the selected item. It also shows the allocation quantities and the order numbers to which the item was allocated.

This display appears when you select option 1 from display (AMINM1).

```

DATE **/**/**                ALLOCATIONS BY ITEM      INQUIRY  AMINM2  **
ITEM aaaaaaaaaaA15  WH aA3  *****
WH  LOCN  BATCH/LOT  FIFO DATE   ON HAND  NOT ALLOCATED  ALLOCATED
                                ORDER/SCHEDULE
***  *****  *****  **/**/** *****  ***  *****  ***  *****  ***
                                *****  ***  *****  ***
                                *****  ***  *****  ***
                                *****  ***  *****  ***
***  *****  *****  **/**/** *****  ***  *****  ***  *****  ***
                                *****  ***  *****  ***
***  *****  *****  **/**/** *****  ***  *****  ***  *****  ***
                                *****  ***  *****  ***
***  *****  *****  **/**/** *****  ***  *****  ***  *****  ***
                                *****  ***  *****  ***
***  *****  *****  **/**/** *****  ***  *****  ***  *****  ***
                                *****  ***  *****  ***

**  END  **

                                F02 PAGE FORWARD
                                F10 CONFIGURED ITEMS
                                F19 RETURN TO SELECT
                                F24 END OF JOB

```

What to do

To see information for an item or warehouse, or both, type the item number or warehouse code, or both, and press **Enter**. This display appears again with the information you requested.

Function keys

F02 PAGE FORWARD causes successive pages of discrete allocation information to appear until the message END appears. Pressing **F02** after the END message appears causes the first page of discrete allocation information to appear again.

F10 CONFIGURED ITEMS causes the KBC Configured Items display (TCFAA1) to appear. This function key appears only if KBC is interfacing and this item is a configured item.

F19 RETURN TO SELECT causes the Discrete Allocations (Select) display (AMINM1) to appear.

F24 END OF JOB causes the Inquiry menu (AMIM10) to appear again.

Contents	Index	Exit
--------------------------	-----------------------	----------------------

Fields

[?] appears next to a field name in the following field definitions to identify a field from which you can begin a master file search.

ITEM (ITNBR) [?]. Required. Type in the item number whose allocation information you want to see.

WH (Warehouse Code) (HOUSE). Required if you have multiple warehouses defined in the Warehouse Master file. Type in the code of the warehouse where the item is stored. If you have only one warehouse, the warehouse defined in the Warehouse Master file appears in this field and cannot be changed.

Description (ITDSC). The description of the item that appears on invoices, inquiries, and reports. This field appears to the right of the WH field but has no heading.

The following field values appear after you type in the item number and warehouse code.

WH and LOCN (Warehouse Code/Location) (HOUSE/LLOCN). The warehouse and location from which the item was allocated.

BATCH/LOT (Batch or Lot Number) (LBHNO). The batch/lot from which the item was allocated.

FIFO DATE (FDATE). The date the item was actually received in stock, whether in approved or unapproved status. This field appears only if you selected the FIFO date integrity option during application tailoring.

ON HAND (LQNTY). The total on hand quantity of the item. It includes the quantity not allocated plus the quantity allocated.

NOT ALLOC (NALLOC). The total quantity of the item not allocated and still available for allocation from the corresponding location and batch/lot.

ALLOCATED (ALLOC). The total quantity of the item already allocated from the corresponding location and batch/lot. This line is followed by the individual quantities of the item that have been allocated to specific orders.

ORDER (ORDNO). The field name appears as **ORDER/SCHEDULE** if REP is installed and interfacing. It shows the customer order, manufacturing order, or schedule for which this item was allocated.

If COM is installed and interfacing with IM, a customer order number includes the company number and order type of the associated customer order.

AMINM3—Allocations by Batch/Lot (Inquiry)

Use this display to see all locations of an item allocated from the selected batch/lot. It also shows the allocation quantities and order numbers to which the item was allocated.

This display appears when you select option 2 from display AMINM1.

```

DATE **/**/**          ALLOCATIONS BY BATCH/LOT    INQUIRY    AMINM3  **
BATCH/LOT aaaaaaA19

WH  LOCN  ITEM          FIFO DATE    ON HAND    NOT ALLOC    ALLOCATED
                                ORDER/SCHEDULE

*** ***** ***** **/**/** ***** .*** ***** .*** ***** .***
***** .*** ***** .***
***** .*** ***** .***
***** .*** ***** .***

*** ***** ***** **/**/** ***** .*** ***** .*** ***** .***
***** .*** ***** .***
***** .*** ***** .***
***** .*** ***** .***

** CONTINUED **

                                F02 PAGE FORWARD
                                F19 RETURN TO SELECT
                                F24 END OF JOB

```

What to do

To see information for a batch/lot, type in that batch/lot number and press **Enter**. This display appears again with the information you requested.

Review the information and then press a function key. If you want to look at another batch/lot, type in the batch/lot number and press **Enter**. This display appears again with the information you requested.

Function keys

F02 PAGE FORWARD causes succeeding pages of discrete allocation information to appear until the message END appears. Pressing **F02** after the END message appears causes the first page of discrete allocation information to appear again.

F19 RETURN TO SELECT causes the Discrete Allocations (Select) display (AMINM1) to appear.

F24 END OF JOB causes the Inquiry menu (AMIM10) to appear again.

Fields

BATCH/LOT (LBHNO). Required. Type in the batch/lot number for the allocation information you want to see.

Contents	Index	Exit
--------------------------	-----------------------	----------------------

The following fields appear after you type in the batch/lot number.

WH/LOCN (Warehouse Code/Location) (HOUSE). The warehouse and location from which the item was allocated.

ITEM (ITNBR). The item that was allocated.

FIFO DATE (FDATE). The date the item was actually received in stock, whether in approved or unapproved status. This field appears only if you selected the FIFO date integrity option during application tailoring.

ON HAND (LQNTY). The total on hand quantity of the item. It includes the quantity not allocated plus the quantity allocated.

NOT ALLOC (NALLOC). The total quantity of the item not allocated, and still available for allocation, from the corresponding location and batch/lot.

ALLOCATED (ALLOC). The total quantity of the item already allocated from the corresponding location and batch/lot. This is followed by the individual quantities of the item that have been allocated to specific orders.

ORDER (ORDNO). The field name appears as **ORDER/SCHEDULE** if REP is installed and interfacing. It shows the customer order, manufacturing order, or schedule for which this item was allocated.

If COM is installed and interfacing with IM, a customer order number includes the company number and order type of the associated customer order.

[Contents](#)[Index](#)[Exit](#)

AMINM4—Allocations by Order (Inquiry)

Use this display to see all discrete allocations for a selected manufacturing order, customer order, or schedule. Customer order information by company and order type is available if COM is installed and interfacing with IM. Schedule information is available if REP is installed and interfacing with IM. It also shows the quantity allocated plus the location and batch/lot from which the item was allocated.

This display appears when you select option 3 from display AMINM1.

DATE	**/**/**	ALLOCATIONS BY ORDER				INQUIRY	AMINM4	**
ORDER	nn A2	aaaaaA7						
ITEM	ORDERED	ALLOCATED	WH	LOCN	BATCH/LOT	FIFO	DATE	
*****	*****	*****	***	*****	*****	**/**/**		
*****	*****	*****	***	*****	*****	**/**/**		
*****	*****	*****	***	*****	*****	**/**/**		
*****	*****	*****	***	*****	*****	**/**/**		
*****	*****	*****	***	*****	*****	**/**/**		
*****	*****	*****	***	*****	*****	**/**/**		
**	END	**						
					F02 PAGE FORWARD			
					F19 RETURN TO SELECT			
					F24 END OF JOB			

What to do

To see information for an order or schedule, type in the order number or schedule and press **Enter**. This display appears again with the information you requested.

Review the information and then press a function key. To look at another order or schedule, type in the information and press **Enter**. This display appears again with the information you requested.

Function keys

F02 PAGE FORWARD causes the next page of discrete allocation information to appear until the message END appears. Pressing **F02** after the END message appears causes the first page of discrete allocation information to appear again.

F19 RETURN TO SELECT causes the Discrete Allocations (Select) display (AMINM1) to appear.

F24 END OF JOB causes the Inquiry menu (AMIM10) to appear again.

[Contents](#)[Index](#)[Exit](#)

Fields

ORDER. The field name appears as **ORDER/SCHEDULE** if REP is installed and interfacing with IM. Type in the manufacturing order, customer order, or schedule for the allocation information you need.

If COM is installed and interfacing with IM, a customer order number includes the company number and order type of the associated customer order.

For a manufacturing order, you enter only the order number.

The following field values appear after you type in the order or schedule number.

ITEM (ITNBR). The item that was allocated.

ORDERED (Order Quantity) (QTRQA). The quantity of the item required to fill the order or schedule. If you are inquiring into a customer blanket release order, you see only the quantity associated with the release.

ALLOCATED (Quantity Allocated) (LALQY). The quantity of the item already allocated from the corresponding location and batch/lot.

WH and LOCN (Warehouse Code/Location) (HOUSE/LLOCN). The warehouse and location from which the item was allocated.

BATCH/LOT (LBHNO). The batch/lot from which the item was allocated.

FIFO DATE (FDATE). The date the item was actually received in stock, whether in approved or unapproved status. This field appears only if you selected the FIFO date integrity option during application tailoring.

Contents	Index	Exit
--------------------------	-----------------------	----------------------

Chapter 4. Reports

If you select option 2 from the Main Menu, the Reports menu (AMIM20) appears. The three options on this menu are for types of reports. Each option displays a secondary menu with a list of reports.

Option 1. Status/Analysis Reports (AMIM20)	4-3
Option 2. Inventory Reports (AMIM20)	4-4
Option 3. File Listings (AMIM20)	4-6
Option 1. Stock Status–Inventory (AMIM21)	4-7
Option 2. Stock Status–Location (AMIM21)	4-10
Option 3. Purchase Order Status (AMIM21).....	4-13
Option 4. Manufacturing Order Status (AMIM21)	4-16
Option 5. Purchase/Manufacturing Order Status (AMIM21)	4-19
Option 6. ABC Analysis (AMIM21)	4-22
Option 7. Financial Stock Analysis (AMIM21)	4-25
Option 8. Stock Movement Analysis (AMIM21).....	4-28
Option 1. Reorder Report (AMIM22)	4-31
Option 2. Control Totals (AMIM22)	4-35
Option 3. Follow-up Shortage (AMIM22).....	4-36
Option 4. Item QC & Batch/Lot Controls (AMIM22)	4-46
Option 5. Items Waiting Inspection (AMIM22).....	4-49
Option 6. Reject Items Waiting Disposition (AMIM22)	4-52
Option 7. Outstanding Goods Received Notes (AMIM22).....	4-54
Option 8. Invoices on Goods Received Notes (AMIM22)	4-56
Option 9. Inventory Valuation (AMIM22).....	4-59
Option 1. Item Master List (AMIM23)	4-62
Option 2. Item Balance List (AMIM23)	4-65
Option 3. Item Base Price List (AMIM23)	4-68
Option 4. Empty Locations (AMIM23)	4-70
Option 5. Locations and Contents (AMIM23).....	4-73
Option 6. Contents of Quality Control Areas (AMIM23).....	4-76
Option 7. Contents of Bulk Store Areas (AMIM23)	4-78
Option 8. Miscellaneous Item Stock (AMIM23)	4-80
Option 9. Goods Received Notes (AMIM23).....	4-83

```
AMIM20                               Inventory Management          *****
                                      Reports

Type option or command; press Enter.

1. Status/Analysis Reports >>
2. Inventory Reports >>
3. File Listings >>

-----

F3=Exit      F4=Prompt   F9=Retrieve  F10=Actions
F11=Job status F12=Return  F22=Messages
```

Option 1. Status/Analysis Reports. Use this option to see the Status/Analysis Reports menu (AMIM21).

Option 2. Inventory Reports. Use this option to see the Inventory Reports menu (AMIM22).

Option 3. File Listings. Use this option to see the File Listings menu (AMIM23).

How to use reports

To use reports displays, select an option number on the third-level reports menus. All displays permit certain report specifications to be entered, such as time periods and warehouse numbers. These options allow you to print exception analysis reports that include only items you want to analyze. During application tailoring, you can supply default values for the options. Each time you run a report, the report options display allows you to change any of the options.

Option 1. Status/Analysis Reports (AMIM20)

If you select option 1 from the Reports menu, the Status/Analysis Reports menu (AMIM21) appears. The information about displays related to this menu begins with "Option 1. Stock Status–Inventory (AMIM21)".

```
AMIM21                      Inventory Management          *****
                          Status/Analysis Reports

Type option or command; press Enter.

  1. Stock Status - Inventory
  2. Stock Status - Location
  3. Purchase Order Status
  4. Mfg Order Status
  5. Pch/Mfg Order Status
  6. ABC Analysis
  7. Financial Stock Analysis
  8. Stock Movement Analysis

-----

F3=Exit      F4=Prompt   F9=Retrieve  F10=Actions
F11=Job status F12=Return  F22=Messages
```

Option 1. Stock Status–Inventory. Use this option to select the Inventory Stock Status Review report and the limits within which it is to be printed.

Option 2. Stock Status–Location. Use this option to print the detail or summary Location Stock Status report showing information on all items normally held in stock or all items currently in stock at the warehouse(s) specified.

Option 3. Purchase Order Status. Use this option to select the Purchase Order Status report and the limits within which it is to be printed.

Option 4. Mfg Order Status. Use this option to select the Manufacturing Order Status report and the limits within which it is to be printed.

Option 5. Pch/Mfg Order Status. Use this option to select both the purchase and the manufacturing order status reports and the limits within which they are to be printed.

Option 6. ABC Analysis. Use this option to select the ABC Analysis report, the Annual Usage Extension report, and the limits within which they are to be printed.

Option 7. Financial Stock Analysis. Use this option to select the Inventory Analysis Report – Financial and the limits within which it is to be printed.

Option 8. Stock Movement Analysis. Use this option to select the Inventory Analysis Report – Stock Movement and the limits within which it is to be printed.

[Contents](#)[Index](#)[Exit](#)

Option 2. Inventory Reports (AMIM20)

If you select option 2 from the Reports menu, the Inventory Reports menu (AMIM22) appears. The information about displays related to this menu begins with "Option 1. Reorder Report (AMIM22)".

```

AMIM22                                Inventory Management          *****
                                      Inventory Reports

Type option or command; press Enter.

1. Reorder Report
2. Control Totals
3. Follow-up Shortage
4. Item QC & Batch/Lot Controls
5. Items Waiting Inspection
6. Reject Items Waiting Disposition
7. Outstanding Goods Received Notes
8. Invoices on Goods Received Notes
9. Inventory Valuation

-----

F3=Exit      F4=Prompt   F9=Retrieve  F10=Actions
F11=Job status F12=Return  F22=Messages
  
```

Option 1. Reorder Report. Use this option to select the Inventory Reorder report and the limits within which it is to be printed.

Option 2. Control Totals. Use this option to print the Control Total – Item Balance File report, which lists a series of control totals. No work station display is associated with this option.

Option 3. Follow-up Shortage. Use this option to select the follow-up shortage reports by item and by order and the limits within which they are to be printed.

Option 4. Item QC & Batch/Lot Controls. Use this option to select the Item QC and Batch/Lot Controls report and the limits within which it is to be printed.

Option 5. Items Waiting Inspection. Use this option to select one of three reports showing information on items waiting quality control inspection or items due or overdue for cyclic quality control inspection.

Option 6. Reject Items Waiting Disposition. Use this option to select the Rejected Items Waiting Disposition report and the limits within which it is to be printed.

Option 7. Outstanding Goods Received Notes. Use this option to select a report showing information on outstanding Goods Received Notes for items that have completed quality control inspection, all outstanding Goods Received Notes, or all outstanding Goods Received Notes by vendor. This option can be selected only if the GRN system is active (I19=Y). It should not be used if you are using the GRN for IFM's Invoice - Receipt Matching function.

Option 8. Invoices on Goods Received Notes. Use this option to select a report showing Goods Received Notes that have been matched to invoices since the last report date or between two specified dates. This option can be selected only if the GRN system is active (I19=Y). It should not be used if you are using the GRN for IFM's Invoice—Receipt Matching function.

Contents	Index	Exit
--------------------------	-----------------------	----------------------

Option 9. Inventory Valuation. Use this option to select the Inventory Valuation reports showing information on the value of selected items in one or all warehouses at the standard, last, or average cost.

[Contents](#)[Index](#)[Exit](#)

Option 3. File Listings (AMIM20)

If you select option 3 from the Reports menu, the File Listings menu (AMIM23) appears. The information about displays related to this menu begins with "Option 1. Item Master List (AMIM23)".

```

AMIM23                               Inventory Management          *****
                                   File Listings

Type option or command; press Enter.

  1. Item Master List
  2. Item Balance List
  3. Item Base Price List
  4. Empty Locations
  5. Locations and Contents
  6. Contents of Quality Control Areas
  7. Contents of Bulk Store Areas
  8. Miscellaneous Item Stock
  9. Goods Received Notes

-----

F3=Exit      F4=Prompt   F9=Retrieve  F10=Actions
F11=Job status F12=Return  F22=Messages

```

Option 1. Item Master List. Use this option to select the Item Master File Report and the limits within which it is to be printed.

Option 2. Item Balance List. Use this option to select the Item Balance File List and the limits within which it is to be printed.

Option 3. Item Base Price List. Use this option to select the Item Base Price List and the limits within which it is to be printed.

Option 4. Empty Locations. Use this option to select the Empty Locations report and the limits within which it is to be printed.

Option 5. Locations and Contents. Use this option to select the Locations and Contents report and the limits within which it is to be printed. This report lists the contents of selected locations.

Option 6. Contents of Quality Control Areas. Use this option to select the Contents of QC Area report and the limits within which it is to be printed.

Option 7. Contents of Bulk Store Areas. Use this option to print the Contents of Bulk Store Area report for selected bulk store areas.

Option 8. Miscellaneous Item Stock. Use this option to print the Miscellaneous Item Stock List for items in selected warehouses.

Option 9. Goods Received Notes. Use this option to print a report listing the Goods Received Notes entered since the last report date or between two specified dates. This option can be selected only if the GRN system is active (I19=Y). It should not be used if you are using the GRN for IFM's Invoice—Receipt Matching function.

Option 1. Stock Status—Inventory (AMIM21)

Use this option when you need a report showing a summary of inventory activity for the past period, based on data accumulated in the Item Balance file. At period-end closing, current period fields in the Item Balance file are set to zero for the start of a new period. A Stock Status Review report can be printed just before closing activity to provide an audit trail of current period activity.

The report can be printed in sequence by item number, item class, or vendor. You can specify whether the item description is to be printed on the report. The quantity on hand can be multiplied by standard cost, average cost, or last cost to calculate extended unit cost. You can elect to print only those items having a negative on-hand balance. You can elect to print all, only one, or a range of item numbers, item classes, and vendors. You can select one warehouse or all warehouses.

For example, you may want to periodically print the Stock Status Review with no limits (all records are printed) for use by employees who need to know the stock status but who do not have access to a work station for making inquiries. The employees in the stockroom would probably need the report in item number sequence, while employees in the purchasing department might prefer vendor sequence.

This report can be used for exception analysis. For example, you can select limits of one vendor and a range of item classes printed in the item class sequence. Using last cost for extended cost, analyze the replacement cost of certain classes of items that you procure from the vendor with subtotals by item class.

What information you need:

- The printing sequence of the report:
 - By item
 - By item class
 - By vendor.
- The warehouse whose items you want to appear on the report, if you are printing items from only one warehouse
- The beginning and ending item numbers, item classes, and vendors, if you are not printing all items in inventory
- The unit cost (standard, average, or last) you want to use to calculate on hand cost for items that have a negative on hand quantity.

What reports are printed: Inventory Stock Status Review report (AMI2B).

What forms you need: None.

The basic steps to print a stock status—inventory report follow each display.

AMI2A1—Stock Status Review Report Options

Use this display to select the options for printing the Inventory Stock Status Review report (AMI2B).

This display appears when you select option 1 on the Status/Analysis Reports menu (AMIM21).

```

DATE **/**/**                STOCK STATUS REVIEW                AMI2A1 **
                               REPORT OPTIONS

SEQUENCE: n                    ITEM DESCRIPTION: n
  1 ITEM                        1 WILL PRINT
  2 CLASS                       2 WILL NOT PRINT
  3 VENDOR

OPTIONAL REPORT LIMITS:
  WAREHOUSE                     aA3
  ITEM NUMBERS FROM- aA15A15   TO- aA15A15
  CLASSES FROM- aA4           TO- aA4
  VENDORS FROM- aA6           TO- aA6

CALCULATE ON-HAND COST USING: n    PRINT NEGATIVE BALANCES ONLY: n
  1 STANDARD UNIT COST             1 YES
  2 AVERAGE UNIT COST             2 NO
  3 LAST UNIT COST

                                     F24 CANCEL THE JOB

```

What to do

To print the report, type in your options and press **Enter**. The Inventory Stock Status Review report is scheduled for printing and the Status/Analysis Reports menu (AMIM21) appears again.

Function keys

F24 CANCEL THE JOB causes no report to be scheduled for printing, and the Status/Analysis Reports menu (AMIM21) to appear again.

Fields

SEQUENCE. Required. The value in this field is based on the answer given during application tailoring.

- 1 Item.
- 2 Class.
- 3 Vendor. This is the default.

Contents	Index	Exit
--------------------------	-----------------------	----------------------

ITEM DESCRIPTION. Required. The value in this field is based on the answer given during application tailoring.

- 1 Will print.
- 2 Will not print. This is the default.

OPTIONAL REPORT LIMITS. The following subfields allow you to specify limits for the report. If no limits are entered, all of the Item Balance records are printed. You can use one, or any combination, of these limits.

WAREHOUSE: If you have multiple warehouses defined in the Warehouse Master file, type in the code of the warehouse to be used on the report. If you have multiple warehouses and leave this field blank, all warehouses are shown on the report.

If you have only one warehouse, the warehouse defined in the Warehouse Master file appears in this field and cannot be changed.

ITEM NUMBERS FROM/TO: Type in the range of item numbers to appear on the report.

CLASSES FROM/TO: Type in the range of item classes to appear on the report. The item class is a user-defined code that describes the classification to which the item belongs.

For example, you can designate all steel items with the code ST and further classify them in categories of 01 through 99. To see all steel items, type in the range of ST01 through ST99.

VENDORS FROM/TO: Type in the range of vendors to appear on the report.

CALCULATE ON-HAND COST USING. Required. The value in this field is based on the answer given during application tailoring.

- 1 Standard.
- 2 Average.
- 3 Last. This is the default.

PRINT NEGATIVE BALANCES ONLY. Type **1** (yes) to print only negative balances on the report or accept the default of **2** (no) to include all balances.

Option 2. Stock Status–Location (AMIM21)

Use this option when you need a detailed listing of all items normally held in stock or a summary listing of all items currently in stock. These listings show information on items that are held in stock at the warehouses you specify. The summary listing shows information on all items within the range you specify. If you choose to print all warehouses, all items, whether currently in stock or not, are printed. Otherwise, only items currently in stock are printed. The detail listing shows details of all items within the range you specify that are normally held in stock, and the message NONE IN STOCK appears if the item is not currently in stock.

Both listings print item information such as item number and description, stocking unit of measure, number of items waiting for quality control inspection, number of items that are past their quality control inspection date, number of items that have been rejected by quality control, sum of all QC item types N/A and Checked, sum of all QC item types, and the percentage of approved stock.

The detail listing shows additional information such as the order number, batch/lot number, FIFO date, stock location as defined in the Location Detail file, and the number of items stored in each location as recorded in the Location Quantity file. It also prints the quality control type code if quality control is active.

These listings are useful anytime you want to know, by location, what items are on hand. They are also useful when maintaining files. The listings show items that have no stock, and these items can be removed from the file.

What information you need:

- The range of item numbers, if you do not want to see all items
- The warehouse code, if you want to see items from only one warehouse.

What reports are printed: One of the following reports is printed depending on the option you select on the Location Stock Status (Select) display (AMISE1):

- Location Stock Status–Detail (AMISD)
- Location Stock Status–Summary (AMISF).

What forms you need: None.

The basic steps to print a stock status—location report follow each display.

AMISE1—Location Stock Status (Select)

Use this display to select the type of Location Stock Status report to be printed.

This display appears when you select option 2 on the Status/Analysis Reports menu (AMIM21).

```
DATE **/**/**          LOCATION STOCK STATUS          SELECT          AMISE1  **

                        OPTION  n

                        1  DETAILED
                        2  SUMMARY

ITEM FROM aaaaaaaaaaA15 TO aaaaaaaaaaA15

WAREHOUSE aA3

                                F24 CANCEL JOB
```

What to do

- To print a detailed listing of all items normally held in stock, select option 1, type in any additional information needed, and press **Enter**. The Location Stock Status report is scheduled for printing, and the Status/Analysis Reports menu (AMIM21) appears again.
- To print a summary listing of all items currently held in stock, select option 2, type in any additional information needed, and press **Enter**. The Location Stock Status report is scheduled for printing, and the Status/Analysis Reports menu (AMIM21) appears again.

Function keys

F24 CANCEL JOB causes no report to be scheduled for printing, and the Status/Analysis Reports menu (AMIM21) to appear again.

Fields

OPTION. Required. Type in one of the following codes:

- 1** DETAILED. Print the Location Stock Status – Detail Report (AMISD). The report is a detailed listing showing inventory balances and quality control information for all items selected. Where inventory balances are 0, the message NONE IN STOCK or NONE APPROVED appears.
- 2** SUMMARY. Print the Location Stock Status – Summary report (AMISF). The report is a listing of all items summarized by warehouse within item number.

Contents	Index	Exit
--------------------------	-----------------------	----------------------

ITEM FROM/TO. Type in the range of item numbers to be used on the report.

If the **TO** field is blank, all items starting with the **FROM** item number to the last item number in the file are used on the report.

If the **FROM** field is blank, all items starting with the first item number in the file up to and including the **TO** item are used on the report.

If both fields are blank, all items are used on the report.

WAREHOUSE. If you have multiple warehouses defined in the Warehouse Master file, type in the code of the warehouse to be used on the report. If you have multiple warehouses and leave this field blank, all warehouses are shown on the report.

If you have only one warehouse, the warehouse defined in the Warehouse Master file appears in this field and cannot be changed.

Option 3. Purchase Order Status (AMIM21)

Use this option when you need a report showing the status of the open purchase orders. The report can help you evaluate vendor delivery performance. Periodically, you can print all open orders for employees to use at a receiving dock to help identify and report receipts from vendors. It can also help in receiving inspections. If each employee in purchasing is assigned a planner number, this report can be printed by planner number, follow-up or due date, and vendor/due date sequence to be used to call vendors to verify that orders arrive on time. Such a report would help avoid production stoppage caused by overdue purchase orders.

Note: If Purchasing is installed and interfacing, the application considers an item to be received into inventory either when it is received at dock or received to stock, depending on your selections during application tailoring.

Since the report shows quantity received at the dock, this information can help you avoid asking the vendor to ship an order which in reality has been delivered but not yet moved from the receiving dock into stores.

What information you need:

- The printing sequence of the report:
 - By due date
 - By planner/due date
 - By item
 - By planner/item
 - By vendor/order
 - By vendor/due date
 - By planner/vendor/due date
 - By order/item/warehouse.
- An optional variance percent, if you want to select only those orders for which the quantity received is over or under the quantity ordered by a specified percent
- The warehouse number for orders you want to appear on the report, if you are printing items from only one warehouse
- The planner whose orders you want to appear on the report, if you are printing items for only one planner
- A due date, if you want only orders with due dates on or before a specified date
- A follow-up date, if you want only orders with follow-up dates on or before a specified date
- The beginning and ending vendor numbers, item numbers, and order numbers, if you are not printing all purchase orders.

What report is printed: Purchase Order Status Report (AMI2D)

What forms you need: None.

The basic steps to print a purchase order status report follow each display.

AMI2C1—Purchase Order Status Report Options

Use this display to select the options for printing the Purchase Order Status report (AMI2D).

This display appears when you select option 3 on the Status/Analysis Reports menu (AMIM21).

```

DATE **/**/**          PURCHASE ORDER STATUS          AMI2C1 **
                        REPORT OPTIONS

SEQUENCE: n
  1 DUE DATE                ITEM DESCRIPTION AND REFERENCE: n
  2 PLANNER/DUE DATE        1 WILL PRINT
  3 ITEM                    2 WILL NOT PRINT
  4 PLANNER/ITEM
  5 VENDOR/ORDER
  6 VENDOR/DUE DATE
  7 PLANNER/VENDOR/DUE DATE
  8 ORDER/ITEM/WAREHOUSE

OPTIONAL VARIANCE PERCENT:
  UNDER VARIANCE % nn
  OVER VARIANCE % nn

OPTIONAL REPORT LIMITS:
  WAREHOUSE                aA3
  PLANNER                  nnnnn
  DUE DATES                BEFORE- nnnnnn
  FOLLOW-UP DATES          BEFORE- nnnnnn
  VENDORS                  FROM-  aaaaA6          TO-  aaaaA6
  ITEM NUMBERS             FROM-  aaaaaaaaaA15       TO-  aaaaaaaaaA15
  ORDER NUMBERS           FROM-  aaaaaA7          TO-  aaaaaA7

F24 CANCEL THE JOB

```

What to do

To print the report, select your options, type in the information requested, and press **Enter**. The Purchase Order Status report is scheduled for printing and the Status/Analysis Reports menu (AMIM21) appears again.

Function keys

F24 CANCEL THE JOB causes no report to be scheduled for printing. The Status/Analysis Reports menu (AMIM21) appears again.

Fields

SEQUENCE. Required. The value in this field is based on the answer given during application tailoring. The value can be changed. The full sort sequences are:

- 1 Due date
- 2 Planner/due date
- 3 Item
- 4 Planner/item
- 5 Vendor/order
- 6 Vendor/due date
- 7 Planner/vendor/due date
- 8 Order/item/warehouse

Contents	Index	Exit
--------------------------	-----------------------	----------------------

ITEM DESCRIPTION AND REFERENCE. Required. The value in this field is based on the answer given during application tailoring. The value can be changed.

- 1 Will print. An additional line with the following fields is printed for each Order Item Detail record: Description, Planner, Reference, Customer Job Number, Vendor, Vendor Catalog Number, Quantity Deviation, Quantity Scrapped, Follow-Up Date, and Stock Location.
- 2 Will not print.

The following fields can be used to specify limits for the report. If no limits are entered, all purchase orders are printed. You can use one, or any combination, of these limits.

OPTIONAL VARIANCE PERCENT.

UNDER VARIANCE %. Orders for which the quantity received is under the quantity ordered by a specified percent. Type in the under variance percentages to be applied.

OVER VARIANCE %. Orders for which the quantity received is over the quantity ordered by a specified percent. Type in the over variance percentages to be applied.

OPTIONAL REPORT LIMITS.

WAREHOUSE. Type in the warehouse to appear on the report.

PLANNER. Type in the number of the planner whose orders are to appear on the report.

DUE DATES (BEFORE). Type in the due date for the report. All purchase orders with due dates before the date you type in are printed.

FOLLOW-UP DATES (BEFORE). Type in the follow-up date for the report. All purchase orders with follow-up dates on or before the date you type in are printed.

VENDORS FROM/TO. Type in the range of vendors to appear on the report.

ITEM NUMBERS FROM/TO. Type in the range of item numbers to appear on the report.

ORDER NUMBERS FROM/TO. Type in the range of order numbers to appear on the report.

Option 4. Manufacturing Order Status (AMIM21)

Use this option when you need a report showing the status of the open manufacturing orders. The report can be selected in six sequences: due date, planner/due date, item, planner/item, start date, and planner/start date. You can specify optional report limits of planner, due dates, start dates, and item numbers, and you can specify whether the order description, quantity breakdown and component explosion are to be printed. You can also specify a percent over variance or under variance to print only those purchase orders for which there are receipts and the quantity received is the specified percent more or less than the quantity ordered.

This report can be used in a variety of ways. By selecting to print only orders with a due date in the near future, this report can be used to follow up on orders nearing completion and on orders that should be expedited. Another option is to print by a range of start dates to determine if components have been picked, thereby ensuring that work begins as scheduled. Watching for unissued components is another way to avoid work stoppages caused by lack of materials. Selecting to print only orders under a specified variance percent helps identify those orders which are not being produced in quantities sufficient to meet your needs. The over variance percent would tend to point out excess inventory.

What information you need:

- The printing sequence of the report:
 - By due date
 - By planner/due date
 - By item
 - By planner/item
 - By start date
 - By planner/start date.
- An optional variance percent, if you want to select only those orders for which the quantity received is over or under the quantity ordered by a specified percent
- The planner whose orders you want to appear on the report, if you are printing items for only one planner
- A due date, if you want only orders whose due dates are on or before a specified date
- The beginning and ending item numbers if you are not printing all purchase orders.

What report is printed: Manufacturing Order Status Report (AMI2E)

What forms you need: None.

The basic steps to print a manufacturing order status report follow each display.

AMI2C2—Manufacturing Order Status Report Options

Use this display to select the options for printing the Manufacturing Order Status report (AMI2E).

This display appears when you select option 4 on the Status/Analysis Reports menu (AMIM21).

```

DATE **/**/**           MANUFACTURING ORDER STATUS           AMI2C2  **
                        REPORT OPTIONS

SEQUENCE:  n           MFG ORDER DESC AND QTY BREAKDOWN:  n
  1 DUE DATE           1 WILL PRINT
  2 PLANNER/DUE DATE  2 WILL NOT PRINT
  3 ITEM
  4 PLANNER/ITEM      COMPONENT EXPLOSION:           n
  5 START DATE        1 WILL PRINT
  6 PLANNER/START DATE 2 WILL NOT PRINT

                        OPTIONAL VARIANCE PERCENT:
                        UNDER VARIANCE %   nn
                        OVER VARIANCE %    nn

OPTIONAL REPORT LIMITS:
  PLANNER              nnnnn
  DUE DATES            BEFORE- nnnnnn
  START DATES          FROM-  nnnnnn
  ITEM NUMBERS         FROM-  aaaaaaaaaaaaA15

                        T0-  nnnnnn
                        T0-  aaaaaaaaaaaaA15

                        F24 CANCEL THE JOB
  
```

What to do

To print the report, select your options, type in the information requested, and press **Enter**. The Manufacturing Order Status report is scheduled for printing and the Status/Analysis Reports menu (AMIM21) appears again.

Function keys

F24 CANCEL THE JOB causes no report to be scheduled for printing, and the Status/Analysis Reports menu (AMIM21) to appear.

Fields

SEQUENCE. Required. The value in this field is based on the answer given during application tailoring. The value can be changed. The full sort sequences are:

- 1 Due date
- 2 Planner/due date
- 3 Item
- 4 Planner/item
- 5 Start date
- 6 Planner/start date

MFG ORDER DESC AND QTY BREAKDOWN. Required. The value in this field is based on the answer given during application tailoring. The value can be changed.

Contents	Index	Exit
-----------------	--------------	-------------

1 Will print. An additional line is printed containing an item description and quantities split, received, scrapped, and deviation.

2 Will not print.

COMPONENT EXPLOSION. Required. The value in this field is based on the answer given during application tailoring. The value can be changed.

1 Will print. The component item number, the description, and the required, issued, scrapped, and unissued quantities for each component on the order are printed.

2 Will not print.

The following fields allow you to specify limits for the report. If no limits are entered, all manufacturing orders are printed. You can use one, or any combination, of these limits.

OPTIONAL VARIANCE PERCENT.

UNDER VARIANCE %. Orders for which the quantity received is under the quantity ordered by a specified percent. Type in the under variance percentages to be applied.

OVER VARIANCE %. Orders for which the quantity received is over the quantity ordered by a specified percent. Type in the over variance percentages to be applied.

OPTIONAL REPORT LIMITS.

PLANNER. Type in the number of the planner whose orders are to appear on the report.

DUE DATES BEFORE. Type in the due date for the report. All manufacturing orders with due dates on or before the date you type in are printed.

START DATES FROM/TO. Type in the start date range for the report. All manufacturing orders having start dates within the range of dates you type in are printed.

ITEM NUMBERS FROM/TO. Type in the range of item numbers to appear on the report.

Option 5. Purchase/Manufacturing Order Status (AMIM21)

Use this option when you need a report showing the status of the open purchase and manufacturing orders. The report can be selected in four sequences: due date, planner/due date, item, and planner/item. You can specify optional report limits for planner, due dates, and item numbers, whether the purchase order item description and reference are to be printed, and whether the manufacturing order description and quantity breakdown are to be printed. You can also specify a percent over variance or under variance to print only those purchase orders for which there are receipts and the quantity received is the specified percent more or less than the quantity ordered.

What information you need:

- The printing sequence of the report:
 - By due date
 - By planner/due date
 - By item
 - By planner/item.
- An optional variance percent, if you want to select only those orders for which the quantity received is over or under the quantity ordered by a specified percent
- The planner whose orders you want to appear on the report, if you are printing items for only one planner
- A due date, if you want only orders whose due dates are on or before a specified date
- The beginning and ending item numbers, if you are not printing orders for all items.

What reports are printed:

- Purchase Order Status Report (AMI2D)
- Manufacturing Order Status Report (AMI2E).

What forms you need: None.

The basic steps to print a purchase/manufacturing order status report follow each display.

AMI2C3—Purchase and Manufacturing Order Status Report Options

Use this display to select the options for printing both the Purchase Order Status report (AMI2D) and the Manufacturing Order Status report (AMI2E).

This display appears when you select option 5 on the Status/Analysis Reports menu (AMIM21).

```

DATE **/**/**      PURCHASE AND MANUFACTURING ORDER STATUS      AMI2C3  **
                    REPORT OPTIONS

SEQUENCE:  n                P O ITEM DESC AND REFERENCE:      n
  1 DUE DATE                1 WILL PRINT
  2 PLANNER/DUE DATE        2 WILL NOT PRINT
  3 ITEM
  4 PLANNER/ITEM            MFG ORDER DESC AND QTY BREAKDOWN:  n
                                1 WILL PRINT
                                2 WILL NOT PRINT

                                OPTIONAL VARIANCE PERCENT:
                                UNDER VARIANCE %      nn
                                OVER VARIANCE %       nn
OPTIONAL REPORT LIMITS:
  PLANNER                    nnnnn
  DUE DATES                   BEFORE- nnnnnn
  ITEM NUMBERS                FROM- aaaaaaaaaaaaA15  TO- aaaaaaaaaaaaA15

                                F24 CANCEL THE JOB
  
```

What to do

To print the reports, select your options, type in the information requested, and press **Enter**. The purchase and manufacturing order status reports are scheduled for printing and the Status/Analysis Reports menu (AMIM21) appears again.

Function keys

F24 CANCEL THE JOB causes no report to be scheduled for printing, and the Status/Analysis Reports menu (AMIM21) to appear again.

Fields

SEQUENCE. Required. The value in this field is based on the answer given during application tailoring. The value can be changed. The sort sequences are:

- 1 Due date
- 2 Planner/due date
- 3 Item
- 4 Planner/item

P O ITEM DESC AND REFERENCE. Required. The value in this field is based on the answer given during application tailoring. The value can be changed.

- 1 Will print.

Contents	Index	Exit
-----------------	--------------	-------------

2 Will not print.

MFG ORDER DESC AND QTY BREAKDOWN. Required. The value in this field is based on the answer given during application tailoring. The value can be changed.

1 Will print.

2 Will not print.

The following fields allow you to specify limits for the report. If no limits are entered, all purchase orders and manufacturing orders are printed. You can use one, or any combination, of these limits.

OPTIONAL VARIANCE PERCENT.

UNDER VARIANCE %. Orders for which the quantity received is under the quantity ordered by a specified percent. Type in the under variance percentages to be applied.

OVER VARIANCE %. Orders for which the quantity received is over the quantity ordered by a specified percent. Type in the over variance percentages to be applied.

OPTIONAL REPORT LIMITS.

PLANNER. Type in the number of the planner whose orders are to appear on the report.

DUE DATES (BEFORE). Type in the due date for the report. All purchase and manufacturing orders with due dates on or before the date you type in are printed.

ITEM NUMBERS FROM/TO. Type in the range of item numbers to appear on the report.

Option 6. ABC Analysis (AMIM21)

Use this option when you need a report highlighting inventory items that represent the largest investments. It lists items by annual usage expressed in monetary units, with the highest value items shown first. In most inventories, a few items account for most of the value of annual usage. Knowledge of those items can influence your decisions about quantities, order points, safety stock, or cycle count frequency.

Five item type selections can be specified for this report: assembly and subassembly, fabricated item, raw material, purchased item, and a user-defined item type. You can specify whether the report is printed for a specified warehouse or for all warehouses. You can also specify which of two secondary calculations are to be used, the unit cost multiplied by the quantity on hand or the price multiplied by the estimated annual usage.

By adjusting the order quantities according to annual usage, the average inventory level can be reduced significantly. You could, for example, elect to print only raw material and purchased items to analyze those items which you buy from vendors. By selecting a secondary calculation of unit cost multiplied by quantity on hand, you can analyze the degree to which your investment in inventory is in line with usage. By selecting secondary calculation of price times annual usage, you can analyze annualized price versus cost.

What information you need:

- The item types to be included on the report, if you are not printing all item types
- The warehouse whose items you want to appear on the report, if you are printing items from only one warehouse
- The secondary calculation you want printed on the report:
 - On hand cost (unit cost times quantity on hand), to compare usage with investment
 - Annual use at price (price times estimated annual usage), to compare gross margin.

What reports are printed:

- Annual Usage Extension (AMI2G)
- A-B-C Analysis Report (AMI2H).

What forms you need: None.

The basic steps to print an A-B-C Analysis report follow each display.

AMI2F1—ABC Analysis Report Options

Use this display to select the options for printing the ABC Analysis report (AMI2H) and the Annual Usage Extension report (AMI2G).

This display appears when you select option 6 on the Status/Analysis Reports menu (AMIM21).

```
DATE **/**/**                ABC ANALYSIS                AMI2F1  **
                               REPORT OPTIONS

ITEM TYPES TO BE INCLUDED ON REPORT: aaaA5  IF NO ENTRIES ARE MADE
  1 ASSEMBLY AND SUB-ASSEMBLY              ALL ITEM TYPES WILL BE
  2 FABRICATED ITEM                        INCLUDED ON THE REPORT
  3 RAW MATERIAL
  4 PURCHASED ITEM
  9 USER OPTION

OPTIONAL REPORT LIMIT:
      WAREHOUSE    aA3

SECONDARY CALCULATION CODE: n
      1 LAST COST X QTY ON HAND
      2 PRICE X EST ANNUAL USAGE

                               F24 CANCEL THE JOB
```

What to do

To print the reports, select your options, type in the information requested, and press **Enter**. The ABC Analysis report and the Annual Usage Extension report are scheduled for printing and the Status/Analysis Reports menu (AMIM21) appears again.

Function keys

F24 CANCEL THE JOB causes no report to be scheduled for printing, and the Status/Analysis Reports menu (AMIM21) to appear again.

Fields

ITEM TYPES TO BE INCLUDED ON REPORT. Type in the numbers that correspond to the item types to appear on the report. The sort sequences are:

- blank** All item types included
- 1** Assembly and subassembly
- 2** Fabricated item
- 3** Raw material
- 4** Purchased item
- 9** User option

Contents	Index	Exit
--------------------------	-----------------------	----------------------

WAREHOUSE. If you have multiple warehouses defined in the Warehouse Master file, type in the code of the warehouse to be used on the report. If you have multiple warehouses and leave this field blank, all warehouses are shown on the report.

If you have only one warehouse, the warehouse defined in the Warehouse Master file appears in this field and cannot be changed.

SECONDARY CALCULATION CODE. Required. The value in this field is based on the answer given during application tailoring. The value can be changed.

- 1** The secondary calculation printed on the report is the cost of the on hand inventory to allow you to compare usage with investment. This field appears as STD., AVG., or LAST.
- 2** The secondary calculation is the annual usage times base price to allow you to compare gross margin.

Option 7. Financial Stock Analysis (AMIM21)

Use this option when you need a report analyzing your inventory investment in terms of the flow of money. Analysis of these items can lead to reduced handling and better use of storage. Losses due to obsolescence can be reduced by spotting trends before large supplies of an item are accumulated.

The financial stock analysis report can be printed in one of six sequences: item number, vendor, date of last use, profit amount, profit percent, and on hand cost. You can specify optional report limits for item numbers, vendors, last usage dates, profit amounts, profit percents, and on hand cost. You can calculate extended unit cost values by using the standard, average, or last unit cost.

This report is a good method for analyzing your inventory investment. You can select and rank items according to on hand cost to identify those items in which you have high inventory investment. This allows you to concentrate analysis on the most important items. By selecting and ranking items according to year-to-date profit amount, you can identify your high and low profit items, and make price or product line changes. For the same objectives, you can select and rank items according to year-to-date profit percent to analyze the gross margin of items.

What information you need:

- The printing sequence of the report:
 - By item
 - By vendor
 - By date of last use
 - By profit amount
 - By profit percent
 - By on hand cost.
- The beginning and ending item numbers, vendor numbers, dates of last use, profit amounts, profit percents, and on hand costs, if you are not printing all items in inventory
- The unit cost (standard, average, or last) you want to use to calculate on hand cost.

What reports are printed: Inventory Analysis Report–Financial (AMI2K1).

What forms you need: None.

The basic steps to print a financial stock analysis report follow each display.

AMI211—Financial Stock Analysis Report Options

Use this display to select the options for printing the Inventory Analysis Report – Financial (AMI2K1).

This display appears when you select option 7 on the Status/Analysis Reports menu (AMIM21).

```

DATE **/**/**                FINANCIAL STOCK ANALYSIS                AMI211 **
                             REPORT OPTIONS

SEQUENCE: n
  1 ITEM NUMBER              4 PROFIT AMOUNT
  2 VENDOR                   5 PROFIT PERCENT
  3 DATE OF LAST USE        6 ON-HAND COST

OPTIONAL REPORT LIMITS:
  ITEM NUMBERS FROM- aaaaaaaaaaA15      TO- aaaaaaaaaaA15
  VENDOR        FROM- aaaaA6            TO- aaaaA6
  DATE OF LAST USE FROM- nnnnnn         TO- nnnnnn
  PROFIT AMOUNTS FROM- nnnnnnnnnnnn.nn  TO- nnnnnnnnnnnn.nn
  PROFIT PERCENTS FROM- nn.nnn          TO- nn.nnn
  ON-HAND COST   FROM- nnnnnnnnnnnn.nnnn TO- nnnnnnnnnnnn.nnnn

CALCULATE ON-HAND COST USING: n
  1 STANDARD UNIT COST
  2 AVERAGE UNIT COST
  3 LAST UNIT COST

                                     F24 CANCEL THE JOB

```

What to do

To print the report, select your options, type in the information requested, and press **Enter**. The Inventory Analysis Report – Financial is scheduled for printing and the Status/Analysis Reports menu (AMIM21) appears again.

Function keys

F24 CANCEL THE JOB causes no report to be scheduled for printing, and the Status/Analysis Reports menu (AMIM21) to appear again.

Fields

SEQUENCE. Required. The value in this field is based on the answer given during application tailoring. The value can be changed. The full sort sequences are:

- 1 Item number
- 2 Vendor
- 3 Date of last use
- 4 Profit amount
- 5 Profit percent
- 6 On-hand cost

[Contents](#)[Index](#)[Exit](#)

OPTIONAL REPORT LIMITS. The following fields allow you to specify limits for the report. If no limits are entered, all Item Balance records are printed. You can use one, or any combination, of these limits.

ITEM NUMBERS FROM/TO. Type in the range of item numbers to appear on the report.

VENDOR FROM/TO. Type in the range of vendors to appear on the report.

DATE OF LAST USE FROM/TO. Type in the range of dates to appear on the report. All items with dates of last use within the range you type in are printed.

PROFIT AMOUNTS FROM/TO. Type in the Range of profit amounts to appear on the report. All items with sales profit amounts within the range you type in are printed. (The sales profit amount is equal to sales amount minus the cost of sales.)

PROFIT PERCENTS FROM/TO. Type in the range of profit percents to appear on the report. All items with sales profit percents within the range you type in are printed. (Sales profit percent is equal to profit amount divided by sales amount.)

ON-HAND COST FROM/TO. Type in the range of on hand costs to appear on the report. All items in inventory with an on-hand cost within the range you type in are printed. (The on-hand cost is equal to the quantity on-hand multiplied by the selected unit cost.)

CALCULATE ON-HAND COST USING. Required. The value in this field is based on the answer given during application tailoring. The value can be changed.

- 1 Standard unit cost
- 2 Average unit cost
- 3 Last unit cost

Option 8. Stock Movement Analysis (AMIM21)

Use this option when you need a report analyzing your inventory investment in terms of quantity. This report is very similar to the financial analysis report. The difference is that the stock movement report uses the quantity rather than the value of the items.

The stock movement report can be printed in one of three sequences: item number, vendor, or date of last use. You can specify optional report limits for item numbers, vendors, and last usage dates.

For example, to aid in identifying and analyzing slow moving or obsolete items, you can select an appropriate limit on date of last use to produce a report showing only those items having no recent usage.

What information you need:

- The printing sequence of the report:
 - By item
 - By vendor
 - By date of last use.
- The beginning and ending item numbers, vendors, and dates of last use, if you are not printing all items in inventory.

What reports are printed: Inventory Analysis Report–Stock Movement (AMI2K2).

What forms you need: None.

The basic steps to print a stock movement analysis report follow each display.

AMI2I2—Stock Movement Analysis Report Options

Use this display to select the options for printing the Inventory Analysis Report – Stock Movement (AMI2K2).

This display appears when you select option 8 on the Status/Analysis menu (AMIM21).

```
DATE **/**/**          STOCK MOVEMENT ANALYSIS          AMI2I2 **
                        REPORT OPTIONS

SEQUENCE: n
      1 ITEM NUMBER
      2 VENDOR
      3 DATE OF LAST USE

OPTIONAL REPORT LIMITS:
  ITEM NUMBERS      FROM- aaaaaaaaaaaaA15  TO- aaaaaaaaaaaaA15
  VENDOR            FROM- aaaaA6           TO- aaaaA6
  DATE OF LAST USE FROM- nnnnnn           TO- nnnnnn

F24 CANCEL THE JOB
```

What to do

To print the report, select your options, type in the information requested, and press **Enter**. The Inventory Analysis Report – Stock Movement is scheduled for printing and the Status/Analysis Reports menu (AMIM21) appears again.

Function keys

F24 CANCEL THE JOB causes no report to be scheduled for printing, and the Status/Analysis Reports menu (AMIM21) to appear again.

Fields

SEQUENCE. Required. The value in this field is based on the answer given during application tailoring. The value can be changed. The full sort sequences are:

- 1 Item number
- 2 Vendor
- 3 Date of last use

OPTIONAL REPORT LIMITS. The following fields allow you to specify limits for the report. If no limits are entered, all Item Balance records are printed. You can use one, or any combination, of these limits.

Contents	Index	Exit
--------------------------	-----------------------	----------------------

ITEM NUMBERS FROM/TO. Type in the range of item numbers to appear on the report.

VENDOR FROM/TO. Type in the range of vendors to appear on the report.

DATE OF LAST USE FROM/TO. Type in the range of dates to appear on the report. All items with dates of last use within the range you type in are printed.

Option 1. Reorder Report (AMIM22)

Use this option when you need a report highlighting those items that need to be reordered. Supply levels of many items can change weekly, but only a few items may be significant to you. The report can include only those items whose quantity available is less than your reorder point plus the reorder tolerance percent. The Reorder Tolerance percent is defined during application tailoring (question I40) and stored in the System Control file. With this report, you can see items that require action. Additional information is shown that may be useful in making reordering decisions, such as lead times, average usage, safety stock, and suggested economic order quantity. You can print the report in warehouse, vendor, or item sequence. You can specify whether the item description or purchase unit of measure is to be printed. You can also specify optional report limits for warehouses, planners, vendors, and item classes.

For example, you can select vendor number sequence so that all items due to be reordered from a vendor print together. This ready reference should be helpful when negotiating with the vendor.

- **Inventory Reorder Report and Auto Release.** In Inventory Management, the Inventory Reorder Report provides the capability to automatically release requisitions and/or purchase orders to Purchasing when an order recommendation is determined for an order point item.

Order point items (with Order Policy Code B or C) can set the Auto Release Code for the item in the Item Plan file to specify:

- That requisitions or held or open purchase orders will be created, or
- That held or open blankets or fixed blankets will have releases added.

Logs are written to the Purchasing Activity file for the buyer whose item has a requisition or purchase order or release generated. If the Approval interface is active, an approval request may be sent as well.

A runtime option on the Reorder report lets you choose whether or not you actually want to perform the auto release.

- **Lot sizing adjustments.** The initial reorder quantity is determined based on the Order Policy Code (OPC) and the value of the Fixed Order Quantity (FOQ) parameter in the Item Plan.
 - OPC=B and FOQ=not 0: the FOQ represents the reorder quantity.
 - OPC=B and FOQ=0: the system calculates an economic order quantity (EOQ) which becomes the reorder quantity.
 - OPC=C and FOQ=not 0: the FOQ represents the order up to level. The reorder quantity becomes the difference between the quantity available and the order up to level.

The initial reorder quantity is rounded up to the nearest multiplier, if a multiple lot sizing rule is specified.

Then, if a minimum order quantity is specified and the reorder quantity is below the minimum, the actual order quantity will be the minimum. If the reorder quantity is greater than a maximum order quantity, the actual order quantity will be the reorder quantity. A message will be issued stating that the maximum was exceeded.

- **Date calculations.** When the Reorder report finds an item that is below its order point, it assumes the need is immediate. Realistically, however, if the requisition or order is just being created as of the system date, you might not receive it the

Contents	Index	Exit
--------------------------	-----------------------	----------------------

same day. The system determines the earliest date you can receive the material to stock based on lead times you define for the item in the Item Balance file. The date fields are calculated as follows:

Requisition date or P.O. ordered date	System date
Due to stock date	System date + (REV LT + VEN LT + SAF LT + ADJ LT)
Due to dock date	Stock date - (ADJ LT + SAF LT)
Follow-up date	Due to dock date
Promise date	Due to dock date

where:

ADJ LT	Adjusted purchase lead time
REV LT	Review lead time
SAF LT	Safety lead time
VEN LT	Vendor lead time

- **Auto release of requisitions.** If an order recommendation is determined for an item and the Auto Release Code=1 (requisition), a new requisition will be created and a notification sent to Purchasing Activity. The report will show the new requisition number. The report first checks to make sure it is not creating a duplicate requisition. If a requisition has already been released for an item for the same amount and dates and with a Requisitioner ID of '*REORDER' via Auto Release, but has not been associated to a purchase order yet, no new requisition will be created. Instead, the existing requisition number is printed on the report and identified as such.
- **Auto release of purchase orders.** If an order recommendation is determined for an item and the Auto Release Code is 2 - 7, then purchase orders or releases will be created and notifications sent to the Purchasing Activity file. The report identifies a new purchase order or a new release. If the Auto Release Code is 4 or 5, either a normal or a fixed blanket may be used to add a release. If the Auto Release Code is 6 or 7, a fixed blanket must exist.

If contracts are being used for items (using the logic of the Contract Required Code), the unit price for the purchase order will be retrieved from the contract. The contract will be updated with quantities and amounts purchased.

What information you need:

- The printing sequence of the report:
 - By warehouse
 - By vendor
 - By item.
- The warehouse whose items you want to appear on the report, if you are printing items for only one warehouse
- The beginning and ending planner, vendor, and item class, if you are not printing all items in inventory.

What reports are printed: Inventory Reorder Report (AMI2M).

What forms you need: None.

The basic steps to print a reorder report follow the display.

AMI2L1—Inventory Reorder Report Options

Use this display to select the options for printing the Inventory Reorder report (AMI2M).

This display appears when you select option 1 on the Inventory Reports menu (AMIM22).

```
AMI2L1                Inventory Reorder Report Options
Report sequence . . . . . A  1=Warehouse, 2=Vendor, 3=Item
Print item description . . . . . A  1=Print, 2=Do not print
Print purchase unit of measure . . . . . A  1=Print, 2=Do not print
Auto release of requisitions . . . . . A  1=Release, 2=Do not release
Auto release of purchase orders . . . . . A  1=Release, 2=Do not release

Report limits (optional)
Warehouse . . . . . aA3
Planner range . . . . . aaaA5          99999
Vendor range . . . . . aaaaA6         999999
Item class range . . . . . aaA4         9999
```

What to do

To print the report, select your options, type in the information requested, and press **Enter**. The Inventory Reorder report is scheduled for printing and the Inventory Reports menu (AMIM22) appears again.

Function keys

F24=Cancel causes no report to be scheduled for printing, and the Inventory Reports menu (AMIM22) to appear again.

Fields

Report sequence. The value in this field is based on the answer given during application tailoring. The value can be changed. The full sort sequences are:

- 1 Warehouse
- 2 Vendor
- 3 Item

Print item description. The value in this field is based on the answer given during application tailoring. The value can be changed.

- 1 Will print
- 2 Will not print

[Contents](#)[Index](#)[Exit](#)

Print purchase unit of measure. This field contains a default. The default can be changed.

- 1 Will print. This is the default.
- 2 Will not print.

Auto release of requisitions. Appears only if Purchasing is installed. This field determines whether or not requisitions are automatically released for items that have fallen below their reorder point.

- 1 Automatically release requisitions for items with an Auto Release Code of 1. This is the default.
- 2 Do not automatically release requisitions.

Auto release of purchase orders. Appears only if Purchasing is installed. This field determines whether purchase orders or blanket releases are automatically released for items that have fallen below their reorder point.

- 1 Automatically release purchase orders for items with an Auto Release Code of 2-7. This is the default.
- 2 Do not automatically release purchase orders.

Report limits (optional). The following fields allow you to specify limits for the report. If no limits are entered, all Item Balance records are printed. You can use one, or any combination, of these limits.

Warehouse. If you have multiple warehouses defined in the Warehouse Master file, type in the code of the warehouse to be used on the report. If you have multiple warehouses and leave this field blank, all warehouses are shown on the report.

If you have only one warehouse, the warehouse defined in the Warehouse Master file appears in this field and cannot be changed.

Planner range. Type in the range of planners to appear on the report.

Vendor range. Type in the range of vendors to appear on the report.

Item class range. Type in the range of item classes to appear on the report. The item class is a user-defined code that describes the classification to which the item belongs.

For example, you can designate all steel items with the code ST and further classify them in categories of 01 through 99. Then, to see all steel items, type in the range of ST01 through ST99.

Contents	Index	Exit
--------------------------	-----------------------	----------------------

Option 2. Control Totals (AMIM22)

Use this option when you need an audit listing of the control totals in the Item Balance file.

The control totals should be used to help maintain your accounting controls. See Chapter 16, "Accounting controls and audits".

What information you need: None.

What reports are printed: Control Total-Item Balance File (AMI2N).

What forms you need: None.

This report is selected directly from the Inventory Reports menu; there are no displays associated with this option.

Option 3. Follow-up Shortage (AMIM22)

Use this option when you need a report showing:

- Allocation detail for open manufacturing, and customer orders, by item number
- Allocation detail for manufacturing orders by order number
- Backlog detail for customer orders by order number

Note: When ISL/MISL is installed, intersite orders that are demand on a warehouse appear as customer orders.

You can choose options and limits for the Item Shortage, the Manufacturing Order Shortage, and the Customer Order Shortage reports.

The Item Shortage Report–Follow-Up Analysis shows the detail of all allocations for open manufacturing orders, open customer orders, open intersite orders, and all scheduled receipts by item number. A separate detail line is printed, showing the date and quantity for each receipt or allocation and each blanket release of purchase or customer orders. A resulting total available quantity and any shortage quantity is extended for each detail line.

This report can be requested within a range of item numbers, and any detail after a specified required date can be bypassed. You can choose not to print scheduled receipts but still include them in the actual availability calculations. You can also choose not to include receipts at all, which gives you a picture of your available stock if scheduled receipts were not to occur. Similar options exist that allow you to eliminate manufacturing or customer allocations from the report and/or from the shortage calculations. You can choose to print only the items which are short, based on the above options selected, or to print only the items which are not short.

Note: Customer allocations can be included only if COM is installed and interfacing with IM. When ISL/MISL is installed, intersite orders that represent demand appear as customer orders. Intersite orders that represent scheduled receipts are listed separately, like purchase orders.

The Manufacture Order Shortage Report–Follow-Up Analysis shows the detail of allocations for open manufacturing orders by order number. The unissued quantity, required date, and any quantity short are printed for each unissued component of the order. The shortage calculations are based on the same options selected for the Item Shortage Report. This report can be requested within a range of order numbers. You can choose to print only the orders which are short or only the orders which are not short.

The Customer Order Shortage Report–Follow-Up Analysis shows the detail of backlog for open customer orders by order number. The required quantity, required date, any quantity short, and a code indicating the allocated and backordered status are printed for each item on the order. The shortage calculations are based on one of the following options:

- Option 1: You want customer backorders included in the calculations.
- Option 2: You want shortages incurred when allocations exceed the on hand balance included in the calculations.
- Option 3: This option allows you to specify a subset of all allocations (option 2). With option 3, you want the calculations to include shortages incurred when allocations for only previously backordered items exceed the on hand balance.

Contents	Index	Exit
--------------------------	-----------------------	----------------------

- Option 4: You want all backorders (option 1) and shortages incurred when all allocations exceed the on hand balance (option 2) included in the reports.

This report can be requested within a range of order numbers. You can choose to print only the orders which are short or only the orders which are not short.

Note: This report can be requested only if COM is installed and interfacing with IM. If ISL/MISL is installed, intersite orders that are demand on your warehouses appear as customer orders.

These reports can be used in a variety of ways. If you have just received a large shipment to stock and want to know which customer orders can now be shipped, you can request the Customer Order Shortage Report to print only the orders which are not short. Similarly, if you want to know which manufacturing orders can now be started, you can request the Manufacture Order Shortage Report to print only the orders which are not short.

Prior to shipping a customer order or group of orders, you can request the Customer Order Shortage Report to print only the orders which are short within a range of order numbers. This can alert you to shortages far enough in advance to correct them and avoid missing ship dates. Likewise, before starting a manufacturing order or group of orders, you can request the Manufacture Order Shortage Report to print only the orders which are short within a range of order numbers. This lets you know that a shortage exists before an order is picked and can prevent tying up expensive components in a staging area while the short items are expedited.

These reports can help to reduce overstocking. Once a shortage is indicated on an order shortage report, the Item Shortage Report should be requested to print only items which are short and which are within item number limits if only a small range of items is indicated. The Item Shortage Report shows you a time phased picture of scheduled activity, by item. With this information at hand, decisions can be made to reschedule open orders or to release new orders to satisfy shortages before they occur, thus enabling you to manage your inventory to safe levels without expensive overstocking.

What information you need:

- The names of the follow-up shortage reports you want to print
- The customer orders to be included (for the Customer Order Shortage Report):
 - Backordered
 - Allocated
 - Allocated, previously backordered
 - All
- The items/orders to be included: short, not short, or all
- The required date, if you want to print only requirements and scheduled receipts before a specified date (for the Item Shortage Report)
- The beginning and ending item numbers, if you are not printing all items on the Item Shortage Report
- The beginning and ending manufacturing order numbers, if you are not printing all manufacturing orders on the Manufacture Order Shortage Report

Contents	Index	Exit
--------------------------	-----------------------	----------------------

- The beginning and ending customer order numbers, if you are not printing all customer orders on the Customer Order Shortage Report.

What reports are printed: One or more of the following reports are printed depending on the option you select on the Follow-up Shortage Report Options displays and the options you selected during application tailoring:

- Item Shortage Report–Follow-up Analysis (AMI4Q3)
- Customer Order Shortage Report–Follow-up Analysis (AMI4W3)
- Manufacture Order Shortage Report–Follow-up Analysis (AMI4W4).

What forms you need: None.

The basic steps to print a follow-up shortage report follow each display.

AMI2P1—Follow-up Shortage Report Options

Use this display to select the follow-up shortage report types to be printed. You can also select the elements of open orders to be included in the shortage calculations for these reports.

This display appears when you select option 3 on the Inventory Reports menu (AMIM22).

```
DATE **/**/**          FOLLOW-UP SHORTAGE          AMI2P1  **
                        REPORT OPTIONS

REPORT TYPE:  n          REQUIREMENTS INCLUDED: n
              1 BY ITEM          1 MFG/SCHED
              2 BY ORDER          2 CUSTOMER
              3 BOTH              3 BOTH

SCHEDULES:   n          COMPLETED MFG ORDERS: n
              1 INCLUDED          1 INCLUDED
              2 NOT INCLUDED      2 NOT INCLUDED

F24 CANCEL THE JOB
```

What to do

To select the report types to print, type in your options and press **Enter**. Display AMI2P2 appears.

Function keys

F24 CANCEL THE JOB causes no report to be scheduled for printing, and the Inventory Reports menu (AMIM22) to appear again.

Fields

All the fields on this display are required.

REPORT TYPE. Type in one of the following:

- 1** BY ITEM. Print the Item Shortage Report – Follow-up Analysis (AMI4Q3).
- 2** BY ORDER. Print both the Customer Order Shortage Report – Follow-up Analysis (AMI4W3) and the Manufacture Order Shortage Report – Follow-up Analysis (AMI4W4). However, the selection of other options on display AMI2P3 can cause either of these reports not to be printed.
- 3** BOTH. Accept default 3 to print the Item Shortage Report and both Order Shortage reports.

REQUIREMENTS INCLUDED. This field specifies whether manufacturing requirements, customer requirements, or both are included in the shortage calculations.

- 1** MANUFACTURE. If COM is not installed and interfacing but manufacturing order tracking is supported, this field contains 1 and cannot be changed.
MFG/SCHED. If REP is installed and interfacing, the Mfg/Sched option replaces the Manufacture option allowing schedule requirements to be included in the shortage calculations.
- 2** CUSTOMER. If COM is installed and interfacing but manufacturing order tracking is not supported, this field contains 2 and cannot be changed.
- 3** BOTH. If COM is installed and interfacing and if manufacturing order tracking is supported, this field contains 3. You can change it to a 1 or 2.

SCHEDULES. Type in one of the following:

- 1** INCLUDED. Include schedules in the shortage calculations.
- 2** NOT INCLUDED. Do not include schedules in the shortage calculations.

This field only appears if REP is installed and interfacing.

COMPLETED MFG ORDERS. Type in one of the following:

- 1** INCLUDED. Include manufacturing order items that are received complete (no open order quantity).
- 2** NOT INCLUDED. Do not include items received complete. You will see only orders with items that still have an open order quantity.

[Contents](#)[Index](#)[Exit](#)

AMI2P2—Follow-up Shortage Report Options

Use this display to define further the shortage calculations. The display lets you specify if the calculations are to include scheduled receipts, customer back orders, or shortages incurred when customer allocations exceed the on hand balance.

This display appears when you press **Enter** on display AMI2P1.

```

DATE **/**/**                FOLLOW-UP SHORTAGE                AMI2P2  **
                              REPORT OPTIONS

SCHEDULED RECEIPTS: n
                        1 INCLUDED
                        2 NOT INCLUDED

INCLUDE CUSTOMER ORDERS: n
                        1 BACKORDERED
                        2 ALLOCATED
                        3 ALLOCATED, PREVIOUSLY BACKORDERED
                        4 ALL

F18 RESELECT OPTIONS
F24 CANCEL THE JOB

```

What to do

To define the shortage calculations further, type in your options and press **Enter**. Display AMI2P3 appears.

Function keys

F18 RESELECT OPTIONS causes no report to be scheduled for printing and display AMI2P1 to appear again.

F24 CANCEL THE JOB causes no report to be scheduled for printing, and the Inventory Reports menu (AMIM22) to appear again.

Fields

SCHEDULED RECEIPTS. Required. Type in a code to specify if scheduled receipts are included in the calculations.

This field defaults to 1 if purchase order or manufacturing order tracking is supported. If neither type of order tracking is supported, the field defaults to 2 and cannot be changed.

- 1** INCLUDED. Selecting option 1 here indicates that you want to include Scheduled receipt quantities in the following reports:

Contents	Index	Exit
--------------------------	-----------------------	----------------------

- The Item Shortage Report and Follow-up Analysis (AMI4Q3). Receipt quantities will be included in the quantity calculations shown on the report in the Remaining field.
 - The Customer Order Shortage Report and Follow-up Analysis (AMI4W3), and the Manufacturing Order Shortage Report and Follow-up Analysis (AMI4W4). Receipt quantities are included in the quantity calculations shown on the report in the Quantity Short field.
- 2** NOT INCLUDED. Selecting option 2 here indicates that you do not want the scheduled receipt quantities to be included in the calculations for the Remaining field on the Item Shortage Report nor in the calculations for the Quantity Short field for either Order Shortage Report.

INCLUDE CUSTOMER ORDERS. Required. Type in a code to specify the elements of customer orders that are included in the calculations. This prompt only appears if you selected 2 or 3 for Requirements Included on display AMI2P1.

- 1** BACKORDERED. Type in 1 to include customer back orders in the calculations.
- 2** ALLOCATED. Type in 2 to include shortages when allocations exceed the on hand balance included in the calculations.
- 3** ALLOCATED, PREVIOUSLY BACKORDERED. This option allows you to specify a subset of all allocations (code 2). Type in 3 for the calculations to include the shortages incurred when allocations for previously back ordered items exceed the on hand balance.
- 4** ALL. Accept the default of 4 to include all back orders (code 1) and shortages when all allocations exceed the on hand balance (code 2) included in the report(s).

AMI2P3—Follow-up Shortage Report Limits

Use this display to define how the data is to be printed on the follow-up shortage reports.

This display appears when you press **Enter** on display AMI2P2.

DATE **/**/** FOLLOW-UP SHORTAGE AMI2P3 **
REPORT LIMITS

PRINT ITEMS/ORDERS: n REQUIREMENTS TO PRINT: n

1 SHORT	1 MANUFACTURE
2 NOT SHORT	2 CUSTOMER
3 ALL	3 BOTH

SCHEDULED RECEIPTS: n SOURCES OF DEMAND: n

1 WILL PRINT	1 WILL PRINT
2 WILL NOT PRINT	2 WILL NOT PRINT

OPTIONAL REPORT LIMITS:

REQUIRED DATES	BEFORE- nnnnnn	
ITEM NUMBERS	FROM- aaaaaaaaaA15	TO- aaaaaaaaaA15
MFG ORDER NUMBERS	FROM- aaaaaA7	TO- aaaaaA7
CUST ORDER NUMBERS	FROM- nn CO aaaaaA7	TO- nn CO aaaaaA7
SCHEDULE NUMBERS	FROM- aaaaaA7	TO- aaaaaA7
PLANNER NUMBERS	FROM- aaaaaA7	TO- aaaaaA7

F18 RESELECT OPTIONS
F24 CANCEL THE JOB

What to do

To print the reports, select your options, type in the information requested, and press **Enter**. The follow-up shortage reports you selected are scheduled for printing and the Inventory Reports menu (AMIM22) appears again.

Function keys

F18 RESELECT OPTIONS causes no report to be scheduled for printing, and display AMI2P1 to appear again.

F24 CANCEL THE JOB causes no report to be scheduled for printing, and the Inventory Reports menu (AMIM22) to appear again.

Fields

PRINT ITEMS/ORDERS. Required. The items to be printed:

- 1** SHORT. Type in **1** for only items that are short on orders to be printed.
- 2** NOT SHORT. Type in **2** for only items that are not short on orders to be printed.
- 3** ALL. Accept the default of **3** for all items, both short and not short, to be printed.

Contents	Index	Exit
--------------------------	-----------------------	----------------------

REQUIREMENTS TO PRINT. Required. The reports to be printed, based on what you typed in for **REQUIREMENTS INCLUDED** on display AMI2P1.

- 1 MANUFACTURE. Manufacturing requirements are the only type printed on the Item Shortage Report – Follow-up Analysis (AMI4Q3), and the Manufacture Order Shortage Report – Follow-up Analysis (AMI4W4) is the only order shortage report printed. If this field contains 1, it cannot be changed.

MANUF/SCHED. If REP is installed and interfacing, the Manuf/Sched option replaces the Manufacture option to allow schedule requirements to be included on the Item Shortage Report – Follow-up Analysis (AMI4Q3).
- 2 CUSTOMER. Customer requirements are the only type printed on the Item Shortage Report – Follow-up Analysis (AMI4Q3), and the Customer Order Shortage Report – Follow-up Analysis (AMI4W3) is the only order shortage report printed. If this field contains 2, it cannot be changed.
- 3 BOTH. Both requirement types are printed on the Item Shortage Report – Follow-up Analysis (AMI4Q3), and both order shortage reports are printed. If this field contains 3, you can accept the default or change it to 1 or 2 to omit one of the two order shortage reports.

SCHEDULED RECEIPTS. Required. This field shows you if scheduled receipts are to be printed and applies only to the Item Shortage Report Follow-up Analysis (AMI4Q3). Scheduled receipt line information and quantities do not print on the Customer Order Shortage Report Follow-up Analysis (AMI4W3), or on the Manufacturing Order Shortage Report Follow-up Analysis (AMI4W4).

- 1 WILL PRINT. This field defaults to a 1 if you requested scheduled receipts included on display AMI2P2, and Report Type on display AMI2P1 is 1 or 3. Each scheduled receipt will be printed as a separate line on the Item Shortage Report Follow-up Analysis (AMI4Q3), indicating order number, due date, and receipt quantity. You can change this field to a 2.
- 2 WILL NOT PRINT. Scheduled receipts are not printed on the Item Shortage Report Follow-up Analysis (AMI4Q3). If only the order shortage reports were selected (Report Type is 2), this field defaults to 2 and cannot be changed.

SOURCES OF DEMAND. Required. This field allows you to specify whether you want the sources of demand for an order to be printed on the Item Shortage Report Follow-up Analysis (AMI4Q3) and on the Manufacturing Order Shortage Report Follow-up Analysis (AMI4W4).

- 1 WILL PRINT. This is the default. You can change it to 2 if you do not want sources of demand printed on the selected reports.
- 2 WILL NOT PRINT. Sources of demand are not printed on the selected reports.

OPTIONAL REPORT LIMITS. The following fields allow you to specify limits for the reports. If you do not enter limits, all records print. You can use one, or any combination, of these limits.

REQUIRED DATES BEFORE. Type in the date limit for the Item Shortage Report—Follow-up Analysis (AMI4Q3). Only requirements and scheduled receipts that fall before the date you type in are printed. This field appears only if report AMI4Q3 was selected.

Contents	Index	Exit
--------------------------	-----------------------	----------------------

ITEM NUMBERS FROM/TO. Type in the range of item numbers to appear on the Item Shortage Report—Follow-up Analysis (AMI4Q3). These fields appear only when report AMI4Q3 has been selected.

MFG ORDER NUMBERS FROM/TO. Type in the Range of manufacture order numbers to appear on the Manufacture Order Shortage Report—Follow-up Analysis (AMI4W4). These fields appear only if report AMI4W4 was selected.

CUST ORDER NUMBERS FROM/TO. Type in the range of customer order numbers to appear on the Customer Order Shortage Report—Follow-up Analysis (AMI4W3). These fields appear only if report AMI4W3 was selected.

If COM is installed and interfacing with IM, a customer order number includes the company number and order type of the associated customer order.

SCHEDULE NUMBERS FROM/TO. Type in the range of schedule numbers to appear on the Manufacture Order Shortage Report—Follow-up Analysis (AMI4W4). These fields appear only if REP is installed and interfacing and schedules were selected to be included on the Follow-up Shortage Report O display (AMI2P1).

PLANNER NUMBERS FROM/TO. Type in the range of planner numbers to appear on the Manufacture Order Shortage Report—Follow-up Analysis (AMI4W4) and on the Item Shortage Report—Follow-up Analysis (AMI4Q3).

[Contents](#)[Index](#)[Exit](#)

Option 4. Item QC & Batch/Lot Controls (AMIM22)

Use this option when you need a report listing the quality and batch/lot control codes for the item(s) specified. Each item is given specific quality control and batch/lot control codes through an Item Master file maintenance option in PDM. These codes can be reviewed in IM by entering a range of item numbers and/or item classes to print the quality and batch/lot control codes for the specified items.

This report shows whether the item requires quality control inspection during its shelf life, and if it does, the number of days the item can remain on the shelf before inspection is required. It also shows the batch/lot control code, whether the item requires inspection on receipt, and whether the item can be allocated to manufacturing or customer orders.

If you decide to change any of these codes, you should do so when the item on hand balance is zero, because the effect of the codes for the current items are not changed and the results are not consistent for the current and new items. For example, if you change an item such that batch/lot control is required and there are quantities on hand in one or more locations, those locations cannot be accessed because the batch/lot field is blank.

What information you need:

- The range of item numbers, if you do not want to see all items
- The range of item class codes, if you do not want to see all item classes.

What reports are printed: Item QC and Batch/Lot Controls (AMISQU).

What forms you need: None.

The basic steps to print an Item QC and Batch/Lot Controls report follow each display.

AMIX51—Item QC and Batch/Lot Controls (Select)

Use this display to enter the item number and item class ranges for the Item QC and Batch/Lot Controls report (AMIQU).

This display appears when you select option 4 on the Inventory Reports menu (AMIM22).

```
DATE **/**/**          ITEM QC AND BATCH/LOT CONTROLS  SELECT  AMIX51  **  
  
ITEM          FROM aaaaaaaaaaA15  TO aaaaaaaaaaA15  
ITEM CLASS FROM aaA4              TO aaA4  
  
F24 CANCEL JOB
```

What to do

To print the reports, type in the item number and item class ranges, if needed, and press **Enter**. The Item QC and Batch/Lot Controls reports are scheduled for printing and the Inventory Reports menu (AMIM22) appears again.

Function keys

F24 CANCEL JOB causes no report to be scheduled for printing, and the Inventory Reports menu (AMIM22) to appear again.

Fields

ITEM FROM/TO. Type in the range of items to appear on the report.

ITEM CLASS FROM/TO. Type in the range of item classes to appear on the report. The item class is a user-defined code that describes the classification to which the item belongs.

For example, you can designate all steel items to carry the code ST and further classify them in categories of 01 through 99. To see all steel items, type in the range of ST01 through ST99.

Contents	Index	Exit
--------------------------	-----------------------	----------------------

If the **TO** field on either of the above is blank, all values starting with the **FROM** code to the last code in the file are used on the report. If the **FROM** field on either of the above is blank, all values starting with the first code in the file up to and including the **TO** code are used on the report.

If both fields are blank, all values are used on the report.

Option 5. Items Waiting Inspection (AMIM22)

Use this option when you need reports listing information on manufactured or purchased items waiting for quality control inspection on receipt or all items due or overdue for cyclic quality control inspection.

The Manufacturing Items Waiting Inspection report shows all manufactured items waiting for quality control inspection upon receipt at a given warehouse or all warehouses.

The Purchased Items Waiting Inspection report shows all purchased items waiting for quality control inspection upon receipt at a given warehouse or all warehouses. If the GRN system is active, the GRN number is included on this report. Most often the goods received note number is used by the Accounts Payable department to double check that invoiced items were actually received.

The Cyclic QC Due/Overdue report shows all cyclic items due or overdue for quality control inspection at a given warehouse. Cyclic items are those items that require periodic reinspection during the course of their shelf life. On the display, you can type in a Look Ahead Date. If you type in a date, all items with quality control inspection due on or before this date are listed on the report. By selecting this report option, the QC status of your items is updated. This is the only option which updates the QC status of your items. You should periodically print this report to keep an accurate account of your QC items.

The Items Waiting Inspection reports are most often used as a workload planning tool. They can be run on a daily or weekly basis to determine tasks for the quality control department for that day or week.

What information you need:

- The warehouse code, if you want to see items from only one warehouse
- A look ahead date, if you want to see only items whose QC due dates are on or before a specific date.

What reports are printed: One of the following reports is printed depending on the option you select on the Items Waiting Inspection (Select) display (AMIQA1):

- Manufactured Items Waiting Inspection (AMIQB1)
- Purchased Items Waiting Inspection (AMIQB2)
- Cyclic QC Due/Overdue (AMIQB3).

What forms you need: None.

The basic steps to print an items waiting inspection report follow each display.

AMIQA1—Items Waiting Inspection (Select)

Use this display to select the type of Items Waiting Inspection report to be printed.

This display appears when you select option 5 on the Inventory Reports menu (AMIM22).

```
DATE **/**/**          ITEMS WAITING INSPECTION          SELECT          AMIQA1 **

OPTION n

1  MANUFACTURED ITEMS
2  PURCHASED ITEMS
3  CYCLIC QC DUE/OVERDUE

WAREHOUSE  aA3          LOOK AHEAD DATE          nnnnnn
PRINT QC TICKETS <Y/N>  A          USE PREPRINTED FORMS <Y/N>  A

F24 CANCEL JOB
```

What to do

To print the report, select the type of report you want to print, type in the information requested, and press **Enter**. The Items Waiting Inspection report is scheduled for printing and the Inventory Reports menu (AMIM22) appears again.

Function keys

F24 CANCEL JOB causes no report to be scheduled for printing, and the Inventory Reports menu (AMIM22) to appear again.

Fields

OPTION. Required. Type in one of the following:

- 1 Manufactured items. Print the Manufacturing Items Waiting Inspection report (AMIQB1).
- 2 Purchased items. Print the Purchase Items Waiting Inspection report (AMIQB2).
- 3 Cyclic QC due/overdue. Print the Cyclic QC Due/Overdue report (AMIQB3). This option also updates the quality control status of items (QC type code) and is available only if quality control is active.

Contents	Index	Exit
--------------------------	-----------------------	----------------------

WAREHOUSE. If you have multiple warehouses defined in the Warehouse Master file, type in the code of the warehouse to be used on the report. If you have multiple warehouses and you leave this field blank, all warehouses are shown on the report.

If you have only one warehouse, the warehouse defined in the Warehouse Master file appears in this field and cannot be changed.

LOOK AHEAD DATE. If you typed 3 in **OPTION**, type in the future date to be used on the report. All items with quality control inspection due on or before this date are listed on the report. If this field is blank, the system date is used.

PRINT QC TICKETS <Y/N>. Type in **N** if you do not want to print quality control tickets, or accept the default of Y if you do want to print quality control tickets.

This option is not displayed if PM&C is not installed and interfaced with IM.

USE PREPRINTED FORMS <Y/N>. Type in **Y** if you want to print quality control tickets on preprinted forms. Type in **N** if you want to print the tickets on blank paper. The default for using preprinted forms is initially N, but changes according to the last response you made in this field.

This option is not displayed if PM&C is not installed and interfaced with IM.

Contents	Index	Exit
--------------------------	-----------------------	----------------------

Option 6. Reject Items Waiting Disposition (AMIM22)

Use this option when you need a list of all reject items waiting for disposal or rework at a given warehouse or all warehouses. This report is most often used by the materials manager for deciding whether to return the reject items to the vendor, rework the items, or dispose of the rejected items.

What information you need: The warehouse code, if you want to see items from only one warehouse.

What reports are printed: Reject Items Waiting Disposition (AMIQD)

What forms you need: None.

The basic steps to print a Reject Items Waiting Disposition report follow each display.

AMIX11—Reject Items Waiting Disposition (Select)

Use this display to enter the warehouse code for the items to be shown on the Reject Items Waiting Disposition report (AMIQD).

This display appears when you select option 6 on the Inventory Reports menu (AMIM22).

```
DATE **/**/**          REJECT ITEMS WAITING DISPOSITION  SELECT  AMIX11 **  
  
                          WAREHOUSE aA3  
  
                          F24 CANCEL JOB
```

What to do

To print the report, type in the warehouse code and press **Enter**. The Reject Items Waiting Disposition report is scheduled for printing and the Inventory Reports menu (AMIM22) appears again.

Function keys

F24 CANCEL JOB causes no report to be printed and the Inventory Reports menu (AMIM22) to appear again.

Fields

WAREHOUSE. If you have multiple warehouses defined in the Warehouse Master file, type in the code of the warehouse to be used on the report. If you have multiple warehouses and you leave this field blank, all warehouses are shown on the report.

If you have only one warehouse, the warehouse defined in the Warehouse Master file appears in this field and cannot be changed.

[Contents](#)[Index](#)[Exit](#)

Option 7. Outstanding Goods Received Notes (AMIM22)

Use this option when you need a list of outstanding goods received notes for items that have completed quality control inspection or all outstanding goods received notes in GRN or vendor number sequence. Outstanding goods received notes are those which have not yet been matched to an invoice. This report is used by the Accounts Payable department to determine which items have been received and not yet invoiced.

Note: If you are using the **GRN** field in conjunction with IFM's invoice to receipt matching function, you should not use this option. IFM does not update this GRN file.

The first type of report you can print, Outstanding GRNs With QC Inspection Complete, shows outstanding goods received notes for items that have completed quality control inspection. The second report you can print, Outstanding GRNs, shows all outstanding goods received notes. This report includes a field which shows if quality control has inspected the item. The third report you can print, Outstanding GRNs by Vendor, shows the outstanding goods received notes for each vendor. This report also shows whether the item has been inspected by quality control and the total amount of outstanding GRNs for each vendor.

What information you need: None.

What reports are printed: One of the following reports is printed depending on the option you select on the Outstanding Goods Received Notes (Select) display (AMIGA1):

- Outstanding GRNs with QC Inspection Complete (AMIGB1)
- Outstanding GRNs (AMIGB2)
- Outstanding GRNs by Vendor (AMIGB3).

What forms you need: None.

The basic steps to print an outstanding GRNs report follow each display.

AMIGA1—Outstanding Goods Received Notes (Select)

Use this display to select the type of Outstanding Goods Received Notes report to be printed.

This display appears when you select option 7 on the Inventory Reports menu (AMIM22). You can select this option only if the Goods Received Notes system is active.

```
DATE **/**/**      OUTSTANDING GOODS RECEIVED NOTES  SELECT  AMIGA1  **

OPTION  n

      1  QC INSPECTION COMPLETE
      2  GRN SEQUENCE
      3  VENDOR SEQUENCE

F24 CANCEL JOB
```

What to do

To print the report, select the type of report you want to print and press **Enter**. The outstanding Goods Received Notes report is scheduled for printing and the Inventory Reports menu (AMIM22) appears again.

Function keys

F24 CANCEL JOB exits without scheduling a report for printing, and causes the Inventory Reports menu (AMIM22) to appear again.

Fields

OPTION. Required. Type in one of the following:

- 1 QC inspection complete. Print the Outstanding Goods Received Notes with QC Inspection Complete report (AMIGB1).
- 2 GRN sequence. Print the Outstanding Goods Received Notes report (AMIGB2).
- 3 Vendor sequence. Print the Outstanding Goods Received Notes by Vendor report (AMIGB3).

[Contents](#)[Index](#)[Exit](#)

Option 8. Invoices on Goods Received Notes (AMIM22)

Use this option when you need a list of goods received notes (GRNs) that have been matched with invoices since the last time this report was requested or a list of goods received notes that have been matched with invoices between two specified dates. You can type in the date range to be used on the report. These reports can help Accounts Payable track and balance the invoices that have been matched with GRNs.

Note: If you are using the GRN field in conjunction with IFM's invoice to receipt matching function, you should not use this option. IFM does not update this GRN file.

What information you need: For option 2 (Tagged Between Two Dates) on the Invoices on Goods Received Notes (Select) display (AMIGE1), you need the date range you want used on the report.

What reports are printed: One of the following reports is printed depending on the option you select on the Invoices on Goods Received Notes (Select) display (AMIGE1):

- Invoices on GRNs since Last Report (AMIGG1)
- Invoices on GRNs from/to (AMIGG2).

What forms you need: None.

The basic steps to print an invoices on GRNs report follow each display.

AMIGE1—Invoices on Goods Received Notes (Select)

Use this display to select the type of Invoices on Goods Received Notes report to be printed.

This display appears when you select option 8 on the Inventory Reports menu (AMIM22). You can select this option only when the Goods Received Notes system is active.

```
DATE **/**/**      INVOICES ON GOODS RECEIVED NOTES      SELECT      AMIGE1  **

OPTION n

      1  TAGGED SINCE LAST REPORT
      2  TAGGED BETWEEN TWO DATES

DATES FROM nnnnnn TO nnnnnn

F24 CANCEL JOB
```

What to do

To print the report, select the type of report you want to print, type in the information requested, if necessary, and press **Enter**. The Invoices on Goods Received Notes report is scheduled for printing and the Inventory Reports menu (AMIM22) appears again.

Function keys

F24 CANCEL JOB causes no report to be scheduled for printing, and the Inventory Reports menu (AMIM22) to appear again.

Fields

OPTION. Required. Type in one of the following:

- 1 Tagged since last report. Print a listing of Goods Received Notes that have been matched with invoices since the last time this report was requested. The Invoices on Goods Received Notes Since Last Report (AMIGG1) is selected.
- 2 Tagged between two dates. Print a listing of Goods Received Notes that have been matched with invoices between two specified dates. The Invoices on Goods Received Notes From/To report (AMIGG2) is selected.

Contents	Index	Exit
--------------------------	-----------------------	----------------------

DATES FROM/TO. If you type 2 in **OPTION**, type in the dates to be used on the report.

If the **TO** field is blank, all values starting with the **FROM** date to the last date in the file are used on the report. If the **FROM** field is blank, all values starting with the first date in the file up to and including the **TO** date are used on the report.

If both fields are blank, all values are used in the report.

Option 9. Inventory Valuation (AMIM22)

Use this option when you need a report on the standard, last, or average cost value of the item(s) in the warehouse(s) you select.

Management personnel can use three reports to determine the total value of inventory for items that are waiting inspection and items that are on hand.

If you have more than one warehouse defined in the Warehouse Master file (WHSMST), you can select the report for a single warehouse or all warehouses. If you select all warehouses, a separate report is printed for each warehouse, and a grand total of the value of approved and unapproved quantities is printed on the last page.

The first report can show the standard cost value of the items in the warehouses and item class(es) selected. The standard cost is entered and maintained by the user.

The second report can show the last cost value of the items in the warehouses and item class(es) selected. The last cost is based on the latest activity for an item. It is calculated when a costed receipt transaction is processed.

The third report can show the average cost value of the items in the warehouses and item class(es) selected. Average costs are recalculated when a costed receipt is processed.

What information you need:

- The item type, if you do not want to see all items
- The costing method (standard, last, or average) you want used on the report
- The warehouse code, if you want to see items from only one warehouse
- The item and item class ranges, if you do not want to see all items.

What reports are printed: One of the following reports is printed depending on the option you select on the Inventory Valuation (Select) display (AMISP1):

- Inventory Valuation (AMISQ)
- Inventory Valuation (AMISR)
- Inventory Valuation (AMISS).

What forms you need: None.

The basic steps to print an inventory valuation report follow each display.

AMISP1—Inventory Valuation (Select)

Use this display to select the type of Inventory Valuation report to be printed.

This display appears when you select option 9 on the Inventory Reports menu (AMIM22).

```
DATE **/**/**          INVENTORY VALUATION          SELECT  AMISP1  **

ITEM TYPE              A
COST TO BE APPLIED    n
                      1 STANDARD
                      2 LAST
                      3 AVERAGE

WAREHOUSE aA3
ITEM FROM aaaaaaaaaA15  TO aaaaaaaaaA15
ITEM CLASS FROM aaA4    TO aaA4

F24 CANCEL JOB
```

What to do

To print the report, type in the item type, the costing method, and any optional information needed, and press **Enter**. The Inventory Valuation report is scheduled for printing and the Inventory Reports menu (AMIM22) appears again.

Function keys

F24 CANCEL JOB causes no report to be scheduled for printing, and the Inventory Reports menu (AMIM22) to appear again.

Fields

ITEM TYPE. Type in one of the following:

- 0** Phantom
- 1** Assembly or subassembly
- 2** Fabricated item
- 3** Raw material
- 4** Purchased item
- 9** User option
- F** Feature

If this field is blank, all item types are used on the report.

Contents	Index	Exit
--------------------------	-----------------------	----------------------

COST TO BE APPLIED. Required. Type in the costing method to be used on the report.

- 1** STANDARD (Default). The standard cost as stored in the Item Balance file. If that value is 0, the unit cost default from the Item Master file A-record is used. The Inventory Valuation report for the standard cost (AMISQ) is selected.
- 2** LAST. The last cost as stored in the Item Balance file. If that value is 0, the unit cost default from the Item Master file A-record is used. The Inventory Valuation report for the last cost (AMISR) is selected.
- 3** AVERAGE. The average cost as stored in the Item Balance file. If that value is 0, the unit cost default from the Item Master file general information record is used. The Inventory Valuation report for the average cost (AMISS) is selected.

WAREHOUSE. If you have multiple warehouses defined in the Warehouse Master file and you want to print the Inventory Valuation report for a single warehouse, type in the code of the warehouse to be used on the report. If you have multiple warehouses and you leave this field blank, a separate report is printed for each warehouse defined in the Warehouse Master file.

If you have only one warehouse, the warehouse defined in the Warehouse Master file appears in this field and cannot be changed.

ITEM FROM/TO. Type in the range of item numbers to appear on the report.

ITEM CLASS FROM/TO. Type in the range of item classes to appear on the report. The item class is a user-defined code that describes the classification to which the item belongs.

For example, you can designate all steel items with the code ST, and classify them in categories of 01 through 99. Then, to see all steel items, set the range from ST01 to ST99.

If the ***TO*** field on either of the above is blank, all values starting with the ***FROM*** code to the last code in the file are used on the report. If the ***FROM*** field on either of the above is blank, all values starting with the first code in the file up to and including the ***TO*** code are used on the report.

If both fields are blank, all values are used on the report.

Option 1. Item Master List (AMIM23)

Use this option when you need a listing of some or all of the items in your Item Master file.

What information you need:

- The format of the listing you want:
 - BRIEF format provides one line of information per item
 - COMPLETE format provides several lines of information per item
 - CURRENT or STANDARD COSTS ONLY format provides two lines of current or standard costing information per item.

Note: Current or Standard Costs formats are available only if you selected PDM costing during application tailoring.

- The printing sequence of the listing you want:
 - By item
 - By planner
 - By vendor
 - By item type
 - By item class.
- The beginning and ending number of the category you want printed, if you are not printing all of the records within the category you select.

What reports are printed:

- Item Master File Report–Brief (AMVE40)
- Item Master File Report–Complete (AMVE41)
- Item Master File Report–Current or Standard Costs (AMVE42)

If Purchasing is installed:

- Item Master File Report–Purchase Item Detail (AMVE43)
- Item Master File Report–Purchase Item Description (AMVE44)

What forms you need: None.

The basic steps to print an Item Master List report follow each display.

AMVE11—Item Master Report (Select)

Use this display to select the run sequence, format, and limits for printing the Item Master Report.

This display appears when you select option 1 on the IM File Listings menu (AMIM23) or option 1 on the Purchasing File Listings menu (AM6M70).

```

DATE **/**/**          ITEM MASTER REPORT          SELECT    AMVE11  **

                        ENTER--
                        RUN SEQUENCE    A
                        REPORT FORMAT    A

RUN SEQUENCE BY      LOWER LIMIT    UPPER LIMIT    VALID FOR
1 SINGLE ITEM        aaaaaaaaaaaaA15  aaaaaaaaaaaaA15  ALL
2 RANGE OF ITEMS     aaaaaaaaaaaaA15  aaaaaaaaaaaaA15  ALL
3 VENDOR             aaaaA6          aaaaA6          (1-4)
4 ITEM TYPE          A               A               (1-4)
5 ITEM CLASS         aaA4           aaA4           (1-4)
6 BUYER              aaaA5          aaaA5          (5-6)
7 ITEM ACCOUNTING CLASS aA3           aA3           (1-4)
REPORT FORMAT
1 BRIEF              5 PURCHASE ITEM DETAIL
2 COMPLETE           6 PURCHASE ITEM DESCRIPTIONS
3 CURRENT COSTS ONLY
4 STANDARD COSTS ONLY

NOTE: IF NO LIMITS ARE ENTERED, ALL ITEMS WILL BE PRINTED (EXCEPT FOR RUN
SEQUENCE = 1)

                                F24 CANCEL THE JOB

```

What to do

To print the selected Item Master listing, type in the requested information and press **Enter**. The report is scheduled for printing. Go back to the menu.

Function keys

F24 CANCEL THE JOB cancels the job and causes the menu to appear again.

Fields

[?] appears next to a field name in the following field definitions to identify a field from which you can begin a master file search.

RUN SEQUENCE BY. Required. Option 1, single item, is the default. You can select the report run sequence by typing in one of the following numbers:

- 1 Single item [?]
- 2 Range of items
- 3 Vendor [?]
- 4 Item type
- 5 Item class [?]
- 6 Buyer [?]
- 7 Item accounting class.

Contents	Index	Exit
--------------------------	-----------------------	----------------------

Depending on the number selected, a report can be printed in a sequence by item, by item within vendor, by item within item type, by item within item class, by item within buyer, or by item within item accounting class.

REPORT FORMAT. Required. You can select the format of the report by typing in one of the following numbers:

- 1 Brief
- 2 Complete
- 3 Current costs only
- 4 Standard costs only
- 5 Purchase item detail
- 6 Purchase item descriptions.

If you specify 1 (Brief) or 5 (Purchase item detail), the report contains one line of information per item. If you specify 2 (Complete) or 6 (Purchase item descriptions), the report contains multiple lines of detail per item. If you specify 3 (Current costs only), the report contains two lines of current cost information per item. If you specify 4 (Standard costs only), the report contains two lines of standard cost information per item.

Notes:

1. You can select 3 and 4 only if Product Costing is active.
2. You cannot use options 3 or 4 (**CURRENT COSTS ONLY** or **STANDARD COSTS ONLY**) if you do not have the security level necessary for working with certain Item Master cost fields.

LOWER LIMIT

UPPER LIMIT. You can specify none, one, or all of the values for the run sequence you choose. This allows you to tailor the report to your requirements. For example, you can choose to see a group of items by entering the beginning and ending item numbers.

If you specify only a lower limit, only that value appears on the report. (For option 2, a range of items, you must enter a lower and an upper limit.) If you want to include all values after the lower limit, type all 9s in the **UPPER LIMIT** field. If you do not specify any upper and lower limits for any of the variables, all values are printed on the report.

Note: If you select run sequence option 2, a range of items, and leave the **ITEM LOWER LIMIT** and **UPPER LIMIT** fields blank, you are asking for all items to be included on the report. This will create a very long report. Be sure this is what you want before you leave the **ITEM** fields blank.

Contents	Index	Exit
--------------------------	-----------------------	----------------------

Option 2. Item Balance List (AMIM23)

Use this option when you need a listing of the item balance records in your Item Balance file.

What information you need:

- The warehouse whose items you want to appear on the report, if you are printing items from only one warehouse
- The beginning and ending item numbers, if you are not printing all items in the file.

What reports are printed: Item Balance File List (AMI2T).

What forms you need: None.

The basic steps to print an Item Balance File List report follow each display.

AMI2S1—Item Balance File List, Report Options

Use this display to select the options for printing the Item Balance File List (AMI2T).

This display appears when you select option 2 on the File Listings menu (AMIM23).

```
DATE **/**/**          ITEM BALANCE FILE LIST          AMI2S1  **
                        REPORT OPTIONS

OPTIONAL REPORT LIMITS:
  WAREHOUSE           aA3
  ITEM NUMBERS FROM-  aaaaaaaaaaaaA15  TO-  aaaaaaaaaaaaA15

                                F24 CANCEL THE JOB
```

What to do

To print the listing, type in the information requested and press **Enter**. The Item Balance File List is scheduled to print. The menu from which you selected this report appears again.

Function keys

F24 CANCEL THE JOB cancels printing of the report and causes the File Listings menu (AMIM23) to appear again.

Fields

OPTIONAL REPORT LIMITS. The limits for the report.

Ranges are entered and interpreted as follows:

- If blank, then all data is selected.
- If you fill in the **FROM** and **TO** fields, then records greater than or equal to the **FROM** field and less than or equal to the **TO** field appear.
- If you fill in the **FROM** field and leave the **TO** field blank, then all records equal to and greater than the **FROM** value are selected.
- If you leave the **FROM** field blank and fill in the **TO** field, then all records up to and including the **TO** value appear.

Contents	Index	Exit
--------------------------	-----------------------	----------------------

If no limits are entered, all the Item Balance records print. Use either or both of the following limits:

WAREHOUSE. If you have multiple warehouses defined in the Warehouse Master file, type in the code of the warehouse to be used on the report. If you have multiple warehouses and you leave this field blank, all warehouses are shown on the report.

If you have only one warehouse, the warehouse defined in the Warehouse Master file appears in this field and cannot be changed.

ITEM NUMBERS FROM/TO. The range of item numbers to appear on the report.

Contents	Index	Exit
--------------------------	-----------------------	----------------------

Option 3. Item Base Price List (AMIM23)

Use this option when you need a list of your item base prices.

What information you need: The beginning and ending item numbers, if you are not printing all items in inventory.

What reports are printed: Item Base Price List (AMVB6PFR).

What forms you need: None.

The basic steps to print an Item Base Price List report follow each display.

AMV540—Item Base Price List (Options)

Use this display to request a report showing the unit price for items in the Item Base Price file.

This display appears when you select option 3 on the File Listings menu (AMIM23).

```
DATE **/**/**          ITEM BASE PRICE LIST          OPTIONS  AMV540  **

DO YOU WANT TO PRINT ALL ITEMS <Y/N>          A

ENTER BEGINNING  ITEM NUMBER          aaaaaaaaaaaaA15
ENTER ENDING    ITEM NUMBER          aaaaaaaaaaaaA15

F24 CANCEL THE JOB
```

What to do

To schedule the report for printing, type in the requested information and press **Enter**. Go back to the menu from which you selected this report.

Function keys

F24 CANCEL JOB causes the Reports menu to appear again; no report is printed.

Fields

DO YOU WANT TO PRINT ALL ITEMS <Y/N>. Type in **Y** to print an item price list for all items in the Item Base Price file; otherwise, type in **N**.

ENTER BEGINNING ITEM NUMBER

ENTER ENDING ITEM NUMBER. Type in the beginning and ending item numbers to print an item price list for a range of item numbers. You can do this only if you answered N to the field **DO YOU WANT TO PRINT ALL ITEMS <Y/N>**.

Contents	Index	Exit
--------------------------	-----------------------	----------------------

Option 4. Empty Locations (AMIM23)

Use this option when you need a report listing empty locations in a given warehouse or all warehouses.

What information you need:

- The range of location numbers, if you do not want to see all locations
- The warehouse code, if you want to see locations from only one warehouse.

What reports are printed: Empty Locations (AMIWD).

What forms you need: None.

The basic steps to print an Empty Locations report follow each display.

[Contents](#)[Index](#)[Exit](#)

AMIW11—Empty Locations (Select)

Use this display to enter a location range and warehouse code for the Empty Locations report (AMIWD).

This display appears when you select option 4 on the File Listings menu (AMIM23).

```

DATE **/**/**          EMPTY LOCATIONS          SELECT    AMI11  **

LOCATION FROM aaaaA6 TO aaaaA6

WAREHOUSE aA3

LINE LOCATIONS n
1 INCLUDED
2 NOT INCLUDED
3 ONLY

F24 CANCEL JOB

```

What to do

To print the report, type in the location range and warehouse code and press **Enter**. The Empty Locations report is scheduled to print and the File Listings menu (AMIM23) appears again.

Function keys

F24 CANCEL JOB causes no report to be scheduled for printing, and the File Listings menu (AMIM23) to appear again.

Fields

LOCATION FROM/TO. Type in the range of locations (as stored in the Location Detail file) to be used on the report. Only Aisle, Bay, Level, and Pallet locations can be typed in.

If the **TO** field is blank, all values starting with the **FROM** location to the last location in the file are used on the report. If the **FROM** field is blank, all values starting with the first location in the file up to and including the **TO** location are used on the report. If both fields are blank, all values are used on the report.

WAREHOUSE. If you have multiple warehouses defined in the Warehouse Master file, type in the code of the warehouse to be used on the report. If you have multiple warehouses and you leave this field blank, all warehouses are shown on the report. If

Contents	Index	Exit
--------------------------	-----------------------	----------------------

you have only one warehouse, the warehouse defined in the Warehouse Master file appears in this field and cannot be changed.

LINE LOCATIONS. This field only appears if REP is installed and interfacing.

- 1** Included. Include delivery locations on the production line in the report.
- 2** Not included. Do not include delivery locations on the production line in the report.
- 3** Only. Include only delivery locations on the production line in the report.

Contents	Index	Exit
--------------------------	-----------------------	----------------------

Option 5. Locations and Contents (AMIM23)

Use this option when you need a report listing the contents of locations in a given warehouse or all warehouses.

What information you need:

- The range of location numbers, if you do not want to see all locations
- The warehouse code, if you want to see locations from only one warehouse.

What reports are printed: Locations and Contents (AMIWH).

What forms you need: None.

The basic steps to print a Locations and Contents report follow each display.

| AMIX71—Locations and Contents

Use this display to type in a location range and warehouse code for the Locations and Contents report (AMIWH).

This display appears when you select option 5 on the File Listings menu (AMIM23).

```
DATE **/**/**          LOCATIONS AND CONTENTS          SELECT  AMIX71  **

LOCATION FROM aaaaaA7 TO aaaaaA7
WAREHOUSE aA3

LINE LOCATIONS n
                1 INCLUDED
                2 NOT INCLUDED
                3 ONLY

F24 CANCEL JOB
```

What to do

To print the report, type in the location range and warehouse code and press **Enter**. The Locations and Contents report is scheduled to print and the File Listings menu (AMIM23) appears again.

Function keys

F24 CANCEL JOB causes no report to be scheduled for printing, and the File Listings menu (AMIM23) to appear again.

Fields

LOCATION FROM/TO. Type in the range of locations (as stored in the Location Detail file) to be used in the report.

If the **TO** field is blank, all values starting with the **FROM** location to the last location in the file are used on the report. If the **FROM** field is blank, all values starting with the first location in the file up to and including the **TO** location are used on the report. If both fields are blank, all values are used on the report.

Only locations that are not reserved as QC locations or WIP areas can be entered.

Contents	Index	Exit
--------------------------	-----------------------	----------------------

WAREHOUSE. If you have multiple warehouses defined in the Warehouse Master file, type in the code of the warehouse to be used on the report. If you have multiple warehouses and you leave this field blank, all warehouses are shown on the report.

If you have only one warehouse, the warehouse defined in the Warehouse Master file appears in this field and cannot be changed.

LINE LOCATIONS. This field appears only if REP is installed and interfacing.

- 1** Included. Include delivery locations on the production line in the report.
- 2** Not included. Do not include delivery locations on the production line in the report.
- 3** Only. Include only delivery locations on the production line in the report.

Contents	Index	Exit
--------------------------	-----------------------	----------------------

Option 6. Contents of Quality Control Areas (AMIM23)

Use this option when you need a report listing the contents of one or all quality control areas in a given warehouse or all warehouses.

What information you need:

- The QC area number, if you want to see contents from only one area
- The warehouse code, if you want to see QC areas from only one warehouse.

What reports are printed: Contents of QC Area (AMIWG).

What forms you need: None.

The basic steps to print a Contents of QC Area report follow each display.

AMIX41—Contents of Quality Control Areas (Select)

Use this display to type in a quality control number and warehouse code for the Contents of Quality Control Area report (AMIWG).

This display appears when you select option 6 on the File Listings menu (AMIM23).

```
DATE **/**/**      CONTENTS OF QUALITY CONTROL AREAS      SELECT      AMIX41 **  
  
QC AREA          nn  
WAREHOUSE        aA3  
  
F24 CANCEL JOB
```

What to do

To print the report, type in the quality control number and warehouse code, if needed, and press **Enter**. The Contents of Quality Control Area report is scheduled to print and the File Listings menu (AMIM23) appears again.

Function keys

F24 CANCEL JOB causes no report to be scheduled for printing, and the File Listings menu (AMIM23) to appear again.

Fields

QC AREA (Quality Control Area). Type in the number 01 through 99 of the quality control area to be used on the report. If this field is blank, all Quality Control areas are used on the report.

WAREHOUSE. If you have multiple warehouses defined in the Warehouse Master file, type in the code of the warehouse to be used on the report. If you have multiple warehouses and you leave this field blank, all warehouses are shown on the report.

If you have only one warehouse, the warehouse defined in the Warehouse Master file appears in this field and cannot be changed.

Contents	Index	Exit
--------------------------	-----------------------	----------------------

Option 7. Contents of Bulk Store Areas (AMIM23)

Use this option when you need a report listing the contents of one or all bulk store areas in a given warehouse or all warehouses.

What information you need:

- The bulk store area number, if you want to see contents from only one area
- The warehouse code, if you want to see bulk store areas from only one warehouse.

What reports are printed: Contents of Bulk Store (AMIWE).

What forms you need: None.

The basic steps to print a Contents of Bulk Store report follow each display.

AMIX41—Contents of Bulk Store Areas (Select)

Use this display to type in the bulk store area and warehouse code for the Contents of Bulk Store Areas report (AMIWE).

This display appears when you select option 7 on the File Listings menu (AMIM23).

```
DATE **/**/**      CONTENTS OF BULK STORE AREAS      SELECT      AMIX41  **  
  
      BULK STORE AREA nn  
      WAREHOUSE      aA3  
  
F24 CANCEL JOB
```

What to do

To print the report, type in the bulk store area and warehouse code, if needed, and press **Enter**. The Contents of Bulk Store Areas report is scheduled to print and the File Listings menu (AMIM23) appears again.

Function keys

F24 CANCEL JOB causes no report to be scheduled for printing, and the File Listings menu (AMIM23) to appear again.

Fields

All of the fields on this display are optional.

BULK STORE AREA. Type in the number 01 through 99 of the bulk store area to be used on the report. If this field is blank, all Bulk Store areas are used on the report.

WAREHOUSE. If you have multiple warehouses defined in the Warehouse Master file, type in the code of the warehouse to be used on the report. If you have multiple warehouses and you leave this field blank, all warehouses are shown on the report.

If you have only one warehouse, the warehouse defined in the Warehouse Master file appears in this field and cannot be changed.

Contents	Index	Exit
--------------------------	-----------------------	----------------------

Option 8. Miscellaneous Item Stock (AMIM23)

Use this option when you need a report listing miscellaneous item stock in a given warehouse or all warehouses.

What information you need:

- The range of item numbers, if you do not want to see all items
- The warehouse code, if you want to see items from only one warehouse.

What reports are printed: Miscellaneous Item Stock List (AMINE).

What forms you need: None.

The basic steps to print a Miscellaneous Item Stock List report follow each display.

[Contents](#)[Index](#)[Exit](#)

AMIX31—Miscellaneous Item Stock (Select)

Use this display to type the item number range and warehouse code for the Miscellaneous Item Stock List (AMINE).

This display appears when you select option 8 on the File Listings menu (AMIM23).

```

DATE **/**/**          MISCELLANEOUS ITEM STOCK          SELECT          AMIX31  **

ITEM FROM aaaaaaaaaaA15  TO aaaaaaaaaaA15

WAREHOUSE aA3

F24 CANCEL JOB
  
```

What to do

To print the report, type in the item number range and warehouse code and press **Enter**. The Miscellaneous Item Stock List is scheduled to print and the File Listings menu (AMIM23) appears again.

Function keys

F24 CANCEL JOB causes no report to be scheduled for printing, and the File Listings menu (AMIM23) to appear again.

Fields

All of the fields on this display are optional.

ITEM FROM/TO. Type in the range of item numbers to appear on the report.

If the **TO** field is blank, all items starting with the **FROM** item number to the last item number in the file are used on the report. If the **FROM** field is blank, all items starting with the first item number in the file up to and including the **TO** item number are used on the report. If both fields are blank, all items are used on the report.

WAREHOUSE. If you have multiple warehouses defined in the Warehouse Master file, type in the code of the warehouse to be used on the report. If you have multiple warehouses and you leave this field blank, all warehouses are shown on the report.

Contents	Index	Exit
--------------------------	-----------------------	----------------------

If you have only one warehouse, the warehouse defined in the Warehouse Master file appears in this field and cannot be changed.

[Contents](#)[Index](#)[Exit](#)

Option 9. Goods Received Notes (AMIM23)

Use this option when you need a report that lists goods received notes entered since the last report was printed or goods received notes entered between two dates.

Note: If you are using the **GRN** field in conjunction with IFM's invoice to receipt matching function, you should not use this option. IFM does not update this file.

What information you need: For option 2 (Between Two Dates) on the Goods Received Notes (Select) display, you need the date range you want used on the report.

What reports are printed: One of the following reports is printed depending on the option you select on the Goods Received Notes (Select) display (AMIGD1):

- Goods Received Notes since Last Report (AMIGF1)
- Goods Received between Two Dates (AMIGF).

What forms you need: None.

The basic steps to print a goods received report follow each display.

[Contents](#)[Index](#)[Exit](#)

AMIGD1—Goods Received Notes (Select)

Use this display to select the type of Goods Received Notes report to be printed.

This display appears when you select option 9 on the File Listings menu (AMIM23). You can select this option only if the Goods Received Notes system is active.

```

DATE **/**/**          GOODS RECEIVED NOTES          SELECT  AMIGD1  **

OPTION  n

      1  SINCE LAST REPORT
      2  BETWEEN TWO DATES

DATES FROM nnnnnn TO nnnnnn

F24 CANCEL JOB

```

What to do

To print the report, select the type of report you want, type in the date range, if needed, and press **Enter**. The Goods Received Notes report is scheduled to print and the File Listings menu (AMIM23) appears again.

Function keys

F24 CANCEL JOB causes no report to be scheduled for printing, and the File Listings menu (AMIM23) to appear again.

Fields

OPTION. Required. Type in one of the following codes:

- 1 Since Last Report. Select this option to print a report of all Goods Received Notes added since the last time this option was selected. The Goods Received Notes since Last Report (AMIGF1) is selected.
- 2 Between two dates. Select this option to print a report of all Goods Received Notes added between two dates. The Goods Received Notes between Two Dates report (AMIGF2) is selected.

DATES FROM/TO. Type in the beginning and ending dates to be used on the report. This field is required if you selected option 2, Between Two Dates.

Contents	Index	Exit
--------------------------	-----------------------	----------------------

If the **TO** field is blank, all dates starting with the **FROM** date to the last date in the file are used on the report. If the **FROM** field is blank, all dates starting with the first date in the file up to and including the **TO** date are used on the report. If both fields are blank, all dates are used in the report.

Contents	Index	Exit
--------------------------	-----------------------	----------------------

Chapter 5. Transaction Processing

If you select option 3 from the Main Menu, the Transaction Processing menu (AMIM30) appears. This menu has 8 options that allow you enter and print inventory transactions and post them to the master files. It also has an option to allow you to work with advance shipping notices received from vendors using Electronic Commerce (EC).

Option 1. Entry (AMIM30).....	5-10
Option 2. Entry from Offline Files (AMIM30).....	5-256
Option 3. Transaction Register (AMIM30).....	5-259
Option 4. Quality Control Transactions (AMIM30).....	5-263
Option 5. Discrete Allocation Worksheet Generation (AMIM30).....	5-281
Option 6. Discrete Allocation (AMIM30).....	5-284
Option 7. Miscellaneous Item Transactions (AMIM30).....	5-298
Option 8. Invoices to Goods Received Notes (AMIM30).....	5-302
Option 9. Advance Shipping Notices (AMIM30).....	5-306

```

AMIM30                                Inventory Management                *****
                                Transaction Processing

Type option or command; press Enter.

1. Entry
2. Entry from Offline Files
3. Transaction Register
4. Quality Control Transactions
5. Discrete Allocation Worksheet Generation
6. Discrete Allocation
7. Miscellaneous Item Transactions
8. Invoices to Goods Received Notes
9. Advance Shipping Notices

F3=Exit      F4=Prompt   F9=Retrieve   F10=Actions
F11=Job status  F12=Return  F22=Messages
  
```

Option 1. Entry. Use this option to enter inventory transactions at a work station.

Option 2. Entry from Offline Files. Use this option to load inventory transactions entered offline. If you typed Y in the **ERRORS ONLY LISTING** field on the Copy Offline File (Options) display (AXVOL1), only errors are printed on the Inventory Transaction Edit List (AMI3B). If you typed N, all transactions are printed. There are two types of Offline transaction files:

- Long format transaction file (OFFTRN - 300 characters)
- Short format transaction file (INVENT - 128 characters).

If your system is using the short format, you must key **INVENT** into the Offline file name field on the AXVOL1 display. If any name other than INVENT was keyed in the file name field, the system will treat it as the long format (OFFTRN) diskette type.

For additional information about the file layout of the two diskette types, see Appendix A, "Offline file load and data entry".

Note: Before you select option 2, the system operator must have the Inventory Transaction Entry Offline file you want to process.

Option 3. Transaction Register. Use this option to print the Inventory Transaction Register report (AMV3G) and update the master files with any completed batch of transactions.

Option 4. Quality Control Transactions. Use this option to enter quality control transactions.

Option 5. Discrete Allocation Worksheet Generation. Use this option to generate the discrete allocation function and print the Discrete Allocation Worksheet by Item report(s), which are used to determine if enough approved material is available to allocate to an order.

Option 6. Discrete Allocation. Use this option to make discrete allocations from specified batches or lots for manufacturing orders. This option should be selected only after selecting option 5 from this menu.

Option 7. Miscellaneous Item Transactions. Use this option to enter miscellaneous item transactions.

Option 8. Invoices to Goods Received Notes. Use this option to change invoice numbers on goods received notes (GRNs), delete GRNs, or reactivate previously deleted GRNs. This option can be selected only if the GRN system is active.

Option 9. Advance Shipping Notices. Use this option to work with advance shipping notices (ASN) that you receive from your vendor using Electronic Commerce (EC). In EC, this transaction is the 856 (DESADV) receive transaction.

This option allows you to display or print the ASNs to see a list of all the items on the shipment. You also use this option to initiate the send of an 861 (IFTMAN) receiving advice transaction. You can acknowledge the shipment with either an initial receipt transaction or a verified receipt transaction.

Application tailoring options

Certain options you choose during application tailoring affect how transactions are processed. Key options are:

- Immediate update for work station transactions
- Batch update for work station transactions
- Delete transactions before saving the files (making another copy)
- Hold transactions before saving the files (making another copy).

Immediate update

If the immediate update option is chosen during application tailoring, the master files reflect the transaction data as soon as it is accepted. To determine which updates have been made, the transactions are saved in a batch transaction file. This file can be paged through to see those transactions that have been used to update the master files. If a transaction that is not valid has been entered, a correction (using a reversal code) can be made to reverse the update. After an Inventory Transaction Register is printed, this reversal method of correction cannot be used. You might consider using batch update initially and, as you gain familiarity with the system, changing to immediate update.

The letter I appears in the last position of the identifier of displays used for immediate update.

Note: Only certain transactions allow entry of a correction with a reversal code. For transaction types that do not allow the use of a reversal code, you must enter a transaction that would have the same effect as a reversal. (See "Backing out entries".)

Batch update

If the batch updating option is chosen during application tailoring, the master files are not updated until the Inventory Transaction Register is printed. To correct a transaction, you can page through the batch until the erroneous transaction is found and then change or delete it.

The letter B appears in the last position of the identifier of displays used for batch update.

Delete transaction batches

If you specify during application tailoring that transaction batches are to be reused, those batches that are complete when the Inventory Transaction Register is printed are deleted. Should the master files require restoring, however, those transactions would have to be reentered and reprocessed. Unless you are using offline entry and have retained your offline files, those transactions would have to be reentered at a work station.

Reuse transaction batches

If you specify that transaction batches are not to be reused, any batches of transactions are retained when the Inventory Transaction Register is printed. Under this condition, the only way to free up the space is to save all files. However, if the

master files should require restoring, you would not have to reenter those transactions processed since the last save. The information is still available in the retained batches.

Note: If you elect to (1) use immediate update and (2) not delete transaction batches, and it becomes necessary to restore your files, the restored transaction batch or batches would subsequently be processed in batch update mode. If multiple batches are involved, the transactions would not necessarily be processed in the same sequence as they previously were. This can result in the average and last costs being calculated differently than in the previous run.

Transaction types

You can enter many types of inventory transactions to keep inventory records current. Transaction types are described in more detail later in this chapter by transaction display identification number. Refer to Appendix E, "Transaction update tables" to see the fields within records that are updated by each transaction.

Note: You can enter transactions from the Transaction Processing menu (AMIM30), options 1 and 2.

The transaction types are grouped as follows:

- Issue transactions
 - Planned Manufacturing Issue (IP). Used to report individual component issues to manufacturing orders.
 - Miscellaneous Issue (IS). Used to report issues that are not charged to customer or manufacturing orders.
 - Unplanned Component Issue (IU). Used to add a component to a manufacturing order and create an issue transaction.
 - Interwarehouse Issue (IW). Used to report issues to another warehouse.
 - Pick Complete by Item (PB). Used to report the pick completion of an item (bulk pick).
 - Pick Complete by Order (PC). Used to report that some or all components of an order have been picked.
- Receipt transactions
 - Miscellaneous Receipt (RC). Used to report receipts for items that do not have open orders.
 - Purchase Receipt to Dock (RD). Used to report receipt of purchased items at the dock.
 - Purchase Receipt to Inspection (RI). Used to report movement of a purchased item from the dock to inspection.
 - Production Receipt (RM). Used to report an item receipt from production.
 - Purchase Receipt to Stock (RP). Used to report receipt of purchased items to stock when quality control is not active.
 - Interwarehouse Receipt (RW). Used to report receipts from other warehouses.
- Cost transactions
 - Cost Adjustment (CA). Used to recalculate the average unit cost and to replace the last unit cost of an item.
 - Average Cost Replace (CR). Used to change the average cost of an item.
 - Standard Cost Replace (CS). Used to change the standard unit cost of an item.
- Scrap transactions
 - Manufacturing Component Scrap (SC). Used to report component items that have been scrapped on a manufacturing order.
 - Manufacturing Order Scrap (SM). Used to report the scrapping of partially completed end items.

- Purchase Order Scrap (SP). Used to report items that have been scrapped on a purchase order.
- Scrap From Stock (SS). Used to report items that have been scrapped from stock.
- Miscellaneous transactions
 - Inventory Adjustment (IA). Used to adjust the on hand balance of an item.
 - Component Return to Stock (RS). Used to report the return of a previously issued component item to stock.
 - Sales Shipment (SA). Used to report sales shipments when COM is not interfacing or is not passing information to IM.
 - Interwarehouse Transfer (TW). Used to complete both the issue and receipt of an interwarehouse transfer.
- Miscellaneous item transactions
 - Miscellaneous Item Receipt (MR). Used to report movement of miscellaneous items into a location.
 - Miscellaneous Item Issue (MI). Used to report movement of miscellaneous items out of a location.
- Purchasing transactions. UR, VA, and VR transactions are available only if Purchasing (PUR) is installed and interfacing.
 - Purchase Order Update Routings (UR).
 - Purchase Order Vendor Acceptance (VA). Used by PUR to report that the vendor has accepted the terms of a purchase order.
 - Purchase Return to Vendor (VR). Used by PUR to report stock returned to the vendor.
- Quality control inspection transactions. You can enter quality control transactions from the Transaction Processing menu (AMIM30), option 4.
- Manufactured Item QC Complete (MQ). Used to report that quality control inspection has been completed for manufactured items.
 - QC Item Rejected (RQ). Used to report that quality control inspection has been completed for rejected items.
 - Cyclic Item QC Complete (CQ). Used to report that quality control inspection has been completed for cyclic items.
 - Purchased Item QC Complete (PQ). Used to report that quality control inspection has been completed for purchased items.

Note: A PQ transaction for items in a controlled warehouse performs all the necessary updates that an RP transaction normally performs for items in an uncontrolled warehouse. An RP transaction cannot be processed against an item that has inspection-on-receipt controls.

In addition to the transactions listed above, which you specifically request to report activity, two displays may appear in certain situations:

- Dispatch Materials Inquiry. Used to see where shortages exist in manufacturing and customer orders when receipt transactions are being processed.
- Controlled Floor Stock Component Issue. Used to verify the consumption of controlled floor stock components and process the issues. This display appears for issue completion when a Production Receipt or Manufacturing Order Scrap

transaction is processed for a parent item with controlled floor stock components.

How to use transaction processing

Determine if the transactions are to be entered at a work station or offline. Establish batch control totals. After you type in the data and the batch control totals have been reconciled, ask for a print of the Inventory Transaction Register. Finally, verify that the Inventory Transaction Register reflects the proper updates and reconcile batch control totals. See Chapter 16, "Accounting controls and audits" for information about accounting controls.

Transaction processing with the Maintenance Management System

If IM is integrated with the Maintenance Management System (MMS), you enter the purchase receipts for MRO items using IM's transaction processing (even though the actual MRO inventory information is kept in MMS). This allows the receipt to be tied to the purchase order. After IM processes the transaction, it sends it to MMS to update the MRO inventory. Once MMS gets the transaction, it updates the MRO item's balance and determines the required general ledger entries. MMS derives the account numbers and calculates the charge, offset, and variance amounts. It then sends a ledger transaction back to IM. This ledger transaction is processed later by the general ledger interface in IM.

IM's integration with MMS affects the following purchasing receiving transactions:

RD	Receipt to dock
RI	Receipt to inspection
RP	Receipt to stock
SP	Purchase order scrap
VA	Vendor accept
VR	Vendor return

These transactions now support MRO items in addition to production items. Whether or not the item is an MRO item is determined from the purchase order. All six transactions update the purchase order as they do for production items. Quality control transactions are not supported because MRO items in MMS are not subject to quality control.

If the receipt is for an MRO item, the transaction does its normal updates to the purchase order; however, the RD, RI, and VA transactions do not update IM's inventory. Only the RP, SP, and VR transactions call the interface process to send the transaction to MMS because these are the only transactions that update the item's inventory balance.

IM immediately sends the transaction to MMS to process its inventory. Then MMS sends back inventory information, such as previous and new on-hand, on-order, and unit cost information. These fields are included with the transaction when it is written to IM transaction history. The work order, task, and cost code associated with the item are also written to history. These fields are retrieved from the purchase order, if they exist. When MMS returns the inventory information for the receipt for the RP, SP, and VR transactions, it also sends the ledger transactions for general ledger.

Since MRO items are only stored in an uncontrolled warehouse, the location information on the transaction is not used. MRO items flow through the normal logic for uncontrolled warehouses.

The Transaction Register identifies any MRO items and shows the MRO-related fields.

Option 1. Entry (AMIM30)

Use this option when you need to add a new inventory transaction to a batch or to look at, change, or delete an inventory transaction already in the batch. You can also close previously loaded offline inventory transaction batches.

Entry through the work station consists of typing in up to four transactions of the same type at a time. If alphanumeric fields in the transactions are identical, you can use the DUP (duplicate) key to reduce typing effort and increase accuracy.

Each transaction is edited as it is entered. Required fields must be entered before the transaction is accepted. If you cannot correct the error immediately, you can use F17 to accept the transaction with errors. If the error is not corrected before the Inventory Transaction Register is printed, the transaction prints on an error list so that you can correct the errors and enter the transactions again.

Correcting the error is done in one of two ways:

- For batch update, retype the error field(s) in review mode and press **Enter**.
- For immediate update, change the Reversal Code from A to R in review mode and type in the transaction again in enter mode. (If the reversal code is E, it is not possible or necessary to reverse the transaction, as no updating has occurred. Just type in the transaction again in enter mode.)

Immediate (online) update applies the transactions entered at the work station to the master files as soon as the transaction is accepted. This means that in review mode, the transaction cannot be modified except to reverse it and back it out. However, transactions entered offline are processed in batch mode regardless of the type of updating specified during application tailoring. This means that these transactions can be changed during review mode.

When in review mode, you can use the function keys to page forward, page backward, or return to the entry display. You can also use F24 to display the status of the batch. Display AMI3D29 is used to display the batch status. Suspended or closed batches can be reopened to review transactions or enter additional transactions. When the Inventory Transaction Register is run, the batch status of CLOSED is changed to UPDATE at the beginning of this procedure. If, during application tailoring, you selected not to reuse the file space immediately (REUSE = NO), the batch status is changed to FINISHED at the end of the procedure. If REUSE = YES, the batch is deleted; no status is shown on the display.

Offline batches must be closed from a work station, since they are given the suspended status at the time they are created.

Note: After entering transactions, be sure to print the Inventory Transaction Register. If you are using batch update, this process posts inventory transactions to the master files.

What information you need: None.

What reports are printed: Inventory Transaction Batch Control Update (AMI3X).

What forms you need: None.

The basic steps to enter transactions follow each display.

AMI3Z1—Inventory Transaction, Data Entry Control

Use this display to select either a new batch or a batch whose status is active, closed, or suspended.

This display appears after you select option 1 on the IM Transaction Processing menu (AMIM30) or option 7 on the REP Material Management menu (AMQM30).

```

DATE **/**/**          INVENTORY TRANSACTION          AMI3Z1 **
                        DATA ENTRY CONTROL

ENTER BATCH NUMBER nnn          BATCHES CURRENTLY IN USE ***
BATCH *--ORIGINAL--* *---LAST---*          LOCATE BATCH nnn
NO.   WSID   OPID   WSID   OPID   STATUS   DATE   USED   ERRORS
***   *****   ***   *****   ***   *****   **/**   *****   *****
***   *****   ***   *****   ***   *****   **/**   *****   *****
***   *****   ***   *****   ***   *****   **/**   *****   *****
***   *****   ***   *****   ***   *****   **/**   *****   *****
***   *****   ***   *****   ***   *****   **/**   *****   *****
***   *****   ***   *****   ***   *****   **/**   *****   *****
***   *****   ***   *****   ***   *****   **/**   *****   *****
***   *****   ***   *****   ***   *****   **/**   *****   *****
***   *****   ***   *****   ***   *****   **/**   *****   *****
***   *****   ***   *****   ***   *****   **/**   *****   *****
***   *****   ***   *****   ***   *****   **/**   *****   *****
***   *****   ***   *****   ***   *****   **/**   *****   *****
***   *****   ***   *****   ***   *****   **/**   *****   *****
***   *****   ***   *****   ***   *****   **/**   *****   *****
***   *****   ***   *****   ***   *****   **/**   *****   *****

USE ROLL UP/DOWN
F04 NEW BATCH
F24 CANCEL THE JOB

```

What to do

- To start a new batch, use **F04**. Go to display AMI3D01.
- To use an existing batch on the display, type the number of the batch in the **ENTER BATCH NUMBER** field, press **Field Exit**, then press **Enter**.
- If the batch contains active records, go to display AMI3D01. If the batch does not contain active records, go to display AMI3D31R.
- To locate an existing batch not on this display, type the number of the batch in the **LOCATE BATCH** field, press **Field Exit**, then press **Enter**. The batch you selected appears at the top of the list of batches on the display.

Function keys

F04 NEW BATCH starts a new batch and the Inventory Transaction – Transaction Selection (Select) display (AMI3D01) appears.

F24 CANCEL THE JOB ignores the data you entered on this display and causes the menu to appear again.

Fields

BATCHES CURRENTLY IN USE. The number of batches in process regardless of status.

ENTER BATCH NUMBER. Required. Type in the number of a specific batch to review or change. After the batch number is typed in, you are attached to that batch. The next display is from the first record in that batch.

LOCATE BATCH. Optional. Use this field to search for a specific batch with which you want to work. To quickly see the data entry control information for a batch, type in the batch number in this field. This display appears again with the requested batch on the first line of the list of batches.

BATCH NO. The sequential number assigned by the application to identify the batch.

ORIGINAL.

WSID (Original work station identification). The work station where transactions for the batch were originally entered. For offline batches, asterisks appear.

OPID (Original operator identification). The ID of the operator who entered the batch. The operator ID appears only if security is activated. For offline batches, asterisks appear.

LAST.

WSID (Last work station identification). The work station where the batch was last selected. For offline batches, asterisks appear.

OPID (Last operator identification). The ID of the operator who last selected the batch. The operator ID appears only if security is activated. For offline batches, asterisks appear.

STATUS. The batch status is one of the following codes:

ACTIVE	The batch is being used by another work station or is incomplete because of some abnormal condition. An active online batch can be selected only from the work station that last selected that batch. An active offline batch can be selected from any work station, if the batch is not being acted on by a program.
SUSPND	The system operator has selected F23 on the Inventory Transaction – Batch Status display (AMI3D29) to suspend the batch. More transactions can be entered in the batch. A suspended batch can be selected from any work station.
CLOSED	The system operator has selected F24 on the Inventory Transaction – Batch Status display (AMI3D29) to close the batch. The application can now use the batch to print the Inventory Transaction Register (AMV3G) and, in a batch update mode, to update the master files.
UPDATE	The application has selected the batch for updating the master files.
FINISH	The batch has been applied to the master files, but the transactions remain in the batch until the files are saved.

DATE. The creation date or date of last activity for the batch.

RECORDS USED. The number of transaction records in the batch.

Contents	Index	Exit
--------------------------	-----------------------	----------------------

RECORDS ERRORS. The number of transaction records errors that the application has detected.

AMI3D01—Inventory Transaction, Transaction Selection (Select)

Use this display to select the type of inventory transactions to be entered in the batch and to specify default options for the batch.

This display appears when you enter an empty batch number or a new batch on display AMI3Z1.

```

DATE **/**/**          INVENTORY TRANSACTION          SELECT  AMI3D01  **
                        TRANSACTION SELECTION

TRANSACTION DATE      nnnnnn
SHORTAGE CHECKING <Y/N>  A

SELECT ONE OF THE FOLLOWING: A2
1 (CA) Cost adjustment      14 (RM) Production receipt
2 (CR) Avg cost replacement  15 (RP) P.O. receipt to stock
3 (CS) Std cost replacement  16 (RS) Component return to stock
4 (IA) Inventory adjustment  17 (RW) Interwarehouse receipt
5 (IP) Planned mfg issue     18 (SA) Sales shipment
6 (IS) Miscellaneous issue   19 (SC) Mfg component scrap
7 (IU) Unplanned component issue  20 (SM) Mfg order scrap
8 (IW) Interwarehouse issue  21 (SP) Purchase order scrap
9 (PB) Pick complete by item  22 (SS) Scrap from stock
10 (PC) Pick complete by order  23 (TW) Interwarehouse transfer
11 (RC) Miscellaneous receipt  24 (UR) P.O. update routings
12 (RD) P.O. receipt to dock  25 (VA) Vendor accept
13 (RI) P.O. receipt to inspection  26 (VR) Return to Vendor

                                F09 REVIEW ALL
                                F24 DISPLAY STATUS
    
```

What to do

- To enter an inventory transaction, type **Y** or **N** in the **SHORTAGE CHECKING** field and either the number or the two-letter code for the type of transaction in the **SELECT** field and press **Enter**. One of the following displays appears:

Selection	Display	Notes
1 or CA	AMI3D02E	
2 or CR	AMI3D03E	
3 or CS	AMI3D04E	
4 or IA	AMI3D05E	
5 or IP	AMI3D06E	If mfg. order tracking supported
6 or IS	AMI3D07E	
7 or IU	AMI3D08E	If mfg. order tracking supported
8 or IW	AMI3D10E	
9 or PB	AMI3D11E	If mfg. order tracking supported
10 or PC	AMI3D13E	If mfg. order tracking supported
11 or RC	AMI3D15E	
12 or RD	AMI3D16E	If P.O. tracking supported and Purchasing not interfacing
12 or RD	AMI3D34E	If P.O. tracking supported and Purchasing is interfacing
13 or RI	AMI3D17E	If P.O. tracking supported and Purchasing not interfacing

Contents	Index	Exit
-----------------	--------------	-------------

Selection	Display	Notes
13 or RI	AMI3D35E	If P.O. tracking supported and Purchasing is interfacing.
14 or RM	AMI3D18E	If mfg. order tracking supported
15 or RP	AMI3D19E	If P.O. tracking supported, Purchasing not interfacing, and item does not require inspection on receipt
15 or RP	AMI3D36E	If P.O. tracking supported, Purchasing is interfacing, and item does not require inspection on receipt
16 or RS	AMI3D20E	If mfg. order tracking supported
17 or RW	AMI3D21E	
18 or SA	AMI3D22E	
19 or SC	AMI3D23E	If mfg. order tracking supported
20 or SM	AMI3D24E	If mfg. order tracking supported and PC&C not interfacing
21 or SP	AMI3D25E	If P.O. tracking supported
22 or SS	AMI3D26E	
23 or TW	AMI3D09E	If multiple warehouses supported
24 or UR	AMI3D33E	If Purchasing is interfacing
25 or VA	AMI3D37E	If Purchasing is interfacing
26 or VR	AMI3D38E	If Purchasing is interfacing

Note: IP, IU, PB, RM, RS, and SC transactions are valid only when manufacturing order tracking is supported. SM transactions are valid only when manufacturing order tracking is supported and PC&C is not interfacing. SP transactions are valid only when purchase order tracking is supported. TW transactions are valid only when multiple warehouses are supported.

- To review inventory transactions already in the batch, use **F09**. Display AMI3D31R appears.

Function keys

F09 REVIEW ALL causes the Inventory Transaction – Summary Review (Review) display (AMI3D31R) to appear, so you can review a summary of the last 12 transactions in the batch.

F24 DISPLAY STATUS causes the Batch Status display (AMI3D29) to appear, so you can review batch status, or close, suspend, or delete the batch.

Fields

TRANSACTION DATE. Type in the date to be used as the default transaction date for the transactions you are entering. If this field is blank, the system date is used as the default. You can change the default for an individual transaction by typing in a different date on the transaction display.

SHORTAGE CHECKING <Y/N>. Required. Type in **Y** (yes) to review manufacturing and customer order shortages when entering receipt transactions. Type in **N** (no) if you do not want to review shortages.

SELECT ONE OF THE FOLLOWING. Required. Type in either the option number (1 through 26) or the transaction code (CA through VR) for the transaction type. The

Contents	Index	Exit
--------------------------	-----------------------	----------------------

valid options and codes appear on the display. Option numbers 24 through 26 (UR through VR) appear only if IM and Purchasing are interfacing.

Note: Depending on the security controls established by your company, you may not have access to all transaction types. Should you select a transaction type for which you are not authorized, the application will issue a message.

AMI3D02E—Inventory Transaction—Cost Adjustment (CA) (Enter)

Use this display to recalculate the average unit cost and to replace the last unit cost of an item. Either the quantity and transaction amount can be entered, updating the average and last cost, or the cost replace amount alone can be entered, updating the last cost.

This display appears when you select option 1 or transaction code CA on display AMI3D01.

You can perform up to four Cost Adjustment transactions on this display. A history area at the top of the display shows you the last valid Cost Adjustment transaction in the batch.

DATE **/**/**	INVENTORY TRANSACTION COST ADJUSTMENT (CA)				ENTER	AMI3D02E **	
ORDER	ITEM NUMBER	WHSE	QUANTITY	U/M	TRN AMT	VENDOR	
aaaaA6	aaaaaaaaaaaaA15	aA3	nnnnnnn.nnnn	aA3	nnnnnnnnnnn.nnnn	aaaaA6	
REFERENCE	REASON	DATE	COST RPL AMT				
aaaaaaaA10	aaaaaA7	nnnnnn	nnnnnnnnnnn.nnnn				

aaaaaA7	aaaaaaaaaaaaA15	aA3	nnnnnnn.nnn	A2	nnnnnnnnnnn.nnnn	aaaaA6	
aaaaaaaA10	aaaaA6	nnnnnn	nnnnnnnnnnn.nnnn				
aaaaaA7	aaaaaaaaaaaaA15	aA3	nnnnnnn.nnn	A2	nnnnnnnnnnn.nnnn	aaaaA6	
aaaaaaaA10	aaaaA6	nnnnnn	nnnnnnnnnnn.nnnn				
aaaaaA7	aaaaaaaaaaaaA15	aA3	nnnnnnn.nnn	A2	nnnnnnnnnnn.nnnn	aaaaA6	
aaaaaaaA10	aaaaA6	nnnnnn	nnnnnnnnnnn.nnnn				
					F09 REVIEW ALL		
					F10 RETURN TO SELECT		

What to do

To enter transactions, type in the information for up to four transactions and press **Enter**.

- If one or more error messages appear, the transactions cannot be processed. You must change them, or use **F17** to accept them with error.
- If only information or warning messages appear, press **Enter** again to process the transactions shown. If the transactions are not correct, you must change them before pressing **Enter** again.
- If there are no errors, the transactions shown are processed and display AMI3D02E appears again so you can enter additional transactions.

Function keys

F09 REVIEW ALL causes the Inventory Transaction – Summary Review display (AMI3D31R) to appear, so you can review a summary of the last 12 transactions in the batch.

F10 RETURN TO SELECT causes the Inventory Transaction – Transaction Selection (Select) display (AMI3D01) to appear again so you can select another transaction type.

Fields

[?] appears next to a field name in the following field definitions to identify a field from which you can begin a master file search.

There are four transactions, and each of the following fields appears once for each of those transactions. You can duplicate any of the alphanumeric fields from the history area in the corresponding fields below the line by putting the cursor in the field, and then pressing the **DUP** key.

ORDER (Order Number). Type in the number of the purchase or manufacturing order associated with this Cost Adjustment transaction.

ITEM NUMBER [?]. Type in the number of the item whose cost is being adjusted. This field is required.

WHSE (Warehouse Code). If you have only one warehouse, this field does not appear. If you have multiple warehouses defined in the Warehouse Master file, type the code of the warehouse where this item is stored.

QUANTITY. Type the quantity of the item involved in this transaction. This quantity is used to calculate the new average cost. If you enter a quantity, you must also enter a transaction amount (TRN AMT) and leave the cost replacement amount (**COST RPL AMT**) field blank. If you do not enter a quantity, you must enter the cost replacement amount.

U/M (Unit of Measure). If the **QUANTITY** field value is expressed in purchase units, type in the purchase unit of measure. If the **QUANTITY** field value is expressed in stocking units, type in the stocking unit of measure or leave this field blank. If you leave the U/M field blank, the stocking unit of measure in the Item Master file is used.

TRN AMT (Transaction Amount). The amount of this Cost Adjustment transaction. If you type in **TRN AMT**, you must also type in **QUANTITY** and leave **COST RPL AMT** blank.

VENDOR. The number of the vendor supplying this item, if you want the number to be printed on the Inventory Transaction Register report (AMV3G).

REFERENCE. Type in a user-defined value used for reference purposes only. It is printed on the Inventory Transaction Register report (AMV3G).

REASON. Type in a code that explains the reason for this transaction. This code is assigned by your company.

DATE. Type in the date of this transaction. If you leave this field blank, the transaction date entered on display AMI3D01 is used.

COST RPL AMT. The amount that is to replace the last unit cost. If you type in **COST RPL AMT**, you must leave **QUANTITY** and **TRN AMT** blank.

[Contents](#)[Index](#)[Exit](#)

AMI3D02B—Inventory Transaction—Cost Adjustment (CA) (Review)

Use this display to change previously added Cost Adjustment transactions that were added to the transaction file in batch update mode. This display appears only if batch update was selected during application tailoring.

This display appears after selecting **F05 CHANGE**, while reviewing a Cost Adjustment transaction on either the Inventory Transaction – Summary Review (Review) display (AMI3D31R), or the Inventory Transaction – Detail Review (Review) display (AMI3D32R).

This display also appears when you select **F02 PAGE FORWARD** or **F03 PAGE BACKWARD** on display AMI3D02B, and the previous or next transaction is also a Cost Adjustment transaction.

```

DATE **/**/**          INVENTORY TRANSACTION          REVIEW   AMI3D02B **
                        COST ADJUSTMENT (CA)
ORDER  ITEM NUMBER    WHSE   QUANTITY  U/M      TRN AMT  VENDOR
aaaaaA7  aaaaaaaaaaaaA15  aA3    nnnnnnn.nnn  A2  nnnnnnnnnnn.nnnn  aaaaA6

REFERENCE  REASON  DATE      COST RPL AMT
aaaaaaaA10  aaaaA6  nnnnnn   nnnnnnnnnnn.nnnn
-----

```

```

F02 PAGE FORWARD
F03 PAGE BACKWARD
F09 REVIEW ALL
F10 RETURN TO SELECT
F17 ACCEPT W/ERROR
F20 DELETE RECORD

```

What to do

To change a transaction, type in the correct information and press **Enter**. The transaction on the display is processed. Any changes made are checked for possible errors. Either the next or the previous transaction in the batch appears, depending on whether you page forward or backward.

- If it is the same type transaction, display AMI3D02B appears again.
- If it is a different type transaction, the Inventory Transaction – Detail Review (Review) display (AMI3D32R) appears.

Function keys

F02 PAGE FORWARD causes the next transaction in the batch to appear. If the same transaction type, display AMI3D02B appears again. If it is a different transaction type, the Inventory Transaction – Detail Review (Review) display (AMI3D32R) appears.

[Contents](#)[Index](#)[Exit](#)

F03 PAGE BACKWARD causes the previous transaction in the batch to appear. If it is the same transaction type, display AMI3D02B appears again. If it is a different transaction type, the Inventory Transaction – Detail Review (Review) display (AMI3D32R) appears.

F09 REVIEW ALL causes the Inventory Transaction – Summary Review (Review) display (AMI3D31R) to appear, in order to view a summary of either the next, or the previous, group of transactions in the batch. (This depends on whether you page forward or backward.)

F10 RETURN TO SELECT causes the Inventory Transaction – Transaction Selection (Select) display (AMI3D01) to appear again so you can enter additional transactions.

F17 ACCEPT W/ERROR accepts any transactions shown with error (E) messages, and flags them as error transactions. You must correct these transactions before the Inventory Transaction Register report (AMV3G) is printed.

Note: F17 is not required if only warning (W) messages appear.

F20 DELETE RECORD deletes the Cost Adjustment transaction shown on the display. Either the next or the previous transaction in the batch appears, depending on whether you were paging forward or backward. If it is the same type transaction, display AMI3D02B appears again. If it is a different type transaction, the Inventory Transaction – Detail Review (Review) display (AMI3D32R) appears.

Fields

Any of the fields on the display can be changed. The entire Cost Adjustment transaction can also be deleted from this display.

Note: Refer to “AMI3D02E—Inventory Transaction—Cost Adjustment (CA) (Enter)” for an explanation of the fields on this display.

[Contents](#)[Index](#)[Exit](#)

AMI3D02I—Inventory Transaction – Cost Adjustment (CA) (Review)

Use this display to review or reverse previous Cost Adjustment transactions that were added to the transaction file in immediate update mode. This display appears only if immediate update was selected during application tailoring.

This display appears after selecting **F05 CHANGE** while reviewing a Cost Adjustment transaction on either the Inventory Transaction – Summary Review (Review) display (AMI3D31R), or the Inventory Transaction – Detail Review display (AMI3D32R).

This display also appears after you select either **F02 PAGE FORWARD** or **F03 PAGE BACKWARD** on display AMI3D02I, if the next or previous transaction is also a Cost Adjustment.

Note: When reviewing a batch that was loaded from an offline file, the AMI3D02B display appears instead.

```

DATE **/**/**          INVENTORY TRANSACTION          REVIEW  AMI3D02I **
                        COST ADJUSTMENT (CA)
REV  ORDER  ITEM NUMBER  WHSE  QUANTITY  U/M          TRN AMT  VENDOR
A   *****  *****  ***  *****  **  *****  *****

REFERENCE  REASON  DATE          COST RPL AMT
*****  *****  *****  *****
-----

```

```

F02 PAGE FORWARD
F03 PAGE BACKWARD
F09 REVIEW ALL
F10 RETURN TO SELECT
F17 ACCEPT W/ ERROR
F20 DELETE RECORD

```

What to do

To reverse a transaction, type **R** in the **REV** field and press **Enter**. The transaction shown on the display is reversed. Then, either the next or the previous transaction in the batch appears, depending on whether you page forward or backward.

- If it is the same type transaction, the AMI3D02I display appears again.
- If it is a different type transaction, the Inventory Transaction – Detail Review (Review) display (AMI3D32R) appears.

To correct an unapplied transaction (REV=U) type **E** (Error) or **A** (Active) in the **REV** field and press **Enter**. If you typed A in the **REV** field, the master files are updated. Then, either the next or the previous transaction in the batch appears, depending on whether you page forward or backward.

Contents	Index	Exit
--------------------------	-----------------------	----------------------

- If it is the same type transaction, the AMI3D02I display appears again.
- If it is a different type transaction, the Inventory Transaction – Detail Review (Review) display (AMI3D32R) appears.

Function keys

F02 PAGE FORWARD causes the next transaction in the batch to appear. If the same type transaction, display AMI3D02I appears again. If it is a different type transaction, the Inventory Transaction – Detail Review (Review) display (AMI3D32R) appears.

F03 PAGE BACKWARD causes the previous transaction in the batch to appear. If the same type transaction, display AMI3D02I appears again. If it is a different type transaction, the Inventory Transaction – Detail Review (Review) display (AMI3D32R) appears.

F09 REVIEW ALL causes the Inventory Transaction – Summary Review (Review) display (AMI3D31R) to appear to view a summary of either the next group, or the previous group, of transactions in the batch. This depends on whether you were paging forward or backward.

F10 RETURN TO SELECT causes the Inventory Transaction – Transaction Selection (Select) display (AMI3D01) to appear again to perform additional transactions.

Fields

On this display, only the **REV** optional field can be typed in. All other fields are informational only. To change any of these fields, reverse this Cost Adjustment transaction with the reversal code described below, and then retype it on the AMI3D02E display.

Note: Refer to “AMI3D02E—Inventory Transaction—Cost Adjustment (CA) (Enter)” for an explanation of these fields.

REV (Reversal Code). This field contains one of the following codes:

- A** Active. This code appears for valid transactions. If you type in R, the transaction is reversed, and the master files are changed back as they were previously. The Inventory Transaction Register (AMV3G) shows the transaction as deleted.
- R** Reversed. If you type in A, this transaction is reactivated.
- E** Error. This code appears only after you have changed U to E.
- U** Unapplied. This code appears for transactions processed while in immediate update mode, that were not accepted because of errors. Transactions with code U must be changed to E (accept with error) or A (reactivate) before the batch can be closed. If you change U to E, no master files are updated.

AMI3D03E—Inventory Transaction—Average Cost Replace (CR) (Enter)

Use this display to change the average unit cost of an item. This is the cost of the item in inventory, arrived at by dividing the total value of the item by the number of items in inventory.

This display appears when you select option 2 or transaction code CR on display AMI3D01.

You can perform up to four Average Cost Replace transactions on this display. A history area at the top of the display shows you the last valid Average Cost Replace transaction in the batch.

```

DATE **/**/**          INVENTORY TRANSACTION          ENTER  AMI3D03E **
                          AVERAGE COST REPLACE (CR)
ORDER  ITEM NUMBER    WHSE
*****  *****
*****

REFERENCE  REASON  DATE      COST RPL AMT
*****
-----
aaaaaA7  aaaaaaaaaaA15  aA3
aaaaaaaA10  aaaaA6  nnnnnn  nnnnnnnnnnn.nnnn

aaaaaA7  aaaaaaaaaaA15  aA3
aaaaaaaA10  aaaaA6  nnnnnn  nnnnnnnnnnn.nnnn

aaaaaA7  aaaaaaaaaaA15  aA3
aaaaaaaA10  aaaaA6  nnnnnn  nnnnnnnnnnn.nnnn

aaaaaA7  aaaaaaaaaaA15  aA3
aaaaaaaA10  aaaaA6  nnnnnn  nnnnnnnnnnn.nnnn

F09 REVIEW ALL
F10 RETURN TO SELECT
F17 ACCEPT W/ERROR
    
```

What to do

To enter transactions, type in the information you need for each transaction and press **Enter**.

- If one or more error messages appear, the transactions cannot be processed. You must change them, or use **F17** to accept them with error.
- If only information or warning messages appear, press **Enter** again to process the transactions shown. If the transactions are not correct, you should change them before pressing **Enter** again.
- If there are no errors, the transactions shown are processed and display AMI3D03E appears again so you can enter additional transactions.

Function keys

F09 REVIEW ALL causes the Inventory Transaction – Summary Review (Review) display (AMI3D31R) to appear, so you can review a summary of the last 12 transactions in the batch.

Contents	Index	Exit
--------------------------	-----------------------	----------------------

F10 RETURN TO SELECT causes the Inventory Transaction – Transaction Selection (Select) display (AMI3D01) to appear again so you can select another type transaction.

F17 ACCEPT W/ERROR accepts any transactions shown with error (E) messages and flags them as error transactions. You must correct these transactions before the Inventory Transaction Register report (AMV3G) is printed.

Note: F17 is not required if only warning (W) messages appear. F17 is only valid in batch update mode.

Fields

[?] appears next to a field name in the following field definitions to identify a field from which you can begin a master file search.

Each of the following fields appears four times on the display, once for each of the four transactions. You can duplicate any of the fields from the history area in the corresponding fields below the line by putting the cursor in the field, and then pressing the **DUP** key.

ORDER (Order Number). Type in the number of the purchase or manufacturing order associated with this Average Cost Replace transaction.

ITEM NUMBER [?]. Required. Type in the number of the item whose average cost is being replaced.

WHSE (Warehouse Code). Required if you have multiple warehouses defined in the Warehouse Master file. Type in the code of the warehouse where this item is stored. If you have only one warehouse, this field does not appear.

REFERENCE. Type in a user-defined value to be used for reference purposes only. It is printed on the Inventory Transaction Register report (AMV3G).

REASON. Type in a code that explains the reason for this transaction. This code is assigned by your company.

DATE. Type in the date of this transaction. If you leave this field blank, the transaction date entered on display AMI3D01 is used.

COST RPL AMT. Type in the new average cost for this item. If you leave this field blank, a warning message appears and the cost is set to 0 in the Item Balance file.

[Contents](#)[Index](#)[Exit](#)

AMI3D03B—Inventory Transaction—Average Cost Replace (CR) (Review)

Use this display to change previous Average Cost Replace transactions that were added to the transaction file in batch update mode. This display appears only if batch update was selected during application tailoring.

This display appears after selecting **F05 CHANGE** on either the Inventory Transaction – Summary Review (Review) display (AMI3D31R), or the Inventory Transaction – Detail Review display (AMI3D32R), when you are reviewing Average Cost Replace transaction.

This display also appears when you select **F02 PAGE FORWARD** or **F03 PAGE BACKWARD** on the AMI3D03B display, and the next or the previous transaction is also an Average Cost Replace transaction.

```

DATE **/**/**          INVENTORY TRANSACTION          REVIEW  AMI3D03B **
                        AVERAGE COST REPLACE (CR)
ORDER  ITEM NUMBER  WHSE
aaaaaA7  aaaaaaaaaA15  aA3

REFERENCE  REASON  DATE      COST RPL AMT
aaaaaaaA10  aaaaA6  nnnnnn   nnnnnnnnnnn.nnnn
-----

```

```

F02 PAGE FORWARD
F03 PAGE BACKWARD
F09 REVIEW ALL
F10 RETURN TO SELECT
F17 ACCEPT W/ERROR
F20 DELETE RECORD

```

What to do

To change a transaction, type in the information you need to change and press **Enter**. The transaction is processed. Any changes made are checked for possible errors. Then either the next or the previous transaction in the batch appears, depending on whether you page forward or backward.

- If it is the same type transaction, display AMI3D03B appears again.
- If it is a different type transaction, the Inventory Transaction – Detail Review (Review) display (AMI3D32R) appears.

Function keys

F02 PAGE FORWARD causes the next transaction in the batch to appear. If it is the same type transaction, display AMI3D03B appears again. If it is a different type transaction, the Inventory Transaction – Detail Review (Review) display (AMI3D32R) appears.

Contents	Index	Exit
--------------------------	-----------------------	----------------------

F03 PAGE BACKWARD causes the previous transaction in the batch to appear. If it is the same type transaction, display AMI3D03B appears again. If it is a different type transaction, the Inventory Transaction – Detail Review (Review) display (AMI3D32R) appears.

F09 REVIEW ALL causes the Inventory Transaction – Summary Review (Review) display (AMI3D31R) to appear, so you can review a summary of the next or the previous group of transactions in the batch, depending on whether you were paging forward or backward.

F10 RETURN TO SELECT causes the Inventory Transaction – Transaction Selection (Select) display (AMI3D01) to appear again so you can enter additional transactions.

F17 ACCEPT W/ERROR accepts any transactions shown with error (E) messages and flags them as error transactions. You must correct these transactions before the Inventory Transaction Register report (AMV3G) is printed.

Note: F17 is not required if only warning (W) messages appear.

F20 DELETE RECORD causes the Average Cost Replace transaction shown to be deleted. Either the next or the previous transaction in the batch appears, depending on whether you were paging forward or backward. If it is the same type transaction, display AMI3D03B appears again. If it is a different type transaction, the Inventory Transaction – Detail Review (Review) display (AMI3D32R) appears.

Fields

You can change any of the fields shown, or delete the entire Average Cost Replace transaction using this display. Refer to "AMI3D03E—Inventory Transaction—Average Cost Replace (CR) (Enter)" for an explanation of the fields on this display.

Contents	Index	Exit
--------------------------	-----------------------	----------------------

AMI3D03I—Inventory Transaction—Average Cost Replace (CR) (Review)

Use this display to review or reverse previously entered Average Cost Replace transactions that were added to the transaction file in immediate update mode. It appears only if immediate update was selected during application tailoring.

This display appears when you select **F05 CHANGE**, while reviewing an Average Cost Replace transaction, on either the Inventory Transaction – Summary Review (Review) display (AMI3D31R), or the Inventory Transaction – Detail Review display (AMI3D32R).

This display also appears again when you select **F02 PAGE FORWARD** or **F03 PAGE BACKWARD** on display AMI3D03I, and the next or the previous transaction is also an Average Cost Replace transaction.

Note: When you are reviewing a batch that was loaded from an offline file, display AMI3D03B appears instead of this display.

```

DATE **/**/**          INVENTORY TRANSACTION          REVIEW  AMI3D03I **
                        AVERAGE COST REPLACE (CR)
REV  ORDER  ITEM NUMBER  WHSE
A   *****  *****
                                     .
REFERENCE  REASON  DATE      COST RPL AMT
*****    *****  *****  *****
-----

```

```

F02 PAGE FORWARD
F03 PAGE BACKWARD
F09 REVIEW ALL
F10 RETURN TO SELECT

```

What to do

To reverse a transaction, type **R** in the **REV** field and press **Enter**. The transaction shown on the display is reversed. Then, either the next or the previous transaction in the batch appears, depending on whether you page forward or backward.

- If it is the same type transaction, the AMI3D03I display appears again.
- If it is a different type transaction, the Inventory Transaction – Detail Review (Review) display (AMI3D32R) appears.

To correct an unapplied transaction (REV=U) type **E** (Error) or **A** (Active) in the **REV** field and press **Enter**. If you typed **A** in the **REV** field, the master files are updated. Then, either the next or the previous transaction in the batch appears, depending on whether you page forward or backward.

- If it is the same type transaction, the AMI3D03I display appears again.
- If it is a different type transaction, the Inventory Transaction – Detail Review (Review) display (AMI3D32R) appears.

Function keys

F02 PAGE FORWARD causes the next transaction in the batch to appear. If it is the same type transaction, display AMI3D03I appears again. If it is a different type transaction, the Inventory Transaction – Detail Review (Review) display (AMI3D32R) appears.

F03 PAGE BACKWARD causes the previous transaction in the batch to appear. If it is the same type transaction, display AMI3D03I appears again. If it is a different type transaction, the Inventory Transaction – Detail Review (Review) display (AMI3D32R) appears.

F09 REVIEW ALL causes the Inventory Transaction – Summary Review (Review) display (AMI3D31R) to appear, so you can review a summary of the next or the previous group of transactions in the batch, depending on whether you were paging forward or backward.

F10 RETURN TO SELECT causes the Inventory Transaction – Transaction Selection (Select) display (AMI3D01) to appear again so you can enter additional transactions.

Fields

On this display, only the optional **REV** field can be typed in. All other fields are informational only. To change the data in any of these fields, you must reverse this Average Cost Replace transaction with the reversal code described below, and retype the data using display AMI3D03E.

Note: Refer to “AMI3D03E—Inventory Transaction—Average Cost Replace (CR) (Enter)” for an explanation of these fields.

REV (Reversal Code). This field contains one of the following codes:

- A** Active. This code appears for valid transactions. If you type in R, the transaction is reversed, and the master files are changed back as they were previously. The Inventory Transaction Register (AMV3G) shows the transaction as deleted.
- R** Reversed. If you type in A, this transaction is reactivated.
- E** Error. This code appears only after you have changed U to E.
- U** Unapplied. This code appears for transactions entered in immediate update mode that were not accepted because of errors. Transactions with code U must be changed to E (accept with error) or A (reactivate) before the batch can be closed. If you change U to E, no master files are updated.

[Contents](#)[Index](#)[Exit](#)

AMI3D04E—Inventory Transaction—Standard Cost Replace (CS) (Enter)

Use this display to change the standard unit cost of an item. This is the estimated cost derived from engineering standards (material and labor) in association with labor and overhead rates. This transaction does not affect any of the cost fields in the Item Master record.

This display appears when you select option 3 or transaction code CS on display AMI3D01.

You can perform up to four Standard Cost Replace transactions on this display. A history area at the top of the display shows you the last valid Standard Cost Replace transaction in the batch.

```

DATE **/**/**          INVENTORY TRANSACTION          ENTER   AMI3D04E **
                        STANDARD COST REPLACE (CS)
ORDER  ITEM NUMBER    WHSE
*****
REFERENCE  REASON  DATE      COST RPL AMT
*****
-----
aaaaA7  aaaaaaaaaA15  aA3
aaaaA10  aaaaA6  nnnnnn  nnnnnnnnnn.nnnn

aaaaA7  aaaaaaaaaA15  aA3
aaaaA10  aaaaA6  nnnnnn  nnnnnnnnnn.nnnn

aaaaA7  aaaaaaaaaA15  aA3
aaaaA10  aaaaA6  nnnnnn  nnnnnnnnnn.nnnn

aaaaA7  aaaaaaaaaA15  aA3
aaaaA10  aaaaA6  nnnnnn  nnnnnnnnnn.nnnn

F09 REVIEW ALL
F10 RETURN TO SELECT
F17 ACCEPT W/ERROR

```

What to do

To enter transactions, type in the information you need for each transaction and press **Enter**.

- If one or more error messages appear, the transactions cannot be processed. You must change them, or use **F17** to accept them with error.
- If only information or warning messages appear, press **Enter** again to process the transactions shown. If the transactions are not correct, you should change them before pressing **Enter** again.
- If there are no errors, the transactions shown are processed and display AMI3D04E appears again so you can enter additional transactions.

[Contents](#)[Index](#)[Exit](#)

Function keys

F09 REVIEW ALL causes the Inventory Transaction – Summary Review (Review) display (AMI3D31R) to appear, so you can review a summary of the last 12 transactions in the batch.

F10 RETURN TO SELECT causes the Inventory Transaction – Transaction Selection (Select) display (AMI3D01) to appear again so you can select another type transaction.

F17 ACCEPT W/ERROR accepts any transactions shown with error (E) messages and flags them as error transactions. You must correct these transactions before the Inventory Transaction Register report (AMV3G) is printed.

Note: F17 is not required if only warning (W) messages appear. F17 is only valid in batch update mode.

Fields

[?] appears next to a field name in the following field definitions to identify a field from which you can begin a master file search.

Each of the following fields appears four times on the display, once for each of the four transactions. You can duplicate any of the alphanumeric fields from the history area in the corresponding fields below the line, by putting the cursor in the field, and then pressing the **DUP** key.

ORDER (Order Number). Type in the number of the purchase or manufacturing order associated with this Standard Cost Replace transaction.

ITEM NUMBER [?]. Required. Type in the number of the item whose standard cost is being replaced.

WHSE (Warehouse Code). Required if you have multiple warehouses defined in the Warehouse Master file. Type in the code of the warehouse where this item is stored. If you have only one warehouse, this field does not appear.

REFERENCE. Type in a user-defined value to be used for reference purposes only. It is printed on the Inventory Transaction Register report (AMV3G).

REASON. Type in a code that explains the reason for this transaction. This code is assigned by your company.

DATE. Type in the date of this transaction. If you leave this field blank, the transaction date entered on display AMI3D01 is used.

COST RPL AMT. Type in the new standard cost for this item. If you leave this field blank, a warning message appears and the cost is set to 0 in the Item Balance file.

[Contents](#)[Index](#)[Exit](#)

AMI3D04B—Inventory Transaction—Standard Cost Replace (CS) (Review)

Use this display to change previously entered Standard Cost Replace transactions that were added to the transaction file in batch update mode. It appears only if batch update was selected during application tailoring.

This display appears when you select **F05 CHANGE**, while reviewing a Standard Cost Replace transaction on either the Inventory Transaction – Summary Review (Review) display (AMI3D31R), or the Inventory Transaction – Detail Review display (AMI3D32R).

This display also appears when you select **F02 PAGE FORWARD** or **F03 PAGE BACKWARD** on display AMI3D04B, and the next or the previous transaction is also a Standard Cost Replace transaction.

```

DATE **/**/**          INVENTORY TRANSACTION          REVIEW  AMI3D04B **
                        STANDARD COST REPLACE (CS)
ORDER  ITEM NUMBER  WHSE
aaaaaA7  aaaaaaaaaA15  aA3

REFERENCE  REASON  DATE      COST RPL AMT
aaaaaaaA10  aaaaA6  nnnnnn   nnnnnnnnnnn.nnnn
-----

```

```

F02 PAGE FORWARD
F03 PAGE BACKWARD
F09 REVIEW ALL
F10 RETURN TO SELECT
F17 ACCEPT W/ERROR
F20 DELETE RECORD

```

What to doWhat to do

To change a transaction, type in the information you need to change and press **Enter**. The transaction is processed. Any changes made are checked for possible errors. Then either the next or the previous transaction in the batch appears, depending on whether you page forward or backward.

- If it is the same type transaction, display AMI3D04B appears again.
- If it is a different type transaction, the Inventory Transaction – Detail Review (Review) display (AMI3D32R) appears.

Function keys

F02 PAGE FORWARD causes the next transaction in the batch to appear. If it is the same type transaction, display AMI3D04B appears again. If it is a different type

Contents	Index	Exit
--------------------------	-----------------------	----------------------

transaction, the Inventory Transaction – Detail Review (Review) display (AMI3D32R) appears.

F03 PAGE BACKWARD causes the previous transaction in the batch to appear. If it is the same type transaction, display AMI3D04B appears again. If it is a different type transaction, the Inventory Transaction – Detail Review (Review) display (AMI3D32R) appears.

F09 REVIEW ALL causes the Inventory Transaction – Summary Review (Review) display (AMI3D31R) to appear, so you can review a summary of the next or the previous group of transactions in the batch, depending on whether you were paging forward or backward.

F10 RETURN TO SELECT causes the Inventory Transaction – Transaction Selection (Select) display (AMI3D01) to appear again so you can enter additional transactions.

F17 ACCEPT W/ERROR accepts any transactions shown with error (E) messages and flags them as error transactions. You must correct these transactions before the Inventory Transaction Register report (AMV3G) is printed.

Note: F17 is not required if only warning (W) messages appear

F20 DELETE RECORD causes the Standard Cost Replace transaction shown to be deleted. Either the next or the previous transaction in the batch appears, depending on whether you were paging forward or backward. If it is the same type transaction, display AMI3D04B appears again. If it is a different type transaction, the Inventory Transaction – Detail Review (Review) display (AMI3D32R) appears.

Fields

Any of the fields shown can be changed, or the entire Standard Cost Replace transaction can be deleted using this display. Refer to “AMI3D04E—Inventory Transaction–Standard Cost Replace (CS) (Enter)” for an explanation of the fields on this display.

Contents	Index	Exit
--------------------------	-----------------------	----------------------

AMI3D04I—Inventory Transaction—Standard Cost Replace (CS) (Review)

Use this display to review or reverse previously entered Standard Cost Replace transactions that were added to the transaction file in immediate update mode. It appears only if immediate update was selected during application tailoring.

This display appears when you select **F05 CHANGE**, while reviewing a Standard Cost Replacement transaction, on either the Inventory Transaction – Summary Review (Review) display (AMI3D31R) or the Inventory Transaction – Detail Review display (AMI3D32R). This display also appears when you select **F02 PAGE FORWARD** or **F03 PAGE BACKWARD** on display AMI3D04I, and the next or the previous transaction is also a Standard Cost Replace transaction.

Note: When you are reviewing a batch that was loaded from an offline file, display AMI3D04B appears instead of this display.

DATE **/**/**	INVENTORY TRANSACTION STANDARD COST REPLACE (CS)			REVIEW	AMI3D04I **
REV	ORDER	ITEM NUMBER	WHSE		
A	*****	*****	***		
REFERENCE	REASON	DATE	COST RPL AMT		
*****	*****	*****	*****		

F02 PAGE FORWARD
 F03 PAGE BACKWARD
 F09 REVIEW ALL
 F10 RETURN TO SELECT

What to do

To reverse a transaction, type **R** in the **REV** field and press **Enter**. The transaction shown on the display is reversed. Then, either the next or the previous transaction in the batch appears, depending on whether you page forward or backward.

- If it is the same type transaction, the AMI3D04I display appears again.
- If it is a different type transaction, the Inventory Transaction – Detail Review (Review) display (AMI3D32R) appears.

To correct an unapplied transaction (REV=U) type **E** (Error) or **A** (Active) in the **REV** field and press **Enter**. If you typed **A** in the **REV** field, the master files are updated. Then, either the next or the previous transaction in the batch appears, depending on whether you page forward or backward.

- If it is the same type transaction, the AMI3D04I display appears again.

- If it is a different type transaction, the Inventory Transaction – Detail Review (Review) display (AMI3D32R) appears.

Function keys

F02 PAGE FORWARD causes the next transaction in the batch to appear. If it is the same type transaction, display AMI3D04I appears again. If it is a different type transaction, the Inventory Transaction – Detail Review (Review) display (AMI3D32R) appears.

F03 PAGE BACKWARD causes the previous transaction in the batch to appear. If it is the same type transaction, display AMI3D04I appears again. If it is a different type transaction, the Inventory Transaction – Detail Review (Review) display (AMI3D32R) appears.

F09 REVIEW ALL causes the Inventory Transaction – Summary Review (Review) display (AMI3D31R) to appear, so you can review a summary of the next or the previous group of transactions in the batch, depending on whether you were paging forward or backward.

F10 RETURN TO SELECT causes the Inventory Transaction – Transaction Selection (Select) display (AMI3D01) to appear again so you can enter additional transactions.

Fields

On this display, only the optional **REV** field can be typed in. All other fields are informational only. To change the data in any of these fields, you must reverse this Standard Cost Replace transaction, with the reversal code described below, and reenter it on display AMI3D04E.

Note: Refer to “AMI3D04E—Inventory Transaction–Standard Cost Replace (CS) (Enter)” for an explanation of these fields.

REV (Reversal Code). This field contains one of the following codes:

- A** Active. This code appears for valid transactions. If you type in R, the transaction is reversed, and the master files are changed back as they were previously. The Inventory Transaction Register (AMV3G) shows the transaction as deleted.
- R** Reversed. If you type in A, this transaction is reactivated.
- E** Error. This code appears only after you have changed U to E.
- U** Unapplied. This code appears for transactions entered in immediate update mode that were not accepted because of errors. Transactions with code U must be changed to E (accept with error) or A (reactivate) before the batch can be closed. If you change U to E, no master files are updated.

[Contents](#)[Index](#)[Exit](#)

AMI3D05E—Inventory Transaction—Inventory Adjustment (IA) (Enter)

Use this display to adjust the on hand balance of an item when it differs from the actual on hand quantity.

When a positive adjustment is made (increase of balance on hand), an option allows you to check for orders that have shortages of the item. If you take the option, the Dispatch Materials Inquiry display (AMI3D28E) appears, which shows you where shortages exist in manufacturing or customer orders.

This display appears when you select option 4 or transaction code IA on display AMI3D01. You can perform up to four Inventory Adjustment transactions on this display. A history area at the top of the display shows you the last valid Inventory Adjustment transaction in the batch.

```

DATE **/**/**                INVENTORY TRANSACTION          ENTER  AMI3D05E **
                               INVENTORY ADJUSTMENT (IA)
                               ITEM NUMBER  WHSE    QUANTITY  U/M
                               ***** **  ***** **
-----
REFERENCE  REASON  DATE                LOCATION BATCH/LOT  FIFO DATE
*****    *      *                *      *
-----
*          aaaaaaaaaA15 aA3  nnnnnnn.nnn  A2
aaaaaaaA10 aaaaA6  nnnnnn          aaaaaA7  aaaaaaA10  nnnnnn

*          aaaaaaaaaA15 aA3  nnnnnnn.nnn  A2
aaaaaaaA10 aaaaA6  nnnnnn          aaaaaA7  aaaaaaA10  nnnnnn

*          aaaaaaaaaA15 aA3  nnnnnnn.nnn  A2
aaaaaaaA10 aaaaA6  nnnnnn          aaaaaA7  aaaaaaA10  nnnnnn

*          aaaaaaaaaA15 aA3  nnnnnnn.nnn  A2
aaaaaaaA10 aaaaA6  nnnnnn          aaaaaA7  aaaaaaA10  nnnnnn
ENTER LINE NUMBER, OR 9 TO END  n

                                           F09 REVIEW ALL
                                           F10 RETURN TO SELECT
                                           F17 ACCEPT W/ERROR

```

What to do

To enter transactions, type in the information you need for each transaction and press **Enter**.

- If one or more error messages appear, the transactions cannot be processed. You must change them, or use **F17** to accept them with error.
- If only information or warning messages appear, press **Enter** again to process the transactions shown. If the transactions are not correct, you should change them before pressing **Enter** again.
- If there are no errors, the transactions shown are processed and display AMI3D05E appears again so you can enter additional transactions.
 - If the **SHORTAGE CHECKING** field on display AMI3D01 contains NO, or there are no potential shortages, you can enter another transaction.
 - If the **SHORTAGE CHECKING** field on display AMI3D01 contains YES, and there are potential shortages, display AMI3D05E appears again with line

Contents	Index	Exit
--------------------------	-----------------------	----------------------

numbers next to the transactions you just entered so you can check shortages for those items.

- If line numbers appear and you entered a line number to check shortages, press **Enter** again to review shortages for the requested item on the Dispatch Materials Inquiry display (AMI3D28E).
- If line numbers appear and you enter 9 to end shortage checking and press **Enter**, display AMI3D05E appears so you can enter additional transactions.

Function keys

F09 REVIEW ALL causes the Inventory Transaction – Summary Review (Review) display (AMI3D31R) to appear, so you can review a summary of the last 12 transactions in the batch.

F10 RETURN TO SELECT causes the Inventory Transaction – Transaction Selection (Select) display (AMI3D01) to appear again so you can select another type transaction.

F17 ACCEPT W/ERROR accepts any transactions shown with error (E) messages and flags them as error transactions. You must correct these transactions before the Inventory Transaction Register report (AMV3G) is printed.

Note: F17 is not required if only warning (W) messages appear. F17 is only valid in batch update mode.

Fields

[?] appears next to a field name in the following field definitions to identify a field from which you can begin a master file search.

Each of the following fields appears four times on the display, once for each of the four transactions. You can duplicate any of the alphanumeric fields from the history area in the corresponding fields below the line, by putting the cursor in the field, and then pressing the **DUP** key.

ITEM NUMBER [?]. Required. Type in the number of the item whose quantity is being adjusted.

WHSE (Warehouse Code). Required if you have multiple warehouses defined in the Warehouse Master file. Type in the code of the warehouse where this item is stored. If you have only one warehouse, this field does not appear.

QUANTITY. Required. Type in the adjustment quantity for this item. Use the **Field Plus** key to increase the on hand quantity. Use the **Field Minus** key to decrease the on hand quantity.

U/M (Unit of Measure). The stocking unit of measure. Type in a value or leave this field blank. If you leave the **U/M** field blank, the stocking unit of measure in the Item Master file is used.

REFERENCE. Type in a user-defined value to be used for reference purposes only. It is printed on the Inventory Transaction Register report (AMV3G).

Contents	Index	Exit
--------------------------	-----------------------	----------------------

REASON. Type in a code that explains the reason for this transaction. This code is assigned by your company.

DATE. Type in the date of this transaction. If you leave this field blank, the transaction date entered on display AMI3D01 is used.

LOCATION [?]. A physical storage point within the warehouse. The stock location of the item, as stored in the Location Detail file. If you are using a controlled warehouse, this field is required.

BATCH/LOT. If you chose the batch/lot control option during application tailoring and it applies to this item, type in the batch or lot number.

FIFO DATE (First-In-First-Out Date). Type in the date when the item was received in stock, whether approved or unapproved. The default is the transaction date. This field appears only if the FIFO date integrity option was chosen during application tailoring.

ENTER LINE NUMBER, OR 9 TO END. This field is not shown when display AMI3D05E first appears. After you press **Enter**, this field appears only if you requested shortage checking on AMI3D01, a potential shortage exists, and you entered a positive quantity.

To review the shortages for an item, type in the line number of the item. If you do not want to review shortages or you are finished checking shortages, type in **9**.

[Contents](#)[Index](#)[Exit](#)

AMI3D05B—Inventory Transaction—Inventory Adjustment (IA) (Review)

Use this display to change previously entered Inventory Adjustment transactions that were added to the transaction file in batch update mode. It appears only if batch update was selected during application tailoring.

This display appears when you select **F05 CHANGE**, while you are reviewing an Inventory Adjustment transaction on either the Inventory Transaction– Summary Review (Review) display (AMI3D31R), or the Inventory Transaction – Detail Review display (AMI3D32R).

This display also appears when you select **F02 PAGE FORWARD** or **F03 PAGE BACKWARD** on display AMI3D05B and the next or the previous transaction is also an Inventory Adjustment transaction.

```

DATE **/**/**          INVENTORY TRANSACTION          REVIEW  AMI3D05B **
                        INVENTORY ADJUSTMENT (IA)
                        ITEM NUMBER  WHSE  QUANTITY  U/M
                        aaaaaaaaaA15 aA3  nnnnnnn.nnn  A2

REFERENCE  REASON  DATE          LOCATION BATCH/LOT  FIFO DATE
aaaaaaaA10  aaaaA6  nnnnnn          aaaaaA7  aaaaaaA10  nnnnnn
-----

```

```

F02 PAGE FORWARD
F03 PAGE BACKWARD
F09 REVIEW ALL
F10 RETURN TO SELECT
F17 ACCEPT W/ERROR
F20 DELETE RECORD

```

What to do

To change a transaction, type in the information you need to change and press **Enter**. The transaction is processed. Any changes made are checked for possible errors. Then either the next or the previous transaction in the batch appears, depending on whether you page forward or backward.

- If it is the same type transaction, display AMI3D05B appears again.
- If it is a different type transaction, the Inventory Transaction – Detail Review (Review) display (AMI3D32R) appears.

Function keys

F02 PAGE FORWARD causes the next transaction in the batch to appear. If it is the same type transaction, display AMI3D05B appears again. If it is a different type transaction, the Inventory Transaction – Detail Review (Review) display (AMI3D32R) appears.

Contents	Index	Exit
--------------------------	-----------------------	----------------------

F03 PAGE BACKWARD causes the previous transaction in the batch to appear. If it is the same type transaction, display AMI3D05B appears again. If it is a different type transaction, the Inventory Transaction – Detail Review (Review) display (AMI3D32R) appears.

F09 REVIEW ALL causes the Inventory Transaction – Summary Review (Review) display (AMI3D31R) to appear, so you can review a summary of the next or the previous group of transactions in the batch, depending on whether you were paging forward or backward.

F10 RETURN TO SELECT causes the Inventory Transaction – Transaction Selection (Select) display (AMI3D01) to appear again so you can enter additional transactions.

F17 ACCEPT W/ERROR accepts any transactions shown with error (E) messages and flags them as error transactions. You must correct these transactions before the Inventory Transaction Register report (AMV3G) is printed.

Note: F17 is not required if only warning (W) messages appear.

F20 DELETE RECORD causes the Inventory Adjustment transaction to be deleted. Either the next or the previous transaction in the batch appears, depending on whether you were paging forward or backward. If it is the same type transaction, display AMI3D05B appears again. If it is a different type transaction, the Inventory Transaction – Detail Review (Review) display (AMI3D32R) appears.

Fields

Any of the fields shown can be changed, or the entire Inventory Adjustment transaction can be deleted using this display. Refer to “AMI3D05E—Inventory Transaction–Inventory Adjustment (IA) (Enter)” for an explanation of the fields on this display.

Contents	Index	Exit
--------------------------	-----------------------	----------------------

AMI3D05I—Inventory Transaction—Inventory Adjustment (IA) (Review)

Use this display to review or reverse previously entered Inventory Adjustment transactions that were added to the transaction file in immediate update mode. It appears only if immediate update was selected during application tailoring.

This display appears when you select **F05 CHANGE**, while reviewing an Inventory Adjustment transaction, on either the Inventory Transaction – Summary Review (Review) display (AMI3D31R), or the Inventory Transaction – Detail Review display (AMI3D32R). This display also appears when you select **F02 PAGE FORWARD** or **F03 PAGE BACKWARD** on display AMI3D05I, and the next or the previous transaction is also an Inventory Adjustment transaction.

Note: When you are reviewing a batch that was loaded from an offline file, display AMI3D05B appears instead of this display.

DATE **/**/**	INVENTORY TRANSACTION			REVIEW	AMI3D05I **
REV	ITEM NUMBER	WHSE	QUANTITY	U/M	
A	*****	***	*****	***	**
REFERENCE	REASON	DATE	LOCATION	BATCH/LOT	FIFO DATE
*****	*****	*****	*****	*****	*****

F02 PAGE FORWARD
 F03 PAGE BACKWARD
 F09 REVIEW ALL
 F10 RETURN TO SELECT

What to do

To reverse a transaction, type **R** in the **REV** field and press **Enter**. The transaction shown on the display is reversed. Then, either the next or the previous transaction in the batch appears, depending on whether you page forward or backward.

- If it is the same type transaction, the AMI3D05I display appears again.
- If it is a different type transaction, the Inventory Transaction – Detail Review (Review) display (AMI3D32R) appears.

To correct an unapplied transaction (REV=U) type E (Error) or A (Active) in the **REV** field and press **Enter**. If you typed A in the **REV** field, the master files are updated. Then, either the next or the previous transaction in the batch appears, depending on whether you page forward or backward.

- If it is the same type transaction, the AMI3D05I display appears again.

Contents	Index	Exit
--------------------------	-----------------------	----------------------

- If it is a different type transaction, the Inventory Transaction – Detail Review (Review) display (AMI3D32R) appears.

Function keys

F02 PAGE FORWARD causes the next transaction in the batch to appear. If it is the same type transaction, display AMI3D05I appears again. If it is a different type transaction, the Inventory Transaction – Detail Review (Review) display (AMI3D32R) appears.

F03 PAGE BACKWARD causes the previous transaction in the batch to appear. If it is the same type transaction, display AMI3D05I appears again. If it is a different type transaction, the Inventory Transaction – Detail Review (Review) display (AMI3D32R) appears.

F09 REVIEW ALL causes the Inventory Transaction – Summary Review (Review) display (AMI3D31R) to appear, so you can review a summary of the next or the previous group of transactions in the batch, depending on whether you were paging forward or backward.

F10 RETURN TO SELECT causes the Inventory Transaction – Transaction Selection (Select) display (AMI3D01) to appear again so you can enter additional transactions.

Fields

On this display, only the optional **REV** field can be typed in. All other fields are informational only. To change the data in any of these fields, you must reverse this Inventory Adjustment transaction, with the reversal code described below, and retype it using display AMI3D05E.

Note: Refer to “AMI3D05E—Inventory Transaction–Inventory Adjustment (IA) (Enter)” for an explanation of these fields.

REV (Reversal Code). This field contains one of the following codes:

- A** Active. This code appears for valid transactions. If you type in R, the transaction is reversed, and the master files are changed back as they were previously. The Inventory Transaction Register (AMV3G) shows the transaction as deleted.
- R** Reversed. If you type in A, this transaction is reactivated.
- E** Error. This code appears only after you have changed U to E.
- U** Unapplied. This code appears for transactions processed while in immediate update mode, that were not accepted because of errors. Transactions with code U must be changed to E (accept with error) or A (reactivate) before the batch can be closed. If you change U to E, no master files are updated.

[Contents](#)[Index](#)[Exit](#)

AMI3D06E—Inventory Transaction—Planned Manufacturing Issue (IP) (Enter)

Use this display to report individual component issues to manufacturing orders. This transaction differs from the Pick Complete by Order (PC) transaction, where all components are issued at the same time for an order, and the Pick Complete by Item (PB) transaction, where all of an item is issued for multiple orders. The Planned Manufacturing Issue transaction is used for a partial or complete issue of an item to a single order.

This transaction is valid only if manufacturing order tracking is supported and the open order status code in the Manufacturing Order Master file for the order does not equal 45 (material complete), 55 (material and labor complete), or 99 (order canceled).

This display appears, if manufacturing order tracking is supported, when you select option 5 or transaction code IP on display AMI3D01.

You can perform up to four Planned Manufacturing Issue transactions on this display. A history area at the top of the display shows you the last valid Planned Manufacturing Issue transaction in the batch.

```

DATE **/**/**          INVENTORY TRANSACTION          ENTER    AMI3D06E **
                        PLANNED MANUFACTURING ISSUE (IP)
ORDER  ITEM NUMBER  WHSE  QUANTITY  U/M  SEQ NO.
*****  *****  ***  *****  **  ****

REFERENCE  REASON  DATE          LOCATION  BATCH/LOT  FIFO DATE
*****  *****  *****  *****  *****  *****
-----
aaaaA7  aaaaaaaaaA15  aA3  nnnnnnn.nnn  A2  aaA4
aaaaaaaA10  aaaaA6  nnnnnn  aaaaaA7  aaaaaaaA10  nnnnnn

aaaaA7  aaaaaaaaaA15  aA3  nnnnnnn.nnn  A2  aaA4
aaaaaaaA10  aaaaA6  nnnnnn  aaaaaA7  aaaaaaaA10  nnnnnn

aaaaA7  aaaaaaaaaA15  aA3  nnnnnnn.nnn  A2  aaA4
aaaaaaaA10  aaaaA6  nnnnnn  aaaaaA7  aaaaaaaA10  nnnnnn

aaaaA7  aaaaaaaaaA15  aA3  nnnnnnn.nnn  A2  aaA4
aaaaaaaA10  aaaaA6  nnnnnn  aaaaaA7  aaaaaaaA10  nnnnnn

                                F09 REVIEW ALL
                                F10 RETURN TO SELECT
                                F17 ACCEPT W/ERROR

```

What to do

To enter transactions, type in the information you need for each transaction and press **Enter**.

- If one or more error messages appear, the transactions cannot be processed. You must change them, or use **F17** to accept them with error.
- If only information or warning messages appear, press **Enter** again to process the transactions shown. If the transactions are not correct, you should change them before pressing **Enter** again.

- If there are no errors, the transactions shown are processed and display AMI3D06E appears again so you can enter additional transactions.

Function keys

F09 REVIEW ALL causes the Inventory Transaction – Summary Review (Review) display (AMI3D31R) to appear, so you can review a summary of the last 12 transactions in the batch.

F10 RETURN TO SELECT causes the Inventory Transaction – Transaction Selection (Select) display (AMI3D01) to appear again so you can select another type transaction.

F17 ACCEPT W/ERROR accepts any transactions shown with error (E) messages and flags them as error transactions. You must correct these transactions before the Inventory Transaction Register report (AMV3G) is printed.

Note: F17 is not required if only warning (W) messages appear. F17 is only valid in batch update mode.

Fields

[?] appears next to a field name in the following field definitions to identify a field from which you can begin a master file search.

Each of the following fields appears four times on the display, once for each of the four transactions. You can duplicate any of the alphanumeric fields from the history area in the corresponding fields below the line by putting the cursor in the field, and then pressing the **DUP** key.

ORDER (Order Number) [?]. Required. Type in the number of the manufacturing order to which this component item is being issued.

Note: The order you enter must not be complete or canceled. (The order status must be less than 45, material complete.)

ITEM NUMBER [?]. Required. Type in the item number of the component issued.

WHSE (Warehouse Code). Required if you have multiple warehouses defined in the Warehouse Master file. Type in the code of the warehouse where this item is stored. If you have only one warehouse, this field does not appear.

QUANTITY. Required. Type in the quantity issued to the manufacturing order.

U/M (Unit of Measure). The stocking unit of measure. Type in a value or leave this field blank. If you leave the U/M field blank, the stocking unit of measure in the Item Master file is used.

SEQ NO. (Sequence Number). If the issue is applied to a specific record in the Manufacturing Order Detail file (when more than one record exists on the order for the component), type in the user-assigned sequence number of the desired material detail record. This field appears only if user sequence numbers are supported in PDM.

REFERENCE. Type in a user-defined value used for reference purposes only. It is printed on the Inventory Transaction Register report (AMV3G).

Contents	Index	Exit
--------------------------	-----------------------	----------------------

REASON. Type in a code that explains the reason for this transaction. This code is assigned by your company.

DATE. Type in the date of this transaction. If you leave this field blank, the transaction date entered on display AMI3D01 is used.

LOCATION [?]. Required if you are using a controlled warehouse. A physical storage point within the warehouse. The stock location of the item, as stored in the Location Detail file. If your system is set up to use a default location, you can leave this field blank and the stocking location (WHSLC) from the Item Balance file will be used.

BATCH/LOT. Required if the batch/lot control option was selected during application tailoring, and it applies to this item. Type in the batch or lot number.

FIFO DATE (First-In-First-Out Date). Appears and is required only if you selected FIFO date integrity during application tailoring. Type in the date when the item was received in stock, whether approved or unapproved. The default is the transaction date.

[Contents](#)[Index](#)[Exit](#)

AMI3D06B—Inventory Transaction—Planned Manufacturing Issue (IP) (Review)

Use this display to change previously entered Planned Manufacturing Issue transactions that were added to the transaction file in batch update mode. It appears only if immediate update was selected during application tailoring.

This display appears when you select **F05 CHANGE**, while reviewing a Planned Manufacturing Issue transaction, on either the Inventory Transaction – Summary Review (Review) display (AMI3D31R) or the Inventory Transaction – Detail Review (Review) display (AMI3D32R).

This display also appears when you select **F02 PAGE FORWARD** or **F03 PAGE BACKWARD** on display AMI3D06B, and the next or the previous transaction is also a Planned Manufacturing Issue transaction.

```

DATE **/**/**          INVENTORY TRANSACTION          REVIEW  AMI3D06B **
                        PLANNED MANUFACTURING ISSUE (IP)
ORDER  ITEM NUMBER  WHSE  QUANTITY  U/M  SEQ NO.
aaaaaA7  aaaaaaaaaA15  aA3  nnnnnnn.nnn  A2  aaA4

REFERENCE  REASON  DATE          LOCATION BATCH/LOT  FIFO DATE
aaaaaaaaA10  aaaaA6  nnnnnn          aaaaaA7  aaaaaaaA10  nnnnnn
-----

```

```

F02 PAGE FORWARD
F03 PAGE BACKWARD
F09 REVIEW ALL
F10 RETURN TO SELECT
F17 ACCEPT W/ERROR
F20 DELETE RECORD

```

What to do

To change a transaction, type in the information you need to change and press **Enter**. The transaction is processed. Any changes made are checked for possible errors. Then either the next or the previous transaction in the batch appears, depending on whether you page forward or backward.

- If it is the same type transaction, display AMI3D06B appears again.
- If it is a different type transaction, the Inventory Transaction – Detail Review (Review) display (AMI3D32R) appears.

Function keys

F02 PAGE FORWARD causes the next transaction in the batch to appear. If it is the same type transaction, display AMI3D06B appears. If it is a different type

Contents	Index	Exit
--------------------------	-----------------------	----------------------

transaction, the Inventory Transaction – Detail Review (Review) display (AMI3D32R) appears.

F03 PAGE BACKWARD causes the previous transaction in the batch to appear. If it is the same type transaction, display AMI3D06B appears. If it is a different type transaction, the Inventory Transaction – Detail Review (Review) display (AMI3D32R) appears.

F09 REVIEW ALL causes the Inventory Transaction – Summary Review (Review) display (AMI3D31R) to appear, so you can review a summary of the next or the previous group of transactions in the batch, depending on whether you were paging forward or backward.

F10 RETURN TO SELECT causes the Inventory Transaction – Transaction Selection (Select) display (AMI3D01) to appear, again so you can enter additional transactions.

F17 ACCEPT W/ERROR accepts any transactions shown with error (E) messages and flags them as error transactions. You must correct these transactions before the Inventory Transaction Register report (AMV3G) is printed.

Note: F17 is not required if only warning (W) messages appear.

F20 DELETE RECORD causes the Planned Manufacturing Issue transaction shown deleted. Either the next or the previous transaction in the batch appears, depending on whether you were paging forward or backward. If it is the same type transaction, display AMI3D06B appears. If it is a different type transaction, the Inventory Transaction – Detail Review (Review) display (AMI3D32R) appears.

Fields

Any of the fields shown can be changed, or the entire Planned Manufacturing Issue transaction can be deleted using this display. Refer to “AMI3D06E—Inventory Transaction–Planned Manufacturing Issue (IP) (Enter)” for an explanation of the fields on this display.

[Contents](#)[Index](#)[Exit](#)

AMI3D06I—Inventory Transaction—Planned Manufacturing Issue (IP) (Review)

Use this display to review or reverse previously entered Planned Manufacturing Issue transactions that were added to the transaction file in immediate update mode. It appears only if immediate update was selected during application tailoring.

This display appears when you select **F05 CHANGE**, while reviewing a Planned Manufacturing Issue transaction, on either the Inventory Transaction – Summary Review (Review) display (AMI3D31R), or the Inventory Transaction – Detail Review (Review) display (AMI3D32R).

This display also appears when you select **F02 PAGE FORWARD** or **F03 PAGE BACKWARD** on display AMI3D06I and the next or the previous transaction is also a Planned Manufacturing Issue transaction.

Note: When you are reviewing a batch that was loaded from an offline file, display AMI3D06B appears instead of this display.

```

DATE **/**/**          INVENTORY TRANSACTION          REVIEW  AMI3D06I **
                        PLANNED MANUFACTURING ISSUE (IP)
REV ORDER  ITEM NUMBER  WHSE   QUANTITY  U/M  SEQ NO.
A  *****  *****  ***   *****  **   ****

REFERENCE  REASON  DATE          LOCATION BATCH/LOT  FIFO DATE
*****    *****  *****      *****  *****  *****
-----

```

```

F02 PAGE FORWARD
F03 PAGE BACKWARD
F09 REVIEW ALL
F10 RETURN TO SELECT

```

What to do

To reverse a transaction, type **R** in the **REV** field and press **Enter**. The transaction shown on the display is reversed. Then, either the next or the previous transaction in the batch appears, depending on whether you page forward or backward.

- If it is the same type transaction, the AMI3D06I display appears again.
- If it is a different type transaction, the Inventory Transaction – Detail Review (Review) display (AMI3D32R) appears.

To correct an unapplied transaction (REV=U), type **E** (Error) or **A** (Active) in the **REV** field and press **Enter**. If you typed A in the **REV** field, the master files are updated. Then, either the next or the previous transaction in the batch appears, depending on whether you page forward or backward.

- If it is the same type transaction, the AMI3D06I display appears again.
- If it is a different type transaction, the Inventory Transaction – Detail Review (Review) display (AMI3D32R) appears.

Function keys

F02 PAGE FORWARD causes the next transaction in the batch to appear. If it is the same type transaction, display AMI3D06I appears. If it is a different type transaction, the Inventory Transaction – Detail Review (Review) display (AMI3D32R) appears.

F03 PAGE BACKWARD causes the previous transaction in the batch to appear. If it is the same type transaction, display AMI3D06I appears. If it is a different type transaction, the Inventory Transaction – Detail Review (Review) display (AMI3D32R) appears.

F09 REVIEW ALL causes the Inventory Transaction – Summary Review (Review) display (AMI3D31R) to appear so you can review a summary of the next or the previous group of transactions in the batch depending on whether you were paging forward or backward.

F10 RETURN TO SELECT causes the Inventory Transaction – Transaction Selection (Select) display (AMI3D01) to appear again so you can enter additional transactions.

Fields

Of the fields shown, only **REV** is optional and can be entered. All other fields are informational only. To change any of these fields, you must reverse this Planned Manufacturing Issue transaction, using the reversal code as described below, and retype it using display AMI3D06E.

Note: Refer to “AMI3D06E—Inventory Transaction–Planned Manufacturing Issue (IP) (Enter)” for an explanation of these fields.

REV (Reversal Code). This field contains one of the following codes:

- A** Active. This code appears for valid transactions. If you type in R, the transaction is reversed, and the master files are changed back as they were previously. The Inventory Transaction Register (AMV3G) shows the transaction as deleted.
- R** Reversed. If you type in A, this transaction is reactivated.
- E** Error. This code appears only after you have changed U to E.
- U** Unapplied. This code appears for transactions processed while in immediate update mode, that were not accepted because of errors. Transactions with code U must be changed to E (accept with error) or A (reactivate) before the batch can be closed. If you change U to E, no master files are updated.

[Contents](#)[Index](#)[Exit](#)

AMI3D07E—Inventory Transaction—Miscellaneous Issue (IS) (Enter)

Use this display to report issues that are not charged to manufacturing orders. Examples are cutting oil, lubricants, or uncontrolled floor stock items. No order quantities or allocation quantities are updated when this transaction is used.

Note: To issue miscellaneous items, use the Miscellaneous Item Transactions display (AMINB1).

This display appears when you select option 6 or transaction code IS on display AMI3D01.

You can perform up to four Miscellaneous Issue transactions on this display. A history area at the top of the display shows you the last valid Miscellaneous Issue transaction in the batch.

DATE **/**/**	INVENTORY TRANSACTION				ENTER	AMI3D07E **
	MISCELLANEOUS ISSUE (IS)					
	ITEM NUMBER	WHSE	QUANTITY	U/M		
	*****	***	*****	***		**
REFERENCE	REASON	DATE	LOCATION	BATCH/LOT	FIFO	DATE
*****	*****	*****	*****	*****	*****	*****

*	aaaaaaaaaaaaA15	aA3	nnnnnnn.nnn	A2		
aaaaaaaA10	aaaaA6	nnnnnn	aaaaaA7	aaaaaaaA10	nnnnnn	
*	aaaaaaaaaaaaA15	aA3	nnnnnnn.nnn	A2		
aaaaaaaA10	aaaaA6	nnnnnn	aaaaaA7	aaaaaaaA10	nnnnnn	
*	aaaaaaaaaaaaA15	aA3	nnnnnnn.nnn	A2		
aaaaaaaA10	aaaaA6	nnnnnn	aaaaaA7	aaaaaaaA10	nnnnnn	
*	aaaaaaaaaaaaA15	aA3	nnnnnnn.nnn	A2		
aaaaaaaA10	aaaaA6	nnnnnn	aaaaaA7	aaaaaaaA10	nnnnnn	

F09 REVIEW ALL
F10 RETURN TO SELECT
F17 ACCEPT W/ERROR

What to do

To enter transactions, type in the information you need for each transaction and press **Enter**.

- If one or more error messages appear, the transactions cannot be processed. You must change them, or use **F17** to accept them with error.
- If only information or warning messages appear, press **Enter** again to process the transactions shown. If the transactions are not correct, you should change them before pressing **Enter** again.
- If there are no errors, the transactions shown are processed and display AMI3D07E appears again so you can enter additional transactions.

Function keys

F09 REVIEW ALL causes the Inventory Transaction – Summary Review (Review) display (AMI3D31R) to appear, so you can review a summary of the last 12 transactions in the batch.

[Contents](#)[Index](#)[Exit](#)

F10 RETURN TO SELECT causes the Inventory Transaction – Transaction Selection (Select) display (AMI3D01) to appear again so you can select another type transaction.

F17 ACCEPT W/ERROR accepts any transactions shown with error (E) messages and flags them as error transactions. You must correct these transactions before the Inventory Transaction Register report (AMV3G) is printed.

Note: F17 is not required if only warning (W) messages appear. F17 is only valid in batch update mode.

Fields

[?] appears next to a field name in the following field definitions to identify a field from which you can begin a master file search.

Each of the following fields appears four times on the display, once for each of the four transactions. You can duplicate any of the alphanumeric fields from the history area in the corresponding fields below the line, by putting the cursor in the field, and then pressing the **DUP** key.

ITEM NUMBER [?]. Required. Type in the number of the item issued.

WHSE (Warehouse Code). Required if you have multiple warehouses defined in the Warehouse Master file. Type in the code of the warehouse where this item is stored. If you have only one warehouse, this field does not appear.

QUANTITY. Required. Type in the quantity issued.

U/M (Unit of Measure). The stocking unit of measure. Type in a value or leave this field blank. If you leave the U/M field blank, the stocking unit of measure in the Item Master file is used.

REFERENCE. Type in a user-defined value to be used for reference purposes only. It is printed on the Inventory Transaction Register report (AMV3G).

REASON. Type in a code that explains the reason for this transaction. This code is assigned by your company.

DATE. Type in the date of this transaction. If you leave this field blank, the transaction date entered on display AMI3D01 is used.

LOCATION [?]. Required if you are using a controlled warehouse. A physical storage point within the warehouse. The stock location of the item, as stored in the Location Detail file. If your system is set up to use a default location, you can leave this field blank and the stocking location (WHSLC) from the Item Balance file will be used.

BATCH/LOT. Required if batch/lot control was selected during application tailoring, and it applies to this item. Type in the batch or lot number.

FIFO DATE (First-In-First-Out Date). Appears and is required only if the FIFO date integrity option was chosen during application tailoring. Type in the date when the item was received in stock, whether approved or unapproved. The default is the transaction date.

Contents	Index	Exit
--------------------------	-----------------------	----------------------

AMI3D07B—Inventory Transaction—Miscellaneous Issue (IS) (Review)

Use this display to change previously entered Miscellaneous Issue transactions that were added to the transaction file in batch update mode. It appears only if batch update was selected during application tailoring.

This display appears when you select **F05 CHANGE**, while reviewing a Miscellaneous Issue transaction on either the Inventory Transaction – Summary Review (Review) display (AMI3D31R), or the Inventory Transaction – Detail Review display (AMI3D32R).

This display also appears when you select **F02 PAGE FORWARD** or **F03 PAGE BACKWARD** on display AMI3D07B, and the next or the previous transaction is also a Miscellaneous Issue transaction.

```

DATE **/**/**          INVENTORY TRANSACTION          REVIEW  AMI3D07B **
                        MISCELLANEOUS ISSUE (IS)
                        ITEM NUMBER  WHSE  QUANTITY  U/M
                        aaaaaaaaaA15 aA3  nnnnnnn.nnn  A2

REFERENCE  REASON  DATE          LOCATION BATCH/LOT  FIFO DATE
aaaaaaaaA10  aaaaA6  nnnnnn          aaaaaA7  aaaaaaA10  nnnnnn
-----

```

```

F02 PAGE FORWARD
F03 PAGE BACKWARD
F09 REVIEW ALL
F10 RETURN TO SELECT
F17 ACCEPT W/ERROR
F20 DELETE RECORD

```

What to do

To change a transaction, type in the information you need to change and press **Enter**. The transaction is processed. Any changes made are checked for possible errors. Then either the next or the previous transaction in the batch appears, depending on whether you page forward or backward.

- If it is the same type transaction, display AMI3D07B appears again.
- If it is a different type transaction, the Inventory Transaction – Detail Review (Review) display (AMI3D32R) appears.

Function keys

F02 PAGE FORWARD causes the next transaction in the batch to appear. If it is the same type transaction, display AMI3D07B appears. If it is a different type transaction, the Inventory Transaction – Detail Review (Review) display (AMI3D32R) appears.

Contents	Index	Exit
--------------------------	-----------------------	----------------------

F03 PAGE BACKWARD causes the previous transaction in the batch to appear. If it is the same type transaction, display AMI3D07B appears. If it is a different type transaction, the Inventory Transaction – Detail Review (Review) display (AMI3D32R) appears.

F09 REVIEW ALL causes the Inventory Transaction – Summary Review (Review) display (AMI3D31R) to appear, so you can review a summary of the next or the previous group of transactions in the batch, depending on whether you were paging forward or backward.

F10 RETURN TO SELECT causes the Inventory Transaction – Transaction Selection (Select) display (AMI3D01) to appear again so you can enter additional transactions.

F17 ACCEPT W/ERROR accepts any transactions shown with error (E) messages and flags them as error transactions. You must correct these transactions before the Inventory Transaction Register report (AMV3G) is printed.

F20 DELETE RECORD causes the Miscellaneous Issue transaction shown to be deleted. Either the next or the previous transaction in the batch appears, depending on whether you were paging forward or backward. If it is the same type transaction, display AMI3D07B appears. If it is a different type transaction, the Inventory Transaction – Detail Review (Review) display (AMI3D32R) appears.

Note: F17 is not required if only warning (W) messages appear.

Fields

Any of the fields shown can be changed, or the entire Miscellaneous Issue transaction can be deleted using this display. Refer to “AMI3D07E—Inventory Transaction–Miscellaneous Issue (IS) (Enter)” for an explanation of the fields on this display.

[Contents](#)[Index](#)[Exit](#)

AMI3D07I—Inventory Transaction—Miscellaneous Issue (IS) (Review)

Use this display to review or reverse previously entered Miscellaneous Issue transactions that were added to the transaction file in immediate update mode. It only appears if immediate update was selected during application tailoring.

This display appears when you select **F05 CHANGE**, while reviewing a Miscellaneous Issue transaction, on either the Inventory Transaction – Summary Review (Review) display (AMI3D31R), or the Inventory Transaction – Detail Review (Review) display (AMI3D32R).

This display also appears when you select **F02 PAGE FORWARD** or **F03 PAGE BACKWARD** on display AMI3D07I and the next or the previous transaction is also a Miscellaneous Issue transaction.

Note: When you are reviewing a batch that was loaded from an offline file, display AMI3D07B appears instead of this display.

DATE **/**/**	INVENTORY TRANSACTION			REVIEW	AMI3D07I **
REV	ITEM NUMBER	WHSE	QUANTITY	MISCELLANEOUS ISSUE (IS)	
A	*****	***	*****	***	**
REFERENCE	REASON	DATE	LOCATION	BATCH/LOT	FIFO DATE
*****	*****	*****	*****	*****	*****

<p style="text-align: right;">F02 PAGE FORWARD F03 PAGE BACKWARD F09 REVIEW ALL F10 RETURN TO SELECT</p>					

What to do

To reverse a transaction, type **R** in the **REV** field and press **Enter**. The transaction shown on the display is reversed. Then, either the next or the previous transaction in the batch appears, depending on whether you page forward or backward.

- If it is the same type transaction, the AMI3D07I display appears again.
- If it is a different type transaction, the Inventory Transaction – Detail Review (Review) display (AMI3D32R) appears.

To correct an unapplied transaction (REV=U) type E (Error) or A (Active) in the **REV** field and press **Enter**. If you typed A in the **REV** field, the master files are updated. Then, either the next or the previous transaction in the batch appears, depending on whether you page forward or backward.

- If it is the same type transaction, the AMI3D07I display appears again.

- If it is a different type transaction, the Inventory Transaction – Detail Review (Review) display (AMI3D32R) appears.

Function keys

F02 PAGE FORWARD causes the next transaction in the batch to appear. If it is the same type transaction, display AMI3D07I appears. If it is a different type transaction, the Inventory Transaction – Detail Review (Review) display (AMI3D32R) appears.

F03 PAGE BACKWARD causes the previous transaction in the batch to appear. If it is the same type transaction, display AMI3D07I appears. If it is a different type transaction, the Inventory Transaction – Detail Review (Review) display (AMI3D32R) appears.

F09 REVIEW ALL causes the Inventory Transaction – Summary Review (Review) display (AMI3D31R) to appear, so you can review a summary of the next or the previous group of transactions in the batch, depending on whether you were paging forward or backward.

F10 RETURN TO SELECT causes the Inventory Transaction – Transaction Selection (Select) display (AMI3D01) to appear again so you can make additional transactions.

Fields

Of the fields shown, only the optional **REV** field can be typed in. All other fields are informational only. To change any of these fields, you must reverse this Miscellaneous Issue transaction with the reversal code described below and retype it using display AMI3D07E.

Note: Refer to “AMI3D07E—Inventory Transaction–Miscellaneous Issue (IS) (Enter)” for an explanation of these fields.

REV (Reversal Code). This field contains one of the following codes:

- A** Active. This code appears for valid transactions. If you type in R, the transaction is reversed, and the master files are changed back as they were previously. The Inventory Transaction Register (AMV3G) shows the transaction as deleted.
- R** Reversed. If you type in A, this transaction is reactivated.
- E** Error. This code appears for a transaction entered in immediate update mode that was not accepted because of an error.
- U** Unapplied. This code appears for transactions processed while in immediate update mode, that were not accepted because of errors. Transactions with code U must be changed to E (accept with error) or A (reactivate) before the batch can be closed. If you change U to E, no master files are updated.

Contents	Index	Exit
--------------------------	-----------------------	----------------------

AMI3D08E—Inventory Transaction—Unplanned Component Issue (IU) (Enter)

Use this display to add a component to a manufacturing order and create an issue transaction. This transaction is used when a bill of material is not up to date and does not have a needed component as part of the product structure. The transaction can also be used to add new or different components to a rework order, for special tooling, or to add consumable supplies to an order. An unplanned issue has no effect on allocation quantities unless the required quantity is greater than the issue quantity. This transaction is similar to the Miscellaneous Issue (IS) transaction, except that it applies the issue to an order.

This display appears, if manufacturing order tracking is supported, when you select option 7 or transaction code IU on display AMI3D01. You can enter only one Unplanned Component Issue transaction on this display.

You can use this display to enter a needed component to a manufacturing order, as well as to issue the component to the order. You can also use this display to enter a component to a rework order or to enter special tooling or consumable supplies to an order.

```

DATE **/**/**                INVENTORY TRANSACTION          ENTER   AMI3D08E **
                                UNPLANNED COMPONENT ISSUE (IU)
                                ORDER      ITEM NUMBER  WHSE    QUANTITY  U/M    SEQ NO.
                                aaaaaA7   aaaaaaaaaA15 aA3    nnnnnnn.nnn A2     aaA4

                                REFERENCE  REASON    DATE    LOCATION  BATCH/LOT  FIFO DATE
                                aaaaaaaA10 aaaaA6   nnnnnn  aaaaaA7   aaaaaaaA10 nnnnnn
-----
DESCRIPTION                    aaaaaaaaaaaaaaaaaaaaaaaaaA30
TOTAL QUANTITY                 nnnnnnnn.nnn
ADJ QTY PER                    nnnnnnnn.nnnnnnn
STD QTY PER                    nnnnnnnn.nnnnnnn
REQUIRED DATE                  nnnnnn
OPERATION USED                 aaA4

                                F09 REVIEW ALL
                                F10 RETURN TO SELECT
    
```

What to do

To enter transactions, type in the information you need for each transaction and press **Enter**.

- If one or more error messages appear, the transactions cannot be processed. You must change them, or use **F17** to accept them with error.
- If only information or warning messages appear, press **Enter** again to process the transactions shown. If the transactions are not correct, you should change them before pressing **Enter** again.

Contents	Index	Exit
--------------------------	-----------------------	----------------------

- If there are no errors, the transactions shown are processed and display AMI3D08E appears again so you can enter additional transactions.

Function keys

F09 REVIEW ALL causes the Inventory Transaction – Summary Review (Review) display (AMI3D31R) to appear so you can review a summary of the last 12 transactions in the batch.

F10 RETURN TO SELECT causes the Inventory Transaction – Transaction Selection (Select) display (AMI3D01) to appear again so you can select another type transaction.

Fields

[?] appears next to a field name in the following field definitions to identify a field from which you can begin a master file search.

The fields at the top of the display are used to create the issue transaction. The fields at the bottom of the display are used to add the component to the manufacturing order.

ORDER (Order Number) [?]. Required. Type in the number of the manufacturing order to which the component item is being issued.

ITEM NUMBER [?]. Required. Type in the item number of the component issued.

WHSE (Warehouse Code). Required if you have multiple warehouses defined in the Warehouse Master file. Type in the code of the warehouse where this item is stored. If you have only one warehouse, this field does not appear.

QUANTITY. Required. Type in the quantity issued to the manufacturing order.

U/M (Unit of Measure). The stocking unit of measure. Type in a value or leave this field blank. If you leave the U/M field blank, the stocking unit of measure in the Item Master file is used.

SEQ NO. (Sequence Number). Type in the user-assigned sequence number assigned to the component when it is added to the Manufacturing Order Detail file. This field appears only if user sequence numbers are supported in PDM.

REFERENCE. Type in a user-defined value to be used for reference purposes only. It is printed on the Inventory Transaction Register report (AMV3G).

REASON. Type in a code that explains the reason for this transaction. This code is assigned by your company.

DATE. Type in the date of this transaction. If you leave this field blank, the transaction date entered on display AMI3D01 is used.

LOCATION [?]. Required if you are using a controlled warehouse. A physical storage point within the warehouse. The stock location of the item, as stored in the Location Detail file. If your system is set up to use a default location, you can leave this field blank and the stocking location (WHSLC) from the Item Balance file will be used.

Contents	Index	Exit
--------------------------	-----------------------	----------------------

BATCH/LOT. Required if the batch/lot control option was selected during application tailoring, and it applies to this item. Type in the batch or lot number.

FIFO DATE (First-In-First-Out Date). Appears and is required only if the FIFO date integrity option was chosen during application tailoring. Type in the date when the item was received in stock, whether approved or unapproved. The default is the transaction date.

DESCRIPTION. Either type in a description of the item issued or leave this field blank. If you leave it blank, the application uses the description from the Item Master file.

Notes:

1. When printing the Inventory Transaction Register (AMV3G), the application always uses the description from Item Master file.
2. Use only one of the **TOTAL QUANTITY** and **ADJ QTY PER** fields unless the order has a quantity deviation.
3. If the total quantity value is entered, this is the total number of this component required for this order.
4. If the adjusted quantity per value is entered, the total quantity ordered of the parent item is multiplied by the quantity per value to calculate the total quantity for this component item for this order.
5. If a quantity deviation has been entered for an order, you must enter both the total quantity and adjusted quantity per values.
6. If both **TOTAL QUANTITY** and **ADJ QTY PER** are zero, a warning message appears. Pressing **Enter** to accept the warning causes the **TOTAL QUANTITY** and **ADJ QTY PER** to be set to zero when the component is added to the order. Subsequent Pick Complete by Order (PC) transactions entered with a transaction quantity for this order will show this component with a pending issue of zero.

TOTAL QUANTITY. Type in the total component quantity for this order.

ADJ QTY PER. Type in the adjusted quantity per of this component used in each parent item.

STD QTY PER. If the Backflush code is 1 (adjusted quantity per), the standard quantity per field is not used. Type in the standard quantity per of this component used in each parent item. If the Backflush code for the item on this order is 2 (standard quantity per), you can enter a standard quantity per that is different from the adjusted quantity per. When the component is backflushed, the standard quantity per will be used. If you backflush at standard, you must account for material used in excess of the standard quantity using scrap transactions. If you leave this field blank, the application sets the standard quantity per to equal the adjusted quantity per. This field is required only for controlled floor stock items with a backflush code of 2 (backflush at standard).

REQUIRED DATE. Type in the date this specific component is required. If no date is entered, the start date of the order is used as the required date for the component.

OPERATION USED. Type in the sequence number of the first operation in which this component is used.

Contents	Index	Exit
--------------------------	-----------------------	----------------------

AMI3D08B—Inventory Transaction—Unplanned Component Issue (IU) (Review)

Use this display to change previously entered Unplanned Component Issue transactions that were added to the transaction file in batch update mode. It appears only if batch update was selected during application tailoring.

This display appears when you select **F05 CHANGE**, while reviewing an Unplanned Component Issue transaction, on either the Inventory Transaction – Summary Review (Review) display (AMI3D31R) or the Inventory Transaction – Detail Review (Review) display (AMI3D32R).

This display also appears when you select **F02 PAGE FORWARD** or **F03 PAGE BACKWARD** on display AMI3D08B, and the next or the previous transaction is also an Unplanned Component Issue transaction.

```

DATE **/**/**          INVENTORY TRANSACTION          REVIEW  AMI3D08B **
                        UNPLANNED COMPONENT ISSUE (IU)
ORDER  ITEM NUMBER  WHSE  QUANTITY  U/M  SEQ NO.
aaaaaA7  aaaaaaaaaA15  aA3  nnnnnnn.nnn  A2  aaA4

REFERENCE  REASON  DATE  LOCATION  BATCH/LOT  FIFO DATE
aaaaaaaaA10  aaaaA6  nnnnnn  aaaaaA7  aaaaaaaA10  nnnnnn
-----
DESCRIPTION          aaaaaaaaaaaaaaaaaaaaaaaaaA30
TOTAL QUANTITY      nnnnnnnnn.nnn
ADJ QTY PER         nnnnnnnnn.nnnnnnn
STD QTY PER         nnnnnnnnn.nnnnnnn
REQUIRED DATE       nnnnnn
OPERATION USED      aaA4

F02 PAGE FORWARD
F03 PAGE BACKWARD
F09 REVIEW ALL
F10 RETURN TO SELECT
F20 DELETE RECORD
    
```

What to do

To change a transaction, type in the information you need to change and press **Enter**. The transaction is processed. Any changes made are checked for possible errors. Then either the next or the previous transaction in the batch appears, depending on whether you page forward or backward.

- If it is the same type transaction, display AMI3D08B appears again.
- If it is a different type transaction, the Inventory Transaction – Detail Review (Review) display (AMI3D32R) appears.

Function keys

F02 PAGE FORWARD causes the next transaction in the batch to appear. If it is the same type transaction, display AMI3D08B appears. If it is a different type

Contents	Index	Exit
--------------------------	-----------------------	----------------------

transaction, the Inventory Transaction – Detail Review (Review) display (AMI3D32R) appears.

F03 PAGE BACKWARD causes the previous transaction in the batch to appear. If it is the same type transaction, display AMI3D08B appears. If it is a different type transaction, the Inventory Transaction – Detail Review (Review) display (AMI3D32R) appears.

F09 REVIEW ALL causes the Inventory Transaction – Summary Review (Review) display (AMI3D31R) to appear so you can review a summary of the next or the previous group of transactions in the batch depending on whether you were paging forward or backward.

F10 RETURN TO SELECT causes the Inventory Transaction – Transaction Selection (Select) display (AMI3D01) to appear again so you can enter additional transactions.

F20 DELETE RECORD causes the Unplanned Component Issue transaction to be deleted. Either the next or the previous transaction in the batch appears, depending on whether you were paging forward or backward. If it is the same type transaction, display AMI3D08B appears. If it is a different type transaction, the Inventory Transaction – Detail Review (Review) display (AMI3D32R) appears.

Fields

Any of the fields shown can be changed, or the entire Unplanned Component Issue transaction can be deleted using this display. Refer to “AMI3D08E—Inventory Transaction–Unplanned Component Issue (IU) (Enter)” for an explanation of the fields on this display.

Contents	Index	Exit
--------------------------	-----------------------	----------------------

AMI3D08I—Inventory Transaction—Unplanned Component Issue (IU) (Review)

Use this display to review previously entered Unplanned Component Issue transactions that were added to the transaction file in immediate update mode. It appears only if you selected immediate update during application tailoring.

This display appears when you select **F05 CHANGE**, while reviewing an Unplanned Component Issue transaction, on either the Inventory Transaction – Summary Review (Review) display (AMI3D31R), or the Inventory Transaction – Detail Review (Review) display (AMI3D32R).

This display also appears when you select **F02 PAGE FORWARD** or **F03 PAGE BACKWARD** on display AMI3D08I and the next or the previous transaction is also an Unplanned Component Issue transaction.

Note: When you are reviewing a batch that was loaded from an offline file, display AMI3D08B appears instead of this display.

DATE **/**/**	INVENTORY TRANSACTION					REVIEW	AMI3D08I **
	ORDER	ITEM NUMBER	WHSE	QUANTITY	U/M	SEQ NO.	
	*****	*****	***	*****	**	*****	
REFERENCE	REASON	DATE	LOCATION	BATCH/LOT	FIFO DATE		
*****	*****	*****	*****	*****	*****	*****	

DESCRIPTION	*****						
TOTAL QUANTITY	*****						
ADJ QTY PER	*****						
STD QTY PER	*****						
REQUIRED DATE	*****						
OPERATION USED	****						
							F02 PAGE FORWARD
							F03 PAGE BACKWARD
							F09 REVIEW ALL
							F10 RETURN TO SELECT

What to do

To view another unplanned component issue, press **Enter**. Either the next or the previous transaction in the batch appears, depending on whether you page forward or backward.

- If it is the same transaction type, display AMI3D08I appears.
- If it is a different transaction type, the Inventory Transaction – Detail Review (Review) display (AMI3D32R) appears.

Contents	Index	Exit
--------------------------	-----------------------	----------------------

Function keys

F02 PAGE FORWARD causes the next transaction in the batch to appear. If it is the same transaction type, display AMI3D08I appears. If it is a different transaction type, the Inventory Transaction – Detail Review (Review) display (AMI3D32R) appears.

F03 PAGE BACKWARD causes the previous transaction in the batch to appear. If it is the same transaction type, display AMI3D08I appears. If it is a different transaction type, the Inventory Transaction – Detail Review (Review) display (AMI3D32R) appears.

F09 REVIEW ALL causes the Inventory Transaction – Summary Review (Review) display (AMI3D31R) to appear so you can review a summary of the next or the previous group of transactions in the batch, depending on whether you were paging forward or backward.

F10 RETURN TO SELECT causes the Inventory Transaction – Transaction Selection (Select) display (AMI3D01) to appear again so you can type in additional transactions.

Fields

All of the fields on this display are informational only. Refer to “AMI3D08E—Inventory Transaction–Unplanned Component Issue (IU) (Enter)” for an explanation of these fields.

Note: If you need to reverse this transaction, use a negative Planned Manufacturing Issue transaction to reverse the total quantity issued to date, and use Manufacturing Order Detail file maintenance to delete the component from the order.

Contents	Index	Exit
--------------------------	-----------------------	----------------------

AMI3D09E—Inventory Transaction—Interwarehouse Transfer (TW) (Enter)

Use this display to complete both the issue and receipt of an item during an interwarehouse transfer. This transaction decreases the quantity on hand in the sending warehouse and increases the quantity on hand at the receiving warehouse. This single transaction (TW) can be used in place of using both the Interwarehouse Issue (IW) and Interwarehouse Receipt (RW) transactions.

Note: When the quantity being transferred is waiting to be inspected, the on hand balance is not increased or decreased. However, a QC transaction that approves the quantity affects the on hand balance at that time.

The transaction amount for the issue is calculated by multiplying the standard, average, or last cost (based on an application tailoring option) from the Item Balance file for the issuing warehouse by the transfer quantity. The transaction amount for the receipt is the calculated issue cost if the transaction amount for the interwarehouse transfer was not typed in; otherwise, it is the amount typed in.

The reference field should be used to tie the issue and receipt together. The reference information prints on the Inventory Transaction Register as an aid in identifying associated interwarehouse issues and receipts.

When the receipt is entered, an option allows you to check for orders that have shortages of the item received. If you take the option, the Dispatch Materials Inquiry display (AMI3D28E) appears, which shows you where shortages exist in manufacturing or customer orders.

An intrawarehouse transfer is used to change the location of an item in the same warehouse. This transaction decreases the quantity on hand in the sending location and increases the quantity on hand in the receiving location. The date when quantity on hand was last affected is updated also.

Intrawarehouse transfers can also be performed through COM as follows:

- When an IW transaction record is processed, and there is a discrete allocation for the order and item, the allocation record is removed or reduced from the Allocated Quantity (SLALLO) file. For a negative IW transaction, the discrete allocation record in the SLALLO file is updated with the transaction quantity.
- When an RW transaction record is processed, and there is a discrete allocation for the order and item for the staging location, the allocation record is increased. If there is no discrete allocation record, a record is created in the SLALLO file. For a negative RW transaction, the allocation for the order and item is removed from the SLALLO file.

Note: An intrawarehouse transaction does not update the following usage fields:

- Usage Cost (period-to-date and year-to-date)
- Usage (period-to-date and year-to-date)
- Issues (period-to-date and year-to-date)
- Receipts (period-to-date)
- Date of last issue activity.

This display appears when you select option 23 or transaction code TW on display AMI3D01.

You can process only one Interwarehouse Transfer transaction on this display.

Contents**Index****Exit**

This display appears in two parts. The top part appears first, and allows you to type in the transfer transaction.

The bottom part appears after you enter a valid transaction and press Enter. It allows reviewing or changing the issue and receipt transactions created by the transfer.

```

DATE **/**/**                INVENTORY TRANSACTION          ENTER  AMI3D09E **
                                INTERWAREHOUSE TRANSFER (TW)
ITEM NUMBER  FROM WHSE LOCATION BATCH/LOT FIFO DATE TO WHSE LOCATION
aaaaaaaaaaaaA15  aA3  aaaaaA7  aaaaaaA10  nnnnnn  aA3  aaaaaA7

QUANTITY    U/M      TRN AMT  REFERENCE  REASON  DATE
nnnnnnn.nnn nn  nnnnnnnnnn.nnn  aaaaaaA9  aaaaA6  nnnnnn
-----
ISSUE
*****
*****.* ** *****.***  aaaaaaA10  aaaaA6  nnnnnn
RECEIPT
*****
*****.* ** nnnnnnnnnn.nnn  aaaaaaA10  aaaaA6  nnnnnn

ENTER LINE NUMBER, OR 9 TO END  n

                                F09 REVIEW ALL
                                F10 RETURN TO SELECT
                                F17 ACCEPT W/ERROR

```

What to do

To enter a transaction in the top part of the display, type in the information you need for each transaction and press **Enter**.

- If one or more error messages appear, the transactions cannot be processed. You must change them, or use **F17** to accept them with error.
- If only information or warning messages appear, press **Enter** again to process the transactions shown. If the transactions are not correct, you should change them before pressing **Enter** again.
- If the issue and receipt transactions appear on the display, press **Enter**. The transactions are processed and display AMI3D09E appears again.
 - If the **SHORTAGE CHECKING** field on display AMI3D01 contains NO, or there are no potential shortages, you can enter another transaction.
 - If the **SHORTAGE CHECKING** field on display AMI3D01 contains YES, and there are potential shortages, display AMI3D09E appears again with line numbers next to the transactions you just entered so you can check shortages for those items.
 - If line numbers appear and you entered a line number to check shortages, press **Enter** again to review shortages for the requested item on the Dispatch Materials Inquiry display (AMI3D28E).
 - If line numbers appear and you enter 9 to end shortage checking and press **Enter**, display AMI3D09E appears so you can enter additional transactions.

Contents	Index	Exit
--------------------------	-----------------------	----------------------

Function keys

F09 REVIEW ALL causes the Inventory Transaction – Summary Review (Review) display (AMI3D31R) to appear so you can review a summary of the last 12 transactions in the batch.

F10 RETURN TO SELECT causes the Inventory Transaction – Transaction Selection (Select) display (AMI3D01) to appear again so you can select another transaction type.

F17 ACCEPT W/ERROR accepts any transactions shown with error (E) messages, and flags them as error transactions. You must correct these transactions before the Inventory Transaction Register report (AMV3G) is printed.

Note: F17 is not required if only warning (W) messages appear. F17 is valid only when the issue and receipt transactions are shown, and only in batch update mode.

Fields

[?] appears next to a field name in the following field definitions to identify a field from which you can begin a master file search.

The fields you type in at the top of the display are duplicated in the issue and receipt transactions at the bottom of the display when pressing **Enter**. You can then review the issue and receipt transactions before pressing **Enter** again.

ITEM NUMBER [?]. Required. Type in the number of the item transferred.

FROM WHSE (From Warehouse Code). Required. Type in the code of the issuing warehouse.

LOCATION [?]. Required if you are using a controlled warehouse. Type in the stock location of the item, as stored in the Location Detail file.

BATCH/LOT. Required if you chose the batch/lot control option during application tailoring and it applies to this item. Type in the batch or lot number.

FIFO DATE (First-In-First-Out Date). Appears and is required only if the FIFO date integrity option was selected during application tailoring. Type in the date when the batch/lot being transferred was received in stock, whether approved or unapproved. The default is the transaction date.

TO WHSE (To Warehouse Code). Required. Type in the code of the receiving warehouse.

LOCATION [?]. Type in the stock location, as stored in the Location Detail file, to which the item is being transferred. The batch/lot number and FIFO date must remain the same.

Note: If you are transferring from a non-controlled warehouse to a controlled warehouse and the batch/lot and FIFO date options were chosen, type in the batch/lot and FIFO date for the controlled warehouse in the **FROM** fields.

QUANTITY. Required. Type in the quantity transferred. The quantity updates the on hand balance and usage figures for an interwarehouse transfer; the quantity updates only the on hand balance for an intrawarehouse transfer.

Contents	Index	Exit
--------------------------	-----------------------	----------------------

U/M (Unit of Measure). Type in the stocking unit of measure or leave this field blank. If you leave the **U/M** field blank, the stocking unit of measure in the Item Master file is used.

TRN AMT (Transaction Amount). You can change this field for RECEIPT transactions. Type in the amount of this Interwarehouse Transfer transaction. This field must have the same sign (+ or -) as the **QUANTITY** field. This field is not required; however, if you do type in an amount, a Cost Adjustment (CA) will be made to the cost field in the Item Balance file.

REFERENCE. You can change this field for ISSUE and RECEIPT transactions. Type in a user-defined value to be used for reference purposes only. It is printed on the Inventory Transaction Register report (AMV3G), and serves as a link between the Interwarehouse Issue and Interwarehouse Receipt transactions.

REASON. You can change this field for ISSUE and RECEIPT transactions. Type in a code explaining the reason for this transaction. This code is assigned by your company.

DATE. You can change this field for ISSUE and RECEIPT transactions. Type in the date of this transaction. If you leave this field blank, the transaction date entered on display AMI3D01 is used.

ENTER LINE NUMBER, OR 9 TO END. This field is not shown when display AMI3D09E first appears. It appears on the display after you press **Enter** only if shortage checking was requested on AMI3D01, a potential shortage exists, and you type in a positive quantity.

To review the shortages for the item, type in the line number of the receipt. To not review shortages, or if you are finished checking shortages, type in **9**.

[Contents](#)[Index](#)[Exit](#)

AMI3D09B—Inventory Transaction—Interwarehouse Transfer (TW) (Review)

Use this display to review previously entered Interwarehouse Transfer transactions that were added to the transaction file in batch update mode. It appears only if batch update was selected during application tailoring.

This display appears when you select **F05 CHANGE**, while reviewing an Interwarehouse Transfer transaction on either the Inventory Transaction – Summary Review (Review) display (AMI3D31R), or the Inventory Transaction – Detail Review (Review) display (AMI3D32R).

This display also appears when you select **F02 PAGE FORWARD** or **F03 PAGE BACKWARD** on display AMI3D09B, and the next or the previous transaction is also an Interwarehouse Transfer transaction.

DATE **/**/**	INVENTORY TRANSACTION INTERWAREHOUSE TRANSFER (TW)					REVIEW	AMI3D09B **
ITEM NUMBER	FROM WHSE	LOCATION	BATCH/LOT	FIFO	DATE TO WHSE	LOCATION	
*****	***	*****	*****	*****	***	*****	
QUANTITY	U/M	TRN AMT	REFERENCE	REASON	DATE		
*****	**	*****	*****	*****	*****		

<p style="text-align: right;"> F02 PAGE FORWARD F03 PAGE BACKWARD F09 REVIEW ALL F10 RETURN TO SELECT </p>							

What to do

To review another transaction, press **Enter**. Either the next or the previous transaction in the batch appears, depending on whether you page forward or backward.

- If it is the same transaction type, display AMI3D09B appears.
- If it is a different transaction type, the Inventory Transaction – Detail Review (Review) display (AMI3D32R) appears.

Function keys

F02 PAGE FORWARD causes the next transaction in the batch to appear. If it is the same transaction type, display AMI3D09B appears. If it is a different transaction type, the Inventory Transaction – Detail Review (Review) display (AMI3D32R) appears.

Contents	Index	Exit
--------------------------	-----------------------	----------------------

F03 PAGE BACKWARD causes the previous transaction in the batch to appear. If it is the same transaction type, display AMI3D09B appears. If it is a different transaction type, the Inventory Transaction – Detail Review (Review) display (AMI3D32R) appears.

F09 REVIEW ALL causes the Inventory Transaction – Summary Review (Review) display (AMI3D31R) to appear so you can review a summary of the next or the previous group of transactions in the batch, depending on whether you were paging forward or backward.

F10 RETURN TO SELECT causes the Inventory Transaction – Transaction Selection (Select) display (AMI3D01) to appear again so you can enter additional transactions.

Fields

All the fields on this display are informational only. Refer to “AMI3D09E—Inventory Transaction–Interwarehouse Transfer (TW) (Enter)” for an explanation of these fields.

Note: To change any of these fields, you must page forward using **F02** to find the interwarehouse issue and interwarehouse receipt transactions that were created by this Interwarehouse Transfer transaction.

[Contents](#)[Index](#)[Exit](#)

AMI3D09I—Inventory Transaction—Interwarehouse Transfer (TW) (Review)

Use this display to review previously entered Interwarehouse Transfer transactions that were added to the transaction file in immediate update mode. It appears only if immediate update was selected during application tailoring.

This display appears when you select **F05 CHANGE**, while reviewing an Interwarehouse Transfer transaction on either the Inventory Transaction – Summary Review (Review) display (AMI3D31R), or the Inventory Transaction – Detail Review (Review) display (AMI3D32R).

This display also appears when you select **F02 PAGE FORWARD** or **F03 PAGE BACKWARD** on display AMI3D09I, and the next or the previous transaction is also an Interwarehouse Transfer transaction.

Note: When you are reviewing a batch that was loaded from an offline file, display AMI3D09B appears instead of this display.

DATE **/**/**	INVENTORY TRANSACTION				REVIEW	AMI3D09I **
	INTERWAREHOUSE TRANSFER (TW)					
ITEM NUMBER	FROM WHSE	LOCATION	BATCH/LOT	FIFO DATE	TO WHSE	LOCATION
*****	***	*****	*****	*****	***	*****
QUANTITY	U/M	TRN AMT	REFERENCE	REASON	DATE	
*****	**	*****	*****	*****	*****	

F02 PAGE FORWARD F03 PAGE BACKWARD F09 REVIEW ALL F10 RETURN TO SELECT						

What to do

To review another transaction, press **Enter**. Either the next or the previous transaction in the batch appears, depending on whether you page forward or backward.

- If it is the same transaction type, display AMI3D09I appears.
- If it is a different transaction type, the Inventory Transaction – Detail Review (Review) display (AMI3D32R) appears.

Contents	Index	Exit
--------------------------	-----------------------	----------------------

Function keys

F02 PAGE FORWARD causes the next transaction in the batch to appear. If it is the same transaction type, display AMI3D09I appears. If it is a different transaction type, the Inventory Transaction – Detail Review (Review) display (AMI3D32R) appears.

F03 PAGE BACKWARD causes the previous transaction in the batch to appear. If it is the same transaction type, display AMI3D09I appears. If it is a different transaction type, the Inventory Transaction – Detail Review (Review) display (AMI3D32R) appears.

F09 REVIEW ALL causes the Inventory Transaction – Summary Review (Review) display (AMI3D31R) to appear so you can review a summary of the next or the previous group of transactions in the batch, depending on whether you were paging forward or backward.

F10 RETURN TO SELECT causes the Inventory Transaction – Transaction Selection (Select) display (AMI3D01) to appear again so you can type in additional transactions.

Fields

All the fields on this display are informational only. Refer to “AMI3D09E—Inventory Transaction–Interwarehouse Transfer (TW) (Enter)” for an explanation of these fields.

Note: To change any of these fields, you must page forward using F02 to find the interwarehouse issue and interwarehouse receipt transactions that were created by this Interwarehouse Transfer transaction.

Contents	Index	Exit
--------------------------	-----------------------	----------------------

AMI3D10E—Inventory Transaction – Interwarehouse Issue (IW) (Enter)

Use this display to report issues to another warehouse. This transaction decreases the quantity on hand in the sending warehouse. If the quantity being transferred is waiting to be inspected, the on hand balance is not increased or decreased. A QC transaction that approves the quantity must be used to affect the on hand balance.

The Interwarehouse Receipt (RW) transaction must be used by the receiving warehouse to increase the quantity on hand at that warehouse.

This display appears when you select option 8 or transaction code IW on display AMI3D01.

You can make up to four Interwarehouse Issue transactions on this display. A history area at the top of the display shows the last valid Interwarehouse Issue transaction in the batch.

DATE **/**/**	INVENTORY TRANSACTION			ENTER	AMI3D10E **
	INTERWAREHOUSE ISSUE (IW)				
	ITEM NUMBER	WHSE	QUANTITY	U/M	
	*****	***	*****	***	**
REFERENCE	REASON	DATE	LOCATION	BATCH/LOT	FIFO DATE
*****	*****	*****	*****	*****	*****

*	aaaaaaaaaaaaA15	aA3	nnnnnnn.nnn	A2	
aaaaaaaA10	aaaaA6	nnnnnn	aaaaaA7	aaaaaaaA10	nnnnnn
*	aaaaaaaaaaaaA15	aA3	nnnnnnn.nnn	A2	
aaaaaaaA10	aaaaA6	nnnnnn	aaaaaA7	aaaaaaaA10	nnnnnn
*	aaaaaaaaaaaaA15	aA3	nnnnnnn.nnn	A2	
aaaaaaaA10	aaaaA6	nnnnnn	aaaaaA7	aaaaaaaA10	nnnnnn
*	aaaaaaaaaaaaA15	aA3	nnnnnnn.nnn	A2	
aaaaaaaA10	aaaaA6	nnnnnn	aaaaaA7	aaaaaaaA10	nnnnnn

F09 REVIEW ALL
 F10 RETURN TO SELECT
 F17 ACCEPT W/ERROR

What to do

To enter transactions, type in the information you need for each transaction and press **Enter**.

- If one or more error messages appear, the transactions cannot be processed. You must change them, or use **F17** to accept them with error.
- If only information or warning messages appear, press **Enter** again to process the transactions shown. If the transactions are not correct, you should change them before pressing **Enter** again.
- If there are no errors, the transactions shown are processed and display AMI3D10E appears again so you can enter additional transactions.
 - If the **SHORTAGE CHECKING** field on display AMI3D01 contains NO, or there are no potential shortages, you can enter another transaction.

Contents	Index	Exit
--------------------------	-----------------------	----------------------

- If the **SHORTAGE CHECKING** field on display AMI3D01 contains YES, and there are potential shortages, display AMI3D10E appears again with line numbers next to the transactions you just entered so you can check shortages for those items.
- If line numbers appear and you entered a line number to check shortages, press **Enter** again to review shortages for the requested item on the Dispatch Materials Inquiry display (AMI3D28E).
- If line numbers appear and you enter 9 to end shortage checking and press **Enter**, display AMI3D10E appears so you can enter additional transactions.

Function keys

F09 REVIEW ALL causes the Inventory Transaction – Summary Review (Review) display (AMI3D31R) to appear so you can review a summary of the last 12 transactions in the batch.

F10 RETURN TO SELECT causes the Inventory Transaction – Transaction Selection (Select) display (AMI3D01) to appear again so you can select another transaction type.

F17 ACCEPT W/ERROR accepts any transactions shown with error (E) messages and flags them as error transactions. You must correct these transactions before the Inventory Transaction Register report (AMV3G) is printed.

Note: F17 is not required if only warning (W) messages appear. F17 is only valid in batch update mode.

Fields

[?] appears next to a field name in the following field definitions to identify a field from which you can begin a master file search.

Each of the following fields appears four times on the display, once for each of the four transactions. You can duplicate any of the alphanumeric fields from the history area in the corresponding fields below the line by putting the cursor in the field and pressing the **DUP** key.

ITEM NUMBER [?]. Required. Type in the number of the item issued.

WHSE (Warehouse Code). Required if you have multiple warehouses defined in the Warehouse Master file. Type in the code of the issuing warehouse. If you have only one warehouse, this field does not appear.

QUANTITY. Required. Type in the quantity issued to another warehouse.

U/M (Unit of Measure). Type in the stocking unit of measure or leave this field blank. If you leave the **U/M** field blank, the stocking unit of measure in the Item Master file is used.

REFERENCE. Type in a user-defined value used for reference purposes only. It is printed on the Inventory Transaction Register report (AMV3G) and serves as a link to the associated Interwarehouse Receipt transaction.

Contents	Index	Exit
--------------------------	-----------------------	----------------------

REASON. Type in a code explaining the reason for this transaction. This code is assigned by your company.

DATE. Type in the date of this transaction. If you leave this field blank, the transaction date entered on display AMI3D01 is used.

LOCATION [?]. Required if you are using a controlled warehouse. Type in the stock location of the item as stored in the Location Detail file.

BATCH/LOT. Type in the batch or lot number if you chose the batch/lot control option during application tailoring, and it applies to this item.

FIFO DATE (First-In-First-Out Date). Appears and is required only if the FIFO date integrity option is selected during application tailoring. Type in the date when the batch/lot being issued was received in stock, whether approved or unapproved. The default is the transaction date.

[Contents](#)[Index](#)[Exit](#)

AMI3D10B—Inventory Transaction – Interwarehouse Issue (IW) (Review)

Use this display to change previously entered Interwarehouse Issue transactions that were added to the transaction file in batch update mode. It appears only if batch update was selected during application tailoring.

This display appears when you select **F05 CHANGE**, while you are reviewing an Interwarehouse Issue transaction on either the Inventory Transaction – Summary Review (Review) display (AMI3D31R), or the Inventory Transaction – Detail Review (Review) display (AMI3D32R).

This display also appears when you select **F02 PAGE FORWARD** or **F03 PAGE BACKWARD** on display AMI3D10B, and the next or the previous transaction is also an Interwarehouse Issue transaction.

```

DATE **/**/**          INVENTORY TRANSACTION          REVIEW   AMI3D10B **
                        INTERWAREHOUSE ISSUE (IW)
                        ITEM NUMBER  WHSE  QUANTITY  U/M
                        aaaaaaaaaA15 aA3  nnnnnnn.nnn  A2

REFERENCE  REASON  DATE          LOCATION BATCH/LOT  FIFO DATE
aaaaaaaaA10  aaaaA6  nnnnnn          aaaaaA7  aaaaaaaA10  nnnnnn
-----

```

```

F02 PAGE FORWARD
F03 PAGE BACKWARD
F09 REVIEW ALL
F10 RETURN TO SELECT
F17 ACCEPT W/ERROR
F20 DELETE RECORD

```

What to do

To change a transaction, type in the information you need to change and press **Enter**. The transaction is processed. Any changes made are checked for possible errors. Then either the next or the previous transaction in the batch appears, depending on whether you page forward or backward.

- If it is the same type transaction, display AMI3D10B appears again.
- If it is a different type transaction, the Inventory Transaction – Detail Review (Review) display (AMI3D32R) appears.

Function keys

F02 PAGE FORWARD causes the next transaction in the batch to appear. If it is the same transaction type, display AMI3D10B appears. If it is a different transaction type, the Inventory Transaction – Detail Review (Review) display (AMI3D32R) appears.

Contents	Index	Exit
--------------------------	-----------------------	----------------------

F03 PAGE BACKWARD causes the previous transaction in the batch to appear. If it is the same transaction type, display AMI3D10B appears. If it is a different transaction type, the Inventory Transaction – Detail Review (Review) display (AMI3D32R) appears.

F09 REVIEW ALL causes the Inventory Transaction – Summary Review (Review) display (AMI3D31R) to appear. This allows reviewing a summary of the next or the previous group of transactions in the batch, depending on whether you were paging forward or backward.

F10 RETURN TO SELECT causes the Inventory Transaction – Transaction Selection (Select) display (AMI3D01) to appear again so you can type in additional transactions.

F17 ACCEPT W/ERROR accepts any transactions shown with error (E) messages and flags them as error transactions. You must correct these transactions before the Inventory Transaction Register report (AMV3G) is printed.

Note: F17 is not required if only warning (W) messages appear.

F20 DELETE RECORD causes the Interwarehouse Issue transaction shown to be deleted. Either the next or the previous transaction in the batch appears, depending on whether you were paging forward or backward.

If it is the same transaction type, display AMI3D10B appears. If it is a different transaction type, the Inventory Transaction – Detail Review (Review) display (AMI3D32R) appears.

Fields

Any of the fields on this display can be changed, or the entire Interwarehouse Issue transaction can be deleted using this display. Refer to “AMI3D10E—Inventory Transaction – Interwarehouse Issue (IW) (Enter)” for an explanation of the fields on this display.

[Contents](#)[Index](#)[Exit](#)

AMI3D10I—Inventory Transaction—Interwarehouse Issue (IW) (Review)

Use this display to review or reverse previously entered Interwarehouse Issue transactions that were added to the transaction file in immediate update mode. This appears only if immediate update was selected during application tailoring.

This display appears when you select **F05 CHANGE**, while you are reviewing an Interwarehouse Issue transaction on either the Inventory Transaction – Summary Review (Review) display (AMI3D31R), or the Inventory Transaction – Detail Review (Review) display (AMI3D32R).

This display also appears when you select **F02 PAGE FORWARD** or **F03 PAGE BACKWARD** on display AMI3D10I, and the next or the previous transaction is also an Interwarehouse Issue transaction.

Note: When you are reviewing a batch that was loaded from an offline file, display AMI3D10B appears instead of this display.

DATE **/**/**	INVENTORY TRANSACTION			REVIEW	AMI3D10I **
REV	ITEM NUMBER	WHSE	QUANTITY	U/M	
A	*****	***	*****	***	
REFERENCE	REASON	DATE	LOCATION	BATCH/LOT	FIFO DATE
*****	*****	*****	*****	*****	*****

F02 PAGE FORWARD F03 PAGE BACKWARD F09 REVIEW ALL F10 RETURN TO SELECT					

What to do

To reverse a transaction, type **R** in the **REV** field and press **Enter**. The transaction shown on the display is reversed. Then, either the next or the previous transaction in the batch appears, depending on whether you page forward or backward.

- If it is the same type transaction, the AMI3D10I display appears again.
- If it is a different type transaction, the Inventory Transaction – Detail Review (Review) display (AMI3D32R) appears.

To correct an unapplied transaction (REV=U) type **E** (Error) or **A** (Active) in the **REV** field and press **Enter**. If you typed A in the **REV** field, the master files are updated. Then, either the next or the previous transaction in the batch appears, depending on whether you page forward or backward.

- If it is the same type transaction, the AMI3D10I display appears again.

Contents	Index	Exit
--------------------------	-----------------------	----------------------

- If it is a different type transaction, the Inventory Transaction – Detail Review (Review) display (AMI3D32R) appears.

Function keys

F02 PAGE FORWARD causes the next transaction in the batch to appear. If it is the same transaction type, display AMI3D10I appears. If it is a different transaction type, the Inventory Transaction – Detail Review (Review) display (AMI3D32R) appears.

F03 PAGE BACKWARD causes the previous transaction in the batch to appear. If it is the same transaction type, display AMI3D10I appears. If it is a different transaction type, the Inventory Transaction – Detail Review (Review) display (AMI3D32R) appears.

F09 REVIEW ALL causes the Inventory Transaction – Summary Review (Review) display (AMI3D31R) to appear so you can review a summary of the next or the previous group of transactions in the batch, depending on whether you were paging forward or backward.

F10 RETURN TO SELECT causes the Inventory Transaction – Transaction Selection (Select) display (AMI3D01) to appear again so you can type in additional transactions.

Fields

On this display, only the optional **REV** field can be typed in. All other fields are informational only. Refer to “AMI3D10E—Inventory Transaction – Interwarehouse Issue (IW) (Enter)” for an explanation of these fields.

To change the data in any of these fields, you must reverse this Interwarehouse Issue transaction, with the reversal code described below, and retype it using the AMI3D10E display.

REV (Reversal Code). This field contains one of the following codes:

- A** Active. This code appears for valid transactions. If you type in R, the transaction is reversed, and the master files are changed back as they were previously. The Inventory Transaction Register (AMV3G) shows the transaction as deleted.
- R** Reversed. If you type in A, this transaction is reactivated.
- E** Error. This code appears for a transaction made in immediate update mode that was not accepted because of an error.
- U** Unapplied. This code appears for transactions, made in immediate update mode, that were not accepted because of errors. Before the batch can be closed, transactions with code U must be changed to either E (accept with error), or A (reactivate). If you change U to E, no master files are updated.

[Contents](#)[Index](#)[Exit](#)

AMI3D11E—Inventory Transaction—Pick Complete by Item (PB) (Enter)

Use this display to report the pick completion of an item (bulk pick). This transaction is similar to the Pick Complete by Order (PC) transaction, except that components share a common item number rather than a common order number.

This display is used to enter the item, warehouse, and total pick quantity. After this is done, the Pick Complete by Item—Order Issues display (AMI3D12E) appears, so you can assign issues to specific manufacturing orders.

If manufacturing order tracking is supported, this display appears when you select option 9, or enter transaction code PB on display AMI3D01.

You can enter only one Pick Complete by Item transaction on this display.

DATE **/**/**	INVENTORY TRANSACTION PICK COMPLETE BY ITEM (PB)			ENTER	AMI3D11E **
	ITEM NUMBER	WHSE	PICK QTY		
	aaaaaaaaaaaA15	aA3	nnnnnnn.nnn		
REFERENCE	REASON	DATE	LOCATION	BATCH/LOT	FIFO DATE
aaaaaaaA10	aaaaA6	nnnnnn	aaaaaA7	aaaaaaaA10	nnnnnn

F09 REVIEW ALL F10 RETURN TO SELECT					

What to do

To enter transactions, type in the information you need for each transaction and press **Enter**.

- If one or more error messages appear, the transactions cannot be processed. You must change them, or use **F17** to accept them with error.
- If only information or warning messages appear, press **Enter** again to process the transactions shown. If the transactions are not correct, you should change them before pressing **Enter** again.
- If there are no errors, the transactions shown are processed and display AMI3D11E appears again so you can enter additional transactions.

Function keys

F09 REVIEW ALL causes the Inventory Transaction – Summary Review (Review) display (AMI3D31R) to appear so you can review a summary of the last 12 transactions in the batch.

F10 RETURN TO SELECT causes the Inventory Transaction – Transaction Selection (Select) display (AMI3D01) to appear again so you can select another transaction type.

Fields

[?] appears next to a field name in the following field definitions to identify a field from which you can begin a master file search.

ITEM NUMBER [?]. Required. Type in the number of the component item picked.

WHSE (Warehouse Code). Required if you have multiple warehouses defined in the Warehouse Master file type in the code of the warehouse where this item is stored. If you have only one warehouse, this field does not appear.

PICK QTY (Pick Quantity). Required. Type in the total quantity reported picked for all orders. You have to distribute this quantity to the manufacturing orders on the Pick Complete by Item – Order Issues display (AMI3D12E) that follows this display.

REFERENCE. Type in a user-defined value used for reference purposes only. It is printed on the Inventory Transaction Register report (AMV3G).

REASON. Type in a code explaining the reason for this transaction. This code is assigned by your company.

DATE. Type in the date of this transaction. If you leave this field blank, the transaction date entered on display AMI3D01 is used.

LOCATION [?]. Required if you are using a controlled warehouse. A physical storage point within the warehouse. The stock location of the item, as stored in the Location Detail file. If your system is set up to use a default location, you can leave this field blank and the stocking location (WHSLC) from the Item Balance file will be used.

BATCH/LOT. Appears and is required only if the batch/lot control option was selected during application tailoring, and if it applies to this item. Type in the batch or lot number.

FIFO DATE (First-In-First-Out Date). Appears only if the FIFO date integrity option was selected during application tailoring. Type in the date when the batch/lot being picked was received in stock, whether approved or unapproved. The default is the transaction date.

[Contents](#)[Index](#)[Exit](#)

AMI3D11B—Inventory Transaction—Pick Complete by Item (PB) (Review)

Use this display to change previously entered Pick Complete by Item transactions that were added to the transaction file in batch update mode. It appears only if batch update was selected during application tailoring.

This display appears when you select **F05 CHANGE**, while reviewing a Pick Complete by Item transaction on either the Inventory Transaction – Summary Review (Review) display (AMI3D31R), or the Inventory Transaction – Detail Review (Review) display (AMI3D32R).

This display also appears when you select **F02 PAGE FORWARD** or **F03 PAGE BACKWARD** on display AMI3D11B and the next or the previous transaction is also a Pick Complete by Item transaction.

DATE **/**/**	INVENTORY TRANSACTION PICK COMPLETE BY ITEM (PB)			REVIEW	AMI3D11B **
	ITEM NUMBER	WHSE	PICK QTY		
	*****	***	*****		
REFERENCE	REASON	DATE	LOCATION	BATCH/LOT	FIFO DATE
*****	*****	*****	*****	*****	*****

<p style="text-align: right;">F02 PAGE FORWARD F03 PAGE BACKWARD F09 REVIEW ALL F10 RETURN TO SELECT</p>					

What to do

To change a transaction, type in the information you need to change and press **Enter**. The transaction is processed. Any changes made are checked for possible errors. Then either the next or the previous transaction in the batch appears, depending on whether you page forward or backward.

- If it is the same type transaction, display AMI3D11B appears again.
- If it is a different type transaction, the Inventory Transaction – Detail Review (Review) display (AMI3D32R) appears.

Function keys

F02 PAGE FORWARD causes the next transaction in the batch to appear. If it is the same transaction type, display AMI3D11B appears. If it is a different transaction type, the Inventory Transaction – Detail Review (Review) display (AMI3D32R) appears.

Contents	Index	Exit
--------------------------	-----------------------	----------------------

F03 PAGE BACKWARD causes the previous transaction in the batch to appear. If it is the same transaction type, display AMI3D11B appears. If it is a different transaction type, the Inventory Transaction – Detail Review (Review) display (AMI3D32R) appears.

F09 REVIEW ALL causes the Inventory Transaction – Summary Review (Review) display (AMI3D31R) to appear. This allows you to review a summary of the next or the previous group of transactions in the batch, depending on whether you were paging forward or backward.

F10 RETURN TO SELECT causes the Inventory Transaction – Transaction Selection (Select) display (AMI3D01) to appear again so you can type in additional transactions.

F20 DELETE RECORD causes the Pick Complete by Item transaction and the associated Planned Manufacturing Issue transactions to be deleted. Either the next or the previous transaction in the batch appears, depending on whether you were paging forward or backward.

If it is the same transaction type, the AMI3D11B display appears. If it is a different transaction type, the Inventory Transaction – Detail Review (Review) display (AMI3D32R) appears.

Fields

On this display, only the **REFERENCE** and **REASON** fields can be changed. Refer to “AMI3D11E—Inventory Transaction–Pick Complete by Item (PB) (Enter)” for an explanation of these fields.

To change the other fields, you must page forward using **F02** to find the Planned Manufacturing Issue transactions that were created by this Pick Complete by Item transaction. Refer to “AMI3D06B—Inventory Transaction–Planned Manufacturing Issue (IP) (Review)” for information on changing fields on that display.

[Contents](#)[Index](#)[Exit](#)

AMI3D11I—Inventory Transaction—Pick Complete by Item (PB) (Review)

Use this display to review previously entered Pick Complete by Item transactions that were added to the transaction file in immediate update mode. It appears only if immediate update was selected during application tailoring.

This display appears when you select **F05 CHANGE**, and you are reviewing a Pick Complete by Item transaction on either the Inventory Transaction – Summary Review (Review) display (AMI3D31R), or the Inventory Transaction – Detail Review (Review) display (AMI3D32R).

This display also appears when you select **F02 PAGE FORWARD** or **F03 PAGE BACKWARD** on display AMI3D11I and the next or the previous transaction is also a Pick Complete by Item transaction.

Note: When you are reviewing a batch that was loaded from an offline file, display AMI3D11B appears instead of this display.

DATE **/**/**	INVENTORY TRANSACTION PICK COMPLETE BY ITEM (PB)			REVIEW	AMI3D11I **
	ITEM NUMBER	WHSE	PICK QTY		
	*****	***	*****		
REFERENCE	REASON	DATE	LOCATION	BATCH/LOT	FIFO DATE
*****	*****	*****	*****	*****	*****

F02 PAGE FORWARD F03 PAGE BACKWARD F09 REVIEW ALL F10 RETURN TO SELECT					

What to do

To review another transaction, press **Enter**. Either the next or the previous transaction in the batch appears, depending on whether you page forward or backward.

- If it is the same transaction type, display AMI3D11I appears.
- If it is a different transaction type, the Inventory Transaction – Detail Review (Review) display (AMI3D32R) appears.

Function keys

F02 PAGE FORWARD causes the next transaction in the batch to appear. If it is the same transaction type, display AMI3D11I appears. If it is a different transaction type, the Inventory Transaction – Detail Review (Review) display (AMI3D32R) appears.

Contents	Index	Exit
--------------------------	-----------------------	----------------------

F03 PAGE BACKWARD causes the previous transaction in the batch to appear. If it is the same transaction type, display AMI3D11I appears. If it is a different transaction type, the Inventory Transaction – Detail Review (Review) display (AMI3D32R) appears.

F09 REVIEW ALL causes the Inventory Transaction – Summary Review (Review) display (AMI3D31R) to appear. You can review a summary of the next or the previous group of transactions in the batch, depending on whether you were paging forward or backward.

F10 RETURN TO SELECT causes the Inventory Transaction – Transaction Selection (Select) display (AMI3D01) to appear again so you can make additional transactions.

Fields

All the fields on this display are informational only. Refer to “AMI3D11E—Inventory Transaction–Pick Complete by Item (PB) (Enter)” for an explanation of these fields.

Note: To change any of these fields, you must reverse the Pick Complete by Item transaction and retype it. To reverse the Pick Complete by Item transaction, page forward using **F02** and reverse the Planned Manufacturing Issue transactions created by this Pick Complete by Item. Then you can retype the correct Pick Complete by Item transaction.

Contents	Index	Exit
--------------------------	-----------------------	----------------------

AMI3D12E—Inventory Transaction—Pick Complete by Item (PB)—Order Issues (Enter)

Use this display to distribute the total quantity picked to individual manufacturing orders. The pick quantity must be distributed to the individual order records until the sum of the pending issue equals the pick quantity.

This transaction cannot be entered offline because of the interactive nature of displaying orders and responding with pick exceptions.

This display has three main parts. The lines at the top of the display identify the component item, the pick quantity, and the pending quantity. The lines in the middle of the display identify the manufacturing orders requiring the component as well as issues reported. An entry line at the bottom of the display allows changing the quantity picked for any of these orders.

This display appears when you press **Enter** on display AMI3D11E.

DATE **/**/**		INVENTORY TRANSACTION				ENTER		AMI3D12E **
		PICK COMPLETE BY ITEM (PB) - ORDER ISSUES						
ITEM NUMBER	WHSE	PICK QTY	PEND QTY	LOCATION	BATCH/LOT	FIFO DATE		
*****	***	*****	***	*****	*****	*****		

LINE NO.	ORDER NO.	ORDER QTY	SEQ. NO.	U/M	QTY REQ'D	ISSUED TO-DATE	PENDING ISSUES	
*	*****	*****	***	****	**	*****	***	*****
*	*****	*****	***	****	**	*****	***	*****
*	*****	*****	***	****	**	*****	***	*****
*	*****	*****	***	****	**	*****	***	*****
*	*****	*****	***	****	**	*****	***	*****
*	*****	*****	***	****	**	*****	***	*****

ENTER EXCEPTIONS:								
	LINE NO. n		QTY PICKED	nnnnnnn.nnn		F02 PAGE FORWARD		
						F03 PAGE BACKWARD		
						F06 IGNORE CHANGES		
						F08 ACCEPT CHANGES		

What to do

To change a quantity shown, type in the line number and the new quantity and press **Enter**.

- If you type numbers in the **LINE NO.** and **QTY PICKED** fields, display AMI3D12E appears again, with an updated **PENDING ISSUES** column and with blanks in the **LINE NO.** and **QTY PICKED** fields to allow entry of another exception quantity.
- If you did not type in the **LINE NO.** and **QTY PICKED** fields, display AMI3D12E appears again, with the next or the previous page of components, depending on whether you page forward or backward.

Function keys

F02 PAGE FORWARD causes the next page of manufacturing orders requiring this component to appear if MORE appears at the bottom of the display. If END appears, the first page of orders appears.

F03 PAGE BACKWARD causes the previous page of manufacturing orders requiring this component to appear, unless the first page is shown.

F06 IGNORE CHANGES causes the Pick Complete by Item transaction to be rejected and display AMI3D11E to appear again.

F08 ACCEPT CHANGES creates Planned Manufacturing Issue transactions in the transaction file based on the pending issues quantity on each line and causes display AMI3D11E to appear again.

Fields

The **ITEM NUMBER**, **WHSE**, **PICK QTY**, **LOCATION**, **BATCH/LOT**, and **FIFO DATE** fields (at the top of this display) were entered on the AMI3D11E display. Refer to "AMI3D11E—Inventory Transaction—Pick Complete by Item (PB) (Enter)" for a description of those fields. The other fields are described below.

PEND QTY (Pending Quantity). A running total of the issues. This total must match the total quantity picked before the transaction is completed.

LINE NO. The sequence number of orders shown on the display.

ORDER NO. The number of a manufacturing order requiring the item picked.

ORDER QTY (Order Quantity). The original quantity required for this manufacturing order.

SEQ. NO. The sequence number of that record in the Manufacturing Order Detail file if there is more than one record for the component on this order.

U/M (Unit of Measure). The stocking unit of measure for the component.

QTY REQ'D (Quantity Required). The quantity of the component originally required to complete this order.

ISSUED TO-DATE. The quantity of the component already issued to this order.

PENDING ISSUES. The value you type in **QTY PICKED**.

LINE NO. Required. Type in the line number of the order for which you want to enter the quantity picked.

QTY PICKED (Quantity Picked). Required. Type in the actual quantity picked. When pressing **Enter**, this value is placed in the **PENDING ISSUES** column.

[Contents](#)[Index](#)[Exit](#)

AMI3D13E—Inventory Transaction—Pick Complete by Order (PC) (Enter)

Use this display to report that all components of an order have been completely picked or that components have been partially picked. This display is used to enter the order number, warehouse, and the pick quantity. After this is done, the Pick Complete by Order—Component Item Issues display (AMI3D14E) appears so you can adjust individual issues, if required.

If manufacturing order tracking is supported, this display appears when you select option 10 or enter transaction code PC on display AMI3D01.

You can enter only one Pick Complete by Order transaction on this display.

DATE **/**/**	INVENTORY TRANSACTION			ENTER	AMI3D13E **
	PICK COMPLETE BY ORDER (PC)				
ORDER	ITEM NUMBER	WHSE	PICK QTY		
aaaaaA7	aaaaaaaaaaaaA15	aA3	nnnnnnn.nnn		
	REFERENCE	REASON	DATE		
	aaaaaaaA10	aaaaA6	nnnnnn		

F09 REVIEW ALL F10 RETURN TO SELECT					

What to do

To enter transactions, type in the information you need for each transaction and press **Enter**.

- If one or more error messages appear, the transactions cannot be processed. You must change them, or use **F17** to accept them with error.
- If only information or warning messages appear, press **Enter** again to process the transactions shown. If the transactions are not correct, you should change them before pressing **Enter** again.
- If there are no errors, the transactions shown are processed and display AMI3D13E appears again so you can enter additional transactions.

Function keys

F09 REVIEW ALL causes the Inventory Transaction – Summary Review (Review) display (AMI3D31R) to appear. This allows you to review a summary of the last 12 transactions in the batch.

Contents	Index	Exit
--------------------------	-----------------------	----------------------

F10 RETURN TO SELECT causes the Inventory Transaction – Transaction Selection (Select) display (AMI3D01) to appear again so you can select another transaction type.

Fields

[?] appears next to a field name in the following field definitions to identify a field from which you can begin a master file search.

ORDER (Order Number) [?]. Required. Type in the number of the manufacturing order for which the component items are being picked. The order you enter must not be closed or canceled. (The order status must be less than 45, material complete.)

ITEM NUMBER [?]. Required. Type in the number of the parent item on this order.

WHSE (Warehouse Code). Appears and is required if you defined multiple warehouses in the Warehouse Master file. Type in the code of the warehouse where this item is stored.

PICK QTY (Pick Quantity). Type in the pick quantity only if you want each component issue calculated by multiplying the pick quantity by the quantity per of each component. Leave this field blank if you want each component issue set equal to the component unissued quantity. (That is the quantity required minus the quantity issued to-date.) The component issues appear on the Pick Complete by Order (PC) – Component Item Issues display (AMI3D14E) that follows this display.

Note: The pick quantity will not be used to calculate component issue quantities for components with discrete allocations.

REFERENCE. Type in a user-defined value used for reference purposes only. It is printed on the Inventory Transaction Register report (AMV3G).

REASON. Type in a code explaining the reason for this transaction. This is a user-assigned code.

DATE. Type in the date of this transaction. If you leave this field blank, the transaction date entered on display AMI3D01 is used.

Contents	Index	Exit
--------------------------	-----------------------	----------------------

AMI3D13B—Inventory Transaction—Pick Complete by Order (PC) (Review)

Use this display to change previously entered Pick Complete by Order transactions that were added to the transaction file in batch update mode. It appears only if batch update was selected during application tailoring.

This display appears when you select **F05 CHANGE**, while reviewing a Pick Complete by Order transaction on either the Inventory Transaction – Summary Review (Review) display (AMI3D31R), or the Inventory Transaction – Detail Review (Review) display (AMI3D32R).

This display also appears when you select **F02 PAGE FORWARD** or **F03 PAGE BACKWARD** on display AMI3D13B, and the next or the previous transaction is also a Pick Complete by Order transaction.

DATE **/**/**	INVENTORY TRANSACTION			REVIEW	AMI3D13B **
	PICK COMPLETE BY ORDER (PC)				
ORDER	ITEM NUMBER	WHSE	PICK QTY		
*****	*****	***	*****		
	REFERENCE	REASON	DATE		
	aaaaaaaA10	aaaaA6	*****		

<p style="text-align: right;"> F02 PAGE FORWARD F03 PAGE BACKWARD F09 REVIEW ALL F10 RETURN TO SELECT F20 DELETE RECORD </p>					

What to do

To change a transaction, type in the information you need to change and press **Enter**. The transaction is processed. Any changes made are checked for possible errors. Then either the next or the previous transaction in the batch appears, depending on whether you page forward or backward.

- If it is the same type transaction, display AMI3D13B appears again.
- If it is a different type transaction, the Inventory Transaction – Detail Review (Review) display (AMI3D32R) appears.

Function keys

F02 PAGE FORWARD causes the next transaction in the batch to appear. If it is the same transaction type, display AMI3D13B appears. If it is a different transaction

Contents	Index	Exit
--------------------------	-----------------------	----------------------

type, the Inventory Transaction – Detail Review (Review) display (AMI3D32R) appears.

F03 PAGE BACKWARD causes the previous transaction in the batch to appear. If it is the same transaction type, display AMI3D13B appears. If it is a different transaction type, the Inventory Transaction – Detail Review (Review) display (AMI3D32R) appears.

F09 REVIEW ALL causes the Inventory Transaction – Summary Review (Review) display (AMI3D31R) to appear so you can review a summary of the next or the previous group of transactions in the batch depending, on whether you were paging forward or backward.

F10 RETURN TO SELECT causes the Inventory Transaction – Transaction Selection (Select) display (AMI3D01) to appear again so you can enter additional transactions.

F20 DELETE RECORD causes the Pick Complete by Order transaction and the associated Planned Manufacturing Issue transactions to be deleted. Either the next or the previous transaction in the batch appears, depending on whether you were paging forward or backward.

If it is the same transaction type, display AMI3D13B appears. If it is a different transaction type, the Inventory Transaction – Detail Review (Review) display (AMI3D32R) appears.

Fields

Only the **REFERENCE** and **REASON** fields can be changed on this display. Refer to “AMI3D13E—Inventory Transaction–Pick Complete by Order (PC) (Enter)” for an explanation of these fields.

Note: To change the other fields, you must page forward using F02 to find the Planned Manufacturing Issue transactions that were created by this Pick Complete by Order transaction. Refer to “AMI3D06B—Inventory Transaction–Planned Manufacturing Issue (IP) (Review)” for information on changing fields on that display.

[Contents](#)[Index](#)[Exit](#)

AMI3D13I—Inventory Transaction—Pick Complete by Order (PC) (Review)

Use this display to review previously entered Pick Complete by Order transactions that were added to the transaction file in immediate update mode. It appears only if immediate update was selected during application tailoring.

This display appears when you select **F05 CHANGE**, while you are reviewing a Pick Complete by Order transaction on either the Inventory Transaction – Summary Review (Review) display (AMI3D31R), or the Inventory Transaction – Detail Review (Review) display (AMI3D32R).

This display also appears when you select **F02 PAGE FORWARD** or **F03 PAGE BACKWARD** on display AMI3D13I, and the next or the previous transaction is also a Pick Complete by Order transaction.

Note: When you are reviewing a batch that was loaded from an offline file, display AMI3D13B appears instead of this display.

```

DATE **/**/**                INVENTORY TRANSACTION                REVIEW  AMI3D13I **
                                PICK COMPLETE BY ORDER (PC)
                                ORDER      ITEM NUMBER  WHSE      PICK QTY
                                *****
                                *****
                                REFERENCE  REASON     DATE
                                *****
                                *****
                                -----
                                F02 PAGE FORWARD
                                F03 PAGE BACKWARD
                                F09 REVIEW ALL
                                F10 RETURN TO SELECT

```

What to do

To review another transaction, press **Enter**. Either the next or the previous transaction in the batch appears, depending on whether you page forward or backward.

- If it is the same transaction type, display AMI3D13I appears.
- If it is a different transaction type, the Inventory Transaction – Detail Review (Review) display (AMI3D32R) appears.

Function keys

F02 PAGE FORWARD causes the next transaction in the batch to appear. If it is the same transaction type, display AMI3D13I appears. If it is a different transaction type, the Inventory Transaction – Detail Review (Review) display (AMI3D32R) appears.

Contents	Index	Exit
--------------------------	-----------------------	----------------------

F03 PAGE BACKWARD causes the previous transaction in the batch to appear. If it is the same transaction type, display AMI3D13I appears. If it is a different transaction type, the Inventory Transaction – Detail Review (Review) display (AMI3D32R) appears.

F09 REVIEW ALL causes the Inventory Transaction – Summary Review (Review) display (AMI3D31R) to appear so you can review a summary of the next or the previous group of transactions in the batch depending on whether you were paging forward or backward.

F10 RETURN TO SELECT causes the Inventory Transaction – Transaction Selection (Select) display (AMI3D01) to appear again so you can type in additional transactions.

Fields

All the fields on this display are informational only. Refer to “AMI3D13E—Inventory Transaction–Pick Complete by Order (PC) (Enter)” for an explanation of these fields.

Note: To change any of these fields, you must reverse the Pick Complete by Order transaction and retype it. To reverse the Pick Complete by Order transaction, enter the Pick Complete by Order transaction again with a negative quantity. Then you can enter the correct Pick Complete by Order transaction.

Contents	Index	Exit
----------	-------	------

AMI3D14E—Inventory Transaction—Pick Complete by Order (PC)—Component Item Issues (Enter)

Use this display to adjust individual component issues for a manufacturing order. The display lists allocated component items for the order as well as items already reported as issued. If the extended issue quantity is other than the pick quantity, exceptions must be entered. If you are using location control, each item on the display must be assigned a location before the transaction can be completed. You also need batch/lot numbers and FIFO dates if these options are active. If location, batch/lot and FIFO date were entered as part of the discrete allocation function, these transactions appear for review.

This display has three main parts: The top of the display identifies the order, the parent item, the pick quantity, and the open quantity. The lines in the middle of the display identify the component items allocated for the order as well as issues reported. An entry line at the bottom of the display allows changing the quantity picked for any of these components.

This display appears when you press **Enter** on display AMI3D13E.

```

DATE 01/05/**                INVENTORY TRANSACTION                ENTER    AMI3D14E WO
                                PICK COMPLETE BY ORDER (PC) - COMPONENT ITEM ISSUES
ORDER  ITEM NUMBER  WHSE  PICK QTY  OPEN QTY  STATUS
*****  *****  ***  *****  *****  **

-----
LINE COMPONENT  WHSE WHSE  SEQ. U/M      QTY  ISSUED  PENDING
NO.  ITEM NUMBER  LOC  NO.          REQ'D TO DATE  ISSUES
* *****  ***  *****  **** *  *****  ***  *****  ***
* *****  ***  *****  **** *  *****  ***  *****  ***
* *****  ***  *****  **** *  *****  ***  *****  ***
* *****  ***  *****  **** *  *****  ***  *****  ***
* *****  ***  *****  **** *  *****  ***  *****  ***
* *****  ***  *****  **** *  *****  ***  *****  ***
* *****  ***  *****  **** *  *****  ***  *****  ***
* *****  ***  *****  **** *  *****  ***  *****  ***
-----
ENTER EXCEPTIONS:
LINE NO.  n  QTY PICK nnnnnn.nnn  LOCATION aaaaaA7  F02 PAGE FORWARD
          BATCH/LOT aaaaaaA10 FIFO DATE nnnnnn  F03 PAGE BACKWARD
                                          F06 IGNORE CHANGES
                                          F08 UPDATE/CONTINUE
    
```

What to do

To change a quantity shown, type in the line number, the new quantity, and any other information you need, and press **Enter**.

- If you type numbers in the **LINE NO.** and **QTY PICKED** fields, display AMI3D14E appears again, with an updated **PENDING ISSUES** column and with blanks in the **LINE NO.** and **QTY PICKED** fields to allow entry of another exception quantity.
- If you did not type in the **LINE NO.** and **QTY PICKED** fields, display AMI3D14E appears again, with the next or the previous page of components, depending on whether you page forward or backward.

Function keys

F02 PAGE FORWARD causes the next page of components on this manufacturing order to appear if MORE appears at the bottom of the display. If END appears, the first page of components appears.

F03 PAGE BACKWARD causes the previous page of components on this manufacturing order to appear unless the first page is already shown.

F06 IGNORE CHANGES causes the Pick Complete by Order transaction to be rejected, and display AMI3D13E to appear again.

F08 ACCEPT CHANGES creates Planned Manufacturing Issue transactions in the transaction file based on the **PENDING ISSUES** quantity on each line and causes display AMI3D13E to appear again. If errors exist in the component item location, display AMI3D14L appears.

Fields

[?] appears next to a field name in the following field definitions to identify a field from which you can begin a master file search.

The data in the first four fields at the top of the display was entered on display AMI3D13E. Refer to "AMI3D13E—Inventory Transaction—Pick Complete by Order (PC) (Enter)" for a description of those fields.

OPEN QTY (Open Quantity). The remaining quantity yet to be received into stock on the order. (ORQTY + QTDEV - QTSP - QTSCP - QTYRC). If yield is applied to the order, actual scrap is not subtracted from the order until it exceeds the planned order scrap.

STATUS. One of the following six codes used to indicate the current status of the manufacturing order:

- 10** Released, but no activity reported.
- 40** Order started; material, outside operations, labor, machine, or miscellaneous charges transaction processed.
- 45** IP material receipt to stock has been reported as complete. PC&C has not reported the order as complete (outside operations, labor, machine, and miscellaneous charges).
- 50** PC&C has reported the order as complete (outside operations, labor, machine, and miscellaneous charges); IP material receipt to stock has not been reported as complete.
- 55** Order complete; includes all material, outside operations, labor, machine, and miscellaneous charges.
- 99** Order canceled; no activity has been reported.

LINE NO. The sequence number of component items shown.

COMPONENT ITEM NUMBER [?]. The number of a component item on this order.

Contents	Index	Exit
--------------------------	-----------------------	----------------------

WHSE (Warehouse Code). If you have multiple warehouses defined in the Warehouse Master file, type in the code of the warehouse where this component is stored. If you have only one warehouse, this field does not appear.

WHSE LOC (Warehouse Location). The user-defined code from the Item Balance file that defines the location of this item within the warehouse. If your system is set up to use a default location, the stocking location (WHSLC) from the Item Balance file appears in this field. If the item has a discrete allocation, ALLOC appears in this field.

SEQ. NO.. The sequence number of that record in the Manufacturing Order Detail file if there is more than one record for this component on the order.

U/M (Unit of Measure). The stocking unit of measure for this component.

QTY REQ'D (Quantity Required). The quantity of this component originally required to complete the order.

ISSUED TO-DATE. The quantity of this component already issued to the order.

PENDING ISSUES. If you type in the quantity pick value for this component, this field contains the value you type in the **QTY PICK** field.

If you did not type in the quantity pick value, but you type in the pick quantity value on display AMI3D13E, this field contains the value of pick quantity times the quantity per value.

If you did not type in **QTY PICK** or **PICK QTY**, this field contains the value **QTY REQ'D** minus **ISSUED TO-DATE**.

Notes:

1. If discrete allocations exist for the component, **PENDING ISSUES** shows the quantity allocated using Discrete Allocations, and it cannot be changed. If multiple discrete allocation records exist for a single component, that component appears on this display once for each discrete allocation. To change the Discrete Allocations, use the Discrete Allocations option from the Transaction Processing menu (AMIM30).
2. If a component was added to this order with a total quantity and quantity per of zero, this field will be zero if you typed information in the **PICK QTY** field on display AMI3D13E. If you do not want to issue this component, use **F08**, and an IP transaction will not be generated for the component. If you did not type information in the PICK QTY field on display AMI3D13E, the **PENDING ISSUES** field will contain a negative quantity. If you do not want to issue this component, enter zero for the quantity picked.

LINE. Required for an exception. Type in the line number of the component for which you want to change the quantity picked. The line number you enter in this field appears to the left of **COMPONENT ITEM NUMBER**.

QTY PICK (Quantity Picked). Required for an exception. Type in the actual quantity picked. When you press **Enter**, this value is placed in the **PENDING ISSUES** column.

LOCATION [?]. A physical storage point within the warehouse. The stock location of the item, as stored in the Location Detail file. If you are using a controlled warehouse, this field is required.

Contents	Index	Exit
--------------------------	-----------------------	----------------------

BATCH/LOT. Type in the batch or lot number if you chose the batch/lot control option during application tailoring, and it applies to this item.

FIFO DATE (First-In-First-Out Date). Appears only if the FIFO date integrity option was chosen during application tailoring. Type in the date when the item was received in stock, whether approved or unapproved. The default is the transaction date.

[Contents](#)[Index](#)[Exit](#)

AMI3D14L—Inventory Transaction—Pick Complete by Order (PC)—Component Item Issues (Enter)

Use this display to enter valid location information for Pick Complete by Order transactions and for Production Receipt transactions.

This display appears when you are performing a Pick Complete by Order transaction and you press **F08** on display AMI3D14E, but the location information for a component item is incorrect or missing.

This display also appears when you are performing a Production Receipt transaction and select **F08** on display AMI3D27E, but no stock exists in the WIP area for a controlled floor stock item.

The top of the display identifies the order, the parent item, the pick quantity, and the open quantity. The second part of the display identifies the component item number, the warehouse code, and the quantity picked. The entry line below that allows typing in the location, batch/lot number, and/or FIFO date for the component item with an invalid or unassigned location.

```

DATE **/**/**          INVENTORY TRANSACTION          ENTER    AMI3D14L **
                        PICK COMPLETE BY ORDER (PC) - COMPONENT ITEM ISSUES
ORDER  ITEM NUMBER    WHSE  PICK QTY    OPEN QTY  STATUS
*****  *****      ***  *****.*  *****.*
-----
ITEM *****          WHSE ***  QTY PICKED  *****.*
LOCATION aaaaaA7  BATCH/LOT aaaaaA10  FIFO DATE nnnnnn

F06 IGNORE CHANGES
F08 ACCEPT CHANGES
F17 ACCEPT W/ERROR

```

What to do

To enter valid location information, type in the necessary information press **Enter**. The Pick Complete by Order – Component Item Issues display (AMI3D14L) appears again.

Function keys

F06 IGNORE CHANGES causes one of the following to occur:

- If you are entering a Pick Complete by Order transaction, the transaction is rejected and display AMI3D13E appears.

Contents	Index	Exit
--------------------------	-----------------------	----------------------

- If you are entering a Production Receipt transaction, the transaction is rejected and display AMI3D18E appears.

F08 ACCEPT CHANGES creates Planned Manufacturing Issue transactions in the transaction file based on the pending issues quantity and causes display AMI3D14L to appear again until no more transactions exist for processing. Then display AMI3D13E appears. If warning messages appear, use **F08** to accept the transaction.

F17 ACCEPT W/ERROR accepts any transactions shown with error (E) messages and flags them as error transactions. You must correct these transactions before the Inventory Transaction Register report (AMV3G) is printed.

Note: **F17** is not required if only warning (W) messages appear. If **F17** is used when warning messages appear, the Planned Issue (IP) transactions will be marked as error transactions. If the warning message should be processed, use **F08** to accept the changes. **F17** will be allowed in both immediate and batch update mode and will be used to mark IP transactions as errors.

Fields

[?] appears next to a field name in the following field definitions to identify a field from which you can begin a master file search.

LOCATION [?]. Type in the stock location of the item, as stored in the Location Detail file. This field is required if you are using a controlled warehouse.

BATCH/LOT. Type in the batch or lot number if you chose the batch/lot control option during application tailoring, and it applies to this item.

FIFO DATE (First-In-First-Out Date). Appears only if the FIFO date integrity option was selected during application tailoring. Type in the date when the item was received in stock, whether approved or unapproved. The default is the transaction date.

Contents	Index	Exit
--------------------------	-----------------------	----------------------

AMI3D15E—Inventory Transaction—Miscellaneous Receipt (RC) (Enter)

Use this display to report receipts for items that do not have open orders. No order quantities are updated when this transaction is used to report a receipt. Any items requiring inspection upon receipt are not put into stock. A QC transaction that approves the quantity must be used to affect the on hand balance.

Note: To receive miscellaneous items, use the Miscellaneous Item Transactions display (AMINB1).

This display appears when you select option 11 or enter transaction code RC on display AMI3D01.

You can make up to four Miscellaneous Receipt transactions on this display. A history area at the top of the display shows the last valid Miscellaneous Receipt transaction entered in the batch.

DATE **/**/**	INVENTORY TRANSACTION				ENTER	AMI3D15E **
	ITEM NUMBER	WHSE	QUANTITY	U/M	TRN AMT	VENDOR
*****	*****	***	*****	**	*****	*****
REFERENCE	REASON	DATE	LOCATION	BATCH/LOT	FIFO DATE	
*****	*****	*****	*****	*****	*****	

* aaaaaaaA10	aaaaaaaaaaaaA15 aaaaA6	aA3 nnnnnn	nnnnnnn.nnn aaaaA7	A2 aaaaaaaA10	nnnnnnnnnn.nnnn nnnnnn	aaaaA6
* aaaaaaaA10	aaaaaaaaaaaaA15 aaaaA6	aA3 nnnnnn	nnnnnnn.nnn aaaaA7	A2 aaaaaaaA10	nnnnnnnnnn.nnnn nnnnnn	aaaaA6
* aaaaaaaA10	aaaaaaaaaaaaA15 aaaaA6	aA3 nnnnnn	nnnnnnn.nnn aaaaA7	A2 aaaaaaaA10	nnnnnnnnnn.nnnn nnnnnn	aaaaA6
* aaaaaaaA10	aaaaaaaaaaaaA15 aaaaA6	aA3 nnnnnn	nnnnnnn.nnn aaaaA7	A2 aaaaaaaA10	nnnnnnnnnn.nnnn nnnnnn	aaaaA6
ENTER LINE NUMBER, OR 9 TO END n						
				F09 REVIEW ALL F10 RETURN TO SELECT F17 ACCEPT W/ERROR		

What to do

To enter transactions, type in the information you need for each transaction and press **Enter**.

- If one or more error messages appear, the transactions cannot be processed. You must change them, or use **F17** to accept them with error.
- If only information or warning messages appear, press **Enter** again to process the transactions shown. If the transactions are not correct, you should change them before pressing **Enter** again.
- If there are no errors, the transactions shown are processed and display AMI3D15E appears again so you can enter additional transactions.
 - If the **SHORTAGE CHECKING** field on display AMI3D01 contains NO, or there are no potential shortages, you can enter another transaction.

Contents	Index	Exit
--------------------------	-----------------------	----------------------

- If the **SHORTAGE CHECKING** field on display AMI3D01 contains YES, and there are potential shortages, display AMI3D15E appears again with line numbers next to the transactions you just entered so you can check shortages for those items.
- If line numbers appear and you entered a line number to check shortages, press **Enter** again to review shortages for the requested item on the Dispatch Materials Inquiry display (AMI3D28E).
- If line numbers appear and you enter 9 to end shortage checking and press **Enter**, display AMI3D15E appears so you can enter additional transactions.

Function keys

F09 REVIEW ALL causes the Inventory Transaction – Summary Review (Review) display (AMI3D31R) to appear so you can review a summary of the last 12 transactions in the batch.

F10 RETURN TO SELECT causes the Inventory Transaction – Transaction Selection (Select) display (AMI3D01) to appear again so you can select another transaction type.

F17 ACCEPT W/ERROR accepts any transactions shown with error (E) messages and flags them as error transactions. You must correct these transactions before the Inventory Transaction Register report (AMV3G) is printed.

Note: F17 is not required if only warning (W) messages appear. F17 is only valid in batch update mode.

Fields

[?] appears next to a field name in the following field definitions to identify a field from which you can begin a master file search.

Each of the following fields appears four times on the display, once for each of the four transactions. You can duplicate any of the alphanumeric fields from the history area in the corresponding fields below the line by putting the cursor in the field, and pressing the **DUP** key.

ITEM NUMBER [?]. Required. Type in the number of the item received.

WHSE (Warehouse Code). Required if you have multiple warehouses defined in the Warehouse Master file. Type in the code of the warehouse where this item is stored. If you have only one warehouse, this field does not appear.

QUANTITY. Required. Type in the quantity received.

U/M (Unit of Measure). Type in the stocking unit of measure or leave this field blank. If you leave this field blank, the stocking unit of measure in the Item Master file is used.

TRN AMT (Transaction Amount). Type in the amount of this Miscellaneous Receipt transaction. This field must have the same sign (+ or -) as the **QUANTITY** field. This field is not required; however, if you do type in an amount, a Cost Adjustment (CA) will be made to the cost field in the Item Balance file.

Contents	Index	Exit
--------------------------	-----------------------	----------------------

VENDOR. Type in the number of the vendor supplying this item to print the number on the Inventory Transaction Register report (AMV3G).

REFERENCE. Type in a user-defined value used for reference purposes only. It is printed on the Inventory Transaction Register report (AMV3G).

REASON. Type in a code explaining the reason for this transaction. This is a user-assigned code.

DATE. Type in the date of this transaction. If you leave this field blank, the transaction date entered on display AMI3D01 is used.

LOCATION [?]. A physical storage point within the warehouse. The stock location of the item, as stored in the Location Detail file. If you are using a controlled warehouse, this field is required. If your system is set up to use a default location and this is not an inspection-on-receipt item, you can leave this field blank and the stocking location (WHSLC) from the Item Balance file will be used.

BATCH/LOT. Type in the batch or lot number if you chose the batch/lot control option during application tailoring, and it applies to this item.

FIFO DATE (First-In-First-Out Date). Appears only if the FIFO date integrity option was selected application tailoring. Type in the date when the item was received in stock, whether approved or unapproved. The default is the transaction date.

Enter LINE NUMBER, OR 9 TO END. This field does not appear when display AMI3D15E first appears. It appears on the display after you press **Enter** only if you requested shortage checking on AMI3D01, a potential shortage exists, and you type in a positive quantity.

To review the shortages for an item, type in the line number of the item. To skip review of shortages, or if you are finished checking shortages, type in **9**.

[Contents](#)[Index](#)[Exit](#)

AMI3D15B—Inventory Transaction—Miscellaneous Receipt (RC) (Review)

Use this display to change previously entered Miscellaneous Receipt transactions that were added to the transaction file in batch update mode. It appears only if batch update was selected during application tailoring.

This display appears when you select **F05 CHANGE**, while reviewing a Miscellaneous Receipt transaction on either the Inventory Transaction – Summary Review (Review) display (AMI3D31R), or the Inventory Transaction – Detail Review (Review) display (AMI3D32R).

This display also appears when you select **F02 PAGE FORWARD** or **F03 PAGE BACKWARD** on display AMI3D15B, and the next or the previous transaction is also a Miscellaneous Receipt transaction.

```

DATE **/**/**          INVENTORY TRANSACTION          REVIEW  AMI3D15B **
                        MISCELLANEOUS RECEIPT (RC)
                        ITEM NUMBER  WHSE  QUANTITY  U/M          TRN AMT  VENDOR
                        aaaaaaaaaA15 aA3  nnnnnnn.nnn  A2  nnnnnnnnnnn.nnnn  aaaaA6

REFERENCE  REASON  DATE          LOCATION BATCH/LOT  FIFO DATE
aaaaaaaaA10  aaaaA6  nnnnnn          aaaaaA7  aaaaaaA10  nnnnnn
-----

```

```

F02 PAGE FORWARD
F03 PAGE BACKWARD
F09 REVIEW ALL
F10 RETURN TO SELECT
F17 ACCEPT W/ERROR
F20 DELETE RECORD

```

What to do

To change a transaction, type in the information you need to change and press **Enter**. The transaction is processed. Any changes made are checked for possible errors. Then either the next or the previous transaction in the batch appears, depending on whether you page forward or backward.

- If it is the same type transaction, display AMI3D15B appears again.
- If it is a different type transaction, the Inventory Transaction – Detail Review (Review) display (AMI3D32R) appears.

Function keys

F02 PAGE FORWARD causes the next transaction in the batch to appear. If it is the same transaction type, display AMI3D15B appears. If it is a different transaction type, the Inventory Transaction – Detail Review (Review) display (AMI3D32R) appears.

Contents	Index	Exit
--------------------------	-----------------------	----------------------

F03 PAGE BACKWARD causes the previous transaction in the batch to appear. If it is the same transaction type, display AMI3D15B appears. If it is a different transaction type, the Inventory Transaction – Detail Review (Review) display (AMI3D32R) appears.

F09 REVIEW ALL causes the Inventory Transaction – Summary Review (Review) display (AMI3D31R) to appear so you can review a summary of the next or the previous group of transactions in the batch, depending on whether you were paging forward or backward.

F10 RETURN TO SELECT causes the Inventory Transaction – Transaction Selection (Select) display (AMI3D01) to appear again. This allows typing in additional transactions.

F17 ACCEPT W/ERROR accepts any transactions shown with error (E) messages and flags them as error transactions. You must correct these transactions before the Inventory Transaction Register report (AMV3G) is printed.

Note: F17 is not required if only warning (W) messages appear.

F20 DELETE RECORD causes the Miscellaneous Receipt transaction to be deleted. Either the next or the previous transaction in the batch appear, depending on whether you were paging forward or backward.

If it is the same transaction type, display AMI3D15B appears. If it is a different transaction type, the Inventory Transaction – Detail Review (Review) display (AMI3D32R) appears.

Fields

Refer to “AMI3D15E—Inventory Transaction–Miscellaneous Receipt (RC) (Enter)” for an explanation of the fields on this display.

Note: Any of the fields shown can be changed, or the entire Miscellaneous Receipt transaction can be deleted using this display.

[Contents](#)[Index](#)[Exit](#)

AMI3D15I—Inventory Transaction—Miscellaneous Receipt (RC) (Review)

Use this display to review or reverse previously entered Miscellaneous Receipt transactions that were added to the transaction file in immediate update mode. It appears only if immediate update was selected during application tailoring.

This display appears when you select **F05 CHANGE**, while reviewing a Miscellaneous Receipt transaction on either the Inventory Transaction – Summary Review (Review) display (AMI3D31R), or the Inventory Transaction – Detail Review (Review) display (AMI3D32R).

This display also appears when you select **F02 PAGE FORWARD** or **F03 PAGE BACKWARD** on display AMI3D15I and the next or the previous transaction is also a Miscellaneous Receipt transaction.

Note: When you are reviewing a batch that was loaded from an offline file, display AMI3D15B appears instead of this display.

```

DATE **/**/**          INVENTORY TRANSACTION          REVIEW  AMI3D15I **
                        MISCELLANEOUS RECEIPT (RC)
REV          ITEM NUMBER  WHSE  QUANTITY  U/M          TRN AMT  VENDOR
A           *****  ***  *****  **  *****  *****

REFERENCE  REASON  DATE          LOCATION  BATCH/LOT  FIFO DATE
*****  *****  *****  *****  *****  *****
-----

```

```

F02 PAGE FORWARD
F03 PAGE BACKWARD
F09 REVIEW ALL
F10 RETURN TO SELECT

```

What to do

To reverse a transaction, type **R** in the **REV** field and press **Enter**. The transaction shown on the display is reversed. Then, either the next or the previous transaction in the batch appears, depending on whether you page forward or backward.

- If it is the same type transaction, the AMI3D15I display appears again.
- If it is a different type transaction, the Inventory Transaction – Detail Review (Review) display (AMI3D32R) appears.

To correct an unapplied transaction (REV=U) type **E** (Error) or **A** (Active) in the **REV** field and press **Enter**. If you typed A in the **REV** field, the master files are updated. Then, either the next or the previous transaction in the batch appears, depending on whether you page forward or backward.

Contents	Index	Exit
--------------------------	-----------------------	----------------------

- If it is the same type transaction, the AMI3D15I display appears again.
- If it is a different type transaction, the Inventory Transaction – Detail Review (Review) display (AMI3D32R) appears.

Function keys

F02 PAGE FORWARD causes the next transaction in the batch to appear. If it is the same transaction type, display AMI3D15I appears. If it is a different transaction type, the Inventory Transaction – Detail Review (Review) display (AMI3D32R) appears.

F03 PAGE BACKWARD causes the previous transaction in the batch to appear. If it is the same transaction type, display AMI3D15I appears. If it is a different transaction type, the Inventory Transaction – Detail Review (Review) display (AMI3D32R) appears.

F09 REVIEW ALL causes the Inventory Transaction – Summary Review (Review) display (AMI3D31R) to appear so you can review a summary of the next or the previous group of transactions in the batch, depending on whether you were paging forward or backward.

F10 RETURN TO SELECT causes the Inventory Transaction – Transaction Selection (Select) display (AMI3D01) to appear again. This allows typing in additional transactions.

Fields

On this display, only the optional **REV** field can be typed in. All other fields are informational only. Refer to “AMI3D15E—Inventory Transaction–Miscellaneous Receipt (RC) (Enter)” for an explanation of these fields.

To change any of these fields you must reverse this Miscellaneous Receipt transaction with the reversal codes described below. Then retype it using display AMI3D15E.

REV (Reversal Code). This field contains one of the following codes:

- A** Active. This code appears for valid transactions. If you type in R, the transaction shown is reversed, and the master files are changed back as they were previously. The Inventory Transaction Register (AMV3G) shows the transaction as deleted.
- R** Reversed. If you type in A, this transaction is reactivated.
- E** Error. This code appears only after you have changed U to E.
- U** Unapplied. This code appears for transactions entered in immediate update mode that were not accepted because of errors. Transactions with code U must be changed to E (accept with error) or A (reactivate) before the batch can be closed. If you change U to E, no master files are updated.

Contents	Index	Exit
--------------------------	-----------------------	----------------------

AMI3D16E—Inventory Transaction—Purchase Receipt to Dock (RD) (Enter)

Use this display to report that a purchased item has been received at the dock. This transaction does not have to be used, but it can provide valuable information when following up on purchase order status.

This transaction is valid only if purchase order tracking is supported and the purchase order status field in the Purchase Order Master file does not equal 40 (complete vendor), 50 (complete buyer), or 99 (canceled).

When the receipt is entered, an option allows you to check for orders that have shortages of the item received. If you take the option, the Dispatch Materials Inquiry display (AMI3D28E) appears showing you where shortages exist in manufacturing or customer orders.

If the Purchasing application is installed and interfacing, display AMI3D34E appears instead of display AMI3D16E.

If purchase order tracking is supported and Purchasing is not installed, this display appears when you select option 12 or enter transaction code RD on display AMI3D01.

You can enter up to four Purchase Receipt to Dock transactions on this display. A history area at the top of the display shows the last valid Purchase Receipt to Dock transaction entered in the batch.

DATE **/**/**	INVENTORY TRANSACTION				ENTER	AMI3D16E **
ORDER	ITEM NUMBER	WHSE	QUANTITY	U/M	SEQ. BLK	VENDOR
*****	*****	***	*****	**	*** ****	*****
REFERENCE	REASON	DATE	GRN		GRN INV	<Y/N>
*****	*****	*****	*****			*

* aaaaaA7	aaaaaaaaaaaaA15	aA3	nnnnnnn.nnn	A2	nnn nnnn	aaaaA6
aaaaaaaA10	aaaaA6	nnnnnn	aaaaaaaaaaaaaaaaaaaaA26			A
* aaaaaA7	aaaaaaaaaaaaA15	aA3	nnnnnnn.nnn	A2	nnn nnnn	aaaaA6
aaaaaaaA10	aaaaA6	nnnnnn	aaaaaaaaaaaaaaaaaaaaA26			A
* aaaaaA7	aaaaaaaaaaaaA15	aA3	nnnnnnn.nnn	A2	nnn nnnn	aaaaA6
aaaaaaaA10	aaaaA6	nnnnnn	aaaaaaaaaaaaaaaaaaaaA26			A
* aaaaaA7	aaaaaaaaaaaaA15	aA3	nnnnnnn.nnn	A2	nnn nnnn	aaaaA6
aaaaaaaA10	aaaaA6	nnnnnn	aaaaaaaaaaaaaaaaaaaaA26			A

ENTER LINE NUMBER, OR 9 TO END n

F09 REVIEW ALL
F10 RETURN TO SELECT
F17 ACCEPT W/ERROR

What to do

To enter transactions, type in the information you need for each transaction and press **Enter**.

- If one or more error messages appear, the transactions cannot be processed. You must change them, or use **F17** to accept them with error.

Contents	Index	Exit
--------------------------	-----------------------	----------------------

- If only information or warning messages appear, press **Enter** again to process the transactions shown. If the transactions are not correct, you should change them before pressing **Enter** again.
- If there are no errors, the transactions shown are processed and display AMI3D16E appears again so you can enter additional transactions.
 - If the **SHORTAGE CHECKING** field on display AMI3D01 contains NO, or there are no potential shortages, you can enter another transaction.
 - If the **SHORTAGE CHECKING** field on display AMI3D01 contains YES, and there are potential shortages, display AMI3D16E appears again with line numbers next to the transactions you just entered so you can check shortages for those items.
 - If line numbers appear and you entered a line number to check shortages, press **Enter** again to review shortages for the requested item on the Dispatch Materials Inquiry display (AMI3D28E).
 - If line numbers appear and you enter 9 to end shortage checking and press **Enter**, display AMI3D16E appears so you can enter additional transactions.

Function keys

F09 REVIEW ALL causes the Inventory Transaction – Summary Review (Review) display (AMI3D31R) to appear so you can review a summary of the last 12 transactions in the batch.

F10 RETURN TO SELECT causes the Inventory Transaction – Transaction Selection (Select) display (AMI3D01) to appear again so you can select another transaction type.

F17 ACCEPT W/ERROR accepts any transactions shown with error (E) messages, and flags them as error transactions. You must correct these transactions before the Inventory Transaction Register report (AMV3G) is printed.

Note: F17 is not required if only warning (W) messages appear. F17 is only valid in batch update mode.

Fields

[?] appears next to a field name in the following field definitions to identify a field from which you can begin a master file search.

Each of the following fields appears four times on the display, once for each of the four transactions. You can duplicate any of the alphanumeric fields from the history area in the corresponding fields below the line by putting the cursor in the field, and pressing the **DUP**.

ORDER (Order Number) [?]. Required. Type in the number of the purchase order for this Purchase Receipt to Dock transaction.

Note: The order you enter must not be complete or canceled. (The order status must be less than 50, Complete Buyer.)

ITEM NUMBER [?]. Required. Type in the number of the item received to dock.

Note: The purchase order status of the line item must not be 50 (Item Complete).

Contents	Index	Exit
--------------------------	-----------------------	----------------------

WHSE (Warehouse Code). Required if you have multiple warehouses defined in the Warehouse Master file. Type in the code of the warehouse where this item is stored. If you have only one warehouse, this field does not appear.

QUANTITY. Required. Type in the quantity received to dock.

U/M (Unit of Measure). If the **QUANTITY** field value is expressed in purchase units, type in the purchase unit of measure. If the **QUANTITY** field value is expressed in stocking units, type in the stocking unit of measure or leave this field blank. If you leave the U/M field blank, the stocking unit of measure in the Item Master file is used.

SEQ. (Line Item Sequence). Type in the line item sequence number for miscellaneous and service items. Leave this field blank for inventory items.

BLK (Blanket Release). Type in the blanket release number if this is a blanket purchase order and to apply the receipt to a specific release.

If you leave this field blank and this is a blanket purchase order, the receipt is applied to the first open release. Any remaining quantity is applied to the next release until the quantity is fully applied.

VENDOR. Type in the number of the vendor supplying this item to print the number on the Inventory Transaction Register report (AMV3G).

REFERENCE. Type in a user-defined value used for reference purposes only. It is printed on the Inventory Transaction Register report (AMV3G).

REASON. Type in a code explaining the reason for this transaction. This code is assigned by your company.

DATE. Type in the date of this transaction. If you leave this field blank, the transaction date entered on display AMI3D01 is used.

GRN (Goods Received Note). The number of the goods received note that corresponds to a receipt. This field is user-defined and can represent a receiving ticket, a bill of lading, or an IFM invoice number. The GRN is used by the accounts payable department to check that invoiced items were actually received. This field appears only if IFM is installed and interfacing or if the IM GRN function is selected during install/tailor.

GRN INV (Goods Received Notes Invoice). This field appears only if IFM is installed and interfacing. Type in one of the following to describe the use of the GRN field:

Y GRN is an IFM invoice number
N GRN is being used to match another document, such as a bill of lading
blank GRN number is not being used. This is the default.

Enter LINE NUMBER, OR 9 TO END. This field is not shown when display AMI3D16E first appears. It appears on the display after you press Enter, only if you requested shortage checking on AMI3D01, a potential shortage exists, and you type in a positive quantity.

To review the shortages for an item, type in the line number of the item. If you do not want to review shortages or you are finished checking shortages, type in **9**.

[Contents](#)[Index](#)[Exit](#)

AMI3D16B—Inventory Transaction—Purchase Receipt to Dock (RD) (Review)

Use this display to change previously entered Purchase Receipt to Dock transactions that were added to the transaction file in batch update mode. It appears only if batch update was selected during application tailoring.

This display appears when you select **F05 CHANGE**, while reviewing a Purchase Receipt to Dock transaction on either the Inventory Transaction – Summary Review (Review) display (AMI3D31R), or the Inventory Transaction – Detail Review (Review) display (AMI3D32R).

This display also appears when you select **F02 PAGE FORWARD** or **F03 PAGE BACKWARD** on display AMI3D16B, and the next or the previous transaction is also a Purchase Receipt to Dock transaction.

```

DATE **/**/**          INVENTORY TRANSACTION          REVIEW  AMI3D16B **
                        PURCHASE RECEIPT TO DOCK (RD)
ORDER  ITEM NUMBER  WHSE  QUANTITY  U/M  SEQ.  BLK  VENDOR
aaaaA7 aaaaaaaaaA15 aA3  nnnnnnn.nnn  A2  nnn  nnnn  aaaaA6

REFERENCE  REASON  DATE          GRN          GRN INV <Y/N>
aaaaaaaA10 aaaaA6  nnnnnn      aaaaaaaaaaaaaaaaaaaaaA26  A
-----

```

```

F02 PAGE FORWARD
F03 PAGE BACKWARD
F09 REVIEW ALL
F10 RETURN TO SELECT
F17 ACCEPT W/ERROR
F20 DELETE RECORD

```

What to do

To change a transaction, type in the information you need to change and press **Enter**. The transaction is processed. Any changes made are checked for possible errors. Then either the next or the previous transaction in the batch appears, depending on whether you page forward or backward.

- If it is the same type transaction, display AMI3D16B appears again.
- If it is a different type transaction, the Inventory Transaction – Detail Review (Review) display (AMI3D32R) appears.

Function keys

F02 PAGE FORWARD causes the next transaction in the batch to appear. If it is the same transaction type, display AMI3D16B appears. If it is a different transaction

Contents	Index	Exit
--------------------------	-----------------------	----------------------

type, the Inventory Transaction – Detail Review (Review) display (AMI3D32R) appears.

F03 PAGE BACKWARD causes the previous transaction in the batch to appear. If it is the same transaction type, display AMI3D16B appears. If it is a different transaction type, the Inventory Transaction – Detail Review (Review) display (AMI3D32R) appears.

F09 REVIEW ALL causes the Inventory Transaction – Summary Review (Review) display (AMI3D31R) to appear so you can review a summary of the next or the previous group of transactions in the batch, depending on whether you were paging forward or backward.

F10 RETURN TO SELECT causes the Inventory Transaction – Transaction Selection (Select) display (AMI3D01) to appear again so you can enter additional transactions.

F17 ACCEPT W/ERROR accepts any transactions shown with error (E) messages, and flags them as error transactions. You must correct these transactions before the Inventory Transaction Register report (AMV3G) is printed.

Note: F17 is not required if only warning (W) messages appear.

F20 DELETE RECORD causes the Purchase Receipt to Dock transaction shown to be deleted. Either the next or the previous transaction in the batch appears, depending on whether you were paging forward or backward.

If it is the same transaction type, display AMI3D16B appears. If it is a different transaction type, the Inventory Transaction – Detail Review (Review) display (AMI3D32R) appears.

Fields

On this display, any of the fields shown can be changed, or the entire Purchase Receipt to Dock transaction can be deleted. Refer to “AMI3D16E—Inventory Transaction–Purchase Receipt to Dock (RD) (Enter)” for an explanation of the fields on this display.

[Contents](#)[Index](#)[Exit](#)

AMI3D16I—Inventory Transaction—Purchase Receipt to Dock (RD) (Review)

Use this display to review or reverse previously entered Purchase Receipt to Dock transactions that were added to the transaction file in immediate update mode. It appears only if immediate update was selected during application tailoring.

This display appears when you select **F05 CHANGE**, while reviewing a Purchase Receipt to Dock transaction on either the Inventory Transaction – Summary Review (Review) display (AMI3D31R), or the Inventory Transaction – Detail Review (Review) display (AMI3D32R).

This display also appears when you select **F02 PAGE FORWARD** or **F03 PAGE BACKWARD** on display AMI3D16I, and the next or the previous transaction is also a Purchase Receipt to Dock transaction.

Note: When you are reviewing a batch that was loaded from an offline file, display AMI3D16B appears instead of this display.

```

DATE **/**/**          INVENTORY TRANSACTION          REVIEW  AMI3D16I **
                        PURCHASE RECEIPT TO DOCK (RD)
REV  ORDER  ITEM NUMBER  WHSE  QUANTITY  U/M  SEQ.  BLK  VENDOR
A   *****  *****  ***  *****  **  ***  ****  *****

REFERENCE  REASON  DATE          GRN          GRN INV <Y/N>
*****  *****  *****  *****  *****
-----

```

```

F02 PAGE FORWARD
F03 PAGE BACKWARD
F09 REVIEW ALL
F10 RETURN TO SELECT

```

What to do

To reverse a transaction, type **R** in the **REV** field and press **Enter**. The transaction shown on the display is reversed. Then, either the next or the previous transaction in the batch appears, depending on whether you page forward or backward.

- If it is the same type transaction, the AMI3D16I display appears again.
- If it is a different type transaction, the Inventory Transaction – Detail Review (Review) display (AMI3D32R) appears.

To correct an unapplied transaction (REV=U) type **E** (Error) or **A** (Active) in the **REV** field and press **Enter**. If you typed A in the **REV** field, the master files are updated.

Then, either the next or the previous transaction in the batch appears, depending on whether you page forward or backward.

- If it is the same type transaction, the AMI3D16I display appears again.
- If it is a different type transaction, the Inventory Transaction – Detail Review (Review) display (AMI3D32R) appears.

Function keys

F02 PAGE FORWARD causes the next transaction in the batch to appear. If it is the same transaction type, display AMI3D16I appears. If it is a different transaction type, the Inventory Transaction – Detail Review (Review) display (AMI3D32R) appears.

F03 PAGE BACKWARD causes the previous transaction in the batch to appear. If it is the same transaction type, display AMI3D16I appears. If it is a different transaction type, the Inventory Transaction – Detail Review (Review) display (AMI3D32R) appears.

F09 REVIEW ALL causes the Inventory Transaction – Summary Review (Review) display (AMI3D31R) to appear so you can review a summary of the next or the previous group of transactions in the batch, depending on whether you were paging forward or backward.

F10 RETURN TO SELECT causes the Inventory Transaction – Transaction Selection (Select) display (AMI3D01) to appear again so you can type in additional transactions.

Fields

On this display, only the optional **REV** field can be typed in. All other fields are informational only. Refer to “AMI3D16E—Inventory Transaction–Purchase Receipt to Dock (RD) (Enter)” for an explanation of these fields.

To change any of these fields, you must reverse this Purchase Receipt to Dock transaction with the reversal code described below, and retype them on display AMI3D16E.

REV (Reversal Code). This field contains one of the following codes:

- A** Active. This code appears for valid transactions. If you type in R, the transaction shown is reversed, and the master files are changed back as they were previously. The Inventory Transaction Register (AMV3G) shows the transaction as deleted.
- R** Reversed. If you type in A, this transaction is reactivated.
- E** Error. This code appears only after you have changed U to E.
- U** Unapplied. This code appears for transactions entered in immediate update mode that were not accepted because of errors. Transactions with code U must be changed to E (accept with error) or A (reactivate) before the batch can be closed. If you change U to E, no master files are updated.

[Contents](#)[Index](#)[Exit](#)

AMI3D17E—Inventory Transaction—Purchase Receipt to Inspection (RI) (Enter)

Use this display to report that a purchased item has been moved from the dock to the inspection station.

When the item is coded in the Item Master file as requiring inspection on receipt and the purchase order is for an item stored in a controlled warehouse, you must use this transaction before you enter a QC transaction. The quantity received is placed in the specified location with a status of Waiting Inspection.

When the item does not require inspection upon receipt or when the purchase order is for an item stored in an uncontrolled warehouse, you do not have to use this transaction. However, it can provide valuable information when following up on purchase order status.

This transaction is only valid if purchase order tracking is supported and the purchase order status field in the Purchase Order Master file does not equal 40 (complete vendor), 50 (complete buyer), or 99 (canceled).

When the receipt is entered, an option allows you to check for orders that have shortages of the item received. If you take the option, the Dispatch Materials Inquiry display (AMI3D28E) appears, which shows you where shortages exist in manufacturing or customer orders.

If the Purchasing application is installed and interfacing, display AMI3D35E appears instead of display AMI3D17E.

If purchase order tracking is supported and Purchasing is not installed, this display appears when you select option 13 or enter transaction code RI on display AMI3D01.

You can enter up to four Purchase Receipt to Inspection transactions on this display. A history area at the top of the display shows you the last valid Purchase Receipt to Inspection transaction entered in the batch.

```

DATE **/**/**          INVENTORY TRANSACTION          ENTER          AMI3D17E **
                        PURCHASE RECEIPT TO INSPECTION (RI)
ORDER  ITEM NUMBER  WHSE  QUANTITY  U/M  SEQ  BLK          VENDOR
*****  *****  ***  *****  **  ****  ****  *****

REFERENCE  REASON  DATE          LOCATION BATCH/LOT  FIFO DATE
*****  *****  *****  *****  *****  *****

GRN          GRN INV <Y/N>
*****          *

-----
aaaaA7  aaaaaaaaaA15  aA3  nnnnnn.nnnn  A2  nnnn  nnnn          aaaaA6
aaaaaaaaA10  aaaaA6  nnnnnn          aaaaA7  aaaaaA10  nnnnnn
aaaaaaaaaaaaaaaaA26
          A
aaaaA7  aaaaaaaaaA15  aA3  nnnnnn.nnnn  A2  nnnn  nnnn          aaaaA6
aaaaaaaaA10  aaaaA6  nnnnnn          aaaaA7  aaaaaA10  nnnnnn
aaaaaaaaaaaaaaaaA26
          A
aaaaA7  aaaaaaaaaA15  aA3  nnnnnn.nnnn  A2  nnnn  nnnn          aaaaA6
aaaaaaaaA10  aaaaA6  nnnnnn          aaaaA7  aaaaaA10  nnnnnn
aaaaaaaaaaaaaaaaA26
          A

ENTER LINE NUMBER, OR 9 TO END  n

                                F09 REVIEW ALL
                                F10 RETURN TO SELECT
                                F17 ACCEPT W/ERROR
    
```

What to do

To enter a transaction, type in the information you need for the transaction and press **Enter**.

- If one or more error messages appear, the transaction cannot be processed. You must change it before pressing **Enter** again.
- If only information or warning messages appear, press **Enter** again to process the transaction shown. If the transaction is not correct, you should change it before pressing **Enter** again.
- If the item is defined in the Item Master file to require inspection on receipt, you must do one of the following:
 - For receipt at a controlled warehouse: After a transaction is processed, the item can be shown in the selected location. But it is not available for issue since it is not yet received in stock. You must process a quality control transaction (PQ), using display AMIQH1, to complete the receipt to stock.
 - For a receipt at an uncontrolled warehouse: An RP transaction must be processed to make the item available for issue.
- If there are no errors, the transaction shown is processed and display AMI3D17E appears again:
 - If the **SHORTAGE CHECKING** field on display AMI3D01 contains NO, or there are no potential shortages, you can enter another transaction.
 - If the **SHORTAGE CHECKING** field on display AMI3D01 contains YES, or there is a potential shortage, display AMI3D17E contains a line number next to the transaction so you can check shortages for the item.
 - If a line number appears and you type in the line number to check shortages, press **Enter** again to review shortages for the requested item on the Dispatch Materials Inquiry display (AMI3D28E).

Contents	Index	Exit
--------------------------	-----------------------	----------------------

- If a line number appears and you type in 9 to end shortage checking, and press **Enter**, display AMI3D17E appears again so you can enter another transaction.

Function keys

F09 REVIEW ALL causes the Inventory Transaction – Summary Review (Review) display (AMI3D31R) to appear so you can review a summary of the last 12 transactions in the batch.

F10 RETURN TO SELECT causes the Inventory Transaction – Transaction Selection (Select) display (AMI3D01) to appear again, so you can select another transaction type.

F17 ACCEPT W/ERROR accepts any transactions shown with error (E) messages and flags them as error transactions. You must correct these transactions before the Inventory Transaction Register report (AMV3G) is printed.

Note: **F17** is not required if only warning (W) messages appear. **F17** is only valid in batch update mode.

Fields

[?] appears next to a field name in the following field definitions to identify a field from which you can begin a master file search.

Each of the following fields appears four times on the display, once for each of the four transactions. You can duplicate any of the alphanumeric fields from the history area in the corresponding fields below the line by putting the cursor in the field, and pressing the **DUP** key.

ORDER (Order Number) [?]. Required. Type in the number of the purchase order for this Purchase Receipt to Inspection transaction. The order you enter must not be complete or canceled. (The order status must be less than 50, Complete Buyer.)

ITEM NUMBER [?]. Required. Type in the number of the item received to inspection. The purchase order status of the line item must not be 50 (Item Complete).

WHSE (Warehouse Code). Required if you have multiple warehouses defined in the Warehouse Master file. Type in the code of the warehouse where this item is stored. If you have only one warehouse, this field does not appear.

QUANTITY. Required. Type in the quantity received to inspection.

U/M (Unit of Measure). If the **QUANTITY** field value specified is in purchase units, type in the purchase unit of measure. If the **QUANTITY** field value specified is in stocking units, type in the stocking unit of measure, or leave this field blank. If you leave the U/M field blank, the stocking unit of measure in the Item Master file is used.

SEQ (Line Item Sequence). Type in the line item sequence number for miscellaneous and service items. Leave this field blank for inventory items.

BLK (Blanket Release). Type in the blanket release number if this is a blanket purchase order and you want the receipt applied to a specific release. If you leave this field blank and this is a blanket purchase order, the receipt is applied to the

Contents	Index	Exit
--------------------------	-----------------------	----------------------

oldest open release. Any remaining quantity is applied to the next oldest release(s) until the quantity is fully applied.

VENDOR. Type in the number of the vendor supplying this item if you want the number to be printed on the Inventory Transaction Register report (AMV3G).

REFERENCE. Type in a user-defined value that is to be used for reference purposes only. It is printed on the Inventory Transaction Register report (AMV3G).

REASON. Type in a code explaining the reason for this transaction. This code is assigned by your company.

DATE. Type in the date of this transaction. If you leave this field blank, the transaction date entered on display AMI3D01 is used.

The next four fields can only be entered if the warehouse is controlled.

LOCATION [?]. A physical storage point within the warehouse. The stock location of the item, as stored in the Location Detail file. If you are using a controlled warehouse and the item is Inspect on Receipt (IOR), this field is required. If this is not an IOR item or uncontrolled warehouse, leave the field blank. The item is not stored in the Location Detail file.

BATCH/LOT. Type in the batch or lot number if you chose the batch/lot control option during application tailoring, and it applies to this item.

FIFO DATE (First-In-First-Out Date). Type in the date when the item was received in stock, whether approved or unapproved. The default is the transaction date. This field appears only if the FIFO date integrity option was selected during application tailoring.

GRN (Goods Received Note). This field appears if you selected the GRN option during application tailoring or if IFM is installed and interfacing. The number of the goods received note that corresponds to a receipt. This field is user-defined and can represent a receiving ticket, a bill of lading, or an IFM invoice number. This field is used by the accounts payable department to check that invoiced items were actually received.

GRN INV (Goods Received Notes Invoice). This field appears only if IFM is installed and interfacing. Type in one of the following to describe the use of the GRN field:

- Y** GRN is an IFM invoice number
- N** GRN is being used to match another document, such as a bill of lading
- blank** GRN number is not being used. This is the default.

Enter LINE NUMBER, OR 9 TO END. This field is not shown when display AMI3D17E first appears. It appears after you press Enter, only if you requested shortage checking on display AMI3D01, a potential shortage exists, and you indicated a positive quantity.

To review the shortages for an item, type in the line number of the item you want. If you do not want to review shortages, or you are finished checking shortages, type in **9**.

[Contents](#)[Index](#)[Exit](#)

AMI3D17B—Inventory Transaction—Purchase Receipt to Inspection (RI) (Review)

Use this display to change previously entered Purchase Receipt to Inspection transactions that were entered to the transaction file in batch update mode. It appears only if batch update was selected during application tailoring.

This display appears when you select **F05 CHANGE** while reviewing a Purchase Receipt to Inspection transaction on either the Inventory Transaction – Summary Review (Review) display (AMI3D31R), or the Inventory Transaction – Detail Review (Review) display (AMI3D32R).

This display also appears when you select either **F02 PAGE FORWARD** or **F03 PAGE BACKWARD** on display AMI3D17B, and the next or the previous transaction is also a Purchase Receipt to Inspection transaction.

```

DATE **/**/**          INVENTORY TRANSACTION          REVIEW    AMI3D17B **
                        PURCHASE RECEIPT TO INSPECTION (RI)
ORDER  ITEM NUMBER  WHSE  QUANTITY  U/M  SEQ  BLK          VENDOR
aaaaaA7  aaaaaaaaaa15  aA3  nnnnnnn.nnnn  A2  nnnn  nnnn          aaaaA6

REFERENCE  REASON  DATE          LOCATION BATCH/LOT  FIFO DATE
aaaaaaaA10  aaaaA6  nnnnnn          aaaaaA7  aaaaaaaA10  nnnnnn

GRN
aaaaaaaaaaaaaaaaaaaaaaaaA26          GRN INV <Y/N>
                                      A
-----

```

```

F02 PAGE FORWARD
F03 PAGE BACKWARD
F09 REVIEW ALL
F10 RETURN TO SELECT
F17 ACCEPT W/ERROR
F20 DELETE RECORD

```

What to do

To change a transaction, type in the information you need to change and press **Enter**. The transaction is processed. Any changes made are checked for possible errors. Then either the next or the previous transaction in the batch appears, depending on whether you page forward or backward.

- If it is the same type transaction, display AMI3D17B appears again.
- If it is a different type transaction, the Inventory Transaction – Detail Review (Review) display (AMI3D32R) appears.

Function keys

F02 PAGE FORWARD causes the next transaction in the batch to appear. If it is the same transaction type, display AMI3D17B appears again. If a different transaction

Contents	Index	Exit
--------------------------	-----------------------	----------------------

type, the Inventory Transaction – Detail Review (Review) display (AMI3D32R) appears.

F03 PAGE BACKWARD causes the previous transaction in the batch to appear. If it is the same transaction type, display AMI3D17B appears again. If a different transaction type, the Inventory Transaction – Detail Review (Review) display (AMI3D32R) appears.

F09 REVIEW ALL causes the Inventory Transaction – Summary Review (Review) display (AMI3D31R) to appear so you can review a summary of the next or the previous group of transactions in the batch depending on whether you were paging forward or backward.

F10 RETURN TO SELECT causes the Inventory Transaction – Transaction Selection (Select) display (AMI3D01) to appear again so you can enter additional transactions.

F17 ACCEPT W/ERROR accepts any transactions shown with error (E) messages, and flags them as error transactions. You must correct these transactions before the Inventory Transaction Register report (AMV3G) is printed.

Note: F17 is not required if only warning (W) messages appear.

F20 DELETE RECORD causes the Purchase Receipt to Inspection transaction shown to be deleted. The next or the previous transaction in the batch appears depending on whether you were paging forward or backward.

If it is the same transaction type, display AMI3D17B appears again. If a different transaction type, the Inventory Transaction – Detail Review (Review) display (AMI3D32R) appears.

Fields

Refer to “AMI3D17E—Inventory Transaction–Purchase Receipt to Inspection (RI) (Enter)” for an explanation of the fields on this display. Any of the fields shown can be changed or the entire Purchase Receipt to Inspection transaction can be deleted using this display.

[Contents](#)[Index](#)[Exit](#)

AMI3D17I—Inventory Transaction—Purchase Receipt to Inspection (RI) (Review)

Use this display to review or reverse previously entered Purchase Receipt to Inspection transactions that were entered to the transaction file in immediate update mode. It appears only if immediate update was selected during application tailoring.

This display appears when you select **F05 CHANGE**, while reviewing a Purchase Receipt to Inspection transaction on either the Inventory Transaction – Summary Review (Review) display (AMI3D31R), or the Inventory Transaction – Detail Review (Review) display (AMI3D32R).

It also appears when you select either **F02 PAGE FORWARD** or **F03 PAGE BACKWARD** on display AMI3D17I, and the next or the previous transaction is also a Purchase Receipt to Inspection transaction.

Note: When reviewing a batch that was loaded from an offline file, display AMI3D17B appears instead of this display.

```

DATE **/**/**          INVENTORY TRANSACTION          REVIEW    AMI3D17I **
                        PURCHASE RECEIPT TO INSPECTION (RI)
REV  ORDER  ITEM NUMBER  WHSE  QUANTITY  U/M  SEQ  BLK  VENDOR
*   *      *            *    *          *   *   *   *   *
*   *      *            *    *          *   *   *   *   *

REFERENCE  REASON  DATE          LOCATION BATCH/LOT  FIFO DATE
*****    *      *          *      *      *      *      *

GRN                               GRN INV <Y/N>
*****                               *
-----

F02 PAGE FORWARD
F03 PAGE BACKWARD
F09 REVIEW ALL
F10 RETURN TO SELECT

```

What to do

To reverse a transaction, type **R** in the **REV** field and press **Enter**. The transaction shown on the display is reversed. Then, either the next or the previous transaction in the batch appears, depending on whether you page forward or backward.

- If it is the same type transaction, the AMI3D17I display appears again.
- If it is a different type transaction, the Inventory Transaction – Detail Review (Review) display (AMI3D32R) appears.

To correct an unapplied transaction (REV=U) type **E** (Error) or **A** (Active) in the **REV** field and press **Enter**. If you typed A in the **REV** field, the master files are updated. Then, either the next or the previous transaction in the batch appears, depending on whether you page forward or backward.

[Contents](#)[Index](#)[Exit](#)

- If it is the same type transaction, the AMI3D17I display appears again.
- If it is a different type transaction, the Inventory Transaction – Detail Review (Review) display (AMI3D32R) appears.

Function keys

F02 PAGE FORWARD causes the next transaction in the batch to appear. If it is the same transaction type, display AMI3D17I appears again. If a different transaction type, the Inventory Transaction – Detail Review (Review) display (AMI3D32R) appears.

F03 PAGE BACKWARD causes the previous transaction in the batch to appear. If it is the same transaction type, display AMI3D17I appears again. If a different transaction type, the Inventory Transaction – Detail Review (Review) display (AMI3D32R) appears.

F09 REVIEW ALL causes the Inventory Transaction – Summary Review (Review) display (AMI3D31R) to appear so you can review a summary of the next or the previous group of transactions in the batch depending on whether you were paging forward or backward.

F10 RETURN TO SELECT causes the Inventory Transaction – Transaction Selection (Select) display (AMI3D01) to appear again so you can enter additional transactions.

Fields

On this display, only the optional **REV** field can be typed in. All other fields are informational only. Refer to “AMI3D17E—Inventory Transaction–Purchase Receipt to Inspection (RI) (Enter)” for an explanation of these fields.

To change any of these fields, you must reverse this Purchase Receipt to Inspection transaction, with the reversal codes described below, and retype it using display AMI3D17E.

REV (Reversal Code). This field contains one of the following:

- A** Active. This code appears for valid transactions. If you type in R, the transaction is reversed, and the master files are changed back as they were previously. The Inventory Transaction Register (AMV3G) shows the transaction as deleted.
- R** Reversed. If you type in A, this transaction is reactivated.
- E** Error. This code appears only after you have changed U to E.
- U** Unapplied. This code appears for transactions entered in immediate update mode that were not accepted because of errors. Transactions with code U must be changed to E (accept with error) or A (reactivate) before the batch can be closed. If you change U to E, no master files are updated.

[Contents](#)[Index](#)[Exit](#)

AMI3D18E—Inventory Transaction—Production Receipt (RM) (Enter)

Use this display to report that a manufactured item has been placed in stock. The item balance is increased. A negative production receipt quantity indicates that an item has been withdrawn from stock and returned to manufacturing for repair or rework.

When the item received requires an inspection on receipt, the status is changed to waiting and the item balance is not updated. A QC transaction must be entered to approve the item and update the item balance.

This transaction is valid only if manufacturing order tracking is supported and the order status field in the Manufacturing Order Master file is valid.

Production receipt quantities are used by MRP and MPSP to determine actual period production quantities, based on the MRP/MPSP planning periods.

If Knowledge-Based Configurator (KBC) is installed and interfacing and a configured item is being received, the cost is determined by KBC and the normal IM costing is by passed.

When the receipt is entered, an option allows you to check for orders that have shortages of the item received. If you take the option, the Dispatch Materials Inquiry display (AMI3D28E) appears showing you where shortages exist in manufacturing or customer orders. You can check for shortages only if you typed a positive number in the quantity field.

When a production receipt is reported, controlled floor stock components (if any exist) must be accounted for as an issue to update the item balance. When the receipt is entered, the Controlled Floor Stock Component Issue display (AMI3D27E) appears and lists the planned (expected) manufacturing issues. The issues can be accepted as planned, or you can enter exceptions.

If manufacturing order tracking is supported, this display appears when you select option 14 or enter transaction code RM on display AMI3D01.

You can enter only one Production Receipt transaction on this display. A history area at the top of the display shows you the last valid Production Receipt transaction in the batch.

[Contents](#)[Index](#)[Exit](#)

```

DATE **/**/**          INVENTORY TRANSACTION          ENTER   AMI3D18E **
                        PRODUCTION RECEIPT (RM)
ORDER  ITEM NUMBER    WHSE  QUANTITY  U/M  CMP          TRN  AMT  VENDOR
*****  *****
REFERENCE  REASON  DATE          LOCATION  BATCH/LOT  FIFO  DATE
*****  *****  *****          *****  *****  *****  *****
-----
* aaaaaA7  aaaaaaaaaaA15 aA3  nnnnnn.nnn  A2  A  nnnnnnnnnn.nnnn  aaaaA6
aaaaaaaA10  aaaaA6  nnnnnn          aaaaaA7  aaaaaaA10  nnnnnn

ENTER LINE NUMBER, OR 9 TO END  n

                                F09 REVIEW ALL
                                F10 RETURN TO SELECT
                                F17 ACCEPT W/ERROR

```

What to do

To enter a transaction, type in the information you need for the transaction and press **Enter**.

- If one or more error messages appear, the transaction cannot be processed. You must change it before pressing **Enter** again.
- If only information or warning messages appear, press Enter again to process the transaction shown. If the transaction is not correct, you should change it before pressing **Enter** again.
- If the item is defined in the Item Master file to require inspection on receipt, you must do one of the following:
 - For receipt at a controlled warehouse: After the transaction is processed, the item can be shown in the selected location. But it is not available for issue since it is not yet received in stock. You must process a quality control transaction (MQ), using display AMIQH1, to complete the receipt to stock.
 - For a receipt at an uncontrolled warehouse: After the transaction is processed, the item is available for issue.
- If there are no errors and this finished item contains controlled floor stock items, the Controlled Floor Stock Component Issue display (AMI3D27E) appears so you can review those items and enter any exceptions to the quantity issued.
- If there are no errors and this finished item does not contain controlled floor stock items, the transaction shown is processed and display AMI3D18E appears again:
 - If the **SHORTAGE CHECKING** field on display AMI3D01 contains NO, or there are no potential shortages, you can enter another transaction.
 - If the **SHORTAGE CHECKING** field on display AMI3D01 contains YES, or there is a potential shortage, display AMI3D18E contains a line number next to the transaction so you can check shortages for the item.

Contents	Index	Exit
--------------------------	-----------------------	----------------------

- If a line number appears and you type in the line number to check shortages, press **Enter** again to review shortages for the requested item on the Dispatch Materials Inquiry display (AMI3D28E).
- If a line number appears and you type in 9 to end shortage checking, and press **Enter**, display AMI3D18E appears again so you can enter another transaction.

Function keys

F09 REVIEW ALL causes the Inventory Transaction – Summary Review (Review) display (AMI3D31R) to appear so you can review a summary of the last 12 transactions in the batch.

F10 RETURN TO SELECT causes the Inventory Transaction – Transaction Selection (Select) display (AMI3D01) to appear again so you can select another transaction type.

F17 ACCEPT W/ERROR accepts any transactions shown with error (E) messages, and flags them as error transactions. You must correct these transactions before the Inventory Transaction Register report (AMV3G) is printed.

Note: F17 is not required if only warning (W) messages appear. F17 is only valid in batch update mode.

Fields

[?] appears next to a field name in the following field definitions to identify a field from which you can begin a master file search.

You can duplicate any of the alphanumeric fields from the history area in the corresponding field below the line by pressing the DUP key in the desired fields.

ORDER (Order Number) [?]. Required. Type in the number of the manufacturing order for this Production Receipt transaction. The order status code for the order you enter must be valid.

ITEM NUMBER [?]. Required. Type in the number of the finished item received from production.

WHSE (Warehouse Code). Required if you have multiple warehouses defined in the Warehouse Master file. Type in the code of the warehouse where this item is stored. If you have only one warehouse, this field does not appear.

QUANTITY. Required if you do not use a completion code (**CMP**) of C. This field is not required if you have already entered the final receipt for this order and you now want to report the order complete (**CMP** = C). Type in the quantity received from production.

U/M (Unit of Measure). Type in the stocking unit of measure or leave this field blank. If you leave the **U/M** field blank, the stocking unit of measure in the Item Master file is used.

Contents	Index	Exit
--------------------------	-----------------------	----------------------

CMP (Completion Code). Type in one of the following completion codes:

- C** Receipt complete
- P** Partial receipt (default value)
- R** Reopen closed order (immediate update mode only)

Notes:

1. Entering a completion code of C does not automatically receive the quantity still open on the manufacturing order. You must also enter the actual quantity received in the **QUANTITY** field. If PC&C is installed and interfacing, you must enter a separate transaction with a quantity of zero and completion code of C to complete the receipt.
2. Type the actual quantity received in the **QUANTITY** field. Completion code C sets the purchase order status of the line item to 50 (item complete) and reduces the on-order quantity in the Item Balance record by any quantity not received.
3. When you enter the final receipt for an order, you may not know that it is the final receipt. Entering a subsequent receipt transaction with CMP = C, and no quantity, lets you complete the order.

TRN AMT (Transaction Amount). Type in the amount of this Production Receipt transaction. This field must have the same sign (+ or -) as the **QUANTITY** field. This field is not required; however, if you do type in an amount, a Cost Adjustment (CA) will be made to the cost field in the Item Balance file.

VENDOR. Type in the number of the vendor supplying this item if you want the number to be printed on the Inventory Transaction Register report (AMV3G).

REFERENCE. Type in a user-defined value that is to be used for reference purposes only. It is printed on the Inventory Transaction Register report (AMV3G).

REASON. Type in a code explaining the reason for this transaction. This code is assigned by your company.

DATE. Type in the date of this transaction. If you leave this field blank, the transaction date entered on display AMI3D01 is used.

LOCATION [?]. A physical storage point within the warehouse. The stock location of the item, as stored in the Location Detail file. If you are using a controlled warehouse, this field is required. If your system is set up to use a default location and this is not an inspection-on-receipt item, you can leave this field blank and the stocking location (WHS LC) from the Item Balance file will be used.

BATCH/LOT. Type in the batch or lot number if you chose the batch/lot control option during application tailoring, and it applies to this item.

FIFO DATE (First-In-First-Out Date). Appears only if the FIFO date integrity option was selected during application tailoring. Type in the date when the item was received in stock, whether approved or unapproved. The default is the transaction date.

ENTER LINE NUMBER, OR 9 TO END. This field does not appear when display AMI3D18E first appears. It appears on the display after you press **Enter**, only if you requested shortage checking on AMI3D01, a potential shortage exists, and you used a positive quantity.

Contents	Index	Exit
--------------------------	-----------------------	----------------------

To review the shortages for the item, type in the line number of the transaction. If you do not want to review shortages, or you are finished checking shortages, type in **9**.

[Contents](#)[Index](#)[Exit](#)

AMI3D18B—Inventory Transaction—Production Receipt (RM) (Review)

Use this display to change previously entered Production Receipt transactions that were entered to the transaction file in batch update mode. It appears only if batch update was selected during application tailoring.

This display appears when you select **F05 CHANGE**, while reviewing a Production Receipt transaction on either the Inventory Transaction – Summary Review (Review) display (AMI3D31R), or the Inventory Transaction – Detail Review (Review) display (AMI3D32R).

This display also appears when you select either **F02 PAGE FORWARD** or **F03 PAGE BACKWARD** on display AMI3D18B, and the next or the previous transaction is also a Production Receipt transaction.

```

DATE **/**/**          INVENTORY TRANSACTION          REVIEW  AMI3D18B **
                        PRODUCTION RECEIPT (RM)
ORDER  ITEM NUMBER    WHSE  QUANTITY  U/M CMP          TRN AMT  VENDOR
aaaaaA7  aaaaaaaaaaaaA15  aA3  nnnnnnn.nnn  A2  A  nnnnnnnnnnn.nnnn  aaaaA6

REFERENCE  REASON  DATE          LOCATION BATCH/LOT  FIFO DATE
aaaaaaaA10  aaaaA6  nnnnnn          aaaaaA7  aaaaaaA10  nnnnnn
-----

```

```

F02 PAGE FORWARD
F03 PAGE BACKWARD
F09 REVIEW ALL
F10 RETURN TO SELECT
F17 ACCEPT W/ERROR
F20 DELETE RECORD

```

What to do

To change a transaction, type in the information you need to change and press **Enter**. The transaction is processed. Any changes made are checked for possible errors. Then either the next or the previous transaction in the batch appears, depending on whether you page forward or backward.

- If it is the same type transaction, display AMI3D18B appears again.
- If it is a different type transaction, the Inventory Transaction – Detail Review (Review) display (AMI3D32R) appears.

Function keys

F02 PAGE FORWARD causes the next transaction in the batch to appear. If it is the same transaction type, display AMI3D18B appears again. If a different transaction type, the Inventory Transaction – Detail Review (Review) display (AMI3D32R) appears.

Contents	Index	Exit
--------------------------	-----------------------	----------------------

F03 PAGE BACKWARD causes the previous transaction in the batch to appear. If it is the same transaction type, display AMI3D18B appears again. If a different transaction type, the Inventory Transaction – Detail Review (Review) display (AMI3D32R) appears.

F09 REVIEW ALL causes the Inventory Transaction – Summary Review (Review) display (AMI3D31R) to appear to let you review a summary of the next or the previous group of transactions in the batch depending on whether you were paging forward or backward.

F10 RETURN TO SELECT causes the Inventory Transaction – Transaction Selection (Select) display (AMI3D01) to appear again so you can enter additional transactions.

F17 ACCEPT W/ERROR accepts any transactions shown with error (E) messages, and flags them as error transactions. You must correct these transactions before the Inventory Transaction Register report (AMV3G) is printed.

Note: F17 is not required if only warning (W) messages appear.

F20 DELETE RECORD causes the Production Receipt transaction shown to be deleted. Either the next or the previous transaction in the batch appears depending on whether you were paging forward or backward.

If it is the same transaction type, display AMI3D18B appears again. If a different transaction type, the Inventory Transaction – Detail Review (Review) display (AMI3D32R) appears.

Fields

Refer to “AMI3D18E—Inventory Transaction–Production Receipt (RM) (Enter)” for an explanation of the fields on this display. Any of the fields on this display can be changed, or the entire Production Receipt transaction can be deleted.

[Contents](#)[Index](#)[Exit](#)

AMI3D18I—Inventory Transaction—Production Receipt (RM) (Review)

Use this display to review or reverse previously entered Production Receipt transactions that were entered to the transaction file in immediate update mode. It appears only if you selected immediate update during application tailoring.

This display appears when you select **F05 CHANGE**, while reviewing a Production Receipt transaction on either the Inventory Transaction – Summary Review (Review) display (AMI3D31R), or the Inventory Transaction – Detail Review (Review) display (AMI3D32R).

This display also appears again when you select either **F02 PAGE FORWARD** or **F03 PAGE BACKWARD** on display AMI3D18I, and the next or the previous transaction is also a Production Receipt transaction.

Note: When reviewing a batch that was loaded from an offline file, display AMI3D18B appears instead of this display.

```

DATE **/**/**          INVENTORY TRANSACTION          REVIEW  AMI3D18I **
                        PRODUCTION RECEIPT (RM)
REV  ORDER  ITEM NUMBER          QUANTITY  U/M  CMP          TRN AMT  VENDOR
A   *****  *****
                                     ***** **  *  *   ***** .****  *****

REFERENCE  REASON  DATE          LOCATION  BATCH/LOT
*****    *****  *****          *****  *****
-----

```

```

F02 PAGE FORWARD
F03 PAGE BACKWARD
F09 REVIEW ALL
F10 RETURN TO SELECT

```

What to do

To review another transaction, press **Enter**. The next or the previous transaction in the batch appears, depending on whether you page forward or backward.

If it is the same transaction type, display AMI3D18I appears again. If a different transaction type, the Inventory Transaction – Detail Review (Review) display (AMI3D32R) appears.

- To change any of these fields, you must reverse this Production Receipt transaction and retype it.
- To reverse a Production Receipt transaction entered with a completion code of C, you must first enter the Production Receipt with a completion code of R to reopen the manufacturing order. Then you must enter the Production Receipt with a negative transaction quantity to reverse the original production receipt.

Contents	Index	Exit
--------------------------	-----------------------	----------------------

- To reverse a Production Receipt transaction not entered with a completion code of C, you need only enter the Production Receipt with a negative transaction quantity. When you have removed the Production Receipt transaction, you can enter the correct transaction.

Function keys

F02 PAGE FORWARD causes the next transaction in the batch to appear. If it is the same transaction type, display AMI3D18I appears again. If a different transaction type, the Inventory Transaction – Detail Review (Review) display (AMI3D32R) appears.

F03 PAGE BACKWARD causes the previous transaction in the batch to appear. If it is the same transaction type, display AMI3D18I appears again. If a different transaction type, the Inventory Transaction – Detail Review (Review) display (AMI3D32R) appears.

F09 REVIEW ALL causes the Inventory Transaction – Summary Review (Review) display (AMI3D31R) to appear to let you review a summary of the next or the previous group of transactions in the batch appears depending on whether you were paging forward or backward.

F10 RETURN TO SELECT causes the Inventory Transaction – Transaction Selection (Select) display (AMI3D01) to appear again so you can enter additional transactions.

Fields

On this display, only the optional **REV** field can be typed in. All other fields are informational only. Refer to “AMI3D18E—Inventory Transaction–Production Receipt (RM) (Enter)” for an explanation of these fields.

REV (Reversal Code). This field contains one of the following:

- A** Active. This code appears for valid transactions and cannot be changed.
- E** Error. This code appears only after you have changed U to E.
- U** Unapplied. This code appears only for transactions entered in immediate update mode that were not accepted because of errors. Transactions with code U must be changed to E (accept with error) before the batch can be closed. If you change U to E, no master files are updated.

Contents	Index	Exit
----------	-------	------

AMI3D19E—Inventory Transaction—Purchase Receipt to Stock (RP) (Enter)

Use this display to report that a purchased item has been placed in stock. The item balance is increased. A negative purchase receipt quantity indicates an item has been withdrawn from stock and returned to the vendor for rework or replacement.

This transaction is valid only if purchase order tracking is supported and the purchase order status field in the Purchase Order Master file does not equal 40 (complete vendor), 50 (complete buyer), or 99 (canceled).

When the item requires an inspection on receipt, this transaction cannot be selected. A Purchase Receipt to Inspection (RI) transaction must be entered to receive it to inspection. A QC transaction must be entered to approve the item and update the item balance.

When the receipt is entered, an option allows you to check for orders that have shortages of the item received. If you take the option, the Dispatch Materials Inquiry display (AMI3D28E) appears, which shows you where shortages exist in manufacturing or customer orders. You can check for shortages only if you typed a positive number in the quantity field.

If the Purchasing application is installed and interfacing, display AMI3D36E appears instead of display AMI3D19E.

If purchase order tracking is supported and Purchasing is not installed, this display appears when you select option 15 or enter transaction code RP on display AMI3D01.

You can enter up to four Purchase Receipt to Stock transactions on this display. A history area at the top of the display shows you the last valid Purchase Receipt to Stock transaction in the batch.

```

DATE **/**/**              INVENTORY TRANSACTION              ENTER      AMI3D19E **
                           PURCHASE RECEIPT TO STOCK (RP)
ORDER  ITEM NUMBER        WHSE   QUANTITY  U/M CMP SEQ. BLK              TRN AMT
*****  *****          ***    *     *    *  *   *   *   *   *   *   *
*****  *****          ***    *     *    *  *   *   *   *   *   *

REFERENCE  REASON  DATE  VENDOR  LOCATION BATCH/LOT  FIFO DATE
*****    *     *     *     *     *     *     *     *
GRN
*****
-----
aaaaA7 aaaaaaaaaaaA15 aA3  nnnnnn.nnnn aa  a nnn nnnn nnnnnnnnnn.nnnnn
aaaaaaA10 aaaaA6 nnnnnn  aaaaaa aaaaaaa aaaaaaaaaa nnnnnn
aaaaaaaaaaaaaaaaaaaaA26
aaaaA7 aaaaaaaaaaaA15 aA3  nnnnnn.nnnn aa  a nnn nnnn nnnnnnnnnn.nnnnn
aaaaaaA10 aaaaA6 nnnnnn  aaaaaa aaaaaaa aaaaaaaaaa nnnnnn
aaaaaaaaaaaaaaaaaaaaA26
aaaaA7 aaaaaaaaaaaA15 aA3  nnnnnn.nnnn aa  a nnn nnnn nnnnnnnnnn.nnnnn
aaaaaaA10 aaaaA6 nnnnnn  aaaaaa aaaaaaa aaaaaaaaaa nnnnnn
aaaaaaaaaaaaaaaaaaaaA26

ENTER LINE NUMBER, OR 9 TO END  n

F09 REVIEW ALL
F10 RETURN TO SELECT
F17 ACCEPT W/ERROR
```


Contents	Index	Exit
--------------------------	-----------------------	----------------------

What to do

To enter a transaction, type in the information you need for the transaction and press **Enter**.

- If one or more error messages appear, the transaction cannot be processed. You must change it before pressing **Enter** again.
- If only information or warning messages appear, press **Enter** again to process the transaction shown. If the transaction is not correct, you should change it before pressing **Enter** again.
- If there are no errors, the transaction shown is processed and display AMI3D19E appears again:
 - If the **SHORTAGE CHECKING** field on display AMI3D01 contains NO, or there are no potential shortages, you can enter another transaction.
 - If the **SHORTAGE CHECKING** field on display AMI3D01 contains YES, or there is a potential shortage, display AMI3D19E contains a line number next to the transaction so you can check shortages for the item.
 - If a line number appears and you type in the line number to check shortages, press **Enter** again to review shortages for the requested item on the Dispatch Materials Inquiry display (AMI3D28E).
 - If a line number appears and you type in 9 to end shortage checking, and press **Enter**, display AMI3D19E appears again so you can enter another transaction.

Function keys

F09 REVIEW ALL causes the Inventory Transaction – Summary Review (Review) display (AMI3D31R) to appear to let you review a summary of the last 12 transactions in the batch.

F10 RETURN TO SELECT causes the Inventory Transaction – Transaction Selection (Select) display (AMI3D01) to appear again so you can select another transaction type.

F17 ACCEPT W/ERROR accepts any transactions shown with error (E) messages, and flags them as error transactions. You must correct these transactions before the Inventory Transaction Register report (AMV3G) is printed.

Note: F17 is not required if only warning (W) messages appear. F17 is only valid in batch update mode.

Fields

[?] appears next to a field name in the following field definitions to identify a field from which you can begin a master file search.

Each of the following fields appears four times on the display, once for each of the four transactions. You can duplicate any of the alphanumeric fields from the history area in the corresponding fields below the line by putting the cursor in the field, and pressing the **DUP** key.

Contents	Index	Exit
--------------------------	-----------------------	----------------------

ORDER (Order Number) [?]. Required. Type in the number of the purchase order for this Purchase Receipt to Stock transaction. The order you enter must not be complete or canceled. (The order status must be less than 50, Complete.)

ITEM NUMBER [?]. Required. Type in the number of the item received to stock. The purchase order status of the line item must not be 50 (Item Complete).

WHSE (Warehouse Code). Required if have multiple warehouses defined in the Warehouse Master file. Type in the code of the warehouse where this item is stored.

QUANTITY. Required if you do not use a completion code (**CMP**) of C. This field is not required if you have already entered the final receipt for this order and you now want to report the order complete (**CMP** = C). Type in the quantity received to stock.

U/M (Unit of Measure). Type in the purchase unit of measure, if the **QUANTITY** field specified is in purchase units. Type in the stocking unit of measure, or leave this field blank, if the **QUANTITY** field specified is in stocking units. If you leave the U/M field blank, the stocking unit of measure in the Item Master file is used.

CMP (Completion code). Type in one of the following completion codes:

blank Set the order item status to complete if the quantity received is greater than or equal to the order quantity.

C Receipt complete

P Partial receipt

R Reopen closed order

Notes:

1. Entering a completion code of C does not automatically receive the quantity still open on the purchase order. You must also type the actual quantity received in the **QUANTITY** field.
2. Completion code C sets the purchase order status of the line item to 50 (item complete) and reduces the on-order quantity in the Item Balance record by any quantity not received.
3. When you enter the final receipt for an order, you may not know that it is the final receipt.
4. Entering a subsequent receipt transaction with **CMP** = C and no quantity lets you complete the order.
5. If all of the items on an order are complete, the application sets the status of the order to complete (40, complete buyer).
6. If nothing is entered in the **CMP** field, the system checks to see if the quantity ordered on the purchase order has been received. If it has, the blanket or line item status is set to complete (50).

SEQ. (Line Item Sequence). Type in the line item sequence number for miscellaneous and service items. Leave this field blank for inventory items.

BLK (Blanket Release). Type in the blanket release number if this is a blanket purchase order and you want the receipt applied to a specific release.

Contents	Index	Exit
--------------------------	-----------------------	----------------------

If you leave this field blank and this is a blanket purchase order, the receipt is applied to the first open release. Any remaining quantity is applied to the next open release(s) until the quantity is fully applied.

TRN AMT (Transaction Amount). Type in the amount of this Purchase Receipt to Stock transaction. This field must have the same sign (+ or -) as the **QUANTITY** field. This field is not required; however, if you do type in an amount, a Cost Adjustment (CA) will be made to the cost field in the Item Balance file.

REFERENCE. Type in a user-defined value that is to be used for reference purposes only. It is printed on the Inventory Transaction Register report (AMV3G).

REASON. Type in a code explaining the reason for this transaction. This code is assigned by your company.

DATE. Type in the date of this transaction. If you leave this field blank, the transaction date entered on display AMI3D01 is used.

VENDOR. Type in the number of the vendor supplying this item if you want the number to be printed on the Inventory Transaction Register report (AMV3G).

The next four fields can only be entered if the warehouse is controlled.

LOCATION [?]. A physical storage point within the warehouse. The stock location of the item, as stored in the Location Detail file. If you are using a controlled warehouse, this field is required. If your system is set up to use a default location and this is not an inspection-on-receipt item, you can leave this field blank and the stocking location (WHS LC) from the Item Balance file will be used.

BATCH/LOT. Type in the batch or lot number if you chose the batch/lot control option during application tailoring, and if it applies to this item.

FIFO DATE (First-In-First-Out Date). Appears only if the FIFO date integrity option was selected during application tailoring. Type in the date when the item was received in stock, whether approved or unapproved. The default is the transaction date.

GRN (Goods Received Note). This field appears if you selected the GRN option during application tailoring or if IFM is installed and interfacing. The number of the goods received note that corresponds to a receipt. This field is user-defined and can represent a receiving ticket, a bill of lading, or an IFM invoice number. The GRN is used by the accounts payable department to check that invoiced items were actually received.

GRN INV (Goods Received Notes Invoice). This field appears only if IFM is installed and interfacing. Type in one of the following to describe the use of the GRN field:

Y GRN is an IFM invoice number
N GRN is being used to match another document, such as a bill of lading
blank GRN number is not being used. This is the default.

Enter LINE NUMBER, OR 9 TO END. This field is not shown when display AMI3D19E first appears. It appears on the display after you press **Enter**, only if you requested shortage checking on AMI3D01, a potential shortage exists, and you used a positive quantity.

Contents	Index	Exit
--------------------------	-----------------------	----------------------

To review the shortages for an item, type in the line number of the item you want. If you do not want to review shortages, or you are finished checking shortages, type in **9**.

[Contents](#)[Index](#)[Exit](#)

AMI3D19B—Inventory Transaction—Purchase Receipt to Stock (RP) (Review)

Use this display to change previously entered Purchase Receipt to Stock transactions that were entered to the transaction file in batch update mode. It appears only if batch update was selected during application tailoring.

This display appears when you select **F05 CHANGE**, while reviewing a Purchase Receipt to Stock transaction on either the Inventory Transaction – Summary Review (Review) display (AMI3D31R), or the Inventory Transaction – Detail Review (Review) display (AMI3D32R).

This display also appears again when you select either **F02 PAGE FORWARD** or **F03 PAGE BACKWARD** on display AMI3D19B and the next or the previous transaction is also a Purchase Receipt to Stock transaction.

DATE **/**/**	INVENTORY TRANSACTION							REVIEW	AMI3D19B **
ORDER	ITEM NUMBER	WHSE	QUANTITY	U/M	CMP	SEQ.	BLK	TRN	AMT
*****	*****	***	*****	***	*	***	***	*****	*****
REFERENCE	REASON	DATE	VENDOR	LOCATION	BATCH/LOT	FIFO	DATE		
*****	*****	*****	*****	*****	*****	*****	*****		
GRN				GRN	INV	<Y/N>			
*****					*				

F02 PAGE FORWARD
 F03 PAGE BACKWARD
 F09 REVIEW ALL
 F10 RETURN TO SELECT
 F17 ACCEPT W/ERROR
 F20 DELETE RECORD

What to do

To change a transaction, type in the information you need to change and press **Enter**. The transaction is processed. Any changes made are checked for possible errors. Then either the next or the previous transaction in the batch appears, depending on whether you page forward or backward.

- If it is the same type transaction, display AMI3D19B appears again.
- If it is a different type transaction, the Inventory Transaction – Detail Review (Review) display (AMI3D32R) appears.

Function keys

F02 PAGE FORWARD causes the next transaction in the batch to appear. If it is the same transaction type, display AMI3D19B appears again. If a different transaction

Contents	Index	Exit
--------------------------	-----------------------	----------------------

type, the Inventory Transaction – Detail Review (Review) display (AMI3D32R) appears.

F03 PAGE BACKWARD causes the previous transaction in the batch to If a different transaction type, the Inventory Transaction – Detail Review (Review) display (AMI3D32R) appears.

F09 REVIEW ALL causes the Inventory Transaction – Summary Review (Review) display (AMI3D31R) to appear to let you review a summary of the next or the previous group of transactions in the batch appears

F10 RETURN TO SELECT causes the Inventory Transaction – Transaction Selection (Select) display (AMI3D01) to appear again, so you can enter additional transactions.

F17 ACCEPT W/ERROR accepts any transactions shown with error (E) messages, and flags them as error transactions. You must correct these transactions before the Inventory Transaction Register report (AMV3G) is printed.

Note: F17 is not required if only warning (W) messages appear.

F20 DELETE RECORD causes the Purchase Receipt to Stock transaction shown to be deleted. Either the next or the previous transaction in the batch appears depending on whether you were paging forward or backward. If it is the same transaction type, display AMI3D19B appears again. If a different transaction type, the Inventory Transaction – Detail Review (Review) display (AMI3D32R) appears.

Fields

Refer to “AMI3D19E—Inventory Transaction–Purchase Receipt to Stock (RP) (Enter)” for an explanation of the fields on this display. Any of the fields shown can be changed or the entire Purchase Receipt to Stock transaction can be deleted using this display.

Contents	Index	Exit
--------------------------	-----------------------	----------------------

AMI3D19I—Inventory Transaction—Purchase Receipt to Stock (RP) (Review)

Use this display to review or reverse previously entered Purchase Receipt to Stock transactions that were entered to the transaction file in immediate update mode. It appears only if immediate update was selected during application tailoring.

This display appears when you select **F05 CHANGE**, while reviewing a Purchase Receipt to Stock transaction on either the Inventory Transaction – Summary Review (Review) display (AMI3D31R), or the Inventory Transaction – Detail Review (Review) display (AMI3D32R).

This display also appears again when you select either **F02 PAGE FORWARD** or **F03 PAGE BACKWARD** on display AMI3D19I, and the next or the previous transaction is also a Purchase Receipt to Stock transaction.

Note: When reviewing a batch that was loaded from an offline file, display AMI3D19B appears instead of this display.

```

DATE **/**/**           INVENTORY TRANSACTION           REVIEW   AMI3D19I **
PURCHASE RECEIPT TO STOCK (RP)
REV ORDER  ITEM NUMBER  WHSE  QUANTITY  U/M  CMP  SEQ.  BLK      TRN  AMT
*  *  *  *  *  *  *  *  *  *  *  *  *  *  *  *  *  *  *  *  *  *  *  *  *  *  *  *  *  *  *  *  *  *  *  *  *  *  *
REFERENCE  REASON  DATE   VENDOR  LOCATION  BATCH/LOT  FIFO DATE
*****   *     *     *     *     *     *     *     *     *     *     *     *     *     *     *
GRN                                               GRN  INV  <Y/N>
*****                                               *
-----

F02 PAGE FORWARD
F03 PAGE BACKWARD
F09 REVIEW ALL
F10 RETURN TO SELECT
    
```

What to do

To reverse a transaction, type **R** in the **REV** field and press **Enter**. The transaction shown on the display is reversed. Then, either the next or the previous transaction in the batch appears, depending on whether you page forward or backward.

- If it is the same type transaction, the AMI3D19I display appears again.
- If it is a different type transaction, the Inventory Transaction – Detail Review (Review) display (AMI3D32R) appears.

To correct an unapplied transaction (REV=U) type **E** (Error) or **A** (Active) in the **REV** field and press **Enter**. If you typed A in the **REV** field, the master files are updated. Then, either the next or the previous transaction in the batch appears, depending on whether you page forward or backward.

Contents	Index	Exit
--------------------------	-----------------------	----------------------

- If it is the same type transaction, the AMI3D19I display appears again.
- If it is a different type transaction, the Inventory Transaction – Detail Review (Review) display (AMI3D32R) appears.

Function keys

F02 PAGE FORWARD causes the next transaction in the batch to appear. If it is the same transaction type, display AMI3D19I appears again. If a different transaction type, the Inventory Transaction – Detail Review (Review) display (AMI3D32R) appears.

F03 PAGE BACKWARD causes the previous transaction in the batch to appear. If it is the same transaction type, display AMI3D19I appears again. If a different transaction type, the Inventory Transaction – Detail Review (Review) display (AMI3D32R) appears.

F09 REVIEW ALL causes the Inventory Transaction – Summary Review (Review) display (AMI3D31R) to appear to let you review a summary of the next or the previous group of transactions in the batch depending on whether you were paging forward or backward.

F10 RETURN TO SELECT causes the Inventory Transaction – Transaction Selection (Select) display (AMI3D01) to appear again so you can enter additional transactions.

Fields

On this display, only the optional **REV** field can be typed in. All other fields are informational only. Refer to “AMI3D19E—Inventory Transaction–Purchase Receipt to Stock (RP) (Enter)” for an explanation of these fields.

To change any of these fields, you must reverse this Purchase Receipt to Stock transaction, with the reversal codes described below, and retype it using display AMI3D19E.

REV (Reversal Code). This field contains one of the following:

- A** Active. This code appears for valid transactions. If you type in R, the transaction is reversed, and the master files are changed back as they were previously. The Inventory Transaction Register (AMV3G) shows the transaction as deleted.
- R** Reversed. If you type in A, this transaction is reactivated.
- E** Error. This code appears only after you have changed U to E.
- U** Unapplied. This code appears for transactions entered in immediate update mode that were not accepted because of errors. Transactions with code U must be changed to E (accept with error) or A (reactivate) before the batch can be closed. If you change U to E, no master files are updated.

[Contents](#)[Index](#)[Exit](#)

AMI3D20E—Inventory Transaction—Component Return to Stock (RS) (Enter)

Use this display to report that an item previously issued has been returned to stock from manufacturing. This transaction causes a recalculation of the average and last costs of the item, but it does not change the allocated quantity of the item for the manufacturing order.

This transaction is valid only if manufacturing order tracking is supported and the open order status code in the Manufacturing Order Master file is less than or equal to 45 (material complete).

If there are no duplicate components on the manufacturing order, the return is fully applied to the single component allocation record in the Manufacturing Order Detail file. If there are duplicate components, the returns are applied according to the following explanations, up to the last duplicate, unless they are to be applied to a specific record by entering a user sequence number. The last duplicate has any remaining quantity applied to it.

- Positive returns are applied to the first multiple component with a positive issued quantity until the unissued quantity is zero. The remainder of the return quantity is then applied similarly to subsequent component records.
- Negative returns are applied to the first multiple component with a positive unissued quantity until the issued quantity is zero. The remainder of the return quantity is then applied to subsequent component records unless they are to be applied to a specific record by entering a user sequence number.

When the receipt is reported, an option allows you to check for orders that have shortages of the item returned to stock. If you take the option, the Dispatch Materials Inquiry display (AMI3D28E) appears, which shows you where shortages exist in manufacturing or customer orders.

If manufacturing order tracking is supported, this display appears when you select option 16 or enter transaction code RS on display AMI3D01.

You can enter up to four Component Return to Stock transactions on this display. A history area at the top of the display shows you the last valid Component Return to Stock transaction in the batch.

[Contents](#)[Index](#)[Exit](#)

```

DATE **/**/**          INVENTORY TRANSACTION          ENTER  AMI3D20E **
                        COMPONENT RETURN TO STOCK (RS)
ORDER  ITEM NUMBER    WHSE  QUANTITY  U/M  SEQ      TRN AMT
*****  *****
REFERENCE  REASON  DATE          LOCATION BATCH/LOT  FIFO DATE
*****  *****  *****
-----
*  aaaaaA7  aaaaaaaaaaaaaA15  aA3  nnnnnnn.nnn  A2  aaA4  nnnnnnnnnnn.nnnn
   aaaaaA10  aaaaA6  nnnnnn          aaaaaA7  aaaaaA10  nnnnnn
*  aaaaaA7  aaaaaaaaaaaaaA15  aA3  nnnnnnn.nnn  A2  aaA4  nnnnnnnnnnn.nnnn
   aaaaaA10  aaaaA6  nnnnnn          aaaaaA7  aaaaaA10  nnnnnn
*  aaaaaA7  aaaaaaaaaaaaaA15  aA3  nnnnnnn.nnn  A2  aaA4  nnnnnnnnnnn.nnnn
   aaaaaA10  aaaaA6  nnnnnn          aaaaaA7  aaaaaA10  nnnnnn
*  aaaaaA7  aaaaaaaaaaaaaA15  aA3  nnnnnnn.nnn  A2  aaA4  nnnnnnnnnnn.nnnn
   aaaaaA10  aaaaA6  nnnnnn          aaaaaA7  aaaaaA10  nnnnnn
ENTER LINE NUMBER, OR 9 TO END  n

                                F09 REVIEW ALL
                                F10 RETURN TO SELECT
                                F17 ACCEPT W/ERROR

```

What to do

To enter transactions, type in the information you need for each transaction and press **Enter**.

- If one or more error messages appear, the transactions cannot be processed. You must change them, or use **F17** to accept them with error.
- If only information or warning messages appear, press **Enter** again to process the transactions shown. If the transactions are not correct, you should change them before pressing **Enter** again.
- If there are no errors, the transactions shown are processed and display AMI3D20E appears again so you can enter additional transactions.
 - If the **SHORTAGE CHECKING** field on display AMI3D01 contains NO, or there are no potential shortages, you can enter another transaction.
 - If the **SHORTAGE CHECKING** field on display AMI3D01 contains YES, and there are potential shortages, display AMI3D20E appears again with line numbers next to the transactions you just entered so you can check shortages for those items.
 - If line numbers appear and you entered a line number to check shortages, press **Enter** again to review shortages for the requested item on the Dispatch Materials Inquiry display (AMI3D28E).
 - If line numbers appear and you enter 9 to end shortage checking and press **Enter**, display AMI3D20E appears so you can enter additional transactions.

Function keys

F09 REVIEW ALL causes the Inventory Transaction – Summary Review (Review) display (AMI3D31R) to appear to let you review a summary of the last 12 transactions in the batch.

Contents	Index	Exit
--------------------------	-----------------------	----------------------

F10 RETURN TO SELECT causes the Inventory Transaction – Transaction Selection (Select) display (AMI3D01) to appear again so you can select another transaction type.

F17 ACCEPT W/ERROR accepts any transactions shown with error (E) messages, and flags them as error transactions. You must correct these transactions before the Inventory Transaction Register report (AMV3G) is printed.

Note: **F17** is not required if only warning (W) messages appear. **F17** it is only valid in batch update mode.

Fields

[?] appears next to a field name in the following field definitions to identify a field from which you can begin a master file search.

Each of the following fields appears four times on the display, once for each of the four transactions. You can duplicate any of the alphanumeric fields from the history area in the corresponding fields below the line by putting the cursor in the field, and then pressing the **DUP** key.

ORDER (Order Number) [?]. Required if the item is not a floor stock item. Type in the number of the manufacturing order for this Component Return to Stock transaction, if this is not a floor stock item. The order you enter must not be complete or canceled. (The order status must be less than or equal to 45, Material Complete.)

ITEM NUMBER [?]. Required. Type in the number of the component item returned to stock.

WHSE (Warehouse Code). Required if you have multiple warehouses defined in the Warehouse Master file. Type in the code of the warehouse where this item is stored. If you have only one warehouse, this field does not appear.

QUANTITY. Appears and is required only if multiple warehouses are supported. Type in the quantity returned to stock.

U/M (Unit of Measure). Type in the stocking unit of measure or leave this field blank. If you leave the U/M field blank, the stocking unit of measure in the Item Master file is used.

SEQ (Sequence Number). If the return is to be applied to a specific record in the Manufacturing Order Detail file (when more than one record exists on the order for the component), type in the user-assigned sequence number of the desired material detail record. This field appears only if user sequence numbers are supported in PDM.

TRN AMT (Transaction Amount). Type in the amount of this Component Return to Stock transaction. This field is not required; however, if you do type in an amount, a Cost Adjustment (CA) will be made to the cost field in the Item Balance file.

REFERENCE. Type in a user-defined value used for reference purposes only. It is printed on the Inventory Transaction Register report (AMV3G).

REASON. Type in a code explaining the reason for this transaction. This code is assigned by your company.

Contents	Index	Exit
--------------------------	-----------------------	----------------------

DATE. Type in the date of this transaction. If you leave this field blank, the transaction date entered on display AMI3D01 is used.

LOCATION [?]. A physical storage point within the warehouse. The stock location of the item, as stored in the Location Detail file. If you are using a controlled warehouse, this field is required.

If your system is set up to use a default location, you can leave this field blank and the stocking location (WHSLC) from the Item Balance file is used.

BATCH/LOT. Type in the batch or lot number if you chose the batch/lot control option during application tailoring and it applies to this item.

FIFO DATE (First-In-First-Out Date). Type in the date when the item was received in stock, whether approved or unapproved. The default is the transaction date. This field appears only if the FIFO date integrity option was selected during application tailoring.

Enter LINE NUMBER, OR 9 TO END. This field is not shown when display AMI3D20E first appears. It appears on the display after you press **Enter** only if you requested shortage checking on AMI3D01, if a potential shortage exists, and if you type in a positive quantity.

To review the shortages for an item, type in the line number of the item you want. If you do not want to review shortages, or you are finished checking shortages, type in **9**.

[Contents](#)[Index](#)[Exit](#)

AMI3D20B—Inventory Transaction—Component Return to Stock (RS) (Review)

Use this display to change previously entered Component Return to Stock transactions that were entered to the transaction file in batch update mode. It appears only if you selected batch update during application tailoring.

This display appears when you select **F05 CHANGE**, while reviewing a Component Return to Stock transaction on either the Inventory Transaction – Summary Review (Review) display (AMI3D31R), or the Inventory Transaction – Detail Review (Review) display (AMI3D32R).

This display also appears when you select either **F02 PAGE FORWARD** or **F03 PAGE BACKWARD** on display AMI3D20B, and the next or the previous transaction is also a Component Return to Stock transaction.

```

DATE **/**/**          INVENTORY TRANSACTION          REVIEW  AMI3D20B **
                        COMPONENT RETURN TO STOCK (RS)
ORDER  ITEM NUMBER    WHSE  QUANTITY  U/M  SEQ          TRN AMT
aaaaaA7  aaaaaaaaaaA15  aA3  nnnnnnn.nnn  A2  aaA4  nnnnnnnnnnn.nnnn

REFERENCE  REASON  DATE          LOCATION BATCH/LOT  FIFO DATE
aaaaaaaA10  aaaaA6  nnnnnn          aaaaaA7  aaaaaaA10  nnnnnn
-----

```

```

F02 PAGE FORWARD
F03 PAGE BACKWARD
F09 REVIEW ALL
F10 RETURN TO SELECT
F17 ACCEPT W/ERROR
F20 DELETE RECORD

```

What to do

To change a transaction, type in the information you need to change and press **Enter**. The transaction is processed. Any changes made are checked for possible errors. Then either the next or the previous transaction in the batch appears, depending on whether you page forward or backward.

- If it is the same type transaction, display AMI3D20B appears again.
- If it is a different type transaction, the Inventory Transaction – Detail Review (Review) display (AMI3D32R) appears.

Function keys

F02 PAGE FORWARD causes the next transaction in the batch to appear. If it is the same transaction type, display AMI3D20B appears again. If a different transaction

Contents	Index	Exit
--------------------------	-----------------------	----------------------

type, the Inventory Transaction – Detail Review (Review) display (AMI3D32R) appears.

F03 PAGE BACKWARD causes the previous transaction in the batch to appear. If it is the same transaction type, display AMI3D20B appears again. If a different transaction type, the Inventory Transaction – Detail Review (Review) display (AMI3D32R) appears.

F09 REVIEW ALL causes the Inventory Transaction – Summary Review (Review) display (AMI3D31R) to appear to let you review a summary of the next or the previous group of transactions in the batch appears depending on whether you were paging forward or backward.

F10 RETURN TO SELECT causes the Inventory Transaction – Transaction Selection (Select) display (AMI3D01) to appear again so you can enter additional transactions.

F17 ACCEPT W/ERROR accepts any transactions shown with error (E) messages, and flags them as error transactions. You must correct these transactions before the Inventory Transaction Register report (AMV3G) is printed.

Note: F17 is not required if only warning (W) messages appear.

F20 DELETE RECORD causes the Component Return to Stock transaction shown to be deleted. Either the next or the previous transaction in the batch appears depending on whether you were paging forward or backward. If it is the same transaction type, display AMI3D20B appears again. If a different transaction type, the Inventory Transaction – Detail Review (Review) display (AMI3D32R) appears.

Fields

Any of the fields shown can be changed or the entire Component Return to Stock transaction can be deleted using this display. Refer to “AMI3D20E—Inventory Transaction–Component Return to Stock (RS) (Enter)” for an explanation of the fields on this display.

[Contents](#)[Index](#)[Exit](#)

AMI3D20I—Inventory Transaction—Component Return to Stock (RS) (Review)

Use this display to review or reverse previously entered Component Return to Stock transactions that were entered to the transaction file in immediate update mode. It appears only if you selected immediate update during application tailoring.

This display appears when you select **F05 CHANGE** on the Inventory Transaction – Summary Review (Review) display (AMI3D31R) or the Inventory Transaction – Detail Review (Review) display (AMI3D32R) and the transaction you are reviewing is a Component Return to Stock transaction.

It also appears when you select either **F02 PAGE FORWARD** or **F03 PAGE BACKWARD** on display AMI3D20I and the next or the previous transaction is also a Component Return to Stock transaction.

Note: When reviewing a batch that was loaded from an offline file, display AMI3D20B appears instead of this display.

```

DATE **/**/**          INVENTORY TRANSACTION          REVIEW  AMI3D20I **
                        COMPONENT RETURN TO STOCK (RS)
REV  ORDER  ITEM NUMBER  WHSE  QUANTITY  U/M  SEQ  TRN AMT
A   *****  *****  ***  *****  **  ****  *****

```

```

REFERENCE  REASON  DATE          LOCATION BATCH/LOT  FIFO DATE
*****  *****  *****  *****  *****  *****

```

```

F02 PAGE FORWARD
F03 PAGE BACKWARD
F09 REVIEW ALL
F10 RETURN TO SELECT

```

What to do

To reverse a transaction, type **R** in the **REV** field and press **Enter**. The transaction shown on the display is reversed. Then, either the next or the previous transaction in the batch appears, depending on whether you page forward or backward.

- If it is the same type transaction, the AMI3D20I display appears again.
- If it is a different type transaction, the Inventory Transaction – Detail Review (Review) display (AMI3D32R) appears.

To correct an unapplied transaction (REV=U) type **E** (Error) or **A** (Active) in the **REV** field and press **Enter**. If you typed A in the **REV** field, the master files are updated.

Then, either the next or the previous transaction in the batch appears, depending on whether you page forward or backward.

- If it is the same type transaction, the AMI3D20I display appears again.
- If it is a different type transaction, the Inventory Transaction – Detail Review (Review) display (AMI3D32R) appears.

Function keys

F02 PAGE FORWARD causes the next transaction in the batch to appear. If it is the same transaction type, display AMI3D20I appears again. If a different transaction type, the Inventory Transaction – Detail Review (Review) display (AMI3D32R) appears.

F03 PAGE BACKWARD causes the previous transaction in the batch to appear. If it is the same transaction type, display AMI3D20I appears again. If a different transaction type, the Inventory Transaction – Detail Review (Review) display (AMI3D32R) appears.

F09 REVIEW ALL causes the Inventory Transaction – Summary Review (Review) display (AMI3D31R) to appear to let you review a summary of the next or the previous group of transactions in the batch appears depending on whether you were paging forward or backward.

F10 RETURN TO SELECT causes the Inventory Transaction – Transaction Selection (Select) display (AMI3D01) to appear again so you can enter additional transactions.

Fields

On this display, only the optional **REV** field can be typed in. All other fields are informational only. Refer to “AMI3D20E—Inventory Transaction—Component Return to Stock (RS) (Enter)” for an explanation of these fields.

To change any of these fields, you must reverse this Component Return to Stock transaction, with the reversal codes described below, and retype it using display AMI3D20E.

REV (Reversal Code). This field contains one of the following:

- A** Active. This code appears for valid transactions. If you type in R, the transaction is reversed, and the master files are changed back as they were previously. The Inventory Transaction Register (AMV3G) shows the transaction as deleted.
- R** Reversed. If you type in A, this transaction is reactivated.
- E** Error. This code appears only after you have changed U to E.
- U** Unapplied. This code appears for transactions entered in immediate update mode that were not accepted because of errors. Transactions with code U must be changed to E (accept with error) or A (reactivate) before the batch can be closed. If you change U to E, no master files are updated.

Contents	Index	Exit
--------------------------	-----------------------	----------------------

AMI3D21E—Inventory Transaction—Interwarehouse Receipt (RW) (Enter)

Use this display to report receipts from other warehouses. This transaction increases the quantity on hand in the receiving warehouse. If the quantity being transferred is waiting to be inspected, the on hand balance is not increased or decreased. A QC transaction that approves the quantity must be used to affect the on hand balance.

The Interwarehouse Issue (IW) transaction must be used by the sending warehouse to decrease the quantity on hand in that warehouse.

When the receipt is reported, an option allows you to check for orders that have shortages of the item received. If you take the option, display Dispatch Materials Inquiry (AMI3D28E) appears and shows where shortages exist in manufacturing or customer orders.

This display appears when you select option 17 or transaction code RW on display AMI3D01. You can enter up to four Interwarehouse Receipt transactions on this display. A history area at the top of the display shows you the last valid Interwarehouse Receipt transaction in the batch.

DATE **/**/**	INVENTORY TRANSACTION				ENTER	AMI3D21E **
	INTERWAREHOUSE RECEIPT (RW)					
	ITEM NUMBER	WHSE	QUANTITY	U/M		TRN AMT
	*****	***	*****	**		*****
REFERENCE	REASON	DATE	LOCATION	BATCH/LOT	FIFO	DATE
*****	*****	*****	*****	*****	*****	*****

* aaaaaaaA10	aaaaaaaaaaaA15 aaaaA6 nnnnnn	aA3	nnnnnnn.nnn aaaaA7	A2 aaaaaaaA10	nnnnnnnnnnn.nnnn nnnnnn	
* aaaaaaaA10	aaaaaaaaaaaA15 aaaaA6 nnnnnn	aA3	nnnnnnn.nnn aaaaA7	A2 aaaaaaaA10	nnnnnnnnnnn.nnnn nnnnnn	
* aaaaaaaA10	aaaaaaaaaaaA15 aaaaA6 nnnnnn	aA3	nnnnnnn.nnn aaaaA7	A2 aaaaaaaA10	nnnnnnnnnnn.nnnn nnnnnn	
* aaaaaaaA10	aaaaaaaaaaaA15 aaaaA6 nnnnnn	aA3	nnnnnnn.nnn aaaaA7	A2 aaaaaaaA10	nnnnnnnnnnn.nnnn nnnnnn	
ENTER LINE NUMBER, OR 9 TO END n						
					F09 REVIEW ALL	
					F10 RETURN TO SELECT	
					F17 ACCEPT W/ERROR	

What to do

To enter transactions, type in the information you need for each transaction and press **Enter**.

- If one or more error messages appear, the transactions cannot be processed. You must change them, or use **F17** to accept them with error.
- If only information or warning messages appear, press **Enter** again to process the transactions shown. If the transactions are not correct, you should change them before pressing **Enter** again.
- If there are no errors, the transactions shown are processed and display AMI3D21E appears again so you can enter additional transactions.

Contents	Index	Exit
--------------------------	-----------------------	----------------------

- If the **SHORTAGE CHECKING** field on display AMI3D01 contains NO, or there are no potential shortages, you can enter another transaction.
- If the **SHORTAGE CHECKING** field on display AMI3D01 contains YES, and there are potential shortages, display AMI3D21E appears again with line numbers next to the transactions you just entered so you can check shortages for those items.
- If line numbers appear and you entered a line number to check shortages, press **Enter** again to review shortages for the requested item on the Dispatch Materials Inquiry display (AMI3D28E).
- If line numbers appear and you enter 9 to end shortage checking and press Enter, display AMI3D21E appears so you can enter additional transactions.

Function keys

F09 REVIEW ALL causes the Inventory Transaction – Summary Review (Review) display (AMI3D31R) to appear so you can review a summary of the last 12 transactions in the batch.

F10 RETURN TO SELECT causes the Inventory Transaction – Transaction Selection (Select) display (AMI3D01) to appear again so you can select another transaction type.

F17 ACCEPT W/ERROR accepts transactions with error (E) messages and flags them as error transactions. You must correct these transactions before the Inventory Transaction Register report (AMV3G) is printed.

Note: F17 is not required if only warning (W) messages appear. F17 is only valid in batch update mode.

Fields

[?] appears next to a field name in the following field definitions to identify a field from which you can begin a master file search.

Each of the following fields appears four times on the display, once for each of the four transactions. You can duplicate any of the alphanumeric fields from the history area in the corresponding fields below the line by putting the cursor in the field, and then pressing the DUP key.

ITEM NUMBER [?]. Required. Type in the number of the item received from another warehouse.

WHSE (Warehouse Code). Required if you have multiple warehouses defined in the Warehouse Master file. Type in the code of the receiving warehouse. If you have only one warehouse, this field does not appear.

QUANTITY. Required. Type in the quantity received from another warehouse.

U/M (Unit of Measure). Type in the stocking unit of measure or leave this field blank. If you leave the U/M field blank, the stocking unit of measure in the Item Master file is used.

TRN AMT (Transaction Amount). Type in the amount of this Interwarehouse Receipt transaction. This field must have the same sign (+ or -) as **QUANTITY**. This

Contents	Index	Exit
--------------------------	-----------------------	----------------------

field is not required; however, if you do type in an amount, a Cost Adjustment (CA) will be made to the cost field in the Item Balance file.

REFERENCE. Type in a user-defined value used for reference purposes only. It is printed on the Inventory Transaction Register report (AMV3G). It serves as a link to the associated interwarehouse issue transaction.

REASON. Type in a code explaining the reason for this transaction. This code is assigned by your company.

DATE. Type in the date of this transaction. If you leave this field blank, the transaction date entered on display AMI3D01 is used.

LOCATION [?]. Type in the stock location of the item, as stored in the Location Detail file. This field is required if you are using a controlled warehouse.

BATCH/LOT. Type in the batch or lot number if you chose the batch/lot control option during application tailoring, and it applies to this item.

FIFO DATE (First-In-First-Out Date). Appears only if the FIFO date integrity option was selected during application tailoring. Type in the date when the item was received in stock, whether approved or unapproved. The default is the transaction date.

Enter LINE NUMBER, OR 9 TO END. This field is not shown when display AMI3D21E first appears. It appears on the display after you press Enter only if you requested shortage checking on AMI3D01, a potential shortage exists, and you used a positive quantity.

To review the shortages for an item, type in the line number of the item you want. If you do not want to review shortages, or you are finished checking shortages, type in **9**.

[Contents](#)[Index](#)[Exit](#)

AMI3D21B—Inventory Transaction—Interwarehouse Receipt (RW) (Review)

Use this display to change previously entered Interwarehouse Receipt transactions that were added to the transaction file in batch update mode. It appears only if you selected batch update during application tailoring.

This display appears when you select **F05 CHANGE**, while reviewing an Interwarehouse Receipt transaction on either Inventory Transaction – Summary Review (Review) display (AMI3D31R), or the Inventory Transaction – Detail Review (Review) display (AMI3D32R).

This display also appears when you select **F02 PAGE FORWARD** or **F03 PAGE BACKWARD** on display AMI3D21B and the next or the previous transaction is also an Interwarehouse Receipt transaction.

DATE **/**/**	INVENTORY TRANSACTION INTERWAREHOUSE RECEIPT (RW)				REVIEW	AMI3D21B **
	ITEM NUMBER	WHSE	QUANTITY	U/M		TRN AMT
	aaaaaaaaaA15	aA3	nnnnnnn.nnn	A2		nnnnnnnnnnn.nnnn
REFERENCE	REASON	DATE	LOCATION	BATCH/LOT	FIFO	DATE
aaaaaaaA10	aaaaA6	nnnnnn	aaaaaA7	aaaaaaaA10		nnnnnn

F02 PAGE FORWARD
 F03 PAGE BACKWARD
 F09 REVIEW ALL
 F10 RETURN TO SELECT
 F17 ACCEPT W/ERROR
 F20 DELETE RECORD

What to do

To change a transaction, type in the information you need to change and press **Enter**. The transaction is processed. Any changes made are checked for possible errors. Then either the next or the previous transaction in the batch appears, depending on whether you page forward or backward.

- If it is the same type transaction, display AMI3D21B appears again.
- If it is a different type transaction, the Inventory Transaction – Detail Review (Review) display (AMI3D32R) appears.

Function keys

F02 PAGE FORWARD causes the next transaction in the batch to appear. If it is the same transaction type, display AMI3D21B appears again. If it is a different

Contents	Index	Exit
--------------------------	-----------------------	----------------------

transaction type, the Inventory Transaction – Detail Review (Review) display (AMI3D32R) appears.

F03 PAGE BACKWARD causes the previous transaction in the batch to appear. If it is the same transaction type, display AMI3D21B appears again. If it is a different transaction type, the Inventory Transaction – Detail Review (Review) display (AMI3D32R) appears.

F09 REVIEW ALL causes the Inventory Transaction – Summary Review (Review) display (AMI3D31R) to appear so you can review a summary of the next or the previous group of transactions in the batch depending on whether you were paging forward or backward.

F10 RETURN TO SELECT causes the Inventory Transaction – Transaction Selection (Select) display (AMI3D01) to appear again so you can enter additional transactions.

F17 ACCEPT W/ERROR accepts transactions with error (E) messages and flags them as error transactions. You must correct these transactions before the Inventory Transaction Register report (AMV3G) is printed.

Note: F17 is not required if only warning (W) messages appear.

F20 DELETE RECORD causes the Interwarehouse Receipt transaction shown to be deleted. Either the next or the previous transaction in the batch appears depending on whether you were paging forward or backward.

If it is the same transaction type, display AMI3D21B appears again. If it is a different transaction type, the Inventory Transaction – Detail Review (Review) display (AMI3D32R) appears.

Fields

Any of the fields shown can be changed or the entire Interwarehouse Receipt transaction can be deleted using this display. Refer to “AMI3D21E—Inventory Transaction–Interwarehouse Receipt (RW) (Enter)” for an explanation of the fields on this display.

Contents	Index	Exit
--------------------------	-----------------------	----------------------

AMI3D21I—Inventory Transaction—Interwarehouse Receipt (RW) (Review)

Use this display to review or reverse previously entered Interwarehouse Receipt transactions that were added to the transaction file in immediate update mode. It appears only if you selected immediate update during application tailoring.

This display appears when you select **F05 CHANGE**, while you are reviewing an Interwarehouse Receipt transaction on either the Inventory Transaction – Summary Review (Review) display (AMI3D31R), or the Inventory Transaction – Detail Review (Review) display (AMI3D32R).

This display also appears when you select **F02 PAGE FORWARD** or **F03 PAGE BACKWARD** on display AMI3D21I and the next or the previous transaction is also an Interwarehouse Receipt transaction.

Note: When you are reviewing a batch that was loaded from an offline file, display AMI3D21B appears instead of this display.

```

DATE **/**/**                INVENTORY TRANSACTION          REVIEW  AMI3D21I **
                              INTERWAREHOUSE RECEIPT (RW)
REV          ITEM NUMBER      WHSE  QUANTITY  U/M          TRN AMT
A           *****          ***  *****  **          *****

```

```

REFERENCE  REASON  DATE                LOCATION BATCH/LOT  FIFO DATE
*****    *****  *****          *****  *****    *****

```

```

F02 PAGE FORWARD
F03 PAGE BACKWARD
F09 REVIEW ALL
F10 RETURN TO SELECT

```

What to do

To reverse a transaction, type **R** in the **REV** field and press **Enter**. The transaction shown on the display is reversed. Then, either the next or the previous transaction in the batch appears, depending on whether you page forward or backward.

- If it is the same type transaction, the AMI3D21I display appears again.
- If it is a different type transaction, the Inventory Transaction – Detail Review (Review) display (AMI3D32R) appears.

To correct an unapplied transaction (REV=U), type **E** (Error) or **A** (Active) in the **REV** field and press **Enter**. If you typed **A** in the **REV** field, the master files are updated.

Contents	Index	Exit
--------------------------	-----------------------	----------------------

Then, either the next or the previous transaction in the batch appears, depending on whether you page forward or backward.

- If it is the same type transaction, the AMI3D21I display appears again.
- If it is a different type transaction, the Inventory Transaction – Detail Review (Review) display (AMI3D32R) appears.

Function keys

F02 PAGE FORWARD causes the next transaction in the batch to appear. If it is the same transaction type, display AMI3D21I appears again. If it is a different transaction type, the Inventory Transaction – Detail Review (Review) display (AMI3D32R) appears.

F03 PAGE BACKWARD causes the previous transaction in the batch to appear. If it is the same transaction type, display AMI3D21I appears again. If it is a different transaction type, the Inventory Transaction – Detail Review (Review) display (AMI3D32R) appears. display (AMI3D32R) appears.

F09 REVIEW ALL causes the Inventory Transaction – Summary Review (Review) display (AMI3D31R) to appear so you can review a summary of the next or the previous group of transactions in the batch appears, depending on whether you were paging forward or backward.

F10 RETURN TO SELECT causes the Inventory Transaction – Transaction Selection (Select) display (AMI3D01) to appear again so you can enter additional transactions.

Fields

On this display, only the optional **REV** field can be typed in. All other fields are informational only. Refer to “AMI3D21E—Inventory Transaction–Interwarehouse Receipt (RW) (Enter)” for an explanation of these fields.

To change any of these fields, you must reverse this Interwarehouse Receipt transaction, with the reversal code described below, and retype it using display AMI3D21E.

REV (Reversal Code). This field contains one of the following:

- A** Active. This code appears for valid transactions. If you type in R, the transaction is reversed, and the master files are changed back as they were previously. The Inventory Transaction Register (AMV3G) shows the transaction as deleted.
- R** Reversed. If you type in A, this transaction is reactivated.
- E** Error. This code appears only after you have changed U to E.
- U** Unapplied. This code appears for transactions entered in immediate update mode that were not accepted because of errors. Transactions with code U must be changed to E (accept with error) or A (reactivate) before the batch can be closed. If you change U to E, no master files are updated.

[Contents](#)[Index](#)[Exit](#)

AMI3D22E—Inventory Transaction—Sales Shipment (SA) (Enter)

Use this display to report a sales shipment. This transaction is used to update the Item Sales file if the SA application is installed and interfacing, unless the item is not a sales analysis item.

COM can also generate an SA transaction automatically during the shipment confirmation process. If the item being shipped is a kit, COM creates an individual SA transaction for each component of the kit. This transaction is also used to update period sales information used by MRP and MPSP.

When a receipt (sales return, which is a negative quantity) is entered, an option allows you to check for orders that have shortages of the item received. If you take the option, the Dispatch Materials Inquiry display (AMI3D28E) appears and shows you where shortages exist in manufacturing or customer orders.

When an item is returned (through a negative transaction) and the item requires inspection on receipt, the QC status is set to waiting and the quantity on hand is not updated.

If the item has a quantity of zero in the specified location and the application is tailored to allow locations to go negative once or always, a new location record is created in the Sales Quantity (SLQTY) file during batch update. The location status is set to 10 (within shelf life inspection not required).

This display appears when you select option 18 or transaction code SA on display AMI3D01.

You can enter up to four Sales Shipment transactions on this display. A history area at the top of the display shows you the last valid Sales Shipment transaction entered in the batch.

```

DATE **/**/**          INVENTORY TRANSACTION          ENTER   AMI3D22E **
SALES SHIPMENT (SA)
ORDER      ITEM NUMBER  WHSE    QUANTITY  U/M      TRN AMT
*****    *****    ***    *****  **      *****

REFERENCE  REASON  DATE          LOCATION BATCH/LOT  FIFO DATE
*****    *****  *****    *****  *****  *****
-----
nn A2 aaaaaA7 aaaaaaaaaaaaaA15 aA3  nnnnnnn.nnn  A2  nnnnnnnnnnn.nnnn
aaaaaaaA10  aaaaA6  nnnnnn      aaaaaA7  aaaaaaaA10  nnnnnn

nn A2 aaaaaA7 aaaaaaaaaaaaaA15 aA3  nnnnnnn.nnn  A2  nnnnnnnnnnn.nnnn
aaaaaaaA10  aaaaA6  nnnnnn      aaaaaA7  aaaaaaaA10  nnnnnn

nn A2 aaaaaA7 aaaaaaaaaaaaaA15 aA3  nnnnnnn.nnn  A2  nnnnnnnnnnn.nnnn
aaaaaaaA10  aaaaA6  nnnnnn      aaaaaA7  aaaaaaaA10  nnnnnn

nn A2 aaaaaA7 aaaaaaaaaaaaaA15 aA3  nnnnnnn.nnn  A2  nnnnnnnnnnn.nnnn
aaaaaaaA10  aaaaA6  nnnnnn      aaaaaA7  aaaaaaaA10  nnnnnn

F09 REVIEW ALL
F10 RETURN TO SELECT
F17 ACCEPT W/ERROR

```


Contents	Index	Exit
--------------------------	-----------------------	----------------------

What to do

To enter transactions, type in the information you need for each transaction and press **Enter**.

- If one or more error messages appear, the transactions cannot be processed. You must change them, or use **F17** to accept them with error.
- If only information or warning messages appear, press **Enter** again to process the transactions shown. If the transactions are not correct, you should change them before pressing **Enter** again.
- If there are no errors, the transactions shown are processed and display AMI3D22E appears again so you can enter additional transactions.

Function keys

F09 REVIEW ALL causes the Inventory Transaction – Summary Review (Review) display (AMI3D31R) to appear so you can review a summary of the last 12 transactions in the batch.

F10 RETURN TO SELECT causes the Inventory Transaction – Transaction Selection (Select) display (AMI3D01) to appear again so you can select another transaction type.

F17 ACCEPT W/ERROR accepts transactions with error (E) messages and flags them as error transactions. You must correct these transactions before the Inventory Transaction Register report (AMV3G) is printed.

Note: **F17** is not required if only warning (W) messages appear. **F17** is only valid in batch update mode.

Fields

[?] appears next to a field name in the following field definitions to identify a field from which you can begin a master file search.

Each of the following fields appears four times on the display, once for each of the four transactions. You can duplicate any of the alphanumeric fields from the history area in the corresponding fields below the line by putting the cursor in the field, and then pressing the **DUP** key.

ORDER (Order Number). Type in the number of the customer order for this Sales Shipment transaction.

If COM is installed and interfacing with IM, a customer order number includes the company number and order type of the associated customer order. If COM is not installed and interfacing, enter a number to be used for tracking purposes.

ITEM NUMBER [?]. Required. Type in the number of the item shipped.

WHSE (Warehouse Code). Required if you have multiple warehouses defined in the Warehouse Master file. Type in the code of the warehouse where this item is stored. If you have only one warehouse, this field does not appear.

QUANTITY. Type in the quantity shipped.

Contents	Index	Exit
--------------------------	-----------------------	----------------------

U/M (Unit of Measure). Type in the stocking unit of measure or leave this field blank. If you leave the U/M field blank, the stocking unit of measure in the Item Master file is used.

TRN AMT (Transaction Amount). Type in the amount of this Sales Shipment transaction. This field must have the same sign (+ or -) as **QUANTITY**.

REFERENCE. Type in a user-defined value used for reference purposes only. It is printed on the Inventory Transaction Register report (AMV3G).

REASON. Type in a code explaining the reason for this transaction. This code is assigned by your company.

DATE. Type in the date of this transaction. If you leave this field blank, the transaction date entered on display AMI3D01 is used.

LOCATION [?]. A physical storage point within the warehouse. The stock location of the item, as stored in the Location Detail file. If you are using a controlled warehouse, this field is required. If your system is set up to use a default location, you can leave this field blank and the stocking location (WHS LC) from the Item Balance file is used.

BATCH/LOT. Type in the batch or lot number if you chose the batch/lot control option during application tailoring, and it applies to this item.

FIFO DATE (First-In-First-Out Date). Appears only if you selected the FIFO date integrity option during application tailoring. Type in the date when the batch/lot being shipped was received in stock, whether approved or unapproved. The default is the transaction date.

[Contents](#)[Index](#)[Exit](#)

AMI3D22B—Inventory Transaction—Sales Shipment (SA) (Review)

Use this display to change previously entered Sales Shipment transactions that were added to the transaction file in batch update mode. It appears only if you selected batch update during application tailoring.

This display appears when you select **F05 CHANGE**, while you are reviewing a Sales Shipment transaction on either the Inventory Transaction – Summary Review (Review) display (AMI3D31R), or the Inventory Transaction – Detail Review (Review) display (AMI3D32R).

This display also appears when you select **F02 PAGE FORWARD** or **F03 PAGE BACKWARD** on display AMI3D22B, and the next or the previous transaction is also a Sales Shipment transaction.

```

DATE **/**/**          INVENTORY TRANSACTION          REVIEW  AMI3D22B **
                        SALES SHIPMENT (SA)
ORDER  ITEM NUMBER    WHSE QUANTITY    U/M    TRN AMT
nn A2  aaaaaA7       aaaaaaaaaaaaaA15 aA3  nnnnnnn.nnn  A2  nnnnnnnnnnn.nnnn

REFERENCE  REASON  DATE          LOCATION BATCH/LOT  FIFO DATE
aaaaaaaaA10  aaaaA6  nnnnnn       aaaaaA7  aaaaaaaA10  nnnnnn
-----

```

```

F02 PAGE FORWARD
F03 PAGE BACKWARD
F09 REVIEW ALL
F10 RETURN TO SELECT
F17 ACCEPT W/ERROR
F20 DELETE RECORD

```

What to do

To change a transaction, type in the information you need to change and press **Enter**. The transaction is processed. Any changes made are checked for possible errors. Then either the next or the previous transaction in the batch appears, depending on whether you page forward or backward.

- If it is the same type transaction, display AMI3D22B appears again.
- If it is a different type transaction, the Inventory Transaction – Detail Review (Review) display (AMI3D32R) appears.

Function keys

F02 PAGE FORWARD causes the next transaction in the batch to appear. If it is the same transaction type, display AMI3D22B appears again. If it is a different transaction type, the Inventory Transaction – Detail Review (Review) display (AMI3D32R) appears.

Contents	Index	Exit
--------------------------	-----------------------	----------------------

F03 PAGE BACKWARD causes the previous transaction in the batch to appear. If it is the same transaction type, display AMI3D22B appears again. If it is a different transaction type, the Inventory Transaction – Detail Review (Review) display (AMI3D32R) appears.

F09 REVIEW ALL causes the Inventory Transaction – Summary Review (Review) display (AMI3D31R) to appear so you can review a summary of the next or the previous group of transactions in the batch appears, depending on whether you were paging forward or backward.

F10 RETURN TO SELECT causes the Inventory Transaction – Transaction Selection (Select) display (AMI3D01) to appear again so you can enter additional transactions.

F17 ACCEPT W/ERROR accepts transactions that appear with error (E) messages and flags them as error transactions. You must correct these transactions before the Inventory Transaction Register report (AMV3G) is printed.

Note: F17 is not required if only warning (W) messages.

F20 DELETE RECORD causes the Sales Shipment transaction shown to be deleted. The next or the previous transaction in the batch appears, depending on whether you were paging forward or backward.

If it is the same transaction type, display AMI3D22B appears again. If it is a different transaction type, the Inventory Transaction – Detail Review (Review) display (AMI3D32R) appears.

Fields

Any of the fields shown can be changed or the entire Sales Shipment transaction can be deleted using this display. Refer to “AMI3D22E—Inventory Transaction–Sales Shipment (SA) (Enter)” for an explanation of the fields on this display.

[Contents](#)[Index](#)[Exit](#)

AMI3D22I—Inventory Transaction—Sales Shipment (SA) (Review)

Use this display to review or reverse previously entered Sales Shipment transactions that were added to the transaction file in immediate update mode. It appears only if you selected immediate update during application tailoring.

This display appears when you select **F05 CHANGE** while you are reviewing a Sales Shipment transaction on either the Inventory Transaction – Summary Review (Review) display (AMI3D31R), or the Inventory Transaction – Detail Review (Review) display (AMI3D32R).

This display also appears when you select **F02 PAGE FORWARD** or **F03 PAGE BACKWARD** on display AMI3D22I and the next or the previous transaction is also a Sales Shipment transaction.

Note: When you are reviewing a batch that was loaded from an offline file, display AMI3D22B appears instead of this display.

DATE	**/**/**	INVENTORY TRANSACTION				REVIEW	AMI3D22I **
REV	ORDER	ITEM NUMBER	WHSE	QUANTITY	U/M	TRN	AMT
A	*****	*****	***	*****	**	*****	****
REFERENCE	REASON	DATE	LOCATION	BATCH/LOT	FIFO	DATE	
*****	*****	*****	*****	*****	*****	*****	

<p style="text-align: right;">F02 PAGE FORWARD F03 PAGE BACKWARD F09 REVIEW ALL F10 RETURN TO SELECT</p>							

What to do

To reverse a transaction, type **R** in the **REV** field and press **Enter**. The transaction shown on the display is reversed. Then, either the next or the previous transaction in the batch appears, depending on whether you page forward or backward.

- If it is the same type transaction, the AMI3D22I display appears again.
- If it is a different type transaction, the Inventory Transaction – Detail Review (Review) display (AMI3D32R) appears.

To correct an unapplied transaction (REV=U) type **E** (Error) or **A** (Active) in the **REV** field and press **Enter**. If you typed **A** in the **REV** field, the master files are updated. Then, either the next or the previous transaction in the batch appears, depending on whether you page forward or backward.

- If it is the same type transaction, the AMI3D22I display appears again.

Contents	Index	Exit
--------------------------	-----------------------	----------------------

- If it is a different type transaction, the Inventory Transaction – Detail Review (Review) display (AMI3D32R) appears.

Function keys

F02 PAGE FORWARD causes the next transaction in the batch to appear. If it is the same transaction type, display AMI3D22I appears again. If it is a different transaction type, the Inventory Transaction – Detail Review (Review) display (AMI3D32R) appears.

F03 PAGE BACKWARD causes the previous transaction in the batch to appear. If it is the same transaction type, display AMI3D22I appears again. If it is a different transaction type, the Inventory Transaction – Detail Review (Review) display (AMI3D32R) appears.

F09 REVIEW ALL causes the Inventory Transaction – Summary Review (Review) display (AMI3D31R) to appear so you can review a summary of the next or the previous group of transactions in the batch appears, depending on whether you were paging forward or backward.

F10 RETURN TO SELECT causes the Inventory Transaction – Transaction Selection (Select) display (AMI3D01) to appear again so you can enter additional transactions.

Fields

On this display, only the optional **REV** field can be typed in. All other fields are informational only. Refer to “AMI3D22E—Inventory Transaction–Sales Shipment (SA) (Enter)” for an explanation of these fields.

To change any of these fields, you must reverse this Sales Shipment transaction, with the reversal codes described below, and then retype it using display AMI3D22E.

REV (Reversal Code). This field contains one of the following:

- A** Active. This code appears for valid transactions. If you type in R, the transaction is reversed, and the master files are changed back as they were previously. The Inventory Transaction Register (AMV3G) shows the transaction as deleted.
- R** Reversed. If you type in A, this transaction is reactivated.
- E** Error. This code appears only after you have changed U to E.
- U** Unapplied. This code appears for transactions made in immediate update mode, that were not accepted because of errors. Before the batch can be closed, transactions with code U must be changed to either E (accept with error), or A (reactivate). If you change U to E, no master files are updated.

[Contents](#)[Index](#)[Exit](#)

AMI3D23E—Inventory Transaction—Manufacturing Component Scrap (SC) (Enter)

Use this display to report components that are scrapped on a manufacturing order. This transaction is valid only if manufacturing order tracking is supported and the open order status field in the Manufacturing Order Master file is not 45 (material complete), 55 (order complete), or 99 (canceled).

Scrapping a component does not affect the quantity allocated for that component. The total quantity allocated for a component is the sum of all unissued quantities for that component on all orders which have not been flagged as completed. The unissued quantity of a component on an order equals the quantity required (positive requirement only) minus the quantity issued. Scrap quantity is not considered. If there is a requirement for scrapped quantity to be reissued, add this quantity to the quantity required through Manufacturing Order Detail file maintenance or simply enter additions or Planned Manufacturing Issue transactions which, in effect, over-issue the item.

If manufacturing order tracking is supported, this display appears when you select option 19 or transaction code SC on display AMI3D01.

You can enter up to four Manufacturing Component Scrap transactions on this display. A history area at the top of the display shows you the last valid Manufacturing Component Scrap transaction in the batch.

DATE **/**/**	INVENTORY TRANSACTION MANUFACTURING COMPONENT SCRAP (SC)				ENTER	AMI3D23E **
ORDER *****	ITEM NUMBER *****	WHSE ***	QUANTITY *****	U/M ***	SEQ NO. ***	
	REFERENCE *****	REASON *****	DATE *****			
aaaaA7	aaaaaaaaA15 aaaaaaA10	aA3 aaaaA6	nnnnnn.nnn nnnnnn	A2	aaA4	
aaaaA7	aaaaaaaaA15 aaaaaaA10	aA3 aaaaA6	nnnnnn.nnn nnnnnn	A2	aaA4	
aaaaA7	aaaaaaaaA15 aaaaaaA10	aA3 aaaaA6	nnnnnn.nnn nnnnnn	A2	aaA4	
aaaaA7	aaaaaaaaA15 aaaaaaA10	aA3 aaaaA6	nnnnnn.nnn nnnnnn	A2	aaA4	

F09 REVIEW ALL
F10 RETURN TO SELECT
F17 ACCEPT W/ERROR

What to do

To enter transactions, type in the information you need for each transaction and press **Enter**.

- If one or more error messages appear, the transactions cannot be processed. You must change them, or use **F17** to accept them with error.

Contents	Index	Exit
--------------------------	-----------------------	----------------------

- If only information or warning messages appear, press **Enter** again to process the transactions shown. If the transactions are not correct, you should change them before pressing **Enter** again.
- If there are no errors, the transactions shown are processed and display AMI3D23E appears again so you can enter additional transactions.

Function keys

F09 REVIEW ALL causes the Inventory Transaction – Summary Review (Review) display (AMI3D31R) to appear so you can review a summary of the last 12 transactions in the batch.

F10 RETURN TO SELECT causes the Inventory Transaction – Transaction Selection (Select) display (AMI3D01) to appear again so you can select another transaction type.

F17 ACCEPT W/ERROR accepts transactions with error (E) messages and flags them as error transactions. You must correct these transactions before the Inventory Transaction Register report (AMV3G) is printed.

Note: F17 is not required if only warning (W) messages appear; and it is only valid in batch update mode.

Fields

[?] appears next to a field name in the following field definitions to identify a field from which you can begin a master file search.

Each of the following fields appears four times on the display, once for each of the four transactions. You can duplicate any of the alphanumeric fields from the history area in the corresponding fields below the line by putting the cursor in the field, and then pressing the **DUP** key.

ORDER (Order Number) [?]. Required. Type in the number of the manufacturing order on which this component is being scrapped. The order you enter can have a status of only released or started. (The order status must be less than 45, Material Complete.)

ITEM NUMBER [?]. Required. Type in the item number of the component scrapped.

WHSE (Warehouse Code). Required if you have multiple warehouses defined in the Warehouse Master file. Type in the code of the warehouse where this item is stored. If you have only one warehouse, this field does not appear.

QUANTITY. Required. Type in the quantity scrapped.

U/M (Unit of Measure). Type in the stocking unit of measure or leave this field blank. If you leave this field blank, the stocking unit of measure in the Item Master file is used.

SEQ NO. (Sequence Number). If the scrap is to be applied to a specific record in the Manufacturing Order Detail file (when more than one record exists on the order for the component), type in the user-assigned sequence number of the material detail record to review. This field appears only if user sequence numbers are supported in PDM.

Contents	Index	Exit
--------------------------	-----------------------	----------------------

REFERENCE. Type in a user-defined value used for reference purposes only. It is printed on the Inventory Transaction Register report (AMV3G).

REASON. Type in a code explaining the reason for this transaction. This code is assigned by your company.

DATE. Type in the date of this transaction. If you leave this field blank, the transaction date entered on display AMI3D01 is used.

Contents	Index	Exit
--------------------------	-----------------------	----------------------

AMI3D23B—Inventory Transaction—Manufacturing Component Scrap (SC) (Review)

Use this display to change previously entered Manufacturing Component Scrap transactions that were added to the transaction file in batch update mode. It appears only if you selected batch update during application tailoring.

This display appears when you select **F05 CHANGE** while you are reviewing a Manufacturing Component Scrap transaction on either the Inventory Transaction – Summary Review (Review) display (AMI3D31R), or the Inventory Transaction – Detail Review (Review) display (AMI3D32R).

This display also appears when you select **F02 PAGE FORWARD** or **F03 PAGE BACKWARD** on display AMI3D23B, and the next or the previous transaction is also a Manufacturing Component Scrap transaction.

DATE **/**/**	INVENTORY TRANSACTION				REVIEW	AMI3D23B **
	ORDER	ITEM NUMBER	WHSE	QUANTITY	U/M	SEQ NO.
	aaaaaA7	aaaaaaaaaaaA15	aA3	nnnnnnn.nnn	A2	aaA4
	REFERENCE	REASON	DATE			
	aaaaaaaA10	aaaaA6	nnnnnn			

						F02 PAGE FORWARD F03 PAGE BACKWARD F09 REVIEW ALL F10 RETURN TO SELECT F17 ACCEPT W/ERROR F20 DELETE RECORD

What to do

To change a transaction, type in the information you need to change and press **Enter**. The transaction is processed. Any changes made are checked for possible errors. Then either the next or the previous transaction in the batch appears, depending on whether you page forward or backward.

- If it is the same type transaction, display AMI3D23B appears again.
- If it is a different type transaction, the Inventory Transaction – Detail Review (Review) display (AMI3D32R) appears.

Function keys

F02 PAGE FORWARD causes the next transaction in the batch to appear. If it is the same transaction type, display AMI3D23B appears again. If it is a different

Contents	Index	Exit
--------------------------	-----------------------	----------------------

transaction type, the Inventory Transaction – Detail Review (Review) display (AMI3D31R) appears.

F03 PAGE BACKWARD causes the previous transaction in the batch to appear. If it is the same transaction type, display AMI3D23B appears again. If it is a different transaction type, the Inventory Transaction – Detail Review (Review) display (AMI3D32R) appears.

F09 REVIEW ALL causes the Inventory Transaction – Summary Review (Review) display (AMI3D31R) to appear so you can review a summary of the next or the previous group of transactions in the batch appears depending on whether you were paging forward or backward.

F10 RETURN TO SELECT causes the Inventory Transaction – Transaction Selection (Select) display (AMI3D01) to appear again so you can enter additional transactions.

F17 ACCEPT W/ERROR accepts transactions with error (E) messages and flags them as error transactions. You must correct these transactions before the Inventory Transaction Register report (AMV3G) is printed.

Note: F17 is not required if only warning (W) messages appear.

F20 DELETE RECORD causes the Manufacturing Component Scrap transaction shown to be deleted. Either the next or the previous transaction in the batch appears depending on whether you were paging forward or backward.

If it is the same transaction type, display AMI3D23B appears again. If it is a different transaction type, the Inventory Transaction – Detail Review (Review) display (AMI3D32R) appears.

Fields

Any of the fields shown can be changed or the entire Manufacturing Component Scrap transaction can be deleted using this display. Refer to “AMI3D23E—Inventory Transaction–Manufacturing Component Scrap (SC) (Enter)” for an explanation of the fields on this display.

[Contents](#)[Index](#)[Exit](#)

AMI3D23I—Inventory Transaction—Manufacturing Component Scrap (SC) (Review)

Use this display to review or reverse previously entered Manufacturing Component Scrap transactions that were added to the transaction file in immediate update mode. It appears only if immediate update was selected during application tailoring.

This display appears when you select **F05 CHANGE**, while reviewing a Manufacturing Component Scrap transaction on either the Inventory Transaction – Summary Review (Review) display (AMI3D31R), or the Inventory Transaction – Detail Review (Review) display (AMI3D32R).

This display also appears when you select **F02 PAGE FORWARD** or **F03 PAGE BACKWARD** on display AMI3D23I and the next or the previous transaction is also a Manufacturing Component Scrap transaction.

Note: When you are reviewing a batch that was loaded from an offline file, display AMI3D23B appears instead of this display.

```

DATE **/**/**          INVENTORY TRANSACTION          REVIEW  AMI3D23I **
                        MANUFACTURING COMPONENT SCRAP (SC)
REV      ORDER  ITEM NUMBER  WHSE  QUANTITY  U/M      SEQ NO.
A        *****  *****
                                     *****
                                REFERENCE  REASON  DATE
                                *****  *****  *****
-----

```

```

F02 PAGE FORWARD
F03 PAGE BACKWARD
F09 REVIEW ALL
F10 RETURN TO SELECT

```

What to do

To reverse a transaction, type **R** in the **REV** field and press **Enter**. The transaction shown on the display is reversed. Then, either the next or the previous transaction in the batch appears, depending on whether you page forward or backward.

- If it is the same type transaction, the AMI3D23I display appears again.
- If it is a different type transaction, the Inventory Transaction – Detail Review (Review) display (AMI3D32R) appears.

To correct an unapplied transaction (REV=U) type **E** (Error) or **A** (Active) in the **REV** field and press **Enter**. If you typed A in the **REV** field, the master files are updated. Then, either the next or the previous transaction in the batch appears, depending on whether you page forward or backward.

Contents	Index	Exit
--------------------------	-----------------------	----------------------

- If it is the same type transaction, the AMI3D23I display appears again.
- If it is a different type transaction, the Inventory Transaction – Detail Review (Review) display (AMI3D32R) appears.

Function keys

F02 PAGE FORWARD causes the next transaction in the batch to appear. If it is the same transaction type, display AMI3D23I appears again. If it is a different transaction type, the Inventory Transaction – Detail Review (Review) display (AMI3D32R) appears.

F03 PAGE BACKWARD causes the previous transaction in the batch to appear. If it is the same transaction type, display AMI3D23I appears again. If it is a different transaction type, the Inventory Transaction – Detail Review (Review) display (AMI3D32R) appears.

F09 REVIEW ALL causes the Inventory Transaction – Summary Review (Review) display (AMI3D31R) to appear so you can review a summary of the next or the previous group of transactions in the batch appears, depending on whether you were paging forward or backward.

F10 RETURN TO SELECT causes the Inventory Transaction – Transaction Selection (Select) display (AMI3D01) to appear again so you can enter additional transactions.

Fields

On this display, only the optional **REV** field can be typed in. All other fields are informational only. Refer to “AMI3D23E—Inventory Transaction—Manufacturing Component Scrap (SC) (Enter)” for an explanation of these fields.

To change any of these fields, you must reverse this Manufacturing Component Scrap transaction, with the reversal codes described below, and retype it using display AMI3D23E.

REV (Reversal Code). This field contains one of the following:

- A** Active. This code appears for valid transactions. If you type in R, the transaction is reversed, and the master files are changed back as they were previously. The Inventory Transaction Register (AMV3G) shows the transaction as deleted.
- R** Reversed. If you type in A, this transaction is reactivated.
- E** Error. This code appears only after you have changed U to E.
- U** Unapplied. This code appears for transactions made in immediate update mode, that were not accepted because of errors. Before the batch can be closed, transactions with code U must be changed to either E (accept with error), or A (reactivate). If you change U to E, no master files are updated.

[Contents](#)[Index](#)[Exit](#)

AMI3D24E—Inventory Transaction—Manufacturing Order Scrap (SM) (Enter)

Use this display to report scrapping of partially completed end items on a manufacturing order. This transaction is valid only if manufacturing order tracking is supported, if PC&C is not installed and interfacing, and if the open order status field in the Manufacturing Order Master file does not equal 45 (material complete), 55 (order complete), or 99 (canceled).

When Manufacturing Order Scrap is reported, controlled floor stock components must be accounted for (if any exist) as an issue to update the item balance. When the scrap is entered, the Controlled Floor Stock Component Issue display (AMI3D27E) appears, showing you the planned (expected) manufacturing issues. The issues can be accepted as planned, or you can enter exceptions if not all controlled floor stock components were scrapped.

If manufacturing order tracking is supported and PC&C is not installed and interfacing, this display appears when you select option 20 or transaction code SM on display AMI3D01.

You can enter only one Manufacturing Order Scrap transaction on this display. A history area at the top of the display shows you the last valid Manufacturing Order Scrap transaction in the batch.

DATE **/**/**	INVENTORY TRANSACTION				ENTER	AMI3D24E **
ORDER	ITEM NUMBER	WHSE	QUANTITY	U/M		
*****	*****	***	*****	***		**
		REFERENCE	REASON	DATE		
		*****	*****	*****		

* aaaaaA7	aaaaaaaaaaaaA15	aA3	nnnnnnn.nnn	A2		
	aaaaaaaA10	aaaaA6	nnnnnn			

F09 REVIEW ALL
F10 RETURN TO SELECT
F17 ACCEPT W/ERROR

What to do

To enter transactions, type in the information you need for each transaction and press **Enter**.

- If one or more error messages appear, the transactions cannot be processed. You must change them, or use **F17** to accept them with error.

Contents	Index	Exit
--------------------------	-----------------------	----------------------

- If only information or warning messages appear, press **Enter** again to process the transactions shown. If the transactions are not correct, you should change them before pressing **Enter** again.
- If there are no errors, the transactions shown are processed and display AMI3D24E appears again so you can enter additional transactions.

Function keys

F09 REVIEW ALL causes the Inventory Transaction – Summary Review (Review) display (AMI3D31R) to appear so you can review a summary of the last 12 transactions in the batch.

F10 RETURN TO SELECT causes the Inventory Transaction – Transaction Selection (Select) display (AMI3D01) to appear again so you can select another transaction type.

F17 ACCEPT W/ERROR accepts transactions with error (E) messages and flags them as error transactions. You must correct these transactions before the Inventory Transaction Register report (AMV3G) is printed.

Note: F17 is not required if only warning (W) messages appear.

Fields

[?] appears next to a field name in the following field definitions to identify a field from which you can begin a master file search.

You can duplicate any of the alphanumeric fields from the history area in the corresponding field below the line by putting the cursor in the field, and then pressing the **DUP** key.

ORDER (Order Number) [?]. Required. Type in the number of the manufacturing order for this Manufacturing Order Scrap transaction. The order you enter must not be either complete or canceled. (The order status must be “less than 45, Material Complete.”)

ITEM NUMBER [?]. Required. Type in the number of the end item being scrapped.

WHSE (Warehouse Code). Required if you have multiple warehouses defined in the Warehouse Master file. Type in the code of the warehouse where this item is stored. If you have only one warehouse, this field does not appear.

QUANTITY. Type in the quantity being scrapped.

U/M (Unit of Measure). Required. Type in the stocking unit of measure or leave this field blank. If you leave this field blank, the stocking unit of measure in the Item Master file is used.

REFERENCE. Type in a user-defined value to be used for reference purposes only. It is printed on the Inventory Transaction Register report (AMV3G).

REASON. Type in a code explaining the reason for this transaction. This code is assigned by your company.

Contents	Index	Exit
--------------------------	-----------------------	----------------------

DATE. Type in the date of this transaction. If you leave this field blank, the transaction date entered on display AMI3D01 is used.

[Contents](#)[Index](#)[Exit](#)

AMI3D24B—Inventory Transaction—Manufacturing Order Scrap (SM) (Review)

Use this display to change previously entered Manufacturing Order Scrap transactions that were added to the transaction file in batch update mode. It appears only if batch update was selected during application tailoring.

This display appears when you select **F05 CHANGE**, while reviewing a Manufacturing Order Scrap transaction on either the Inventory Transaction – Summary Review (Review) display (AMI3D31R), or the Inventory Transaction – Detail Review (Review) display (AMI3D32R).

This display also appears when you select **F02 PAGE FORWARD** or **F03 PAGE BACKWARD** on display AMI3D24B and the next or the previous transaction is also a Manufacturing Order Scrap transaction.

DATE **/**/**	INVENTORY TRANSACTION				REVIEW	AMI3D24B **
	ORDER	ITEM NUMBER	WHSE	QUANTITY	U/M	
	aaaaaA7	aaaaaaaaaaaA15	aA3	nnnnnnn.nnn	A2	
	REFERENCE	REASON	DATE			
	aaaaaaaA10	aaaaA6	nnnnnn			

F02 PAGE FORWARD F03 PAGE BACKWARD F09 REVIEW ALL F10 RETURN TO SELECT F17 ACCEPT W/ERROR F20 DELETE RECORD						

What to do

To change a transaction, type in the information you need to change and press **Enter**. The transaction is processed. Any changes made are checked for possible errors. Then either the next or the previous transaction in the batch appears, depending on whether you page forward or backward.

- If it is the same type transaction, display AMI3D24B appears again.
- If it is a different type transaction, the Inventory Transaction – Detail Review (Review) display (AMI3D32R) appears.

Function keys

F02 PAGE FORWARD causes the next transaction in the batch to appear. If it is the same transaction type, display AMI3D24B appears again. If it is a different

Contents	Index	Exit
--------------------------	-----------------------	----------------------

transaction type, the Inventory Transaction – Detail Review (Review) display (AMI3D32R) appears.

F03 PAGE BACKWARD causes the previous transaction in the batch to appear. If it is the same transaction type, display AMI3D24B appears again. If it is a different transaction type, the Inventory Transaction – Detail Review (Review) display (AMI3D32R) appears.

F09 REVIEW ALL causes the Inventory Transaction – Summary Review (Review) display (AMI3D31R) to appear so you can review a summary of the next or the previous group of transactions in the batch appears depending on whether you were paging forward or backward.

F10 RETURN TO SELECT causes the Inventory Transaction – Transaction Selection (Select) display (AMI3D01) to appear again so you can enter additional transactions.

F17 ACCEPT W/ERROR accepts transactions with error (E) messages and flags them as error transactions. You must correct these transactions before the Inventory Transaction Register report (AMV3G) is printed.

Note: F17 is not required if only warning (W) messages appear.

F20 DELETE RECORD causes the Manufacturing Order Scrap transaction shown to be deleted. Either the next or the previous transaction in the batch depending on whether you were paging forward or backward.

If it is the same transaction type, display AMI3D24B appears again. If it is a different transaction type, the Inventory Transaction – Detail Review (Review) display (AMI3D32R) appears.

Fields

Any of the fields shown can be changed or the entire Manufacturing Order Scrap transaction can be deleted using this display. Refer to “AMI3D24E—Inventory Transaction–Manufacturing Order Scrap (SM) (Enter)” for an explanation of the fields on this display.

[Contents](#)[Index](#)[Exit](#)

AMI3D24I—Inventory Transaction—Manufacturing Order Scrap (SM) (Review)

Use this display to review previously entered Manufacturing Order Scrap transactions that were added to the transaction file in immediate update mode. It appears only if immediate update was selected during application tailoring.

This display appears when you select **F05 CHANGE**, while you are reviewing a Manufacturing Order Scrap transaction on either the Inventory Transaction – Summary Review (Review) display (AMI3D31R), or the Inventory Transaction – Detail Review (Review) display (AMI3D32R).

This display also appears when you select **F02 PAGE FORWARD** or **F03 PAGE BACKWARD** on display AMI3D24I and the next or the previous transaction is also a Manufacturing Order Scrap transaction.

Note: When you are reviewing a batch that was loaded from an offline file, display AMI3D24B appears instead of this display.

DATE **/**/**	INVENTORY TRANSACTION				REVIEW	AMI3D24I **
	ORDER	ITEM NUMBER	WHSE	QUANTITY	U/M	
	*****	*****	***	*****	***	**
	REFERENCE	REASON	DATE			
	*****	*****	*****			

<p style="text-align: right;">F02 PAGE FORWARD F03 PAGE BACKWARD F09 REVIEW ALL F10 RETURN TO SELECT</p>						

What to do

To review another transaction, press **Enter**. Either the next or the previous transaction in the batch appears, depending on whether you page forward or backward.

- If it is the same transaction type, display AMI3D24I appears.
- If it is a different transaction type, the Inventory Transaction – Detail Review (Review) display (AMI3D32R) appears.

Contents	Index	Exit
--------------------------	-----------------------	----------------------

Function keys

F02 PAGE FORWARD causes the next transaction in the batch to appear. If it is the same transaction type, display AMI3D24I appears again. If it is a different transaction type, the Inventory Transaction – Detail Review (Review) display (AMI3D32R) appears.

F03 PAGE BACKWARD causes the previous transaction in the batch to appear. If it is the same transaction type, display AMI3D24I appears again. If it is a different transaction type, the Inventory Transaction – Detail Review (Review) display (AMI3D32R) appears.

F09 REVIEW ALL causes the Inventory Transaction – Summary Review (Review) display (AMI3D31R) to appear so you can review a summary of the next or the previous group of transactions in the batch appears depending on whether you were paging forward or backward.

F10 RETURN TO SELECT causes the Inventory Transaction – Transaction Selection (Select) display (AMI3D01) to appear again so you can enter additional transactions.

Fields

All of the fields on this display are informational only. Refer to “AMI3D24E—Inventory Transaction–Manufacturing Order Scrap (SM) (Enter)” for an explanation of these fields.

Note: To change any of these fields, you must reverse the Manufacturing Order Scrap transaction and retype it. To reverse the transaction, enter the Manufacturing Order Scrap transaction again with a negative quantity. Then you can enter the correct Manufacturing Order Scrap transaction.

Contents	Index	Exit
--------------------------	-----------------------	----------------------

AMI3D25E—Inventory Transaction—Purchase Order Scrap (SP) (Enter)

Use this display to report items that have been scrapped on a purchase order. This transaction is valid only if purchase order tracking is supported and if used before the item is placed in stock.

If this transaction is selected for an item in a controlled warehouse that does require inspection, you must complete an item rejected (RQ) transaction to reject the item and then choose a Scrap from Stock (SS) transaction if a Purchase Receipt to Inspection (RI) had previously been used to put the stock into a location.

This display appears, if purchase order tracking is supported, when you select option 21 or transaction code SP on display AMI3D01.

You can enter up to four Purchase Order Scrap transactions on this display. A history area at the top of the display shows you the last valid Purchase Order Scrap transaction in the batch.

DATE **/**/**	INVENTORY TRANSACTION					ENTER	AMI3D25E **	
ORDER	ITEM NUMBER	WHSE	PURCHASE ORDER	QUANTITY	U/M	SEQ.	BLK	VENDOR
*****	*****	***	*****	***	**	***	****	*****
REFERENCE	REASON	DATE						
*****	*****	*****						

* aaaaaA7	aaaaaaaaaaaaA15	aA3	nnnnnnn.nnn	A2	nnn	nnnn	aaaaA6	
aaaaaaaA10	aaaaA6 nnnnnn							
* aaaaaA7	aaaaaaaaaaaaA15	aA3	nnnnnnn.nnn	A2	nnn	nnnn	aaaaA6	
aaaaaaaA10	aaaaA6 nnnnnn							
* aaaaaA7	aaaaaaaaaaaaA15	aA3	nnnnnnn.nnn	A2	nnn	nnnn	aaaaA6	
aaaaaaaA10	aaaaA6 nnnnnn							
* aaaaaA7	aaaaaaaaaaaaA15	aA3	nnnnnnn.nnn	A2	nnn	nnnn	aaaaA6	
aaaaaaaA10	aaaaA6 nnnnnn							

F09 REVIEW ALL
 F10 RETURN TO SELECT
 F17 ACCEPT W/ERROR

What to do

To enter transactions, type in the information you need for each transaction and press **Enter**.

- If one or more error messages appear, the transactions cannot be processed. You must change them, or use **F17** to accept them with error.
- If only information or warning messages appear, press **Enter** again to process the transactions shown. If the transactions are not correct, you should change them before pressing **Enter** again.
- If there are no errors, the transactions shown are processed and display AMI3D25E appears again so you can enter additional transactions.

Contents	Index	Exit
--------------------------	-----------------------	----------------------

Function keys

F09 REVIEW ALL causes the Inventory Transaction – Summary Review (Review) display (AMI3D31R) to appear so you can review a summary of the last 12 transactions in the batch.

F10 RETURN TO SELECT causes the Inventory Transaction – Transaction Selection (Select) display (AMI3D01) to appear again so you can select another transaction type.

F17 ACCEPT W/ERROR accepts transactions with error (E) messages and flags them as error transactions. You must correct these transactions before the Inventory Transaction Register report (AMV3G) is printed.

Note: F17 is not required if only warning (W) messages appear. F17 is only valid in batch update mode.

Fields

[?] appears next to a field name in the following field definitions to identify a field from which you can begin a master file search.

Each of the following fields appears four times on the display, once for each of the four transactions. You can duplicate any of the alphanumeric fields from the history area in the corresponding fields below the line by putting the cursor in the field, and then pressing the **DUP** key.

ORDER (Order Number) [?]. Required. Type in the number of the purchase order on which this item is being scrapped.

ITEM NUMBER [?]. Required. Type in the number of the item scrapped.

WHSE (Warehouse Code). Required if you have multiple warehouses defined in the Warehouse Master file. Type in the code of the warehouse where this item is stored. If you have only one warehouse, this field does not appear.

QUANTITY. Required. Type in the quantity scrapped.

U/M (Unit of Measure). If the **QUANTITY** field value is expressed in purchase units, type in the purchase unit of measure. If the **QUANTITY** field value is expressed in stocking units, type in the stocking unit of measure or leave this field blank. If you leave the **U/M** field blank, the stocking unit of measure in the Item Master file is used.

SEQ. (Line Item Sequence). Type in the line item sequence number for miscellaneous and service items. Leave this field blank for inventory items.

BLK (Blanket Release). Type in the blanket release number if this is a blanket purchase order and to apply the scrap to a specific release. If you leave this field blank and this is a blanket purchase order, the receipt is applied to the oldest open release. Any remaining quantity is applied to the next oldest release(s) until the quantity is fully applied.

VENDOR. Type in the number of the vendor supplying this item to print the number on the Inventory Transaction Register report (AMV3G). This field does not appear if

Contents	Index	Exit
--------------------------	-----------------------	----------------------

Purchasing is installed. If Purchasing is installed the vendor from the purchase order prints on the Inventory Transaction Register report (AMV3G).

REFERENCE. Type in a user-defined value used for reference purposes only. It is printed on the Inventory Transaction Register report (AMV3G).

REASON. Type in a code explaining the reason for this transaction. This code is assigned by your company.

DATE. Type in the date of this transaction. If you leave this field blank, the transaction date entered on display AMI3D01 is used.

[Contents](#)[Index](#)[Exit](#)

AMI3D25B—Inventory Transaction—Purchase Order Scrap (SP) (Review)

Use this display to change previously entered Purchase Order Scrap transactions that were added to the transaction file in batch update mode. It appears only if batch update was selected during application tailoring.

This display appears when you select **F05 CHANGE**, while you are reviewing a Purchase Order Scrap transaction on either the Inventory Transaction – Summary Review (Review) display (AMI3D31R), or the Inventory Transaction – Detail Review (Review) display (AMI3D32R).

This display also appears when you select **F02 PAGE FORWARD** or **F03 PAGE BACKWARD** on display AMI3D25B, and the next or the previous transaction is also a Purchase Order Scrap transaction.

```

DATE **/**/**          INVENTORY TRANSACTION          REVIEW  AMI3D25B **
                        PURCHASE ORDER SCRAP (SP)
ORDER  ITEM NUMBER    WHSE  QUANTITY  U/M  SEQ.  BLK  VENDOR
aaaaa7 aaaaaaaaaaaaA15 aA3  nnnnnnn.nnn  A2  nnn  nnnn  aaaaA6

REFERENCE  REASON  DATE
aaaaaaaA10  aaaaA6  nnnnnn
-----

```

```

F02 PAGE FORWARD
F03 PAGE BACKWARD
F09 REVIEW ALL
F10 RETURN TO SELECT
F17 ACCEPT W/ERROR
F20 DELETE RECORD

```

What to do

To change a transaction, type in the information you need to change and press **Enter**. The transaction is processed. Any changes made are checked for possible errors. Then either the next or the previous transaction in the batch appears, depending on whether you page forward or backward.

- If it is the same type transaction, display AMI3D25B appears again.
- If it is a different type transaction, the Inventory Transaction – Detail Review (Review) display (AMI3D32R) appears.

Function keys

F02 PAGE FORWARD causes the next transaction in the batch to appear. If it is the same transaction type, display AMI3D25B appears again. If it is a different transaction type, the Inventory Transaction – Detail Review (Review) display (AMI3D32R) appears.

Contents	Index	Exit
--------------------------	-----------------------	----------------------

F03 PAGE BACKWARD causes the previous transaction in the batch to appear. If it is the same transaction type, display AMI3D25B appears again. If it is a different transaction type, the Inventory Transaction – Detail Review (Review) display (AMI3D32R) appears.

F09 REVIEW ALL causes the Inventory Transaction – Summary Review (Review) display (AMI3D31R) to appear so you can see a summary of the next or the previous group of transactions in the batch depending on whether you were paging forward or backward.

F10 RETURN TO SELECT causes the Inventory Transaction – Transaction Selection (Select) display (AMI3D01) to appear again so you can enter additional transactions.

F17 ACCEPT W/ERROR accepts any transactions shown with error (E) messages and flags them as error transactions. You must correct these transactions before the Inventory Transaction Register report (AMV3G) is printed.

Note: F17 is not required if only warning (W) messages are shown.

F20 DELETE RECORD causes the Purchase Order Scrap transaction shown to be deleted. Either the next or the previous transaction in the batch appears depending on whether you were paging forward or backward.

If it is the same transaction type, display AMI3D25B appears again. If it is a different transaction type, the Inventory Transaction – Detail Review (Review) display (AMI3D32R) appears.

Fields

Refer to “AMI3D25E—Inventory Transaction–Purchase Order Scrap (SP) (Enter)” for an explanation of the fields on this display. Any of the fields shown can be changed, or the entire Purchase Order Scrap transaction can be deleted using this display.

[Contents](#)[Index](#)[Exit](#)

AMI3D25I—Inventory Transaction—Purchase Order Scrap (SP) (Review)

Use this display to review or reverse previously entered Purchase Order Scrap transactions that were added to the transaction file in immediate update mode. It appears only if immediate update was selected during application tailoring.

This display appears when you select **F05 CHANGE**, while you are reviewing a Purchase Order Scrap transaction on either the Inventory Transaction – Summary Review (Review) display (AMI3D31R), or the Inventory Transaction – Detail Review (Review) display (AMI3D32R)

This display also appears when you select **F02 PAGE FORWARD** or **F03 PAGE BACKWARD** on display AMI3D25I and the next or the previous transaction is also a Purchase Order Scrap transaction.

Note: When you are reviewing a batch that was loaded from an offline file, display AMI3D25B appears instead of this display.

DATE	**/**/**	INVENTORY TRANSACTION				REVIEW	AMI3D25I	**
REV	ORDER	ITEM NUMBER	WHSE	QUANTITY	U/M	SEQ.	BLK	VENDOR
A	*****	*****	***	*****	**	***	***	*****
REFERENCE	REASON	DATE						
*****	*****	*****						

						F02 PAGE FORWARD		
						F03 PAGE BACKWARD		
						F09 REVIEW ALL		
						F10 RETURN TO SELECT		

What to do

To reverse a transaction, type **R** in the **REV** field and press **Enter**. The transaction shown on the display is reversed. Then, either the next or the previous transaction in the batch appears, depending on whether you page forward or backward.

- If it is the same type transaction, the AMI3D25I display appears again.
- If it is a different type transaction, the Inventory Transaction – Detail Review (Review) display (AMI3D32R) appears.

To correct an unapplied transaction (REV=U) type **E** (Error) or **A** (Active) in the **REV** field and press **Enter**. If you typed A in the **REV** field, the master files are updated. Then, either the next or the previous transaction in the batch appears, depending on whether you page forward or backward.

- If it is the same type transaction, the AMI3D25I display appears again.

Contents	Index	Exit
--------------------------	-----------------------	----------------------

- If it is a different type transaction, the Inventory Transaction – Detail Review (Review) display (AMI3D32R) appears.

Function keys

F02 PAGE FORWARD causes the next transaction in the batch to appear. If it is the same transaction type, display AMI3D25I appears again. If it is a different transaction type, the Inventory Transaction – Detail Review (Review) display (AMI3D32R) appears.

F03 PAGE BACKWARD causes the previous transaction in the batch to appear. If it is the same transaction type, display AMI3D25I appears again. If it is a different transaction type, the Inventory Transaction – Detail Review (Review) display (AMI3D32R) appears.

F09 REVIEW ALL causes the Inventory Transaction – Summary Review (Review) display (AMI3D31R) to appear so you can review a summary of the next or the previous group of transactions in the batch depending on whether you were paging forward or backward.

F10 RETURN TO SELECT causes the Inventory Transaction – Transaction Selection (Select) display (AMI3D01) to appear again so you can enter additional transactions.

Fields

On this display, only the optional **REV** field can be typed in. All other fields are informational only. Refer to “AMI3D25E—Inventory Transaction–Purchase Order Scrap (SP) (Enter)” for an explanation of these fields.

To change any of these fields, you must reverse this Purchase Order Scrap transaction, with the reversal codes described below, and retype it using display AMI3D25E.

REV (Reversal Code). This field contains one of the following codes:

- A** Active. This code appears for valid transactions. If you type in R, the transaction is reversed, and the master files are changed back as they were previously. The Inventory Transaction Register (AMV3G) shows the transaction as deleted.
- R** Reversed. If you type in A, this transaction is reactivated.
- E** Error. This code appears only after you have changed U to E.
- U** Unapplied. This code appears for transactions entered in immediate update mode that were not accepted because of errors. Transactions with code U must be changed to E (accept with error) or A (reactivate) before the batch can be closed. If you change U to E, no master files are updated.

[Contents](#)[Index](#)[Exit](#)

AMI3D26E—Inventory Transaction—Scrap From Stock (SS) (Enter)

Use this display to report items that have been scrapped from stock due to spoilage, breakage, or other reasons. This transaction is the only scrap transaction that decreases the quantity on hand. The quantity on hand will not be decreased if the location of the item has been rejected.

This display appears when you select option 22 or transaction code SS on display AMI3D01.

You can enter up to four Scrap From Stock transactions on this display. A history area at the top of the display shows you the last valid Scrap From Stock transaction in the batch.

DATE **/**/**	INVENTORY TRANSACTION				ENTER	AMI3D26E **
	ITEM NUMBER	WHSE	QUANTITY	U/M		
	*****	***	*****	**		
REFERENCE	REASON	DATE	LOCATION	BATCH/LOT	FIFO	DATE
*****	*****	*****	*****	*****	*****	*****
* aaaaaaaA10	aaaaaaaaaaaA15 aaaaA6	nnnnnn	aA3 aaaaA7	nnnnnnn.nnn aaaaA7	A2 aaaaaaaA10	nnnnnn
* aaaaaaaA10	aaaaaaaaaaaA15 aaaaA6	nnnnnn	aA3 aaaaA7	nnnnnnn.nnn aaaaA7	A2 aaaaaaaA10	nnnnnn
* aaaaaaaA10	aaaaaaaaaaaA15 aaaaA6	nnnnnn	aA3 aaaaA7	nnnnnnn.nnn aaaaA7	A2 aaaaaaaA10	nnnnnn
* aaaaaaaA10	aaaaaaaaaaaA15 aaaaA6	nnnnnn	aA3 aaaaA7	nnnnnnn.nnn aaaaA7	A2 aaaaaaaA10	nnnnnn

F09 REVIEW ALL
F10 RETURN TO SELECT
F17 ACCEPT W/ERROR

What to do

To enter transactions, type in the information you need for each transaction and press **Enter**.

- If one or more error messages appear, the transactions cannot be processed. You must change them, or use **F17** to accept them with error.
- If only information or warning messages appear, press **Enter** again to process the transactions shown. If the transactions are not correct, you should change them before pressing **Enter** again.
- If there are no errors, the transactions shown are processed and display AMI3D26E appears again so you can enter additional transactions.

Function keys

F09 REVIEW ALL causes the Inventory Transaction – Summary Review (Review) display (AMI3D31R) to appear so you can review a summary of the last 12 transactions in the batch.

[Contents](#)[Index](#)[Exit](#)

F10 RETURN TO SELECT causes the Inventory Transaction – Transaction Selection (Select) display (AMI3D01) to appear again so you can select another transaction type.

F17 ACCEPT W/ERROR accepts any transactions shown with error (E) messages and flags them as error transactions. You must correct these transactions before the Inventory Transaction Register report (AMV3G) is printed.

Note: F17 is not required if only warning (W) messages appear. F17 is only valid in batch update mode.

Fields

[?] appears next to a field name in the following field definitions to identify a field from which you can begin a master file search.

Each of the following fields appears four times on the display, once for each of the four transactions. You can duplicate any of the alphanumeric fields from the history area in the corresponding fields below the line by putting the cursor in the field, and then pressing the **DUP** key.

ITEM NUMBER [?]. Required. Type in the number of the item scrapped from stock.

WHSE (Warehouse Code). Required if you have multiple warehouses defined in the Warehouse Master file. Type in the code of the warehouse where this item is stored. If you have only one warehouse, this field does not appear.

QUANTITY. Required. Type in the quantity scrapped from stock.

U/M (Unit of Measure). Type in the stocking unit of measure or leave this field blank. If you leave this field blank, the stocking unit of measure in the Item Master file is used.

REFERENCE. Type in a user-defined value to be used for reference purposes only. It is printed on the Inventory Transaction Register report (AMV3G).

REASON. Type in a code explaining the reason for this transaction. This code is assigned by your company.

DATE. Type in the date of this transaction. If you leave this field blank, the transaction date entered on display AMI3D01 is used.

LOCATION [?]. Required if you are using a controlled warehouse. A physical storage point within the warehouse. The stock location of the item, as stored in the Location Detail file. If your system is set up to use a default location, you can leave this field blank and the stocking location (WHSLC) from the Item Balance file is used.

BATCH/LOT. Type in the batch or lot number if you chose the batch/lot control option during application tailoring, and it applies to this item.

FIFO DATE (First-In-First-Out Date). Appears only if the FIFO date integrity option was selected during application tailoring. Type in the date when the batch/lot being scrapped was received in stock. The default is the transaction date.

[Contents](#)[Index](#)[Exit](#)

AMI3D26B—Inventory Transaction—Scrap From Stock (SS) (Review)

Use this display to change previously entered Scrap From Stock transactions that were added to the transaction file in batch update mode. It appears only if batch update was selected during application tailoring.

This display appears when you select **F05 CHANGE**, while you are reviewing a Scrap From Stock transaction on either the Inventory Transaction – Summary Review (Review) display (AMI3D31R), or the Inventory Transaction – Detail Review (Review) display (AMI3D32R).

This display also appears when you select **F02 PAGE FORWARD** or **F03 PAGE BACKWARD** on display AMI3D26B, and the next or the previous transaction is also a Scrap From Stock transaction.

```

DATE **/**/**          INVENTORY TRANSACTION          REVIEW   AMI3D26B **
                        SCRAP FROM STOCK (SS)
                        ITEM NUMBER  WHSE  QUANTITY  U/M
                        aaaaaaaaaA15  aA3  nnnnnnn.nnn  A2

REFERENCE  REASON  DATE          LOCATION BATCH/LOT  FIFO DATE
aaaaaaaA10  aaaaA6  nnnnnn          aaaaaA7  aaaaaaA10  nnnnnn
-----

```

```

F02 PAGE FORWARD
F03 PAGE BACKWARD
F09 REVIEW ALL
F10 RETURN TO SELECT
F17 ACCEPT W/ERROR
F20 DELETE RECORD

```

What to do

To change a transaction, type in the information you need to change and press **Enter**. The transaction is processed. Any changes made are checked for possible errors. Then either the next or the previous transaction in the batch appears, depending on whether you page forward or backward.

- If it is the same type transaction, display AMI3D26B appears again.
- If it is a different type transaction, the Inventory Transaction – Detail Review (Review) display (AMI3D32R) appears.

Function keys

F02 PAGE FORWARD causes the next transaction in the batch to appear. If it is the same transaction type, display AMI3D26B appears again. If it is a different transaction type, the Inventory Transaction – Detail Review (Review) display (AMI3D32R) appears.

Contents	Index	Exit
--------------------------	-----------------------	----------------------

F03 PAGE BACKWARD causes the previous transaction in the batch to appear. If it is the same transaction type, display AMI3D26B appears again. If it is a different transaction type, the Inventory Transaction – Detail Review (Review) display (AMI3D32R) appears.

F09 REVIEW ALL causes the Inventory Transaction – Summary Review (Review) display (AMI3D31R) to appear, so you can review a summary of the next or the previous group of transactions in the batch depending on whether you were paging forward or backward.

F10 RETURN TO SELECT causes the Inventory Transaction – Transaction Selection (Select) display (AMI3D01) to appear again so you can enter additional transactions.

F17 ACCEPT W/ERROR accepts any transactions shown with error (E) messages and flags them as error transactions. You must correct these transactions before the Inventory Transaction Register report (AMV3G) is printed.

Note: F17 is not required if only warning (W) messages appear.

F20 DELETE RECORD causes the Scrap From Stock transaction shown to be deleted. Either the next or the previous transaction in the batch appears depending on whether you were paging forward or backward. If it is the same transaction type, display AMI3D26B appears again. If it is a different transaction type, the Inventory Transaction – Detail Review (Review) display (AMI3D32R) appears.

Fields

Any of the fields shown can be changed, or the entire Scrap From Stock transaction can be deleted using this display. Refer to “AMI3D26E—Inventory Transaction—Scrap From Stock (SS) (Enter)” for an explanation of the fields on this display.

[Contents](#)[Index](#)[Exit](#)

AMI3D26I—Inventory Transaction—Scrap From Stock (SS) (Review)

Use this display to review or reverse previously entered Scrap From Stock transactions that were added to the transaction file in immediate update mode. It appears only if immediate update was selected during application tailoring.

This display appears when you select **F05 CHANGE**, while you are reviewing a Scrap From Stock transaction on either the Inventory Transaction – Summary Review (Review) display (AMI3D31R), or the Inventory Transaction – Detail Review (Review) display (AMI3D32R).

This display also appears when you select **F02 PAGE FORWARD** or **F03 PAGE BACKWARD** on display AMI3D26I and the next or the previous transaction is also a Scrap From Stock transaction.

Note: When you are reviewing a batch that was loaded from an offline file, display AMI3D26B appears instead of this display.

DATE **/**/**	INVENTORY TRANSACTION			REVIEW	AMI3D26I **
REV	ITEM NUMBER	WHSE	QUANTITY	U/M	
A	*****	***	*****	**	
REFERENCE	REASON	DATE	LOCATION	BATCH/LOT	FIFO DATE
*****	*****	*****	*****	*****	*****

F02 PAGE FORWARD F03 PAGE BACKWARD F09 REVIEW ALL F10 RETURN TO SELECT					

What to do

To reverse a transaction, type **R** in the **REV** field and press **Enter**. The transaction shown on the display is reversed. Then, either the next or the previous transaction in the batch appears, depending on whether you page forward or backward.

- If it is the same type transaction, the AMI3D26I display appears again.
- If it is a different type transaction, the Inventory Transaction – Detail Review (Review) display (AMI3D32R) appears.

To correct an unapplied transaction (REV=U) type E (Error) or A (Active) in the **REV** field and press **Enter**. If you typed A in the **REV** field, the master files are updated. Then, either the next or the previous transaction in the batch appears, depending on whether you page forward or backward.

- If it is the same type transaction, the AMI3D26I display appears again.

Contents	Index	Exit
-----------------	--------------	-------------

- If it is a different type transaction, the Inventory Transaction – Detail Review (Review) display (AMI3D32R) appears.

Function keys

F02 PAGE FORWARD causes the next transaction in the batch to appear. If it is the same transaction type, display AMI3D26I appears again. If it is a different transaction type, the Inventory Transaction – Detail Review (Review) display (AMI3D32R) appears.

F03 PAGE BACKWARD causes the previous transaction in the batch to appear. If it is the same transaction type, display AMI3D26I appears again. If it is a different transaction type, the Inventory Transaction – Detail Review (Review) display (AMI3D32R) appears.

F09 REVIEW ALL causes the Inventory Transaction – Summary Review (Review) display (AMI3D31R) to appear so you can review a summary of the next or the previous group of transactions in the batch depending on whether you were paging forward or backward.

F10 RETURN TO SELECT causes the Inventory Transaction – Transaction Selection (Select) display (AMI3D01) to appear again so you can enter additional transactions.

Fields

On this display, only the optional **REV** field can be typed in. All other fields are informational only. Refer to “AMI3D26E—Inventory Transaction—Scrap From Stock (SS) (Enter)” for an explanation of these fields.

To change any of these fields, you must reverse this Scrap From Stock transaction, with the reversal codes described below, and retype it using display AMI3D26E.

REV (Reversal Code). This field contains one of the following codes:

- A** Active. This code appears for valid transactions. If you type in R, the transaction is reversed, and the master files are restored to what they were previously. The Inventory Transaction Register (AMV3G) shows the transaction as deleted.
- R** Reversed. If you type in A, this transaction is reactivated.
- E** Error. This code appears only after you have changed U to E.
- U** Unapplied. This code appears for transactions entered in immediate update mode that were not accepted because of errors. Transactions with code U must be changed to E (accept with error) or A (reactivate) before the batch can be closed. If you change U to E, no master files are updated.

Contents	Index	Exit
--------------------------	-----------------------	----------------------

AMI3D27E—Inventory Transaction—Controlled Floor Stock Component Issue (Enter)

Use this display to verify and accept component issues of controlled floor stock items during entry of Production Receipt and Manufacturing Order Scrap transactions. You can also adjust individual controlled floor stock issues for a manufacturing order.

This display appears when the Production Receipt (RM) transaction or Manufacturing Order Scrap (SM) transaction is used to report consumption of material to fill a manufacturing order. The order, parent item, and quantity consumed are displayed, along with the components used in production or scrapped. The components displayed are the controlled floor stock components planned for the order.

When the work-in-process area is active, the component quantity is decreased from the WIP area. If the quantity in the WIP area is insufficient for the planned manufacturing issue, an error message requests you to specify the next location to draw from.

If the consumption was as planned, pressing **Enter** causes the displayed components to be backflushed to record the issue and decrease the item balance. If the consumption was not as planned, exceptions can be entered before the components are backflushed to record the issues and decrease the item balance.

The master files will reflect the update of the RM or SM transaction. Please refer to "Backing out entries" for information on backing out entries if you wish to reverse the effect of the RM or SM transaction.

This display appears when you press **Enter** on display AMI3D18E or AMI3D24E and the parent item received or scrapped contains controlled floor stock items.

If you came from display AMI3D18E, the **PRODUCTION RECEIPT** field appears in the middle of the display. If you came from display AMI3D24E, the **MANUFACTURING ORDER SCRAP** field appears in the middle of the display.

The display has three main parts: the top of the display identifies the order, the parent item, the transaction quantity, and the open quantity; the lines in the middle of the display identify controlled floor stock items allocated for the order as well as issues reported; and an entry line at the bottom of the display allows you to change the quantity issued for any of the controlled floor stock items.

Contents	Index	Exit
--------------------------	-----------------------	----------------------

```

DATE **/**/**                INVENTORY TRANSACTION          ENTER  AMI3D27E **
                             CONTROLLED FLOOR STOCK COMPONENT ISSUE
                             ORDER  ITEM NUMBER  WHSE  TRAN QTY  OPEN QTY CMP CD
                             *****  *****  ***  *****  *****  *
-----
                             *****
LINE COMP      WHSE WHSE  SEQ. U/M      QTY      ISSUED      PENDING
NO.  ITEM NUMBER  LOC  NO.      REQ'D    TO-DATE    ISSUES
* *****  ***  *****  **** *  *****  ***  *****  ***
* *****  ***  *****  **** *  *****  ***  *****  ***
* *****  ***  *****  **** *  *****  ***  *****  ***
* *****  ***  *****  **** *  *****  ***  *****  ***
* *****  ***  *****  **** *  *****  ***  *****  ***
* *****  ***  *****  **** *  *****  ***  *****  ***
* *****  ***  *****  **** *  *****  ***  *****  ***
* *****  ***  *****  **** *  *****  ***  *****  ***
-----
ENTER EXCEPTIONS:
LINE NO. n  QTY ISSUED      nnnnnnn.nnn      F02 PAGE FORWARD
                                           F03 PAGE BACKWARD
                                           F06 IGNORE CHANGES
                                           F08 ACCEPT CHANGES
    
```

What to do

To change a quantity shown, type in the line number and the new quantity and press **Enter**.

- If you typed in values in the **LINE NO.** and **QTY ISSUED** fields, display AMI3D27E appears again with an updated **PENDING ISSUES** column and with blanks in the **LINE NO.** and **QTY ISSUED** fields to allow entry of another exception quantity.
- If you did not type in values in the **LINE NO.** and **QTY ISSUED** fields, display AMI3D27E appears again with the next or the previous page of controlled floor stock items depending on whether you page forward or backward.

Function keys

F02 PAGE FORWARD causes the next page of controlled floor stock items to appear if MORE appears at the bottom of the display. If the **END** field is shown, the first page of items appears again.

F03 PAGE BACKWARD causes the previous page of controlled floor stock items to appear, unless the first page is already shown.

F06 IGNORE CHANGES causes the Production Receipt or Manufacturing Order Scrap transaction you entered to be rejected and display AMI3D18E or AMI3D24E to appear again.

F08 ACCEPT CHANGES creates Planned Manufacturing Issue transactions in the transaction file based on the **PENDING ISSUES** quantity on each line and causes display AMI3D18E or AMI3D24E to appear again:

Contents	Index	Exit
--------------------------	-----------------------	----------------------

- If you are processing an RM transaction and no stock is available in the WIP area, display AMI3D14L appears so you can enter the location from which to pick the item.
- If you are checking shortages and there is a potential shortage, display AMI3D18E or AMI3D24E appears again with a line number next to the Production Receipt or Manufacturing Order Scrap transaction so you can check shortages for the item.
- If you are not checking shortages, or there are no potential shortages, display AMI3D18E or AMI3D24E appears so you can enter another Production Receipt or Manufacturing Order Scrap transaction.

Fields

[?] appears next to a field name in the following field definitions to identify a field from which you can begin a master file search.

Data in the **ORDER**, **ITEM NUMBER**, and **WHSE** fields is entered on display AMI3D18E or AMI3D24E. Data in the **CMP CD** field is entered on display AMI3D18E. Refer to "AMI3D18E—Inventory Transaction—Production Receipt (RM) (Enter)" or "AMI3D24E—Inventory Transaction—Manufacturing Order Scrap (SM) (Enter)" for a description of these fields.

The other fields are described below.

TRAN QTY. The quantity entered on the previous display. It is either the quantity reported received or the quantity of partially manufactured parent items scrapped.

OPEN QTY. The remaining quantity yet to be received into stock on the order. (ORQTY + QTDEV - QTSPL - QTSCP - QTYRC). If yield is applied to the order, actual scrap is not subtracted from the order until it exceeds the planned order scrap.

LINE NO. Required for exceptions. The sequence number of the component items on the display.

COMP ITEM NUMBER [?]. The number of a controlled floor stock item on this order.

WHSE (Warehouse Code). The code of the warehouse where this controlled floor stock item is stored. If you have only one warehouse, this field does not appear.

WHSE LOC (Warehouse Location) [?]. The user-defined code from the Item Balance file that defines the location of this item within the warehouse. If your system is set up to use a default location, the stocking location (WHSLC) from the Item Balance file appears in this field.

SEQ. NO. The sequence number of that record in the Manufacturing Order Detail file if there is more than one record for this controlled floor stock item on the order.

U/M (Unit of Measure). The stocking unit of measure for this controlled floor stock item.

QTY REQ'D (Quantity Required). The quantity of this controlled floor stock item originally required to complete the order.

Contents	Index	Exit
--------------------------	-----------------------	----------------------

ISSUED TO-DATE. The quantity of this controlled floor stock item already issued to the order.

PENDING ISSUES. If you typed in the quantity issued for this controlled floor stock item, this field contains the value you typed in the **QTY ISSUED** field.

If you did not type in the quantity issued but you typed in the quantity on display AMI3D18E or AMI3D24E, this field contains the value of the **QUANTITY** field times quantity per.

If you did not type in the quantity issued on display AMI3D18E, this field contains the **QTY REQ'D** field value minus the **ISSUED TO-DATE** field value.

LINE NO. Required for exceptions. Type in the line number of the controlled floor stock item for which you want to change the quantity issued. The line number appears to the left of the **COMPONENT ITEM NUMBER** field.

QTY ISSUED (Quantity Issued). Required for exceptions. Type in the actual quantity issued. Pressing **Enter** causes this value to be placed in the **PENDING ISSUES** column.

AMI3D28E—Inventory Transaction—Dispatch Materials Inquiry (Enter)

Use this display to review manufacturing and customer order shortages when entering receipt transactions.

This display appears when you enter a valid line number to check shortages on the following receipt displays:

- AMI3D09E
- AMI3D15E through AMI3D22E
- or AMI3D34E, AMI3D35E, AMI3D36E.

This display has two parts: the top of the display contains information from the Item Balance file and from the display you just left; the bottom of the display contains a list of the manufacturing and customer orders having shortages of the item shown at the top of the display.

```

DATE **/**/**                INVENTORY TRANSACTION          ENTER  AMI3D28E **
                             DISPATCH MATERIALS INQUIRY
                             ITEM NUMBER  WHSE  WHS LOC  QTY RCVD  ORD RCVD
                             *****
-----
                             *****
ORDER  CUSTOMER OR  WHSE  PLNR  QTY  QTY  REQ'D  OPER
NO.    ITEM NUMBER  WHSE  PLNR  REQ'D SHORT  DATE  W/U
*****
***** ***** **
***** ***** **
***** ***** **
***** ***** **
***** ***** **
***** ***** **
***** ***** **
***** ***** **
***** ***** **
...MORE
-----
                                     F16 RETURN
    
```

What to do

To review another transaction, press **Enter**. Display AMI3D28E appears again with the next page of orders. If there are no more orders, the previous display appears again. You can either select another item for reviewing shortages, or continue entering transactions.

Function keys

F16 RETURN causes the previous display to appear again. You can either select another item for displaying shortages, or continue making transactions.

Contents	Index	Exit
--------------------------	-----------------------	----------------------

Fields

[?] appears next to a field name in the following field definitions to identify a field from which you can begin a master file search.

All of the fields on this display are informational only.

ITEM NUMBER [?]. The item number selected on the previous display.

WHSE (Warehouse Code). The code of the warehouse where this item is stored. If you have only one warehouse, this field does not appear.

WHS LOC (Warehouse Location) [?]. The user-defined code from the Item Balance file that defines the location of the item within the warehouse.

QTY RCVD (Quantity Received). The quantity that is entered on the previous display.

ORD RCVD (Order Received). One of the following values depending on the type of transaction requesting this display:

ORD RCVD	Requesting Display	
Manufacturing order number	Production Receipt or	AMI3D18E
	Component Return to Stock	AMI3D20E
Purchase order number	Purchase Receipt to Dock	AMI3D16E
		AMI3D34E
	Purchase Receipt to Inspection	AMI3D17E
		AMI3D35E
	Purchase Receipt to Stock	AMI3D19E
		AMI3D36E
	Purchase Order Vendor Accept	AMI3D37E
	Purchase Return to Vendor	AMI3D38E
INV ADJ	Inventory Adjustment	AMI3D05E
MSC REC	Miscellaneous Receipt	AMI3D15E
SLS RET	Sales Shipment	AMI3D22E
WHS REC	Interwarehouse Transfer or	AMI3D09E
	Interwarehouse Receipt	AMI3D21E

ORDER NO. (Order Number). The number of either a manufacturing order or a customer order that has a shortage of the selected item.

If COM is installed and interfacing with IM, a customer order number includes the company number and order type of the associated customer order.

CUSTOMER OR ITEM NUMBER [?]. The parent item number for a manufacturing order. Or the customer number for a customer order.

WHSE (Warehouse Code). The code of the warehouse where the end item is stored for a manufacturing order. This field is not shown for a customer order.

PLNR (Planner). Number assigned by your company to identify the person responsible for planning the replenishment strategy for this item. MRP and MPSP, if

Contents	Index	Exit
--------------------------	-----------------------	----------------------

installed, use this field as a limit for selection and for sequencing Order Status reports. This field does not appear for a customer order.

QTY REQ'D (Quantity Required). The original order quantity.

QTY SHORT (Quantity Short). The quantity still required for this order. For a manufacturing order, the quantity required minus the quantity issued. For a customer order, the order quantity minus the quantity shipped.

REQ'D DATE (Required Date). The date the order is required to be completed. For a manufacturing order, it is the date from the Manufacturing Order Detail file. For a customer order, it is the date from the Customer Order Item Detail file.

OPER W/U (Operation Where Used). The first operation where the component item is used for a manufacturing order. This field is not shown for a customer order.

[Contents](#)[Index](#)[Exit](#)

AMI3D29—Inventory Transaction, Batch Status

Use this display to review the status of the batch being worked on and, to delete, suspend, or close the batch.

This display appears when you select **F24** on display AMI3D01.

DATE **/**/**	INVENTORY TRANSACTION BATCH STATUS			AMI3D29 **
BATCH NUMBER ***				
BATCH TOTALS	QUANTITY	AMOUNT	NO OF TRANS	NO OF ERRORS
*****.***	*****.****	*****	*****	*****
				F20 DELETE BATCH F23 SUSPEND BATCH F24 CLOSE BATCH

What to do

To delete, suspend, or close the batch, use one of the function keys listed on the display. Press **Enter** to go to display AMI3D01.

Function keys

F20 DELETE BATCH deletes the batch of data you entered. You are asked to select **F20** again to be sure that the first selection was not in error. After the second selection of **F20**, the batch is deleted. **F20** appears and it is only valid in batch update mode.

F23 SUSPEND BATCH marks the current transaction entry batch as suspended. If batch update (transaction register) is run, the suspended batch is not included.

F24 CLOSE BATCH marks the current transaction batch as closed. If batch update (transaction register) is run before reentry, you cannot update this batch. Master files are updated with these batch records.

If the batch includes immediate update transactions with a U (unapplied) reversal code, **F24** does not appear. You cannot close the batch until you have changed all reversal codes to A or E.

Contents	Index	Exit
--------------------------	-----------------------	----------------------

Fields

BATCH NUMBER. The sequential number assigned by the application to identify the batch.

BATCH TOTALS.

QUANTITY. An accumulation of the quantity values of all valid transactions submitted for entry into the batch.

AMOUNT. An accumulation of the amount values of all valid transactions submitted for entry into the batch.

NO OF TRANS (Number of Transactions). A count of all transactions entered into the batch.

NO OF ERRORS. The total number of transactions in the batch that have a reversal code of E or U.

I

[Contents](#)[Index](#)[Exit](#)

AMI3D31R—Inventory Transaction, Summary Review (Review)

Use this display to review a group of inventory transactions previously entered in the batch.

This display appears when you select **F04 REVIEW ALL** on the Inventory Transaction, Transaction Selection (Select) display (AMI3D01), the Inventory Transaction, Detail Review (Review) display (AMI3D32R), or any of the individual transaction entry or review displays.

This display also appears when you select an existing batch on the Data Entry Control display (AMI3Z1).

The top of the display contains a summary of 6 of the transactions in the current batch. The bottom of the display contains an entry field for selecting one of these transactions for detail review.

```

DATE **/**/**          INVENTORY TRANSACTION          REVIEW   AMI3D31R **
                        SUMMARY REVIEW
REF RV TR              ITEM NUMBER    WH  SEQ  BLK  QUANTITY  U/M  CMP
NO.  CD CD ORDER                                     TRAN/REPL AMT
**** * ** *****
**** * ** *****
**** * ** *****
**** * ** *****
**** * ** *****
**** * ** *****
*****
-----
ENTER REFERENCE NO.  nnnn

                                USE ROLL UP/DOWN
                                F05 CHANGE
                                F10 RETURN TO SELECT

```

What to do

- To look at one of the transactions listed in more detail, type in its reference number and press **Enter**. Go to display AMI3D32R.
- To change or delete one of the transactions shown, type in its reference number and use **F05**. The display for the kind of transaction you chose appears.
- To enter additional inventory transactions or to look at the status of the batch, use **F10** to return to display AMI3D01.

Function keys

F05 CHANGE causes the transaction review display for the transaction you selected to appear. This allows you to change, delete, or reverse the transaction. This function key is only valid if you type in a reference number.

[Contents](#)[Index](#)[Exit](#)

Depending on the security controls established by your company, you may not have access to all transaction types. Should you select to change a transaction type for which you are not authorized, the application will issue a message.

F10 RETURN TO SELECT causes the Inventory Transaction – Transaction Selection (Select) display (AMI3D01) to appear again. You can enter additional transactions.

Fields

[\[?\]](#) appears next to a field name in the following field definitions to identify a field from which you can begin a master file search.

REF NO. (Reference Number). A system-assigned reference number for each of the transactions shown. Type in one of these numbers at the bottom of the display to see the detail for one of the transactions shown.

RV CD (Reversal Code). The status of the transaction within the batch:

blank Active. This code appears for valid transactions.

E Error. This transaction was accepted with errors when you selected **F17** during batch update, or when you changed U to E during immediate update.

U Unapplied. This code appears for transactions made in immediate update mode that were not accepted because of errors. Before the batch can be closed, transactions with code U must be changed to either E (accept with error), or A (reactivate). If you change U to E, no master files are updated.

TR CD (Transaction Code). For IM, the transaction types are:

CA	Cost adjustment
CL	Component transfer to line
CN	Component transfer to stores
CR	Average cost replace
CS	Standard cost replace
CU	Standard unit cost default replacement
IA	Inventory adjustment
IP	Planned manufacture issue
IS	Miscellaneous issue
IU	Unplanned component issue
IW	Interwarehouse issue
MQ	Manufacturing item QC complete
PH	Physical inventory update
PQ	Purchase item QC complete
RC	Miscellaneous receipt
RM	Production receipt
RP	P.O. receipt to stock
RQ	Shelf life expired - reject
RS	Component return to stock
RW	Interwarehouse receipt
SA	Sales shipment
SC	Manufacturing component scrap
SM	Manufacturing order scrap
SP	Purchase order scrap
SQ	QC status change
SS	Scrap from stock
VR	Purchase return to vendor

ORDER. The manufacturing, purchase, or customer order number associated with this transaction. If COM is installed and interfacing with IM, a customer order number includes the company number and order type of the associated customer order.

ITEM NUMBER [?]. The item number associated with this transaction.

WH (Warehouse Code). The code of the warehouse where this item is stored.

SEQ (User Sequence). If the transaction is associated with a manufacturing order, this field can contain a user sequence number. If the transaction is associated with a purchase order, it is the sequence number of a miscellaneous or service item.

BLK (Blanket Release Number). If the transaction is associated with a blanket purchase order, this field can contain a blanket release number.

QUANTITY. The quantity of the item associated with this transaction.

UM (Unit of Measure). The unit of measure entered with the transaction.

Contents	Index	Exit
--------------------------	-----------------------	----------------------

CMP (Completion Code). A code indicating the status of a production receipt (RM) or a purchase receipt to stock (RP) transaction.

C	Receipt complete
P or blank	Partial receipt
R	Completed order has been reopened

TRAN/REPL AMOUNT (Transaction or Cost Replace Amount). The amount of the transaction.

ENTER REFERENCE NO. Type in the reference number of one of the transactions on the display.

[Contents](#)[Index](#)[Exit](#)

AMI3D32R—Inventory Transaction, Detail Review (Review)

Use this display to review an Inventory transaction previously entered in the batch.

This display appears when you enter a reference number on the Inventory Transaction, Summary Review (Review) display (AMI3D31R). This display also appears when you press **Enter**, or select **F02**, **F03**, or **F20** on a Transaction Review display.

```

DATE **/**/**                INVENTORY TRANSACTION                REVIEW    AMI3D32R **
                              DETAIL REVIEW
TR
CD  ORDER                    ITEM NUMBER                WHSE    QUANTITY    U/M  CMP  SEQ.  BLK
**  *          *          *          *          *          *          *          *
*****

      TRAN AMOUNT  REFERENCE  REASON  DATE  COST RPL  AMT  LOCATION  BATCH/LOT
*****  *          *          *          *          *          *          *
*****

FIFO DATE                GRN                                GRN INV <Y/N>  VENDOR
*****                *          *          *          *          *          *
-----

                                ** PAGING FORWARD

                                F02 PAGE FORWARD
                                F03 PAGE BACKWARD
                                F05 CHANGE
                                F09 REVIEW ALL
                                F10 RETURN TO SELECT

```

What to do

- To review another inventory transaction, press **Enter**. This display appears again with either the next or the previous transaction in the batch, depending on whether you page forward or backward.
- To begin a search, type a question mark [?] in the **ITEM NUMBER** or **LOCATION** field and press **Enter**.

Function keys

F02 PAGE FORWARD causes display AMI3D32R to appear again with the next transaction in the batch.

F03 PAGE BACKWARD causes display AMI3D32R to appear again with the previous transaction in the batch.

F05 CHANGE causes the transaction review display for this transaction to appear. This display allows you to change, delete, or reverse the transaction.

Depending on the security controls established by your company, you may not have access to all transaction types. Should you select a transaction type for which you are not authorized, the application will issue a message.

Contents	Index	Exit
--------------------------	-----------------------	----------------------

F09 REVIEW ALL causes the Inventory Transaction – Summary Review (Review) display (AMI3D31R) to appear so you can review a summary of the next or the previous group of transactions in the batch depending on whether you were paging forward or backward.

F10 RETURN TO SELECT causes the Inventory Transaction – Transaction Selection (Select) display (AMI3D01) to appear again. You can enter additional transactions.

Fields

[?] appears next to a field name in the following field definitions to identify a field from which you can begin a master file search.

All of the fields on this display are informational only. To change any of these fields, press **F05 CHANGE**.

TR CD (Transaction Code). For IM, the transaction types are:

CA	Cost adjustment
CL	Component transfer to line
CN	Component transfer to stores
CR	Average cost replace
CS	Standard cost replace
CU	Standard unit cost default replacement
IA	Inventory adjustment
IP	Planned manufacture issue
IS	Miscellaneous issue
IU	Unplanned component issue
IW	Interwarehouse issue
MQ	Manufacturing item QC complete
PH	Physical inventory update
PQ	Purchase item QC complete
RC	Miscellaneous receipt
RM	Production receipt
RP	P.O. receipt to stock
RQ	Shelf life expired - reject
RS	Component return to stock
RW	Interwarehouse receipt
SA	Sales shipment
SC	Manufacturing component scrap
SM	Manufacturing order scrap
SP	Purchase order scrap
SQ	QC status change
SS	Scrap from stock
VR	Purchase return to vendor

ORDER. The manufacturing or purchase order number associated with this transaction. If COM is installed and interfacing with IM, a customer order number includes the company number and order type of the associated customer order.

ITEM NUMBER [?]. The item number associated with this transaction.

WHSE (Warehouse Code). The code of the warehouse where this item is stored. If you have only one warehouse, this field does not appear. If this is an interwarehouse transfer, both the issuing and receiving warehouse codes are shown.

QUANTITY. The quantity of the item associated with this transaction.

U/M (Unit of Measure). The unit of measure entered with the transaction.

CMP (Completion Code). A code indicating the status of a production receipt (RM) or a purchase receipt to stock (RP) transaction.

C	Receipt complete
P or blank	Partial receipt
R	Completed order has been reopened

SEQ. (User Sequence or Line Item Sequence). If the transaction is associated with a purchase order, this field can contain a line item sequence number. If the transaction is associated with a manufacturing order, this field can contain a user sequence number. If this field is blank, neither number is entered with the transaction.

BLK (Blanket Release). If the transaction is associated with a blanket purchase order, this field can contain a blanket release number.

TRAN AMOUNT (Transaction Amount). The amount of the transaction. This field is not required; however, if you enter an amount, a Cost Adjustment (CA) is made to the cost field in the Item Balance file.

REFERENCE. A user-defined value used for reference purposes only. It is printed on the Inventory Transaction Register report (AMV3G).

REASON. A code explaining the reason for this transaction.

DATE. The date of this transaction.

COST RPL AMT. The monetary amount associated with item cost transactions (transaction codes CA, CR, and CS).

LOCATION [?]. The stock location of the item.

BATCH/LOT. Unique identification of a specific batch or lot of an item. When an item is defined as having batch/lot control, all transactions involving that item must carry the batch/lot number. This field can be used only if the Batch/Lot Control option was selected during application tailoring.

FIFO DATE (First-in-first-out Date). The date when the item was received in stock or issued from stock. This field appears only if you selected the FIFO date integrity option during application tailoring.

GRN (Goods Received Note). This field appears if you selected the GRN option during application tailoring or if IFM is installed and interfacing. The number of the goods received note that corresponds to a receipt. This field is user-defined and can represent a receiving ticket, a bill of lading, or an IFM invoice number. The GRN is used by the accounts payable department to check that invoiced items were actually received.

[Contents](#)[Index](#)[Exit](#)

GRN INV (Goods Received Notes Invoice). Type in one of the following to describe the use of the GRN field:

Y GRN is an invoice number

N GRN is being used to match another document, such as a bill of lading

blank This is the default.

VENDOR. The vendor supplying this item.

The following fields only appear when you review an Unplanned Component Issue (IU) transaction:

DESCRIPTION. A description of the item issued.

TOTAL QUANTITY. The total quantity of the component required for the order.

ADJ QTY PER. Type in the adjusted quantity per of this component used in each parent item.

STD QTY PER. Type in the standard quantity per of this component used in each parent item.

If the Backflush code for the item on this order is 2 (standard quantity per), you can enter a standard quantity per that is different from the adjusted quantity per. When the component is backflushed, the standard quantity per will be used. If you backflush at standard, you must account for material used in excess of the standard quantity using scrap transactions. If the Backflush code is 1 (adjusted quantity per), the **STD QTY PER** field is not used.

REQUIRED DATE. Date when this component item must be available to the shop floor for the order. For Repetitive schedules, this date is automatically generated. For manufacturing orders, this date can be entered during order release or allocation maintenance. If no date was entered and the component has no lead time offset in the product structure, this is the scheduled start date. If no date was entered and the component has a lead time adjustment in the product structure, this date is the order due date less the component lead time adjustment from the product structure file.

OPERATION USED. The sequence number of the first operation in which this component is used in the parent item.

Contents	Index	Exit
--------------------------	-----------------------	----------------------

AMI3D33E—Inventory Transaction—Purchase Order Update Routings (UR) (Enter)

Use this display to type Purchase Order Update Routings transactions into the selected batch.

If Purchasing is installed, this display appears when you select option 24 or transaction code UR on display AMI3D01.

```

DATE **/**/**          INVENTORY TRANSACTION          ENTER          AMI3D33E **

      PURCHASE ORDER UPDATE ROUTINGS (UR)
      OP  ORDER  ITEM NUMBER  WHSE  QUANTITY  U/M  SEQ.  BLK
      aaA4  aaaaaA7  aaaaaaaaaaaaA15  aA3  nnnnnnn.nnn  A2  nnn  nnnn

REFERENCE  REASON  DATE  HOURS
aaaaaaaA10  aaaaA6  nnnnnn  99999.99

                                         F09 REVIEW ALL
                                         F10 RETURN TO SELECT
    
```

What to do

To enter a transaction, type in the information you need and press **Enter**.

- If one or more error messages appear, you must correct the errors before the transactions can be processed.
- If only information or warning messages appear, press **Enter** again to process the transactions shown. If the transactions are not correct, you should change them before pressing **Enter** again.
- If there are no errors, the transactions shown are processed. Depending on the value of the transaction code in the Purchase Order Routing file, one of the following displays appears:

TCODE	Display	
blank	Purchase Order Update Routings	AMI3D33E
PQ	Purchase Item QC Complete	AMIQH5
RD	Purchase Receipt to Dock	AMI3D34R
RI	Purchase Receipt to Inspection	AMI3D35R
RP	Purchase Receipt to Stock	AMI3D36R
VA	Purchase Order Vendor Accept	AMI3D37R

Contents	Index	Exit
--------------------------	-----------------------	----------------------

1. For items that require inspection on receipt, the valid transaction types are:
 - VA
 - RD
 - RP
 - RP
2. For items that do not require inspection on receipt, the valid transaction types are:
 - VA
 - RD
 - RP

Function keys

F09 REVIEW ALL causes the Inventory Transaction – Summary Review (Review) display (AMI3D31R) to appear so you can review a summary of the last 12 transactions in the batch.

F10 RETURN TO SELECT causes the Inventory Transaction – Transaction Selection (Select) display (AMI3D01) to appear again so you can select another transaction type.

Fields

[?] appears next to a field name in the following field definitions to identify a field from which you can begin a master file search.

OP (Operation Number). Required. Type in the operation sequence number corresponding to the routing for this transaction. If the operation has a transaction code associated with it, the corresponding transaction entry display will appear.

ORDER (Order Number) [?]. Required. Type in the number of the purchase order for this transaction.

ITEM NUMBER [?]. Required. Type in the number of the item ordered.

WHSE (Warehouse Code). Required if you have multiple warehouses defined in the Warehouse Master file. Type in the code of the warehouse where this item is stored. If you have only one warehouse, this field does not appear.

QUANTITY. Required. Type in the quantity received.

U/M (Unit of Measure). If the **QUANTITY** field value is expressed in purchase units, type in the purchase unit of measure. If the **QUANTITY** field value is expressed in stocking units, type in the stocking unit of measure or leave this field blank. If you leave this field blank, the stocking unit of measure in the Item Master file is used.

SEQ. (Line Item Sequence). Type in the line item sequence number for miscellaneous and service items. Leave this field blank for inventory items.

BLK (Blanket Release). Type in the blanket release number if this is a blanket purchase order and you want the routing associated with a specific release. If you leave this field blank and this is a blanket purchase order, an error message appears.

Contents	Index	Exit
--------------------------	-----------------------	----------------------

REFERENCE. Type in a user-defined value to be used for reference purposes only. It is printed on the Inventory Transaction Register report (AMV3G).

REASON. Type in a code explaining the reason for this transaction. This code is assigned by your company.

DATE. Type in the date of this transaction. If you leave this field blank, the transaction date type in on display AMI3D01 is used.

HOURS. Type in the amount of time spent on this operation.

Contents	Index	Exit
--------------------------	-----------------------	----------------------

AMI3D33B—Inventory Transaction—Purchase Order Update Routings (UR) (Review)

Use this display to change previous Purchase Order Update Routings transactions that were added to the transaction file in Batch Update mode. It appears only if batch update was selected during application tailoring.

This display appears when you select either **F05 CHANGE**, while you are reviewing a Purchase Order Update Routings transaction on either the Inventory Transaction – Summary Review (Review) display (AMI3D31R), or the Inventory Transaction – Detail Review (Review) display (AMI3D32R).

This display also appears when you select either **F02 PAGE FORWARD** or **F03 PAGE BACKWARD** on display AMI3D33B, and the next or the previous transaction is also a Purchase Order Update Routings transaction.

```

DATE **/**/**                INVENTORY TRANSACTION          REVIEW  AMI3D33B **
                                PURCHASE ORDER UPDATE ROUTINGS (UR)
                                OP  ORDER  ITEM NUMBER  WHSE  QUANTITY  U/M  SEQ.  BLK
                                aaA4  aaaaaA7  aaaaaaaaaaA15  aA3  nnnnnnn.nnn  A2  nnn  nnnn

REFERENCE  REASON  DATE  HOURS
aaaaaaaA10  aaaaA6  nnnnnn  99999.99
-----

F02 PAGE FORWARD
F03 PAGE BACKWARD
F09 REVIEW ALL
F10 RETURN TO SELECT
F20 DELETE RECORD
    
```

What to do

To change a transaction, type in the information you need to change and press **Enter**. The transaction shown is processed. Any changes made are checked for possible errors.

Depending on the value of the transaction code in the Purchase Order Routing file, one of the following displays appears:

TCODE	Display	
blank	Purchase Order Update Routings	AMI3D33B
RD	Purchase Receipt to Dock	AMI3D34R
RI	Purchase Receipt to Inspection	AMI3D35R
RP	Purchase Receipt to Stock	AMI3D36R
VA	Purchase Order Vendor Accept	AMI3D37R

Contents	Index	Exit
--------------------------	-----------------------	----------------------

Function keys

F02 PAGE FORWARD causes the next transaction in the batch to appear. If it is a routing transaction, display AMI3D33B appears again. If not a routing transaction, the Inventory Transaction – Detail Review (Review) display (AMI3D32R) appears.

F03 PAGE BACKWARD causes the previous transaction in the batch to appear. If it is a routing transaction, display AMI3D33B appears again. If not a routing transaction, the Inventory Transaction – Detail Review (Review) display (AMI3D32R) appears.

F09 REVIEW ALL causes the Inventory Transaction – Summary Review (Review) display (AMI3D31R) to appear so you can review a summary of the next or the previous group of transactions in the batch, depending on whether you were paging forward or backward.

F10 RETURN TO SELECT causes the Inventory Transaction – Transaction Selection (Select) display (AMI3D01) to appear again so you can type in additional transactions.

F20 DELETE RECORD causes the Purchase Order Update Routings transaction shown to be deleted. Either the next or the previous transaction in the batch appears, depending on whether you were paging forward or backward.

If it is a routing transaction, display AMI3D33B appears again. If not a routing transaction type, the Inventory Transaction – Detail Review display (AMI3D32R) appears.

Fields

Any of the fields on this display can be changed, or the entire Purchase Order Update Routings transaction can be deleted using this display. Refer to “AMI3D33E—Inventory Transaction–Purchase Order Update Routings (UR) (Enter)” for an explanation of the fields on this display.

[Contents](#)[Index](#)[Exit](#)

AMI3D33I—Inventory Transaction—Purchase Order Update Routings (UR) (Review)

Use this display to review or reverse previous Purchase Order Update Routings transactions that were added to the transaction file in immediate update mode. It appears only if immediate update was selected during application tailoring.

This display appears when you select either **F05 CHANGE**, while you are reviewing a Purchase Order Update Routing transaction on either the Inventory Transaction – Summary Review (Review) display (AMI3D31R), or the Inventory Transaction – Detail Review (Review) display (AMI3D32R).

This display also appears when you select either **F02 PAGE FORWARD** or **F03 PAGE BACKWARD** on display AMI3D33I, and the next or the previous transaction is also a Purchase Order Update Routings transaction.

Note: When you are reviewing a batch that was loaded from an offline file, display AMI3D33B appears instead of this display.

```

DATE **/**/**          INVENTORY TRANSACTION          REVIEW  AMI3D33I **
                        PURCHASE ORDER UPDATE ROUTINGS (UR)
REV  OP  ORDER  ITEM NUMBER  WHSE  QUANTITY  U/M  SEQ.  BLK
A    ****  *****  *****  ***  *****  **  ***  ****

REFERENCE  REASON  DATE  HOURS
*****  *****  *****  *****
-----

```

```

F02 PAGE FORWARD
F03 PAGE BACKWARD
F09 REVIEW ALL
F10 RETURN TO SELECT

```

What to do

To reverse a transaction, type **R** in the **REV** field and press **Enter**. The transaction shown on the display is reversed. Then, either the next or the previous transaction in the batch appears, depending on whether you page forward or backward.

- If it is the same type transaction, the AMI3D33I display appears again.
- If it is a different type transaction, the Inventory Transaction – Detail Review (Review) display (AMI3D32R) appears.

To correct an unapplied transaction (REV=U), type **E** (Error) or **A** (Active) in the **REV** field and press **Enter**. If you typed A in the **REV** field, the master files are updated.

Contents	Index	Exit
--------------------------	-----------------------	----------------------

Then, either the next or the previous transaction in the batch appears, depending on whether you page forward or backward.

- If it is the same type transaction, the AMI3D33I display appears again.
- If it is a different type transaction, the Inventory Transaction – Detail Review (Review) display (AMI3D32R) appears.

Function keys

F02 PAGE FORWARD causes the next transaction in the batch to appear. If it is a routing transaction, display AMI3D33I appears again. If not a routing transaction type, the Inventory Transaction – Detail Review display (AMI3D32R) appears.

F03 PAGE BACKWARD causes the previous transaction in the batch to appear. If it is a routing transaction, display AMI3D33I appears again. If not a routing transaction type, the Inventory Transaction – Detail Review display (AMI3D32R) appears.

F09 REVIEW ALL causes the Inventory Transaction – Summary Review (Review) display (AMI3D31R) to appear so you can review a summary of the next or the previous group of transactions in the batch, depending on whether you were paging forward or backward.

F10 RETURN TO SELECT causes the Inventory Transaction – Transaction Selection (Select) display (AMI3D01) to appear again so you can type in additional transactions.

Fields

On this display, only the **REV** field is optional and can be typed in. All other fields are informational only. Refer to “AMI3D33E—Inventory Transaction—Purchase Order Update Routings (UR) (Enter)” for an explanation of these fields.

To change any of these fields, you must reverse this Purchase Order Update Routings transaction, with the reversal codes described below, and retype it using display AMI3D33E.

REV (Reversal Code). One of the following codes:

- A** Active. This code appears for valid transactions. If you type in R, the transaction is reversed, and the master files are changed back as they were previously. The Inventory Transaction Register (AMV3G) shows the transaction as deleted.
- R** Reversed. If you type in A, this transaction is reactivated.
- E** Error. This code appears only after you have changed U to E.
- U** Unapplied. This code appears for transactions typed in immediate update mode that were not accepted because of errors. Transactions with code U must be changed to E (accept with error) or A (reactivate) before the batch can be closed. If you change U to E, no master files are updated.

Contents	Index	Exit
-----------------	--------------	-------------

AMI3D34E—Inventory Transaction—Purchase Receipt to Dock (RD) (Enter)

Use this display to type in Purchase Receipt to Dock transactions to the selected batch.

If purchase order tracking is supported and Purchasing is installed, this display appears when you select option 12 or transaction code RD on display AMI3D01.

You can enter up to two Purchase Receipt to Dock transactions on this display. A history area at the top of the display shows you the last valid Purchase Receipt to Dock transaction type in the batch.

```

DATE **/**/**          INVENTORY TRANSACTION          ENTER    AMI3D34E **
                        PURCHASE RECEIPT TO DOCK (RD)
ORDER  ITEM NUMBER    WHSE  QUANTITY  U/M  SEQ.  BLK
*****  *****
REFERENCE  REASON  DATE  SHIP VIA
*****  *****  *****  *****
COMMENT  GRN          GRN INV <Y/N>
*****  *****  *
*****
-----
aaaaA7  aaaaaaaaaA15  aA3  nnnnnnnnnn  aa  nnn  nnnn
aaaaaaaA10  aaaaA6  nnnnnn  aaaaaaaaaaaaaaaaaaaaaA25
aaaaaaaaaaaaaaaaaaaaaaaaA26          A
aaaaaaaaaaaaaaaaaaaaaaaaaaaaaaaaaaaaaaaaaaaaaaaaaaaaaaaaaaaaaaaaA80

aaaaA7  aaaaaaaaaA15  aA3  nnnnnnnnnn  aa  nnn  nnnn
aaaaaaaA10  aaaaA6  nnnnnn  aaaaaaaaaaaaaaaaaaaaaA25
aaaaaaaaaaaaaaaaaaaaaaaaA26          A
aaaaaaaaaaaaaaaaaaaaaaaaaaaaaaaaaaaaaaaaaaaaaaaaaaaaaaaaaaaaaaaaA80
ENTER LINE NUMBER, OR 9 TO END  n

                                F09 REVIEW ALL
                                F10 RETURN TO SELECT
                                F17 ACCEPT W/ERROR
    
```

What to do

To enter transactions, type in the information you need for each transaction and press **Enter**.

- If one or more error messages appear, the transactions cannot be processed. You must change them, or use **F17** to accept them with error.
- If only information or warning messages appear, press **Enter** again to process the transactions shown. If the transactions are not correct, you should change them before pressing **Enter** again.
- If there are no errors, the transactions shown are processed and display AMI3D34E appears again so you can enter additional transactions.
 - If the **SHORTAGE CHECKING** field on display AMI3D01 contains NO, or there are no potential shortages, you can enter another transaction.
 - If the **SHORTAGE CHECKING** field on display AMI3D01 contains YES, and there are potential shortages, display AMI3D34E appears again with line numbers next to the transactions you just entered so you can check shortages for those items.

Contents	Index	Exit
--------------------------	-----------------------	----------------------

- If line numbers appear and you entered a line number to check shortages, press **Enter** again to review shortages for the requested item on the Dispatch Materials Inquiry display (AMI3D28E).
- If line numbers appear and you enter 9 to end shortage checking and press **Enter**, display AMI3D34E appears so you can enter additional transactions.

Function keys

F09 REVIEW ALL causes the Inventory Transaction – Summary Review display (AMI3D31R) to appear so you can review a summary of the last 12 transactions in the batch.

F10 RETURN TO SELECT causes the Inventory Transaction – Transaction Selection (Select) display (AMI3D01) to appear again so you can select another transaction type.

F17 ACCEPT W/ERROR accepts any transactions shown with error (E) messages, and flags them as error transactions. You must correct these transactions before the Inventory Transaction Register report (AMV3G) is printed.

Note: F17 is not required if only warning (W) messages appear. F17 is only valid in Batch Update mode.

Fields

[?] appears next to a field name in the following field definitions to identify a field from which you can begin a master file search.

You can duplicate any of the alphanumeric fields from the history area in the corresponding fields below the line by putting the cursor in the field and then pressing the **DUP** key.

Each of the following fields appears twice on the display, once for each of the two transactions.

ORDER (Order Number) [?]. Required. Type in the number of the purchase order for this Purchase Receipt to Dock transaction. The order must not be complete or canceled. (The order status must be less than 40, Complete Buyer.)

ITEM NUMBER [?]. Required. Type in the number of the item received to dock. The purchase order status of the item must not be 50 (Item Complete).

WHSE (Warehouse Code). Required if you have multiple warehouses defined in the Warehouse Master file. Type in the code of the warehouse where this item is stored. If you have only one warehouse, this field does not appear.

QUANTITY. Required. Type in the quantity received to dock.

U/M (Unit of Measure). If the **QUANTITY** field value is expressed in purchase units, type in the purchase unit of measure. If the **QUANTITY** field value is expressed in stocking units, type in the stocking unit of measure or leave this field blank. If you leave this field blank, the stocking unit of measure in the Item Master file is used.

SEQ. (Line Item Sequence). Type in the line item sequence number for miscellaneous and service items. Leave this field blank for inventory items.

Contents	Index	Exit
--------------------------	-----------------------	----------------------

BLK (Blanket Release). Type in the blanket release number if this is a blanket purchase order and you want the receipt applied to a specific release.

If you leave this field blank, and this is a blanket purchase order, the receipt is applied to the oldest open release. Any remaining quantity is applied to the next oldest release(s) until the quantity is fully applied.

REFERENCE. Type in a user-defined value used for reference purposes only. It is printed on the Inventory Transaction Register report (AMV3G).

REASON. Type in a code explaining the reason for this transaction. This code is assigned by your company.

DATE. Type in the date of this transaction. If you leave this field blank, the transaction date on display AMI3D01 is used.

SHIP VIA. Type in the name of the carrier that delivered the item.

GRN (Goods Received Note). Type in the number of the Goods Received Note associated with the receipt if IFM is installed and interfacing.

This field appears only if IFM is installed and interfacing for the RD transaction.

GRN INV (Goods Received Notes Invoice). This field appears only if IFM is installed and interfacing. Type in one of the following to describe the use of the GRN field:

- Y** GRN is an invoice number
- N** GRN is being used to match another document, such as a bill of lading
- blank** This is the default.

COMMENT. Type in a comment to be associated with this transaction. The comment prints on the Inventory Transaction Register (AMV3G). The comment is also added to the Purchase Order Detail file as a T type comment when your files are updated. If you have entered a blanket release number for this transaction, the comment will become a release comment for that specific release.

Enter LINE NUMBER, OR 9 TO END. This field is not shown when display AMI3D34E first appears. It appears after you press **Enter**, only if you requested shortage checking on AMI3D01, a potential shortage exists, and you used a positive quantity.

To review the shortages for an item, type in the line number of the item. If you do not want to review shortages, or you are finished checking shortages, type in **9**.

Contents	Index	Exit
--------------------------	-----------------------	----------------------

AMI3D34B—Inventory Transaction—Purchase Receipt to Dock (RD) (Review)

Use this display to change previously processed Purchase Receipt to Dock transactions that were added to the transaction file in Batch Update mode. It appears only if batch update was selected during application tailoring.

This display appears when you select either **F05 CHANGE**, while you are reviewing a Purchase Receipt to Dock transaction on either the Inventory Transaction – Summary Review display (AMI3D31R), or the Inventory Transaction – Detail Review (Review) display (AMI3D32R).

This display also appears when you select either **F02 PAGE FORWARD** or **F03 PAGE BACKWARD** on display AMI3D34B, and the next or the previous transaction is also a Purchase Receipt to Dock transaction.

```

DATE **/**/**                INVENTORY TRANSACTION          REVIEW  AMI3D34B **
                             PURCHASE RECEIPT TO DOCK (RD)
ORDER  ITEM NUMBER  WHSE  QUANTITY  U/M  SEQ.  BLK
aaaaa7  aaaaaaaaaaA15  aA3  nnnnnnn.nnn  A2  nnn  nnnn

                             REFERENCE  REASON  DATE  SHIP VIA
                             aaaaaaaA10  aaaaA6  nnnnnn  aaaaaaaaaaaaaaaaaaaaaA25
GRN
aaaaaaaaaaaaaaaaaaaaaaaaA26          GRN INV <Y/N>
                                     A
COMMENT
aaaaaaaaaaaaaaaaaaaaaaaaaaaaaaaaaaaaaaaaaaaaaaaaaaaaaaaaaaaaaaaaA80
-----

F02 PAGE FORWARD
F03 PAGE BACKWARD
F09 REVIEW ALL
F10 RETURN TO SELECT
F17 ACCEPT W/ERROR
F20 DELETE RECORD
    
```

What to do

To change a transaction, type in the information you need to change and press **Enter**. The transaction is processed. Any changes made are checked for possible errors. Then either the next or the previous transaction in the batch appears, depending on whether you page forward or backward.

- If it is the same type transaction, display AMI3D34B appears again.
- If it is a different type transaction, the Inventory Transaction – Detail Review (Review) display (AMI3D32R) appears.

Function keys

F02 PAGE FORWARD causes the next transaction in the batch to appear. If it is the same transaction type, display AMI3D34B appears again. If it is a different

Contents	Index	Exit
--------------------------	-----------------------	----------------------

transaction type, the Inventory Transaction – Detail Review display (AMI3D32R) appears.

F03 PAGE BACKWARD causes the previous transaction in the batch to appear. If it is the same transaction type, display AMI3D34B appears again. If it is a different transaction type, the Inventory Transaction – Detail Review display (AMI3D32R) appears.

F09 REVIEW ALL causes the Inventory Transaction – Summary Review (Review) display (AMI3D31R) to appear so you can review a summary of the next or the previous group of transactions in the batch, depending on whether you were paging forward or backward.

F10 RETURN TO SELECT causes the Inventory Transaction – Transaction Selection (Select) display (AMI3D01) to appear again so you can type in additional transactions.

F17 ACCEPT W/ERROR accepts any transactions shown with error (E) messages, and flags them as error transactions. You must correct these transactions before the Inventory Transaction Register report (AMV3G) is printed.

Note: F17 is not required if only warning (W) messages appear.

F20 DELETE RECORD causes the Purchase Receipt to Dock transaction shown to be deleted. Either the next or the previous transaction in the batch appears, depending on whether you were paging forward or backward.

If it is the same transaction type, display AMI3D34B appears again. If it is a different transaction type, the Inventory Transaction – Detail Review display (AMI3D32R) appears.

Fields

Any of the fields on this display can be changed, or the entire Purchase Receipt to Dock transaction can be deleted using this display. Refer to “AMI3D34E—Inventory Transaction–Purchase Receipt to Dock (RD) (Enter)” for an explanation of these fields.

[Contents](#)[Index](#)[Exit](#)

AMI3D34I—Inventory Transaction—Purchase Receipt to Dock (RD) (Review)

Use this display to review or reverse previously processed Purchase Receipt to Dock transactions that were added to the transaction file in immediate update mode. It appears only if immediate update was selected during application tailoring.

This display appears when you select **F05 CHANGE**, while you are reviewing a Purchase Receipt to Dock transaction on either the Inventory Transaction – Summary Review display (AMI3D31R), or the Inventory Transaction – Detail Review display (AMI3D32R).

This display also appears when you select **F02 PAGE FORWARD** or **F03 PAGE BACKWARD** on display AMI3D34I, and the next or the previous transaction is also a Purchase Receipt to Dock transaction.

When you are reviewing a batch that was loaded from an offline file, display AMI3D34B appears instead of this display.

```

DATE **/**/**                INVENTORY TRANSACTION                REVIEW  AMI3D34I **
                                PURCHASE RECEIPT TO DOCK (RD)
REV  ORDER  ITEM NUMBER  WHSE  QUANTITY  U/M  SEQ.  BLK
A   *****  *****  ***  *****  **  ***  ****

                                REFERENCE  REASON  DATE  SHIP VIA
                                *****  *****  *****  *****
GRN
*****  *****  *****  *****  *****
                                GRN INV <Y/N>
                                *

COMMENT
*****
-----

                                F02 PAGE FORWARD
                                F03 PAGE BACKWARD
                                F09 REVIEW ALL
                                F10 RETURN TO SELECT

```

What to do

To reverse a transaction, type **R** in the **REV** field and press **Enter**. The transaction shown on the display is reversed. Then, either the next or the previous transaction in the batch appears, depending on whether you page forward or backward.

- If it is the same type transaction, the AMI3D34I display appears again.
- If it is a different type transaction, the Inventory Transaction – Detail Review (Review) display (AMI3D32R) appears.

To correct an unapplied transaction, type **E** or **A** in the **REV** field, type in changes, if needed, and press **Enter**. If you typed A in the **REV** field, the master files are updated. Then, either the next or the previous transaction in the batch appears, depending on whether you page forward or backward.

Contents	Index	Exit
--------------------------	-----------------------	----------------------

- If it is the same type transaction, the AMI3D34I display appears again.
- If it is a different type transaction, the Inventory Transaction – Detail Review (Review) display (AMI3D32R) appears.

Function keys

F02 PAGE FORWARD causes the next transaction in the batch to appear. If it is the same transaction type, display AMI3D34I appears again. If it is a different transaction type, the Inventory Transaction – Detail Review display (AMI3D32R) appears.

F03 PAGE BACKWARD causes the previous transaction in the batch to appear. If it is the same transaction type, display AMI3D34I appears again. If it is a different transaction type, the Inventory Transaction – Detail Review display (AMI3D32R) appears.

F09 REVIEW ALL causes the Inventory Transaction – Summary Review (Review) display (AMI3D31R) to appear so you can review a summary of the next or the previous group of transactions in the batch, depending on whether you were paging forward or backward.

F10 RETURN TO SELECT causes the Inventory Transaction – Transaction Selection (Select) display (AMI3D01) to appear again so you can type in additional transactions.

Fields

On this display, only the **REV** field is optional and can be typed in. All other fields are informational only. Refer to “AMI3D34E—Inventory Transaction–Purchase Receipt to Dock (RD) (Enter)” for an explanation of these fields.

To change any of these fields, you must reverse this Purchase Receipt to Dock transaction, with the reversal codes described below, and retype it using display AMI3D34E.

REV (Reversal Code). One of the following codes:

- A** Active. This code appears for valid transactions. If you type in R, the transaction is reversed, and the master files are changed back as they were previously. The Inventory Transaction Register (AMV3G) shows the transaction as deleted.
- R** Reversed. If you type in A, this transaction is reactivated.
- E** Error. This code appears only after you have changed U to E.
- U** Unapplied. This code appears for transactions made in immediate update mode that were not accepted because of errors. Before the batch can be closed, transactions with code U must be changed to either E (accept with error), or A (reactivate). If you change U to E, no master files are updated.

Contents	Index	Exit
--------------------------	-----------------------	----------------------

AMI3D34R—Inventory Transaction—Purchase Receipt to Dock (RD) (Enter/Review)

Use this display to add Purchase Receipt to Dock transactions to the selected batch, or to change previously processed Purchase Receipt to Dock transactions that were added to the transaction file in Batch Update mode.

This display appears in Enter mode when you press **Enter** on the Inventory Transaction – Purchase Order Update Routings (Enter) display (AMI3D33E), and transaction code is RD in the Purchase Order Routing file.

This display appears in Review mode when you press **Enter** on the Inventory Transaction – Purchase Order Update Routings (Review) display (AMI3D33B) and transaction code is RD in the Purchase Order Routing file.

```

DATE **/**/**                INVENTORY TRANSACTION                *****  AMI3D34R **
                               PURCHASE RECEIPT TO DOCK (RD)

      ORDER  ITEM NUMBER  WHSE  QUANTITY  U/M  SEQ.  BLK
      *****  *****
                               REFERENCE  REASON  DATE  SHIP VIA
                               *****  *****  *****  *****
GRN
*****
COMMENT
aaaaaaaaaaaaaaaaaaaaaaaaaaaaaaaaaaaaaaaaaaaaaaaaaaaaaaaaaaaaaaaaaaaaaaaaA80

                                F09 REVIEW ALL
                                F10 RETURN TO SELECT
                                F17 ACCEPT W/ERROR
    
```

What to do

To enter or change a transaction, type in the information you need and press **Enter**. The Purchase Receipt to Dock transaction shown is processed, and the Inventory Transaction – Purchase Order Update Routings display (AMI3D33E) appears again. Any changes made are checked for possible errors.

Function keys

F09 REVIEW ALL causes the Inventory Transaction – Summary Review (Review) display (AMI3D31R) to appear so you can review a summary of the next or the previous group of transactions in the batch, depending on whether you were paging forward or backward.

F10 RETURN TO SELECT causes the Inventory Transaction – Transaction Selection (Select) display (AMI3D01) to appear again so you can type in additional transactions.

Contents	Index	Exit
--------------------------	-----------------------	----------------------

F17 ACCEPT W/ERROR accepts any transactions shown with error (E) messages, and flags them as error transactions. You must correct these transactions before the Inventory Transaction Register report (AMV3G) is printed.

Note: F17 is not required if only warning (W) messages appear.

Fields

Refer to "AMI3D34E—Inventory Transaction—Purchase Receipt to Dock (RD) (Enter)" for an explanation of these fields.

Contents	Index	Exit
--------------------------	-----------------------	----------------------

AMI3D35E—Inventory Transaction—Purchase Receipt to Inspection (RI) (Enter)

Use this display to add Purchase Receipt to Inspection transactions to the selected batch. You can enter up to two Purchase Receipt to Inspection transactions on this display.

If purchase order tracking is supported and Purchasing is installed, this display appears when you select option 13 or transaction code RI on display AMI3D01.

A history area at the top of the display shows you the last valid Purchase Receipt to Inspection transaction processed in that batch.

This display appears when you select option 13 or transaction code RI on display AMI3D01.

```

DATE **/**/**          INVENTORY TRANSACTION          ENTER    AMI3D35E **
                        PURCHASE RECEIPT TO INSPECTION (RI)
ORDER  ITEM NUMBER    WHSE  QUANTITY  U/M  SEQ  BLK
*****  *****
REFERENCE  REASON  DATE  LOCATION  BATCH/LOT  FIFO DATE  ORIGIN
*****  *****  *****  *****  *****  *****  ***
COMMENT  SHIP VIA          GRN          GRN INV <Y/N>
*****  *****  *****  *****  *****
-----
*   aaaaaa  aaaaaaaaaaaaaa  aaa  nnnnnnnnnnn  aa  nnn  nnnn
    aaaaaaaaa  aaaaaa  aaaaaa  aaaaaa  aaaaaaaaa  nnnnnn
    aaaaaaaaaaaaaaaaaaaaaaaaaA26  aaaaaaaaaaaaaaaaaaaaaaaaaA26  A
    aaaaaaaaaaaaaaaaaaaaaaaaaaaaaaaaaaaaaaaaaaaaaaaaaaaaaaaaaaaaaaaaaA80

*   aaaaaa  aaaaaaaaaaaaaa  aaa  aaaaaaaaaa  aa  nnn  nnnn
    aaaaaaaaa  aaaaaa  nnnnnn  aaaaaa  aaaaaaaaa  nnnnnn
    aaaaaaaaaaaaaaaaaaaaaaaaaA26  aaaaaaaaaaaaaaaaaaaaaaaaaA26  A
    aaaaaaaaaaaaaaaaaaaaaaaaaaaaaaaaaaaaaaaaaaaaaaaaaaaaaaaaaaaaaaaaaA80
ENTER LINE NUMBER, OR 9 TO END  n

                                F09 REVIEW ALL
                                F10 RETURN TO SELECT
                                F17 ACCEPT W/ERROR
    
```

What to do

To enter a transaction, type in the information you need and press **Enter**.

- If one or more error messages appear, the transaction cannot be processed. You must change it before pressing **Enter** again.
- If only information or warning messages appear, press **Enter** again to process the transaction shown. If the transaction is not correct, you should change it before pressing **Enter** again.
- If the item is defined in the Item Master file to require inspection on receipt, you must do one of the following:
 - For receipt at a controlled warehouse: After the production receipt transaction is processed, the item can be shown in the selected location. But it is not available for issue since it is not yet received in stock. You must process a quality control transaction (PQ), using display AMIQH1, to complete the receipt to stock.

Contents	Index	Exit
--------------------------	-----------------------	----------------------

- For a receipt at an uncontrolled warehouse, an RP transaction should be processed to make the item available for issue.
- If there are no errors, the transaction shown is processed and display AMI3D35E appears again:
 - If the **SHORTAGE CHECKING** field on display AMI3D01 contains NO, or there are no potential shortages, you can enter another transaction.
 - If the **SHORTAGE CHECKING** field on display AMI3D01 contains YES, or there is a potential shortage, display AMI3D35E contains a line number next to the transaction so you can check shortages for the item.
 - If a line number appears and you type in the line number to check shortages, press **Enter** again to review shortages for the requested item on the Dispatch Materials Inquiry display (AMI3D28E).
 - If a line number appears and you type in 9 to end shortage checking, and press **Enter**, display AMI3D35E appears again so you can enter another transaction.

Function keys

F09 REVIEW ALL causes the Inventory Transaction – Summary Review (Review) display (AMI3D31R) to appear so you can review a summary of the last 12 transactions in the batch.

F10 RETURN TO SELECT causes the Inventory Transaction – Transaction Selection (Select) display (AMI3D01) to appear again so you can select another transaction type.

F17 ACCEPT W/ERROR accepts any transactions shown with error (E) messages, and flags them as error transactions. You must correct these transactions before the Inventory Transaction Register report (AMV3G) is printed.

Note: F17 is not required if only warning (W) messages appear. F17 is only valid in Batch Update mode.

Fields

[?] appears next to a field name in the following field definitions to identify a field from which you can begin a master file search.

Each of the following fields appears twice on the display, once for each of the two transactions.

You can duplicate any of the alphanumeric fields from the history area in the corresponding fields below the line by putting the cursor in the field and then pressing the **DUP** key in the desired fields.

ORDER (Order Number) [?]. Required. Type in the number of the purchase order for this Purchase Receipt to Inspection transaction. The order must not be complete or canceled. The order status must be less than 40 (complete buyer).

ITEM NUMBER [?]. Required. Type in the number of the item received to inspection. The purchase order status of the item must not be 50 (item complete).

Contents	Index	Exit
--------------------------	-----------------------	----------------------

WHSE (Warehouse Code). Required if you have multiple warehouses defined in the Warehouse Master file. Type in the code of the warehouse where this item is stored. If you have only one warehouse, this field does not appear.

QUANTITY. Required. Type in the quantity received to inspection.

U/M (Unit of Measure). If the **QUANTITY** field value is expressed in purchase units, type in the purchase unit of measure. If the **QUANTITY** field value is expressed in stocking units, either type in the stocking unit of measure, or leave this field blank. If you leave this field blank, the stocking unit of measure in the Item Master file is used.

SEQ (Line Item Sequence). Type in the line item sequence number for miscellaneous and service items. Leave this field blank for inventory items.

BLK (Blanket Release). Type in the blanket release number if this is a blanket purchase order and you want the receipt applied to a specific release.

If you leave this field blank, and this is a blanket purchase order, the receipt is applied to the oldest open release. Any remaining quantity is applied to the next oldest release(s) until the quantity is fully applied.

REFERENCE. Type in a user-defined value to be used for reference purposes only. When printed, it appears on the Inventory Transaction Register report (AMV3G).

REASON. Type in a code explaining the reason for this transaction. This code is assigned by your company.

DATE. Type in the date of this transaction. If you leave this field blank, the transaction date typed in on display AMI3D01 is used.

LOCATION [?]. Type in the physical storage point within the warehouse. The stock location of the item, as stored in the Location Detail file. If you are using a controlled warehouse, this field is required.

BATCH/LOT. Type in the batch or lot number, if you chose the batch/lot control option during application tailoring and it applies to this item.

FIFO DATE (First-In-First-Out Date). Type in the date when the item was received in stock, whether approved or unapproved. The default is the transaction date. This field appears only if the FIFO date integrity option was selected during application tailoring.

ORIGIN. The country in which this item originated. If you leave this field blank, it will default to the country from the purchase order.

GRN (Goods Received Note). This field appears if you selected the GRN option during application tailoring or if IFM is installed and interfacing. The number of the goods received note that corresponds to a receipt. This field is user-defined and can represent a receiving ticket, a bill of lading, or an IFM invoice number. The GRN is issued by the accounts payable department to check that invoiced items were actually received.

GRN INV (Goods Received Notes Invoice). This field appears only if IFM is installed and interfacing. Type in one of the following to describe the use of the GRN field:

Contents	Index	Exit
--------------------------	-----------------------	----------------------

Y GRN is an IFM invoice number
N GRN is being used to match another document, such as a bill of lading
blank GRN number is not being used. This is the default.

SHIP VIA. Type in the name of the carrier that delivered the item.

COMMENT. Type in a comment to be associated with this transaction. The comment prints on the Inventory Transaction Register (AMV3G). The comment is also added to the Purchase Order Detail file as a T type comment when your files are updated. If you have entered a blanket release number for this transaction, the comment will become a release comment for that specific release.

Enter LINE NUMBER, OR 9 TO END. This field is not shown when display AMI3D35E first appears. It appears on the display after you press **Enter**, only if you requested shortage checking on AMI3D01, a potential shortage exists, and you used a positive quantity.

To review the shortages for an item, type in the line number of the item. If you do not want to review shortages, or you are finished checking shortages, type in **9**.

[Contents](#)[Index](#)[Exit](#)

AMI3D35B—Inventory Transaction—Purchase Receipt to Inspection (RI) (Review)

Use this display to change previously processed Purchase Receipt to Inspection transactions that were added to the transaction file in Batch Update mode. It appears only if batch update was selected during application tailoring.

This display appears when you select **F05 CHANGE**, while you are reviewing a Purchase Receipt to Inspection transaction on either the Inventory Transaction – Summary Review display (AMI3D31R), or the Inventory Transaction – Detail Review display (AMI3D32R).

This display also appears when you select **F02 PAGE FORWARD** or **F03 PAGE BACKWARD** on display AMI3D35B, and the next or the previous transaction is also a Purchase Receipt to Inspection transaction.

```

DATE **/**/**          INVENTORY TRANSACTION          REVIEW    AMI3D35B **
                        PURCHASE RECEIPT TO INSPECTION (RI)
ORDER  ITEM NUMBER    WHSE  QUANTITY  U/M  SEQ  BLK
aaaaaA7  aaaaaaaaaaaaA15  aA3  nnnnnnnn.nnn  A2   nnn  nnnn

REFERENCE  REASON  DATE  LOCATION  BATCH/LOT  FIFO DATE  ORIGIN
aaaaaaaA10  aaaaA6  nnnnnn  aaaaaA7  aaaaaaaA10  nnnnnn  AAA
                                                GRN INV <Y/N>
COMMENT  SHIP VIA          GRN
          aaaaaaaaaaaaaaaaaaaaaaaaaA25  aaaaaaaaaaaaaaaaaaaaaaaaaA26
aaaaaaaaaaaaaaaaaaaaaaaaaaaaaaaaaaaaaaaaaaaaaaaaaaaaaaaaaaaaaaaaaaaaaaaaA80
-----

```

```

F02 PAGE FORWARD
F03 PAGE BACKWARD
F09 REVIEW ALL
F10 RETURN TO SELECT
F17 ACCEPT W/ERROR
F20 DELETE RECORD

```

What to do

To change a transaction, type in the information you need to change and press **Enter**. The transaction is processed. Any changes made are checked for possible errors. Then either the next or the previous transaction in the batch appears, depending on whether you page forward or backward.

- If it is the same type transaction, display AMI3D35B appears again.
- If it is a different type transaction, the Inventory Transaction – Detail Review (Review) display (AMI3D32R) appears.

Function keys

F02 PAGE FORWARD causes the next transaction in the batch to appear. If it is the same transaction type, display AMI3D35B appears again. If it is a different transaction type, the Inventory Transaction – Detail Review display (AMI3D32R) appears.

Contents	Index	Exit
--------------------------	-----------------------	----------------------

F03 PAGE BACKWARD causes the previous transaction in the batch to appear. If it is the same transaction type, display AMI3D35B appears again. If it is a different transaction type, the Inventory Transaction – Detail Review display (AMI3D32R) appears.

F09 REVIEW ALL causes the Inventory Transaction – Summary Review (Review) display (AMI3D31R) to appear so you can review a summary of the next or the previous group of transactions in the batch, depending on whether you were paging forward or backward.

F10 RETURN TO SELECT causes the Inventory Transaction – Transaction Selection (Select) display (AMI3D01) to appear again so you can type in additional transactions.

F17 ACCEPT W/ERROR accepts any transactions shown with error (E) messages, and flags them as error transactions. You must correct these transactions before the Inventory Transaction Register report (AMV3G) is printed.

Note: F17 is not required if only warning (W) messages appear.

F20 DELETE RECORD causes the Purchase Receipt to Inspection transaction shown to be deleted. Either the next or the previous transaction in the batch appears, depending on whether you were paging forward or backward.

If it is the same transaction type, display AMI3D35B appears again. If it is a different transaction type, the Inventory Transaction – Detail Review display (AMI3D32R) appears.

Fields

Any of the fields on this display can be changed, or the entire Purchase Receipt to Inspection transaction can be deleted using this display. Refer to “AMI3D35E—Inventory Transaction–Purchase Receipt to Inspection (RI) (Enter)” for an explanation of these fields.

[Contents](#)[Index](#)[Exit](#)

AMI3D35I—Inventory Transaction—Purchase Receipt to Inspection (RI) (Review)

Use this display to review or reverse previously processed Purchase Receipt to Inspection transactions that were added to the transaction file in immediate update mode. It appears only if immediate update was selected during application tailoring.

This display appears when you select **F05 CHANGE**, while you are reviewing a Purchase Receipt to Inspection transaction on either the Inventory Transaction – Summary Review display (AMI3D31R), or the Inventory Transaction – Detail Review display (AMI3D32R).

It also appears when you select **F02 PAGE FORWARD** or **F03 PAGE BACKWARD** on display AMI3D35I, and the next or the previous transaction is also a Purchase Receipt to Inspection transaction.

Note: When reviewing a batch that was loaded from an offline file, display AMI3D35B appears instead of this display.

```

DATE **/**/**                INVENTORY TRANSACTION          REVIEW   AMI3D35I **
                                PURCHASE RECEIPT TO INSPECTION (RI)
REV  ORDER  ITEM NUMBER  WHSE  QUANTITY  U/M  SEQ  BLK
A   *****  *****  ***  *****  **   ***  ***

REFERENCE  REASON  DATE  LOCATION  BATCH/LOT  FIFO DATE  ORIGIN
*****  *****  *****  *****  *****  *****  ***

COMMENT  SHIP VIA  GRN  GRN INV <Y/N>
*****  *****  *****  *****
-----

                                F02 PAGE FORWARD
                                F03 PAGE BACKWARD
                                F09 REVIEW ALL
                                F10 RETURN TO SELECT

```

What to do

To reverse a transaction, type **R** in the **REV** field and press **Enter**. The transaction shown on the display is reversed. Then, either the next or the previous transaction in the batch appears, depending on whether you page forward or backward.

- If it is the same type transaction, the AMI3D35I display appears again.
- If it is a different type transaction, the Inventory Transaction – Detail Review (Review) display (AMI3D32R) appears.

To correct an unapplied transaction (**REV=U**), type **E** (Error) or **A** (Active) in the **REV** field and press **Enter**. If you typed A in the **REV** field, the master files are updated. Then, either the next or the previous transaction in the batch appears, depending on whether you page forward or backward.

- If it is the same type transaction, the AMI3D35I display appears again.

- If it is a different type transaction, the Inventory Transaction – Detail Review (Review) display (AMI3D32R) appears.

Function keys

F02 PAGE FORWARD causes the next transaction in the batch to appear. If it is the same transaction type, display AMI3D35I appears again. If it is a different transaction type, the Inventory Transaction – Detail Review display (AMI3D32R) appears.

F03 PAGE BACKWARD causes the previous transaction in the batch to appear. If it is the same transaction type, display AMI3D35I appears again. If it is a different transaction type, the Inventory Transaction – Detail Review display (AMI3D32R) appears.

F09 REVIEW ALL causes the Inventory Transaction – Summary Review (Review) display (AMI3D31R) to appear. This allows you to review a summary of either the next or the previous group of transactions in the batch, depending on whether you were paging forward or backward.

F10 RETURN TO SELECT causes the Inventory Transaction – Transaction Selection (Select) display (AMI3D01) to appear again so you can type in additional transactions.

Fields

On this display, only the **REV** field is optional and can be typed in. All other fields are informational only. Refer to “AMI3D35E—Inventory Transaction—Purchase Receipt to Inspection (RI) (Enter)” for an explanation of these fields.

To change any of these fields, you must reverse this Purchase Receipt to Inspection transaction, with the reversal codes described below, and retype it using display AMI3D35E.

REV (Reversal Code). One of the following codes:

- A** Active. This code appears for valid transactions. If you type in R, the transaction is reversed, and the master files are changed back as they were previously. The Inventory Transaction Register (AMV3G) shows the transaction as deleted.
- R** Reversed. If you type in A, this transaction is reactivated.
- E** Error. This code appears only after you have changed U to E.
- U** Unapplied. This code appears for transactions processed in immediate update mode that were not accepted because of errors. Transactions with code U must be changed to E (accept with error) or A (reactivate) before the batch can be closed. If you change U to E, no master files are updated.

Contents	Index	Exit
--------------------------	-----------------------	----------------------

AMI3D35R—Inventory Transaction—Purchase Receipt to Inspection (RI) (Enter/Review)

Use this display to add Purchase Receipt to Inspection transactions to the selected batch or to change previously added Purchase Receipt to Inspection transactions that were added to the transaction file in Batch Update mode.

This display appears in Enter mode, when you press **Enter** on the Inventory Transaction – Purchase Order Update Routings (Enter) display (AMI3D33E), and transaction code is RI in the Purchase Order Routing file.

This display appears in Review mode, when you press **Enter** on the Inventory Transaction – Purchase Order Update Routings (Review) display (AMI3D33B), and transaction code is RI in the Purchase Order Routing file.

```

DATE **/**/**                INVENTORY TRANSACTION          *****  AMI3D35R **
                             PURCHASE RECEIPT TO INSPECTION (RI)

ORDER  ITEM NUMBER  WHSE  QUANTITY  U/M  SEQ  BLK
*****  *****
REFERENCE  REASON  DATE  LOCATION  BATCH/LOT  FIFO DATE  ORIGIN
aaaaaaaaA10  aaaaA6  nnnnnn  aaaaaA7  aaaaaaaA10  nnnnnn  aA3

COMMENT  SHIP VIA                GRN                GRN INV <Y/N>
          aaaaaaaaaaaaaaaaaA25  aaaaaaaaaaaaaaaaaA26                A
aaaaaaaaaaaaaaaaaaaaaaaaaaaaaaaaaaaaaaaaaaaaaaaaaaaaaaaaaaaaaaaaaaaaaaaaA80

F09 REVIEW ALL
F10 RETURN TO SELECT
F17 ACCEPT W/ERROR
    
```

What to do

To enter or change a transaction, type in the information you need and press **Enter**. The Purchase Receipt to Inspection transaction shown is processed, and the Inventory Transaction – Purchase Order Update Routings display (AMI3D33E) appears again. Any changes made are checked for possible errors.

Function keys

F09 REVIEW ALL causes the Inventory Transaction – Summary Review display (AMI3D31R) to appear so you can review a summary of the next or the previous group of transactions in the batch, depending on whether you were paging forward or backward.

F10 RETURN TO SELECT causes the Inventory Transaction – Transaction Selection (Select) display (AMI3D01) to appear again so you can type in additional transactions.

Contents	Index	Exit
--------------------------	-----------------------	----------------------

F17 ACCEPT W/ERROR accepts any transactions shown with error (E) messages, and flags them as error transactions. You must correct these transactions before the Inventory Transaction Register report (AMV3G) is printed.

Note: F17 is not required if only warning (W) messages appear.

Fields

Refer to "AMI3D35E—Inventory Transaction—Purchase Receipt to Inspection (RI) (Enter)" for an explanation of these fields.

Contents	Index	Exit
--------------------------	-----------------------	----------------------

AMI3D36E—Inventory Transaction—Purchase Receipt to Stock (RP) (Enter)

Use this display to type in Purchase Receipt to Stock transactions into the selected batch for items in uncontrolled warehouses or for items in controlled warehouses that do not require inspection on receipt.

If purchase order tracking is supported and Purchasing is installed, this display appears when you select option 15 or transaction code RP on display AMI3D01.

You can enter up to two Purchase Receipt to Stock transactions on this display. A history area at the top of the display shows you the last valid Purchase Receipt to Stock transaction in the batch.

```

DATE **/**/**          INVENTORY TRANSACTION          ENTER    AMI3D36E **
                        PURCHASE RECEIPT TO STOCK (RP)
ORDER  ITEM NUMBER    WHSE  QUANTITY  U/M CMP SEQ.  BLK          TRN AMT
*****  *****
REFERENCE REASON DATE          LOCATION BATCH/LOT  FIFO DATE          ORIGIN
*****  *****  *****  *****  *****  *****
COMMENT  SHIP VIA          GRN          GRN INV <Y/N>
*****
-----
* aaaaaA7  aaaaaaaaaA15 aA3 nnnnnnn.nnn  A2 A nnn  nnnn nnnnnnnnnnn.nnnn
  aaaaaaaA10 aaaaA6 nnnnnn          aaaaA6  aaaaaaaA10 nnnnnn          aA3
    aaaaaaaaaaaaaaaaaaaaaaaaaA25  aaaaaaaaaaaaaaaaaaaaaaaaaA26          A
  aaaaaaaaaaaaaaaaaaaaaaaaaaaaaaaaaaaaaaaaaaaaaaaaaaaaaaaaaaaaaaaaaA80

* aaaaaA7  aaaaaaaaaA15 aA3 nnnnnnn.nnn  A2 A nnn  nnnn nnnnnnnnnnn
  aaaaaaaA10 aaaaA6 nnnnnn          aaaaA6  aaaaaaaA10 nnnnnn          aA3
    aaaaaaaaaaaaaaaaaaaaaaaaaA25  aaaaaaaaaaaaaaaaaaaaaaaaaA26          A
  aaaaaaaaaaaaaaaaaaaaaaaaaaaaaaaaaaaaaaaaaaaaaaaaaaaaaaaaaaaaaaaaaA80
ENTER LINE NUMBER, OR 9 TO END  n

                                F09 REVIEW ALL
                                F10 RETURN TO SELECT
                                F17 ACCEPT W/ERROR
    
```

What to do

To enter a transaction, type in the information you need and press **Enter**.

- If one or more error messages appear, the transaction cannot be processed. You must change it before pressing **Enter** again.
- If only information or warning messages appear, press **Enter** again to process the transaction shown. If the transaction is not correct, you should change it before pressing **Enter** again.
- If there are no errors, the transaction shown is processed and display AMI3D36E appears again:
 - If the **SHORTAGE CHECKING** field on display AMI3D01 contains NO, or there are no potential shortages, you can enter another transaction.
 - If the **SHORTAGE CHECKING** field on display AMI3D01 contains YES, or there is a potential shortage, display AMI3D36E contains a line number next to the transaction so you can check shortages for the item.

Contents	Index	Exit
--------------------------	-----------------------	----------------------

- If a line number appears and you type in the line number to check shortages, press **Enter** again to review shortages for the requested item on the Dispatch Materials Inquiry display (AMI3D28E).
- If a line number appears and you type in 9 to end shortage checking, and press **Enter**, display AMI3D36E appears again so you can enter another transaction.

Function keys

F09 REVIEW ALL causes the Inventory Transaction – Summary Review display (AMI3D31R) to appear so you can review a summary of the last 12 transactions in the batch.

F10 RETURN TO SELECT causes the Inventory Transaction – Transaction Selection (Select) display (AMI3D01) to appear again so you can select another transaction type.

F17 ACCEPT W/ERROR accepts any transactions shown with error (E) messages, and flags them as error transactions. You must correct these transactions before the Inventory Transaction Register report (AMV3G) is printed.

Note: F17 is not required if only warning (W) messages appear. F17 is only valid in Batch Update mode.

Fields

[?] appears next to a field name in the following field definitions to identify a field from which you can begin a master file search.

Each of the following fields appears twice on the display, once for each of the two transactions. You can duplicate any of the alphanumeric fields from the history area in the corresponding fields below the line by putting the cursor in the field, and then pressing the **DUP** key.

ORDER (Order Number) [?]. Required. Type in the number of the purchase order for this Purchase Receipt to Stock transaction. The order must not be complete or canceled. The order status must be less than 40 (complete buyer).

ITEM NUMBER [?]. Required. Type in the number of the item received to stock. The purchase order status of the item must not be 50 (item complete).

WHSE (Warehouse Code). Required if you have multiple warehouses defined in the Warehouse Master file. type in the code of the warehouse where this item is stored. If you have only one warehouse, this field does not appear.

QUANTITY. Required if you do not type in a completion code of C in the **CMP** field. This field is not required if you have already processed the final receipt for this order and you now want to report the order complete (CMP = C). Type in the quantity received to stock.

U/M (Unit of Measure). If the **QUANTITY** field value is in purchase units, type in the purchase unit of measure. If the **QUANTITY** field value is in stocking units, type in the stocking unit of measure or leave this field blank. If you leave this field blank, the stocking unit of measure in the Item Master file is used.

Contents	Index	Exit
--------------------------	-----------------------	----------------------

CMP (Completion Code). Type in one of the following completion codes:

- blank** Set the order item status to complete if the quantity received is greater than or equal to the order quantity.
- C** Receipt complete
- P** Partial receipt
- R** Reopen closed order

Notes:

1. Entering a completion code of C does not automatically receive the quantity still open on the purchase order. You must also type the actual quantity received in the **QUANTITY** field.
2. Completion code C merely sets the purchase order status of the line item to 50 (complete vendor) and reduces the on-order quantity in the Item Balance record by any quantity not received.
3. When you type in the final receipt for an order, you may not know that it is the final receipt.
4. Entering a subsequent receipt transaction with CMP contains C and no quantity lets you complete the receipt of the line item.
5. If all of the items on an order are complete, the application sets the status of the order to complete (40, complete buyer).
6. If nothing is entered in the **CMP** field, the system checks to see if the quantity ordered on the purchase order has been received. If it has, the blanket or line item status is set to complete.

SEQ. (Line Item Sequence). Type in the line item sequence number for miscellaneous and service items. Leave this field blank for inventory items.

BLK (Blanket Release). Type in the blanket release number if this is a blanket purchase order and you want the receipt applied to a specific release. If you leave this field blank, and this is a blanket purchase order, the receipt is applied to the oldest open release. Any remaining quantity is applied to the next oldest release(s) until the quantity is fully applied.

TRN AMT (Transaction Amount). Type in the amount of this Purchase Receipt to Stock transaction. This field must have the same sign (+ or -) as the **QUANTITY** field value. This field is not required; however, if you do type in an amount, a Cost Adjustment (CA) will be made to the cost field in the Item Balance file.

REFERENCE. Type in a user-defined value to be used for reference purposes only. It is printed on the Inventory Transaction Register report (AMV3G).

REASON. Type in a code explaining the reason for this transaction. This code is assigned by your company.

DATE. Type in the date of this transaction. If you leave this field blank, the transaction date typed in on display AMI3D01 is used.

LOCATION [?]. Type in the physical storage point within the warehouse. The stock location of the item, as stored in the Location Detail file. If you are using a controlled warehouse, this field is required. If your system is set up to use a default location and

Contents	Index	Exit
--------------------------	-----------------------	----------------------

this is not an inspection-on-receipt item, you can leave this field blank and the stocking location (WHS LC) from the Item Balance file will be used.

BATCH/LOT. Type in the batch or lot number if you chose the batch/lot control option during application tailoring, and it applies to this item.

FIFO DATE (First-In-First-Out Date). Type in the date when the item was received in stock, whether approved or unapproved. The default is the transaction date.

Note: This field appears only if the FIFO date integrity option was selected during application tailoring,

ORIGIN. The country in which this item originated. If left blank, it will default to the country from the purchase order.

COMMENT. Type in a comment to be associated with this transaction. The comment prints on the Inventory Transaction Register (AMV3G). The comment is also added to the Purchase Order Detail file as a T type comment when your files are updated. If you have entered a blanket release number for this transaction, the comment will become a release comment for that specific release.

SHIP VIA. Type in the name of the carrier that delivered the item.

GRN (Goods Received Note). Type in the number of the goods received note that corresponds to this receipt if you chose the GRN option during application tailoring or if IFM is installed and interfacing.

Only if you chose GRN during application tailoring will typing in a GRN number on this display create a record for this item in the GRN file. You can then record the invoice number that matches this goods received note number when it is received by taking option 8 on the Transaction Processing Menu (AMIM30).

If you are using IFM's invoice to receipt matching function, the GRN file is not used and option 8 is not supported.

GRN INV (Goods Received Notes Invoice) <Y/N>. This field appears if IFM is installed and interfacing. Type in one of the following to describe the use of the GRN field:

Y GRN is an invoice number
N GRN is being used to match another document, such as a bill of lading
blank This is the default.

[Contents](#)[Index](#)[Exit](#)

AMI3D36B—Inventory Transaction—Purchase Receipt to Stock (RP) (Review)

Use this display to change previously processed Purchase Receipt to Stock transactions that were added to the transaction file in Batch Update mode. It appears only if batch update was selected during application tailoring.

This display appears when you select **F05 CHANGE**, while you are reviewing a Purchase Receipt to Stock transaction on either the Inventory Transaction – Summary Review display (AMI3D31R), or the Inventory Transaction – Detail Review display (AMI3D32R).

This display also appears when you select **F02 PAGE FORWARD** or **F03 PAGE BACKWARD** on display AMI3D36B, and the next or the previous transaction is also a Purchase Receipt to Stock transaction.

```

DATE **/**/**          INVENTORY TRANSACTION          REVIEW  AMI3D36B **
                        PURCHASE RECEIPT TO STOCK (RP)
ORDER  ITEM NUMBER    WHSE  QUANTITY  U/M CMP SEQ.  BLK      TRN AMT
aaaaaA7  aaaaaaaaaaA15  aA3  nnnnnnn.nnn  A2  A  nnn  nnnn  nnnnnnnnnnn.nnnn

REFERENCE REASON DATE          LOCATION BATCH/LOT  FIFO DATE          ORIGIN
aaaaaaaA10  aaaaA6  nnnnnn          aaaaaA7  aaaaaaaA10  nnnnnn          aA3

COMMENT  SHIP VIA          GRN          GRN INV  <Y/N>
          aaaaaaaaaaaaaaaaaaA25  aaaaaaaaaaaaaaaaaaA26          A
aaaaaaaaaaaaaaaaaaaaaaaaaaaaaaaaaaaaaaaaaaaaaaaaaaaaaaaaaaaaaaaaA80
-----

```

```

F02 PAGE FORWARD
F03 PAGE BACKWARD
F09 REVIEW ALL
F10 RETURN TO SELECT
F17 ACCEPT W/ERROR
F20 DELETE RECORD

```

What to do

To change a transaction, type in the information you need to change and press **Enter**. The transaction is processed. Any changes made are checked for possible errors. Then either the next or the previous transaction in the batch appears, depending on whether you page forward or backward.

- If it is the same type transaction, display AMI3D36B appears again.
- If it is a different type transaction, the Inventory Transaction – Detail Review (Review) display (AMI3D32R) appears.

Function keys

F02 PAGE FORWARD causes the next transaction in the batch to appear. If it is the same transaction type, display AMI3D36B appears again. If it is a different

Contents	Index	Exit
--------------------------	-----------------------	----------------------

transaction type, the Inventory Transaction – Detail Review display (AMI3D32R) appears.

F03 PAGE BACKWARD causes the previous transaction in the batch to appear. If it is the same transaction type, display AMI3D36B appears again. If it is a different transaction type, the Inventory Transaction – Detail Review display (AMI3D32R) appears.

F09 REVIEW ALL causes the Inventory Transaction – Summary Review (Review) display (AMI3D31R) to appear so you can review a summary of the next or the previous group of transactions in the batch, depending on whether you were paging forward or backward.

F10 RETURN TO SELECT causes the Inventory Transaction – Transaction Selection (Select) display (AMI3D01) to appear again so you can type in additional transactions.

F17 ACCEPT W/ERROR accepts any transactions shown with error (E) messages, and flags them as error transactions. You must correct these transactions before the Inventory Transaction Register report (AMV3G) is printed.

Note: F17 not required if only warning (W) messages appear.

F20 DELETE RECORD causes the Purchase Receipt to Stock transaction shown to be deleted. Either the next or previous transaction in the batch appears, depending on whether you were paging forward or backward.

If it is the same transaction type, display AMI3D36B appears again. If it is a different transaction type, the Inventory Transaction – Detail Review display (AMI3D32R) appears.

Fields

Any of the fields on this display can be changed, or the entire Purchase Receipt to Stock transaction can be deleted using this display. Refer to “AMI3D36E—Inventory Transaction–Purchase Receipt to Stock (RP) (Enter)” for an explanation of these fields.

[Contents](#)[Index](#)[Exit](#)

AMI3D36I—Inventory Transaction—Purchase Receipt to Stock (RP) (Review)

Use this display to review or reverse previously processed Purchase Receipt to Stock transactions that were added to the transaction file in immediate update mode. It appears only if immediate update was selected during application tailoring.

This display appears when you select **F05 CHANGE**, while you are reviewing a Purchase Receipt to Stock transaction on either the Inventory Transaction – Summary Review display (AMI3D31R), or the Inventory Transaction – Detail Review display (AMI3D32R).

This display also appears when you select **F02 PAGE FORWARD** or **F03 PAGE BACKWARD** on display AMI3D36I, and the next or the previous transaction is also a Purchase Receipt to Stock transaction.

Note: When reviewing a batch that was loaded from an offline file, display AMI3D36B appears instead of this display.

```

DATE **/**/**                INVENTORY TRANSACTION          REVIEW   AMI3D36I **
                             PURCHASE RECEIPT TO STOCK (RP)
REV ORDER  ITEM NUMBER  WHSE  QUANTITY  U/M  CMP  SEQ.  BLK  TRN  AMT
A *****  *****  ***  *****  **  *  ***  ****  *****  ****
*****
REFERENCE  REASON  DATE                LOCATION  BATCH/LOT  FIFO  DATE                ORIGIN
*****  *****  *****  *****  *****  *****  *****
COMMENT  SHIP VIA                GRN                GRN  INV  <Y/N>
*****
*****
-----
F02 PAGE FORWARD
F03 PAGE BACKWARD
F09 REVIEW ALL
F10 RETURN TO SELECT

```

What to do

To reverse a transaction, type **R** in the **REV** field and press **Enter**. The transaction shown on the display is reversed. Then, either the next or the previous transaction in the batch appears, depending on whether you page forward or backward.

- If it is the same type transaction, the AMI3D36I display appears again.
- If it is a different type transaction, the Inventory Transaction – Detail Review (Review) display (AMI3D32R) appears.

To correct an unapplied transaction (**REV=U**), type **E** (Error) or **A** (Active) in the **REV** field and press **Enter**. If you typed A in the **REV** field, the master files are updated. Then, either the next or the previous transaction in the batch appears, depending on whether you page forward or backward.

- If it is the same type transaction, the AMI3D36I display appears again.

Contents	Index	Exit
-----------------	--------------	-------------

- If it is a different type transaction, the Inventory Transaction – Detail Review (Review) display (AMI3D32R) appears.

Function keys

F02 PAGE FORWARD causes the next transaction in the batch to appear. If it is the same transaction type, display AMI3D36I appears again. If it is a different transaction type, the Inventory Transaction – Detail Review display (AMI3D32R) appears.

F03 PAGE BACKWARD causes the previous transaction in the batch to appear. If it is the same transaction type, display AMI3D36I appears again. If it is a different transaction type, the Inventory Transaction – Detail Review display (AMI3D32R) appears.

F09 REVIEW ALL causes the Inventory Transaction – Summary Review (Review) display (AMI3D31R) to appear so you can review a summary of the next or the previous group of transactions in the batch, depending on whether you were paging forward or backward.

F10 RETURN TO SELECT causes the Inventory Transaction – Transaction Selection (Select) display (AMI3D01) to appear again so you can type in additional transactions.

Fields

On this display, only the **REV** field is optional and can be typed in. All other fields are informational only. Refer to “AMI3D36E—Inventory Transaction—Purchase Receipt to Stock (RP) (Enter)” for an explanation of these fields.

To change any of these fields, you must reverse this Purchase Receipt to Stock transaction, with the reversal codes described below, and retype it using display AMI3D36E.

REV (Reversal Code). One of the following codes:

- A** Active. This code appears for valid transactions. If you type in R, the transaction is reversed, and the master files are changed back as they were previously. The Inventory Transaction Register (AMV3G) shows the transaction as deleted.
- R** Reversed. If you type in A, this transaction is reactivated.
- E** Error. This code appears only after you have changed U to E.
- U** Unapplied. This code appears for transactions made in immediate update mode that were not accepted because of errors. Before the batch can be closed, transactions with code U must be changed to either E (accept with error), or A (reactivate). If you change U to E, no master files are updated.

Contents	Index	Exit
--------------------------	-----------------------	----------------------

AMI3D36R—Inventory Transaction—Purchase Receipt to Stock (RP) (Enter/Review)

Use this display to add Purchase Receipt to Stock transactions to the selected batch or to change previously processed Purchase Receipt to Stock transactions that were added to the transaction file in Batch Update mode.

This display appears in Enter mode, when you press **Enter** on the Inventory Transaction – Purchase Order Update Routings (Enter) display (AMI3D33E), and transaction code is RP in the Purchase Order Routing file.

This display appears in Review mode, when you press **Enter** on the Inventory Transaction – Purchase Order Update Routings (Review) display (AMI3D33B), and transaction code is RP in the Purchase Order Routing file.

```

DATE **/**/**                INVENTORY TRANSACTION          *****  AMI3D36R **
                               PURCHASE RECEIPT TO STOCK (RP)

ORDER  ITEM NUMBER  WHSE  QUANTITY  U/M  CMP  SEQ.  BLK          TRN  AMT
*****  *****  ***  *****  **  A  ***  ****  nnnnnnnnnn.nnnn

REFERENCE  REASON  DATE  LOCATION  BATCH/LOT  FIFO DATE  ORIGIN
aaaaaaaA10 aaaaaA7  nnnnnn aaaaaA7  aaaaaaaA10 *****  ***
COMMENT  SHIP VIA          GRN          GRN  INV <Y/N>
aaaaaaaA25 aaaaaA26  A
aaaaaaaaaaaaaaaaaaaaaaaaaaaaaaaaaaaaaaaaaaaaaaaaaaaaaaaaaaaaaaaaaaaaaaaaA80

F09 REVIEW ALL
F10 RETURN TO SELECT
F17 ACCEPT W/ERROR
    
```

What to do

To enter or change a transaction, type in the information you need and press **Enter**. The Purchase Receipt to Stock transaction shown is processed, and the Inventory Transaction – Purchase Order Update Routings display (AMI3D33E) appears again. Any changes made are checked for possible errors.

Function keys

F09 REVIEW ALL causes the Inventory Transaction – Summary Review (Review) display (AMI3D31R) to appear. This lets you review a summary of the next or the previous group of transactions in the batch depending on whether you were paging forward or backward.

F10 RETURN TO SELECT causes the Inventory Transaction – Transaction Selection (Select) display (AMI3D01) to appear again so you can type in additional transactions.

Contents	Index	Exit
--------------------------	-----------------------	----------------------

F17 ACCEPT W/ERROR accepts any transactions shown with error (E) messages, and flags them as error transactions. You must correct these transactions before the Inventory Transaction Register report (AMV3G) is printed.

Note: F17 is not required if only warning (W) messages appear.

Fields

Refer to "AMI3D36E—Inventory Transaction—Purchase Receipt to Stock (RP) (Enter)" for an explanation of these fields.

Contents	Index	Exit
--------------------------	-----------------------	----------------------

AMI3D37E—Inventory Transaction—Purchase Order Vendor Accept (VA) (Enter)

Use this display to type in Purchase Order Vendor Accept transactions to the selected batch.

If Purchasing is installed, this display appears when you select option 25 or transaction code VA on display AMI3D01.

You can enter up to three Purchase Order Vendor Accept transactions on this display. A history area at the top of the display shows you the last valid Purchase Order Vendor Accept transaction processed in the batch.

```

DATE **/**/**          INVENTORY TRANSACTION          ENTER    AMI3D37E **
                        PURCHASE ORDER VENDOR ACCEPT (VA)
ORDER  ITEM NUMBER    WHSE  SEQ.   BLK  DATE    PROMISE DATE
*****  *****
COMMENT          SHIP VIA *****
*****
-----
*   aaaaaA7  aaaaaaaaaaA15  aA3  nnn   nnnn  nnnnnn   nnnnnn
                        aaaaaaaaaaaaaaaaaaaaaA25
aaaaaaaaaaaaaaaaaaaaaaaaaaaaaaaaaaaaaaaaaaaaaaaaaaaaaaaaaaaaA80
*   aaaaaA7  aaaaaaaaaaA15  aA3  nnn   nnnn  nnnnnn   nnnnnn
                        aaaaaaaaaaaaaaaaaaaaaA25
aaaaaaaaaaaaaaaaaaaaaaaaaaaaaaaaaaaaaaaaaaaaaaaaaaaaaaaaaaaaA80
*   aaaaaA7  aaaaaaaaaaA15  aA3  nnn   nnnn  nnnnnn   nnnnnn
                        aaaaaaaaaaaaaaaaaaaaaA25
aaaaaaaaaaaaaaaaaaaaaaaaaaaaaaaaaaaaaaaaaaaaaaaaaaaaaaaaaaaaA80

                                F09 REVIEW ALL
                                F10 RETURN TO SELECT
                                F17 ACCEPT W/ERROR
    
```

What to do

To enter transactions, type in the information you need for each transaction and press **Enter**.

- If one or more error messages appear, the transactions cannot be processed. You must change them, or use **F17** to accept them with error.
- If only information or warning messages appear, press **Enter** again to process the transactions shown. If the transactions are not correct, you should change them before pressing **Enter** again.
- If there are no errors, the transactions shown are processed and display AMI3D37E appears again so you can enter additional transactions.

Function keys

F09 REVIEW ALL causes the Inventory Transaction – Summary Review display (AMI3D31R) to appear so you can review a summary of the last 12 transactions in the batch.

Contents	Index	Exit
--------------------------	-----------------------	----------------------

F10 RETURN TO SELECT causes the Inventory Transaction – Transaction Selection (Select) display (AMI3D01) to appear again so you can select another transaction type.

F17 ACCEPT W/ERROR accepts any transactions shown with error (E) messages, and flags them as error transactions. You must correct these transactions before the Inventory Transaction Register report (AMV3G) is printed.

Note: F17 is not required if only warning (W) messages appear. F17 is only valid in Batch Update mode.

Fields

[?] appears next to a field name in the following field definitions to identify a field from which you can begin a master file search.

Each of the following fields appears three times on the display, once for each of the three transactions. You can duplicate any of the alphanumeric fields from the history area in the corresponding fields below the line by putting the cursor in the field, and then pressing the **DUP** key.

ORDER (Order Number) [?]. Required. Type in the number of the purchase order for this Purchase Order Vendor Accept transaction.

ITEM NUMBER [?]. If you type in the number of the item ordered and the item is not a blanket release item, the Purchase Order Item Detail record is updated with the promise date. If the item is a blanket release item, the Purchase Order Blanket Release Detail record is updated with the promise date using the **BLK** field to identify the correct release. If you leave the item number blank, the Purchase Order Item Detail records for all items on the order are updated with the promise date. However, if any item is a blanket release item, only its first Purchase Order Blanket Release Detail record is updated with the promise date. When the **ITEM NUMBER** field is blank, the **BLK** field should be blank.

WHSE (Warehouse Code). Required if you have multiple warehouses defined in the Warehouse Master file. Type in the code of the warehouse where this item is stored. If you have only one warehouse, this field does not appear.

SEQ. (Line Item Sequence). Type in the line item sequence number for miscellaneous and service items. Leave this field blank for inventory items.

BLK (Blanket Release). Type in the blanket release number if this is a blanket purchase order, and you want the acceptance applied to a specific release. If you leave this field blank, and this is a blanket purchase order, an error message appears, unless the **ITEM NUMBER** field is also blank.

DATE. Type in the date of this transaction. If you leave this field blank, the transaction date typed in on display AMI3D01 is used.

PROMISE DATE. Required. Type in the date that the vendor promised delivery of the item. The promise date can be changed until a receipt is processed against the item/order.

SHIP VIA. Type in the name of the carrier expected to deliver the item.

Contents	Index	Exit
--------------------------	-----------------------	----------------------

COMMENT. Type in a comment to be associated with this transaction. The comment prints on the Inventory Transaction Register (AMV3G). The comment is also added to the Purchase Order Detail file as a T type comment when your files are updated. If you have entered a blanket release number for this transaction, the comment will become a release comment for that specific release.

[Contents](#)[Index](#)[Exit](#)

AMI3D37B—Inventory Transaction—Purchase Order Vendor Accept (VA) (Review)

Use this display to change previously processed Purchase Order Vendor Accept transactions that were added to the transaction file in Batch Update mode. It appears only if batch update was selected during application tailoring.

This display appears when you select **F05 CHANGE** while you are reviewing a Purchase order Vendor Accept transaction on either the Inventory Transaction – Summary Review display (AMI3D31R), or the Inventory Transaction – Detail Review (Review) display (AMI3D32R).

This display also appears when you select **F02 PAGE FORWARD** or **F03 PAGE BACKWARD** on display AMI3D37B, and the next or the previous transaction is also a Purchase Order Vendor Accept transaction.

```

DATE **/**/**          INVENTORY TRANSACTION          REVIEW  AMI3D37B **
                        PURCHASE ORDER VENDOR ACCEPT (VA)
ORDER  ITEM NUMBER    WHSE SEQ.  BLK  DATE  PROMISE DATE
aaaaaA7  aaaaaaaaaA15  aA3  nnn  nnnn  nnnnnn      nnnnnn

COMMENT                SHIP VIA  aaaaaaaaaaaaaaaaaaaaaA25
aaaaaaaaaaaaaaaaaaaaaaaaaaaaaaaaaaaaaaaaaaaaaaaaaaaaaaaaaaaaaaaaA80
-----

```

```

F02 PAGE FORWARD
F03 PAGE BACKWARD
F09 REVIEW ALL
F10 RETURN TO SELECT
F17 ACCEPT W/ERROR
F20 DELETE RECORD

```

What to do

To change a transaction, type in the information you need to change and press **Enter**. The transaction is processed. Any changes made are checked for possible errors. Then either the next or the previous transaction in the batch appears, depending on whether you page forward or backward.

- If it is the same type transaction, display AMI3D37B appears again.
- If it is a different type transaction, the Inventory Transaction – Detail Review (Review) display (AMI3D32R) appears.

Function keys

F02 PAGE FORWARD causes the next transaction in the batch to appear. If it is the same transaction type, display AMI3D37B appears again. If it is a different

Contents	Index	Exit
--------------------------	-----------------------	----------------------

transaction type, the Inventory Transaction – Detail Review display (AMI3D32R) appears.

F03 PAGE BACKWARD causes the previous transaction in the batch to appear. If it is the same transaction type, display AMI3D37B appears again. If it is a different transaction type, the Inventory Transaction – Detail Review display (AMI3D32R) appears.

F09 REVIEW ALL causes the Inventory Transaction – Summary Review (Review) display (AMI3D31R) to appear so you can review a summary of the next or the previous group of transactions in the batch, depending on whether you were paging forward or backward.

F10 RETURN TO SELECT causes the Inventory Transaction – Transaction Selection (Select) display (AMI3D01) to appear again so you can type in additional transactions.

F17 ACCEPT W/ERROR accepts any transactions shown with error (E) messages, and flags them as error transactions. You must correct these transactions before the Inventory Transaction Register report (AMV3G) is printed.

Note: F17 is not required if only warning (W) messages appear.

F20 DELETE RECORD causes the Purchase Order Vendor Accept transaction shown to be deleted. Either the next or the previous transaction in the batch appears, depending on whether you were paging forward or backward.

If it is the same transaction type, display AMI3D37B appears again. If it is a different transaction type, the Inventory Transaction – Detail Review display (AMI3D32R) appears.

Fields

Any of the fields on this display can be changed, or the entire Purchase Order Vendor Accept transaction can be deleted using this display. Refer to “AMI3D37E—Inventory Transaction–Purchase Order Vendor Accept (VA) (Enter)” for an explanation of these fields.

Contents	Index	Exit
--------------------------	-----------------------	----------------------

AMI3D37I—Inventory Transaction—Purchase Order Vendor Accept (VA) (Review)

Use this display to review or reverse previously processed Purchase Order Vendor Accept transactions that were added to the transaction file in immediate update mode. It appears only if immediate update was selected during application tailoring.

This display appears when you select **F05 CHANGE**, while you are reviewing a Purchase Order Vendor Accept transaction on either the Inventory Transaction – Summary Review display (AMI3D31R), or the Inventory Transaction – Detail Review display (AMI3D32R).

This display also appears when you select **F02 PAGE FORWARD** or **F03 PAGE BACKWARD** on display AMI3D37I, and the next or the previous transaction is also a Purchase Order Vendor Accept transaction.

Note: When you are reviewing a batch that was loaded from an offline file, display AMI3D37B appears instead of this display.

```

DATE **/**/**                INVENTORY TRANSACTION        REVIEW   AMI3D37I **
                             PURCHASE ORDER VENDOR ACCEPT (VA)
REV  ORDER  ITEM NUMBER  WHSE SEQ.  BLK  DATE  PROMISE DATE
A   *****  *****
COMMENT                SHIP VIA *****
*****
-----

```

```

F02 PAGE FORWARD
F03 PAGE BACKWARD
F09 REVIEW ALL
F10 RETURN TO SELECT

```

What to do

To reverse a transaction, type **R** in the **REV** field and press **Enter**. The transaction shown on the display is reversed. Then, either the next or the previous transaction in the batch appears, depending on whether you page forward or backward.

- If it is the same type transaction, the AMI3D37I display appears again.
- If it is a different type transaction, the Inventory Transaction – Detail Review (Review) display (AMI3D32R) appears.

To correct an unapplied transaction (**REV=U**), type **E** (Error) or **A** (Active) in the **REV** field and press **Enter**. If you typed A in the **REV** field, the master files are updated. Then, either the next or the previous transaction in the batch appears, depending on whether you page forward or backward.

- If it is the same type transaction, the AMI3D37I display appears again.
- If it is a different type transaction, the Inventory Transaction – Detail Review (Review) display (AMI3D32R) appears.

Function keys

F02 PAGE FORWARD causes the next transaction in the batch to appear. If it is the same transaction type, display AMI3D37I appears again. If it is a different transaction type, the Inventory Transaction – Detail Review display (AMI3D32R) appears.

F03 PAGE BACKWARD causes the previous transaction in the batch to appear. If it is the same transaction type, display AMI3D37I appears again. If it is a different transaction type, the Inventory Transaction – Detail Review display (AMI3D32R) appears.

F09 REVIEW ALL causes the Inventory Transaction – Summary Review (Review) display (AMI3D31R) to appear. This allows reviewing a summary of the next or the previous group of transactions in the batch depending on whether you were paging forward or backward.

F10 RETURN TO SELECT causes the Inventory Transaction – Transaction Selection (Select) display (AMI3D01) to appear again so you can type in additional transactions.

Fields

On this display, only the **REV** field is optional and can be typed in. All other fields are informational only. Refer to “AMI3D37E—Inventory Transaction—Purchase Order Vendor Accept (VA) (Enter)” for an explanation of these fields.

To change any of these fields, you must reverse this Purchase Order Vendor Accept transaction with the reversal codes described below, and retype it using display AMI3D37E.

REV (Reversal Code). One of the following codes:

- A** Active. This code appears for valid transactions. If you type in R, the transaction is reversed, and the master files are changed back as they were previously. The Inventory Transaction Register (AMV3G) shows the transaction as deleted.
- R** Reversed. If you type an A, this transaction is reactivated.
- E** Error. This code appears only after you have changed U to E.
- U** Unapplied. This code appears for transactions made in immediate update mode that were not accepted because of errors. Before the batch can be closed, transactions with code U must be changed to either E (accept with error), or A (reactivate). If you change U to E, no master files are updated.

Contents	Index	Exit
--------------------------	-----------------------	----------------------

AMI3D37R—Inventory Transaction—Purchase Order Vendor Accept (VA) (Enter/Review)

Use this display to add Purchase Order Vendor Accept transactions to the selected batch or to change previously added Purchase Order Vendor Accept transactions that were added to the transaction file in Batch Update mode.

This display appears in Enter mode when you press **Enter** on the Inventory Transaction – Purchase Order Update Routings (Enter) display (AMI3D33E) and transaction code is VA in the Purchase Order Routing file.

This display appears in Review mode when you press **Enter** on the Inventory Transaction – Purchase Order Update Routings (Review) display (AMI3D33B) and transaction code is VA in the Purchase Order Routing file.

```

DATE **/**/**          INVENTORY TRANSACTION          *****  AMI3D37R **
                        PURCHASE ORDER VENDOR ACCEPT (VA)
ORDER  ITEM NUMBER    WHSE  SEQ.  BLK  DATE  PROMISE DATE
*****  *****
COMMENT          SHIP VIA  aaaaaaaaaaaaaaaaaaaaaA25
aaaaaaaaaaaaaaaaaaaaaaaaaaaaaaaaaaaaaaaaaaaaaaaaaaaaaaaaaaaaaaaaA80

F09 REVIEW ALL
F10 RETURN TO SELECT
F17 ACCEPT W/ERROR
    
```

What to do

To enter or change a transaction, type in the information you need and press **Enter**. The Purchase Order Vendor Accept transaction is processed, and the Inventory Transaction – Purchase Order Update Routings display (AMI3D33E) appears again. Any changes made are checked for possible errors.

Function keys

F09 REVIEW ALL causes the Inventory Transaction – Summary Review (Review) display (AMI3D31R) to appear. This allows reviewing a summary of the next or the previous group of transactions in the batch depending on whether you were paging forward or backward.

F10 RETURN TO SELECT causes the Inventory Transaction – Transaction Selection (Select) display (AMI3D01) to appear again so you can type in additional transactions.

Contents	Index	Exit
--------------------------	-----------------------	----------------------

F17 ACCEPT W/ERROR accepts any transactions shown with error (E) messages, and flags them as error transactions. You must correct these transactions before the Inventory Transaction Register report (AMV3G) is printed.

Note: F17 is not required if only warning (W) messages appear.

Fields

Refer to "AMI3D37E—Inventory Transaction—Purchase Order Vendor Accept (VA) (Enter)" for an explanation of these fields.

Contents	Index	Exit
--------------------------	-----------------------	----------------------

AMI3D38E—Inventory Transaction—Purchase Return to Vendor (VR) (Enter)

Use this display to type in Purchase Return to Vendor transactions for items you are returning from stock or from the dock.

VR transactions can be processed against an order, an item, or a release that is complete. The order, item, or release is re-opened by this transaction. The item or release status is reset to 40 (received to stock). If the order status was 40 (received complete to stock), it is reset to 30 (receiving activity reported). If the order status was 50 (invoiced and received complete), it is reset to 30 (receiving activity reported). The order remains open until either:

- An RP transaction with a completion code of C and zero quantity is reported, if inspect on receipt is not required. Or, a Quality Control transaction with order number and completion of C is reported, if inspect on receipt is required. One of these transactions should be used if Resupply is N (no).
- The full order quantity is received by an RP transaction (inspect on receipt not required) or RI and Quality Control transactions (inspect on receipt required). This should be used when Resupply is Y (yes).

If Purchasing is installed, this display appears when you select option 26 or enter transaction code VR on display AMI3D01.

You can enter up to two Purchase Return to Vendor transactions on this display. A history area at the top of the display shows you the last valid Purchase Return to Vendor transaction in the batch.

```

DATE **/**/**          INVENTORY TRANSACTION          ENTER    AMI3D38E **
                        PURCHASE RETURN TO VENDOR (VR)
ORDER  ITEM NUMBER    WHSE  QUANTITY  U/M  SEQ.  BLK      TRN AMT
*****  *****
*****  *****  ***  *****  ***  **  ***  ****  *****  ****

REFERENCE  REASON  DATE  RESUPPLY  LOCATION  BATCH/LOT  FIFO DATE
*****  *****  *****  *  *****  *****  *****
COMMENT    GRN                                     GRN INV <Y/N>
*****
*****
-----
aaaaA6 aaaaaaaaaA15 aA3 nnnnnn.nnn A2   nnn  nnnn nnnnnnnnnnn.nnnn
aaaaaaA10 aaaaA6  nnnnnn  A   aaaaaA7 aaaaaaaA10 nnnnnn
          aaaaaaaaaaaaaaaaaaaaaA26                                     A
aaaaaaaaaaaaaaaaaaaaaaaaaaaaaaaaaaaaaaaaaaaaaaaaaaaaaaaaaaaaaaaaA80

aaaaA6 aaaaaaaaaA15 aA3 nnnnnn.nnn A2   nnn  nnnn nnnnnnnnnnn.nnnn
aaaaaaA10 aaaaA6  nnnnnn  A   aaaaaA7 aaaaaaaA10 nnnnnn
          aaaaaaaaaaaaaaaaaaaaaA26                                     A
aaaaaaaaaaaaaaaaaaaaaaaaaaaaaaaaaaaaaaaaaaaaaaaaaaaaaaaaaaaaaaaaA80
ENTER LINE NUMBER, OR 9 TO END  n

                                F09 REVIEW ALL
                                F10 RETURN TO SELECT
                                F17 ACCEPT W/ERROR
    
```

What to do

To enter a transaction, type in the information you need and press **Enter**.

Contents	Index	Exit
-----------------	--------------	-------------

- If one or more error messages appear, the transaction cannot be processed. You must change it before pressing **Enter** again.
- If only information or warning messages appear, press **Enter** again to process the transaction shown. If the transaction is not correct, you should change it before pressing **Enter** again.
- If you have only processed an RD transaction, you can enter a VR regardless of whether the item is defined as inspect on receipt or not.
Also, you must leave the **LOCATION** field blank regardless of whether or not the item is intended for a controlled or uncontrolled warehouse. A blank location tells the system you are returning from the dock.
- If the item requires inspect on receipt and you have already processed an RI transaction against a controlled warehouse, the VR transaction is not allowed. You must complete the return by using the Quality Control transaction (PQ) using displays AMIQH1 and AMIQH5.
- If the item is already in stock (a PQ or RP has already been processed), you can use the VR transaction regardless of whether the item is inspect on receipt or not.
 - If you are returning from a controlled warehouse, enter the actual location from which you are taking the items. If you are returning a miscellaneous/ service item from a controlled warehouse, you can enter a valid location so that stock can be returned from that location. Or you can enter an invalid location, preferably "stock", which will not update any location.
 - If you are returning from an uncontrolled warehouse, you must still make an entry in the **LOCATION** field for tracking purposes. The preferred entry is "stock".
 - If **LOCATION** is left blank, an error message appears.
- If there are no errors, the transaction shown is processed and display AMI3D38E appears again:
 - If the **SHORTAGE CHECKING** field on display AMI3D01 contains NO, or there are no potential shortages, you can enter another transaction.
 - If the **SHORTAGE CHECKING** field on display AMI3D01 contains YES, or there is a potential shortage, display AMI3D38E contains a line number next to the transaction so you can check shortages for the item.
 - If a line number appears and you type in the line number to check shortages, press **Enter** again to review shortages for the requested item on the Dispatch Materials Inquiry display (AMI3D28E).
 - If a line number appears and you type in 9 to end shortage checking, and press **Enter**, display AMI3D38E appears again so you can enter another transaction.

Function keys

F09 REVIEW ALL causes the Inventory Transaction – Summary Review (Review) display (AMI3D31R) to appear so you can review a summary of the last 12 transactions in the batch.

F10 RETURN TO SELECT causes the Inventory Transaction – Transaction Selection (Select) display (AMI3D01) to appear again so you can select another transaction type.

Contents	Index	Exit
--------------------------	-----------------------	----------------------

F17 ACCEPT W/ERROR accepts any transactions shown with error (E) messages, and flags them as error transactions. You must correct these transactions before the Inventory Transaction Register report (AMV3G) is printed.

Note: **F17** is not required if only warning (W) messages appear. **F17** is only valid in Batch Update mode.

Fields

[?] appears next to a field name in the following field definitions to identify a field from which you can begin a master file search.

Each of the following fields appears twice on the display, once for each of the two transactions. You can duplicate any of the alphanumeric fields from the history area in the corresponding fields below the line by putting the cursor in the desired field, and then pressing the **DUP** key.

ORDER (Order Number) [?]. Required. Type in the number of the purchase order for this Purchase Return to Vendor transaction. The order must not be complete or canceled. (The order status must be less than 40, Complete Buyer.)

ITEM NUMBER [?]. Required. Type in the number of the item returned. The purchase order status of the item must not be 50 (Complete Vendor).

WHSE (Warehouse Code). Required if you have multiple warehouses defined in the Warehouse Master file. Type in the code of the warehouse where this item is stored. If you have only one warehouse, this field does not appear.

QUANTITY. Required. Type in the quantity returned to the vendor.

U/M (Unit of Measure). If the **QUANTITY** field value is in purchase units, type in the purchase unit of measure. If the **QUANTITY** field value is in stocking units, type in the stocking unit of measure or leave this field blank. If you leave this field blank, the stocking unit of measure in the Item Master file is used.

SEQ. (Line Item Sequence). Type in the line item sequence number for miscellaneous and service items. Leave this field blank for inventory items.

BLK (Blanket Release). Type in the blanket release number if this is a blanket purchase order and you want the return applied to a specific release. If you leave this field blank, and this is a blanket purchase order, an error message appears.

TRN AMT (Transaction Amount). Type in the amount of this Purchase Return to Vendor transaction. This field must have the same sign (+ or -) as the **QUANTITY** field value. This field is not required; however, if you do type in an amount, a Cost Adjustment (CA) will be made to the cost field in the Item Balance file.

REFERENCE. Type in a user-defined value to be used for reference purposes only. It is printed on the Inventory Transaction Register report (AMV3G).

REASON. Type in a code explaining the reason for this transaction. This code is assigned by your company.

DATE. Type in the date of this transaction. If you leave this field blank, the transaction date from display AMI3D01 is used.

Contents	Index	Exit
--------------------------	-----------------------	----------------------

RESUPPLY. Required. Type in one of the following codes:

Y Yes. The vendor is requested to resupply the quantity being returned.

N No. The vendor is not requested to resupply the quantity being returned. The vendor is requested to issue a credit memo.

LOCATION [?]. Type in the stock location of the item in a controlled warehouse. The application updates the on hand balance for the item with the amount in the **QUANTITY** field. Leave this field blank if the item is being returned from a location where the application does not consider the item as having been received to stock. An example is a loading dock area. When you leave this field blank, the on hand balance for the item is not updated by this transaction.

BATCH/LOT. Type in the batch or lot number if you chose the batch/lot control option during application tailoring, and it applies to this item.

FIFO DATE (First-In-First-Out Date). Type in the date when the item was received in stock, whether approved or unapproved. The default is the transaction date. This field appears only if the FIFO date integrity option was selected during application tailoring.

COMMENT. Type in any comment to be associated with this transaction. The comment prints on the Inventory Transaction Register (AMV3G). The comment is also added to the Purchase Order Detail file as a T type comment when your files are updated. If you have entered a blanket release number for this transaction, the comment will become a release comment for that specific release.

GRN (Goods Received Note). This field appears if the GRN option was selected during application tailoring or if IFM is installed and interfacing. The number of the goods received note that corresponds to a receipt. This field is user-defined and can represent a receiving ticket, a bill of lading, or an IFM invoice number. The GRN is used by the accounts payable department to check that invoiced items were actually received.

GRN INV (Goods Received Notes Invoice). This field appears only if IFM is installed and interfacing. Type in one of the following to describe the use of the GRN field:

Y GRN is an IFM invoice number

N GRN is being used to match another document, such as a bill of lading

blank GRN number is not being used. This is the default.

[Contents](#)[Index](#)[Exit](#)

AMI3D38B—Inventory Transaction—Purchase Return to Vendor (VR) (Review)

Use this display to change previously processed Purchase Return to Vendor transactions that were added to the transaction file in Batch Update mode. It appears only if batch update was selected during application tailoring.

This display appears when you select **F05 CHANGE**, while you are reviewing a Purchase Return to Vendor transaction on either the Inventory Transaction – Summary Review display (AMI3D31R), or the Inventory Transaction – Detail Review display (AMI3D32R).

This display also appears when you select **F02 PAGE FORWARD** or **F03 PAGE BACKWARD** on display AMI3D38B, and the next or the previous transaction is also a Purchase Return to Vendor transaction.

```

DATE **/**/**          INVENTORY TRANSACTION          REVIEW  AMI3D38B **
                        PURCHASE RETURN TO VENDOR (VR)
ORDER  ITEM NUMBER    WHSE  QUANTITY  U/M  SEQ.  BLK          TRN AMT
aaaaaA7 aaaaaaaaaaaaA15  aA3  nnnnnnn.nnn  A2  nnn  nnnn nnnnnnnnnnn.nnnn

REFERENCE  REASON  DATE  RESUPPLY  LOCATION  BATCH/LOT  FIFO DATE
aaaaaaaA10  aaaaA6  nnnnnn  A  aaaaaA7  aaaaaaA10  nnnnnn

COMMENT      GRN                                GRN INV <Y/N>
              aaaaaaaaaaaaaaaaaaaaaA26                                A
aaaaaaaaaaaaaaaaaaaaaaaaaaaaaaaaaaaaaaaaaaaaaaaaaaaaaaaaaaaaaaaaaaaaaaaaA80
-----

```

```

F02 PAGE FORWARD
F03 PAGE BACKWARD
F09 REVIEW ALL
F10 RETURN TO SELECT
F17 ACCEPT W/ERROR
F20 DELETE RECORD

```

What to do

To change a transaction, type in the information you need to change and press **Enter**. The transaction is processed. Any changes made are checked for possible errors. Then either the next or the previous transaction in the batch appears, depending on whether you page forward or backward.

- If it is the same type transaction, display AMI3D38B appears again.
- If it is a different type transaction, the Inventory Transaction – Detail Review (Review) display (AMI3D32R) appears.

Function keys

F02 PAGE FORWARD causes the next transaction in the batch to appear. If it is the same transaction type, display AMI3D38B appears again. If it is a different transaction type, the Inventory Transaction – Detail Review display (AMI3D32R) appears.

Contents	Index	Exit
--------------------------	-----------------------	----------------------

F03 PAGE BACKWARD causes the previous transaction in the batch to appear. If it is the same transaction type, display AMI3D38B appears again. If it is a different transaction type, the Inventory Transaction – Detail Review display (AMI3D32R) appears.

F09 REVIEW ALL causes the Inventory Transaction – Summary Review (Review) display (AMI3D31R) to appear so you can review a summary of the next or the previous group of transactions in the batch, depending on whether you were paging forward or backward.

F10 RETURN TO SELECT causes the Inventory Transaction – Transaction Selection (Select) display (AMI3D01) to appear again so you can type in additional transactions.

F17 ACCEPT W/ERROR accepts any transactions shown with error (E) messages, and flags them as error transactions. You must correct these transactions before the Inventory Transaction Register report (AMV3G) is printed.

Note: F17 is not required if only warning (W) messages appear.

F20 DELETE RECORD causes the Purchase Return to Vendor transaction shown to be deleted. Either the next or the previous transaction in the batch appears, depending on whether you were paging forward or backward. If it is the same transaction type, display AMI3D38B appears again. If it is a different transaction type, the Inventory Transaction – Detail Review display (AMI3D32R) appears.

Fields

Any of the fields on this display can be changed, or the entire Purchase Return to Vendor transaction can be deleted using this display.

Refer to “AMI3D38E—Inventory Transaction–Purchase Return to Vendor (VR) (Enter)” for an explanation of the fields on this display.

[Contents](#)[Index](#)[Exit](#)

AMI3D38I—Inventory Transaction—Purchase Return to Vendor (VR) (Review)

Use this display to review or reverse previously processed Purchase Return to Vendor transactions that were added to the transaction file in immediate update mode. It appears only if immediate update was selected during application tailoring.

This display appears when you select **F05 CHANGE**, while you are reviewing a Purchase Return to Vendor transaction on either the Inventory Transaction – Summary Review display (AMI3D31R), or the Inventory Transaction – Detail Review (Review) display (AMI3D32R).

This display also appears when you select **F02 PAGE FORWARD** or **F03 PAGE BACKWARD** on display AMI3D38I, and the next or the previous transaction is also a Purchase Return to Vendor transaction.

Note: When reviewing a batch that was loaded from an offline file, display AMI3D38B appears instead of this display.

```

DATE **/**/**          INVENTORY TRANSACTION          REVIEW  AMI3D38I **
                        PURCHASE RETURN TO VENDOR (VR)
REV ORDER  ITEM NUMBER  WHSE  QUANTITY  U/M  SEQ.  BLK          TRN AMT
A  aaaaaA7  aaaaaaaaaaaaA15  aA3  nnnnnnn.nnn  A2  nnn  nnnn  nnnnnnnnnnn.nnnn

REFERENCE  REASON  DATE  RESUPPLY  LOCATION  BATCH/LOT  FIFO DATE
aaaaaaaaA10  aaaaA6  nnnnnn  A  aaaaaA7  aaaaaaaA10  nnnnnn
COMMENT    GRN          GRN INV <Y/N>
          aaaaaaaaaaaaaaaaaaaaaA26  A
aaaaaaaaaaaaaaaaaaaaaaaaaaaaaaaaaaaaaaaaaaaaaaaaaaaaaaaaaaaaaaaaaaaaaaaaA80
-----

```

```

F02 PAGE FORWARD
F03 PAGE BACKWARD
F09 REVIEW ALL
F10 RETURN TO SELECT

```

What to do

To reverse a transaction, type **R** in the **REV** field and press **Enter**. The transaction shown on the display is reversed. Then, either the next or the previous transaction in the batch appears, depending on whether you page forward or backward.

- If it is the same type transaction, the AMI3D38I display appears again.
- If it is a different type transaction, the Inventory Transaction – Detail Review (Review) display (AMI3D32R) appears.

To correct an unapplied transaction, type **E** or **A** in the **REV** field, type in changes, if needed, and press **Enter**. If you typed A in the **REV** field, the master files are updated. Then, either the next or the previous transaction in the batch appears, depending on whether you page forward or backward.

Contents	Index	Exit
--------------------------	-----------------------	----------------------

- If it is the same type transaction, the AMI3D38I display appears again.
- If it is a different type transaction, the Inventory Transaction – Detail Review (Review) display (AMI3D32R) appears.

Function keys

F02 PAGE FORWARD causes the next transaction in the batch to appear. If it is the same transaction type, display AMI3D38I appears again. If it is a different transaction type, the Inventory Transaction – Detail Review display (AMI3D32R) appears.

F03 PAGE BACKWARD causes the previous transaction in the batch to appear. If it is the same transaction type, display AMI3D38I appears again. If it is a different transaction type, the Inventory Transaction – Detail Review display (AMI3D32R) appears.

F09 REVIEW ALL causes the Inventory Transaction – Summary Review (Review) display (AMI3D31R) to appear so you can review a summary of the next or the previous group of transactions in the batch, depending on whether you were paging forward or backward.

F10 RETURN TO SELECT causes the Inventory Transaction – Transaction Selection (Select) display (AMI3D01) to appear again so you can type in additional transactions.

Fields

On this display, only the **REV** field is optional and can be typed in. All other fields are informational only.

Refer to “AMI3D38E—Inventory Transaction—Purchase Return to Vendor (VR) (Enter)” for an explanation of these fields.

To change any of these fields, you must reverse this Purchase Return to Vendor transaction with the reversal codes described below, and retype it using display AMI3D38E.

REV (Reversal Code). One of the following codes:

- A** Active. This code appears for valid transactions. If you type in R, the transaction is reversed, and the master files are changed back as they were previously. The Inventory Transaction Register (AMV3G) shows the transaction as deleted.
- R** Reversed. If you type an A, this transaction is reactivated.
- E** Error. This code appears only after you have changed U to E.
- U** Unapplied. This code appears for transactions made in immediate update mode that were not accepted because of errors. Before the batch can be closed, transactions with code U must be changed to either E (accept with error), or A (reactivate). If you change U to E, no master files are updated.

Option 2. Entry from Offline Files (AMIM30)

Use this option when you need to load offline records to the Inventory Transaction Entry batch.

All offline data entry is treated as if batch processing is selected. All transactions from diskettes or other offline devices are placed in a batch transaction file and the batch is suspended. The transactions are edited; any transactions that are not valid are marked as errors. The transactions must be corrected before being used to update the master files.

Offline entry is supported for:

Average Cost Replace (CR)	Planned Manufacturing Issue (IP)
Component Return to Stock (RS)	Production Receipt (RM)
Cost Adjustment (CA)	Purchase Order Scrap (SP)
Interwarehouse Issue (IW)	Purchase Receipt to Dock (RD)
Interwarehouse Receipt (RW)	Purchase Receipt to Inspection (RI)
Inventory Adjustment (IA)	Purchase Receipt to Stock (RP)
Manufacturing Component Scrap (SC)	Sales Shipment (SA)
Manufacturing Order Scrap (SM)	Scrap From Stock (SS)
Miscellaneous Issue (IS)	Standard Cost Replace (CS)
Miscellaneous Receipt (RC)	Unplanned Component Issue (IU)
Pick Complete by Order (PC)	Vendor Return (VR)

Pick Complete by Item (PB), and Interwarehouse Transfer (TW), transactions cannot be entered offline.

When a closed batch is processed by the Transaction Register option on menu AMIM30, the master files are updated.

Note: If any transactions have errors, other than warnings, they are not used to update the master files but are printed on an error list at the beginning of the Inventory Transaction Register so that errors can be corrected and the transactions reentered.

After the errors are corrected, close the batch using option 1 (Entry) on the Transaction Processing menu (AMIM30).

What information you need: The Offline Inventory Transaction file containing the inventory transactions that were entered offline.

What report is printed: Inventory Transaction Edit List (AMI3B). If you typed **Y** in **ERRORS ONLY LISTING?** on the Copy Offline File (Options) Display (AXVOL1), only error records are printed. If you typed in N, all transactions are printed.

What forms you need: None

After you select this menu option, your work station is free to be used for other options.

[Contents](#)[Index](#)[Exit](#)

AXVOL1—Copy Offline File (Options)

Use this display to load new Item Master file records and to apply changes to existing records from offline files.

This display appears when you select option 1 or 2 and press **Enter** on display AMEP55 or when you select option 2 on the IM Transaction Processing menu (AMIM30) or when you select option 4 on the AR Transaction Processing menu (AMRM10) or option 2 on the GL Journal Processing menu (AMGM10).

```

DATE *****          COPY OFFLINE FILE          OPTIONS  AXVOL1  **

ERRORS ONLY LISTING? <Y/N>          A

OFFLINE FILE NAME                    aaaaaaaaaA10
OFFLINE FILE LOCATION <1/2>          n
    1 - DISKETTE
    2 - DISK

DISKETTE DEVICE OR DISK LIBRARY NAME aaaaaaaaaA10
IF DISK - DELETE OFFLINE FILE? <Y/N> A

                                         F24 CANCEL THE JOB

```

What to do

To process offline files, type in your selections and press **Enter**. One of the following happens:

- If you are loading files from diskette, you see a series of displays. Follow the instructions on the displays. When the process has been completed, the menu from which you started the process appears again.
- If you are loading a file from disk, the system loads the file from the disk. When the process has been completed, the menu from which you started appears again.

Function keys

F24 CANCEL THE JOB cancels the job and returns you to the menu on which you selected an offline file.

Fields

ERRORS ONLY LISTING? <Y/N>. This field appears only during selected initial file load tasks. Type in **Y** (yes) to print a listing of only the errors. Type in **N** (no) to print a listing of all the records in the file.

OFFLINE FILE NAME. Type in the name of the offline file that you are copying.

Contents	Index	Exit
-----------------	--------------	-------------

Note: If you are using this display from Inventory Management and loading the 128-byte diskette data entry format, you must type in **INVENT** (Inventory Transaction Entry) as the offline file name.

OFFLINE FILE LOCATION <1/2>. Type in **1** if the offline file is on diskette. Type in **2** if the offline file is on disk.

DISKETTE DEVICE OR DISK LIBRARY NAME. If the file is on diskette, type in the name of the diskette device you want to use. If the file is on disk, type in the disk library name for the file.

IF DISK - DELETE OFFLINE FILE? <Y/N>. If you are copying the file from disk, type in **Y** (yes) if you want to delete the file after you copy it. Type in **N** (no) if you want to keep the file on disk.

Option 3. Transaction Register (AMIM30)

Use this option when you need to print a copy of the Inventory Transaction Register and, if you use batch update, post closed inventory transaction batches to the master files.

Note: Before printing the Inventory Transaction Register, make sure you have:

1. Entered inventory transactions using option 1 (Entry) on the Transaction Processing menu (AMIM30)
2. Selected **F24 (Close Batch)** for at least one inventory transaction batch. (Only closed batches are processed.)

What information you need: None.

What reports are printed:

- Inventory Transaction Batch Extract (AMI3E)
- Inventory Transaction Register (AMV3G).

What forms you need: None.

The basic steps to print a transaction register report follow each display.

AMIC51—Transaction Register (Select)

Use this display to select all batches or specific batches for processing.

This display appears when you select option 3 on the Transaction Processing menu (AMIM30).

```
DATE **/**/**          TRANSACTION REGISTER          SELECT          AMIC51  **

Select one of the following:
1 All Closed Batches
2 Single Closed Batch
3 Closed Batches by Workstation ID
4 Closed Batches by Operator ID

Enter Selection: n

F24 END OF JOB
```

What to do

To select a processing option, type in a number from 1 to 4, and press **Enter**.

- If you typed in 1, the master files are updated with the inventory transactions and the Inventory Transaction Register (AMV3G) is scheduled to print. The Transaction Processing menu (AMIM30) appears again.
- If you typed in 2, 3 or 4, the Transaction Register Option display (AMIC52) appears.

Function keys

F24 END OF JOB causes no report to be scheduled for printing, and the Transaction Processing menu (AMIM30) to appear again.

Fields

Enter Selection. Type in one of the following codes to select a processing option:

- 1** All closed batches. Process all closed batches.
- 2** Single closed batch. Process one specific closed batch.
- 3** Closed batches by workstation ID. Process all closed batches entered at a specific work station.

Contents	Index	Exit
--------------------------	-----------------------	----------------------

- 4 Closed batches by operator ID. Process all closed batches entered by a specific operator.

[Contents](#)[Index](#)[Exit](#)

AMIC52—Transaction Register Option

Use this display to select specific batches for processing.

This display appears when you type 2, 3, or 4 in **Enter Selection** on the Transaction Register display (AMIC51).

```

DATE **/**/**          TRANSACTION REGISTER OPTION          AMIC52  **

Enter *****          aaaaaaA10

                                     F19 RETURN TO SELECT
                                     F24 END OF JOB

```

What to do

To select a specific batch for processing, type in its number and press **Enter**. The master files are updated with the inventory transactions and the Inventory Transaction Register (AMV3G) is scheduled to print. The Transaction Processing menu (AMIM30) appears again.

Function keys

F19 RETURN TO SELECT causes no master files to be updated, no report to be scheduled for printing, and the Transaction Register (Select) display (AMIC51) to appear again.

F24 END OF JOB causes no master files to be updated, no report to be scheduled for printing, and the Transaction Processing menu (AMIM30) to appear again.

Fields

Enter *****. Type in either the number of the specific batch to be processed, the ID of the work station where the batches to be processed were entered, or the ID of the operator who entered batches to be processed.

The ***** field appears as either BATCH, WORKSTATION ID, or OPERATOR ID depending on the option you chose on display AMIC51.

Contents	Index	Exit
--------------------------	-----------------------	----------------------

Option 4. Quality Control Transactions (AMIM30)

Use this option when you want to enter Quality Control transactions. You can do the following:

- Accept or reject the entire contents of a location
- Accept or reject all or part of the location quantity if there is no order number associated with the stock in this location
- Accept or reject all or part of the location quantity, transfer items that are approved or rejected to another location, and scrap rejected quantity
- Accept or reject all or part of the location quantity, transfer items that are approved to another location, and return all or part of the rejected quantity

What information you need: None.

What reports are printed: Quality Control Transactions (AMIQH).

What forms you need: None.

The basic steps to print a Quality Control Transactions report follow each display.

[Contents](#)[Index](#)[Exit](#)

AMIQH1—Quality Control Transactions (Select)

Use this display to report that an inspection has been completed for a selected item in a controlled warehouse. This transaction is used to record inspection on receipt as well as check shelf life.

This display appears when you select option 4 from the Transaction Processing menu (AMIM30).

DATE **/**/**	QUALITY CONTROL TRANSACTIONS				SELECT	AMIQH1 **		
ITEM	WHS	LOCATION	BATCH/LOT	FIFO DATE	ORDER NO	BLK	CMP	CD
aaaaaaaaaaaaA15	aA3	aaaaaA7	aaaaaaaA10	nnnnn	aaaaaA7	nnnn		A
UPDATED LAST:								
ITEM	WHS	LOCATION	BATCH/LOT	FIFO DATE	ORDER NO	BLK	CMP	CD
*****	***	*****	*****	**/**/**	*****	****		*
F24 DISPLAY STATUS								

What to do

To report inspection for a selected item in a controlled warehouse, type in the item number and, optionally, the warehouse for the item that has completed QC inspection and press **Enter**.

- If the order number is blank and multiple orders are received into the location, the Quality Control Transactions (Enter) display (AMIQH2) appears.
- If there is no order number associated with the stock in this location, the Quality Control Transactions (Enter) display (AMIQH3) appears.
- The Quality Control Transactions (Enter) display (AMIQH4) appears when you perform one of the following actions:
 - Type in a manufacturing order number
 - Type in a purchase order number and Purchasing is not installed
 - Leave the **ORDER NO** field blank, and there is only one manufacturing order associated with the quantity to be inspected
 - Leave the **ORDER NO** field blank, there is only one purchase order associated with the quantity to be inspected, and Purchasing is not installed.
- The Quality Control Transactions (Enter) display (AMIQH5) appears when you perform one of the following actions:
 - Enter a purchase order number and Purchasing is installed

- Leave the **ORDER NO** field blank, there is only one purchase order associated with the quantity to be inspected, and Purchasing is installed.

Function keys

F24 DISPLAY STATUS causes the Quality Control Transactions (Status) display (AMIQH6) to appear.

Fields

[?] appears next to a field name in the following field definitions to identify a field from which you can begin a master file search.

ITEM (Item Number) [?]. Required. Type in the number of the item that has completed QC inspection.

WHS (Warehouse). Required if you have multiple warehouses defined in the Warehouse Master file. Type in the code of the warehouse where this item is stored. If you have only one warehouse, this field does not appear.

LOCATION [?]. Type in the location where the item is stored. Location is required if the completion code is blank.

BATCH/LOT (Batch or Lot Number). Type in the number of the batch/lot that has completed QC inspection. Batch/lot number is required if batch/lot control is active, the item is batch/lot controlled, and the completion code is blank.

FIFO DATE. Type in the date when the item was received in stock. FIFO date is required if FIFO control is active and the completion code is blank. This field appears only if the FIFO date integrity option was selected during application tailoring.

ORDER NO [?]. Type in the manufacturing or purchase order number for the item that has completed QC inspection. Order number is required if the completion code is entered.

BLK (Blanket Release Number). Type in the blanket release number if this is a blanket purchase order and the transaction should be applied to a specific release.

CMP CD (Completion Code).

C	Receipt complete
P or blank	Partial receipt
R	Completed order has been reopened

UPDATED LAST. Information about the record updated last.

Contents	Index	Exit
--------------------------	-----------------------	----------------------

AMIQH2—Quality Control Transactions (Enter)

Use this display to accept or reject the entire contents of a location. All orders received into the location are updated.

This display appears when you leave the **ORDER NO** field blank on display AMIQH1, and multiple orders are received into a location.

```

DATE **/**/**          QUALITY CONTROL TRANSACTIONS   ENTER   AMIQH2  **
ITEM                   WHS  LOCATION  BATCH/LOT   FIFO DATE
*****                ***  *      *      *      *      **/**/**

ENTER OPTION <1/2>:   n

                        1 - APPROVE ENTIRE LOCATION QUANTITY
                        2 - REJECT ENTIRE LOCATION QUANTITY

                        REFERENCE   REASON
                        aaaaaaA10  aaaaA6

COMMENT
aaaaaaaaaaaaaaaaaaaaaaaaaaaaaaaaaaaaaaaaaaaaaaaaaaaaaaaaaaaaaaaaaaaaaaaaA80

F19 RETURN TO SELECT
F24 DISPLAY STATUS
    
```

What to do

To approve or reject the contents of a location, type in the requested information and press **Enter**. The transactions processed on the Quality Control Transactions report (AMIQH) print, and the Quality Control Transaction (Enter) display (AMIQH2) appears.

Function keys

F19 RETURN TO SELECT causes the Quality Control Transactions (Select) display (AMIQH1) to appear and no update to occur.

F24 DISPLAY STATUS causes the Quality Control Transactions (Status) display (AMIQH6) to appear.

Fields

The data in the fields on the first line of this display was entered using the Quality Control Transactions (Select) display (AMIQH1). These fields are informational only.

Refer to “AMIQH1—Quality Control Transactions (Select)” for an explanation of these fields.

Contents	Index	Exit
--------------------------	-----------------------	----------------------

LOCATION QUANTITY. The quantity of the item in this location. This information is from the Location Quantity file.

Enter OPTION <1/2>.

- 1** Approve entire location quantity. Select this option to approve the entire contents of the location. An MQ transaction is created for manufactured items QC complete. A PQ transaction is created for purchased items QC complete.
- 2** Reject entire location quantity. Select this option to reject the entire contents of the location. An RQ transaction is created for QC items rejected.

REFERENCE (Reference Number). Type in a user-defined code associated with this transaction.

REASON. Type in a user-defined code explaining the reason for this transaction.

COMMENT. Type in additional comments associated with all PQ transactions generated. This field appears only if Purchasing is installed. The comment prints on the Quality Control Transaction Register (AMIQH), and will be added to the Purchase Order Detail file as a T type comment when your files are updated. If you have entered a blanket release number for this transaction, the comment will become a release comment for that specific release. Comments typed in for MQ transactions are not saved.

Contents	Index	Exit
--------------------------	-----------------------	----------------------

AMIQH3—Quality Control Transactions (Enter)

Use this display to approve or reject part or all the location quantity and scrap any stock that is being rejected. This display also allows you to transfer items that have been approved or rejected to another location.

This display appears when you leave the **ORDER NO** field blank on display AMIQH1, and either the stock was placed in this location without an order number, or the shelf life of the stock has expired.

DATE **/**/**	QUALITY CONTROL TRANSACTIONS				ENTER	AMIQH3 **
ITEM	WHS	LOCATION	BATCH/LOT	FIFO DATE		
*****	***	*****	*****	**/**/**		
LOCATION QUANTITY	*,***,***.***					
				TRANSFER TO		
APPROVED QUANTITY	nnnnnnn.nnn	WHS	LOCATION	aA3	aaaaaA7	
AMOUNT	nnnnnnnnnn.nnnn					
REJECTED QUANTITY	nnnnnnn.nnn	aA3	aaaaaA7	SCRAPPED	nnnnnnn.nnn	
REFERENCE	REASON					
aaaaaaaA10	aaaaA6					
				F19 RETURN TO SELECT		
				F24 DISPLAY STATUS		

What to do

To approve or reject part or all the location quantity, type in the requested information and press **Enter**. The transactions processed on the Quality Control Transactions report (AMIQH) print and the Quality Control Transaction (Enter) display (AMIQH1) appears. If some part of the location quantity is unapproved, the quantity being approved and/or rejected must be transferred to another location.

Function keys

F19 RETURN TO SELECT causes the Quality Control Transactions (Select) display (AMIQH1) to appear and no update to occur.

F24 DISPLAY STATUS causes the Quality Control Transactions (Status) display (AMIQH6) to appear.

Fields

[?] appears next to a field name in the following field definitions to identify a field from which you can begin a master file search.

Contents	Index	Exit
--------------------------	-----------------------	----------------------

The data in the fields on the first line of this display was entered using the Quality Control Transactions (Select) display (AMIQH1). These fields are informational only.

Refer to "AMIQH1—Quality Control Transactions (Select)" for an explanation of these fields.

LOCATION QUANTITY. The quantity of the item in this location. This information is from the Location Quantity file.

APPROVED QUANTITY. Type in the quantity of the item being approved. This field is required if the **REJECTED QUANTITY** field is blank. This field must have the same sign (+ or -) as the **LOCATION QUANTITY** field value.

An MQ transaction is created for manufactured items QC complete. A PQ transaction is created for purchased items QC complete. A CQ transaction is created for cyclic items QC complete.

AMOUNT. Type in the amount related to the quantity of this transaction. This amount must have the same sign (+ or -) as the **QUANTITY** field value.

TRANSFER TO. Interwarehouse Transfer (TW), Interwarehouse Issue (IW), and Interwarehouse Receipt (RW) transactions are created for items transferred.

WHS. Type in the code for the warehouse to which approved stock is transferred. Leave this field blank if this is a transfer within the same warehouse.

LOCATION [?]. Type in the code for the location to which the approved stock is transferred. If your system is set up to use a default location and the location where stock is approved is different from the stocking location (WHSLC from the Item Balance file), the stocking location is shown in LOCATION and the warehouse is shown in WHS. You can change the default by typing another location.

REJECTED QUANTITY. Type in the quantity of the item being rejected. This field is required if the **APPROVED QUANTITY** field is blank. This field must have the same sign (+ or -) as the **LOCATION QUANTITY** field value. An RQ transaction is created for quality control items that are rejected.

TRANSFER TO. Interwarehouse Transfer (TW), Interwarehouse Issue (IW), and Interwarehouse Receipt (RW) transactions are created for items transferred.

WHS. Type in the code for the warehouse to which rejected stock is transferred. Leave this field blank if this is a transfer within the same warehouse.

LOCATION [?]. Type in the code for the location to which rejected stock is transferred.

SCRAPPED. Type in the quantity of the item being scrapped. The quantity scrapped must be less than or equal to the quantity rejected. This field must have the same sign (+ or -) as the **LOCATION QUANTITY** field. A Scrap From Stock (SS) transaction is created.

REFERENCE (Reference Number). Type in a user-defined code to be associated with this transaction.

REASON. Type in a user-defined code that indicates the reason for this transaction.

Contents	Index	Exit
--------------------------	-----------------------	----------------------

AMIQH4—Quality Control Transactions (Enter)

Use this display to approve or reject all or part of a quantity at its location. You can also use this display to transfer those items you have approved or rejected to another location.

You can also scrap all or part of the rejected quantity from a manufacturing order. The application scraps the rejected quantity from its related purchase order, and then creates an SS (scrap from stock) and an SP (purchase order scrap) transaction.

This display appears when you do one of the following:

- Enter a manufacturing order number on display AMIQH1.
- Enter a purchase order number on display AMIQH1, and Purchasing is not installed.
- Leave the **ORDER NO** field blank on display AMIQH1, and there is only one manufacturing order associated with the quantity to be inspected.
- Leave the **ORDER NO** field blank on display AMIQH1 when there is only one purchase order associated with the quantity to be inspected, and Purchasing is not installed.

```

DATE **/**/**          QUALITY CONTROL TRANSACTIONS      ENTER    AMIQH4  **
ITEM                   WHS  LOCATION  BATCH/LOT    FIFO DATE  ORDER NO  BLK  CMP CD
*****                ***  *      *      *      *      *      *      *
RECEIPTS QUANTITY    *,***,***.***
                                TRANSFER TO
APPROVED QUANTITY    nnnnnn.nnn  WHS  LOCATION
AMOUNT              nnnnnnnnnn.nnnn  aA3  aaaaaA7
REJECTED QUANTITY    nnnnnnnnnn  aA3  aaaaaA7  SCRAPPED  nnnnnnn.nnn
REFERENCE  REASON  GRN                                GRN INV <Y/N>
aaaaaaaA10  aaaaA6  aaaaaaaaaaaaaaaaaaaaaA26                                A

                                F19 RETURN TO SELECT
                                F24 DISPLAY STATUS
    
```

What to do

To approve or reject all or part of a quantity at a location, type in the requested information and press **Enter**. The transactions processed on the Quality Control Transactions report (AMIQH) print, and the Quality Control Transaction (Enter) display (AMIQH1) appears. If some part of the receipts quantity is unapproved, the quantity being approved and/or rejected must be transferred to another location.

Function keys

F19 RETURN TO SELECT causes the Quality Control Transactions (Select) display (AMIQH1) to appear and no update to occur.

F24 DISPLAY STATUS causes the Quality Control Transactions (Status) display (AMIQH6) to appear.

Fields

[?] appears next to a field name in the following field definitions to identify a field from which you can begin a master file search.

The data in the fields on the first line of this display were entered using the Quality Control Transactions (Select) display (AMIQH1). These fields are informational only. Refer to "AMIQH1—Quality Control Transactions (Select)" for an explanation of these fields.

RECEIPTS QUANTITY. The quantity of the item received to inspection. This information is from the Receipts to Inspection file.

APPROVED QUANTITY. Type in the quantity of the item being approved. This field is required if the **REJECTED QUANTITY** field is blank. This quantity must have the same sign (+ or -) as the **RECEIPTS QUANTITY** field value. An MQ transaction is created for manufactured items QC complete. A PQ transaction is created for purchased items QC complete.

AMOUNT. Type in the amount of this transaction relative to the quantity above. This amount must have the same sign (+ or -) as the receipts quantity.

TRANSFER TO. Type in the location to which the approved quantity is to be sent. Interwarehouse transfer (TW), interwarehouse issue (IW), and interwarehouse receipt (RW) transactions are created for items transferred.

WHS. Type in the code for the warehouse to which the approved stock is transferred.

LOCATION [?]. Type in the code for the location to which the approved stock is transferred.

Note: If your system is set up to use a default location and the location where stock is approved is different from the stocking location (WHS LC from the Item Balance file), the stocking location is shown in **LOCATION** and the warehouse is shown in **WHS**. You can change the default by typing another location.

REJECTED QUANTITY. Type in the quantity of the item being rejected. This field is required if the **APPROVED QUANTITY** field is blank. This field must have the same sign (+ or -) as the **RECEIPTS QUANTITY** field value. An RQ transaction is created for quality control items rejected.

If a purchase order is associated with this transaction, the application automatically scraps the total quantity rejected and creates a Scrap From Stock (SS) transaction and a Purchase Order Scrap (SP) transaction.

Contents	Index	Exit
--------------------------	-----------------------	----------------------

TRANSFER TO. Type in the location to which the rejected quantity is sent. Interwarehouse Transfer (TW), Interwarehouse Issue (IW), and Interwarehouse Receipt (RW) transactions are created for items transferred.

WHS. Type in the code for the warehouse to which the rejected stock is transferred. This field is not shown if a purchase order is associated with this transaction.

LOCATION [?]. Type in the code for the location to which the rejected stock is transferred. This field is not shown if a purchase order is associated with this transaction.

SCRAPPED. Type in the quantity of the item being scrapped. This field is not shown if a purchase order is associated with this transaction. The quantity scrapped must be less than or equal to the quantity rejected. This field must have the same sign (+ or -) as the **RECEIPTS QUANTITY** field value. A Scrap From Stock (SS) transaction is created for items scrapped from stock.

REFERENCE (Reference Number). Type in a user-defined code associated with this transaction.

REASON. Type in a user-defined code that indicates the reason for this transaction.

GRN (Goods Received Note). This field appears if the GRN option was selected during application tailoring or if IFM is installed and interfacing. Type in the number of the goods received note that corresponds to a receipt. This field is user-defined and can represent a receiving ticket, a bill of lading, or an IFM invoice number. The GRN is used by the accounts payable department to check that invoiced items were actually received.

GRN INV (Goods Received Notes Invoice) <Y/N>. This field appears only if IFM is installed and interfacing. Type in one of the following to describe the use of the **GRN** field:

Y GRN is an IFM invoice number
N GRN is being used to match another document, such as a bill of lading
blank GRN number is not being used. This is the default.

Contents	Index	Exit
--------------------------	-----------------------	----------------------

AMIQH5—Quality Control Transactions (Enter)

Use this display to approve or reject all or part of the location quantity and transfer approved items to another location. This display also allows you to return all or part of the rejected quantity. The application automatically scraps all the stock that is rejected, but not returned, and creates a Scrap From Stock (SS) transaction and a Purchase Order Scrap (SP) transaction.

This display appears when you do one of the following:

- Enter a purchase order number on the Quality Control Transactions (Select) display (AMIQH1) and Purchasing is installed.
- Leave the **ORDER NO** field blank on display AMIQH1, when there is only one purchase order associated with the quantity to be inspected, and Purchasing is installed.
- Enter a quality control operation sequence on the Inventory Transaction Purchase Order Update Routings (Enter) display (AMI3D33E).
- Request information on display AMIQI1 or AMIQI2, when there is only one purchase order associated with the quantity to be inspected, and Purchasing is installed.

```

DATE **/**/**          QUALITY CONTROL TRANSACTIONS      ENTER      AMIQH5  **
ITEM                   WHS  LOCATION  BATCH/LOT  FIFO DATE  ORDER NO  BLK  CMP CD
*****                ***  *      *      *      **/**/**  *      *      *
RECEIPTS QUANTITY    *,***,***.***          OPSEQ      ****
                        TRANSFER TO          HOURS     ****,**
                        WHS  LOCATION
APPROVED QUANTITY    nnnnnn.nnn  aA3  aaaaaA7
      AMOUNT    nnnnnnnnnn.nnnn
REJECTED QUANTITY    nnnnnn.nnn          RETURNED  nnnnnn.nnn
REFERENCE  REASON  GRN          RESUPPLY <Y/N>  A
aaaaaaaA10  aaaaA6  aaaaaaaaaaaaaaaaaaaaaA26      GRN INV <Y/N>
                                                A
COMMENT
aaaaaaaaaaaaaaaaaaaaaaaaaaaaaaaaaaaaaaaaaaaaaaaaaaaaaaaaaaaaaaaaA80

F19 RETURN TO SELECT
F24 DISPLAY STATUS
    
```

What to do

To accept or reject quantities, type in the requested information and press **Enter**. The transactions processed on the Quality Control Transactions report (AMIQH) print.

- If you reached this display from the Quality Control Transaction (Enter) display (AMIQH1), AMIQH1 appears again when you press **Enter**.
- If you reached this display from the Inventory Transaction Purchase Order Update Routings (Enter) display (AMI3D33E), AMI3D33E appears again when you press **Enter**.

Contents	Index	Exit
--------------------------	-----------------------	----------------------

If some part of the **RECEIPTS QUANTITY** field is unapproved, the quantity being approved and/or rejected must be transferred to another location.

Function keys

F19 RETURN TO SELECT causes the Quality Control Transactions (Select) display (AMIQH1) to appear, and no update to occur.

F24 DISPLAY STATUS causes the Quality Control Transactions (Status) display (AMIQH6) to appear.

Fields

[?] appears next to a field name in the following field definitions to identify a field from which you can begin a master file search.

The data in the fields on the first line of this display was entered using the Quality Control Transactions (Select) display (AMIQH1). These fields are informational only. Refer to "AMIQH1—Quality Control Transactions (Select)" for an explanation of these fields.

RECEIPTS QUANTITY. The quantity of the item received to inspection. This information is from the Receipts-to-Inspection file.

OPSEQ. The sequence number of the operation. This field appears only if you reached this display from the Inventory Transaction Purchase Order Update Routings (Enter) display (AMI3D33E).

HOURS. The number of hours required to complete this operation. This field appears only if you reached this display from the Inventory Transaction Purchase Order Update Routings (Enter) display (AMI3D33E).

APPROVED QUANTITY. Type in the quantity of the item being approved. This field is required if the **REJECTED QUANTITY** field is blank. It must have the same sign (+ or -) as the **RECEIPTS QUANTITY** field value. A PQ transaction is created for purchased items QC complete.

AMOUNT. Type in the amount of this transaction. This field must have the same sign (+ or -) as the **RECEIPTS QUANTITY** field value.

TRANSFER TO. Interwarehouse Transfer (TW), Interwarehouse Issue (IW), and Interwarehouse Receipt (RW) transactions are created for items transferred.

WHS. Type in the code for the warehouse to which the approved stock is transferred.

LOCATION [?]. Type in the code for the location to which the approved stock is transferred.

Note: If your system is set up to use a default location and the location where stock is approved is different from the stocking location (WHS LC from the Item Balance file), the stocking location is shown in **LOCATION** and the warehouse is shown in **WHS**. You can change the default by typing another location.

REJECTED QUANTITY. Type in the quantity of the item being rejected. This field is required if the **APPROVED QUANTITY** field is blank. It must have the same sign (+

Contents	Index	Exit
--------------------------	-----------------------	----------------------

or -) as the **RECEIPTS QUANTITY** field value. An RQ transaction is created for quality control items rejected.

RETURNED. Type in the quantity of the item being returned. The returned quantity cannot be greater than the rejected quantity. The application automatically scraps the difference between the rejected quantity and the returned quantity, creating a Scrap From Stock (SS) transaction and a Purchase Order Scrap (SP) transaction. This field must have the same sign (+ or -) as the **RECEIPTS QUANTITY** field. A VR transaction is created for purchased items returned to the vendor.

RESUPPLY <Y/N>. Type in one of the following codes:

- Y** Yes. The vendor is requested to resupply the quantity being returned.
- N** No. The vendor is not requested to resupply the quantity being returned. This is the default.

REFERENCE (Reference Number). Type in a user-defined code to be associated with this transaction.

REASON. Type in a user-defined code that indicates the reason for this transaction.

GRN (Goods Received Note). This field appears if the GRN option was selected during application tailoring or if IFM is installed and interfacing. Type in the number of the goods received note that corresponds to a receipt. This field is user-defined and can represent a receiving ticket, a bill of lading, or an IFM invoice number. The GRN is used by the accounts payable department to check that invoiced items were actually received.

GRN INV (Goods Received Notes Invoice) <Y/N>. This field appears only if IFM is installed and interfacing. Type in one of the following to describe the use of the **GRN** field:

- Y** GRN is an invoice number
- N** GRN is being used to match another document, such as a bill of lading
- blank** This is the default.

COMMENT. Type in additional comments associated with this transaction. The comment prints on the Quality Control Transaction Register (AMIQH) and added to the Purchase Order Detail file as a T type comment when your files are updated. If you have entered a blanket release number for this transaction, the comment becomes a release comment for that specific release.

[Contents](#)[Index](#)[Exit](#)

AMIQH6—Quality Control Transactions (Status)

Use this display to end the job. You can also use this display to review the number of records added, changed, and reactivated in the Transaction History and Location Quantity files.

This display appears when you select **F24** from the Quality Control Transactions (Select) display (AMIQH1) or any of the Quality Control Transactions (Entry) displays (AMIQH2, AMIQH3, AMIQH4, AMIQH5).

DATE **/**/**	QUALITY CONTROL TRANSACTIONS	STATUS	AMIQH6 **
	SESSION STATUS	LOCATION QUANTITY FILE	TRANSACTION HISTORY FILE
	RECORDS ADDED	* , * * * , * * *	* , * * * , * * *
	RECORDS CHANGED	* , * * * , * * *	* , * * * , * * *
F24 END OF JOB			

What to do

- To end the session, press **F24**. The Transaction Processing menu (AMIM30) appears.
- To continue entering transactions, press **Enter**. Go to display AMIQH1.

Function keys

F24 END OF JOB causes the Transaction Processing menu (AMIM30) to appear.

Fields

RECORDS ADDED. The number of records added to each file during this session.

RECORDS CHANGED. The number of records changed or reactivated in each file during this session.

[Contents](#)[Index](#)[Exit](#)

AMIQI1—Receipts Waiting Inspection (Select)

Use this display to search the information shown for the field you questioned on the Quality Control Transactions (Select) display (AMIQH1).

This display appears when you enter a [?] in the **LOCATION** field on display AMIQH1.

DATE	11/13/91	RECEIPTS WAITING INSPECTION	SELECT	AMIQI1 **	
ITEM	EGG	WHS	ATL	ORDER P000002	
REF	LOCATION	BATCH LOT	DATE	BLK	QUANTITY
1	AA06	F	11/13/**		4.000
2	BC01	E	11/13/**		5.000
3	AC23	A	11/13/**		22.000

To select enter reference number:

USE ROLL UP/DOWN
F24 RETURN

What to do

To do a location search, type in the reference number and press **Enter**. Depending on the location selected, display AMIQH4 or AMIQH5 appears with the information for the location.

Function keys

USE ROLL UP/DOWN allows you to scroll forward or backward.

F24 RETURN returns you to AMIQH1 with no selection.

Fields

ITEM. The specific item from the purchase order you are searching.

WHS. The warehouse where the location is defined.

ORDER. The number of the purchase order you are searching.

REF. The reference number you enter in to select enter reference number field.

LOCATION. The different warehouse locations in which the specified item from the specified purchase order is located.

Contents	Index	Exit
--------------------------	-----------------------	----------------------

BATCH LOT. The batch or lot number assigned to the material in the location.

DATE. The FIFO date.

BLK. The blanket release number on a purchase order if it applies.

QUANTITY. The number of items in each warehouse location.

To select enter reference number. Type in a reference number from the **REF** field to display the information for the location you requested.

[Contents](#)[Index](#)[Exit](#)

AMIQ12—Receipts Waiting Inspection (Select)

Use this display to search the information shown for the field you questioned on the Quality Control Transactions (Select) display (AMIQH1).

This display appears when you enter a ? in the **ORDER NO** field on display AMIQH1.

DATE	11/13/91	RECEIPTS WAITING INSPECTION	SELECT	AMIQ12 **	
ITEM	EGG	WHS	ATL	LOCATION AA0211	
REF	ORDER NO	BATCH LOT	DATE	BLK	QUANTITY
1	P000001	A	11/13/**		1.000
2	P000002	E	11/13/**		5.000
3	P000003	A	11/13/**		22.000

To select enter reference number:

USE ROLL UP/DOWN
F24 RETURN

What to do

To do an order number search, type in the reference number and press **Enter**. Depending on the order selected, display AMIQH4 or AMIQH5 appears with the information for the order.

Function keys

USE ROLL UP/DOWN allows you to scroll forward or backward.

F24 RETURN returns you to AMIQH1 with no selection.

Fields

ITEM. The specific item from the purchase order you are searching.

WHS. The warehouse where the location is defined.

LOCATION. The number of the warehouse location you are searching.

REF. The reference number you enter in to select enter reference number field.

ORDER NO. The different purchase order numbers received to the warehouse location you are searching.

Contents	Index	Exit
--------------------------	-----------------------	----------------------

BATCH LOT. The batch or lot number assigned to the material in the location.

DATE. The FIFO date.

BLK. The blanket release number on a purchase order if it applies.

QUANTITY. The number of items from each purchase order received to the warehouse location.

To select enter reference number. Type in a reference number from the **REF** field to display the information for the purchase order number you requested.

Contents	Index	Exit
--------------------------	-----------------------	----------------------

Option 5. Discrete Allocation Worksheet Generation (AMIM30)

Use this option when you want to schedule the discrete allocation worksheets for printing.

What information you need: None.

What reports are printed: One or both of the following reports are printed depending on the option you select on the Discrete Allocation Worksheet (Select) display (AMINI1):

- Discrete Allocation Worksheet by Item - Batch/Lot (AMINK)
- Discrete Allocation Worksheet by Item - FIFO Date (AMINL).

What forms you need: None.

The basic steps to print a discrete allocation worksheet report follow each display.

[Contents](#)[Index](#)[Exit](#)

AMINI1—Discrete Allocation Worksheet (Select)

Use this display to generate the discrete allocation reports:

- Discrete Allocation Worksheet by Item – Batch/Lot (AMINK)
- Discrete Allocation Worksheet by Item – FIFO Date (AMINL).

These reports can be used as worksheets to determine whether enough approved material is available to allocate to an order. Only items that discrete allocations are allowed for are included on the reports. Location quantities that are waiting for inspection, have been rejected, or have negative balances are not included on the reports.

If there is insufficient material, the QC department may need to expedite some inspections so that the material becomes available for use. When this is done, you must run this option again, using the updated files, before you begin your discrete allocation process.

Do not confuse the discrete allocation function with the manufacturing allocated quantity function that takes place during the Order Release procedure.

Order Release allocates the total required quantity of a material to a manufacturing order. The discrete allocation function lets you go one step further by specifying the locations or batch/lots from which the total required material is to be picked.

This display appears when you select option 5 from the Transaction Processing menu (AMIM30).

```

DATE **/**/**          DISCRETE ALLOCATION WORKSHEET  SELECT  AMINI1  **

      OPTION n          QUANTITY SEQUENCE n

      1 ITEM - BATCH/LOT          1 ASCENDING
      2 ITEM - FIFO DATE          2 DESCENDING
      3 BOTH REPORTS

ITEM      FROM aaaaaaaaaaA15  TO aaaaaaaaaaA15
BATCH/LOT FROM aaaaaaaA10    TO aaaaaaaA10
FIFO DATE FROM nnnnnn        TO nnnnnn

                                         F24 CANCEL JOB
  
```

What to do

To print the worksheet, select the option for the type of report you want and press **Enter**. The report(s) print, and the Transaction Processing menu (AMIM30) appears.

Contents	Index	Exit
--------------------------	-----------------------	----------------------

Function keys

F24 CANCEL JOB causes any data you typed in to be ignored, and no report to be printed. The Transaction Processing menu (AMIM30) appears.

Fields

OPTION. Required. Type in one of the following option numbers:

- 1 Item - batch/lot. Print the Discrete Allocation Worksheet by Item – Batch/Lot (AMINK).
- 2 Item - FIFO date. Print the Discrete Allocation Worksheet by Item – FIFO Date (AMINL). This option appears only if FIFO control is active.
- 3 Both reports. Print both reports. This option appears only if FIFO control is active.

QUANTITY SEQUENCE. Type in one of the following quantity sequence numbers:

- 0 or blank** Quantity sequence is not assigned to the report. Blank is the default value.
- 1 Ascending. Print the report sorted by quantities on hand in ascending order within batch/lot or FIFO date order.
 - 2 Descending. Print the report sorted by quantities on hand in descending order within batch/lot or FIFO date order.

The following range fields are used to limit the report(s).

ITEM FROM/TO. Type in the range of item numbers to be used on the report.

BATCH/LOT FROM/TO. Type in the range of batch/lot numbers to be used on the report.

FIFO DATE FROM/TO. Type in the range of FIFO dates to be used on the report. This field appears only if FIFO control is active.

If the **TO** field on any of the above ranges is blank, all values starting with the **FROM** field number to the last number in the file are used on the report.

If the **FROM** field on any of the above ranges is blank, all values starting with the first number in the file up to and including the **TO** field number are used on the report.

If both fields in a range are blank, all values are used on the report.

Contents	Index	Exit
--------------------------	-----------------------	----------------------

Option 6. Discrete Allocation (AMIM30)

Use this option when you want to allocate items for customer or manufacturing orders from a specified location or batch/lot. You can allocate a specific item to all orders where it is required, or you can allocate items for:

- Manufacturing orders falling within a scheduled start date range
- Manufacturing order

What information you need: None.

What reports are printed: Discrete Allocation (AMING).

What forms you need: None.

The basic steps to print a Discrete Allocation report follow each display.

[Contents](#)[Index](#)[Exit](#)

AMING0—Discrete Allocation (Select)

Use this display to select manufacturing orders for allocation. You can also use this display to select allocations by date, order, or item.

Before proceeding with discrete allocations, you may choose to initiate the process by selecting option 5 from the Transaction Processing menu (AMIM30) to print a Discrete Allocation Worksheet.

This display appears when you select option 6 from the Transaction Processing menu (AMIM30).

```

AMING0                Discrete Allocation                SELECT
Type information; press Enter.
Option . . . . . n
                    1=By Schedule Start Date . . . nnnn to nnnn
                    2=By Order number . . . . . aaaaaA7
                    3=By Item number . . . . . aaaaaaaaaA15
                      warehouse . . . . . aA3

Sequence . . . . . n
                    1=FIFO Date
                    2=Batch/Lot

F3=Exit   F5=Refresh   F11=Job status   F17=Session default
  
```

What to do

To select manufacturing orders for allocation, select an option, type in the information you need, and press **Enter**.

- If you type **1** in the **Option** field and enter a date range, the Manufacturing Discrete Allocation by Date Option (Select) display (AMING1) appears.
- If you type **2** in the **Option** field and an order number, the Component Item Allocation (Select) display (AMING2) appears.
- If you type **3** in the **Option** field and type in an item and warehouse number, the Discrete Allocation by Item Option (Select) display (AMING3) appears.

You can use **F5** to refresh the display, **F11** to see the session status, or **F17** to change the session defaults.

Function keys

F03=Exit menu AMIM30 appears again.

F05=Refresh refreshes the display and clears all options. The **Sequence** option returns to 1.

Contents	Index	Exit
--------------------------	-----------------------	----------------------

F11=Job Status shows you the session status.

F17=Session default causes the Change Session Default window to appear.

Fields

Option. Type in one of the following codes:

- 1** **By Schedule Start Date.** Process allocations for manufacturing orders with scheduled start dates falling within a specified range. Type in the range of start dates for the orders you are processing allocations against.
- 2** **By Order number.** Allocate items for a specific manufacturing order. Type in the number of the manufacturing order for which you are allocating items.
- 3** **By Item number and warehouse.** Allocate a specific item to all orders where it is required. Type in the number of the item you are allocating.

Warehouse. This field is required if you typed 3 in the **Option** field. If you have multiple warehouses defined in the Warehouse Master file, type in the code of the warehouse from which the item is being allocated. If you have only one warehouse, the warehouse defined in the Warehouse Master file appears in this field and cannot be changed.

You can select option 2 (**By Order number**) to process allocations or de-allocations for a manufacturing order after its shop packet has been printed, or after material activity has started. These orders will not appear when you select option 1 (Date) or option 3 (Item).

Sequence. Type in one of the following codes:

- 1** FIFO Date (default). List locations on the item allocation (allocate or de-allocate) displays (AMING4 or AMING5) by ascending FIFO dates.
- 2** Batch/Lot. List locations on the item allocation (allocate or de-allocate) displays (AMING4 or AMING5) by ascending batch/lot numbers.

[Contents](#)[Index](#)[Exit](#)

Change Session Defaults

Use this window to change the session defaults related to the allocation process.

This window appears when you use **F17**

```

AMINGO                               Discrete Allocation                               SELECT
Type information; press Enter.
Option . . . . . Include all components not
                                batch/lot controlled . . . . . 1
                                Include orders with status greater
                                than 10 but less than 55 . . . . . 0
Sequence . . . . . Include all warehouses for component
                                in the location master file . . . . . 0
                                Include orders that have had
                                shop packet printed . . . . . 0
                                Include uncontrolled
                                floor stock components. . . . . 0
                                (0=No
                                1=Yes)
F3=Exit   F5=Refresh   F12=Return
  
```

from the Discrete Allocation (Select) display (AMINGO).

What to do

- To include all components not batch/lot controlled, accept the default of **1**; otherwise, type in **0**.
- To exclude orders with status greater than 10 but less than 55, accept the default of **0**; otherwise, type in **1**.
- To exclude all warehouses for a component in the location master file, accept the default of **0**; otherwise, type in **1**.
- To exclude orders that have had their shop packets printed, accept the default of **0**; otherwise, type in **1**.
- To exclude uncontrolled floor stock components, accept the default of **0**; otherwise, type in **1**.

Function keys

F12=Return returns to you display AMINGO.

Fields

Include all components not batch/lot controlled. Type in one of these codes:

- 0** Do not include all items not batch/lot controlled.
- 1** (Default) Include all items not batch/lot controlled.

Contents	Index	Exit
-----------------	--------------	-------------

Include orders with status greater than 10 but less than 55. Type in one of these codes:

- 0** (Default) Do not include orders with status greater than 10 but less than 55.
- 1** Include all orders with status greater than 10 but less than 55.

Include all warehouses for component in the location master file. Type in one of these codes:

- 0** (Default) Do not include all warehouses for the component that exist in the location file. Include only the warehouse of the component that is the same as the warehouse in the MODATA file.
- 1** Include all items not batch/lot controlled.

Include orders that have had shop packet printed. Type in one of these codes:

- 0** (Default) Do not include orders that have already had a shop packet printed.
- 1** Include all orders that already have shop packet printed.

Include uncontrolled floor stock components. Type in one of these codes:

- 0** (Default) Do not include uncontrolled floor stock items.
- 1** Include uncontrolled floor stock items.

AMING1—Manufacturing Discrete Allocation—By Date Option

Use this display to select manufacturing orders for allocation. It lists all orders with starting dates within the range you entered. The orders are listed in ascending sequence by date.

This display appears when you select option 1 from the Discrete Allocation select display (AMING0).

Opt	Order	End item	Description	Scheduled Start Date	Order Quantity
n	*****	*****	*****	**/**/**	** ***
n	*****	*****	*****	**/**/**	** ***
n	*****	*****	*****	**/**/**	** ***
n	*****	*****	*****	**/**/**	** ***
n	*****	*****	*****	**/**/**	** ***
n	*****	*****	*****	**/**/**	** ***
n	*****	*****	*****	**/**/**	** ***
n	*****	*****	*****	**/**/**	** ***
n	*****	*****	*****	**/**/**	** ***
n	*****	*****	*****	**/**/**	** ***
n	*****	*****	*****	**/**/**	** ***
n	*****	*****	*****	**/**/**	** ***

F03=Exit F05=Refresh F11=Job status F12=Return

What to do

- Type **1** in the **Opt** field and press **Enter** to see the components of the order. The Component Item Allocation display (AMING2) appears.
- Type **9** in the **Opt** field and press **Enter**. Allocations for the order are removed.

Function keys

F03=Exit returns to menu AMIM30.

F05=Refresh shows the display again and clears all options.

F11=Job Status shows you the session status.

F12=Return shows you display AMING0.

Fields

Position to scheduled start date. Type in the start date that you want to appear as the first start date on the display.

Opt. Type in one of the following codes:

- 1** Select. Display AMING2 appears so you can allocate item components for the order.

Contents	Index	Exit
--------------------------	-----------------------	----------------------

- 9** Deallocate order. All allocations for the order are removed. Display AMING1 appears again.

Order. The manufacturing order available for allocation.

End item. The number of the manufactured item.

Description. The description of the end item.

Scheduled Start Date. The date the manufacturing process is scheduled to begin.

Order Quantity. The quantity of the item required to fill the order. If order activity has started, this is the unissued quantity for the component

AMING2—Component Item Allocation

Use this display to choose which component you want to allocate or deallocate. Components that have been fully issued during manufacturing order release, material detail maintenance, or transaction processing do not appear.

This display appears when you enter **1** in the **Opt** field on the Manufacturing Discrete Allocation display (AMING1) or when you enter **2** in the **Option** field on the Discrete Allocation Select display (AMING0).

```

AMING2                               Component Item Allocation           SELECT
Order . . . . . : *****
End Item . . . . : *****
Position to component . . . nnnnnnnnnnnnnnn

Type option; press Enter.
1=Select  3=Allocations  4=Deallocate component

Opt  Component      Whs  User  Required  Required  Allocated
A    *****      ***  *****  **/**/**  **.*****  **.*****
A    *****      ***  *****  **/**/**  **.*****  **.*****
A    *****      ***  *****  **/**/**  **.*****  **.*****
A    *****      ***  *****  **/**/**  **.*****  **.*****
A    *****      ***  *****  **/**/**  **.*****  **.*****
A    *****      ***  *****  **/**/**  **.*****  **.*****
A    *****      ***  *****  **/**/**  **.*****  **.*****
A    *****      ***  *****  **/**/**  **.*****  **.*****
A    *****      ***  *****  **/**/**  **.*****  **.*****
More...
F03=Exit      F05=Refresh  F11=Job status  F12=Return  F14=Select all
    
```

What to do

- Type **1** in an **Opt** field and press **Enter**. The Item Allocation to Approved Locations display (AMING4) appears so you can allocate the selected order/item.
- Type **3** in an **Opt** field and press **Enter**. The Maintain Allocations for an Item display (AMING5) appears so you can maintain the allocations for the selected order/item.
- Type **4** in an **Opt** field and press **Enter**. All allocations for the order/item are removed.

Function keys

F03=Exit returns you to menu AMIM30 if you selected this display from the Discrete Allocation display (AMING0). Otherwise, the Manufacturing Discrete Allocation display (AMING1) appears.

F05=Refresh refreshes the screen and clears all options.

F11=Job Status shows you the session status.

F12=Return returns you to the display from which you came.

Contents	Index	Exit
--------------------------	-----------------------	----------------------

F14=Select All sets the options to 1 for all components that appear on this display.

Fields

Order. The manufacturing order selected for allocation.

End Item. The number of the manufactured item.

Position to component. Type in the component that you want to appear as the first component on the display.

Opt. Type in one of the following codes:

- 1** Select. Display AMING4 appears so you see all approved and available locations for the item, whether or not they have any allocated quantity.
- 3** Allocations. Display AMING5 appears so you can see only the locations that already have allocations for the order/item.
- 4** Deallocate component. All allocations for the order/item are removed. If no allocations are found for the selected order/item, this display appears again.

Component. The component item required to manufacture the end item.

Whs. The warehouse from which the order/item is being allocated or deallocated.

User Sequence. The user sequence number for a component item.

Required Date. The date the item is needed to fill the order.

Required Quantity. The quantity of the item required to fill the order. If order activity has started, this is the unissued quantity for the component.

Allocated Quantity. The quantity of the item already allocated for the order.

AMING3—Discrete Allocation by Item Option

Use this display to select specific orders for allocation or de-allocation for the item/warehouse selected on display AMING0.

This display appears when you enter 3 in the **Opt** field on the Discrete Allocation display (AMING0).

```

AMING3                Discrete Allocation by Item Option        SELECT
Item. . . . . *****
Warehouse . . . . . ***
Position to order . . . aaaaA6

Type option; press Enter.
1=Select   3=Allocations   4=Deallocate item

Opt  Order      Required      Required      Allocated      User
     *****   **/**/**    **/**/**     **/**/**     **/**/**
A    *****   **/**/**    **/**/**     **/**/**     *****
A    *****   **/**/**    **/**/**     **/**/**     *****
A    *****   **/**/**    **/**/**     **/**/**     *****
A    *****   **/**/**    **/**/**     **/**/**     *****
A    *****   **/**/**    **/**/**     **/**/**     *****
A    *****   **/**/**    **/**/**     **/**/**     *****
A    *****   **/**/**    **/**/**     **/**/**     *****
A    *****   **/**/**    **/**/**     **/**/**     *****
A    *****   **/**/**    **/**/**     **/**/**     *****
More...
F03=Exit      F05=Refresh   F11=Job status   F12=Return
    
```

What to do

- Type **1** in the **Opt** field and press **Enter**. The Item Allocation to Approved Location display (AMING4) appears so you can allocate items to approved locations.
- Type **3** in the **Opt** field and press **Enter**. The Maintain allocations for an item display (AMING5) appears so you can change allocations for the item.
- Type **4** in an **Opt** field and press **Enter**. All allocations for the order/item are removed.

Function keys

F03=Exit returns you to menu AMIM30.

F05=Refresh refreshes the screen and clears all options.

F11=Job Status shows you the session status.

F12=Return returns you to the Discrete Allocation display (AMING0).

Fields

Item. The item being allocated or de-allocated.

Warehouse. The warehouse from which the item is being allocated or deallocated.

Contents	Index	Exit
-----------------	--------------	-------------

Position to order. Type in the order number that you want to appear as the first order number on the display.

Opt. Type in one of the following codes:

- 1** Select. Display AMING4 appears so you see all approved locations for the item whether or not they have any allocated quantity.
- 3** Allocations. Display AMING5 appears so you can see all allocations for the order/item.
- 4** Deallocate component. All allocations for the order/item are removed. If no allocations are found for the selected order/item, this display appears again.

Order. The manufacturing order number that is being allocated or deallocated.

Required Date. The date when the item is needed to fill the corresponding order.

Required Quantity. The quantity of the item required to fill the order.

Allocated Quantity. The quantity of the item already allocated for the corresponding order.

User Sequence. The user sequence number for a component item.

AMING4—Item Allocation to Approved Locations

Use this display to allocate items for a specific warehouse, location, batch/lot, and FIFO date. The locations are sequenced by batch/lot or FIFO date depending on the code you typed in the **Sequence** field on the Discrete Allocation (Select) display (AMING0).

This display appears when you select option 1 from displays AMING2 or AMING3 and there are approved or available locations. If no selections are found, you are returned to the display from which you came.

```

AMING4                Item Allocation to Approved Locations        ALLOCATE
                        By Batch/Lot Sequence

Order . . . . . : aaaaaaA8          Quantity Required . . . : nnnnnnn.nnn
Component . . . . : aaaaaaaaaaaaA15  Quantity Allocated . . : nnnnnnn.nnn
Item sequence . . : aaaaA6

Type information; press Enter.

Whs  Location  Batch/Lot  FIFO Date  Location  Available  Allocate
***  ***      ***      **/**/**  ***      ***      ***
***  ***      ***      **/**/**  ***      ***      ***
***  ***      ***      **/**/**  ***      ***      ***
***  ***      ***      **/**/**  ***      ***      ***
***  ***      ***      **/**/**  ***      ***      ***
***  ***      ***      **/**/**  ***      ***      ***
***  ***      ***      **/**/**  ***      ***      ***
***  ***      ***      **/**/**  ***      ***      ***
***  ***      ***      **/**/**  ***      ***      ***
***  ***      ***      **/**/**  ***      ***      ***
***  ***      ***      **/**/**  ***      ***      ***
***  ***      ***      **/**/**  ***      ***      ***
***  ***      ***      **/**/**  ***      ***      ***
More...
F03=Exit          F05=Refresh  F11=Job status   F12=Return
    
```

What to do

Type in the quantity to be allocated at the location into the **Allocate Quantity** field and press **Enter**.

Function keys

F03=Exit returns you to the display from which you came.

F05=Refresh refreshes the screen and restores the previous allocate quantity.

F11=Job Status shows you the session status.

F12=Return returns you to the display from which you came.

Fields

Order. The manufacturing order for which the item is being allocated or de-allocated. If no approved stock location is found for the order, a message appears.

Component. The component item being allocated or deallocated on the order.

[Contents](#)[Index](#)[Exit](#)

Item Sequence. The user sequence number for a component item. If the item is a controlled or uncontrolled floor stock item, a message appears. If no approved stock location is found for the order, a message appears.

Quantity Required. The total quantity of the component needed on this manufacturing order.

Quantity Allocated. The total quantity of the component currently allocated for this manufacturing order. The quantity allocated will be less than or equal to the quantity required. As you make changes to the allocate quantity for multiple locations, the quantity allocated is automatically updated to be a running total of all allocations across locations.

Whs. The warehouse that the item is being allocated or de-allocated from.

Location. The location, as stored in the Location Detail file, that the item is being allocated or de-allocated from. If the location is a quality control (QC) or bulk store (ST) area, the data in this field is printed with a blank space between the QC or ST prefix and the area number.

Batch/Lot. The batch/lot of the component item in the location.

FIFO Date. The FIFO date of the component item in the location.

Location Quantity. The total quantity on hand in the location.

Available Quantity. The quantity of the item still available for allocation from the corresponding location.

Allocate Quantity. Type in the quantity you want to allocate. This field contains the actual allocated quantity at the location if any quantity is found in the Allocation Master (SLALLO) file for the location when the display first appeared. This represents the total quantity allocated at the location, not an incremental change quantity.

For example, if the allocated quantity starts out as 10 and you want to increase it by 5, type in 15 in this field. If you want to completely deallocate it, enter 0 in the allocated quantity.

If you enter a quantity greater than the location's available quantity, or if you enter a negative quantity, messages appear. If the total allocated quantity is greater than the required quantity, a message appears.

AMING5—Maintain allocations for an item

Use this display to change the allocation quantities for an item. All allocations for the order/item you selected that are found in the Allocation Master (SLALLO) file appear. It only includes locations in which allocations already exist.

This display appears when you select option 3 from displays AMING2 or AMING3 and there are allocations found for the order/items.

```

AMING5                Maintain allocations for an item                MAINTAIN
                        By Batch/Lot Sequence

Order . . . . . : aaaaaaA8      Quantity Required . . . : nnnnnnn.nnn-
Component . . . . : aaaaaaaaaaA15  Quantity Allocated . . : nnnnnnn.nnn-
Item sequence . . : aaaaA6

Type information; press Enter.

Whs  Location Batch/Lot  FIFO Date  Location  Available  Allocate
***  *      *      *      *      *      *      *      *      *      *
***  *      *      *      *      *      *      *      *      *      *
***  *      *      *      *      *      *      *      *      *      *
***  *      *      *      *      *      *      *      *      *      *
***  *      *      *      *      *      *      *      *      *      *
***  *      *      *      *      *      *      *      *      *      *
***  *      *      *      *      *      *      *      *      *      *
***  *      *      *      *      *      *      *      *      *      *
***  *      *      *      *      *      *      *      *      *      *
***  *      *      *      *      *      *      *      *      *      *
***  *      *      *      *      *      *      *      *      *      *
***  *      *      *      *      *      *      *      *      *      *
***  *      *      *      *      *      *      *      *      *      *
***  *      *      *      *      *      *      *      *      *      *
***  *      *      *      *      *      *      *      *      *      *
More...
F03=Exit      F05=Refresh  F11=Job status  F12=Return
    
```

What to do

Type in the quantity to be allocated at the locations into the **Allocate Quantity** field and press **Enter**.

Function keys

F03=Exit returns you to the display from which you came.

F05=Refresh refreshes the screen and restores the previous allocate quantity.

F11=Job Status shows you the session status.

F12=Return returns you to the display from which you came.

Fields

See “AMING4—Item Allocation to Approved Locations” for information about the fields on this display.

Contents	Index	Exit
--------------------------	-----------------------	----------------------

Option 7. Miscellaneous Item Transactions (AMIM30)

Use this option when you want to process Miscellaneous Item transactions. If Purchasing is installed and interfacing, enter a Purchase Order Receipt to Stock (RP) transaction to receive a miscellaneous item.

What information you need: None.

What reports are printed: Miscellaneous Item Transaction Register (AMINB).

What forms you need: None.

The basic steps to print a Miscellaneous Item Transaction Register follow each display.

[Contents](#)[Index](#)[Exit](#)

AMINB1—Miscellaneous Item Transactions (Enter)

Use this display to enter details for the miscellaneous item you want to move in or out of stock.

This display appears when you select option 7 from the Transaction Processing menu (AMIM30).

DATE **/**/**	MISCELLANEOUS ITEM TRANSACTIONS					ENTER	AMINB1 **
CODE A2	ITEM aaaaaaaaaaaaA15					QUANTITY nnnnnnn.nnn	
LOCATION							
WH aA3	AISLE A2	BAY A2	LEVEL A	PALLET A	SUBDIV A	REASON aaaaA6	
F24 DISPLAY STATUS							

What to do

To enter a transaction, type in the requested information and press **Enter**. The Miscellaneous Item Transactions (Enter) display (AMINB1) appears again for the next transaction.

Function keys

F24 DISPLAY STATUS causes the Miscellaneous Item (Status) display (AMINB2) to appear.

Fields

[?] appears next to a field name in the following field definitions to identify a field from which you can begin a master file search.

The **CODE**, **ITEM**, and **QUANTITY** fields are required. The **AISLE** and **BAY** fields are only required for items stored in a controlled warehouse. The remaining fields are optional.

CODE (Transaction Code). Required. Type in one of the following codes:

- MR** Miscellaneous item receipt. Move stock in.
- MI** Miscellaneous item issue. Move stock out.

Contents	Index	Exit
--------------------------	-----------------------	----------------------

ITEM [?]. Required. Type in the item being moved in or out of stock.

QUANTITY. Required. Type in the quantity to be moved in or out of stock.

LOCATION. Depending on the transaction code you entered, type in the location receiving or the location sending the stock.

WH (Warehouse Code): If you have multiple warehouses defined in the Warehouse Master file, type in the code of the warehouse where this item is stored. If you have only one warehouse, this field does not appear.

aisle: Required for items stored in a controlled warehouse. Type in the code for the row of the stock location.

BAY: Required for items stored in a controlled warehouse. Type in the code for the vertical location in the aisle.

LEVEL: Type in the code for the horizontal location in the bay.

PALLET: Type in the code for the pallet. A pallet is the lowest division in an individual bay/level combination.

SUBDIV (Subdivision): Type in the code for the subdivision. A subdivision is the lowest division in an individual pallet. There can be up to five subdivisions per pallet.

REASON. Type in a code that indicates the reason for moving this miscellaneous item.

[Contents](#)[Index](#)[Exit](#)

AMINB2—Miscellaneous Item Transactions (Status)

Use this display to review the status of the Item Balance, Location Quantity, and Transaction History files.

This display appears when you select **F24** from the Miscellaneous Item Transactions (Enter) display (AMINB1).

DATE **/**/**	MISCELLANEOUS ITEM TRANSACTIONS	STATUS	AMINB2 **
	ITEM BALANCE FILE	LOCATION QUANTITY FILE	TRANSACTION HISTORY FILE
SESSION STATUS			
RECORDS ADDED	*,***,***	*,***,***	*,***,***
RECORDS CHANGED	*,***,***	*,***,***	
RECORDS DELETED	*,***,***	*,***,***	
			F24 END OF JOB

What to do

- To end the session, press **F24**. The Transaction Processing menu (AMIM30) appears.
- To continue entering transactions, press **Enter**. The Miscellaneous Item Transactions (Enter) display (AMINB1) appears again for the next transaction.

Function keys

F24 END OF JOB schedules the Miscellaneous Item Transaction Register report (AMINB) for printing and causes the Transaction Processing menu (AMIM30) to appear.

Fields

All the fields on this display are informational only.

RECORDS ADDED. The number of records added to each file during this session.

RECORDS CHANGED. The number of records changed or reactivated in each file during this session.

RECORDS DELETED. The number of records deleted in each file during this session.

Contents	Index	Exit
--------------------------	-----------------------	----------------------

Option 8. Invoices to Goods Received Notes (AMIM30)

Use this option when you want to change invoice numbers for GRNs or delete GRNs.

This option should only be used if you are using the non-IFM GRN function and you chose GRN support during application tailoring.

If you are using IFM's invoice to receipt matching function, do not use this option. IFM does not use this file for tracking invoice matches to receipts.

What information you need: None.

What reports are printed: Invoices to Goods Received Notes (AMIGH).

What forms you need: None.

The basic steps to print an Invoices to Goods Received Notes report follow each display.

AMIGH1—Invoices to Goods Received Notes (Enter)

Use this display to change invoice numbers for Goods Received Notes (GRNs) or delete GRNs.

This display appears when you select option 8 from the Transaction Processing menu (AMIM30). You can select this option only if you chose GRN support during application tailoring.

```

DATE **/**/**          INVOICES TO GOODS RECEIVED NOTES  ENTRY  AMIGH1  **

GRN                    *****
INVOICE                *****
INVOICE DATE           *****

                        C - CHANGE
                        D - DELETE

ACTION                 A

LAST UPDATED          *****

                                                                F24 DISPLAY STATUS
    
```

What to do

To change or delete GRNs, type in the requested information and press **Enter**. The selected record is changed or deleted. The Invoice to Goods Received Notes (Enter) display (AMIGH1) appears again.

Function keys

F24 DISPLAY STATUS causes the Invoice to Goods Received Notes (Status) display (AMIGH2) to appear.

Fields

GRN (Goods Received Note Number). Required. Type in the number of the GRN to do one of the following:

- Delete the GRN.
- Change the invoice number for the GRN.

INVOICE (Invoice Number). Type in the new number to be assigned to the GRN. To delete the Goods Received Note number, leave this field blank.

Contents	Index	Exit
--------------------------	-----------------------	----------------------

INVOICE DATE. Type in the date the invoice was entered into the system or the date the invoice was assigned to the GRN. The default is the system date or the most recently entered date.

ACTION. Required. Type in a code for the type of maintenance you want to do.

C Change the invoice number on the GRN.

D Delete the GRN.

LAST UPDATED. The GRN and invoice numbers for the last record updated appear.

[Contents](#)[Index](#)[Exit](#)

AMIGH2—Invoices to Goods Received Notes (Status)

Use this display to review the status of the records you changed or deleted in the Goods Received Note file during your work session.

This display appears when you select **F24** from the Invoices to Goods Received Notes (Enter) display (AMIGH1).

```

DATE **/**/**          INVOICES TO GOODS RECEIVED NOTES  STATUS  AMIGH2  **

                                GOODS
                                RECEIVED
                                NOTES
                                FILE

SESSION STATUS

RECORDS CHANGED          *,***,***
RECORDS DELETED          *,***,***

                                F24 END OF JOB

```

What to do

- To end the session, press **F24**. The Transaction Processing menu (AMIM30) appears.
- To continue changing or deleting GRNs, press **Enter**. The Invoices to Goods Received Notes (Enter) display (AMIGH1) appears again.

Function keys

F24 END OF JOB schedules the Invoices to Goods Received Notes report (AMIGH) for printing, and causes the Transaction Processing menu (AMIM30) to appear.

Fields

All fields on this display are informational.

RECORDS CHANGED. The number of records changed during this session.

RECORDS DELETED. The number of records deleted during this session.

Option 9. Advance Shipping Notices (AMIM30)

Use this option to work with advance shipping notices (or despatch advice) received electronically from trading partners using the Electronic Commerce (EC) application, and to confirm their receipt.

You can delete, display, or print advance shipping notices. You also can work with items associated with the advance shipping notice, confirm initial receipt, and verify receipt of selected advance shipping notices.

When you confirm initial or verified receipt, the system sends ANSI X.12 861 receiving advice transactions to trading partners using EC.

If you prefer to use commands instead of selecting options, you can use the following commands to access the work with panels. Enter the command you want on the command line of any Inventory Management panel.

- Display commands. Use one of the following commands to display detail for a particular object:

DSPASN ship notice detail

- Print commands. Use one of the following commands to print detail for a particular object:

PRTASN ship notice

PRTASNITM ship notice items

- Work with commands. Use one of the following commands to work with a particular object:

WRKASN ship notice

Note: To use this option:

- EC must be installed, interfacing, and set up for either the ANSI X.12 865 (Advance Shipping Notice) or EDIFACT DESADV (Despatch Advice) transaction.
- Optionally, if you want to send receiving advices, the ANSI X.12 861 (Receiving Advice) transaction must also be set up and its EDI media flag turned on in the Purchasing Vendor Master file.

What information you need: None.

What reports are printed: Advance Shipping Notice (AMIPSNOP).

What forms you need: None.

Work With function keys

F1=Help

Shows information about this panel. Pressing **F1** or pressing the help key shows you the same information.

F3=Exit

Ignores any options or changes you typed on the current panel, ends the current task, and returns to the panel where you started.

F4=Prompt

Provides assistance for the field where the cursor is positioned. You see a list of values you can select for the field. For example, if you use **F4=Prompt** with the **Customer** field, you see a list of customers. You can select the customer you want to use in that field.

If you press **F4=Prompt** with information in a field, you see a subsetted list. Blank out **Position to** and press **Enter** to display a full list.

F5=Refresh

Clears any changes you made and returns the panel to the way it originally appeared. If any fields on the panel have default values, those defaults appear.

F6=Cursor

Moves the cursor to **Position to** so that you can start the list with the one you type here.

F7=Backward

Shows the previous set of entries for the list. You can press **F7** when you see **More: -** in the upper right part of the panel.

F8=Forward

Shows the next set of entries for the list. You can press **F8** when you see **More: +** in the upper right part of the panel.

F9=Retrieve

Shows the last command you entered from the command line with any parameters you selected. Press **F9** again to see the next-to-last command, and so on.

F11=Job status

Shows a list of your current system and job information. You can see the status of your current job, including: system ID, date, job number, and job name; your ID and your workstation ID; the default output queue and output queue library; and the MAPICS/XA environment.

F12=Cancel

Ignores any options or changes you typed on the current panel, and returns to the previous panel. Processes any other options you typed on the previous panel.

F13=Repeat

Repeats the option in Option from where the cursor is to the end of the list but ignores any other options typed for items earlier in the list.

F16=User options

Shows the options your company has currently defined for this function.

Use **F16** to work with user options. On the list that appears, you can type the option you want to perform against the user option you select. There is more information about a user option than can fit on the panel. You can use function keys to see more to the left or to the right of the view you currently see. Unless

Contents	Index	Exit
-----------------	--------------	-------------

you change the sequence, you see views in this order: Operator information, then programmer information.

F17=Subset

Shows a panel where you can create a subset of the list of entries that appear on the panel. You can narrow the list down to a smaller group that contains only those entries that meet the criteria you enter.

F18=Change defaults

Shows a panel where you can select which pages of information you want to see and the order in which you want to see them.

F20=Right

Shows information to the right of what you currently see. You can press **F20** when you see More: > in the upper right part of the panel.

F22=Messages

Shows a list of all the messages currently sent to this panel. From the list, you can choose to see secondary message text for any of the messages.

F24=More keys

Shows additional function keys you can use on this panel.

AMIWSN01—Work with Advance Ship Notices

Use this panel to view a list of ship notices (advance shipping notices or despatch advices) and choose an option to work with specific ones.

This panel appears when you use choose option 9 on the Transaction Processing menu (AMIM30).

```

AMIWSN01                Work with Advance Ship Notices

Position to . . . . . aaaaaaaaaaaaaaaaaaaaaaaaaA30

Type options; then press Enter.
  4=Delete   5=Display   6=Print   10=Items   20=Initial Receipt
  21=Verified Receipt

View 1 of 1
Opt Shipping ID          Vendor Name          Ship Date Cnd Whs Ship
A2 *****              *****              *****   ** *** ***
A2 *****              *****              *****   ** *** ***
A2 *****              *****              *****   ** *** ***
A2 *****              *****              *****   ** *** ***

Command ==>
F1=Help          F3=Exit          F4=Prompt          F5=Refresh

Command ==>
F6=Cursor          F9=Retrieve          F11=Job status
F12=Cancel          F13=Repeat          F16=User options  F24=More keys

Command ==>
F17=Subset          F18=Change defaults F19=Left          F20=Right
F22=Messages          F24=More keys
    
```

What to do

- To perform an action on an advance ship notice, type the option number in the **Option** field and press **Enter**. The appropriate panel appears. Option 6 causes the advance ship notice to be scheduled for printing without a panel appearing.
- To access additional function keys, use **F24**.

Function keys

See the discussion of function keys in “Work With function keys”.

Fields

See online Help for field information.

[Contents](#)[Index](#)[Exit](#)

Work with Advance Ship Notices options

The options available on this panel are listed in the table below. The panels are illustrated here in the order they appear by option rather than in numerical order. Field descriptions are not included. Online Help is available for all the panels and fields in all options.

Option #	Task the option lets you perform	Panel where option takes you
4	Delete an Advance Ship Notice	See "AMIRSN10—Confirm Delete of Advance Ship Notices".
5	Display information for an Advance Ship Notice	See "AMIDSN01—Display Ship Notice Detail".
6	Print an Advance Ship Notice	No panel. Printing is scheduled when you press Enter .
10	Work with Ship Notice Items	See "AMIWSI01—Display Ship Notice Items". Option 2 - See "AMICSI01—Change Ship Notice Item Detail" . Option 5 - See "AMIDSI01—Display Ship Notice Item Detail" .
20	Confirm Initial Receipt	See "AMIISN10—Confirm Initial Receipt Notification".
21	Confirm Verified Receipt	See "AMIVSN10—Confirm Verified Receipt Notification".

[Contents](#)[Index](#)[Exit](#)

AMIRSN10—Confirm Delete of Advance Ship Notices

Use this panel to confirm that you want to delete the ship notices (advance shipping notices or despatch advices) that appear. Only those you selected on the previous panel appear.

This panel appears when you use choose option 4 on the Work With Advance Ship Notices panel.

```

AMIRSN10                Confirm Delete of Advance Ship Notice

Press Enter to confirm your choices for 4=Delete.
Press F12 to return to change your choices.

View 1 of 1

Option  Shipping ID                Vendor Name                Ship Date
  4      *****                *****                *****

F1=Help      F7=Backward    F8=Forward    F11=Job Status
F12=Cancel   F19=Left       F20=Right    F22=Messages
  
```

What to do

- To delete a ship notice, press **Enter**. The ship notice is deleted.
- To return to the previous panel without deleting the ship notice, use **F12**.

Function keys

See the discussion of function keys in “Work With function keys”.

Fields

See online Help for field information.

AMIDSN01—Display Ship Notice Detail

Use this panel to view additional information about a ship notice (advance shipping notice or despatch advice). You cannot change any of the information on the panel.

This panel appears when you use choose option 5 on the Work With Advance Ship Notices panel.

```

AMIDSN01                Display Ship Notice Detail
Shipping ID . . . . . : *****

To select a page, type page and press Enter, or press Enter to continue.
                                                    Page 1 of 1

Shipment information
Vendor . . . . . : *****
Address . . . . . : *****
City . . . . . : *****
Postal . . . . . : ** *****
Country . . . . . : *****

Contact . . . . . : *****
Phone . . . . . : *****
Fax . . . . . :

Carrier . . . . . : ****
Weight . . . . . : *****
Ship date . . . . . : *****

F1=Help      F3=Exit      F5=Refresh
F7=Backward  F8=Forward   F12=Cancel   F24=More keys

```

What to do

When you have finished viewing the information, use **F12** to return to the previous panel.

Function keys

See the discussion of function keys in “Work With function keys”.

Fields

See online Help for field information.

AMIWSI01—Display Ship Notice Items

Use this panel to select an item to change quantities or display additional information for. You can type option numbers beside multiple items. The first option on the list is processed first.

This panel appears when you use choose option10 on the Work With Advance Ship Notices panel.

```

AMIWSI01                Display Ship Notice Items
Shipping ID . . . . . *****
Position to . . . . . aaaaaaaaaaaaA15

Type options; then press Enter.
  2=Change   5=Display                                View 1 of 1

Opt Item      Description                               Whs P.O.  Re1 Shipped  UM
A2 *****   *****                               *** ***** **** ***** **
A2 *****   *****                               *** ***** **** ***** **

Command ==>
F1=Help      F3=Exit      F4=Prompt    F5=Refresh
F7=Backward  F8=Forward
F24=More keys
    
```

What to do

- To change quantity information for an item, type **2** in the **Opt** field. The Change Ship Notice Item Detail panel appears.
- To display additional information about the item, type **5** in the **Opt** field. The Display Ship Notice Item Detail panel appears.

Function keys

See the discussion of function keys in “Work With function keys”.

Fields

See online Help for field information.

Contents	Index	Exit
--------------------------	-----------------------	----------------------

AMICSI01—Change Ship Notice Item Detail

Use this panel to change the quantities and reason codes for the item you selected on the previous panel.

This panel appears when you use choose option 2 on the Display Ship Notice Items panel.

```

AMICSI01                Change Ship Notice Item Detail

Shipping ID . . . . . : *****
Item . . . . . : *****

Item Information
Warehouse . . . . . : ***
Purchase Order/Release . : ***** / ****
Shipped Quantity . . . . : *****
Unit of Measure . . . . . : **

Receiving Information
Quantity Received . . . . : nnnnnnnn.nnnn
Reason Code . . . . . : A2
Quantity Returned . . . . : nnnnnnnn.nnnn
Reason Code . . . . . : A2
Quantity Rejected . . . . : nnnnnnnn.nnnn
Reason Code . . . . . : A2

F1=Help   F3=Exit   F5=Refresh
    
```

What to do

To change quantity and reason code information for the item, type the new information in the appropriate field and press **Enter**. The change is made and the Display Ship Notice Item Detail panel appears again.

Function keys

See the discussion of function keys in “Work With function keys”.

Fields

See online Help for field information.

AMIDSI01—Display Ship Notice Item Detail

Use this panel to view additional details about the item you selected on the previous panel. You cannot change any of the information that appears on the panel.

This panel appears when you use choose option 5 on the Display Ship Notice Items panel.

```

AMIDSI01                Display Ship Notice Item Detail

Shipping ID . . . . . : *****
Item . . . . . : *****

Item Information
Warehouse . . . . . : ***
Purchase Order/Release . . . . . : ***** / ****
Shipped Quantity . . . . . : ***** , ****
Unit of Measure . . . . . : **

Receiving Information
Quantity Received . . . . . : ***** , ****
Reason Code . . . . . : **
Quantity Returned . . . . . : ***** , ****
Reason Code . . . . . : **
Quantity Rejected . . . . . : ***** , ****
Reason Code . . . . . : **

F1=Help   F3=Exit   F5=Refresh

```

What to do

When you have finished viewing the information, use **F3** to return to the previous panel.

Function keys

See the discussion of function keys in “Work With function keys”.

Fields

See online Help for field information.

Contents	Index	Exit
--------------------------	-----------------------	----------------------

AMIISN10—Confirm Initial Receipt Notification

Use this panel to confirm your choices for initial receipt notification. An initial receipt notification is used when you want to send an 861 immediately to let the vendor know that the goods arrived. It specifies the overall condition of the shipment but also communicates to the vendor that the shipment has not been inspected yet. The EDI transaction that is created will have an “unverified” code with it.

You can change the Condition and Warehouse to reflect the most current information before you press **Enter**.

This panel appears when you use choose option 20 on the Work With Advance Ship Notices panel and the vendor’s media flag for Receiving Advice EDI is Y (Yes).

```

AMIISN10          Confirm Initial Receipt Notification

Press Enter to confirm your choices for 20=Initial Receipt
Press F12 to return to change your choices.

View 1 of 1

Opt Shipping ID          Vendor Name          Ship Date Cnd Whs Ship
** *****             *****             *****  A2  aA3  ***

F1=Help          F7=Backward    F8=Forward    F11=Job Status
F12=Cancel       F19=Left      F20=Right     F22=Messages
    
```

What to do

- To confirm your choices, press **Enter**.
If your system is set up to do so, the system sends a receiving advice (ANSI X.12 861) transaction to the trading partner that originally sent the advance shipping notice. (There is no equivalent EDIFACT transaction.) The Work With Advance Ship Notices panel appears again.
- To change the condition code or warehouse, type in the correct information before you press **Enter**.

Function keys

See the discussion of function keys in “Work With function keys”.

Fields

See online Help for field information.

[Contents](#)[Index](#)[Exit](#)

AMIVSN10—Confirm Verified Receipt Notification

Use this panel to confirm your choices for verified receipt notification. You cannot change any of the information on this panel.

Send a verified receipt notification after the shipment has been unpacked, counted, inspected, and processed. Be sure to use Option 10=Items on the Work with Advance Ship Notices panel first to update the quantities and condition of all items on the shipment. The EDI transaction that is created will have a "Verified" code with it and will send more item detail than an initial receipt notification does.

This panel appears when you use choose Option 21 on the Work With Advance Ship Notices panel and the vendor's media flag for Receiving Advice EDI is Y (Yes).

```

AMIVSN10          Confirm Verified Receipt Notification

Press Enter to confirm your choices for 21=Verified Receipt
Press F12 to return to change your choices.

                                View 1 of 1

Opt Shipping ID          Vendor Name          Ship Date Cnd Whs Ship
** *****              *****              ***** ** *** **

F1=Help          F7=Backward          F8=Forward          F11=Job Status
F12=Cancel       F19=Left              F20=Right           F22=Messages
  
```

What to do

To confirm your choices, press **Enter**.

If your system is set up to do so, the system sends a receiving advice (ANSI X.12 861) transaction to the trading partner that originally sent the advance shipping notice. (There is no equivalent EDIFACT transaction.) The Work With Advance Ship Notices panel appears again.

Function keys

See the discussion of function keys in "Work With function keys".

Fields

See online Help for field information.

How to resolve special situations

COM interface

After this interface is activated, intrawarehouse transfers and sales transactions are automatically generated by COM. Intrawarehouse transfers can be for end items or for components of a kit. COM generates two transactions (IW and RW) during the pick confirmation process. The IW and RW transactions constitute an intrawarehouse transfer and results in the material being moved from a stock location to a new staging location. COM recognizes when the item being transferred is a kit. In this case, COM will “explode” the kit into its components and create separate IW/RW transactions for each component.

Purchasing interface

Be sure to run the Inventory Transaction Register before you install Purchasing. Otherwise, Purchase Order and Item Status codes may be updated incorrectly because Purchasing and Inventory Management use some status codes differently.

When the Purchasing application is installed and interfacing, you can enter up to 80 characters as receiving comments with each of the following inventory transactions:

- Purchase Receipt to Dock (RD)
- Purchase Receipt to Inspection (RI)
- Purchase Receipt to Stock (RP)
- Purchase Order Vendor Accept (VA)
- Purchase Return to Vendor (VR)

These comments are optional. However, if they are entered, they print on the Inventory Transaction Register and are added to the Purchase Order Detail file as T type comments when the transactions are used to update your files. For blanket purchase orders, receiving comments are associated with specific releases only if you enter a release number with the transaction.

Note that if you are using immediate update, these comments are added to the Purchase Order Detail file as soon as the transaction is entered, and are not removed if you reverse the transaction. If you need to remove comment records, you must use Purchase Order Entry and Maintenance in Purchasing to locate and delete them.

Receiving comments never print on purchase orders, but you can view them using Purchase Order Inquiry. Also, if the Purchasing application is tailored to write T type comments to the history file, these comments are written to the Purchase Order History file during Purchase Order Closeout and Purge.

Repetitive Interface

The following IM transactions recognize and update Repetitive Production Management (REP) replenishment and pick list allocations in addition to updating the IM files. An application programming interface (API) is called from these transactions whenever the line or supply location involved has REP replenishments or allocations associated with it. The transactions include:

- IA** Inventory adjustment
- IP** Planned manufacturing issue
- IS** Miscellaneous issue

IU	Unplanned component issue
IW	Interwarehouse issue
PB	Pick complete by item
PC	Pick complete by order
PH	Physical inventory update
RC	Miscellaneous receipt
RM	Production receipt
RP	PO receipt to stock
RS	Component return to stock
RW	Interwarehouse receipt
SA	Sales shipment
SM	Manufacturing order scrap
SS	Scrap from stock
TW	Interwarehouse transfer

When REP is interfacing with IM, balance information for replenishment and pick list allocations is maintained in REP files. To keep the REP files synchronized with the IM files, certain IM transactions update both IM and REP balances.

Attempting update without data

If you select Option 3, Transaction Register, and there are no CLOSED batches, the application prints a Job Cancellation Message Log indicating that no CLOSED batches were found. Select an entry option, and if there are any ACTIVE or SUSPENDED batches, select them and close them. Then select the Transaction Register option again.

This same message can occur if all CLOSED batches are empty (contain no records or all deleted records). In this case, the application makes the batch or batches available.

Saving files when not in batch mode

During application tailoring, if you answered that you do not want to process transactions in batch mode, you will not be able to save your files unless all batches are available or finished.

When allocated items are not picked

Appropriate edits are maintained in the transaction processor to ensure that the actual items allocated are picked. For example, an item is allocated from six locations, but when the order is picked, only five of the locations are used, and a seventh location is substituted for the sixth.

First, enter the Pick Complete by Order (PC) transaction. The sixth allocation that was not used has a Planned Manufacturing Issue (IP) transaction generated for it. Second, go into review mode and delete the unneeded sixth IP transaction, preserving the five that are valid. Then enter an IP transaction for the material that was picked from the seventh (unallocated) location. When you follow these steps, the PC transaction deletes the discrete allocations from the Allocated Quantity file and generates the IP transactions from the original discrete allocations. Therefore, you can now substitute a seventh location in place of the sixth one, since there are no allocations outstanding.

Reversing those steps causes a warning message to appear. If you enter a Planned Manufacturing Issue transaction to report that you picked a quantity from a seventh location, you get a warning that allocations for that order have not been made from that particular location (no record found in the Allocated Quantity file). However, when you press **Enter**, the IP transaction will be accepted. Later, when all of the material has been picked, you must enter a Pick Complete by Order transaction to report all of the remaining material issued and remember to delete the IP for the sixth location.

You can tell when a manufacturing or customer order has discrete allocations by looking at the discrete allocation displays AMINM1, AMINM2, AMINM3, and AMINM4.

Reversing issues (non-floor stock components)

It may sometimes become necessary to reverse the effects of a Planned Manufacturing Issue (IP) of a component item to a manufacturing order or some of the components issued via a pick complete transaction (PB or PC). The reasons may vary, but there is one overriding consideration which must be taken into account: have the component items physically been issued from inventory? This consideration would, in general, determine the method you employ to reverse the effects of a particular issue transaction. You can use one of two methods of accomplishing a component issue reversal, a negative Planned Manufacturing Issue (IP) transaction or a Component Return to Stock (RS) transaction. The negative Planned Manufacturing Issue transaction reallocates the desired quantity, updates the on hand balance, and adjusts the manufacturing order issued-to-date and material cost information. The Component Return to Stock transaction functions the same way except that it recalculates the average cost of the component item, but it does not reallocate the item in the Item Balance record.

The primary use of the negative planned manufacturing issue is to reverse completely or partially the effects of a Pick Complete by Order (PC) or a Pick Complete by Item (PB) transaction. If, for convenience, a pick complete is processed, despite prevailing out-of-stock or insufficient quantity availability for some components, the result is an undesirable negative quantity-on-hand situation for those short components. In order to eliminate the negative quantity-on-hand and also to reflect the fact that these components have not been issued but are still required by the manufacturing order, negative Planned Manufacturing Issue transactions should be used to update the MAPICS/DB master files accordingly.

The purpose of the Component Return to Stock transaction is to record the return of components no longer required for a manufacturing order. Excess components may result from the reduction of the manufacturing order end item quantity. Over issuing may occur intentionally because of the way a particular component is packaged. A third possibility is that the bill of material erroneously contains an item that is not actually used to manufacture the end item or the quantity actually required for a component is less than stated in the bill of material. In this case, the Manufacturing Order Detail and Product Structure files should be maintained following the processing of the Component Return to Stock transaction to make necessary corrections to the component required quantity. The Component Return to Stock should not be used if the allocated quantity is to be restored.

Six situations can occur in which a return to stock may need to be processed. The steps required for each situation are as follows:

- There is a manufacturing order quantity reduction after material has been issued (Order Status=40) and the order is to remain open:

1. Enter a deviation quantity using Manufacture Order Master file Maintenance to obtain the desired open order quantity. Entering a quantity deviation does the following to the Manufacturing Order Detail records for the order:

$$\text{New QTREQ} = (\text{QTYPR} \times (\text{new QTDEV} - \text{old QTDEV})) + \text{old QTREQ}$$

New QTDEV	The deviation quantity being entered
Old QTDEV	The prior deviation quantity for the order
QTREQ	The quantity of the component required
QTYPR	The quantity per assembly in the Manufacturing Order Detail record.

2. Process the Component Return to Stock (RS) transaction for the excess component quantities.
- A manufacturing order is to be closed out or completed with an open order quantity still remaining. There are two ways to handle this:
 - Method 1:
 1. Enter a Production Receipt (RM) transaction (with or without a receipt quantity, as appropriate) and use a completion code of C. This reduces component allocations by the unissued quantity, if any, and sets the order status to 45.
 2. Process RS transactions for any components to be returned against the order. The RS transaction is valid even when Order Status= 45, 50, or 55.
 - Method 2:
 1. Enter a quantity deviation value that brings the open quantity to 0 (zero). The deviation quantity to enter that sets the open quantity to zero is the previous deviation quantity minus the open quantity.

Open quantity = order quantity - quantity received - quantity scrapped - split order quantity + (any previous) deviation quantity. If yield is used, the actual scrap is not subtracted from the order quantity until it exceeds the planned order scrap.

Process the RS transactions for the excess components.
 2. Force close the order.
 - A component item has been issued that is not actually used in the manufacturing process (the bill of material is wrong, for example):
 1. Perform Manufacturing Order Detail file maintenance to set the quantity per and quantity required to zero.
 2. Enter an RS transaction to return the quantity that was issued.
 3. Delete the Manufacturing Order Detail record through Manufacturing Order Detail file Maintenance. (Optional step)
 - The component quantity required is overstated in the bill of material:
 1. Perform Manufacturing Order Detail file maintenance to adjust the quantity required.
 2. Enter an RS transaction to return the excess component quantity.
 - The component required quantity is correct in the bill of material, but an excess quantity is inadvertently issued. Enter an RS transaction to return the excess quantity.
 - An RS transaction is mistakenly entered prior to performing necessary preliminary processing steps. Enter an RS transaction with the appropriate

negative quantity. Use the original transaction amount to restore the previous average cost, unless the quantity on hand has changed in the interim, in which case the correct average cost has to be manually computed and entered with the Average Cost Replace (CR) transaction.

A negative Planned Manufacturing Issue (IP) transaction is an alternative to the RS transaction in user environments where there is no requirement to affect average and last cost when materials are returned to the stockroom from production.

Typically, Component Return to Stock transactions should be used whenever the components were physically picked and issued from a warehouse to a manufacturing order. Negative Planned Manufacturing Issue transactions should be used in cases where no stock movement has taken place, but component issues recorded in the MAPICS/XA master files need to be reversed or backed out.

There is one limitation on the use of negative Planned Manufacturing Issue transactions. If a negative requirement exists for a component item which has multiple Manufacturing Order Detail records, a negative Planned Manufacturing Issue for that component may cause the Manufacturing Order Detail records to be incorrectly updated. The use of the negative Planned Manufacturing Issue in this situation is not recommended.

Reversing issues for Inspect on Receipt (IOR) components

When you need to reject an Inspect on Receipt (IOR) component, issued to a manufacturing order, and return it to stock in unapproved status, do the following:

1. Process a Planned Manufacturing Issue (IP) for a negative quantity to completely reverse the issue, reallocate the component, and store back in the inventory as approved stock.
2. Process a Miscellaneous Receipt for the purchased item to a dummy location for the same negative quantity.
3. To completely back the material out of inventory, process the QC transaction for the dummy location and approve the negative quantity to the location used to process the IP.
4. Process the QC transaction to reject the material.

To handle the material in rejected status do one of the following:

- Use a Scrap from Stock (SS) transaction. The SS transaction can be used to scrap material in approved or rejected status.
- To change material from rejected to approved status, use option 1 on the Location Control menu (AMIM79). Change the QC type from 8 (rejected) to 2 (no shelf life control).

Note: To approve part of the material and scrap the rest, process the SS transaction and then change the status.

Reversing issues for uncontrolled floor stock components

Component items which have been designated as uncontrolled floor stock components behave somewhat differently when negative Planned Manufacturing Issue or Component Return to Stock transactions are processed for them. (For additional information on floor stock components, refer to "Floor stock considerations".

A negative Planned Manufacturing Issue for an uncontrolled floor stock component differs from that of a non-floor stock item in that the transaction does not affect the on hand balance in the Item Balance record. In fact, no Item Balance information is affected. Negative Planned Manufacturing Issue transaction of uncontrolled floor stock components must be processed against a specific manufacturing order, and only the Manufacturing Order Detail and the Manufacturing Order Master files are updated to reflect the transaction.

On the other hand, a Component Return to Stock transaction for an uncontrolled floor stock component updates the Item Balance record including the on hand balance for the component, but the transaction does not update the Manufacturing Order Master or Detail records. It functions exactly like a Miscellaneous Receipt (RC) transaction except that it does not affect period-to-date receipt information in the Item Balance record. For uncontrolled floor stock components, a manufacturing order number is optional when this transaction type is processed.

Moving rejected material

Use the Interwarehouse Transfer (TW) transaction, not the individual Interwarehouse Issue (IW) and Interwarehouse Receipt (RW) transactions, to move rejected material from one location (inspection station) to another (scrap holding area or rework area). If the receiving location contains an on hand balance, the **QC Type Code** field in its Location Quantity record must be 8. If the receiving location does not have an on hand balance, the application adds a record for the receiving location to the Location Quantity file and set its QC Type Code to 8 (the value in the issuing location).

Processing inspect on receipt and QC items in a controlled warehouse

The Item Master record contains two codes which allow you to inspect items, the Inspect on Receipt (IOR) Code and the Quality Control code. One, both, or neither code can be active for a particular item. When inventory transactions are processed, the application uses these codes to update the QC Type Code in the Location Quantity file while it is updating the on hand balance. The QC Type Code indicates that:

- 1** Item is within shelf life
- 2** Item is not shelf life controlled
- 6** Shelf life has expired
- 7** Manufactured item is waiting for inspection on receipt
- 8** Item is rejected after inspection on receipt or shelf life inspection
- 9** Purchased item is waiting for inspection on receipt

The following discussion explains how the application processes inventory transactions, given certain values in QC Type Code, and updates the Location Quantity file.

QC type code settings when you add records to the Location Quantity file

When no on-hand balance exists in a specified location, these transactions cause a record to be added to the Location Quantity file and the QC Type Code to be set as follows:

Table 5-1. QC type code setting when you add records to the Location Quantity file

Trans Code	Transaction Name	If IOR item, QC Type Becomes:	If not IOR Item, QC Type Becomes:
IA	Inventory Adjustment	1 or 2	1 or 2
RC	Miscellaneous Receipt for manufactured item	7	1 or 2
RC	Miscellaneous Receipt for purchased item	9	1 or 2
RI	Purchase Receipt to Inspection	9	N/A
RM	Production Receipt	7	1 or 2
RP	Purchase Receipt to Stock	N/A	1 or 2
RS	Component Return to Stock	1 or 2	1 or 2
RW	Interwarehouse Receipt for manufactured item	7	1 or 2
RW	Interwarehouse Receipt for purchased item	9	1 or 2
SA	Negative Sales Shipment for manufactured item	7	1 or 2
SA	Negative Sales Shipment for purchased item	9	1 or 2
SA	Positive Sales Shipment item	1 or 2	1 or 2
SS	Scrap from Stock	7 or 9	1 or 2
TW	Interwarehouse Transfer	Same as issuing location	Same as issuing location
	All negative issue transactions	1 or 2	1 or 2

QC type code settings required when you update records in the Location Quantity file

When an on hand balance exists in a specified location, these transactions cause the record to be updated in the Location Quantity file if the QC Type Code is set as follows:

Table 5-2. QC type code setting when you update records in the Location Quantity file

Trans. Code	Transaction Name	Quantity Sign	QC Type Code
IA	Inventory Adjustment	+ or -	1, 2, 6, 7, 9
IP	Planned Manufacturing Issue	+	1, 2
		-	1, 2, 6
IS	Miscellaneous Issue	+	1, 2
		-	1, 2, 6
IU	Unplanned Component Issue	+	1, 2
		- (N/A)	
IW	Interwarehouse Issue (1,2)	+ or -	1, 2, 7, 9
PB	Pick Complete by Item	+	1, 2
		-	
RC	Miscellaneous Receipt	+	7, 9 (if IOR)
		+	1, 2 (if not IOR)
		-	1, 2, 7, 9 (if IOR)
		-	1, 2 (if not IOR)
RI	Purchase Receipt to Inspection	+ or -	9
RM	Production Receipt	+	7 (if IOR)
		+	1, 2 (if not IOR)
		-	1, 2, 7 (if IOR)
		-	1, 2 (if not IOR)
RP	Purchase Receipt to Stock	+ or -	1, 2
RS	Component Return to Stock	+ or -	1, 2, 9
RW	Interwarehouse Receipt (1)	+ or -	7, 9 (if IOR)
			1, 2 (if not IOR)
SA	Sales Shipment	+ or -	1, 2
SS	Scrap from Stock	+ or -	1, 2, 8
TW	Interwarehouse Transfer (3)	+ or -	1, 2, 6, 7, 8, 9

Notes:

1. QC Type Code will be restored to the value of the location when the transaction was generated if in immediate update mode. If the status of the location has been changed since the generation of the transaction, the reversal is not allowed.
2. QC Type Code cannot be 6 or 8 if you enter an IW or RW transaction. However, if the IW or RW transaction is generated by the application as a result of processing a TW transaction for an intrawarehouse (not interwarehouse) transfer, the QC type code can be 6 or 8.
3. The QC Type Code for the issuing locations must be the same as that of the receiving location when the receiving location contains an on hand balance.

An error message appears if you attempt to process inventory transactions when the QC Type Code is other than described above.

When shelf life expires for a quality-controlled item, the application updates the QC Type Code field from 1 to 6. The updating of the field in the Location Quantity file occurs when you print the Cycle QC Due/Overdue report (AMIQB3). However, the application also checks the QC due date against the system date to assure that quantities for items whose shelf life has just expired are not considered available.

The fact that you have not yet printed the report does not threaten the integrity of your quality control procedures.

Backing out entries

If an error is detected after the files have been updated and the Inventory Transaction Register has been printed, you can make a reversing entry for most transactions by reentering the transaction with negative quantities and negative amounts. You may have to use file maintenance to correct some of the data fields in the master files, such as date fields or completion codes.

When controlled floor stock component issue (IP) transactions are rejected (ignored) while backflushing from a production receipt (RM) or a manufacturing order scrap (SM) transaction, the RM or SM transaction will still exist. If you wish to back out of the RM or SM transaction, you can make a reversing entry by re-entering the transaction with negative quantities and amounts. You will also need to select F06 on display AMI3D27E to ignore the planned issue transactions. Please keep in mind that if the original RM transaction was entered with a completion code of C, you must first enter an RM with a completion code of R and a quantity of zero to reopen the order.

Work station entry using immediate update

.While using immediate update, the only way to change an active (A) transaction is to reverse the transaction and enter it again. Reversing is done by setting the Reversal Code to R. The master files are modified when you reverse a transaction. Then you enter the transaction again with the change.

The use of the reversal code is not allowed for the following types of transactions:

- Pick Complete by Item (PB)
- Pick Complete by Order (PC)
- Production Receipt (RM)
- Purchase Receipt to Inspection (RI)
- Manufacturing Order Scrap (SM)
- Interwarehouse Transfer (TW)
- Miscellaneous Item Issue (MI)
- Miscellaneous Item Receipt (MR).

The Pick Complete by Item (PB) transaction must be reversed by reversing the individual Planned Manufacturing Issue (IP) transactions that were generated from it.

The Interwarehouse Transfer (TW) transaction must be reversed by reversing the Interwarehouse Issue (IW) and Interwarehouse Receipt (RW) transactions that were generated from it.

The Miscellaneous Item Issue (MI) transactions can be reversed by entering a Miscellaneous Item Receipt (MR), and the Miscellaneous Item Receipt (MR) can be reversed by entering a Miscellaneous Item Issue (MI).

The Production Receipt (RM) and Purchase Receipt to Inspection (RI) transactions can be reversed by reentering the transaction with a negative quantity. If the item requires inspection on receipt and a quality control transaction (PQ, purchased item; MQ, manufactured item) has been processed, you must do the following:

1. Process the RM or RI transaction for the negative quantity to a non-approved location.

2. Process a negative PQ or MQ to transfer the negative quantity from the non-approved location to the location from which you want to reverse it.

In the case of a Production Receipt (RM) transaction entered with a completion code of C, two Production Receipt transactions are required to reverse the transaction. First, a Production Receipt with a completion code of R must be entered to reopen the order. Then you must enter a Production Receipt with a negative quantity to reverse the original transaction.

When you are processing Planned Manufacturing Issue (IP), Miscellaneous Receipt (RC), Purchase Receipt to Dock (RD), Purchase Receipt to Inspection (RI), Purchase Receipt to Stock (RP), Component Return to Stock (RS), Interwarehouse Receipt (RW), Purchase Order Scrap (SP), or Scrap to Stock (SS) transactions in immediate update mode and a U appears in the reversal field (REV or RV CD), you must take one of two actions:

- Change the U to an E to create an error record.
- Change the U to an A and correct the error.

When you are processing Production Receipt (RM) transactions in immediate update mode and a U appears in the reversal field (REV or RV CD), you must change the U to an E to create an error record. The associated error message appears in the lower left corner of the display. You cannot close the batch until all of the U records are changed.

Work station entry using batch update

To change a transaction if you use batch update, enter review mode by selecting the page backward function key and page to the transaction to be modified or deleted. Then make changes by entering the correct value.

Offline entry

Offline entry uses only batch processing, even if during application tailoring you specified immediate update. To change an offline batch transaction, use the same process as work station entry with batch update.

Additional references

By using Inquiry (Chapter 3) and Reports (Chapter 4), you should be able to verify the actual condition of data in your master files. To determine how data was changed from previous values, you can review previous Inventory Transaction Registers and reports. Only you can determine which supporting inquiries and reports are needed to resolve questionable values.

Contents	Index	Exit
--------------------------	-----------------------	----------------------

Chapter 6. Order Release and Closeout

If you select option 4 from the Main Menu, the Order Release and Closeout menu (AMIM40) appears. This menu has 6 options that allow you enter, release, and close purchase and manufacturing orders and print shop packets for open manufacturing orders.

Option 1. Order Entry (AMIM40)	6-2
Option 2. Order Release (AMIM40).....	6-74
Option 3. Order Release with Shop Packet (AMIM40)	6-78
Option 4. Create Shop Packet (AMIM40)	6-82
Option 1. Multiple Order Selection (AMIM44)	6-83
Option 2. Individual Order Selection (AMIM44)	6-95
Option 5. Order Closeout Selection (AMIM40).....	6-102
Option 6. Order Closeout Report and Purge (AMIM40)	6-108

```

AMIM40                               Inventory Management          *****
                                Order Release and Closeout

Type option or command; press Enter.

    1. Order Entry
    2. Order Release
    3. Order Release with Shop Packet
    4. Create Shop Packet >>
    5. Order Closeout Selection
    6. Order Closeout Report and Purge

==> _____

F3=Exit      F4=Prompt   F9=Retrieve   F10=Actions
F11=Job status  F12=Return  F22=Messages
  
```

Option 1. Order Entry. Use this option to enter orders that are to be released when you use option 2.

Option 2. Order Release. Use this option to process order release batches that have been closed.

Option 3. Order Release with Shop Packet. Use this option to process order release batches that have been closed and to print the shop packets for the manufacturing orders in those batches.

Option 4. Create Shop Packet. Use this option to display the Shop Packet Creation menu (AMIM44). You can then create shop packets for individual or multiple manufacturing orders that have been released.

Option 5. Order Closeout Selection. Use this option to select those orders to be closed.

Option 6. Order Closeout Report and Purge. Use this option to purge those orders selected for closeout and to print a list of the deleted orders.

Option 1. Order Entry (AMIM40)

Use this option to enter manufacturing and purchase orders. The functions provided by this option vary depending on which other MAPICS XA applications are installed and interfacing:

- If IM is installed alone, purchasing and manufacturing orders to be released must be manually entered.
- If EPDM is activated or PDM is interfacing, you can specify whether the engineering records are to be pulled from PDM or from EPDM. A blank site ID in the warehouse master record indicates PDM records are to be used. A specific site entry identifies which site in EPDM to use to extract the engineering records. See Chapter 2 for more information on this topic.
- If the Material Requirements Planning (MRP) application is installed and interfacing, MRP can generate the released orders. Although you normally enter orders during MRP order release, you can also enter orders using IM, provided the order numbers are not duplicates.
- If the Product Data Management (PDM) application is installed and interfacing, a manufacturing or manufacture per customer order can be created by only entering information for the Manufacturing Order Master record into IM. You can create manufacturing allocation records in the Manufacturing Order Detail file by entering NOW or REL for the B/M (bill of material) option during order entry. If you enter NOW, the PDM Product Structure file is used to immediately explode the bill of material. If you enter REL, the bill of material is not exploded until the order is released. If PDM is not installed and interfacing, or if you want to enter the bill of material for an item not in the Product Structure file, you must enter KEY for the B/M option and then manually enter the component allocation records.
- If the Purchasing (PUR) application is installed and interfacing, all purchase orders must be released through PUR. The only exception is those purchase orders released through MRP.
- If both the PDM and the Production Control and Costing (PC&C) applications are installed and interfacing, operation detail and operation description records are created from the PDM Routing file if you answer YES to the ROUTING option during order release. These detail records represent operations performed during the manufacturing process. Cost, time, overhead and other data are kept for each operation. If PDM is not installed and interfacing, routings must be manually entered. Without PC&C, routings are not supported.

For a more detailed comparison of order release in the MAPICS XA applications, see Appendix C "Entry/release process for orders and schedules" .

- **Order allocation.** After you enter manufacturing order master information, you can allocate components to that order. You can choose to explode the bill of material now or when the order is released. Your other option is to enter the required components manually.

If you explode the bill of material now or enter the required components manually, you can check component availability immediately and specify your component allocations. After the order is released, you can use the discrete allocation function if your components are stored in a controlled warehouse.

IM Order Release allocates the total required quantity of a material to a manufacturing order. Thereafter, the discrete allocation function lets you go one step further and specify what locations or batch/lots you want that total required material quantity picked from. Refer to "Discrete allocations" and "When allocated items are not picked" for more information about discrete allocations.

- **Splitting manufacturing orders.** A base order (an original manufacturing order having a zero in the units position of the order number) can be split to redirect part or parts of the order. For instance, from an original order to manufacture 100 units of an item, you want 10 of those units to be moved ahead and delivered before the other 90. This split is accomplished by entering the base order number, followed by the split quantity and due date. Material and miscellaneous costs remain with the base order.

The base manufacturing order can be split up to nine times (the system assigns new order numbers, using suffixes of 1 through 9 in the unit position, in place of the 0 in the base order number), but the total split quantity must be less than the base quantity.

A split order should be created starting from the first or current operation. Creating a split order that starts with a later operation introduces inaccuracies into scheduling priorities and the work load calculated in PC&C. If you are splitting an order that uses milestone operation group reporting, do not start the split within the milestone group. You can, however, start the split at a milestone start operation, provided that operation is the current operation. If PC&C is installed and interfacing, the beginning operation for the split can be entered in IM or PC&C.

If you split an order and activity has been reported on the original order, duplicate set up costs are incurred. The application lets you report set up time for both the base order and the split order so that you can track these abnormal costs.

When you split an order, a Manufacturing Order Master record is created, but component allocations are not automatically created for the split order. If you want to issue material to the split order, rather than continuing to issue material to the base order, you must use Manufacturing Order Detail file maintenance to first add material allocation records for the split order and then process issue transactions.

- **Creating manufacturing orders from customer orders.** If the Customer Order Management (COM) and the Product Data Management (PDM) applications are both installed and interfacing, final assembly orders can be created from the COM sales order. For products with standard options, the Manufacturing Order Detail records are created from the COM customer order detail records. For products with no standard options, the Manufacturing Order Detail records are generated using the PDM Product Structure file.
- **Application tailoring options.** Several options offered during application tailoring affect the way purchase and manufacturing orders are handled. The purchase order tracking option is required if you plan to enter purchase orders to be released.

Manufacturing order tracking is an option that allows manufacturing orders to be released and component allocation records to be created.

If COM and PDM are installed and interfacing, you can elect, during application tailoring, to have all items associated with a customer order number or only those items having an associated S-number copied into manufacturing orders. You can override this option during manufacturing order entry.

If Knowledge-Based Configurator (KBC) is installed and interfacing with COM, manufacturing orders can be released for configured items. This entails accessing the customer order containing the configuration information, copying the configured bill of material into manufacturing order component detail records and copying routing steps into operation detail records. This is done via the manufacturing order "batch". You then close the batch and run Order Release, much the same as if you had manually keyed the material and routing data.

Contents	Index	Exit
--------------------------	-----------------------	----------------------

Two other functional options are available to you only if certain other applications are installed and interfacing:

- If PC&C is installed and interfacing, operation and miscellaneous cost entry are supported.
- If PDM is installed and interfacing, component allocation records and operation detail records can be automatically created.

Both these options, if available, can be overridden during order release if such support is not wanted for a specific order.

Note: After you finish entering orders, be sure to release the orders you have entered and update the master files using option 2 (Order Release) or 3 (Order Release with Shop Packet) on the Order Release and Closeout menu (AMIM40).

The basic steps for entering orders follow each display.

What information you need: None.

What reports are printed: Order Entry Batch Control Update (AMI4D).

What forms you need: None.

AMI4Z1—Order Entry—Purchase/Manufacture—Data Entry Control

Use this display to select a new batch or an old batch whose status is active, closed, or suspended.

This display appears when you select option 1 on the Order Release and Closeout menu (AMIM40).

Caution: This display locks out other work stations from starting Order Entry. Do not leave it on the screen for more than a moment. You should make your selection immediately or cancel the job.

DATE **/**/**		ORDER ENTRY - PURCHASE/MANUFACTURE DATA ENTRY CONTROL				AMI4Z1 **		
ENTER BATCH NUMBER nnn		BATCHES CURRENTLY IN USE ***				LOCATE BATCH nnn		
BATCH NO.	WSID	OPID	WSID	OPID	STATUS	DATE	USED	ERRORS
***	*****	***	*****	***	*****	**/**	*****	*****
***	*****	***	*****	***	*****	**/**	*****	*****
***	*****	***	*****	***	*****	**/**	*****	*****
***	*****	***	*****	***	*****	**/**	*****	*****
***	*****	***	*****	***	*****	**/**	*****	*****
***	*****	***	*****	***	*****	**/**	*****	*****
***	*****	***	*****	***	*****	**/**	*****	*****
***	*****	***	*****	***	*****	**/**	*****	*****
***	*****	***	*****	***	*****	**/**	*****	*****
***	*****	***	*****	***	*****	**/**	*****	*****
***	*****	***	*****	***	*****	**/**	*****	*****
***	*****	***	*****	***	*****	**/**	*****	*****
***	*****	***	*****	***	*****	**/**	*****	*****
***	*****	***	*****	***	*****	**/**	*****	*****
***	*****	***	*****	***	*****	**/**	*****	*****
***	*****	***	*****	***	*****	**/**	*****	*****
***	*****	***	*****	***	*****	**/**	*****	*****

USE ROLL UP/DOWN
F04 NEW BATCH
F24 CANCEL THE JOB

What to do

To select the batch you want, type in a batch number and press **Field Exit** and **Enter**.

- If you selected an existing batch that contains no active records, the Order Entry – Purchase/Manufacture (Select) display (AMI4A1) appears.
- If you selected an existing batch that contains active records, the review display for the first order in the batch appears.

Function keys

ROLL UP/DOWN allows you to scroll up and down through the list of batches on the display.

F04 NEW BATCH starts a new batch and the Order Entry – Purchase/Manufacture (Select) display (AMI4A1) appears.

F24 CANCEL THE JOB ignores the data you typed in on this display and causes the Order Release and Closeout menu (AMIM40) to appear again.

Contents	Index	Exit
--------------------------	-----------------------	----------------------

Fields

BATCHES CURRENTLY IN USE. The number of batches in process regardless of status.

ENTER BATCH NUMBER. Required. Type in the number of a specific batch to be reviewed or changed. You are then attached to that batch. The next display seen is the first record in the batch.

LOCATE BATCH. The number of the batch to be located for processing. To review the data entry control information for a batch, type the batch number in this field. This display appears again showing the requested batch on the first line of the list of batches.

BATCH NO. The sequential number assigned by the application to identify the batch.

ORIGINAL.

WSID (Original work station identification). The work station where transactions for the batch were originally entered. For offline batches, asterisks appear.

OPID (Original operator identification). The ID of the operator who entered the batch. The operator ID appears only if security is activated. For offline batches, asterisks appear.

LAST.

WSID (Last work station identification). The work station where the batch was last selected. For offline batches, asterisks appear.

OPID (Last operator identification). The ID of the operator who last selected the batch. The operator ID appears only if security is activated. For offline batches, asterisks appear.

STATUS. One of the following codes:

Active The batch is being used by another work station or is incomplete because of some abnormal condition. An active online batch can be selected only from the work station that last selected that batch. An active offline batch can be selected from any work station, if the batch is not being acted on by a program.

Suspnd The system operator has selected **F23** on the Order Entry – Purchase/ Manufacture display (AMI4A12) to suspend the batch. More transactions can be entered in the batch. A suspended batch can be selected from any work station.

Closed The system operator has selected **F24** on the Order Entry – Purchase/ Manufacture display (AMI4A12) to close the batch. The application can now use the batch to update the master files.

Update The application has selected the batch for updating the master files.

Finish The batch has been applied to the master files but the transactions remain in the batch until the files are saved.

DATE. The creation date or date of last activity for the batch.

Contents	Index	Exit
--------------------------	-----------------------	----------------------

RECORDS USED. The number of transaction records in the batch.

RECORDS ERRORS. The number of transaction records that the application has detected to be in error. If there is a value here, it has come from Knowledge Based Configurator (KBC). It means a KBC batch has encountered errors which must be fixed.

[Contents](#)[Index](#)[Exit](#)

AMI4A1—Order Entry—Purchase/Manufacture (Select)

Use this display to select the type of order you want to process. If Purchasing is installed and interfacing, you cannot select purchase order entry.

This display appears when you enter a valid batch number or use **F04** for a new batch on the Data Entry Control display (AMI4Z1). It also appears when you select **F19** when it is available on any of the order entry displays.

```

DATE **/**/**      ORDER ENTRY - PURCHASE/MANUFACTURE  SELECT  AMI4A1  **

          1 PURCHASE ORDER
          2 MANUFACTURING ORDER
          3 MANUFACTURING ORDER SPLIT
          4 MFG ORDER PER CUSTOMER ORDER

SELECT  n

                                     F24 DISPLAY STATUS

```

What to do

To select the type of order you want to process, type in a number from 1 to 4 and press **Enter**.

Depending on your selection, one of the following displays appears:

- 1** AMI4A2 (Purchase Enter). Valid only if Purchasing is not installed.
- 2** AMI4A4 (Manufacture Enter)
- 3** AMI4A10 (Manufacture Split Select)
- 4** AMI4A11 (Manufacture Per Customer Order Select). Valid only if both PDM and COM are installed and interfacing with IM.

Function keys

F24 DISPLAY STATUS causes the Order Entry – Purchase/Manufacture (Status) display (AMI4A12) to appear.

Contents	Index	Exit
--------------------------	-----------------------	----------------------

Fields

SELECT. Required. Type in the number for the type of order to be processed.

- 1 Purchase order
- 2 Manufacture order
- 3 Manufacture order split
- 4 Mfg order per customer order

Contents	Index	Exit
--------------------------	-----------------------	----------------------

AMI4A2—Order Entry—Purchase (Enter)

Use this display to enter summary information about a purchase order to be released.

This display appears when you select option 1 (purchase order) on the display AMI4A1.

```

DATE **/**/**      ORDER ENTRY - PURCHASE      ENTER      AMI4A2  **

ORDER NO  ITEM NUMBER  WH    QUANTITY  FOLLOW DATE  DUE DATE  REFERENCE
aaaaaA7  aaaaaaaaaaaaA15  aA3   nnnnnnn.nnn  nnnnnn     nnnnnn     aaaaaaA10

BLNKT  PLANR  ITEM DESCRIPTION          VENDOR VENDOR CATALOG NO STK LOC
A      nnnnn  aaaaaaaaaaaaaaaaaaaaaaaaaA30  aaaaA6  aaaaaaaaaaaaA15  aaaaaA7

ORD  RSCH CODE  CUSTOMER JOB
   n           aaaaaaaaaA12

F03 PAGE BACKWARD
F17 NEW ORDER
F19 RETURN TO SELECT
F24 DISPLAY STATUS
    
```

What to do

To enter summary information about a purchase order, type in the requested information and press **Enter**. The data you entered is processed.

- If you enter **Y** (yes) in the **BLNKT** field, the Order Entry – Blanket Release (Enter) display (AMI4A3) appears to allow entry of blanket order detail.
- If you enter **N** (no) in the **BLNKT** field, this display appears again to allow entry of another purchase order.

Function keys

F03 PAGE BACKWARD places the work station into Review mode and causes the last record processed into the batch to appear. Review mode allows paging forward or backward through the batch and to change or delete records as required.

F17 NEW ORDER causes the Order Entry – Purchase (Enter) display (AMI4A2) to appear again showing the next sequential purchase order number so you can enter a new order.

F19 RETURN TO SELECT causes the Order Entry – Purchase/Manufacture (Select) display (AMI4A1) to appear again.

[Contents](#)[Index](#)[Exit](#)

F24 DISPLAY STATUS causes the Order Entry – Purchase/Manufacture (Status) display (AMI4A12) to appear.

Fields

[?] appears next to a field name in the following field definitions to identify a field from which you can begin a master file search.

ORDER NO (ORDNO). Type in an order number that begins with P. If you leave this field blank, the application assigns the next sequential purchase order number. The default is blank.

ITEM NUMBER (ITNBR) [?]. Required. Type in the number of the item to be ordered.

WH (Warehouse Code) (HOUSE). If you have multiple warehouses defined in the Warehouse Master file, type in the code of the warehouse that will receive the purchased item. If you have only one warehouse, the warehouse defined in the Warehouse Master file appears in this field and cannot be changed.

QUANTITY (ORQTY). Required. Type in the quantity (in stocking unit of measure) of the item to be ordered.

FOLLOW DATE (Follow-Up Date) (FOLDT). Type in the date when the status of the order should be verified with the vendor. If you leave this field blank, the field defaults to the Due Date. The calculation starts with the due date to stock and offsets it by the dock to stock lead time (purchase lead time adjustment).

DUE DATE (DUEDT). Required. Type in the date the purchased item is due to be received in stock.

Note: If the item has a cycle count code of 4, the due date for this order is placed in the **DATE OF NEXT COUNT** field (NXCDT) in the Item Balance record. Refer to “AMI7A1—Item Balance File Maintenance (Select)” or “AMI7A5—Item Balance File Maintenance (Add or Change)” for additional information.

REFERENCE (Reference Number) (REFNO). [Number assigned by your company to relate an order to other orders.](#)

Type in the reference number you want to appear on reports associated with this purchase order.

BLNKT (Blanket Order Request). Required. Type in one of the following values:

Y (yes) Multiple deliveries are scheduled. Display AMI4A3 appears when you press **Enter** to allow entry of the blanket release information.

N (no) No multiple deliveries. The purchase order does not appear or function as a blanket order in IM or MRP.

PLANR (Planner Code) (PLANN). Type in the code that identifies the person responsible for planning. If you leave this field blank, the application uses the planner code from the Item Balance file.

[Number assigned by your company to identify the person responsible for planning the replenishment strategy for this item. MRP and MPSP, if installed, use this field as a limit for selection and for sequencing Order Status reports.](#)

Contents	Index	Exit
--------------------------	-----------------------	----------------------

ITEM DESCRIPTION (ITDSC). Type in the description of the item or leave this field blank. If you leave this field is blank, the application uses the description from the Item Master file.

Note: When printing the Inventory Transaction Register (AMV3G), the application always uses the description from the Item Master file.

VENDOR (Vendor Number) (VNDNR) [?]. Type in the number assigned to the vendor for this order or leave this field blank. If the number is used, it overrides the vendor number from the Item Master and Item Balance files.

If the field is blank, the application uses the number in the Item Balance file (if any). If the field is blank in the Item Balance file, the value (if any) in the Item Master file is used. If neither file contains this number, the field remains blank.

VENDOR CATALOG NO (VCLNR). Type in the number the vendor uses to define the item.

STK LOC (Stock Location) (WHSLOC). Type in the stock location of this item or leave this field blank. If you enter the location, it overrides the location in the Item Balance file. If you leave the field blank, the application uses the location from the Item Balance file. For components used in REP, it serves as the default supply location.

ORD RSCH CODE (Order reschedule code) (ORRC). Code used to indicate whether or not an individual manufacturing order or purchase order line item can be rescheduled automatically by the system. This field only appears if MRP is interfacing.

- 0** Default to item reschedule code. This is the default.
- 1** Cannot be rescheduled automatically
- 2** Can be scheduled out
- 3** Can be scheduled in
- 4** Can be scheduled both out and in

CUSTOMER JOB (JOBNO). Type in the customer job or order number associated with this purchase order.

The number that associates this order with a particular customer order or with other manufacturing orders. If the manufacturing order has been released, the job number contains the company number, order type, and order number of the customer order from COM. Otherwise, use this field as a user-defined reference field during manufacturing order entry.

If COM is installed and interfacing with IM, a customer order number includes the company number and order type of the associated customer order.

[Contents](#)[Index](#)[Exit](#)

AMI4A2R—Order Entry—Purchase (Review)

Use this display to review or to change and delete any Purchase Order Item Detail records processed into the batch using display AMI4A2.

This display appears when you select **F03 PAGE BACKWARD** on any Enter display and the record you are reviewing is a Purchase Order Item Detail record.

```

DATE **/**/**      ORDER ENTRY - PURCHASE      REVIEW      AMI4A2R **
LOCATE ORDER      aaaaaA7
ORDER NO  ITEM NUMBER  WH      QUANTITY  FOLLOW DATE  DUE DATE  REFERENCE
*****  *****
          *****  ***  nnnnnnn.nnn  nnnnnn      nnnnnn      aaaaaaA10

BLNKT  PLANR  ITEM DESCRIPTION      VENDOR VENDOR CATALOG NO STK LOC
*      nnnnn  aaaaaaaaaaaaaaaaaaaaaaaaaA30  aaaaA6  aaaaaaaaaaaaA15  aaaaaA7

ORD  RSCH CODE  CUSTOMER JOB
   n             aaaaaaaaaA12

```

```

F01 RESUME ENTRY
F02 PAGE FORWARD
F03 PAGE BACKWARD
F20 DELETE RECORD
F24 DISPLAY STATUS

```

What to do

To change a purchase order item detail, type in the information you need to change and press **Enter**. The record is changed. The next record that appears depends on whether you page forward or backward.

Function keys

F01 RESUME ENTRY places the work station into Enter mode and causes a detail display to appear that corresponds to the last record in the order. If a detail display does not apply, display AMI4A1 appears again.

F02 PAGE FORWARD causes the next record on the order to appear when you are using the Order Locate function. Otherwise, paging forward causes the next record in the batch to appear.

F03 PAGE BACKWARD causes the previous record on the order to appear when you are using the order locate function. Otherwise, paging backward causes the next record in the batch to appear.

F20 DELETE RECORD deletes the data you entered on this display and all blanket detail data associated with this purchase order.

Contents	Index	Exit
--------------------------	-----------------------	----------------------

F24 DISPLAY STATUS causes the Order Entry – Purchase/Manufacture (Status) display (AMI4A12) to appear.

Fields

[?] appears next to a field name in the following field definitions to identify a field from which you can begin a master file search.

LOCATE ORDER. Type in the number of the order you want to review. When you press **Enter**, the order you requested appears. Repeat this step for all other orders you want to review. To leave the **Locate Order** function, type blanks in this field and press **Enter**.

Refer to “AMI4A2—Order Entry–Purchase (Enter)” for an explanation of the other fields on this display. You can change all the fields on this display except **ORDER NO**, **ITEM NUMBER**, **WH**, and **BLNKT**. To change these fields, you must delete the record using **F20** and enter the purchase order again.

[Contents](#)[Index](#)[Exit](#)

AMI4A3—Order Entry—Blanket Release (Enter)

Use this display to type in the quantity and date required for each blanket release of the purchase order entered on display AMI4A2.

This display appears when you answer YES in the **BLNKT** field on display AMI4A2.

```

DATE **/**/**      ORDER ENTRY - BLANKET RELEASE      ENTER      AMI4A3  **
ORDER NO  ITEM NUMBER  WH  QUANTITY  FOLLOW DATE  DUE DATE  REFERENCE
*****  *****  ***  *****  **  **/**/**  **/**/**  *****

BLNKT  PLANR  ITEM DESCRIPTION  VENDOR  VENDOR CATALOG NO  STK LOC
*  *****  *****  *****  *****  *****

CUSTOMER JOB
*****

-----

RELEASE SEQUENCE      ****

QUANTITY THIS RELEASE  nnnnnn.nnn
DUE DATE THIS RELEASE  nnnnnn

F03 PAGE BACKWARD
F17 NEW ORDER
F18 NEW ITEM
F19 RETURN TO SELECT
F24 DISPLAY STATUS

```

What to do

To enter the quantity and date for a blanket release, type in the requested information and press **Enter**. The data entered is processed. Display AMI4A3 appears again to allow entry of additional blanket releases on this purchase order.

Function keys

F03 PAGE BACKWARD places the work station into Review mode and causes the last record processed into the batch to be to appear. Review mode allows paging forward or backward through the batch and to change or delete records as required.

F17 NEW ORDER causes the Order Entry – Purchase (Enter) display (AMI4A2) to appear again showing the next sequential purchase order number so you can enter a new order.

F18 NEW ITEM causes the Order Entry – Purchase (Enter) display (AMI4A2) to appear again showing the same purchase order number so you can add a new item to the order.

F19 RETURN TO SELECT causes the Order Entry – Purchase/Manufacture (Select) display (AMI4A1) to appear again.

F24 DISPLAY STATUS causes the Order Entry – Purchase/Manufacture (Status) display (AMI4A12) to appear.

Contents	Index	Exit
--------------------------	-----------------------	----------------------

Fields

The fields above the line cannot be changed. Refer to "AMI4A2—Order Entry–Purchase (Enter)" for an explanation of these fields.

RELEASE SEQUENCE (BLKSQ). The sequence number assigned to the blanket release being processed. This field is supplied by the application.

QUANTITY THIS RELEASE (RELQT). The quantity of the item to be ordered on this release. This field is required.

DUE DATE THIS RELEASE (RELDT). The date this release is due to be in stock. This field is required.

Contents	Index	Exit
--------------------------	-----------------------	----------------------

AMI4A3R—Order Entry—Blanket Detail (Review)

Use this display to review, change, or delete blanket releases already processed into the batch using display AMI4A3.

This display appears when you select **F03 PAGE BACKWARD** on any Enter display and the record you are reviewing is a Purchase Order Blanket Release Detail record.

```

DATE **/**/**      ORDER ENTRY - BLANKET RELEASE      REVIEW      AMI4A3R **
LOCATE ORDER      aaaaaA7
ORDER NO  ITEM NUMBER  WH  QUANTITY  FOLLOW DATE  DUE DATE  REFERENCE
*****  *****  ***  *****  **/**/**  **/**/**  *****

BLNKT  PLANR  ITEM DESCRIPTION  VENDOR  VENDOR CATALOG NO  STK LOC
*      *****  *****  *****  *****  *****

CUSTOMER JOB
*****

-----

RELEASE SEQUENCE      ****

QUANTITY THIS RELEASE  nnnnnn.nnn
DUE DATE THIS RELEASE  nnnnnn

F01 RESUME ENTRY
F02 PAGE FORWARD
F03 PAGE BACKWARD
F20 DELETE RECORD
F24 DISPLAY STATUS
    
```

What to do

To change the blanket releases, type in the changes you need and press **Enter**. The record is changed. The next record shown depends on whether you page forward or backward.

Function keys

F01 RESUME ENTRY places the work station into Enter mode and causes a detail display corresponding to the last record in the order to appear. If a detail display does not apply, display (AMI4A1) appears again.

F02 PAGE FORWARD causes the next record on the order to appear when you are using the Order Locate function. Otherwise, the next record on the batch appears.

F03 PAGE BACKWARD causes the previous record on the order to appear when you are using the order locate function. Otherwise, the next record in the batch appears.

F20 DELETE RECORD deletes the blanket release displayed.

F24 DISPLAY STATUS causes the Order Entry – Purchase/Manufacture (Status) display (AMI4A12) to appear.

Contents	Index	Exit
--------------------------	-----------------------	----------------------

Fields

LOCATE ORDER. Type in the number of the order you want to review. When you press **Enter**, the order you requested appears. Repeat this step for all other orders you want to review. To leave the **Locate Order** function, type blanks in this field and press **Enter**.

The remaining fields above the line help you verify that you are working with the correct order. These fields cannot be changed and are explained under display AMI4A2.

RELEASE SEQUENCE. The sequence number assigned to the blanket release you are reviewing. You cannot change this field.

QUANTITY THIS RELEASE. The quantity of the item to be ordered on this release.

DUE DATE THIS RELEASE. The date this release is due to be in stock.

Contents	Index	Exit
--------------------------	-----------------------	----------------------

AMI4A4—Order Entry—Manufacture (Enter)

Use this display to enter summary information about a manufacturing order to be released.

This display appears when you select option 2, Manufacturing Order, on display AMI4A1.

If EPDM is activated and the warehouse of the order is associated with a site, order entry automatically assigns the primary process that is effective for the item revision based on the order's start date. You can have only one primary process effective for an item revision at a time. However, you may have alternate processes available. If you want to choose another process, use **F13** before you press **Enter** on this display to go the Select Item Process display. That display shows you the primary effective process and any alternate processes that are effective as of the order's start date.

ORDER ENTRY - MANUFACTURE										
DATE	**/**/**						ENTER	AMI4A4 **		
ORDER NO	ITEM NUMBER	WH	REVISION	QUANTITY	START DATE	DUE DATE				
aaaaaA7	aaaaaaaaaaaaA15	aA3	aaaaA6	nnnnnnn.nnn	nnnnnn	nnnnnn				
						REFERENCE	aaaaaaaA10			
B/M	RTG	PLANR	ITEM DESCRIPTION			STK LOC	PRI			
aA3	A	nnnnn	aaaaaaaaaaaaaaaaaaaaaaaaaaaaA30			aaaaaaaaaA15	aaaaaA7	A		
ORD	RSCH	CODE	ORD	ACTG	CLS	CUSTOMER JOB		IN QTY		
		n		aA3		aaaaaaaaaA12		nnnnnnn.nnn		

PAGE BACKWARD
 F13 SELECT ITEM PROCESS
 F19 RETURN TO SELECT
 F24 DISPLAY STATUS

What to do

To enter summary information about a manufacturing order, type in the requested information and press **Enter**. The data entered is processed, and the engineering drawing number, stored in the Item Master file, is added to the base order.

- If the **B/M** field contains KEY, the Order Entry – Component Detail (Enter) display (AMI4A5) appears. This allows entry of component allocations.
- If the **B/M** field contains NOW, the Order Entry – Component Availability (Enter) display (AMI4A4A) appears. This allows review of component availability for this order.
- If the **B/M** field contains REL, one of three displays appears:
 - If PC&C is not installed, display (AMI4A4) appears again. This allows entry of another manufacturing order.

Contents	Index	Exit
--------------------------	-----------------------	----------------------

- If PC&C is installed and interfacing and the **RTG** field contains NO, the Order Entry – Operation Detail (Enter) display (AMI4A6) appears. This allows entry of operation detail data.
- If PC&C is installed and interfacing and the **RTG** field contains YES, the Order Entry – Miscellaneous Detail (Enter) display (AMI4A7) appears. This allows entry of miscellaneous detail data.

Function keys

F03 PAGE BACKWARD places the work station into Review mode and causes the last record processed into the batch to appear. Review mode allows paging forward or backward through the batch and to change or delete records as required.

F13 SELECT ITEM PROCESS appears only if EPDM is activated. It causes display AMVTIP01 to appear so you can select an effective process for this item. If you do not select a particular process, the system will default to the primary process that is current for the revision on the order's start date.

If the warehouse of the order is associated with a site, order entry will automatically assign the primary process that is effective for the item revision based on the order's start date. You can only have one primary process effective at a time for an item revision; however, you may have alternate processes that are available. If you want to choose another process, use **F13** before you press **Enter** on this display or on AMI4A9 to go to a Select Item Process panel. This display will show you the primary effective process and any alternate processes that are effective as of the order's start date.

F19 RETURN TO SELECT causes the Order Entry – Purchase/Manufacture (Select) display (AMI4A1) to appear again.

F24 DISPLAY STATUS causes the Order Entry – Purchase/Manufacture (Status) display (AMI4A12) to appear.

Fields

[?] appears next to a field name in the following field definitions to identify a field from which you can begin a master file search.

ORDER NO (Manufacturing Order Number) (ORDNO). Type in an order number that begins with M and ends with zero. You must use all the positions in this field; otherwise, processing errors could occur. If you leave the field blank, the application assigns the next sequential order number.

ITEM NUMBER (FITEM) [?]. Required. Type in the number of the item to be manufactured.

WH (Warehouse Code) (FITWH). Required if you have multiple warehouses defined in the Warehouse Master file. Type in the code of the warehouse where the finished item is stored. If you have only one warehouse, the warehouse defined in the Warehouse Master file appears in this field and cannot be changed. If EPDM is activated and the warehouse has a site defined, you can enter a specific revision and select a particular process. If the site is a simulation site, you cannot enter a manufacturing order.

REVISION (ITRV) [?]. This field appears only if EPDM is activated. Type in the identifier of the revision associated with this item. If you leave the default of *CUR, it will default to the current revision once all edits have been performed. The current revision is derived based on the order start date. If there are multiple revisions and they have overlapping dates, the system looks at all revisions in descending sequence by effective from date within effective to date. Starting with the first revision in that list, it selects the first one that includes the order start date. You can create a manufacturing order for an item revision only if the implementation status for the item revision allows orders to be released.

QUANTITY (Order Quantity) (ORQTY). Required. Type in the quantity of the item to be ordered.

START DATE (SSTD). Type in the planned starting date for the manufacturing order or leave this field blank. If the field is blank, IM will calculate an order start date using MRP's quantity based lead time function. This algorithm calculates the order's lead time based on the item's fixed lead time and a variable lead time. The variable lead time is calculated in relation to the order's quantity, standard lot size, and variable lead time per standard lot. The sum of the two leads is then used to determine the order start date by offsetting from the due date. You can override the calculated date with another date or with the system date. If the start date is left blank on the order but the lead times in the Item Balance file are zero, the start date defaults to the system date. No error or warning message is given to let you know that you have no lead times. You can still override the system date to any other date if you wish.

DUE DATE (ODUDT). Required. Type in the date the manufacturing order is due to be completed and the items received into stock.

REFERENCE (Reference Number) (REFNO). Type in the user-assigned reference number to appear on any reports associated with this manufacturing order. This field can be used to compare this order with other orders.

B/M (Bill of Material). Required. The priority of release to Bill of Material. Type in one of the following codes:

NOW The components are immediately added to the manufacturing order based on the bill of material. The Order Entry – Component Availability (Enter) display (AMI4A4A) appears next so you can review the availability of each component on this order. This can be used only if PDM is installed and interfacing.

REL The components are added to the manufacturing order when the order is released. This is the default when PDM is installed and interfacing, but it can be changed to either of the other two options.

KEY The components should be entered using the Order Entry – Component Detail (Enter) display (AMI4A5). This is the default value if PDM is not installed and interfacing.

Note: If you type in NOW or REL, the component allocations are made against component inventory in the warehouse specified for the parent item ordered. If you want component allocations made from a different warehouse, you must type in KEY and enter the component allocations using the Order Entry – Component Detail (Enter) display (AMI4A5).

RTG (Routing). Required. This field defaults to N (no) and cannot be changed if PC&C and PDM are not installed and interfacing with IM.

Contents	Index	Exit
--------------------------	-----------------------	----------------------

If PC&C is installed and interfacing and you type **N** (no) in the **RTG** field, the Order Entry – Operation Detail display (AMI4A6) appears to allow entry of operation detail.

If PC&C and PDM are installed and interfacing, and you want operation detail records to be created for this order by the application using the PDM Routing file, type in **Y** (yes).

PLANR (Planner code). Type in the code that identifies the person responsible for planning replenishment strategy for this item or leave this field blank. If the field is blank, the application uses the planner code from the Item Master file.

ITEM DESCRIPTION (FDESC). Type in the description of the item, or leave this field blank. If the field is blank, the application uses the description from the Item Master file.

Note: When printing the Inventory Transaction Register (AMV3G), the application always uses the description from the Item Master file.

STK LOC (Stock Location) (FSKLC). Type in the stock location of this item, or leave this field blank. If a location is entered here, it overrides the location from the Item Balance file. If the field is blank, the application uses the location from the Item Balance file. For components used in REP, it serves as the default supply location.

PRI (Management Priority Code) (MPROR). Type in a code to give a higher priority to the operations of this order when work center dispatch lists are created in PC&C.

This number overrides the priority calculated by PC&C used to expedite the order. The higher the number, the higher the priority. For example, 9 is higher than 0 (zero), which is higher than Z, which is higher than A, which is higher than blank.

ORD RSCH CODE (Order reschedule code) (ORRC). Code used to indicate whether or not an individual manufacturing order or purchase order line item can be rescheduled automatically by the system. This field only appears if MRP is interfacing.

- 0** Default to item reschedule code. This is the default.
- 1** Cannot be rescheduled automatically
- 2** Can be scheduled out
- 3** Can be scheduled in
- 4** Can be scheduled both out and in

ORD ACTG CLS (Order Accounting Class)

CUSTOMER JOB (JOBNO). Type in the customer job or order number associated with this manufacturing order or schedule.

The number that associates this order with a particular customer order or with other manufacturing orders. If the manufacturing order has been released, the job number contains the company number, order type, and order number of the customer order from COM. Otherwise, use this field as a user-defined reference field during manufacturing order entry.

If COM is installed and interfacing with IM, a customer order number includes the company number and order type of the associated customer order.

S-NUMBER (Feature/Options Select Number) (SNMBR) [?]. Required if PDM is installed and interfacing, feature/options were selected during PDM application tailoring, and the item being ordered has feature/options. Type in the S-number.

Contents	Index	Exit
--------------------------	-----------------------	----------------------

IN QTY (In Quantity). The maximum order quantity to be started in the manufacturing process because of production limits like equipment capacity or vessel size. The in quantity is reduced by cumulative yield values in PDM to generate the order quantity you can expect at the end of the manufacturing process. This field can be used if PDM is installed and interfacing. Type in the ***IN QTY*** field value to constrain the in quantity calculated by PDM after this order is released.

AMVTIP01—Select Item Process

Use this display to select an effective process for the item associated with the order you entered on display AMI4A4.

This display appears when EPDM is activated and you select **F13 SELECT ITEM PROCESS** on the Order Entry - Manufacture display (AMI4A4) or on the Order Entry—Mfg per Customer Order display (AMI4A9).

```

AMVTIP01                Select Item Process    DATE **/**/** *****
Site . : ***            *****
Item . : *****       *****
Rev .  : *****       Effective...  **/**/**  **/**/**

Position to . . . . aaaaaaaaaaaaaaaaaaaaaaaaaaaaaaaaaA40

Type option: then press ENTER.
1=Select

View 1 of 2

Opt Pri Eff From Eff To Description

n * **/**/** **/**/** *****
n * **/**/** **/**/** *****
n * **/**/** **/**/** *****
n * **/**/** **/**/** *****
n * **/**/** **/**/** *****
n * **/**/** **/**/** *****
n * **/**/** **/**/** *****
n * **/**/** **/**/** *****

F3=Exit  F7=Backward  F8=Forward  F12=Cancel
          F20=Right
  
```

```

View 2 of 2

Opt Pri Eff From Eff To Alt BOM ID Routing ID Version

n * **/**/** **/**/** ***** *****
n * **/**/** **/**/** ***** *****
n * **/**/** **/**/** ***** *****
n * **/**/** **/**/** ***** *****
n * **/**/** **/**/** ***** *****
n * **/**/** **/**/** ***** *****
n * **/**/** **/**/** ***** *****
n * **/**/** **/**/** ***** *****

F3=Exit  F7=Backward  F8=Forward  F12=Cancel
F19=Left
  
```

What to do

Type **1** in the **Opt** field beside the process you want to assign to the item and press **Enter**. Use the **Position to** field to move to a specific item process.

[Contents](#)[Index](#)[Exit](#)

AMI4A4R—Order Entry—Manufacture (Review)

Use this display to review, change or delete any Manufacturing Order Master records processed into the batch using Enter display AMI4A4.

This display appears when you select **F03 PAGE BACKWARD** on any Enter display and the record you are reviewing is a Manufacturing Order Master record.

DATE **/**/**	ORDER ENTRY - MANUFACTURE				REVIEW	AMI4A4R **
					LOCATE ORDER	aaaaa7
ORDER NO *****	ITEM NUMBER *****	WH ***	REVISION *****	QUANTITY nnnnnnn.nnn	START DATE nnnnnn	DUE DATE nnnnnn
B/M ***	RTG *	PLANR nnnnn	ITEM DESCRIPTION		REFERENCE	aaaaaaa10
			aaaaaaaaaaaaaaaaaaaaaaaaa30		ENG DRAWING *****	STK LOC PRI aaaaa7 A
ORD	RSCH CODE	ORD	ACTG CLS	CUSTOMER JOB	S-NUMBER	IN QTY
*			aA3	aaaaaaaaA12	aaaaaaaaaaaaaaaaA18	*****,* **

PROCESS	*****					
ALT BOM ID	*****					
ROUTING ID	*****					
ROUTING VERSION	*****					
					F01 RESUME ENTRY	
					F02 PAGE FORWARD	
					F03 PAGE BACKWARD	
					F05 COMPONENT DETAIL	
					F12 CHECK AVAIL	
					F20 DELETE RECORD	
					F24 DISPLAY STATUS	

What to do

To change a manufacturing order, type in the changes you need and press **Enter**. The record is changed. The next record shown depends on whether you page forward or backward.

Function keys

F01 RESUME ENTRY places the work station into Enter mode and causes a detail display to appear that corresponds to the last record in the order. If a detail display does not apply, display (AMI4A1) appears again.

F02 PAGE FORWARD causes the next record on the order to appear when you are using the Order Locate function. Otherwise, the next record on the batch appears.

F03 PAGE BACKWARD causes the previous record on the order to appear when using the order locate function. Otherwise, the next record in the batch appears.

F05 COMPONENT DETAIL causes the Order Entry – Component Detail (Enter) display (AMI4A5) to appear.

F12 CHECK AVAIL causes the Order Entry – Component Availability (Review) display (AMI4A4AR) to appear.

Contents	Index	Exit
--------------------------	-----------------------	----------------------

F20 DELETE RECORD deletes the data you entered on this display and all component, operation, and miscellaneous detail data associated with this manufacturing order.

F24 DISPLAY STATUS causes the Order Entry – Purchase/Manufacture (Status) display (AMI4A12) to appear.

Fields

[?] appears next to a field name in the following field definitions to identify a field from which you can begin a master file search.

You can change any field on this display except **ORDER NO**, **ITEM NUMBER**, **WH**, **REVISION**, **B/M**, **RTG**, and **ENG DRAWING**. To change those fields, use **F20** to delete the record and return to the Order Entry—Manufacture (Enter) display (AMI4A4). Enter the order again with the correct fields. If EPDM is activated and you change the due date or start date, the process is re-edited to see if it is still effective on the new date.

LOCATE ORDER. Type in the number of the order you want to review. When you press **Enter**, the order you requested appears. Repeat this step for all other orders you want to review. To leave the **Locate Order** function, type blanks in this field and press **Enter**.

ENG DRAWING (ENGNO). The engineering drawing number of the item. The data in this field comes from the Item Master record and the field is informational only.

S-NUMBER (Feature/Options Select Number) (SNMBR) [?]. If PDM is installed and interfacing, feature/options were selected during PDM application tailoring, and the item being ordered has feature/options, type in the S-number. This field appears only if REL or KEY is in the **B/M** field.

If EPDM is activated, and the warehouse is associated with a site, the following fields appear in the lower part of the display:

PROCESS. The description of the process associated with this order.

ALT BOM ID. The identifier and description of the alternate bill associated with this process. If the alternate bill of material ID is blank, but a description appears, it means the process is not using an alternate bill. Instead, it is using the basic bill for the item revision.

ROUTING ID. The identifier and description of the routing associated with this process.

ROUTING VERSION. The identifier that specifies the version of the routing associated with this process.

Refer to “AMI4A4—Order Entry—Manufacture (Enter)” for an explanation of other fields on this display.

Contents	Index	Exit
--------------------------	-----------------------	----------------------

AMI4A4A—Order Entry—Component Availability (Enter)

Use this display to review availability of components for a manufacturing order that is to be released.

While reviewing the component availability display, you can change the order quantity if components are not available in sufficient quantity to fill the order. If a change is made, the required quantities for the components are recalculated and displayed to indicate component availability for the new order quantity. You have the option to either accept or reject the order either before or after the order quantity is changed. Once accepted, the components are allocated to the order. If you decide to reject the order because of component availability, the order is canceled and no file updating takes place.

If EPDM is activated, when the bill of material is exploded, the adjusted quantity per for each component is calculated, dynamically, as required from yield information stored in EPDM's Routing Header file.

This display appears when you enter NOW in the **B/M** field on display AMI4A4 or AMI4A9.

```

DATE **/**/**          ORDER ENTRY - COMPONENT AVAILABILITY ENTER      AMI4A4A **
ORDER NO  ITEM NUMBER  WH    REVISION  QUANTITY  START DATE  DUE DATE
*****  *****          ***    *****  nnnnnnn.nnn  nnnnnn    nnnnnn
                                     REFERENCE *****
B/M  RTG  PLANR  ITEM DESCRIPTION          ENG DRAWING  STK LOC  PRI
***  *    nnnnn  *****          *****          *****  *****  *

ORD RSCH CODE  ORD ACTG CLS  CUSTOMER JOB  S-NUMBER          IN QTY
*              ***          *****          *****          *****
COMPONENT ITEM  TYPE/  AVAIL TO  PEND MFG ALLOC  TOTAL
REQUIRED       REV    ALLOCATE  MFG/CUS ALLOC  ON HAND  ON ORDER
*****        *****  *****  *****  *****  *****
*****        *****  *****  *****  *****  *****
*****        *****  *****  *****  *****  *****
*****        *****  *****  *****  *****  *****
*****        *****  *****  *****  *****  *****
*****        *****  *****  *****  *****  *****
*****        *****  *****  *****  *****  *****
*****        *****  *****  *****  *****  *****
*****        *****  *****  *****  *****  *****
*****        *****  *****  *****  *****  *****
*****        *****  *****  *****  *****  *****
                                     USE ROLL UP/DOWN
                                     F08 ACCEPT ORDER
                                     F09 REJECT ORDER
    
```

What to do

To accept or reject orders, review the information and use a function key.

- To make changes, type in the information you want to change and press **Enter**.
- If you change the value in the **QUANTITY** field, this display appears again showing the recalculated component availability information.
- If you do not change the value in the **QUANTITY** field, this display appears again showing the next or previous page of components depending on whether you page forward or backward.

Function keys

ROLL UP/DOWN causes this display to appear again, showing the next or previous page of components for this manufacturing order.

F08 ACCEPT ORDER causes this manufacturing order to be accepted and one of the following to occur:

- If PC&C is installed and interfacing and the RTG field contains N (no), **F08** causes the Order Entry – Operation Detail (Enter) display (AMI4A6) to appear.
- If PC&C is installed and interfacing and the RTG field contains Y (yes), **F08** causes the Order Entry – Miscellaneous Detail (Enter) display (AMI4A7) to appear.
- If PC&C is not installed and interfacing and you are entering a manufacturing order, **F08** causes the Order Entry – Manufacture (Enter) display (AMI4A4) to appear again.
- If PC&C is not installed and interfacing, you are entering a manufacturing order per customer order, and there are more items on this customer order, pressing **F08** causes the Order Entry – Mfg Per Cust Order (Enter) display (AMI4A9) to appear.
- If PC&C is not installed and interfacing, you are entering a manufacturing order per customer order, and there are no more items on this customer order, pressing **F08** causes the Order Entry – Mfg Per Cust Order (Select) display (AMI4A11) to appear again.

F09 REJECT ORDER causes this manufacturing order to be deleted and one of the following to occur:

- If you are entering a manufacturing order, **F09** causes the Order Entry – Manufacture (Enter) display (AMI4A4) to appear again.
- If you are entering a manufacturing order per customer order and there are more items on this customer order, pressing **F09** causes the Order Entry – Mfg Per Cust Order (Enter) display (AMI4A9) to appear.
- If you are entering a manufacturing order per customer order and there are no more items on this customer order, pressing **F09** causes the Order Entry – Mfg Per Cust Order (Select) display (AMI4A11) to appear again.

Fields

See “AMI4A4—Order Entry—Manufacture (Enter)” and “AMI4A9—Order Entry—Mfg Per Cust Order (Enter)” for descriptions of fields that are not described here.

If EPDM is activated, and you change the due date or start date, the process is re-edited to see if it is still effective on the new date.

QUANTITY (Order Quantity) (ORQTY). Type in a new order quantity so the component availabilities are recalculated and appear again.

START DATE (SSTDT). Type in a new start date so the bill of material is reviewed and appears again.

DUE DATE (ODUDT). Type in a new due date to change the date by which the order must be completed.

Contents	Index	Exit
--------------------------	-----------------------	----------------------

ENG DRAWING (Engineering Drawing) (ENGNO). The engineering drawing number of the item. The data in this field comes from the Item Master record and the field is informational only.

The fields at the bottom of this display show the availability of the components for the manufacturing order you entered and cannot be changed.

COMPONENT ITEM (CITEM). The item number of a component on this manufacturing order.

REQUIRED (QTREQ). The total quantity of this component required for this manufacturing order. This field is calculated by multiplying the **ORDER QUANTITY** field value by the **QUANTITY PER** field value.

TYPE (Component Type) (ITMTP). One or two codes that identify the relationship of a component to its parent item.

If the component is identified as a feature, the numbers of the feature and the selected option appear. For example, F05 O12. However, if the option record is a phantom, F05 O12 appears instead, and the components of the phantom option record appear as O12, not C12.

If the component is a phantom, this field contains P and a sequence number. For example, P01. All the components that make up the phantom are to appear below the phantom and are identified in this field with C and the sequence number of the phantom. For example, C01.

If a component is related to a phantom and also a phantom itself (a phantom within a phantom), it appears with both designations. For example, C01 P02.

This field is blank for a component that is not related to a phantom.

REV (ITRV). The revision identifier.

AVAIL TO ALLOCATE. The quantity of this component that is available to be allocated to this manufacturing order. If there is an insufficient quantity to be allocated to this order, this field is highlighted.

Note: If the **B/M** field contains NOW, the availability of a component is reduced only once for each bill of material. A second use within the same bill of material does not reduce the availability further.

PEND MFG ALLOC (Pending Manufacturing Allocations) (MPALC). The total quantity of this component allocated to manufacturing orders ready for release, not including this order.

MFG/CUS ALLOC (Manufacturing and Customer Allocations). The total quantity of this component allocated to manufacturing and customer orders.

ON HAND (MOHTQ). The total quantity of this component presently in stock.

TOTAL ON ORDER. The total quantity of this component presently on open purchase and manufacturing orders.

Contents	Index	Exit
--------------------------	-----------------------	----------------------

AMI4A4AR—Order Entry—Component Availability (Review)

Use this display to review availability of components for a already processed manufacturing order that is to be released.

This display appears when you select **F12** on display AMI4A4R, AMI4A5R, or AMI4A9R and the **B/M** field contains NOW or KEY.

DATE **/**/**							ORDER ENTRY - COMPONENT AVAILABILITY REVIEW			AMI4A4AR **	
ORDER NO	ITEM NUMBER	WH	REVISION	QUANTITY	START DATE	DUE DATE					
*****	*****	***	*****	nnnnnnn.nnn	nnnnnn	nnnnnn					
B/M	RTG	PLANR	ITEM DESCRIPTION	ENG DRAWING	REFERENCE	STK LOC	PRI				
***	*	*****	*****	*****	*****	*****	*				
ORD RSCH CODE	ORD ACTG CLS	CUSTOMER JOB	S-NUMBER	IN QTY							
*	***	*****	*****	*****							
COMPONENT ITEM	TYPE/	AVAIL TO	PEND MFG ALLOC	TOTAL							
ASSIGNED	REV	ALLOCATE	MFG/CUS ALLOC	ON HAND	ON ORDER						
*****	*****	*****	*****	*****	*****						
*****	*****	*****	*****	*****	*****						
*****	*****	*****	*****	*****	*****						
*****	*****	*****	*****	*****	*****						
*****	*****	*****	*****	*****	*****						
*****	*****	*****	*****	*****	*****						
*****	*****	*****	*****	*****	*****						

USE ROLL UP/DOWN
 F08 ACCEPT ORDER
 F09 REJECT ORDER

What to do

To change this manufacturing order, type in the information you want to change and press **Enter**.

- If you change the value in the **QUANTITY** field, this display appears again showing the recalculated component availability information.
- If you do not change the value in the **QUANTITY** field, this display appears again showing the next or previous page of components depending on whether you page forward or backward.

Function keys

ROLL UP/DOWN causes the next or previous group of transactions in the batch to appear.

F09 END AVAILABILITY causes the display (AMI4A4R or AMI4A9R) from which you selected this display to appear again.

Fields

Refer to "AMI4A4—Order Entry—Manufacture (Enter)" or "AMI4A9—Order Entry—Mfg Per Cust Order (Enter)" and "AMI4A4A—Order Entry—Component Availability (Enter)" for an explanation of the fields on this display.

Contents	Index	Exit
--------------------------	-----------------------	----------------------

The **QUANTITY**, **START DATE**, and **DUE DATE** fields are optional. The fields at the bottom of this display show the availability of the components for the manufacturing order you entered and are only informational.

QUANTITY (Order Quantity) (ORQTY). Type in a new order quantity so the component availabilities are recalculated and appear again.

START DATE (SSTD). Type in a new start date so the bill of material is reviewed and appears again for any changes (addition or deletion of components) required due to component effectivity dates.

DUE DATE (ODUDT). Type in a new due date to change the date by which the order must be completed.

If EPDM is activated, and you change the due date or start date, the process is re-edited to see if it is still effective on the new date.

AMI4A5—Order Entry—Component Detail (Enter)

Use this display to enter component detail (bill of material) for a manufacturing order that is to be released.

This display appears when you enter KEY in the **B/M** field on display AMI4A4 or AMI4A9. It also appears when you select **F05 COMPONENT DETAIL ENTRY** on display AMI4A6 or AMI4A7.

```

DATE **/**/**          ORDER ENTRY - COMPONENT DETAIL          ENTER          AMI4A5  **
ORDER NO  ITEM NUMBER  WH    QUANTITY  START DATE  DUE DATE  REFERENCE
*****  *****
B/M  RTG  PLANR  ITEM DESCRIPTION          ENG DRAWING          STK LOC  PRI
***  *   *****  *****
CUSTOMER JOB  BACKFLUSH
*****
-----
DESCRIPTION          aaaaaaaaaaaaaaaaaaaaaA30
WAREHOUSE            aA3
SEQUENCE NUMBER     aaA4
COMPONENT            aaaaaaaaaaaaaA15
TOTAL QUANTITY       nnnnnnn.nnn
ADJ QTY PER          nnnnnnnn.nnnnnnn
STD QTY PER          nnnnnnnn.nnnnnnn
REQUIRED DATE        nnnnnnn
OPERATION USED       aaA4
FLOOR STOCK CODE <C/U>  A
BACKFLUSH CODE      *
F03 PAGE BACKWARD
F06 OPER DETAIL ENTRY
F07 MISC DETAIL ENTRY
F10 MANUFACTURE ENTRY
F19 RETURN TO SELECT
F24 DISPLAY STATUS
    
```

What to do

To enter component detail, type the information requested and press **Enter**. The data entered is processed and display AMI4A5 appears again for entry of another component.

Function keys

F03 PAGE BACKWARD places the work station into Review mode and causes the last record processed into the batch to appear. Review mode allows paging forward or backward through the batch and to change or delete records as required.

F06 OPER DETAIL ENTRY causes the Order Entry – Operation Detail (Enter) display (AMI4A6) to appear.

F07 MISC DETAIL ENTRY causes the Order Entry – Miscellaneous Detail (Enter) display (AMI4A7) to appear.

F10 MANUFACTURE ENTRY causes the Order Entry – Manufacture (Enter) display (AMI4A4) or the Order Entry – Mfg Per Cust Order (Enter) display (AMI4A9) to appear again.

F19 RETURN TO SELECT causes the Order Entry – Purchase/Manufacture (Select) display (AMI4A1) to appear again.

Contents	Index	Exit
--------------------------	-----------------------	----------------------

F24 DISPLAY STATUS causes the Order Entry – Purchase/Manufacture (Status) display (AMI4A12) to appear.

Fields

[?] appears next to a field name in the following field definitions to identify a field from which you can begin a master file search.

The data in the informational fields at the top of this display was entered on display AMI4A4 or AMI4A9 or Review display AMI4A4R or AMI4A9R, except for **ENG DRAWING**. Displays AMI4A4 and AMI4A9 have explanations for the fields except **ENG DRAWING** explained below.

ENG DRAWING (Engineering Drawing) (ENGNO). The engineering drawing number of the item. The data in this field comes from the Item Master record and the field is informational only.

DESCRIPTION (CDESC). Type in a description of the component or leave this field blank. If you leave it blank, the application uses the description from the Item Master file.

Note: When printing the Inventory Transaction Register (AMV3G), the application always uses the description from the Item Master file.

WAREHOUSE (Code) (CITWH). If you have multiple warehouses defined in the Warehouse Master file, type in the code of the warehouse where this component is stored. If you have only one warehouse, the warehouse defined in the Warehouse Master file appears in this field and cannot be changed. This field is required.

SEQUENCE NUMBER (USRSQ). Type in a sequence number to be assigned to the component when added to the Manufacturing Order Detail file.

COMPONENT (Component Item Number) (CITEM) [?]. Type in the item number of the component. This field is required.

REVISION (ITRV) [?]. This field appears only if EPDM is activated. Type in the identifier of the revision associated with this component item.

Only one of the following fields needs to be processed.

Notes:

1. If the **TOTAL QUANTITY** field is used, this is the total number of this component required for this order.
2. If the **ADJ QTY PER** field is used, the total quantity ordered of parent items (ORQTY) from the Order Entry – Manufacture (Enter) display (AMI4A4) is multiplied by the value in the **ADJ QTY PER** field to calculate the total quantity of this component item for the order.

TOTAL QUANTITY (QTREQ). Type in the total quantity of this component for this order.

ADJ QTY PER (Adjusted quantity per) (QTYPRE). The quantity (adjusted for yield) of a component required to produce a single unit of the scheduled item.

[Contents](#)[Index](#)[Exit](#)

STD QTY PER (Standard quantity per) (SQTYE). If the Backflush code is 1 (adjusted quantity per), the standard quantity per field is not used. Type in the standard quantity per of this component used in each parent item. If the Backflush code for the item on this order is 2 (standard quantity per), you can enter a standard quantity per that is different from the adjusted quantity per. When the component is backflushed, the standard quantity per will be used. If you backflush at standard, you must account for material used in excess of the standard quantity using scrap transactions. If you leave this field blank, the application sets the standard quantity per to equal the adjusted quantity per. This field is required only for controlled floor stock items with a backflush code of 2 (backflush at standard).

REQUIRED DATE (REQDT). Type in the date this component is required. If no date is given, the start date of the order (SSTDT) is used as the required date for the component.

OPERATION USED (OPRWU). Type in the number of the first operation in which this component is used.

FLOOR STOCK CODE <C/U> (FLSTK). The floor stock code. Type in one of the following codes:

blank Not floor stock
C Controlled floor stock
U Uncontrolled floor stock

BACKFLUSH (BFFL). The code that identifies whether component backflushing for controlled floor stock items is done using the component quantity adjusted for yield or the standard component quantity. This field is derived from the backflush code for the item or at the warehouse level. It cannot be changed at the order level.

1 Use adjusted quantity per to backflush.
2 Use standard quantity per to backflush.

AMI4A5R—Order Entry—Component Detail (Review)

Use this display to review, change or delete any component detail records processed into the batch using display AMI4A5.

This display appears when you select **F03 PAGE BACKWARD** on any Enter display and the record you are reviewing is a component detail record.

```

DATE **/**/**      ORDER ENTRY - COMPONENT DETAIL      REVIEW      AMI4A5R **
LOCATE ORDER      aaaaaA7
ORDER NO  ITEM NUMBER  WH  REVISION  QUANTITY  START DATE  DUE DATE
*****  *****  ***  *****  *****  *****  *****
B/M  RTG  PLANR  ITEM DESCRIPTION  ENG DRAWING  STK LOC  PRI
***  *  *****  *****  *****  *****  *****  *
CUSTOMER JOB
*****
-----
DESCRIPTION      aaaaaaaaaaaaaaaaaaaaaaaaaA30
WAREHOUSE      aA3
SEQUENCE NUMBER  aaA4
COMPONENT      aaaaaaaaaaaaaA15      REVISION      aaaaA6
TOTAL QUANTITY  nnnnnnn.nnn
ADJ QTY PER      nnnnnnn.nnnnnnn      STD QTY PER  nnnnnnn.nnnnnnn
REQUIRED DATE    nnnnnnn
OPERATION USED   aaA4
FLOOR STOCK CODE <C/U>  A
BACKFLUSH CODE   n
F01 RESUME ENTRY
F02 PAGE FORWARD
F03 PAGE BACKWARD
F05 COMPONENT DETAIL
F13 CHECK AVAIL
F20 DELETE RECORD
F24 DISPLAY STATUS
    
```

What to do

To change the component detail records, type in the information you want to change and press **Enter**. The record is changed. The next record shown depends on whether you page forward or backward.

If Total Quantity is changed, the adjusted quantity per is not recalculated based on the new value unless the entry in the adjusted quantity per field is first blanked out.

Function keys

F01 RESUME ENTRY places the work station into Enter mode and causes a detail display to appear that corresponds to the last record in the order. If a detail display does not apply, display AMI4A1 appears again.

F02 PAGE FORWARD causes the next record on the order to appear when you are using the Order Locate function. Otherwise, the next record on the batch appears.

F03 PAGE BACKWARD causes the previous record on the order to appear when you are using the order locate function. Otherwise, the next record in the batch appears.

F05 COMPONENT DETAIL causes the Order Entry – Component Detail (Enter) display (AMI4A5) to appear.

Contents	Index	Exit
--------------------------	-----------------------	----------------------

F12 CHECK AVAIL causes the Order Entry – Component Availability (Review) display (AMI4A4AR) to appear.

F20 DELETE RECORD deletes the data you entered on this display.

F24 DISPLAY STATUS causes the Order Entry – Purchase/Manufacture (Status) display (AMI4A12) to appear.

Fields

[?] appears next to a field name in the following field definitions to identify a field from which you can begin a master file search.

LOCATE ORDER. Type in the number of the order you want to review. When you press **Enter**, the order you requested appears. Repeat this step for all other orders you want to review. To leave the **Locate Order** function, type blanks in this field and press **Enter**.

The remaining fields above the line cannot be changed. They help you verify that you are reviewing, changing, or deleting component detail for the correct order. See “AMI4A4—Order Entry–Manufacture (Enter)” and “AMI4A9—Order Entry–Mfg Per Cust Order (Enter)” for an explanation of all fields except **ENG DRAWING**, explained below.

ENG DRAWING (Engineering Drawing) (ENGNO). The engineering drawing number of the item. The data in this field comes from the Item Master record and cannot be changed.

The fields below the line can be changed during review. See “AMI4A5—Order Entry–Component Detail (Enter)” for an explanation of these fields. In addition, the component detail record can be deleted using **F20**.

Contents	Index	Exit
--------------------------	-----------------------	----------------------

AMI4A6—Order Entry—Operation Detail (Enter)

Use this display to enter operation detail (routing operations) for a manufacturing order that is to be released.

If PC&C is installed and interfacing with IM, this display appears when you enter NO in the **RTG** (Routing) field on display AMI4A4 or AMI4A9 or when you select **F06 OPER DETAIL ENTRY** on display AMI4A5 or AMI4A7.

```

DATE **/**/**      ORDER ENTRY - OPERATION DETAIL      ENTER      AMI4A6  **
ORDER NO ITEM NUMBER  WH  REVISION  QUANTITY  START DATE  DUE DATE
*****  *****  ***  nnnnnn  *****  **/**/**  **/**/**
REFERENCE *****
B/M  RTG  PLANR  ITEM DESCRIPTION  ENG DRAWING  STK LOC  PRI
***  *   *****  *****  *****  *****  *****  *
CUSTOMER JOB
*****
-----
OPERATION DESCRIPTION  aaaaaaaaaaaaaaaaaA20
OPERATION SEQUENCE NO aaA4      FACILITY ID  aaaA5
STD SETUP LABOR TIME  nnn.nn   SETUP CREW SIZE  nn
STD LABOR TIME/UNIT   nnnnn.nn TIME BASIS CODE  A
STD MACHINE TIME/UNIT nnnnn.nn  OUTSIDE COST  nnnnnnnn.nnnnnnnn
MOVE TIME IN DAYS    nn.nn
TOOL                  aaaaA6
PROCESS SHEET NO     aaaaA6
REWORK                A
CURRENT YIELD        n.nnn
F03 PAGE BACKWARD
F05 COMPONENT DETAIL ENTRY
F07 MISC DETAIL ENTRY
F10 MANUFACTURE ENTRY
F11 ADDL DESCRIPTION ENTRY
F12 MILESTONE GROUP ENTRY
F19 RETURN TO SELECT
F24 DISPLAY STATUS
    
```

What to do

To enter operation detail, type in the requested information and press **Enter**. The data entered is processed and display AMI4A6 appears again for entry of another operation.

Function keys

F03 PAGE BACKWARD places the work station into Review mode and causes the last record entered into the batch to appear. Review mode allows you to page forward or backward through the batch and to change or delete records as required.

F05 COMPONENT DETAIL ENTRY causes the Order Entry – Component Detail (Enter) display (AMI4A5) to appear.

F07 MISC DETAIL ENTRY causes the Order Entry – Miscellaneous Detail (Enter)display (AMI4A7) to appear.

F10 MANUFACTURE ENTRY causes the Order Entry – Manufacture (Enter) display (AMI4A4) or the Order Entry – Mfg Per Cust Order (Enter) display (AMI4A9) to appear again.

Contents	Index	Exit
--------------------------	-----------------------	----------------------

F11 ADDL DESCRIPTION ENTRY causes the Order Entry – Operation Detail Additional Description (Enter) display (AMI4A13) to appear.

F12 MILESTONE GROUP ENTRY causes the Order Entry – Milestone Group Define/Remove display (AMI4A15) to appear. This function key is valid only if PC&C is installed and interfacing with IM.

F19 RETURN TO SELECT causes the Order Entry – Purchase/Manufacture (Select) display (AMI4A1) to appear again.

F24 DISPLAY STATUS causes the Order Entry – Purchase/Manufacture (Status) display (AMI4A12) to appear.

Fields

[?] appears next to a field name in the following field definitions to identify a field from which you can begin a master file search.

The remaining fields above the line cannot be changed. They help you verify that you are reviewing, changing, or deleting component detail for the correct order. See “AMI4A4—Order Entry—Manufacture (Enter)” and “AMI4A9—Order Entry—Mfg Per Cust Order (Enter)” for an explanation of all fields except **ENG DRAWING**, explained below.

ENG DRAWING (Engineering Drawing) (ENGNO). The engineering drawing number of the item. The data in this field comes from the Item Master record and cannot be changed.

For outside operations, you can type in an operation description, an operation sequence number, a move time, a facility identification, a time basis code of C, and the outside cost amount.

OPERATION DESCRIPTION (OPDSC). Required. Type in a description of this manufacturing operation.

OPERATION SEQUENCE NO (OPSEQ). Type in the number that defines the sequence in which the operations are to be listed and shown. Any character except blank is valid, but it is recommended that you use numbers in increments of 10s (for example, 0010, 0020, 0030) for the first, second, and third operations, respectively.

FACILITY ID (WKCTR) [?]. Required. Type in the identification code of the production facility (area) where this operation is performed. A production facility can be a single machine, a group of machines, or a cost center.

STD SETUP LABOR TIME (SSLHU). The time required to set up the operation.

- If the time basis code is other than M or C, type in the total number of labor hours required to set up the operation.
- If the time basis code is M, type in the total number of labor minutes required to set up the operation.
- If the time basis code is C, this field is not used.

SETUP CREW SIZE (SETCS). Type in the number of people required to perform the setup for this operation.

Contents	Index	Exit
-----------------	--------------	-------------

Note: The standard machine setup time and the elapsed time for setting up an operation are calculated in PC&C by dividing the setup crew size into the standard setup labor time when the setup crew size is not blank or 0. If the setup crew size is blank or 0, the setup machine hours then equal 0.

STD LABOR TIME/UNIT (SRLHU). The run time for a unit.

- If the time basis code is blank, 1 through 4, or H, type in the standard run labor hours per production unit.
- If the time basis code is M, type in the standard run labor minutes per production unit.
- If the time basis code is P, type in the number of pieces that can be produced per hour.

PC&C uses these values to develop either a standard run labor time in hours or minutes for inside operations or a run labor cost for outside operations.

TIME BASIS CODE (TBCDE). This code is used in PC&C to adjust the standard setup labor time and standard labor and/or standard machine times per unit. Type in one of the following:

blank	Hours per unit
C	Cost per piece
H	Hours per lot
M	Minutes per piece
P	Pieces per hour
1	Hours per 10 units
2	Hours per 100 units
3	Hours per 1,000 units
4	Hours per 10,000 units

STD MACHINE TIME/UNIT (SRMHU). The machine time required for a unit.

- If the time basis code is other than M or P, type in the standard run machine hours per unit.
- If the time basis code is M, type in the standard run machine minutes per unit.
- If the time basis code is P, type in the number of pieces that can be produced per hour. This value is adjusted in PC&C to develop the standard run machine time for an operation.
- If the time basis code is C, this field is not used.

Note: For the load/scheduling of a production facility, the prime load code (from PDM's Production Facility file) defines which of the setup, labor, or machine hours to use. If you enter all three fields, all are used for the job costing routines. However, only those fields specified for prime load are used for shop scheduling.

OUTSIDE COST (MOVTM). Type in the cost per price charged by the vendor to produce the item. This field is used for time basis code of C.

MOVE TIME IN DAYS (MOVTM). Type in the total time in days it takes to move the manufactured item from the previous operation to this operation. If the time basis code is C, type in the number of days required for the outside operation.

TOOL (Tool Number) (TOOLS). Type in the user-assigned number of any special tool used in this operation. This field is used for printing only.

Contents	Index	Exit
--------------------------	-----------------------	----------------------

PROCESS SHEET NO (PRONO). Type in the user-assigned number of any process sheet to be referenced.

REWORK (Rework Flag) (REWRK). Type in **Y** (yes) if this is a rework operation. Otherwise, accept the default of **N** (no). This field is printed only and does not affect any calculations.

CURRENT YIELD (CYTOP). A percentage that represents the expected amount of the parent item that remains in the production process at the end of an operation relative to the amount available at the start of the operation. The default is 1.000 (100%).

This percentage is used for current costing, scheduling, and materials requirements.

[Contents](#)[Index](#)[Exit](#)

AMI4A6R—Order Entry—Operation Detail (Review)

Use this display to review and, if needed, to change or delete any operation detail records entered into the batch using display AMI4A6.

This display appears when you select **F03 PAGE BACKWARD** on any Enter display and the record you are reviewing is a manufacturing operation detail record.

```

DATE **/**/**      ORDER ENTRY - OPERATION DETAIL      REVIEW      AMI4A6R **
LOCATE ORDER      aaaaaA7
ORDER NO ITEM NUMBER  WH  REVISION  QUANTITY  START DATE  DUE DATE
*****  *****  ***  *****  *****  **/**/**  **/**/**
REFERENCE *****
B/M  RTG  PLANR  ITEM DESCRIPTION  ENG DRAWING  STK LOC  PRI
***  *  *****  *****  *****  *****  *
CUSTOMER JOB
*****
-----
OPERATION DESCRIPTION  aaaaaaaaaaaaaaaaaA20
OPERATION SEQUENCE NO  ****          FACILITY ID      aaaA5
STD SETUP LABOR TIME   nnn.nn        SETUP CREW SIZE  nn
STD LABOR TIME/UNIT    nnnnn.nn      TIME BASIS CODE  A
STD MACHINE TIME/UNIT  nnnnn.nn      OUTSIDE COST     nnnnnnnnn.nnnnnnn
MOVE TIME IN DAYS      nn.nn
TOOL                   aaaaA6
PROCESS SHEET NO       aaaaA6
REWORK                 A
CURRENT YIELD          n.nnn
F01 RESUME ENTRY
F02 PAGE FORWARD
F03 PAGE BACKWARD
F11 ADDL DESCRIPTION ENTRY
F12 MILESTONE GROUP ENTRY
F20 DELETE RECORD
F24 DISPLAY STATUS

```

What to do

To change operation detail, type in the information you want to change and press **Enter**. The record is changed. The next record to appear depends on whether you page forward or backward.

Function keys

F01 RESUME ENTRY places the work station into Enter mode and causes a detail display to appear that corresponds to the last record in the order. If a detail display does not apply, display AMI4A1 appears again.

F02 PAGE FORWARD causes the next record on the order to appear when you are using the Order Locate function. Otherwise, **F02** causes the next record on the batch to appear.

F03 PAGE BACKWARD causes the previous record on the order to appear when you are using the order locate function. Otherwise, **F03** causes the next record in the batch to appear.

F11 ADDL DESCRIPTION ENTRY causes the Order Entry – Operation Detail Additional Description (Enter) display (AMI4A13) to appear.

Contents	Index	Exit
--------------------------	-----------------------	----------------------

F12 MILESTONE GROUP ENTRY causes the Order Entry – Milestone Group Define/Remove display (AMI4A15) to appear. This function key is valid only if PC&C is installed and interfacing with IM.

F20 DELETE RECORD deletes the data you entered on this display.

F24 DISPLAY STATUS causes the Order Entry – Purchase/Manufacture (Status) display (AMI4A12) to appear.

Fields

[?] appears next to a field name in the following field definitions to identify a field from which you can begin a master file search.

LOCATE ORDER. Type in the number of the order you want to review. When you press **Enter**, the order you requested appears. Repeat this step for all other orders you want to review. To leave the **Locate Order** function, type blanks in this field and press **Enter**.

The remaining fields above the line cannot be changed. They help you verify that you are reviewing, changing, or deleting component detail for the correct order. These fields are explained under displays AMI4A4 and AMI4A9 except **ENG DRAWING**, explained below.

ENG DRAWING (Engineering Drawing) (ENGNO). The engineering drawing number of the item. The data in this field comes from the Item Master record and cannot be changed.

The fields below the line can be changed during review except **OPERATION SEQUENCE NO** field. Refer to “AMI4A6—Order Entry–Operation Detail (Enter)” for an explanation of these fields. In addition, the entire operation detail record can be deleted using **F20**.

AMI4A7—Order Entry—Miscellaneous Detail (Enter)

Use this display to enter miscellaneous cost detail for a manufacturing order that is to be released.

If PC&C is installed and interfacing, this display appears when you enter REL in the **B/M** field and YES in the **RTG** field on display AMI4A4 or AMI4A9 or when you select **F07 MISC DETAIL ENTRY** on display AMI4A5 or AMI4A6.

```

DATE **/**/**      ORDER ENTRY - MISCELLANEOUS DETAIL      ENTER      AMI4A7  **
ORDER NO ITEM NUMBER      WH  REVISION      QUANTITY  START DATE  DUE DATE
*****  *****          ***  *****  *****.* **  **/**/**  **/**/**
                                     REFERENCE *****
B/M  RTG  PLANR  ITEM DESCRIPTION      ENG DRAWING  STK LOC  PRI
***  *   *****  *****          *****
CUSTOMER JOB
*****
-----
MISC DESCRIPTION      aaaaaaaaaaaaaaaaaA20
MISC DETAIL NO        aaaaaaaaaaaaaA15
QUANTITY REQUIRED/UNIT      nnnnnnn.nnnn
ANTICIPATED COST/UNIT      nnnnnnnnnn.nnnnnnnn
FIXED QUANTITY REQUIRED      nnnnnnn.nnn
ANTICIPATED FIXED COST      nnnnnnnnnn.nn

F03 PAGE BACKWARD
F05 COMPONENT DETAIL ENTRY
F06 OPER DETAIL ENTRY
F10 MANUFACTURE ENTRY
F19 RETURN TO SELECT
F24 DISPLAY STATUS
    
```

What to do

To enter miscellaneous cost detail, type in the requested information and press **Enter**. The data entered is processed and display AMI4A7 appears again for entry of another miscellaneous charge.

Function keys

F03 PAGE BACKWARD places the work station into Review mode and causes the last record entered into the batch to appear. Review mode allows you to page forward or backward through the batch and to change or delete records as required.

F05 COMPONENT DETAIL ENTRY causes the Order Entry – Component Detail (Enter) display (AMI4A5) to appear.

F06 OPER DETAIL ENTRY causes the Order Entry – Operation Detail (Enter) display (AMI4A6) to appear.

F10 MANUFACTURE ENTRY causes the Order Entry – Manufacture (Enter) display (AMI4A4) or the Order Entry – Mfg Per Cust Order (Enter) display (AMI4A9) to appear again.

Contents	Index	Exit
-----------------	--------------	-------------

F19 RETURN TO SELECT causes the Order Entry – Purchase/Manufacture (Select) display (AMI4A1) to appear again.

F24 DISPLAY STATUS causes the Order Entry – Purchase/Manufacture (Status) display (AMI4A12) to appear.

Fields

The fields above the line cannot be changed. They help you verify that you are reviewing, changing, or deleting component detail for the correct order. See “AMI4A4—Order Entry–Manufacture (Enter)” and “AMI4A9—Order Entry–Mfg Per Cust Order (Enter)” for an explanation of the fields on this display, except **ENG DRAWING**, explained below.

ENG DRAWING (Engineering Drawing) (ENGNO). The engineering drawing number of the item. The data in this field comes from the Item Master record and cannot be changed.

MISC DESCRIPTION (MDESC). Type in a description of this miscellaneous cost.

MISC DETAIL NO (MITNO). Type in the sequence number (user-assigned) of this miscellaneous charge. This field is required.

QUANTITY REQUIRED/UNIT (MUQTY)

ANTICIPATED COST/UNIT (MUCST)

FIXED QUANTITY REQUIRED (MSQTY)

ANTICIPATED FIXED COST (MSCST). These fields are optional. They are used in calculating the standard quantity and standard cost for a miscellaneous charge. If you enter the **QUANTITY REQUIRED/UNIT** and **ANTICIPATED COST/UNIT**, the **FIXED QUANTITY REQUIRED (standard quantity)** and **ANTICIPATED FIXED COST (standard cost)** are calculated. If you enter the **FIXED QUANTITY REQUIRED** and **ANTICIPATED FIXED COST**, the **QUANTITY REQUIRED/UNIT** and **ANTICIPATED COST/UNIT** are calculated.

It is not necessary to enter all four fields at the same time. Refer to the following equations:

If the value in the **FIXED QUANTITY REQUIRED** field is blank and the value in the **QUANTITY REQUIRED/UNIT** field is not blank, then:

$$\text{FIXED QUANTITY REQUIRED} = \text{QUANTITY REQUIRED/UNIT} \times \text{Order Quantity}$$

(or $\text{MSQTY} = \text{MUQTY} \times \text{ORQTY}$).

If the value in the **QUANTITY REQUIRED/UNIT** field is blank and the value in the **FIXED QUANTITY REQUIRED** field is not blank, then:

$$\text{QUANTITY REQUIRED/UNIT} = \text{FIXED QUANTITY REQUIRED} / \text{Order Quantity}$$

(or $\text{MUQTY} = \text{MSQTY} / \text{ORQTY}$).

If the value in the **ANTICIPATED FIXED COST** field is blank and the value in the **ANTICIPATED COST/UNIT** field is not blank, then:

$$\text{ANTICIPATED FIXED COST} = \text{ANTICIPATED COST/UNIT} \times \text{FIXED QUANTITY REQUIRED}$$

(or $\text{MSCST} = \text{MUCST} \times \text{MSQTY}$).

Contents	Index	Exit
--------------------------	-----------------------	----------------------

If the value in the **ANTICIPATED COST/UNIT** field is blank and the value in the **ANTICIPATED FIXED COST** field is not blank, then:

ANTICIPATED COST/UNIT = ANTICIPATED FIXED COST / FIXED QUANTITY REQUIRED
(or MUCST = MSCST / MSQTY).

AMI4A7R—Order Entry—Miscellaneous Detail (Review)

Use this display to review and, if needed, to change or delete any miscellaneous detail records entered into the batch using display AMI4A7.

This display appears when you select **F03 PAGE BACKWARD** on any Enter display and the record you are reviewing is a miscellaneous cost detail record.

```

DATE **/**/**      ORDER ENTRY - MISCELLANEOUS DETAIL REVIEW      AMI4A7R **
                                LOCATE ORDER      AAAAAAA
ORDER NO  ITEM NUMBER  WH  REVISION  QUANTITY  START DATE  DUE DATE
*****  *****  ***  *****  *****  **/**/**  **/**/**
                                REFERENCE *****
B/M  RTG  PLANR  ITEM DESCRIPTION  ENG DRAWING  STK LOC  PRI
***  *  *****  *****  *****  *****  *****  *
CUSTOMER JOB
*****
-----
MISC DESCRIPTION          aaaaaaaaaaaaaaaaaA20
MISC DETAIL NO           *****
QUANTITY REQUIRED/UNIT     nnnnnnn.nnnn
ANTICIPATED COST/UNIT    nnnnnnnnnn.nnnnnnnn
FIXED QUANTITY REQUIRED   nnnnnnn.nnn
ANTICIPATED FIXED COST   nnnnnnnnnn.nn

                                F01 RESUME ENTRY
                                F02 PAGE FORWARD
                                F03 PAGE BACKWARD
                                F20 DELETE RECORD
                                F24 DISPLAY STATUS
    
```

What to do

To change miscellaneous detail records, type in the information you want to change and press **Enter**. The record is changed. The next record to appear depends on whether you page forward or backward.

Note: Except for the **MISC DETAIL NO** field, you can change any field entered on display AMI4A7. Refer to "AMI4A7—Order Entry—Miscellaneous Detail (Enter)" for an explanation of these fields. To change the **MISC DETAIL NO** field, you must use **F20 DELETE RECORD** and then return to display AMI4A7 using **F01 RESUME ENTRY** to reenter the correct number.

Function keys

F01 RESUME ENTRY places the work station into Enter mode and causes a detail display to appear that corresponds to the last record in the order. If a detail display does not apply, display AMI4A1 appears again.

F02 PAGE FORWARD causes the next record on the order to appear when you are using the Order Locate function. Otherwise, **F02** causes the next record on the batch to appear.

F03 PAGE BACKWARD causes the previous record on the order to appear when you are using the order locate function. Otherwise, **F03** causes the next record in the batch to appear.

F20 DELETE RECORD deletes the data you entered on this display.

Contents	Index	Exit
--------------------------	-----------------------	----------------------

F24 DISPLAY STATUS causes the Order Entry – Purchase/Manufacture (Status) display (AMI4A12) to appear.

Fields

LOCATE ORDER. Type in the number of the order you want to review. When you press **Enter**, the order you requested appears. Repeat this step for all other orders you want to review. To leave the **Locate Order** function, type blanks in this field and press **Enter**.

The remaining fields above the line cannot be changed. They help you verify that you are reviewing, changing, or deleting miscellaneous detail for the correct order. These fields are explained under displays AMI4A4 and AMI4A9 except **ENG DRAWING** explained below.

ENG DRAWING (Engineering Drawing) (ENGNO). The engineering drawing number of the item. The data in this field comes from the Item Master record and cannot be changed.

The fields below the line can be changed during review except **MISC DETAIL NO.** Refer to “AMI4A7—Order Entry–Miscellaneous Detail (Enter)” for an explanation of these fields. In addition, the component detail record can be deleted using **F20**.

AMI4A8—Order Entry—Manufacture Split (Enter)

Use this display to enter the detail information for splitting a manufacturing order.

This display appears when you enter a valid manufacturing order number on the Order Entry – Manufacture Split (Select) display (AMI4A10).

```

DATE **/**/**      ORDER ENTRY - MANUFACTURE SPLIT      ENTER      AMI4A8  **
-----
----- BASE ORDER -----
ORDER NO  ITEM NUMBER  WH REVISION  QUANTITY  START DATE  DUE DATE
*****  *****  ***  *****  *****.*  **/**/**  **/**/**

                QUANTITY OPEN  NO OF OPS  NO OF COMPLETE OPS
                *****.*  ***  ***

----- SPLIT ORDER -----
ORDER NO  ITEM NUMBER  WH REVISION  QUANTITY  START DATE  DUE DATE
*****  *****  ***  *****  nnnnnnn.nnn  nnnnnn  nnnnnn
                REFERENCE  aaaaaaaA10
SPLIT OP  PLANR  ITEM DESCRIPTION  ENG DRAWING  STK LOC  PRI
aaA4  nnnnn  aaaaaaaaaaaaaaaaaaaaaaaaaA30  *****  aaaaaA7  A

ORD RSCH CODE  CUSTOMER JOB
n  aaaaaaaaaA12

                F03 PAGE BACKWARD
                F19 RETURN TO SELECT
                F24 DISPLAY STATUS
    
```

What to do

To enter the information for splitting the order, type in the requested information and press **Enter**. The data entered is processed and the Order Entry – Manufacture Split (Select) display (AMI4A10) appears again.

Function keys

F03 PAGE BACKWARD places the work station into Review mode and causes the last record entered into the batch to appear. Review mode allows you to page forward or backward through the batch and to change or delete records as required.

F19 RETURN TO SELECT causes the Order Entry – Purchase/Manufacture (Select) display (AMI4A1) to appear again.

F24 DISPLAY STATUS causes the Order Entry – Purchase/Manufacture (Status) display (AMI4A12) to appear.

Fields

The top of this display contains information from the base order that is to be split. These fields are informational only.

ORDER NO (ORDNO). The number assigned to the base manufacturing order.

ITEM NUMBER (FITEM). The number of the item to be manufactured.

Contents	Index	Exit
--------------------------	-----------------------	----------------------

WH (Warehouse Code) (FITWH). The code of the warehouse where the item is stored.

REVISION (ITRV). This field appears if EPDM is activated. The identifier of the revision associated with the item in the base order.

QUANTITY (ORQTY). The quantity of the item in the base order.

START DATE (SSTDT). The starting date for work on the base order.

DUE DATE (ODUDT). The date that the base order is due to be completed and the items received into stock.

QUANTITY OPEN. The quantity of the item remaining open on this base order.

NO OF OPS (NOOPS). The total number of operations in the base order.

NO OF COMPLETE OPS (NCOPS). The total number of operations in the base order that have been completed.

The bottom of this display contains information related to the split order you are entering.

ITEM NUMBER, WH, and ENG DRAWING are repeated from the base order and cannot be changed. The remaining fields are optional except **QUANTITY**. The **SPLIT OP** field appears only if PC&C is installed and interfacing.

ORDER NO. The base order number with position 7 changed to the sequence number of the split instead of 0. For example, the first split order for base order M004590 is M004591.

ITEM NUMBER (FITEM). The number of the item to be manufactured.

WH (Warehouse Code) (FITWH). The code of the warehouse where the item is stored.

REVISION (ITRV). This field appears if EPDM is activated. The identifier of the revision associated with the item in the split order.

QUANTITY. Type in the quantity of the item to be assigned to the split order.

START DATE. Type in the starting date for work on the split order. If you leave this field blank, the application calculates a starting date. If the due date is entered without a start date, a start date will be calculated using MRP's quantity based lead time algorithm.

DUE DATE. Type in the date that the split order is due to be completed and the items received into stock. In review mode, if due date or start date changes, the process is re-edited to make sure it is still effective.

REFERENCE (Reference Number) (REFNO). The reference number to appear on any reports associated with this split manufacturing order. This field can be used to relate this order with other orders.

Contents	Index	Exit
--------------------------	-----------------------	----------------------

SPLIT OP (Split Operation). Type in the operation on which the split is to start. A split order should be created starting from the first or current operation. Creating a split order that starts with a later operation introduces inaccuracies into scheduling priorities and the work load calculated in PC&C.

If you are splitting an order that uses milestone operation group reporting, do not start the split within the milestone group. You can, however, start the split at a milestone start operation, provided that operation is the current operation.

PLANR (Planner Code) (PLANN). The code that identifies the person responsible for planning the replenishment strategy for the item on the split order.

ITEM DESCRIPTION (FDESC). The description of the finished item. If you leave the field blank, the application uses the description from the Item Master file.

ENG DRAWING (ENGNO). The item's engineering drawing number. This field originally comes from the Item Master record and is informational only.

STK LOC (Stock Location) (FSKLC). The stock location of this item. For components used in REP, it serves as the default supply location.

PRI (Management Priority Override) (MPROR). A code to give a higher priority to the operations of this order when work center dispatch lists are created in PC&C.

This number overrides the priority calculated by PC&C used to expedite the order. The higher the number, the higher the priority. For example, 9 is higher than 0 (zero), which is higher than Z, which is higher than A, which is higher than blank.

ORD RSCH CODE (Order reschedule code) (ORRC). Code used to indicate whether or not an individual manufacturing order or purchase order line item can be rescheduled automatically by the system. This field appears only if MRP is interfacing.

- 0** Default to item reschedule code. This is the default.
- 1** Cannot be rescheduled automatically
- 2** Can be scheduled out
- 3** Can be scheduled in
- 4** Can be scheduled both out and in

CUSTOMER JOB (JOBNO). The customer job or order number associated with this manufacturing order or schedule.

The number that associates this order with a particular customer order or with other manufacturing orders. If the manufacturing order has been released, the job number contains the company number, order type, and order number of the customer order from COM. Otherwise, use this field as a user-defined reference field during manufacturing order entry.

If COM is installed and interfacing with IM, a customer order number includes the company number and order type of the associated customer order.

[Contents](#)[Index](#)[Exit](#)

AMI4A8R—Order Entry—Manufacture Split (Review)

Use this display to review and, if needed, to change or delete any split order records entered into the batch using display AMI4A8.

This display appears when you select **F03 PAGE BACKWARD** on any Enter display and the record you are reviewing is a manufacturing order summary record created from a manufacturing order split.

DATE **/**/**	ORDER ENTRY - MANUFACTURE SPLIT				REVIEW	AMI4A8R **	
					LOCATE ORDER	aaaaaA7	
----- BASE ORDER -----							
ORDER NO	ITEM NUMBER	WH	REVISION	QUANTITY	START DATE	DUE DATE	
*****	*****	***	*****	*****	*****	*****	
				QUANTITY OPEN	NO OF OPS	NO OF COMPLETE OPS	
				*****	***	***	
----- SPLIT ORDER -----							
ORDER NO	ITEM NUMBER	WH	REVISION	QUANTITY	START DATE	DUE DATE	
*****	*****	***	*****	nnnnnn.nnn	nnnnnn	nnnnnn	
						REFERENCE aaaaaaA10	
SPLIT OP	PLANR	ITEM DESCRIPTION			ENG DRAWING	STK LOC	PRI
aaA4	nnnnn	aaaaaaaaaaaaaaaaaaaaaaaaA30			*****	aaaaaA7	A
ORD RSCH CODE	CUSTOMER JOB						
n	aaaaaaaaA12						
					F01 RESUME ENTRY		
					F02 PAGE FORWARD		
					F03 PAGE BACKWARD		
					F20 DELETE RECORD		
					F24 DISPLAY STATUS		

What to do

To change the split order records, type the information you want to change and press **Enter**. The record is changed. The next record to appear depends on whether you page forward or backward.

Function keys

F01 RESUME ENTRY places the work station into Enter mode and causes a detail display to appear that corresponds to the last record in the order. If a detail display does not apply, display AMI4A1 appears again.

F02 PAGE FORWARD causes the next record on the order to appear when you are using the Order Locate function. Otherwise, **F02** causes the next record on the batch to appear.

F03 PAGE BACKWARD causes the previous record on the order to appear when you are using the order locate function. Otherwise, **F03** causes the next record in the batch to appear.

F20 DELETE RECORD deletes the data you entered on this display.

Contents	Index	Exit
--------------------------	-----------------------	----------------------

F24 DISPLAY STATUS causes the Order Entry – Purchase/Manufacture (Status) display (AMI4A12) to appear.

Fields

LOCATE ORDER. Type in the number of the order you want to review. When you press **Enter**, the order you requested appears. Repeat this step for all other orders you want to review. To leave the **Locate Order** function, type blanks in this field and press **Enter**.

The remaining fields above the split order line cannot be changed. They help you verify that you are reviewing, changing, or deleting manufacturing splits for the correct order.

You can change the fields below the line except **ORDER NO.**, **ITEM NUMBER**, **WH**, **REVISION**, and **ENG DRAWING**. Refer to “AMI4A8—Order Entry–Manufacture Split (Enter)” for an explanation of the fields on this display. In addition, the entire split order record can be deleted using **F20**.

Contents	Index	Exit
--------------------------	-----------------------	----------------------

AMI4A9—Order Entry—Mfg Per Cust Order (Enter)

Use this display to review customer order line items and, if desired, to create a manufacturing order for the line item.

This display appears when you select a valid customer order on the Order Entry – Mfg Per Cust Order (Select) display (AMI4A11).

```

DATE **/**/**      ORDER ENTRY - MFG PER CUST ORDER      ENTER      AMI4A9  **
ORDER NO  ITEM NUMBER      WH REVISION  QUANTITY  START DATE  DUE DATE
aaaaaA7  *****          *** nnnnnn  nnnnnnn.nnn  nnnnnn  nnnnnn

B/M  RTG  PLANR  ITEM DESCRIPTION      STK LOC  PRI
aA3  A    nnnnn  aaaaaaaaaaaaaaaaaaaaaaA30  aaaaaA7  A

RSCH CODE ACTG CLS  CUSTOMER JOB  ITEM SEQ.  RELEASE  KIT SEQ.  REFERENCE
a          aA3  *****          *****          *****          *****  aaaaaaA10

S-NUMBER      CONFIG
*****          *

F03 PAGE BACKWARD
F13 SELECT ITEM PROCESS
F16 BYPASS ITEM
F19 RETURN TO SELECT
F24 DISPLAY STATUS
    
```

What to do

To create a manufacturing order, type in the requested information and press **Enter**. The data entered is processed, and the engineering drawing number, stored in the Item Master file, is added to the base order.

- If the **B/M** field contains KEY, the Order Entry—Component Detail (Enter) display (AMI4A5) appears to allow entry of component material detail allocations.
- If the **B/M** field contains NOW, the Order Entry—Component Availability (Enter) display (AMI4A4A) appears to allow review of component availability for this order.
- If the **B/M** field contains REL, one of these displays appears:
 - If PC&C is not installed and interfacing, display AMI4A9 appears again to let you enter another manufacturing order.
 - If PC&C is installed and interfacing and the **RTG** field contains NO, the Order Entry—Operation Detail (Entry) display (AMI4A6) appears to let you enter operation detail data.
 - If PC&C is installed and interfacing and the **RTG** field contains YES, the Order Entry—Miscellaneous Detail (Enter) display (AMI4A7) appears to let you enter miscellaneous detail data.

Note: When **F04 MANUFACTURE ENTRY** is selected on AMI4A5, AMI4A6, or AMI4A7, display AMI4A9 appears again if you want to create more manufacturing

Contents	Index	Exit
-----------------	--------------	-------------

orders. If you do not want to create more manufacturing orders, display AMI4A11 appears.

Function keys

F03 PAGE BACKWARD places the work station into Review mode and causes the last record entered into the batch to appear. Review mode allows you to page forward or backward through the batch and to change or delete records as required.

F13 SELECT ITEM PROCESS appears only if EPDM is activated. It causes display AMVTIP01 to appear so you can select an effective process for this item. If you don't select a particular process, the system will default to the primary process that is current for the revision on the order's start date.

If the warehouse of the order is associated with a site, order entry will automatically assign the primary process that is effective for the item revision based on the order's start date. You can only have one primary process effective at a time for an item revision; however, you may have alternate processes that are available. If you want to choose another process, use **F13** before you press **Enter** on this display or on AMI4A9 to go to a Select Item Process panel. This display will show you the primary effective process and any alternate processes that are effective as of the order's start date.

F16 BYPASS ITEM causes the data shown to not be processed. Display AMI4A9 appears again with the next order to be created for this customer order. If there are no more orders to be created for this customer order, the Order Entry – Mfg Per Cust Order (Select) display (AMI4A11) appears.

F19 RETURN TO SELECT causes the Order Entry – Purchase/Manufacture (Select) display (AMI4A1) to appear again.

F24 DISPLAY STATUS causes the Order Entry – Purchase/Manufacture (Status) display (AMI4A12) to appear.

Fields

ORDER NO (Manufacturing Order Number) (ORDNO). Type in an order number that begins with M and ends with zero. You must use all the positions in this field; otherwise, processing errors could occur. If you leave the field blank, the application assigns the next sequential order number.

ITEM NUMBER (FITEM). The number of the item to be manufactured.

WH (Warehouse Code) (FITWH). ID of the warehouse receiving this item after production is complete. If EPDM is activated and the warehouse has a site defined, you can enter a specific revision and select a particular process. If the site is a simulation site, you cannot enter a manufacturing order.

REVISION (ITRV). This field appears if EPDM is activated. Type the identifier of the revision associated with the item. If you leave the default of *CUR, it will default to the current revision once all edits have been performed. The current revision is derived based on the order start date. If there are multiple revisions and they have overlapping dates, the system looks at all revisions in descending sequence by effective-from date within effective-to date. Starting with the first revision in that list, it selects the first one that includes the order start date. You can create a

Contents	Index	Exit
--------------------------	-----------------------	----------------------

manufacturing order for an item revision only if the implementation status for the item revision allows orders to be released. If the item is an S-numbered item or a configured item, you cannot make an entry in the field. This field is protected.

QUANTITY (Order Quantity) (ORQTY). Required. The quantity of the item to be manufactured. The amount that appears is from the customer order and can be changed.

START DATE (SSTD). Type in a starting date for the manufacturing order or leave this field blank. If the field is blank, IM calculates an order start date using MRP's quantity-based lead time function. This algorithm calculates the order's lead time based on the item's fixed lead time and a variable lead time. The variable lead time is calculated in relation to the order's quantity, standard lot size, and variable lead time per standard lot. The sum of the two leads is then used to determine the order start date by offsetting from the due date. You can override the calculated date with another date or with the system date. If the start date is left blank on the order but the lead times in the Item Balance file are zero, the start date defaults to the system date. No error or warning message is given to let you know that you have no lead times. You can still override the system date to any other date if you wish. When the bill of material is exploded in COM, the scheduled start date entered in COM is used.

DUE DATE (ODUDT). Required. Type in the date that the manufacturing order is due to be completed and the items made available to stock, to the shop floor, or for shipment.

REFERENCE (Reference Number) (REFNO). Type in the user-assigned reference number to appear on any reports associated with this manufacturing order. This field can be used to relate this order with other orders.

B/M (Bill of Material). Required. Type in one of the following codes:

NOW The components are immediately added to the manufacturing order based on the bill of material. The Order Entry – Component Availability (Enter) display (AMI4A4A) appears next so you can review the availability of each component on this order. This can be used only if PDM is installed and interfacing. If KBC is interfacing, the B/M field is forced to NOW for a configured item.

REL The components are added to the manufacturing order when the order is released. This is the default when PDM is installed and interfacing, but it can be changed to either of the other two options. If KBC is interfacing, REL is forced to N (No) for a configured item.

KEY The components should be entered using the Order Entry – Component Detail (Enter) display (AMI4A5). This is the only available option if PDM is not installed and interfacing. This option is not valid if the item being ordered has an S-number.

Note: If you type in NOW or REL, the component allocations are made against component inventory in the warehouse specified for the parent item ordered. For component allocations to be made from a different warehouse, you must type in KEY and enter the component allocations using the Order Entry – Component Detail (Enter) display (AMI4A5).

Note: If Knowledge Based Configurator (KBC) is interfacing and the item is configured, this field defaults to NOW.

RTG (Routing). Required. If PC&C and PDM are not installed and interfacing with IM, this field defaults to N (no) and cannot be changed. If PC&C is installed and

Contents	Index	Exit
--------------------------	-----------------------	----------------------

interfacing and you type N (no) in this field, the Order Entry – Operation Detail display (AM14A6) appears to allow entry of operation detail. If PDM is installed and interfacing with IM and you type in Y (yes), the system checks PDM's Routing file to determine if a routing exists for this item. If so, the operation detail records are created using the PDM Routing file.

If KBC is interfacing, this field defaults to N (no).

PLANR (Planner Code) (PLANN). Type in the code that identifies the person responsible for planning the replenishment strategy for this item or leave this field blank. If the field is blank, the application uses the planner code from the Item Balance file.

ITEM DESCRIPTION (FDESC). Type in the description of the item or leave this field blank. If the field is blank, the application uses the description from the Item Master file.

Note: When printing the Inventory Transaction Register (AMV3G), the application always uses the description from the Item Master file.

STK LOC (Stock Location) (FSKLC). Type in the stock location where this item is to be received when production is complete or leave this field blank. If you enter a location, it overrides the location from the Item Balance file. If you leave the field blank, the application uses the location from the Item Balance file. For components used in REP, it serves as the default supply location.

PRI (Management Priority Code) (MPROR). This code is used to expedite the order. Type in a code to give a higher priority to the operations of this order when work center dispatch lists are created in PC&C.

This number overrides the priority calculated by PC&C. The higher the number, the higher the priority. For example, 9 is higher than 0 (zero), which is higher than Z, which is higher than A, which is higher than blank.

ORD RSCH CODE (Order reschedule code) (ORRC). Code used to indicate whether or not an individual manufacturing order or purchase order line item can be rescheduled automatically by the system. This field only appears if MRP is interfacing.

- 0** Default to item reschedule code. This is the default.
- 1** Cannot be rescheduled automatically
- 2** Can be scheduled out
- 3** Can be scheduled in
- 4** Can be scheduled both out and in

ACTG CLS (Order Accounting Class Number). A user-defined control number used to classify orders for accounting purposes.

CUSTOMER JOB. The number that associates this order with a particular customer order or with other manufacturing orders. If the manufacturing order has been released, the job number contains the company number, order type, and order number of the customer order from COM. Otherwise, use this field as a user-defined reference field during manufacturing order entry.

If COM is installed and interfacing with IM, a customer order number includes the company number and order type of the associated customer order.

Contents	Index	Exit
--------------------------	-----------------------	----------------------

ITEM SEQ. The order in which the item appears in the customer order.

RELEASE. [Sequential number assigned by the system to identify individual releases.](#)

KIT SEQ. The order in which the kit item appears in the customer order.

S-NUMBER (Features/Options Select Number) (SNMBR). This number is used to select product options for assembly of the finished item and appears if PDM is interfacing with IM, features/options were selected during PDM application tailoring, and the item being ordered has features/options.

CONFIG. This field appears only if KBC is interfacing and indicates whether the item is configured or not.

Contents	Index	Exit
--------------------------	-----------------------	----------------------

AMI4A9R—Order Entry - Mfg Per Cust Order (Review)

Use this display to review and, if needed, to change or delete any Manufacturing Order Master records created and entered into the batch using display AMI4A9.

This display appears if you select **F03 PAGE BACKWARD** on any Enter display and the record you are reviewing is a Manufacturing Order Master record created from a customer order.

```

DATE **/**/**          ORDER ENTRY - MFG PER CUST ORDER          REVIEW          AMI4A9R **
ORDER NO  ITEM NUMBER    WH  REVISION    QUANTITY  START DATE  DUE DATE
*****  *****          ***  *****    nnnnnnn.nnn  nnnnnn  nnnnnn

B/M  RTG  PLANR  ITEM DESCRIPTION          ENG DRAWING  STK LOC  PRI
***  *   nnnnn  aaaaaaaaaaaaaaaaaaaaaaaaaA30  *****  aaaaaA7  A

RSCH CODE  ACTG CLS  CUSTOMER JOB  ITEM SEQ.  RELEASE  KIT SEQ.  REFERENCE
n          A3     *****      *****    *****  *****  aaaaaA10

S-NUMBER          CONFIG
*****          *
-----
PROCESS          *****
ALT BOM ID       *****
ROUTING ID       *****
ROUTING VERSION  *****

F01 RESUME ENTRY
F02 PAGE FORWARD
F03 PAGE BACKWARD
F05 COMPONENT DETAIL
F12 CHECK AVAIL
F20 DELETE RECORD
F24 DISPLAY STATUS
    
```

What to do

To change the Manufacturing Order Master record, type in the information you want to change and press **Enter**. The record is changed. The next record to appear depends on whether you page forward or backward.

Function keys

F01 RESUME ENTRY places the work station into Enter mode and causes a detail display to appear that corresponds to the last record in the order. If a detail display does not apply, display AMI4A11 appears again.

F02 PAGE FORWARD causes the next record on the order to appear when you are using the locate order function. Otherwise, **F02** causes the next record on the batch to appear.

F03 PAGE BACKWARD causes the previous record on the order to appear when you are using the locate order function. Otherwise, **F03** causes the previous record in the batch to appear.

F05 COMPONENT DETAIL causes the Order Entry – Component Detail (Enter) display (AMI4A5) to appear.

Contents	Index	Exit
--------------------------	-----------------------	----------------------

F12 CHECK AVAIL causes the Order Entry – Component Availability (Review) display (AMI4A4AR) to appear.

F20 DELETE RECORD deletes the manufacturing order on this display.

F24 DISPLAY STATUS causes the Order Entry – Purchase/Manufacture (Status) display (AMI4A12) to appear.

Fields

ORDER NO, ITEM NUMBER, WH, REVISION, B/M, RTG, ENG DRAWING, CUSTOMER JOB, ITEM SEQ, RELEASE, KIT SEQ, S-NUMBER, and CONFIG cannot be changed. To change those fields, use **F20** to delete the order and enter the order again with the correct fields. If EPDM is activated and you change the due date or start date, the process is re-edited to see if it is still effective on the new date.

Refer to “AMI4A9—Order Entry—Mfg Per Cust Order (Enter)” for an explanation of the fields on this display other than those shown below.

LOCATE ORDER. Type in the number of the order you want to review. When you press **Enter**, the order you requested appears. Repeat this step for all other orders you want to review. To leave the **Locate Order** function, type blanks in this field and press **Enter**.

ENG DRAWING. The item's engineering drawing number. This field comes from the Item Master file.

If EPDM is activated, and the warehouse is associated with a site, the following fields appear in the lower part of the display:

PROCESS. The description of the process associated with this order.

ALT BOM ID. The identifier and description of the alternate bill associated with this process. If the alternate bill of material ID is blank, but a description appears, it means the process is not using an alternate bill. Instead, it is using the basic bill for the item revision.

ROUTING ID. The identifier and description of the routing associated with this process.

ROUTING VERSION. The identifier that specifies the version of the routing associated with this process.

[Contents](#)[Index](#)[Exit](#)

AMI4A10—Order Entry—Manufacture Split (Select)

Use this display to specify the manufacturing order to be split.

This display appears when you select option 3 (Manufacturing Order Split) on display AMI4A1.

DATE **/**/**	ORDER ENTRY - MANUFACTURE SPLIT	SELECT	AMI4A10 **
BASE ORDER NO aaaaa7			
		F03 PAGE BACKWARD	
		F19 RETURN TO SELECT	
		F24 DISPLAY STATUS	

What to do

To select the manufacturing order to split, type in the base order number and press **Enter**. The Order Entry – Manufacture Split (Enter) display (AMI4A8) appears to allow entry of the split order. If EPDM is activated, you can split an order for a site and revision, but the split order must be for the same site and revision.

Function keys

F03 PAGE BACKWARD places the work station into Review mode and causes the last record entered into the batch to appear. Review mode allows you to page forward or backward through the batch and to change or delete records as required.

F19 RETURN TO SELECT causes the Order Entry – Purchase/Manufacture (Select) display (AMI4A1) to appear again.

F24 DISPLAY STATUS causes the Order Entry – Purchase/Manufacture (Status) display (AMI4A12) to appear.

Fields

BASE ORDER NO (ORDNO). Required. Type in the number of the order to be split.

[Contents](#)[Index](#)[Exit](#)

AMI4A11—Order Entry—Mfg Per Cust Order (Select)

Use this display to select customer orders from which manufacturing orders are to be created.

This display appears when both PDM and COM are installed and interfacing with IM and you select option 4 (Mfg Order Per Customer Order) on display AMI4A1.

```

DATE 1/18/93      ORDER ENTRY - MFG PER CUST ORDER      SELECT      AMI4A11 #2

CUSTOMER:
ORDER NUMBER      nn A2 aaaaaA7      DISPLAY: n
ITEM NUMBER       aaaaaaaaaaaaA15      1 ONLY ITEMS WITH S-NUMBER
WAREHOUSE         aA3      2 ALL ITEMS ON CUSTOMER ORDER
RELEASE NUMBER    nnnnn      3 ONLY CONFIGURED ITEMS
S-NUMBER          aaaaaaaaaaaaaaaaaA20

ORDER ACTG CLS   aA3

F03 PAGE BACKWARD
F19 RETURN TO SELECT
F24 DISPLAY STATUS

```

What to do

To select customer orders, type in the information requested and press **Enter**. The Order Entry – Mfg Per Cust Order (Enter) display (AMI4A9) appears to show the manufacturing order to create from the customer order selected.

Function keys

F03 PAGE BACKWARD places the work station into Review mode and causes the last record entered into the batch to appear. Review mode allows you to page forward or backward through the batch and to change or delete records as required.

F19 RETURN TO SELECT causes the Order Entry – Purchase/Manufacture (Select) display (AMI4A1) to appear again.

F24 DISPLAY STATUS causes the Order Entry – Purchase/Manufacture (Status) display (AMI4A12) to appear.

Fields

[?] appears next to a field name in the following field definitions to identify a field from which you can begin a master file search.

Contents	Index	Exit
--------------------------	-----------------------	----------------------

The fields on this display work together to cause various types of customer order line item selections.

Once a manufacturing order is released for a customer order line item release, a second manufacturing order per customer order cannot be entered for that line item release using this display. Use Order Entry–Manufacture display (AMI4A4) to enter a second manufacturing order. You can enter the customer order number in the customer job field for reference.

CUSTOMER ORDER NO (ORDNO). Required. Type in the number of the customer order used to create the manufacturing order. A customer order number includes the company number and order type of the associated customer order.

To go directly to a specific line on the customer order that you want to retrieve, enter the particular **ITEM NUMBER, WAREHOUSE, RELEASE NUMBER, or S-NUMBER**. The line you want on the customer order appears. If you don't want to go to a particular line on the customer order, use the **DISPLAY** field. This causes each line on the customer order to appear for you to select or reject.

DISPLAY. Required. Type in one of the following codes:

- 1 Display only those items having an S-number (feature/options select number).
- 2 Display all items on the customer order. Each sales order line item appears for approval. If approved, a corresponding manufacturing order is entered.
- 3 Display only configured (make to order) items. This code is available only if Knowledge Based Configurator (KBC) is interfacing. Configured items do not have an S-number.

ITEM NUMBER (ITNBR=FITEM) [?]. Type in the item number on the customer order to review for possible release on a manufacturing order. If you type in the item number, you must type in the warehouse. Only the customer order line items for the specified item and warehouse appear on display AMI4A9.

WAREHOUSE (HOUSE=FITWH). If you have multiple warehouses defined in the Warehouse Master file, type in the code of the warehouse associated with the item. If you have only one warehouse, the warehouse defined in the Warehouse Master file appears in this field and cannot be changed. If you type in the warehouse code, you must type in the item number. Only the customer order line items for the specified warehouse and item appear on display AMI4A9.

RELEASE NUMBER. Sequential number assigned by the system to identify individual releases. If you type in the release number, you must type in item number and warehouse. Only the customer order line items for the specified item, warehouse, and release number appear on display AMI4A9.

S-NUMBER (Feature/Options Select Number) (SNMBR) [?]. Indicates the set of options for this end item. The S-number is used only if your company chose to use features and options. The option numbers on the S-number correspond to the feature/option template your company established during application tailoring. The *PDM User's Guide* has additional information about templates.

If you type in the S-number, you must also type in item number and warehouse. Only the customer order line items for the specified item, warehouse, and S-number appear on display AMI4A9.

Contents	Index	Exit
--------------------------	-----------------------	----------------------

ORDER ACTG CLS (Order Accounting Class). Code, defined by your company, to group or classify orders for accounting purposes

[Contents](#)[Index](#)[Exit](#)

AMI4A12—Order Entry—Purchase/Manufacture (Status)

Use this display to review the number of records added, changed, or deleted, as applicable, in the Order Release Data Entry, Manufacturing Order Master, and Purchase Order Item Detail files. You can also use this display to delete, suspend, or close the batch.

This display appears when you select **F24** on any of the Enter or Review displays.

DATE **/**/**	ORDER ENTRY - PURCHASE/MANUFACTURE		STATUS	AMI4A12 **
	BATCH NUMBER ***			
	ORDER RELEASE DATA ENTRY FILE	MANUFACTURING ORDER MASTER FILE	PURCHASE ORDER ITEM DETAIL FILE	
SESSION STATUS				
RECORDS ADDED	** , ***	** , ***	** , ***	
RECORDS CHANGED	** , ***			
RECORDS DELETED	** , ***			
				F20 DELETE BATCH F23 SUSPEND BATCH F24 CLOSE BATCH

What to do

To delete, suspend, or close the batch, use a function key. To return to the display that was active when you selected **F24**, press **Enter**.

Function keys

F20 DELETE BATCH causes the specified batch to be marked for deletion. You are then asked to select **F20** again to be sure that the first selection was not in error. After the second selection of **F20**, the batch is deleted.

F23 SUSPEND BATCH causes the specified batch to be marked as suspended.

F24 CLOSE BATCH causes the specified batch to be marked closed.

Fields

BATCH NUMBER. The number of the batch to which you are currently attached.

SESSION STATUS. The number of records added, changed, or deleted in the Order Release Data Entry, Manufacturing Order Master, and Purchase Order Detail files during this session.

Contents	Index	Exit
--------------------------	-----------------------	----------------------

RECORDS ADDED: The number of records added during this session.

RECORDS CHANGED: The number of records changed during this session.

RECORDS DELETED: The number of records deleted during this session.

AMI4A13—Order Entry—Operation Detail—Additional Description (Enter)

Use this display to enter additional operation descriptions for a manufacturing order that is to be released.

This display appears only if PC&C is installed and interfacing and you type NO in the **RTG** field on the Order Entry – Manufacture (Enter) display (AMI4A4), and then you select **F11 ADDL DESCRIPTION ENTRY** on the Order Entry – Operation Detail (Enter) display (AMI4A6) or Review display (AMI4A6R).

```

DATE **/**/**      ORDER ENTRY - OPERATION DETAIL      ENTER      AMI4A13 **
                    ADDITIONAL DESCRIPTION
ORDER NO  ITEM NUMBER  WH REVISION  QUANTITY  START DATE  DUE DATE
*****  *****  *** *****  *****  **/**/**  **/**/**
                    REFERENCE *****
B/M  RTG  PLANR  ITEM DESCRIPTION  ENG DRAWING  STK LOC  PRI
***  *   *****  *****  *****  *****  *****  *
CUSTOMER JOB
*****

----- OPERATION -----
OPERATION DESCRIPTION  *****
OPERATION SEQUENCE NO  ****

----- ADDITIONAL DESCRIPTION -----

LINE  DESCRIPTION
nmn  aaaaaaaaaaaaaaaaaaaaaaaaaaaaaaaaaA40  F03 PAGE BACKWARD
                                           F05 COMP DETAIL ENTRY
                                           F06 OPER DETAIL ENTRY
                                           F07 MISC DETAIL ENTRY
                                           F10 MANUFACTURE ENTRY
                                           F19 RETURN TO SELECT
                                           F24 DISPLAY STATUS
    
```

What to do

To enter the additional operation for the manufacturing order, type in the requested information and press **Enter**. The data entered is processed and display AMI4A13 appears again so you can type in another line of operation description.

Function keys

F03 PAGE BACKWARD places the work station into Review mode and causes the last record entered into the batch to appear. Review mode allows you to page forward or backward through the batch and to change or delete records as required.

F05 COMP DETAIL ENTRY causes the Order Entry – Component Detail (Enter) display (AMI4A5) to appear.

F06 OPER DETAIL ENTRY causes the Order Entry – Operation Detail (Enter) display (AMI4A6) to appear.

F07 MISC DETAIL ENTRY causes the Order Entry – Miscellaneous Detail (Enter) display (AMI4A7) to appear.

Contents	Index	Exit
--------------------------	-----------------------	----------------------

F10 MANUFACTURE ENTRY causes the Order Entry – Manufacture (Enter) display (AMI4A4) or the Order Entry – Mfg Per Cust Order (Enter) display (AMI4A9) to appear.

F19 RETURN TO SELECT causes the Order Entry – Purchase/Manufacture (Select) display (AMI4A1) to appear.

F24 DISPLAY STATUS causes the Order Entry – Purchase/Manufacture (Status) display (AMI4A12) to appear.

Fields

The fields at the top of this display cannot be changed. They help you verify that you are entering an expanded description for the correct order and operation. See “AMI4A4—Order Entry–Manufacture (Enter)” and “AMI4A9—Order Entry–Mfg Per Cust Order (Enter)” for a description of the fields on this display except **ENG DRAWING**, explained below.

ENG DRAWING (Engineering Drawing) (ENGNO). The engineering drawing number of the item. The data in this field comes from the Item Master record and cannot be changed.

The **OPERATION DESCRIPTION** and **SEQUENCE NUMBER** fields cannot be changed. They are explained under display AMI4A6.

LINE (DSQNO). Type in the line number of the additional description to place it in the order you want this line to appear. This field is required.

DESCRIPTION (ADDSC). Type in an additional line of descriptive text for this manufacturing operation.

Contents	Index	Exit
--------------------------	-----------------------	----------------------

AMI4A13R—Order Entry—Operation Detail—Additional Description (Review)

Use this display to review and, if needed, to change or delete any additional operation description records entered into the batch using display AMI4A13.

This display appears when you select **F03 PAGE BACKWARD** on any Enter display and the record you are reviewing is a manufacturing operation additional description record.

```

DATE **/**/**      ORDER ENTRY - OPERATION DETAIL      REVIEW      AMI4A13R **
                   ADDITIONAL DESCRIPTION              LOCATE ORDER  aaaaaA7
ORDER NO  ITEM NUMBER  WH REVISION  QUANTITY  START DATE  DUE DATE
*****  *****  ***  *****  *****.*  **/**/**  **/**/**
                   REFERENCE *****
B/M  RTG  PLANR  ITEM DESCRIPTION  ENG DRAWING  STK LOC  PRI
***  *  *****  *****  *****  *****  *****  *
CUSTOMER JOB
*****

----- OPERATION -----
OPERATION DESCRIPTION *****
OPERATION SEQUENCE NO  ****

----- ADDITIONAL DESCRIPTION -----

LINE  DESCRIPTION
nnn  aaaaaaaaaaaaaaaaaaaaaaaaaaaaaaaaaA40

F01 RESUME ENTRY
F02 PAGE FORWARD
F03 PAGE BACKWARD
F11 ADDL DESCRIPTION ENTRY
F20 DELETE RECORD
F24 DISPLAY STATUS
    
```

What to do

To change the additional operation description, type in the information you want to change and press **Enter**. The record is changed. The next record to appear depends on whether you page forward or backward.

Function keys

F01 RESUME ENTRY places the work station into Enter mode and causes a detail display to appear that corresponds to the last record in the order. If a detail display does not apply, display AMI4A1 appears again.

F02 PAGE FORWARD causes the next record on the order to appear when you are using the Order Locate function. Otherwise, **F02** causes the next record on the batch to appear.

F03 PAGE BACKWARD causes the previous record on the order to appear when you are using the order locate function. Otherwise, **F03** causes the next record in the batch to appear.

F11 ADDL DESCRIPTION ENTRY causes the Order Entry – Operation Detail Additional Description (Enter) display (AMI4A13) to appear.

Contents	Index	Exit
--------------------------	-----------------------	----------------------

F20 DELETE RECORD deletes the data you entered on this display.

F24 DISPLAY STATUS causes the Order Entry – Purchase/Manufacture (Status) display (AMI4A12) to appear.

Fields

You cannot change any fields at the top of this display except **LOCATE ORDER**. These fields help you verify that you are reviewing, changing, or deleting the correct description. These fields are explained under displays AMI4A4 and AMI4A9 except **ENG DRAWING**, explained below.

The only fields you can change are **LINE** and **DESCRIPTION**. In addition, the entire operation description record can be deleted using **F20 DELETE RECORD**.

LOCATE ORDER. Type in the number of the order you want to review. When you press **Enter**, the order you requested appears. Repeat this step for all other orders you want to review. To leave the **Locate Order** function, type blanks in this field and press **Enter**.

ENG DRAWING (Engineering Drawing) (ENGNO). The engineering drawing number of the item. The data in this field comes from the Item Master record and cannot be changed.

The **OPERATION DESCRIPTION** and **SEQUENCE NUMBER** fields cannot be changed. They are explained under display AMI4A6.

LINE (DSQNO). The sequence number of the additional description for the operation detail.

DESCRIPTION (ADDSC). Additional text describing the manufacturing operation.

[Contents](#)[Index](#)[Exit](#)

AMI4A15—Order Entry—Milestone Group—Define/Remove (Enter)

Use this display to define or remove milestone groups for a manufacturing order that is to be released.

This display appears if PC&C is installed and interfacing and you type NO in the **RTG** field on the Order Entry – Manufacture (Enter) display (AMI4A4), and then you select **F12 MILESTONE GROUP ENTRY** on the Order Entry – Operation Detail (Enter) display (AMI4A6) or Review display (AMI4A6R).

Note: For information about milestone groups and their use, refer to the *Product Data Management User's Guide*.

```

DATE **/**/**      ORDER ENTRY - MILESTONE GROUP      ENTER      AMI4A15 **
                      DEFINE / REMOVE
ORDER NO  ITEM NUMBER  WH REVISION  QUANTITY  START DATE  DUE DATE
*****  *****  *** *****  *****  **/**/**  **/**/**
                      REFERENCE *****
B/M  RTG  PLANR  ITEM DESCRIPTION  ENG DRAWING  STK LOC  PRI
***  *   *****  *****  *****  *****  *****  *
CUSTOMER JOB
*****

-----

ACTION - DEFINE <1>, REMOVE <2>  A

BEGINNING OPERATION                aaA4
ENDING OPERATION                   aaA4

MILESTONE TYPE - JOB SHOP <J>
                    -or- FLOW SHOP <F>  A

                                F03 PAGE BACKWARD
                                F06 OPER DETAIL ENTRY
                                F19 RETURN TO SELECT
                                F24 DISPLAY STATUS

```

What to do

To enter a milestone group record, type in the requested information and press **Enter**. The data entered is processed and display AMI4A15 appears again for entry of another milestone group.

Function keys

F03 PAGE BACKWARD places the work station into Review mode and causes the last record entered into the batch to appear. Review mode allows you to page forward or backward through the batch and to change or delete records as required.

F06 OPER DETAIL ENTRY causes the Order Entry – Operation Detail (Enter) display (AMI4A6) to appear.

F19 RETURN TO SELECT causes the Order Entry – Purchase/Manufacture (Select) display (AMI4A1) to appear again.

Contents	Index	Exit
--------------------------	-----------------------	----------------------

F24 DISPLAY STATUS causes the Order Entry – Purchase/Manufacture (Status) display (AMI4A12) to appear.

Fields

The fields at the top of this display cannot be changed. They help you verify that you are entering the milestone group information for the correct order and item. These fields are explained under displays AMI4A4 and AMI4A9 except **ENG DRAWING**, explained below.

ENG DRAWING (Engineering Drawing) (ENGNO). The engineering drawing number of the item. The data in this field comes from the Item Master record and cannot be changed.

The remaining fields are required.

ACTION – DEFINE <1>, REMOVE <2> (ACTIO). Type in the number for the kind of action to use on a milestone group.

- 1 Define a milestone group.
- 2 Remove a milestone group.

BEGINNING OPERATION (BEGOP). Type in the number of the operation that is the first suboperation of this milestone group.

ENDING OPERATION (ENDOP). Type in the number of the operation that is the last suboperation of this milestone group.

MILESTONE TYPE – JOB SHOP <J>

– or – FLOW SHOP <F> (MSTYP). Type in the code that identifies the manufacturing environment for this milestone group

- J Job shop environment
- F Flow shop environment

[Contents](#)[Index](#)[Exit](#)

AMI4A15R—Order Entry—Milestone Group—Define / Remove (Review)

Use this display to review milestone group records, and, if needed, to change or delete any milestone group records entered into the batch using Enter display AMI4A15.

This display appears when you select **F03 PAGE BACKWARD** on any Enter display and the record you are reviewing is a manufacturing milestone group record.

```

DATE **/**/**      ORDER ENTRY - MILESTONE GROUP      REVIEW      AMI4A15R **
                   DEFINE / REMOVE                  LOCATE ORDER aaaaaA7
ORDER NO  ITEM NUMBER  WH  REVISION    QUANTITY    START DATE  DUE DATE
*****  *****  ***  *****  *****  **  **/**/**  **/**/**
                   REFERENCE *****
B/M  RTG  PLANR  ITEM DESCRIPTION      ENG DRAWING  STK LOC  PRI
***  *   *****  *****  *****  *****  *****  *
CUSTOMER JOB
*****

-----

ACTION - DEFINE <1>, REMOVE <2>      A

BEGINNING OPERATION                    aaA4
ENDING   OPERATION                      aaA4

MILESTONE TYPE - JOB SHOP <J>
              -or- FLOW SHOP <F>      A

                                F01 RESUME ENTRY
                                F02 PAGE FORWARD
                                F03 PAGE BACKWARD
                                F20 DELETE RECORD

```

What to do

To change the milestone group records, type in the information you want to change and press **Enter**. The record is changed. The next record to appear depends on whether you page forward or backward.

Function keys

F01 RESUME ENTRY places the work station into Enter mode and causes a detail display to appear that corresponds to the last record in the order. If a detail display does not apply, display AMI4A1 appears again.

F02 PAGE FORWARD causes the next record on the order to appear when you are using the Order Locate function. Otherwise, **F02** causes the next record on the batch to appear.

F03 PAGE BACKWARD causes the previous record on the order to appear when you are using the order locate function. Otherwise, **F03** causes the next record in the batch to appear.

F20 DELETE RECORD deletes the data you entered on this display.

Contents	Index	Exit
--------------------------	-----------------------	----------------------

F24 DISPLAY STATUS causes the Order Entry – Purchase/Manufacture (Status) display (AMI4A12) to appear.

Fields

You cannot change any fields above the line except **LOCATE ORDER**. The fields help you verify that you are reviewing, changing, or removing a milestone group for the correct order. These fields are explained under displays AMI4A4 and AMI4A9 except **ENG DRAWING**, explained below.

You can change the fields below the line. Refer to “AMI4A15—Order Entry–Milestone Group–Define/Remove (Enter)” for an explanation of the fields. In addition, the entire split order record can be deleted using **F20**.

LOCATE ORDER. Type in the number of the order you want to review. When you press **Enter**, the order you requested appears. Repeat this step for all other orders you want to review. To leave the **Locate Order** function, type blanks in this field and press **Enter**.

ENG DRAWING (Engineering Drawing) (ENGNO). The engineering drawing number of the item. The data in this field comes from the Item Master record and cannot be changed.

Option 2. Order Release (AMIM40)

Use this option when you need to release (post to the master files) previously entered purchase and manufacturing orders, and you do not want to print shop packets for manufacturing orders, or you want to make discrete allocations to a location or batch/lot.

The closed purchase order and manufacturing order batches that you select are processed to create master file records. Depending on the type of records entered and options selected during order entry, the following records are created:

- Purchase order item detail
- Purchase order blanket release detail
- Manufacturing order master
- Manufacturing order detail
- Operation detail
- Operation description
- Milestone group
- Miscellaneous charge detail.

Reports showing released purchase orders, released manufacturing orders, order shortages, and item shortages are printed.

Note: When Purchasing is installed and interfacing, you must release purchase orders through Purchasing.

Before you release the orders, make sure you have:

1. Entered purchase or manufacturing orders using option 1 (Order Entry) on the Order Release and Closeout menu (AMIM40).
2. Used **F24 (Close Batch)** for at least one batch of orders. (Only closed batches are processed.)

Note: When Knowledge-Based Configurator is installed and interfacing, the normal cost calculations in IM are bypassed. KBC determines the cost and updates the order header with the configured item's cost.

If EPDM is activated and an order is released for an EPDM site with BOM =REL, the system retrieves the bill of material associated with the process from EPDM. If the site is blank, the bill comes from the PDM files.

The order release process places information in the order files (MOMAST and MODATA) that provides the source of the engineering records. This information includes site, revision, alternate bill of material ID, routing ID and routing version in MOMAST, and component revision in MODATA.

For bills being exploded during release, a component's adjusted quantity per is calculated based on the item process being used. In EPDM only, adjusted quantity per for each component is calculated dynamically as required from yield information that is stored in EPDM's Routing Header record.

What information you need: None.

Contents	Index	Exit
--------------------------	-----------------------	----------------------

What reports are printed: All or some of the following reports are printed, depending upon the options you selected during application tailoring:

- Order Release Batch Extract and B/M Explosion (AMI4M)
- Item Shortage Report–Order Release (AMI4Q2)
- Order Shortage Report–Order Release (AMI4W2)
- Order Release Summary and Material Detail Update (AMI4N)
- Order Release Mfg per Customer Order–Detail Purge (AMI4C)
- Purchase Orders Released (AMI4R1)
- Manufacturing Orders Released (AMI4O1)
- Operation Misc. Detail Data Load (AMCP9O)
- Operations Detail Addition (AMC250)
- Miscellaneous Detail Addition (AMC260)
- Summary Maintenance Scheduler (AMC600)
- Order Release Batch Control Update–Purchase/ Manufacture (AMI4X).
- Summary Maintenance Scheduler (AMC600)
- Order Release Batch Control Update–Purchase/ Manufacture (AMI4X).

What forms you need: None.

The basic steps for releasing orders without printing the shop packets follow each display.

[Contents](#)[Index](#)[Exit](#)

AMIC51—Order Release (Select)

Use this display to select the method by which you want to process batches of orders. You can choose to process all closed batches, a single closed batch, all closed batches entered at a specified work station, or all closed batches entered by a specified operator (if MAPICS XA security is active).

This display appears when you select option 2 or 3 on the Order Release and Closeout menu (AMIM40).

```

DATE **/**/**          ORDER RELEASE          SELECT          AMIC51  **

Select one of the following:
1 All Closed Batches
2 Single Closed Batch
3 Closed Batches by Workstation ID
4 Closed Batches by Operator ID

Enter Selection: n

F24 END OF JOB

```

What to do

To select the kind of batches you want to process, type in a number from 1 to 4 and press **Enter**.

- If you typed in 1, the master files are updated with the orders entered and the order release reports are scheduled to print. The Order Release and Closeout menu (AMIM40) appears again.
- If you typed in 2, 3, or 4, the Order Release Option display (AMIC52) appears.

Function keys

F24 END OF JOB causes no report to be scheduled for printing, and the Order Release and Closeout menu (AMIM40) to appear again.

Fields

Enter Selection. To select a processing option, type in one of the following codes:

- 1 Process all closed batches.
- 2 Process one specific closed batch.
- 3 Process all closed batches entered at a specific work station.
- 4 Process all closed batches entered by a specific operator.

[Contents](#)[Index](#)[Exit](#)

AMIC52—Order Release Option

Use this display to select specific batches for processing.

This display appears when you type 2, 3, or 4 in **Enter Selection** on the Order Release display (AMIC51).

DATE **/**/**	ORDER RELEASE OPTION	AMIC52 **
Enter *****	aaaaaaaaA10	
		F19 RETURN TO SELECT F24 END OF JOB

What to do

To select the batch you want to process, type in the batch number and press **Enter**. The master files are updated with the inventory transactions and the order release reports are scheduled to print. The Order Release and Closeout menu (AMIM40) appears again.

Function keys

F19 RETURN TO SELECT causes no master files to be updated, no report to be scheduled for printing, and the Order Release (Select) display (AMIC51) to appear again.

F24 END OF JOB causes no master files to be updated, no report to be scheduled for printing, and the Order Release and Closeout menu (AMIM40) to appear again.

Fields

Enter *****. BATCH, WORKSTATION ID, or OPERATOR ID appear in this field depending on the option you chose on display AMIC51. Type in the number of the specific batch to be processed, the ID of the work station where the batches to be processed were entered, or the ID of the operator who entered the batches to be processed.

Option 3. Order Release with Shop Packet (AMIM40)

Use this option when you need to release (post to the master files) previously entered purchase and manufacturing orders, and you want to print shop packets for manufacturing orders. When Purchasing is installed and interfacing, you must release purchase orders through Purchasing. To make discrete allocations from a location or batch/lot, do not use these steps. You must release the order using option 2, make the discrete allocations, and then print the shop packets.

Before you release the orders, make sure you have:

1. Entered purchase or manufacturing orders using option 1 (Order Entry) on the Order Release and Closeout menu (AMIM40).
2. Used **F24 (Close Batch)** for at least one batch of orders. (Only closed batches are processed.)

Note: When Knowledge-Based Configurator is installed and interfacing, the normal cost calculations in IM are bypassed. KBC determines the cost and updates the order header with the configured item's cost.

What information you need: None.

What reports are printed: All or some of the following reports are printed, depending on the options you selected during application tailoring:

- Order Release Batch Extract and B/M Explosion (AMI4M)
- Item Shortage Report–Order Release (AMI4Q2)
- Order Shortage Report–Order Release (AMI4W2)
- Order Release Summary and Material Detail Update (AMI4N)
- Order Release Mfg per Customer Order–Detail Purge (AMI4C)
- Purchase Order Turnaround File Addition (AMI4P)
- Purchase Orders Released (AMI4R1)
- Manufacturing Orders Released (AMI4O1)
- Order Release Routing Expansion (AMC240)
- Operations Detail Addition (AMC250)
- Miscellaneous Detail Addition (AMC260)
- Summary Maintenance Scheduler (AMC600)
- Shop Packet Summary List (AMC280)
- Material Picking List (AMI9I1)
- Shop Packet Worksheet (AMI4H1)
- Labor Tickets (AMC340)
- Order Release Batch Control Update–Purchase/Manufacture (AMI4X).

What forms you need: None.

Contents	Index	Exit
--------------------------	-----------------------	----------------------

The basic steps for releasing orders and printing the shop packets follow each display.

[Contents](#)[Index](#)[Exit](#)

AMIC51—Order Release (Select)

Use this display to select all batches or specific batches for processing.

This display appears when you select option 2 or 3 on the Order Release and Closeout menu (AMIM40).

```

DATE **/**/**          ORDER RELEASE          SELECT          AMIC51  **

Select one of the following:
1 All Closed Batches
2 Single Closed Batch
3 Closed Batches by Workstation ID
4 Closed Batches by Operator ID

Enter Selection: n

F24 END OF JOB

```

What to do

To select the kind of batches you want to process, type in a number from 1 to 4 and press **Enter**.

- If you typed in 1, the master files are updated with the orders entered and the order release reports are scheduled to print. The Order Release and Closeout menu (AMIM40) appears again.
- If you typed in 2, 3, or 4, the Order Release Option display (AMIC52) appears.

Function keys

F24 END OF JOB causes no report to be scheduled for printing, and the Order Release and Closeout menu (AMIM40) to appear again.

Fields

Enter Selection. To select a processing option, type in one of the following codes:

- 1 Process all closed batches.
- 2 Process one specific closed batch.
- 3 Process all closed batches entered at a specific work station.
- 4 Process all closed batches entered by a specific operator.

[Contents](#)[Index](#)[Exit](#)

AMIC52—Order Release Option

Use this display to select specific batches for processing.

This display appears when you type 2, 3, or 4 in **Enter Selection** on the Order Release display (AMIC51).

DATE **/**/**	ORDER RELEASE OPTION	AMIC52 **
Enter *****	aaaaaaaaA10	
		F19 RETURN TO SELECT F24 END OF JOB

What to do

To select the batch you want to process, type in the batch number and press **Enter**. The master files are updated with the inventory transactions and the order release reports are scheduled to print. The Order Release and Closeout menu (AMIM40) appears again.

Function keys

F19 RETURN TO SELECT causes no master files to be updated, no report to be scheduled for printing, and the Order Release (Select) display (AMIC51) to appear again.

F24 END OF JOB causes no master files to be updated, no report to be scheduled for printing, and the Order Release and Closeout menu (AMIM40) to appear again.

Fields

Enter *****. BATCH, WORKSTATION ID, or OPERATOR ID appear in this field depending on the option you chose on display AMIC51. Type in the number of the specific batch to be processed, the ID of the work station where the batches to be processed were entered, or the ID of the operator who entered the batches to be processed.

[Contents](#)[Index](#)[Exit](#)

Option 4. Create Shop Packet (AMIM40)

If you select option 4 from the Order Release and Closeout menu, the Shop Packet Creation menu (AMIM44) appears.

Use this menu when you need to create shop packets for individual or multiple manufacturing orders that have been previously released.

```

AMIM44                               Inventory Management          *****
                                     Shop Packet Creation

Type option or command; press Enter.

    1. Multiple Order Selection
    2. Individual Order Selection

==> _____

F3=Exit      F4=Prompt    F9=Retrieve   F10=Actions
F11=Job status  F12=Return   F22=Messages

```

Option 1. Multiple Order Selection. Use this option to create shop packets for multiple manufacturing orders and to specify the ranges within which they are to be printed.

Option 2. Individual Order Selection. Use this option to create a shop packet for an individual manufacturing order. After you maintain the Manufacturing Order Detail or Manufacturing Order Operation Detail files, you must reprint the shop packet for the affected orders to make sure your file copy reflects the changes.

What information you need: None.

What reports are printed: All or some of the following reports are printed, depending upon the options you select on the Shop Packet Creation Options displays and the options you selected during application tailoring:

- Shop Packet Summary List (AMC280) (multiple orders only)
- Material Picking List (AMI9I1) (multiple orders only)
- Shop Packet Worksheet (AMI4H1 or AMI4I1)
- Labor Tickets (AMC340 or AMC350).

What forms you need: None.

The information about displays related to this menu begins with "Option 1. Multiple Order Selection (AMIM44)".

[Contents](#)[Index](#)[Exit](#)

Option 1. Multiple Order Selection (AMIM44)

Use this option when you need to create shop packets for multiple orders.

What information you need: None.

What reports are printed: The reports that print depend on which options you choose.

- Pick list
- Worksheet
- Labor ticket
- Receiving ticket

What forms you need: None.

The basic steps for creating the shop packets follow each display.

Contents	Index	Exit
-----------------	--------------	-------------

- 2** All orders within a range of start dates. Display AMI4E1 appears so you can specify a range of start dates. .
- 3** All orders within a range of due dates. Display AMI4E1 appears so you can specify a range of due dates. .
- 4** All orders within a range of order numbers. Display AMI4E2 appears so you can specify a range of order numbers. .

PRINT ONLY ORDERS NOT PREVIOUSLY PRINTED <Y/N>. Type in one of the following codes:

- Y** Print orders not previously selected for shop packet printing.
- N** Print all orders, whether or not printed previously.

PRINT CLOSED ORDERS <Y/N>. Type in one of the following codes:

- Y** Include orders that are at a status 45, 55, or selected to be forced closed.
- N** Do not include orders that are at a status 45, 55, or selected to be forced closed.

[Contents](#)[Index](#)[Exit](#)

AMI4E1—Shop Packets—Multiple Orders—Date Range

Use this display to specify a start date or due date range when printing shop packets for multiple orders.

This display appears when you select option 2 or 3 on the Shop Packets Multiple - Orders (Select) display (AMI4E0).

DATE **/**/**	SHOP PACKETS - MULTIPLE ORDERS DATE RANGE	SELECT	AMI4E1 **
BEGINNING START DATE	nn/nn/nn		
ENDING START DATE	nn/nn/nn		
			F19 RETURN TO SELECT F24 CANCEL THE JOB

What to do

To enter a start date or a due date range, type in the requested information and press **Enter**. Go to display AMI4E3.

Function keys

F19 RETURN TO SELECT causes display AMI4E0 to appear again, and any data entered to be ignored.

F24 CANCEL THE JOB causes the menu from which you started to appear again, and no shop packet to be scheduled for printing.

Fields

The fields on this display are optional. The beginning field value must be less than the ending field value. If zeros are typed in for day, month, or year, or if the date is left blank, the application assumes no limit is required for that portion or for the entire date.

BEGINNING START DATE

ENDING START DATE. These fields appear when you select option 2 on display AMI4E0. Type in the range of start dates for which shop packets are to be printed.

Contents	Index	Exit
--------------------------	-----------------------	----------------------

BEGINNING DUE DATE

ENDING DUE DATE. These fields appear when you select option 3 on display AMI4E0. Type in the range of due dates for which shop packets are to be printed.

[Contents](#)[Index](#)[Exit](#)

AMI4E2—Shop Packets—Multiple Orders—Order Number Range

Use this display to specify an order number range when printing shop packets for multiple orders.

This display appears when you select option 4 on display AMI4E0.

DATE **/**/**	SHOP PACKETS - MULTIPLE ORDERS ORDER NUMBER RANGE	SELECT	AMI4E2 **
BEGINNING ORDER	aaaaaA7		
ENDING ORDER	aaaaaA7		
F19 RETURN TO SELECT F24 CANCEL THE JOB			

What to do

To enter an order number range, type in the requested information and press **Enter**. Go to display AMI4E3.

Function keys

F19 RETURN TO SELECT causes display AMI4E0 to appear again, and any data entered to be ignored.

F24 CANCEL THE JOB causes the menu from which you started to appear again, and no shop packet to be scheduled for printing.

Fields

The fields on this display are optional.

BEGINNING ORDER

ENDING ORDER. Type in a beginning order number or ending order number, or both. If only a beginning order number is entered, a shop packet is printed for that and all succeeding order numbers. If only an ending number is entered, a shop packet is printed for all orders up to and including the order number entered.

[Contents](#)[Index](#)[Exit](#)

AMI4E3—Shop Packets—Multiple Orders—Report Detail

Use this display to specify worksheet print options, separate warehouse pick lists, and labor ticket print format options.

This display appears when you select option 1 (ALL ORDERS) on display AMI4E0 or when you enter date limits or order limits on display AMI4E1 or AMI4E2, respectively.

Depending on the options selected during application tailoring, each field already contains a Y or N response. Most field values can be changed, but the cursor skips those fields that cannot be changed.

```

DATE **/**/**   SHOP PACKETS - MULTIPLE ORDERS   SELECT   AMI4E3 **
                REPORT DETAIL
WORKSHEETS<Y,N>           A   STANDARD COSTS<Y,N>           A
                        ORDER TRACKING DATES<Y,N>           A
MATERIAL DETAIL<Y,N>     A   PRINT COMPONENT BARCODE<Y,N>   A
                        PRINT FLOORSTOCK BARCODE<Y,N>       A
                        PRINT LOCATION BARCODE<Y,N>          A
SEQUENCE<1,2,3>         n
OPERATION DETAIL<Y,N>   A   INACTIVE OPS INCLUDED<Y,N>     A
                        ADDITIONAL DESCRIPTIONS<Y,N>        A
                        STANDARD TIMES<Y,N>                 A
                        PRINT OP DETAIL BARCODE<Y,N>         A
MISCELLANEOUS DETAIL<Y,N> A   PRINT MISC CHG BARCODE<Y,N>    A
SEPARATE WAREHOUSE PICK LIST<Y,N> A   CONSOLIDATED FOR BULK PICK<Y,N> A
                        PRINT COMPONENT BARCODE<Y,N>         A
                        PRINT FLOORSTOCK BARCODE<Y,N>        A
                        PRINT LOCATION BARCODE<Y,N>          A
                                F19 RETURN TO SELECT
                                F24 CANCEL THE JOB

```

What to do

To print shop packets, type in the information requested and press **Enter**. Shop packets are created for the orders you requested and the reports are scheduled for printing. Go to display AMI4E4.

Function keys

F19 RETURN TO SELECT causes display AMI4E0 to appear again, and any data entered to be ignored.

F24 CANCEL THE JOB causes the menu from which you started to appear and no shop packet to be scheduled for printing.

Contents	Index	Exit
-----------------	--------------	-------------

Fields

All of the fields on this display are required.

WORKSHEETS <Y/N>. Type in **Y** to print shop packet worksheets. A **Y** response is required to select the options for material detail records, operation detail records, or miscellaneous detail records.

STANDARD COSTS <Y/N>. Type in **Y** to print standard costs on the shop packet worksheets. If **NOT CLEARED** or **NO COSTING** appears, you cannot use this option.

ORDER TRACKING DATES <Y/N>. Type in **Y** to print tracking summary and detail record dates on the shop packet worksheets.

MATERIAL DETAIL <Y/N>. Type in **Y** to print material lists.

PRINT COMPONENT BARCODE <Y/N>. Type in **Y** to print the component barcode on the shop packet worksheets. This field appears only if **PM&C** is installed and interfacing with **IM**.

PRINT FLOORSTOCK BARCODE <Y/N>. Appears only in **PM&C**. Type in **Y** to print the floorstock barcode on the shop packet worksheets. This field appears only if **PM&C** is installed and interfacing with **IM**.

PRINT LOCATION BARCODE <Y/N>. Type in **Y** to print the location barcode on the shop packet worksheets. This field appears only if **PM&C** is installed and interfacing with **IM**.

SEQUENCE <1/2/3>. The report sequence answer you gave during application tailoring. You can change this number to select the sequence for component items.

- 1 Item number. Print the shop packet worksheets in item number sequence.
- 2 Warehouse location. Print the shop packet worksheets in warehouse location sequence.
- 3 User sequence number. Print the shop packet worksheets in user sequence number sequence.

OPERATION DETAIL <Y/N>. Type in **Y** to include the operation detail records on the shop packet worksheets. The manufacturing order routing is printed on a new page after the material list.

INACTIVE OPS INCLUDED <Y/N>. Type in **Y** to include inactive operations if a manufacturing order routing is printed.

ADDITIONAL DESCRIPTIONS <Y/N>. Type in **Y** to print additional operation descriptions following the operation detail on the worksheets. If **NOT SUPPORTED** appears, you cannot use this option.

STANDARD TIMES <Y/N>. Type in **Y** to print standard times. If **NOT CLEARED** appears, you cannot use this option.

PRINT OP DETAIL BARCODE <Y/N>. Type in **Y** to print operation detail bar codes on the shop packet worksheets. The default is the value you chose during application tailoring. This field appears only if **PM&C** is installed and interfacing with **PC&C**.

[Contents](#)[Index](#)[Exit](#)

MISCELLANEOUS DETAIL <Y/N>. Type in **Y** to print miscellaneous detail records on the shop packet worksheet. The miscellaneous charges list is printed after the manufacturing routing.

PRINT MISC CHG BARCODE <Y/N>. Type in **Y** to print miscellaneous charge bar codes on the shop packet worksheets. The default is the value you chose during application tailoring. This field appears only if PM&C is installed and interfacing with PC&C.

SEPARATE WAREHOUSE PICK LIST <Y/N>. Type in **Y** to print a pick list of material only. This report is printed after the worksheets and can be used instead of or in addition to the worksheet material list. It does not print each warehouse separately.

CONSOLIDATED FOR BULK PICK <Y/N>. Type in one of the following codes:

- Y** Print the separate warehouse pick list in warehouse stocking location sequence consolidated by item.
- N** Print the separate warehouse pick list in warehouse stocking location/item sequence with one order per page.

PRINT COMPONENT BARCODE <Y/N>. Type in **Y** to print the component barcode on the warehouse pick list. This field appears only if PM&C is installed and interfacing with IM.

PRINT FLOORSTOCK BARCODE <Y/N>. Appears only in PM&C. Type in **Y** to print the floorstock barcode on the shop packet worksheets. This field appears only if PM&C is installed and interfacing with IM.

PRINT LOCATION BARCODE <Y/N>. Type in **Y** to print the location barcode on the warehouse pick list. This field appears only if PM&C is installed and interfacing with IM.

[Contents](#)[Index](#)[Exit](#)

AMI4E4—Shop Packets—Multiple Orders—Additional Report Details

Use this display to specify your pick list, labor ticket, and receiving ticket options.

This display appears when you press **Enter** on display AMI4E3.

```

DATE **/**/**      SHOP PACKETS - MULTIPLE ORDERS      SELECT      AMI4E4  **
                   ADDITIONAL REPORT DETAILS

SELECT LOCATIONS TO LIST:                                n
  1 LIST NUMBER NEEDED TO FILL ORDER
  2 LIST NUMBER NEEDED TO FILL ORDER PLUS ADDITIONAL
  3 LIST ALL LOCATIONS FOR ITEM IN WAREHOUSE
  4 LIST NUMBER NEEDED TO FILL PLUS LOW QTY LOCATIONS
IF OPTION 2, ENTER NUMBER OF ADDITIONAL LOCATIONS      nnn
PRINT LOCATION IN:   n   1 LOCATION ORDER   2 FIFO ORDER

PAPER LABOR TICKETS<Y,N>      A      PREPRINTED<Y,N>      A
                                MINIMUM PER OPERATION      nn
                                MAXIMUM PER OPERATION      nn
PAPER RECEIVING TICKETS<Y,N>  A      PREPRINTED<Y,N>      A
                                CALCULATE TICKET NUMBER AS   n
                                1 - X TICKETS PER ORDER
                                2 - 1 TICKET PER X ITEMS
                                CALCULATION FACTOR            nnnn
                                MAXIMUM PER ORDER            nnnn

                                F19 RETURN TO SELECT
                                F24 CANCEL THE JOB

```

What to do

To create the shop packet, type in your pick list, labor ticket, and receiving options and press **Enter**. A shop packet is created for the orders you requested and the reports are scheduled for printing. The menu from which you started appears again.

Function keys

F19 RETURN TO SELECT causes the Shop Packets – Multiple Orders (Select) display (AMI4E0) to appear to allow you to reselect the options. No report is scheduled for printing.

F24 CANCEL THE JOB cancels the job, and causes the menu from which you started to appear. No report is scheduled for printing.

Fields

Most field values can be changed. If a field cannot be changed, the cursor skips that field and goes to the next field in which you can enter values.

SELECT LOCATIONS TO LIST. If you select an option that has one or more orders with manufacturing allocations, the locations with allocated quantities are printed first. Then the following location options are printed:

- 1 List number needed to fill order. Selecting this option permits a shop packet to be printed listing the number of locations needed to fill the order. This is the default.

Contents	Index	Exit
-----------------	--------------	-------------

- 2 List number needed to fill order plus additional. Selecting this option permits a shop packet to be printed listing the number of locations needed to fill the order plus an additional number of locations you specify in the Additional Locations field.
- 3 List all locations for item in warehouse. Selecting this option permits a shop packet to be printed listing all locations.
- 4 List number needed to fill plus low qty locations. Selecting this option permits a shop packet to be printed listing the number of locations needed to fill the order plus low quantity locations. Low quantity locations are those containing quantities of 10 percent or less of the order quantity.

ADDITIONAL LOCATIONS. If you typed **2** in **SELECT LOCATIONS TO LIST**, type in the number of extra locations to be printed.

PRINT LOCATION IN. Type in one of the following codes:

- 1 Location order. Select this option to print pick lists in location order.
- 2 FIFO order. Select this option to print pick lists in FIFO date order.

PAPER LABOR TICKETS <Y/N>. Type in **Y** to print paper labor tickets that can be used for reporting operation transactions.

PREPRINTED <Y/N>. Type in one of the following codes:

- Y** Print labor tickets on preprinted forms.
- N** Print labor tickets on blank paper.

Both preprinted forms and blank paper are special forms.

MINIMUM PER OPERATION

MAXIMUM PER OPERATION. Type in the minimum and maximum number of labor tickets to be printed per operation. The application divides the total hours scheduled for the performance of an operation by 4 to calculate how many labor tickets should be printed. You can override this calculation by typing in other numbers. Since labor tickets are printed two at a time, specify an even number of labor tickets.

For example, if you type 4 in **MINIMUM PER OPERATION** and 12 in **MAXIMUM PER OPERATION**, you are requesting that at least four labor tickets be printed if the calculation produces a number less than 4 and that no more than 12 labor tickets be printed if the calculation produces a number greater than 12. If the calculated number falls within the range 4 - 12, that number of labor tickets (rounded up to an even number if necessary) is printed.

PAPER RECEIVING TICKETS <Y/N>. Type in **Y** to print paper receiving tickets that can be used for reporting operation transactions. The paper receiving ticket fields only appear if PM&C is installed and interfacing with IM.

PREPRINTED <Y/N>. Type in one of the following codes:

- Y** Print receiving tickets on preprinted forms.
- N** Print receiving tickets on blank paper.

CALCULATE TICKET NUMBERS AS. Type in the option number for the method to be used in assigning numbers to the tickets being printed.

- 1 X Tickets per order
- 2 1 ticket per X items.

Contents	Index	Exit
--------------------------	-----------------------	----------------------

CALCULATION FACTOR. Type in the value to be used for X, as it applies to the ticket calculation method you selected.

MAXIMUM PER ORDER. Type in the maximum number of paper receiving tickets to be printed for each order. The maximum applies only if ticket calculation method 2 was used.

[Contents](#)[Index](#)[Exit](#)

Option 2. Individual Order Selection (AMIM44)

Use this option when you need to create shop packets for individual orders.

What information you need: None.

What reports are printed: The reports that print depend on which options you choose.

- Pick list
- Worksheet
- Labor ticket
- Receiving ticket

What forms you need: None.

The basic steps for creating the shop packets follow each display.

[Contents](#)[Index](#)[Exit](#)

AMI4E6—Shop Packets—Individual Orders—Report Detail

Use this display to specify worksheet print options, separate warehouse pick lists, and labor ticket print format options.

This display appears when you select option 2 on the Shop Packet Creation menu (AMCM40) or option 3 on the PM&C Reports menu (AMJM20).

Depending on the options selected during application tailoring, each field already contains a Y or N response. Most field values can be changed, but the cursor skips those fields that cannot be changed.

```

DATE **/**/**   SHOP PACKETS - INDIVIDUAL ORDERS   SELECT   AMI4E6  **
                REPORT DETAIL
MANUFACTURING ORDER NUMBER  aaaaaA7
WORKSHEETS<Y,N>             A                   STANDARD COSTS<Y,N>           A
                                                                ORDER TRACKING DATES<Y,N>   A

MATERIAL DETAIL<Y,N>        A                   PRINT COMPONENT BAR CODE<Y,N> A
                                                                PRINT LOCATION BAR CODE<Y,N> A
SEQUENCE<1,2,3>             n

OPERATION DETAIL<Y,N>       A                   INACTIVE OPS INCLUDED<Y,N>   A
                                                                ADDITIONAL DESCRIPTIONS<Y,N> A
                                                                STANDARD TIMES<Y,N>           A
                                                                PRINT OP DETAIL BAR CODE<Y,N> A
MISCELLANEOUS DETAIL<Y,N>   A                   PRINT MISC CHG BAR CODE<Y,N>  A

SEPARATE WAREHOUSE PICK LIST<Y,N> A
                                                                CONSOLIDATED FOR BULK PICK<Y,N> A
                                                                PRINT COMPONENT BAR CODE<Y,N> A
                                                                PRINT LOCATION BAR CODE<Y,N>  A

                                                                F24 CANCEL THE JOB

```

What to do

To print an individual shop packet, type in the order number and the options for the shop packet. Press **Enter**. If the display appears again with message AM-3432 SHOP PACKET PREVIOUSLY PRINTED, press **Enter** again. Go to display AMI4E7.

Function keys

F24 CANCEL THE JOB causes the menu from which you started to appear. No shop packet is scheduled for to be printed.

Fields

All of the fields on this display are required.

MANUFACTURING ORDER NUMBER. Type in the manufacturing order number for the shop packet to be printed.

Contents	Index	Exit
-----------------	--------------	-------------

WORKSHEETS <Y/N>. Type in a **Y** to print the shop packet worksheets. A **Y** response is required to select the options for material detail records, operation detail records, or miscellaneous detail records.

STANDARD COSTS <Y/N>. Type in **Y** to print the standard costs on the shop packet worksheets. If NOT CLEARED or NO COSTING appears, you cannot use this option.

ORDER TRACKING DATES <Y/N>. Type in **Y** to print the tracking summary and detail record dates on the shop packet worksheets.

MATERIAL DETAIL <Y/N>. Type in **Y** to print material lists.

PRINT COMPONENT BARCODE <Y/N>. Type in **Y** to print the component barcode on the shop packet worksheets. This field appears only if PM&C is installed and interfacing with IM.

PRINT FLOORSTOCK BARCODE <Y/N>. Type in **Y** to print the floorstock barcode on the shop packet worksheets. This field appears only if PM&C is installed and interfacing with IM.

PRINT LOCATION BARCODE <Y/N>. Type in **Y** to print the location barcode on the shop packet worksheets. This field appears only if PM&C is installed and interfacing with IM.

SEQUENCE <1/2/3>. This field shows the report sequence answer you gave during application tailoring. You can change this number to select the sequence for component items.

- 1 Item number. Print the shop packet worksheets in item number sequence.
- 2 Warehouse location. Print the shop packet worksheets in warehouse location sequence.
- 3 User sequence number. Print the shop packet worksheets in user sequence number sequence.

OPERATION DETAIL <Y/N>. Type in **Y** to include the operation detail records on the shop packet worksheets. The manufacturing order routing is printed on a new page after the material list.

INACTIVE OPS INCLUDED <Y/N>. Type in **Y** to include inactive operations if a manufacturing order routing is printed.

ADDITIONAL DESCRIPTIONS <Y/N>. Type in **Y** to print additional operation descriptions following the operation detail on the worksheets. If NOT SUPPORTED appears, you cannot use this option.

STANDARD TIMES <Y/N>. Type in **Y** to print standard times. If NOT CLEARED appears, you cannot use this option.

PRINT OP DETAIL BARCODE <Y/N>. Type in **Y** to print operation detail bar codes on the shop packet worksheets. The default is the value you chose during application tailoring. This field appears only if PM&C is installed and interfacing with PC&C.

MISCELLANEOUS DETAIL <Y/N>. Type in **Y** to include miscellaneous detail records on the shop packet worksheet. The miscellaneous charges list is printed after the manufacturing routing.

Contents	Index	Exit
-----------------	--------------	-------------

PRINT MISC CHG BARCODE <Y/N>. Type in **Y** to print miscellaneous charge bar codes on the shop packet worksheets. The default is the value you chose during application tailoring. This field appears only if PM&C is installed and interfacing with PC&C.

SEPARATE WAREHOUSE PICK LIST <Y/N>. Type in **Y** to print a pick list of material only. This report is printed after the worksheets, and can be used instead of or in addition to the worksheet material list. It does not print each warehouse separately.

CONSOLIDATED FOR BULK PICK <Y/N>. Type in one of the following codes:

Y Print the separate warehouse pick list in warehouse location sequence consolidated by item.

N Print the separate warehouse pick list in warehouse location sequence by order.

PRINT COMPONENT BARCODE <Y/N>. Type in **Y** to print the component barcode on the warehouse pick list. This field appears only if PM&C is installed and interfacing with IM.

PRINT FLOOR STOCK BARCODE <Y/N>. Type in **Y** to print the floorstock barcode on the warehouse pick list. This field appears only if PM&C is installed and interfacing with IM.

PRINT LOCATION BARCODE <Y/N>. Type in **Y** to print the location barcode on the warehouse pick list. This field appears only if PM&C is installed and interfacing with IM.

[Contents](#)[Index](#)[Exit](#)

AMI4E7—Shop Packets—Individual Orders—Additional Report Details

Use this display to specify your pick list, labor ticket, and receiving ticket options.

This display appears when you press **Enter** on display AMI4E6.

```

DATE **/**/**      SHOP PACKETS - INDIVIDUAL ORDERS      SELECT      AMI4E7  **
                   ADDITIONAL REPORT DETAILS

SELECT LOCATIONS TO LIST:                                n
  1 LIST NUMBER NEEDED TO FILL ORDER
  2 LIST NUMBER NEEDED TO FILL ORDER PLUS ADDITIONAL
  3 LIST ALL LOCATIONS FOR ITEM IN WAREHOUSE
  4 LIST NUMBER NEEDED TO FILE PLUS LOW QTY LOCATIONS
IF OPTION 2, ENTER NUMBER OF ADDITIONAL LOCATIONS      nnn
PRINT LOCATION IN:   n   1 LOCATION ORDER   2 FIFO ORDER

PAPER LABOR TICKETS<Y,N>      A      PREPRINTED<Y,N>      A
                               A      BEGINNING OPERATION (OR ALL) aaA4
                               A      TICKETS PER OPERATION      nn
PAPER RECEIVING TICKETS<Y,N>  A      PREPRINTED<Y,N>      A
                               A      NUMBER OF TICKETS      nnnnn

                                           F19 RETURN TO SELECT
                                           F24 CANCEL THE JOB

```

What to do

To create a shop packet for the order you requested, type in your pick list, labor ticket, and receiving options and press **Enter**. A shop packet is created, and the reports are scheduled for printing. The menu you started from appears again.

Function keys

F19 RETURN TO SELECT causes the Shop Packets – Individual Orders (Select) display (AMI4E6) to appear again, and any data entered to be ignored. You can reselect the options. No report is scheduled for printing.

F24 CANCEL THE JOB cancels the job, and causes the menu from which you started to appear. No report is scheduled for printing.

Contents	Index	Exit
-----------------	--------------	-------------

Fields

Most field values can be changed. If a field cannot be changed, the cursor skips that field.

SELECT LOCATIONS TO LIST. If you select an option that has one or more orders with manufacturing allocations, the locations with allocated quantities are printed first. Then the following location options are printed:

- 1 List number needed to fill order. Selecting this option permits a shop packet to be printed listing the number of locations needed to fill the order. This is the default.
- 2 List number needed to fill order plus additional. Selecting this option permits a shop packet to be printed listing the number of locations needed to fill the order plus an additional number of locations you specify in the Additional Locations field.
- 3 List all locations for item in warehouse. Selecting this option permits a shop packet to be printed listing all locations.
- 4 List number needed to fill plus low qty locations. Selecting this option permits a shop packet to be printed listing the number of locations needed to fill the order plus low quantity locations. Low quantity locations are those containing quantities of 10 percent or less of the order quantity.

ADDITIONAL LOCATIONS. If you typed 2 in the **SELECT LOCATIONS TO LIST** field, type in the number of extra locations to be printed.

PRINT LOCATION IN. Type in one of the following codes:

- 1 Location order. Print pick lists in location order.
- 2 FIFO order. Print pick lists in FIFO date order.

PAPER LABOR TICKETS <Y/N>. Type in **Y** to print paper labor tickets that can be used for reporting operation transactions.

PREPRINTED <Y/N>. Type in one of the following codes:

- Y** Print labor tickets on preprinted forms.
- N** Print labor tickets on blank paper.

Both preprinted forms and blank paper are special forms.

BEGINNING OPERATION (OR ALL). Type in **ALL** to print paper labor tickets for all operations or type in an operation sequence number to print labor tickets for all operations beginning at a specific operation.

TICKETS PER OPERATION. Type in the number of paper labor tickets to be printed for each operation.

PAPER RECEIVING TICKETS <Y/N>. Type in **Y** to print paper receiving tickets that can be used for reporting operation transactions. The paper receiving ticket fields only appear if PM&C is installed and interfacing with IM.

PREPRINTED <Y/N>. Type in one of the following codes:

- Y** Print receiving tickets on preprinted forms.
- N** Print receiving tickets on blank paper.

Contents	Index	Exit
--------------------------	-----------------------	----------------------

NUMBER OF TICKETS. Type in the number of receiving tickets that you want printed.

Option 5. Order Closeout Selection (AMIM40)

Use this option when you need to select purchase or manufacturing orders for closeout when Purchasing is not installed and interfacing with Inventory Management.

If Purchasing is installed and interfacing, you must close out purchase orders through that application.

If EPDM is activated and the order is for an EPDM site, no updating of actuals or averages occurs in the routing and facility. Orders for a site are treated by order closeout as if the bills and routings were keyed. The fields representing the source of engineering records are written to history and are archived, but do not show on history panels or reports.

Purchase orders can be selected either by unique order/item/warehouse number or by the purchase order number. When purchase order number is used, all items for that order number are closed if the status code is consistent with the action code entered (see display description AMI4S1). Manufacturing orders are selected by order number.

Both purchase and manufacturing orders can be selected for closeout at the date of last activity. This means that all orders having a last activity date prior to the date entered are marked for closeout if they are complete. Any orders canceled during file maintenance can be specified to be automatically selected for closeout.

Before you select orders for closeout:

- If you are selecting any canceled orders for closeout, make sure you have canceled these orders using option 3 (Purchase Order Item Detail) or 5 (Mfg Order Master) on the File Maintenance menu (AMIM70).
- If you are selecting any completed orders for closeout, make sure you have completed these orders (entered a completion code of C on the receipt transaction) using option 1, Entry, on the Transaction Processing menu (AMIM30).
- If you are selecting any incomplete manufacturing orders for closeout, make sure that all components allocated to the order(s) have been deallocated. Display AMI4S1 has information about force closing manufacturing orders.

After you select orders for closeout, be sure to purge these orders from the files using option 6 (Order Closeout Report and Purge) on the Order Release and Closeout menu (AMIM40).

What information you need: None.

What reports are printed: One or more of the following reports is printed, depending on the options you select during Order Closeout Selection.

- Order Closeout Selection by Order Audit List (AMI4S)
- Order Closeout Selection by Date Audit List (AMI4T).

What forms you need: None.

The basic steps for closing out the orders follow each display.

AMI4S1—Order Closeout—Selection—Purchase/Manufacture

Use this display to select purchase or manufacturing orders to be closed. The following chart shows the requirements, by action code, for closeout selection:

Action	Order Type	PC&C Interface	Order Status
C (normal close)	Purchase		50
	Manufacturing	No	45
		Yes	55
F (force close)	Manufacturing		40 or above
	Purchase		Any
X (close canceled order)	Both		99

Action code **R** reverses the selection (the order must not have been purged).

The manufacturing order status codes (OSTAT) are defined as follows.

- 10** Released, but no activity reported.
- 40** Order started. At least one material, outside operation, labor, machine, or miscellaneous charges transaction processed.
- 45** IM material receipt to stock has been reported as complete. PC&C has not reported the order as complete (outside operations, labor, machine, and miscellaneous charges).
- 50** PC&C has reported the order as complete (outside operations, labor, machine, and miscellaneous charges). IM material receipt to stock has not been reported as complete.
- 55** Order complete. Includes all material, outside operations, labor, machine, and miscellaneous charges.
- 99** Order canceled, no activity has been reported.

Force closing a manufacturing order with status 40 causes the total allocated quantity in the Item Balance record of each of the components to be reduced by the unissued quantity when you select option 6, Order Closeout Report and Purge, on menu AMIM40.

Before force closing an order, see "How to resolve special situations" for information on how to return unused components to the stockroom when force closing a manufacturing order.

Individual line items on a purchase order can be selected by entering the order number, item number, warehouse, and action. An entire purchase order can be selected by entering only the order number and action. In this case, only the line items on the order whose status code is consistent with the action are entered for close. A manufacturing order can be selected by entering the order number and action since there is only one finished item per manufacturing order.

This display appears when you select option 5 on the IM Order Release and Closeout menu (AMIM40), option 9 on the PUR Purchase Order Processing menu (AM6M10), or option 1 on the PC&C Order Closeout menu (AMCM60).

[Contents](#)[Index](#)[Exit](#)

DATE **/**/**	ORDER CLOSEOUT - SELECTION PURCHASE/MANUFACTURE			AMI4S1 **
ORDER NO aaaaaA7	ITEM NUMBER aaaaaaaaaaaaA15	WH aA3	ACTION A	
				C-NORMAL CLOSE F-FORCE CLOSE X-CLOSE CANCELED ORDER R-REVERSE SELECTION
LAST ORDER CLOSED	*****			
LAST ORDER ACTION	*****			
				F09 CLOSEOUT BY DATE F24 END OF JOB

What to do

- To select a purchase order for closeout, type in the order number, item number, warehouse, and action and press **Enter**. Display AMI4S1 appears again.
- To select a manufacturing order for closeout, type in the order number and action and press **Enter**. Display AMI4S1 appears again.
- To correct a selection made in error, type in the order number and type **R** in the **ACTION** field. Press **Enter**. Display AMI4S1 appears again.

Function keys

F09 CLOSEOUT BY DATE causes the Order Closeout by Date display (AMI4S2) to appear. Use **F09** to close orders as a group rather than individually.

F24 END OF JOB, if used before pressing **Enter**, causes any data entered to be ignored. When it is selected after pressing **Enter**, order closeout is concluded, the orders entered are made available for closeout, and the Order Closeout Selection by Order Audit List report (AMI4S) is scheduled for printing.

Fields

ORDER NO. Required. Type in the manufacturing or purchase order number to be closed. When Purchasing is installed and interfacing with IM, the closeout selection of purchase orders is not allowed through IM. The order is not selected for closeout if an active transaction exists in the PM&C Collected Transaction file.

ITEM NUMBER. For purchase orders only, type in the number of the purchased item.

Contents	Index	Exit
--------------------------	-----------------------	----------------------

WH (WAREHOUSE). If you have multiple warehouses defined in the Warehouse Master file and this is a purchase order, type in the code of the warehouse where the purchased item is stored. If you have only one warehouse, the warehouse defined in the Warehouse Master file appears in this field and cannot be changed. When Purchasing is installed, the **ITEM NUMBER** and **WH** fields do not appear. Only the order number is required to select for close.

ACTION. Required. The action to be taken for the order. Type in one of the following codes:

- C** Normal close (manufacturing order status = 55 with PC&C interfacing or 45 without PC&C on purchase order status = 40 (received complete) or 50 (received and invoiced complete) or 35 (with warning message))
- F** Force close (manufacturing order status = 40, 45, or 50 or any purchase order status can be force closed)
- R** Reverse selection
- X** Close canceled order (order status = 99)

Force-closing a manufacturing order with status 40 or 50 causes the total allocated quantity in the Item Balance record of each of the components to be reduced by the unissued quantity.

LAST ORDER CLOSED. The order number of the last order closed appears in this field. This field appears only after you have closed an order.

LAST ORDER ACTION. The action taken (NORMAL, FORCE, CLOSE, or REVERSE) on the last order appears in this field. This field appears only after you have closed an order.

[Contents](#)[Index](#)[Exit](#)

AMI4S2—Order Closeout—By Date—Purchase/Manufacture

Use this display to select a group of purchase or manufacturing orders for closeout. The order is not selected for closeout if an active transaction exists in the PM&C Collected Transactions file.

If EPDM is activated, you can specify a site you want to use. If you leave the **SITE** field blank, all orders in all sites will be closed for the selected date, if they are at the proper status.

This display appears when you select **F09 CLOSEOUT BY DATE** on display AMI4S1. All orders completed before the date specified and, optionally, all canceled orders are selected.

```

DATE **/**/**          ORDER CLOSEOUT - BY DATE          AMI4S2 **
                        PURCHASE/MANUFACTURE

SITE      aA3

ALL COMPLETE ORDERS WITH LAST ACTIVITY DATE BEFORE  nnnnnn

ALL CANCELED ORDERS          A

                                F08 CLOSEOUT SELECTION
                                F20 CANCEL PREVIOUS DATE
                                F24 END OF JOB

```

What to do

- To select orders for closeout by date, type in the information requested and press **Enter**. Display AMI4S2 appears again.
- To select all canceled orders for closeout, type **Y** (yes) in the **ALL CANCELED ORDERS** field and press **Enter**. Display AMI4S2 appears again.

Function keys

F08 CLOSEOUT SELECTION causes the Order Closeout Selection display (AMI4S1) to appear. When **F08** is selected before pressing **Enter**, any data entered is ignored.

F20 CANCEL PREVIOUS DATE causes the data previously entered to be deleted. This function key is used after you press **Enter**. It permits you to enter a new date to be used in order closeout.

F24 END OF JOB causes the Order Release and Closeout menu (AMIM40) or the Purchase Order Processing menu (AM6M10) to appear.

Contents	Index	Exit
--------------------------	-----------------------	----------------------

Fields

[\[?\]](#) appears next to a field name in the following field definitions to identify a field from which you can begin a master file search.

SITE [?]. Type in a site you want to use if EPDM is activated. If you leave the **SITE** field blank, all orders in all production sites will be closed for the selected date. You cannot specify a simulation site.

ALL COMPLETE ORDERS WITH LAST ACTIVITY DATE BEFORE. Type in a cutoff date. All completed purchase or manufacturing orders having dates of last activity before the date entered here are selected for closeout.

If an order is complete and the last activity date is zero (as it will be if the receipt required flag for all the purchase order items is NO), the order will be selected for close if the last invoice date is before the date entered. If you type **Y** to select all canceled orders in the next field, you do not need a date in this field.

When both Inventory Management and Purchasing are installed, only Inventory Management can close out manufacturing orders, and only Purchasing can close out purchase orders.

ALL CANCELED ORDERS. Type in **Y** (yes) to select all canceled orders for closeout. Otherwise, type in **N** (no).

[Contents](#)[Index](#)[Exit](#)

Option 6. Order Closeout Report and Purge (AMIM40)

Use this option when you need to close previously selected purchase and manufacturing orders and purge them from the files when Purchasing is not installed and interfacing.

If Purchasing is installed and interfacing, you must close purchase orders through that application.

Manufacturing Order Master and Purchase Order Master records that were marked for closeout are deleted from the files, and associated order detail records are removed from the files. If you are tailored to keep history for manufacturing orders, then the orders marked for closeout in the Manufacturing Order Master and Detail files are written to the Manufacturing Order History files before they are removed from the open order files. If MRP is installed and interfacing, the source of demand records for an order are also written to a Manufacturing Order History Demand file. If discrete allocations exist for the order you are closing, the discrete allocation records are deleted from the Allocated Quantity file, and the allocated quantity field in the Location Quantity file is reduced accordingly. The Order Closeout Summary and Material Purge Audit List is printed. Reports showing closed purchase orders and closed manufacturing orders are also printed.

Before purging the orders, make sure that you have selected one or more purchase or manufacturing orders for closeout using option 5 (Order Closeout Selection) on the Order Release and Closeout menu (AMIM40).

What information you need: None.

What reports are printed: All or some of the following reports are printed, depending on the options you select on the Order Closeout Options displays and the options you selected during application tailoring:

- Purchase Orders Closed (AMI4R2)
- Manufacturing Orders Closed (AMI4O2)
- Work List Priority Calculation Edit (AMC720)
- Work Center Analysis Report (AMC780)
- Current Values Update (AMC540)
- Order Closeout-Production Report (AMI4K1)
- Cost Total Sheet (AMI4K2)
- Order Closeout-Accounting Report (AMC560)
- Cost Total Sheet (AMC561)
- Period Analysis Cost Summary (AMC700)
- Order Closeout Operations Purge (AMC570)
- Order Closeout Miscellaneous Purge (AMC580)
- Order Closeout Transaction Purge (AMC590)
- Order Closeout Summary and Material Purge Audit List (AMI4U).

What forms you need: None.

The basic steps for closing out the orders and purging them from the files follow each display.

[Contents](#)[Index](#)[Exit](#)

AMC53A—Order Closeout Options—Select Site

Use this display to specify the site to be used for this task, if EPDM is activated.

This display appears when you select option 6 on the Order Release and Closeout menu (AMIM40) or option 2 on the PC&C Order Closeout menu (AMCM60).

```

DATE **/**/**          ORDER CLOSEOUT OPTIONS          AMC53A **
                        REPORTING AND PURGE

SELECT SITE TO BE USED FOR CLOSEOUT    aA3

F24 CANCEL THE JOB
  
```

What to do

Type in the site you want to use for closeout and press **Enter**. An options display appears for you to enter the options you want to use.

Function keys

F24 CANCEL THE JOB causes the menu to appear. No processing occurs.

Fields

[?] appears next to a field name in the following field definitions to identify a field from which you can begin a master file search.

SITE [?]. The site you want to use. The site cannot be blank.

[Contents](#)[Index](#)[Exit](#)

AMC530—Order Closeout Options—Reporting and Purge

Use this display to specify the report and update options for order closeout.

This display appears when you select option 6 on the Order Release and Closeout menu (AMIM40) or option 2 on the PC&C Order Closeout menu (AMCM60). If EPDM is activated, this display appears after you have specified a site on the Select display.

```

DATE **/**/**          ORDER CLOSEOUT OPTIONS          AMC530  **
                        REPORTING AND PURGE

SITE ***

WORK CENTER ANALYSIS REPORT <Y/N>--      A
  WORK CENTER AVERAGES UPDATE <Y/N>--    A

ROUTING FILE UPDATE <Y/N>--              A

PRODUCTION REPORT <Y/N>--                A

ACCOUNTING REPORT <Y/N>--                A
  MACHINE TOTALS TO PRINT <Y/N>--        A
  OPERATION TOTALS BY OPERATION <Y/N>--  A

PERIOD ANALYSIS REPORT <Y/N>--          A
  CURRENT PERIOD CLEAR <Y/N>--          A

CREATE CLOSEOUT VARIANCE BY FAC <Y/N>--  A

                                F24 CANCEL THE JOB

```

What to do

To continue the purge, type in your report and update options for order closeout and press **Enter**.

If there are no errors, one of the following events occurs:

- If you selected the Work Center Analysis report, the Order Closeout Options – Work Center Analysis Report display (AMC531) appears.
- If you selected the Routing file for update, the Order Closeout Options – Routing Current Values Update display (AMC532) appears.
- If only the production or accounting reports were selected, these reports are scheduled for printing and the menu appears again.

Function keys

F24 CANCEL THE JOB causes the menu to appear. No processing occurs.

Fields

SITE. The site you specified on the Select display.

All of the following fields require an entry of **Y** or **N**.

Contents	Index	Exit
--------------------------	-----------------------	----------------------

WORK CENTER ANALYSIS REPORT<Y/N> (ANSO1). This report contains the current status of each work center. Type in **Y** to print the Work Center Analysis report. Otherwise, type in **N**. An N response is valid only if no closed orders (only canceled orders) have been selected for closeout.

WORK CENTER AVERAGES UPDATE<Y/N> (ANSO2). If the Work Center Analysis report is selected for printing, type in **Y** if you want to update the average statistics in the Work Center Master or Facility Master file. Otherwise, type in **N**.

ROUTING FILE UPDATE<Y/N> (ANSO3). If PDM is installed and interfacing, or if EPDM is activated, and you want to update the average times, average yields, and mean average deviation yield in the Routing master file and print the Routing File Update report, type in **Y**. If PDM is not interfacing, or EPDM is not activated, or you do not want to update the Routing master file, type in **N**.

The averages updated into the Routing master file are calculated using the quantities reported to the operation. When the quantities (received complete and scrapped) are zero, the current values will be zero and the averages will be less than expected.

PRODUCTION REPORT<Y/N> (ANSO4). Type in **Y** to print the Order Closeout—Production report. Otherwise, type in **N**. This report contains the current manufacturing order status with a detailed breakdown of times and quantities.

ACCOUNTING REPORT<Y/N> (ANSO5). Type in **Y** to print the Order Closeout—Accounting report. Otherwise, type in **N**. This report contains the current manufacturing order status with a detailed breakdown of costs.

MACHINE TOTALS TO PRINT<Y/N> (ANSO6). If the accounting report was selected, type in **Y** to print machine totals. Otherwise, type in **N**.

OPERATION TOTALS BY OPERATION<Y/N> (ANSO7). If the accounting report was selected, type in **Y** to print operation totals by operation. Otherwise, type in **N**.

PERIOD ANALYSIS REPORT<Y/N> (ANSO8). If the Work Center Analysis report is selected, you must also select the Period Analysis Report. An N response is valid only if no closed orders (only canceled orders) have been selected for closeout. This report summarizes work-in-process costs for the current period and total costs to date.

CURRENT PERIOD CLEAR<Y/N> (ANSO9). If the Period Analysis report is selected and work center averages are selected for update during this closeout run, you must also select current period clear. An N response is valid only if no closed orders (only canceled orders) have been selected for closeout. This option permits all cost fields for the current period to be cleared.

CREATE CLOSEOUT VARIANCE BY FAC <Y/N> (ANSO19). If the PCC/GLI interface is requested or active, type in **Y** to create order closeout variance transactions by production facility. If you do not want to create order closeout variance transactions by production facility, leave the default of **N**. If PCC/GLI interface is requested or active, order closeout variance transactions will be created at the order detail level no matter how this question is answered.

[Contents](#)[Index](#)[Exit](#)

AMC531—Order Closeout Options—Work Center Analysis Report

Use this display to specify values to be used in calculating the statistics in the Work Center Master file for the Work Center Analysis report.

Note: This display appears when you select the Work Center Analysis report on display AMC530.

All the values can be fixed for each run of order closeout as indicated by your answers to the Install/Tailor Questionnaire for the PC&C application. The alpha factors are used in the smoothed averaging calculations for queue (or input) and output calculations: average queue, queue MAD, tracking signal, standard output, actual output, average efficiency, and average utilization. The queue range establishes limits above and below both the old average queue and the planned queue, which are termed the high norm and the low norm. The queue range times the queue MAD (in hours) plus the old average queue (in hours) is the high norm (in hours). An exception is noted on the Work Center Analysis report when the current value is outside the range established by either of the sets of high and low norms.

The days-in-period value is used to calculate the planned capacity of each work center. This value must be the same time since the current period values were last refreshed. The tracking signal is the sum of the absolute difference between the current queue and the queue MAD. The tracking signal trip causes an exception message to print for any work center whose current tracking signal is greater than the trip value times the queue MAD.

```

DATE **/**/**          ORDER CLOSEOUT OPTIONS          AMC531 **
                        WORK CENTER ANALYSIS REPORT

SITE ***

QUEUE ALPHA FACTOR--          .nn
STANDARD OUTPUT ALPHA FACTOR-- .nn
ACTUAL OUTPUT ALPHA FACTOR--  .nn
EFFICIENCY ALPHA FACTOR--    .nn
QUEUE RANGE--                 n.nn
DAYS IN PERIOD--              nn
TRACKING SIGNAL TRIP--        n.n

                                F19 RESELECT OPTIONS
                                F24 CANCEL THE JOB

```

What to do

To enter the values for calculating the statistics, type in the requested information and press **Enter**. If there are no errors, display AMC532 appears if you selected Routing file update on display AMC530. Otherwise, the menu appears again.

Function keys

F19 RESELECT OPTIONS causes display AMC530 to appear again. Any prior data entered is ignored.

F24 CANCEL THE JOB causes the menu to appear. No processing occurs.

Fields

SITE. The site you specified on the Select display.

The values shown (as a result of application tailoring options selected) may be changed. No field may contain a zero. Refer to the *Inventory Management User's Guide* for further explanation of Averaging Factor (Alpha Factor).

QUEUE ALPHA FACTOR (QALPHA). A weighting factor used to calculate a new average queue (AVGQT) and a new mean absolute deviation (WQMAD) value (deviation is the difference between the current queue and average queue).

STANDARD OUTPUT ALPHA FACTOR (SALPHA). A weighting factor used to calculate a new average standard output (AVGSO).

ACTUAL OUTPUT ALPHA FACTOR (AALPHA). A weighted averaging factor used to calculate a new average actual output (AVGAO).

EFFICIENCY ALPHA FACTOR (EALPHA). This weighting factor is used to calculate a new average efficiency (AVGEF).

QUEUE RANGE (RANGE). The queue range is a factor used to set limits to print a warning message if the current queue for a work center is exceptionally high or low.

The approximate number of times (given as a percentage) a warning message would be printed for a normal distribution follows:

2.5	4.6
2.0	11.0
1.5	23.0

For example, if you enter a queue range of 2.0, then approximately 11 percent of the work centers will have a warning message printed on the Work Center Analysis report.

DAYS IN PERIOD (DAYS). Type in the number of days since the last order closeout run cleared "this period" accumulation fields. The number of days in the period is used to calculate the work center utilization and output statistics.

TRACKING SIGNAL TRIP (SIGNAL). The tracking signal trip is a factor used to set limits to print a warning message to alert you that the average queue (AVGQT) is lagging behind a trend. As a rough indication, type in the number of days that you want a trend to exist before a warning message is printed. Regulate the number of warning messages by using a higher value to reduce the number of messages and a lower value to increase the number of messages.

[Contents](#)[Index](#)[Exit](#)

AMC532—Order Closeout Options—Routing Current Values Update

Use this display to specify print options for the Routing File Update report.

This display appears when you requesting Routing file update on display AMC530 and only if PC&C is installed.

```

DATE **/**/**          ORDER CLOSEOUT OPTIONS          AMC532  **
                        ROUTING CURRENT VALUES UPDATE

SITE   ***

SELECT ONE OF THE FOLLOWING:

                        1 NO EXCEPTION PRINTING
                        2 EXCEPTION PRINTING WITH TOLERANCE PERCENTAGE
                        3 FULL PRINT

ENTER NUMBER  n

                        F19 RESELECT OPTIONS
                        F24 CANCEL THE JOB

```

What to do

To select your print options, type in a number from 1 to 3 and press **Enter**. The Order Closeout Options – Routing Current Values Update display (AMC533) appears.

Function keys

F19 RESELECT OPTIONS causes display AMC530 to appear again. Any prior data entered is ignored.

F24 CANCEL THE JOB causes the menu to appear. No processing occurs.

Fields

SITE. The site you specified on the Select display.

ENTER NUMBER (ENUM). Specify one of the print options for the type of audit report when updating the current routing values.

- 1 No exception printing
- 2 Exception printing with tolerance percentage
- 3 Full print

Contents	Index	Exit
--------------------------	-----------------------	----------------------

AMC533—Order Closeout Options—Routing Current Values Update

Use this display to specify the tolerance percentages to be used in printing the Routing file Update report.

This display appears when you press **Enter** on display AMC532 if PC&C is installed.

The values shown (as a result of application tailoring selected) may be changed.

```

DATE **/**/**          ORDER CLOSEOUT OPTIONS          AMC533  **
                        ROUTING CURRENT VALUES UPDATE

SITE   ***

ALPHA FACTOR--                .nn

PERCENTAGE OVER TOLERANCE FOR PRINT--  nnn

PERCENTAGE UNDER TOLERANCE FOR PRINT-- nnn

                                F19 RESELECT OPTIONS
                                F24 CANCEL THE JOB

```

What to do

To enter the tolerance percentages, type in the requested information and press **Enter**. The order closeout run is placed on the job queue and the menu appears again.

Function keys

F19 RESELECT OPTIONS causes display AMC530 to appear again. Any prior data entered is ignored.

F24 CANCEL THE JOB causes the menu to appear. No processing occurs.

Fields

SITE. The site you specified on the Select display.

ALPHA FACTOR (ALPHA). This weighted averaging factor is used to average actual setup labor (AVGSL), run labor (AVGRL), and run machine (AVGRM) times back into the Routing file. This field cannot contain zero.

PERCENTAGE OVER TOLERANCE FOR PRINT (OVER).

PERCENTAGE UNDER TOLERANCE FOR PRINT (UNDER). If option 2 was selected on display AMC532, both high and low tolerance limits can be entered. If

Contents	Index	Exit
--------------------------	-----------------------	----------------------

any of the three average fields are changed by a value greater than the limits specified, a message is printed on the Routing file Update Report.

The over tolerance percentage is a whole number that is added to 100 percent; for example, a value of 25 is 125 percent and represents one and one quarter times the old average values. The under tolerance limit, on the other hand, is a whole number subtracted from 100 percent; for example, a value of 25 is 75 percent and represents three quarters of the old average values.

Chapter 7. Physical Inventory

If you select option 5 from the Main Menu, the Physical Inventory menu (AMIM50) appears. This menu has 6 options that allow you to enter and process actual physical count transactions and post them to the Item Balance file for uncontrolled warehouses and to both the Item Balance and Location Quantity files for controlled warehouses. You can select items for total physical inventory or cycle counting, enter counts, print a variance report, and update the on hand balances in the master files.

Option 1. Total Physical Selection (AMIM50)	7-10
Option 2. Cycle Count Selection (AMIM50)	7-19
Option 3. Entry (AMIM50).....	7-25
Option 4. Entry from Offline Files (AMIM50).....	7-35
Option 5. Variance Report (AMIM50)	7-36
Option 6. Physical Inventory Update (AMIM50).....	7-41

```

AMIM50                               Inventory Management          *****
                                     Physical Inventory

Type option or command; press Enter.

  1. Total Physical Selection
  2. Cycle Count Selection
  3. Entry
  4. Entry from Offline Files
  5. Variance Report
  6. Physical Inventory Update

-----

F3=Exit      F4=Prompt   F9=Retrieve  F10=Actions
F11=Job status  F12=Return  F22=Messages
  
```

Option 1. Total Physical Selection. Use this option to print the Physical Inventory List (AMI5B).

Option 2. Cycle Count Selection. Use this option to print the Cycle Count List (AMI5B) based on the method specified in the Item Balance record.

Option 3. Entry. Use this option to enter transactions at a work station.

Option 4. Entry from Offline Files. Use this option to load transactions entered offline and print the edit lists. After you select option 4, your work station is free to go on to other tasks. A Cross Application display (AXVOL1) appears after you select option 4. Before you select this option, the system operator must have the Offline Physical Inventory Data Entry file that you want to process if you are using diskettes.

Option 5. Variance Report. Use this option to print the Inventory Valuation and Variance Report (AMI5H1) in warehouse, item number sequence.

Option 6. Physical Inventory Update. Use this option to update the master files with the Physical Inventory Adjustment (PH) transactions that have been generated by the application and to print the Physical Inventory Transaction Register (AMI5J).

Contents	Index	Exit
--------------------------	-----------------------	----------------------

The Item Balance file is updated for an uncontrolled warehouse. The Location Quantity and Item Balance files are updated for a controlled warehouse.

Application tailoring options

During application tailoring, you are asked to specify if the Physical Inventory and Cycle Count List should include the current on hand quantities. You can change this decision at run time. You can also specify the default sequence of the count list during application tailoring. This decision can also be changed at run time. Another option is to specify whether or not you want to enter your physical count transactions offline. Finally, you can decide not to use the physical inventory function at all. If you answer no to this option in the Install/Tailor Questionnaire, the questions associated with physical inventory are not presented.

How to use physical inventory

Physical inventory is the process of comparing and reconciling actual on hand counts with on hand quantities from the Item Balance file and, if you are using a controlled warehouse, the Location Quantity file also. Since on hand counts are compared between the two master files, your physical inventory results would not be meaningful if you count anything less than all locations for an item.

Two types of physical inventory can be taken:

- Total inventory is taken when all items are counted to update the on hand quantity in the Item Balance and Location Quantity files.
- Cycle count inventory selects only certain items to be counted on a monthly, quarterly, semiannual, or on demand basis.

Selecting items for counting

At the beginning of the physical inventory cycle, during item selection, you can request the application to print the Cycle Count/Physical Inventory List for Controlled/Uncontrolled Warehouses, which serves as a turnaround document for warehouse personnel to record the actual counts. The list includes item number, warehouse location, item description, unit of measure, date of last count, and quantities on hand for the Item Balance file and the Location Quantity file, if requested. Including an item on the list signals the application that you intend to count that item and the application sets the cycle count flag in the Item Balance file for each selected record to 1. If you select items in controlled warehouses and Location Quantity file records exist for the items, the cycle count flag for each location record is also set to 1.

Once you have selected an item and entered a physical count, running the variance report signals the application that you have counted the item, and the application updates the cycle count flag to 2 to indicate that the item and its locations have been counted. Uncounted items, or for controlled warehouses, uncounted locations, continue to print on the Items Selected for Physical Inventory/Cycle Count — No Count Entered report until at least one count is entered, and the variance report is printed.

Counting methods

Several methods are available for selecting items to be cycle counted:

- Transaction activity. Select the item by comparing the number of transactions processed against the item since the last count to a limit recorded in the Item Balance file. For example, count after every 100 transactions.
- Time basis using cycle count codes. Select items by comparing the date since a count was last taken to a date you specify during item selection:
 - If cycle count code is 0, the item will not be selected on a time basis. (It can still be selected on the basis of transaction activity).
 - If cycle count code is 1, 2, or 3, the item will be selected if it is at least one, three, or six months, respectively, since it was last counted.
 - If cycle count code is 4, the item is selected if the **Date for Next Count** field in the Item Balance file has been reached or passed. This date can be set in two ways:

- During physical inventory update (option 6 on Menu AMIM50), this field is set to 999999. If a replenishment order is released for this item (and cycle count code is 4 and **Date for Next Cycle Count** is 999999), the order due date is placed in this field. Physical counts can thus be taken prior to order receipt when the quantity on hand is at a low level.
- During Item Balance file maintenance, this date field can also be manually entered and maintained. It is still updated by the physical inventory update and order release functions, as previously described.
- Forced cycle count. Items are flagged for inclusion in the next cycle count and for printing on the Cycle Count List whenever a transaction causes a negative quantity on hand condition. If the item falls within the range of item numbers you specify for counting during item selection and the balance is negative, the item is selected for counting regardless of cycle count code being 1, 2, 3, or 4. The stockroom cycle counter is expected to determine how many of the item are actually on hand and report the information.

A cycle count is forced also if the on-hand quantity is made negative through file maintenance activities. Thus it is never recommended to change on hand quantity using file maintenance.

During item selection, optional limit fields allow you to further restrict the items flagged for cycle counting according to the previously described methods. These limits are determined by one or more of the following:

- Item number (all or a range of item numbers).
- Item class.
- Warehouse (all or one warehouse).
- Stock/line location (in the Item Balance or Location Quantity file).
- QC status. Items waiting for inspection or rejected can be included or excluded from the count.

During item selection, one optional field allows you to further expand the items flagged for cycle counting. When you are using the transaction activity method described above, you can specify a percentage which is used to modify the Transaction Count Compare (CCOMP) field in the Item Balance file. For example, if the limit (CCOMP) is 100 and the percentage is 15, the item will be flagged for counting after 85 transactions have been processed for the item.

Establishing cutoffs

During item selection, a cutoff quantity is also recorded at both the item level (in the Item Balance file) and, in a controlled warehouse, at the individual location level (in the Location Quantity file). The cutoff quantity will be compared to the on-hand quantity at the time that the Inventory Valuation and Variance report is printed to determine if any transactions have been processed against an item since the physical inventory cycle began. Any differences found will be printed on the Inventory Valuation and Variance report as the Transaction Activity Difference and can be used as an aid in reconciling quantity differences.

Entering actual counts

You can enter counts directly from the Physical Count List or Cycle Count List if you are using it as a turnaround document. You can also enter counts in an offline batch. When you process a batch using the offline entry option, the system creates a suspended batch. The suspended batch must be closed before the data is processed further.

If two or more entries are made for the same warehouse/item/location combination, the application assumes that multiple counts were made. The counts are combined, and the sum is used to determine the variance for that location as recorded in the Location Quantity file. Thereafter, all counts for the same warehouse/item combination (all locations) are combined to determine the variance against the Item Balance file.

If multiple counts are entered for the same warehouse/item/location combination in multiple batches, the Physical Inventory Update should be run for all batches rather than individually. File updates could be significantly different if multiple counts are updated in separate batches.

If a count is entered for an item that is physically present in a controlled warehouse but the corresponding inventory transaction or file maintenance activity has not yet been processed to create a Location Quantity record, a warning message appears. During physical inventory update, a record is added to the Location Quantity file, and the on hand quantity in the Item Balance record is increased to reflect this addition.

Analyzing the variance report

After a count is entered for an item, a variance is calculated at the item level for items in an uncontrolled warehouse or at the individual location level for items in a controlled warehouse. This variance is printed on the Inventory Valuation and Variance report as the **Quantity Difference** field. This field is calculated as actual counted quantity minus the quantity on hand at the time you entered the count.

Review the variance report to ensure that the counts entered are correct and that the recommended adjustments are acceptable. Review the Physical Inventory/Cycle Count–No Count Entered report to ensure that no item you selected for counting remains on the report.

Transactions accepted with errors using **F17** are shown on the variance report with a message. They must be corrected and edited again using work station entry. (If you do not correct these transactions, they will be lost during the physical inventory update run).

If you want to correct any count transaction that is part of a series of entries for the same warehouse/item/location combination, you can retrieve the transaction and make the necessary change, or you can enter a new transaction with a quantity that will adjust the total Counted Quantity to the desired level.

When you have completed your corrections, request another variance report to verify your changes.

In addition to the **Cutoff Quantity**, **Transaction Activity Difference**, and **Quantity Difference** fields, the report shows you the valuation of inventory variances, which the application calculates by multiplying the Quantity Difference by the unit cost. (If the **Unit Cost** field in the Item Balance record is blank, the standard default unit cost in the Item Master record is used.) For controlled warehouses, the report shows you items in individual locations and their associated batch/lot and FIFO dates if you chose these options during application tailoring.

Updating the master files

Finally, the master files are updated by adjusting the on hand quantities by the variance quantities, not by replacing the on hand quantities with the actual count quantities. An adjustment transaction is used for this purpose. If the variance (Quantity Difference) is negative, the on hand balance is decreased by the variance. If the variance (Quantity Difference) is positive, the on hand balance is increased by the variance.

The Physical Transaction Register is printed, showing the transactions that updated the files. In addition, any item with order policy code B or C that has reached its order point is flagged on the report. A listing is also printed showing any transactions that were accepted with errors during Physical Inventory Entry or were found to be in error during the update run.

The QC status of items is checked during the update run to determine if the date has been reached when shelf life expires. If so, the QC Type Code of the item is set to 6 (shelf life expired). The Location Quantity file and the Item Balance file are updated with the count entered.

If counts are entered for items whose QC Type Code is 8 (rejected), 7 (manufactured item waiting inspection on receipt), or 9 (purchase item waiting inspection on receipt), neither the Location Quantity file nor the Item Balance file are updated.

If transaction history was selected during application tailoring, Physical Inventory Adjustment (PH) transactions are also added to the Transaction History file.

See Chapter 16, "Accounting controls and audits" for details on posting accounting controls from the Physical Transaction Register.

Timing of physical and cycle counting

It is critical to the accuracy of your inventory records that transactions be entered into the system in the same sequence in which they occur. Specifically, you must have updated the Item Balance and Location Quantity files with transactions for all receipts and issues that occurred before the count was taken and ensure that no negative balances exist.

To confirm that your master files are in agreement, run the Location Quantity Audit option (menu AMIM79) prior to the count. For every item where the Item Balance on hand quantity does not equal the total of that item's individual location quantities, the Item Balance quantity on hand is printed along with the Location Quantity balance. This out-of-balance condition could be caused by the following conditions:

- The Item Balance on hand quantity was changed through Item Balance file maintenance without a corresponding Location Quantity file maintenance change.

Note: If the Transaction History function was selected during application tailoring, the Item Balance on hand quantity cannot be changed using file maintenance.

- The on hand quantity in the Location Quantity file was changed without a corresponding Item Balance file change. Item Balance and Location Quantity file maintenance are never recommended because out-of-balance conditions can easily occur through failure to change both files or keying errors.

- Items with the status QC due are included in the on hand quantity in the Item Balance file. Items waiting QC inspection or rejected are not included in the on hand quantity calculations. These latter QC items should be tested and the appropriate transaction entered so that the Location Quantity and Item Balance files are in agreement before item selection is made.

You should resolve the cause of the out-of-balance condition so that the Location Quantity/Item Balance Audit report can be run with no items selected prior to doing the physical inventory selection.

You can determine the cause of discrepancies shown on the audit report by using the Location Detail by Item/Warehouse inquiry to see what quantities are not approved for use. You can also use the Location Stock Status report.

Also, you must not update the Item Balance file with any receipt or issue transactions that occurred after you took the count, until you have entered the actual counts. The Quantity Difference value is calculated by the application when you enter the actual counts.

Figure 7-1 shows the sequence of events and critical cutoff points for warehouse activity, inventory transaction processing, file maintenance, and physical inventory processing. You can see which activities are concurrent and which are sequential and how the warehouse environment interacts with application processing.

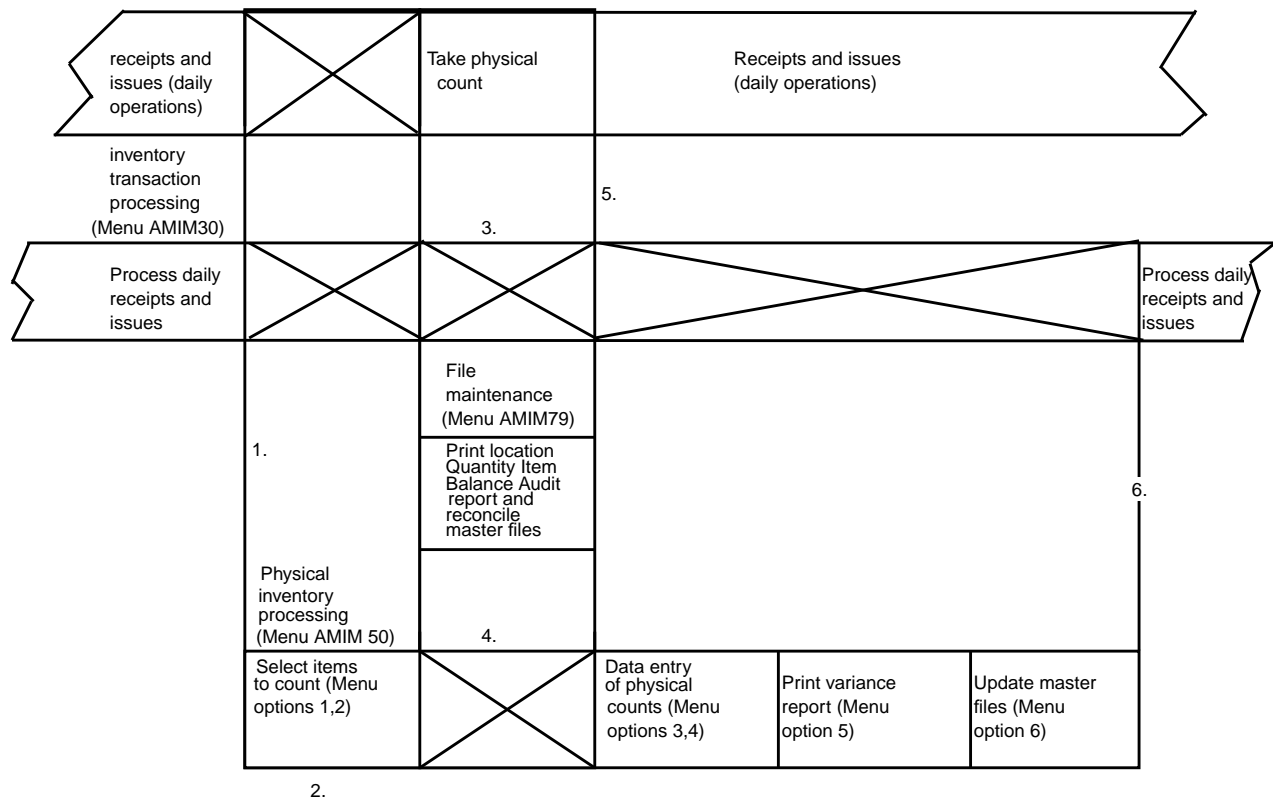


Figure 7-1. Critical cutoff points for physical inventory activities

The critical cutoff points are:

- 1** All receipts into and all issues out of the warehouse must be cut off before starting a physical count. All inventory transactions must be processed.
- 2** Select items to be counted and print the Physical Inventory/Cycle Count List, which can serve as a turnaround document.
- 3** Conduct the physical inventory in the warehouse.
- 4** Run the Location Quantity/Item Balance Audit Report that performs an audit of the on hand quantity in the Location Quantity and Item Balance files. Reconcile the master files.
- 5** All physical counting must be completed before resuming receipts into and issues out of the warehouse.
- 6** No receipt and issue transactions should be processed until the Variance Report is satisfactory and the physical inventory update has been run.

Counting by control group

If you use cycle counting, the counting can be done throughout the year by trained personnel, enabling you to identify and eliminate causes of inaccurate inventory records on a timely basis. To monitor the effectiveness of your counting practices, you can establish a small set of items, called a control group, which is frequently counted. When an inventory record is wrong for any of the control group items, you can usually identify the cause since the error occurred during a known short period of time. Pinpointing the cause allows you to change the practices that created the error originally and prevent widespread problems with inventory accuracy.

A suggested method of setting up the control group is to use a transaction count compare limit of 1 in the Item Balance record for every item in the control group. Then, every item in the control group which has had any activity since the last cycle count is printed on the Cycle Count List, requiring immediate follow up.

Option 1. Total Physical Selection (AMIM50)

Use this option when you need to print the Physical Inventory List, which is used for recording actual physical counts for all items in controlled or uncontrolled warehouses.

After you print the Physical Inventory List, be sure to:

1. Do a physical count of the items on the list
2. Enter the physical counts using one of the following options on the Physical Inventory menu (AMIM50):
 - Option 1 (Entry)
 - Option 2 (Entry from Offline Files).

What information you need:

- The printing sequence of the listing:
 - By item
 - By warehouse
 - By stock location.
- The warehouse whose items you want to appear on the report, if you are not printing all warehouses.
- The beginning and ending item numbers and stock locations, if you are not printing all items and stock locations in a controlled or uncontrolled warehouse.
- The beginning and ending item classes, if you are not printing all item classes in an uncontrolled warehouse.
- The decision to count or not count items waiting for inspection or rejected in a controlled warehouse.

What reports are printed: Physical Inventory List (AMI5B).

What forms you need: None.

The basic steps to print a report follow each display.

AMI5A0—Physical Inventory Selection (Caution)

Use this display to decide whether to print the Physical Inventory List or the Cycle Count List and select for physical counting all the items in the report.

This display appears when you select option 1 or option 2 on the Physical Inventory menu (AMIM50). The display reminds you that all items you include in the Physical Inventory List (AMI5B) or in the Cycle Count List (AMI5B) are marked for counting. Once selected, the items continue to appear on the Items Selected for Physical Inventory/Cycle Count – No Count Entered report (AMI5H2) until you enter a count for them.

```
DATE **/**/**          PHYSICAL INVENTORY SELECTION          AMI5A0  **

                          C A U T I O N

THE MENU OPTION CHOSEN WILL SET THE PHYSICAL COUNT SELECTION FLAG ON FOR
THE ITEM NUMBERS SELECTED WITHIN THE LIMITS ON THE FOLLOWING SCREEN.

DO YOU WANT TO CONTINUE <Y/N>          A

                                          F24 CANCEL THE JOB
```

What to do

To continue, type in **Y** or **N** and press **Enter**.

- If you typed in **Y**, the Physical Inventory Selection Report Options display (AMI5A1) appears so that you can select the warehouse(s) to include on the report.
- If you typed in **N**, a report is not scheduled for printing and no items are identified for counting. The Physical Inventory menu (AMIM50) appears again.

Function keys

F24 CANCEL THE JOB causes no report to be scheduled for printing and no items to be identified for counting. The Physical Inventory menu (AMIM50) appears again.

Contents	Index	Exit
--------------------------	-----------------------	----------------------

Fields

DO YOU WANT TO CONTINUE <Y/N>. Type in one of the following codes:

- N** Do not select the report and the items.
- Y** Select items for the report and for physical or cycle counting. This is the default.

AMI5A1—Physical Inventory Selection Report Options

Use this display to specify the warehouse(s) for printing the Physical Inventory List or Cycle Count List.

This display appears when you select option 1 or 2 on the Physical Inventory menu (AMIM50) and type in **Y** on the Physical Inventory Selection display (AMI5A0). On this display, you define whether items in controlled or uncontrolled warehouse(s) or both are to be physically counted.

This display does not appear if you have only one warehouse defined in the Warehouse Master file and PM&C is not installed and interfacing.

```
DATE **/**/**          PHYSICAL INVENTORY SELECTION          AMI5A1  **
                        REPORT OPTIONS

SELECT WAREHOUSES:

      1 CONTROLLED WAREHOUSES
      2 UNCONTROLLED WAREHOUSES
      3 BOTH

ENTER SELECTION n

PRINT PHYSICAL INVENTORY TAGS <Y/N>  A

F24 CANCEL THE JOB
```

What to do

To select the warehouses to include in the list, type in the appropriate option and press **Enter**.

- If you selected option 1 on the Physical Inventory menu (AMIM50) and typed 1 or 3 in the **ENTER SELECTION** field, the Total Physical Selection – Controlled Warehouse Report Options display (AMI5A2) appears.
- If you selected option 1 on the Physical Inventory menu (AMIM50) and typed 2 in the **ENTER SELECTION** field, the Total Physical Selection – Uncontrolled Warehouse Report Options display (AMI5A3) appears.
- If you selected option 2 on the Physical Inventory menu (AMIM50) and typed 1 or 3 in the **ENTER SELECTION** field, the Cycle Count Selection – Controlled Warehouse Report Options display (AMI5A4) appears.
- If you selected option 2 on the Physical Inventory menu (AMIM50) and typed 2 in the **ENTER SELECTION** field, the Cycle Count Selection – Uncontrolled Warehouse Report Options display (AMI5A5) appears.

Contents	Index	Exit
--------------------------	-----------------------	----------------------

Function keys

F24 CANCEL THE JOB causes the Physical Inventory menu (AMIM50) to appear again.

Fields

ENTER SELECTION. Required. The type of warehouse(s) selected for physical counting. Type in one of the following codes:

- 1** Controlled Warehouses. Only items in controlled warehouses are counted in this job.
- 2** Uncontrolled Warehouses. Only items in uncontrolled warehouses are counted in this job.
- 3** All Warehouses. Items in both controlled and uncontrolled warehouses are counted in this job.

This field appears only if you have more than one warehouse defined in the Warehouse Master file and you have both controlled and uncontrolled warehouses.

PRINT PHYSICAL INVENTORY TAGS <Y/N>. Type in **N** if you do not want to print bar coded physical inventory tags or accept the default of Y if you do want to print the tags. This field appears only if PM&C is installed and interfacing with IM.

AMI5A2—Total Physical Selection—Controlled Warehouses Report Options

Use this display to specify the options for printing the Physical Inventory List for a controlled warehouse.

This display appears when you select option 1 on the Physical Inventory menu (AMIM50), type in **Y** on the Physical Inventory Selection display (AMI5A0) and one of the following is true:

- You type in 1 or 3 in the **ENTER SELECTION** field on the Physical Inventory Selection Report Options display (AMI5A1)
- PM&C is installed and interfacing, you have only controlled warehouses, and you type in **Y** or **N** in the **PRINT PHYSICAL INVENTORY TAGS <Y/N>** field on AMI5A1
- PM&C is not installed and interfacing and all of the warehouses in the Warehouse Master file are defined as controlled.

On this display, you define the format and content of the report and identify items that are to be physically counted. The application automatically marks all items printed on this report as items to be counted. All items for which you do not enter counts appear on the Items Selected for Physical/Cycle Count – No Count Entered report (AMI5H2) if you print it when you print an Inventory Valuation and Variance report (AMI5H1).

```
DATE **/**/**          TOTAL PHYSICAL SELECTION          AMI5A2  **
                        CONTROLLED WAREHOUSES REPORT OPTIONS

SELECT REPORT SEQUENCE: n
                        1 ITEM
                        2 WAREHOUSE
                        3 STOCK/LINE LOCATION

QUANTITY ON HAND: n
                        1 WILL PRINT
                        2 WILL NOT PRINT

OPTIONAL REPORT LIMITS:
                        WAREHOUSE          aA3
                        ITEM NUMBERS      FROM- aaaaaaaaaA15  TO- aaaaaaaaaA15
                        CLASSES          FROM- aaA4           TO- aaA4
                        STOCK/LINE LOCATION FROM- aaaaaA7       TO- aaaaaA7

INCLUDE LINE LOCATIONS <Y/N>: A
COUNT UNAPPROVED ITEMS <Y/N>: A

                                F19 RETURN TO SELECT
                                F24 CANCEL THE JOB
```

What to do

To print the report, type in your choices for the format and content of the report and press **Enter**.

- If you typed 1 in the **ENTER SELECTION** field on display AMI5A1, a Physical Inventory List with the options you specified is scheduled for printing and the Physical Inventory menu (AMIM50) appears again.

Contents	Index	Exit
--------------------------	-----------------------	----------------------

- If you typed 2 in the **ENTER SELECTION** field on display AMI5A1, the Total Physical Selection – Uncontrolled Warehouse Report Options display (AMI5A3) appears.

Function keys

F19 RETURN TO SELECT causes no report to be scheduled for printing and the Physical Inventory Selection Report Options display (AMI5A1) to appear again.

F24 CANCEL THE JOB causes no report to be scheduled for printing and the Physical Inventory menu (AMIM50) to appear again.

Fields

SELECT REPORT SEQUENCE. Depending on the answer given during application tailoring, 1, 2, or 3 appears as the default. To print the report in a different sequence, type in another number.

- 1 Item
- 2 Warehouse
- 3 Stock location

QUANTITY ON HAND. Depending on the answer given during application tailoring, 1 or 2 appears. To change the option, type in another number.

- 1 Will print.
- 2 Will not print.

OPTIONAL REPORT LIMITS. The following fields allow you to specify limits for printing the report. If no limits are entered, all items are printed. You can use one or any combination of these limits.

WAREHOUSE. If you have multiple warehouses defined in the Warehouse Master file, type in the code of the warehouse to be used on the report. If you have multiple warehouses and you leave this field blank, all warehouses are shown on the report. If you have only one warehouse, the warehouse defined in the Warehouse Master file appears in this field and cannot be changed.

ITEM NUMBERS FROM/TO. Type in the range of item numbers to appear on the report.

CLASSES FROM/TO. The range of item classes you want printed on the report. You can use this field only if you selected to sequence your report by Item or Warehouse.

STOCK LOCATION FROM/TO. Type in the range of locations, as stored in the Location Detail file, to appear on the report. **STOCK LOCATION** is replaced by **STOCK LOCATION** if REP is installed and interfacing.

INCLUDE LINE LOCATIONS <Y/N>. Type in **Y** to include items stocked at line locations in the report. Otherwise, type in **N**. This field is only available if REP is installed and interfacing.

COUNT UNAPPROVED ITEMS <Y/N>. Type in **Y** to include items waiting for inspection or rejected in the count. Otherwise, accept the default of **N**.

AMI5A3—Total Physical Selection—Uncontrolled Warehouses Report Options

Use this display to specify the options for printing the Physical Inventory List for an uncontrolled warehouse.

This display appears when you select option 1 on the Physical Inventory menu (AMIM50), type in **Y** on the Physical Inventory Selection display (AMI5A0) and one of the following is true:

- You type in **2** in the **ENTER SELECTION** field on the Physical Inventory Selection Report Options display (AMI5A1)
- PM&C is installed and interfacing, you have only uncontrolled warehouses, and you type in **Y** or **N** in the **PRINT PHYSICAL INVENTORY TAGS <Y/N>** field on AMI5A1
- PM&C is not installed and interfacing and all of the warehouses in the Warehouse Master file are defined as uncontrolled.

On this display, you define the format and content of the report and identify items that are to be physically counted. The application automatically marks all items printed on this report as items to be counted. All items for which you do not enter counts appear on the Items Selected for Physical/Cycle Count – No Count Entered report (AMI5H2) if you print it when you print an Inventory Valuation and Variance report (AMI5H1).

```
DATE **/**/**                TOTAL PHYSICAL SELECTION                AMI5A3 **
                               UNCONTROLLED WAREHOUSES REPORT OPTIONS

SELECT REPORT SEQUENCE: n
    1 ITEM
    2 WAREHOUSE
    3 STOCK LOCATION

QUANTITY ON HAND: n
    1 WILL PRINT
    2 WILL NOT PRINT

OPTIONAL REPORT LIMITS:
WAREHOUSE                    aA3
ITEM NUMBERS FROM- aA15      TO- aA15
CLASSES FROM- aA4           TO- aA4
STOCK LOCATION FROM- aA5     TO- aA5

                                F19 RETURN TO SELECT
                                F24 CANCEL THE JOB
```

What to do

To print the report, type in your choices and press **Enter**. A Physical Inventory List with the options you specified is scheduled for printing and the Physical Inventory menu (AMIM50) appears again.

Contents	Index	Exit
--------------------------	-----------------------	----------------------

Function keys

F19 RETURN TO SELECT causes no report to be scheduled for printing and the Physical Inventory Selection Report Options display (AMI5A1) to appear again.

F24 CANCEL THE JOB causes no report to be scheduled for printing and the Physical Inventory menu (AMIM50) to appear again.

Fields

SELECT REPORT SEQUENCE. Depending on the answer given during application tailoring, 1, 2, or 3 appears. To print the report in a different sequence, type in another number.

- 1 Item
- 2 Warehouse
- 3 Stock location

QUANTITY ON HAND. Depending on the answer given during application tailoring, 1 or 2 appears. To change the option, type in another number.

- 1 Will print.
- 2 Will not print.

OPTIONAL REPORT LIMITS. The following fields allow you to specify limits for printing the report. If no limits are entered, all items are printed. You can use one or any combination of these limits.

WAREHOUSE. If you have multiple warehouses defined in the Warehouse Master file, type in the code of the warehouse to be used on the report. If you have multiple warehouses and you leave this field blank, all warehouses are shown on the report. If you have only one warehouse, the warehouse defined in the Warehouse Master file appears in this field and cannot be changed.

ITEM NUMBERS FROM/TO. Type in the range of item numbers to appear on the report.

CLASSES FROM/TO. Type in the range of item classes to appear on the report.

STOCK LOCATION FROM/TO. Type in the range of stock locations, as stored in the Item Balance file, to print on the report.

Option 2. Cycle Count Selection (AMIM50)

Use this option when you need to print the Cycle Count List, which is used for recording actual physical counts for selected items in controlled or uncontrolled warehouses based on the cycle counting logic in effect.

After printing the Cycle Count List, be sure to:

1. Do a physical count of the items on the list
2. Enter the physical counts using one of the following options on the Physical Inventory menu (AMIM50):
 - Option 3 (Entry)
 - Option 4 (Entry From Offline Files).

What information you need:

- The printing sequence of the listing:
 - By item
 - By warehouse
 - By stock location.
- A transaction tolerance percent, if desired.
- A cut-off date, if you want to print all items with a cycle count due date on or before a specific date.
- The warehouse whose items you want to appear on the report, if you are not printing all warehouses.
- The beginning and ending item numbers and stock locations, if you are not printing all items and stock locations in a controlled or uncontrolled warehouse.
- The beginning and ending item classes if you are not printing all item classes in an uncontrolled warehouse.
- The decision to count or not count items waiting for inspection or rejected in a controlled warehouse.

What reports are printed: Cycle Count List (AMI5B).

What forms you need: None.

The basic steps to print a cycle count list follow each display.

AMI5A4—Cycle Count Selection—Controlled Warehouses Report Options

Use this display to specify the options for printing the Cycle Count List.

This display appears when you select option 2 on the Physical Inventory menu (AMIM50), type in **Y** on the Physical Inventory Selection display (AMI5A0) and one of the following is true:

- You type in **1** or **3** in the **ENTER SELECTION** field on the Physical Inventory Selection Report Options display (AMI5A1)
- PM&C is installed and interfacing, you have only controlled warehouses, and you type in **Y** or **N** in the **PRINT PHYSICAL INVENTORY TAGS <Y/N>** field on AMI5A1
- PM&C is not installed and interfacing and all of the warehouses in the Warehouse Master file are defined as controlled.

On this display, you define the format and content of the report and identify items that are to be counted. The application automatically marks all items printed in this report as items to be counted. All the items for which you do not enter counts appear on the Items Selected for Physical/Cycle Count – No Count Entered report (AMI5H2) if you print it when you print an Inventory Valuation and Variance report (AMI5H1).

```

DATE **/**/**                CYCLE COUNT SELECTION                AMI5A4  **
                             CONTROLLED WAREHOUSES REPORT OPTIONS

SELECT REPORT SEQUENCE: n          QUANTITY ON HAND: n
  1 ITEM                          1 WILL PRINT
  2 WAREHOUSE                      2 WILL NOT PRINT
  3 STOCK/LINE LOCATION

TRANSACTION TOLERANCE PERCENT: nn    CYCLE COUNT DUE DATES BEFORE: nnnnnn

OPTIONAL REPORT LIMITS:
  WAREHOUSE                        aA3
  ITEM NUMBERS FROM- aaaaaaaaaaA15  TO- aaaaaaaaaaaaaA15
  CLASSES FROM- aaA4                TO- aaA4
  STOCK/LINE LOCATION FROM- aaaaaA7  TO- aaaaaA7

INCLUDE LINE LOCATIONS <Y/N>: A
COUNT UNAPPROVED ITEMS <Y/N>: A

                                     F19 RETURN TO SELECT
                                     F24 CANCEL THE JOB

```

What to do

To print the report, type in your options and press **Enter**.

- If you typed 1 in the **ENTER SELECTION** field on display AMI5A1, a Cycle Count List with the options you specified is scheduled for printing and the Physical Inventory menu (AMIM50) appears again.

Contents	Index	Exit
-----------------	--------------	-------------

- If you typed **2** in the **ENTER SELECTION** field on display AMI5A1, the Cycle Count Selection – Uncontrolled Warehouse Report Options display (AMI5A5) appears.

Function keys

F19 RETURN TO SELECT causes no report to be scheduled for printing and the Physical Inventory Selection Report Options display (AMI5A1) to appear again.

F24 CANCEL THE JOB causes no report to be scheduled for printing and the Physical Inventory menu (AMIM50) to appear again.

Fields

SELECT REPORT SEQUENCE. Depending on the answer given during application tailoring, 1, 2, or 3 appears as the default. To print the report in a different sequence, type in another number.

- | | |
|----------|----------------|
| 1 | Item |
| 2 | Warehouse |
| 3 | Stock location |

QUANTITY ON HAND. Depending on the answer given during application tailoring, 1 or 2 appears. To change the option, type in another number.

- | | |
|----------|-----------------|
| 1 | Will print. |
| 2 | Will not print. |

TRANSACTION TOLERANCE PERCENT. You can select items for cycle counting when the number of transactions has reached within a specified percent of a limit value in the **TRANSACTION COUNT COMPARE** field in the Item Balance file. For example, if the limit is 100 for an item and you type 15 in **TRANSACTION TOLERANCE PERCENT**, that item is printed if it has had 85 or more transactions since it was last counted.

CYCLE COUNT DUE DATES BEFORE. You can specify that only those items having a date of next cycle count on or before the date you type in this field are printed. You can accept the system date default.

OPTIONAL REPORT LIMITS. The following fields allow you to specify limits for printing the report. If no limits are entered, all items are printed. You can use one or any combination of these limits.

WAREHOUSE. If you have multiple warehouses defined in the Warehouse Master file, type in the code of the warehouse to be used on the report. If you have multiple warehouses and you leave this field blank, all warehouses are shown on the report.

If you have only one warehouse, the warehouse defined in the Warehouse Master file appears in this field and cannot be changed.

ITEM NUMBERS FROM/TO. Type in the range of item numbers to be printed on the report.

CLASSES FROM/TO. The range of item classes you want printed on the report. You can use this field only if you selected to sequence your report by Item or Warehouse.

Contents	Index	Exit
--------------------------	-----------------------	----------------------

STOCK LOCATION FROM/TO. Type in the range of locations, as stored in the Location Detail file, to be printed on the report. **STOCK LOCATION** is replaced by **STOCK/LINE LOCATION** if REP is installed and interfacing.

INCLUDE LINE LOCATIONS <Y/N>. Type in **Y** to include items stocked at line locations in the report. Otherwise, type in **N**. This field is only available if REP is installed and interfacing.

COUNT UNAPPROVED ITEMS <Y/N>. Type in **Y** to include items waiting for inspection or rejected in the count. Otherwise, accept the default of N.

AMI5A5—Cycle Count Selection—Uncontrolled Warehouses Report Options

Use this display to specify the options for printing the Cycle Count List.

This display appears when you select option 2 on the Physical Inventory menu (AMIM50), type in **Y** on the Physical Inventory Selection display (AMI5A0) and one of the following is true:

- You type in **2** in the **ENTER SELECTION** field on the Physical Inventory Selection Report Options display (AMI5A1)
- PM&C is installed and interfacing, you have only uncontrolled warehouses, and you type in **Y** or **N** in the **PRINT PHYSICAL INVENTORY TAGS <Y/N>** field on AMI5A1
- PM&C is not installed and interfacing and all of the warehouses in the Warehouse Master file are defined as uncontrolled.

On this display, you define the format and content of the report and identify items that are to be counted. The application automatically marks all items printed in this report as items to be counted. All the items for which you do not enter counts appear on the Items Selected for Physical/Cycle Count – No Count Entered report (AMI5H2) if you print it when you print an Inventory Valuation and Variance report (AMI5H1).

```
DATE **/**/**                CYCLE COUNT SELECTION                AMI5A5  **
                               UNCONTROLLED WAREHOUSES REPORT OPTIONS

SELECT REPORT SEQUENCE: n          QUANTITY ON HAND: n
  1 ITEM                          1 WILL PRINT
  2 WAREHOUSE                      2 WILL NOT PRINT
  3 STOCK LOCATION

TRANSACTION TOLERANCE PERCENT: nn    CYCLE COUNT DUE DATES BEFORE: nnnnnn

OPTIONAL REPORT LIMITS:
  WAREHOUSE                        aA3
  ITEM NUMBERS FROM- aaaaaaaaaaA15  TO- aaaaaaaaaaaaaA15
  CLASSES FROM- aaA4                TO- aaA4
  STOCK LOCATION FROM- aaaA5        TO- aaaA5

                                     F19 RETURN TO SELECT
                                     F24 CANCEL THE JOB
```

What to do

To print the report, type in your options and press **Enter**. A Cycle Count List with the options you specified is scheduled for printing and the Physical Inventory menu (AMIM50) appears again.

Function keys

F19 RETURN TO SELECT causes no report to be scheduled for printing and the Physical Inventory Selection Report Options display (AMI5A1) to appear again.

F24 CANCEL THE JOB causes no report to be scheduled for printing and the Physical Inventory menu (AMIM50) to appear again.

Fields

SELECT REPORT SEQUENCE. Depending on the answer given during application tailoring, 1 or 2 appears. To print the report in a different sequence, type in another number.

- 1 Item
- 2 Warehouse
- 3 Stock location

QUANTITY ON HAND. Depending on the answer given during application tailoring, 1 or 2 appears. To change the option, type in another number.

- 1 Will print.
- 2 Will not print.

TRANSACTION TOLERANCE PERCENT. You can select items for cycle counting when the number of transactions has reached within a specified percent of a limit value in the **TRANSACTION COUNT COMPARE** field in the Item Balance file. For example, if the limit is 100 for an item and you type 15 in **TRANSACTION TOLERANCE PERCENT**, that item is printed if it has had 85 or more transactions since it was last counted.

CYCLE COUNT DUE DATES BEFORE. You can specify that only those items having a date of next cycle count on or before the date you type in the field are to be printed. You can accept the system date default.

OPTIONAL REPORT LIMITS. The following fields allow you to specify limits for printing the report. If no limits are entered, all items are printed. You can use one or any combination of these limits.

WAREHOUSE. If you have multiple warehouses defined in the Warehouse Master file, type in the code of the warehouse to be used on the report. If you have multiple warehouses and you leave this field blank, all warehouses are shown on the report. If you have only one warehouse, the warehouse defined in the Warehouse Master file appears in this field and cannot be changed.

ITEM NUMBERS FROM/TO. Type in the range of item numbers to appear on the report.

CLASSES FROM/TO. Type in the range of item classes to appear on the report.

STOCK LOCATION FROM/TO. Type in the range of stock locations, as stored in the Item Balance file, to appear on the report.

Option 3. Entry (AMIM50)

Use this option when you need to enter (add) a new physical inventory transaction to a batch or review (look at, change, or delete) a physical inventory transaction already in the batch. You must also use these steps to close previously loaded offline physical inventory transaction batches.

Before entering any transactions, make sure you have:

1. Printed a physical count list using one of the following options on the Physical Inventory menu (AMIM50):
 - Option 1 (Physical Count Selection)
 - Option 2 (Cycle Count Selection).
2. Physically counted the quantity on hand for each item printed.

After entering the transactions, be sure to check any variances between the actual physical counts and the current counts in the Item Balance file (for uncontrolled warehouses) or the Location Quantity file (for controlled warehouses) using option 5 (Variance Report) on the Physical Inventory menu (AMIM50).

What information you need: None.

What reports are printed: Physical Inventory Batch Control Update (AMI5X).

What forms you need: None.

The basic steps to enter or review inventory transactions follow each display.

AMI5Z1—Physical Inventory Data Entry Control

Use this display to select a new batch or an old batch whose status is active, closed, or suspended.

This display appears when you select option 3 on the Physical Inventory menu (AMIM50).

Note: This display prevents additional work stations from starting Physical Inventory data entry. You should respond immediately or cancel the job.

```

DATE **/**/**           PHYSICAL INVENTORY TRANSACTION           AMI5Z1 **
                        DATA ENTRY CONTROL

ENTER BATCH NUMBER nnn           BATCHES CURRENTLY IN USE ***
BATCH *--ORIGINAL--* *----LAST----*           LOCATE BATCH nnn
NO.  WSID  OPID  WSID  OPID  STATUS  DATE  USED  ERRORS
***  *****  ***  *****  ***  *****  **/**  *****  *****
***  *****  ***  *****  ***  *****  **/**  *****  *****
***  *****  ***  *****  ***  *****  **/**  *****  *****
***  *****  ***  *****  ***  *****  **/**  *****  *****
***  *****  ***  *****  ***  *****  **/**  *****  *****
***  *****  ***  *****  ***  *****  **/**  *****  *****
***  *****  ***  *****  ***  *****  **/**  *****  *****
***  *****  ***  *****  ***  *****  **/**  *****  *****
***  *****  ***  *****  ***  *****  **/**  *****  *****
***  *****  ***  *****  ***  *****  **/**  *****  *****
***  *****  ***  *****  ***  *****  **/**  *****  *****
***  *****  ***  *****  ***  *****  **/**  *****  *****
***  *****  ***  *****  ***  *****  **/**  *****  *****
***  *****  ***  *****  ***  *****  **/**  *****  *****
***  *****  ***  *****  ***  *****  **/**  *****  *****
***  *****  ***  *****  ***  *****  **/**  *****  *****
***  *****  ***  *****  ***  *****  **/**  *****  *****

USE ROLL UP/DOWN
F04 NEW BATCH
F24 CANCEL THE JOB
    
```

What to do

- To begin a new batch, press **F04** and then **Enter**. Display AMI5E1 appears.
- To select an existing batch, type in the batch number and press **Field Exit** and **Enter**. Display AMI5E2 appears so you can work on the batch corresponding to the batch number you typed in.

Function keys

ROLL UP/DOWN scrolls up and down through the list of batches on the display.

F04 NEW BATCH starts a new batch and the Physical Inventory (Enter) display (AMI5E1) appears.

F24 CANCEL THE JOB ignores the data you entered on this display and causes the Physical Inventory menu (AMIM50) to appear again.

Fields

BATCHES CURRENTLY IN USE. The number of batches in process regardless of status.

Contents	Index	Exit
--------------------------	-----------------------	----------------------

ENTER BATCH NUMBER. Required for review and change. Type in the number of a specific batch to review or change. You are then attached to that batch, and the next display you see is the first record in the batch.

LOCATE BATCH. The number of the batch to locate. This field is used to search for a specific batch with which you want to work. To quickly see the data entry control information for a batch, type in the batch number in this field. This display appears again with the requested batch on the first line of the list of batches.

BATCH NO. The sequential number assigned by the application to identify the batch.

ORIGINAL.

WSID (Original work station identification). The work station where transactions for the batch were originally entered. For offline batches, asterisks appear.

OPID (Original operator identification). The ID of the operator who entered the batch. The operator ID appears only if security is activated. For offline batches, asterisks appear.

LAST.

WSID (Last work station identification). The work station where the batch was last selected. For offline batches, asterisks appear.

OPID (Last operator identification). The ID of the operator who last selected the batch. The operator ID appears only if security is activated. For offline batches, asterisks appear.

STATUS. The batch status. It is one of the following codes:

ACTIVE The batch is incomplete because of some abnormal condition. An active online batch can be selected only from the work station that last selected that batch. An active offline batch can be selected from any work station, if the batch is not being acted on by a program.

SUSPND The system operator has selected F23 on the Physical Inventory Entry Batch Status display (AMI5E3) to suspend the batch. More transactions can be entered in the batch. A suspended batch can be selected from any work station.

CLOSED The system operator has selected F24 on the Physical Inventory Entry Batch Status display (AMI5E3) to close the batch. The application can now use the batch to print the Physical Inventory Transaction Register (AMI5J) and, in a batch update mode, update the master files.

UPDATE The application has selected the batch for updating the master files.

FINISH The batch has been applied to the master files but the transactions remain in the batch until the files are saved.

DATE. The creation date or date of last activity for the batch.

RECORDS USED. The number of transaction records in the batch.

RECORDS ERRORS. The number of transaction records that the application has detected to be in error.

AMI5E1—Physical Inventory (Enter)

Use this display to enter the actual physical count of items.

This display appears when you press **F04** on the Physical Inventory Data Entry Control display (AMI5Z1).

DATE **/**/**	PHYSICAL INVENTORY	ENTER	AMI5E1 **
WAREHOUSE	DATE	ITEM NUMBER	ACTUAL COUNTED
aA3	nnnnnn	aaaaaaaaaaaaA15	nnnnnnn.nnn
LOCATION	BATCH/LOT	FIFO DATE	
aaaaaA7	aaaaaaaA10	nnnnnn	
F03 PAGE BACKWARD F17 ACCEPT W/ERROR F24 DISPLAY STATUS			

What to do

To enter actual counts, type in the requested information and press **Enter**.

- If one or more error messages appear, the data cannot be processed. You must change it or use **F17** to accept it with error.
- If only information or warning messages appear, press **Enter** again to process the data shown. If the data is not correct, you should change it before pressing Enter again.
- If there are no errors, the transaction is processed and display AMI5E1 appears again, allowing entry of another count.

Function keys

F03 PAGE BACKWARD places the work station into review mode. Review mode allows you to page forward or backward through the batch and to change or delete records as required.

F17 ACCEPT W/ERROR processes data shown into the transaction record. If only warning message(s) appear, it is not necessary to select **F17**. Otherwise, you must correct the errors before update can occur. If not corrected, this transaction is printed on the error items list of the Inventory Valuation and Variance Report.

F24 DISPLAY STATUS causes the Physical Inventory Entry Batch display AMI5E3 to appear.

Contents	Index	Exit
--------------------------	-----------------------	----------------------

Fields

[?] appears next to a field name in the following field definitions to identify a field from which you can begin a master file search.

WAREHOUSE. If you have multiple warehouses defined in the Warehouse Master file, type in the code of the warehouse associated with the item. If you have only one warehouse, the warehouse defined in the Warehouse Master file appears in this field and cannot be changed.

DATE. Type in the date the physical count was performed. If you leave this field blank, the application uses the system date (today's date).

ITEM NUMBER [?]. Type in the number of the item that was counted. This field is required.

ACTUAL COUNTED QUANTITY. Type in the actual quantity of the item that was counted in the warehouse. This field must be typed in even if the actual counted quantity of the item is zero.

LOCATION. Type in the stock location, as stored in the Location Detail file. If the location is a quality control area, type in QC followed by the two-digit quality control area number.

BATCH/LOT. Type in the batch or lot number. This field appears only if the batch/lot option was selected during application tailoring.

FIFO DATE (First-In-First-Out Date). Type in the date the item was actually received in stock, whether approved or unapproved. This field appears only if the FIFO date integrity option was selected during application tailoring. This date is ignored for bulk storage locations.

AMI5E2—Physical Inventory (Review)

Use this display to review and, if required, to change or delete physical counts that have been entered.

This display appears when you select **F03** on the Physical Inventory (Enter) display (AMI5E1).

DATE **/**/**	PHYSICAL INVENTORY		REVIEW	AMI5E2 **
WAREHOUSE	DATE	ITEM NUMBER	ACTUAL COUNTED	DIFFERENCE
aA3	nnnnnn	aaaaaaaaaaaaA15	QUANTITY	QUANTITY
			nnnnnnn.nnn	*****.***
LOCATION	BATCH/LOT	FIFO DATE		
aaaaaA7	aaaaaaaA10	nnnnnn		

F01 RESUME ENTRY
F02 PAGE FORWARD
F03 PAGE BACKWARD
F17 ACCEPT W/ERROR
F20 DELETE RECORD
F24 DISPLAY STATUS

What to do

To change physical counts, type in the changes and press **Enter**. The data is changed and the next or previous record appears depending on whether you page forward or backward.

Function keys

F01 RESUME ENTRY causes the Physical Inventory (Enter) display (AMI5E1) to appear again.

F02 PAGE FORWARD causes the next transaction in the batch to appear.

F03 PAGE BACKWARD causes the previous transaction in the batch to appear.

F17 ACCEPT W/ERROR processes data shown into the transaction record. If only warning message(s) appear, it is not necessary to select **F17**. Otherwise, you must correct the errors before update can occur.

F20 DELETE RECORD marks the transaction shown for deletion.

F24 DISPLAY STATUS causes the Physical Inventory Entry Batch display AMI5E3 to appear.

Contents	Index	Exit
--------------------------	-----------------------	----------------------

Fields

On this display, you can either change fields entered on display AMI5E1 or delete the entire record using **F20**.

Refer to “AMI5E1—Physical Inventory (Enter)” for an explanation of the fields on this display, except for Difference Quantity, which is explained below.

DIFFERENCE QUANTITY. The calculated difference between the ***ACTUAL COUNTED QUANTITY*** field value (on this display or AMI5E1) and the on hand balance quantity in the Location Quantity file for a controlled warehouse or the Item Balance file if this is an uncontrolled warehouse. The only way to change this field is to change the value in the ***ACTUAL COUNTED QUANTITY*** field.

AMI5E3—Physical Inventory Entry Batch Status

Use this display to show batch control totals and to end the physical count data entry session.

This display appears when you select **F24 (DISPLAY STATUS)** on either display AMI5E1 or AMI5E2.

```
DATE **/**/**          PHYSICAL INVENTORY ENTRY          AMI5E3  **
                        BATCH STATUS

BATCH NUMBER ***

BATCH TOTALS    COUNTED    DIFFERENCE    NO OF TRANS    NO OF ERRORS
                ***,**,***.***  ***,**,***.***  ***,**,***.***                **,***

F20 DELETE BATCH
F23 SUSPEND BATCH
F24 CLOSE BATCH
```

What to do

To delete, suspend, or close the batch, use a function key. To return to the display (AMI5E1 or AMI5E2) that was active when you selected **F24**, press **Enter**.

Function keys

F20 DELETE BATCH causes a message to appear warning of impending batch deletion. To delete the batch, select **F20** again. The batch is then deleted and a batch deletion report is printed.

F23 SUSPEND BATCH marks the current entry batch as suspended and allows later reentry. If batch update is run, the suspended batch is not included.

F24 CLOSE BATCH marks the current entry batch as closed. Master files are updated with these batch records.

Fields

BATCH NUMBER. The number assigned by the application to the batch that you are currently using.

Contents	Index	Exit
--------------------------	-----------------------	----------------------

BATCH TOTALS.

COUNTED. The total quantity of all valid transactions entered into the batch.

DIFFERENCE. The total difference quantity of transactions entered into the batch. The location difference quantity is included for controlled warehouse transactions; the difference quantity is included for uncontrolled warehouse transactions.

NO OF TRANS. The total number of transactions entered into the batch.

NO OF ERRORS. The number of transactions in the batch that contain errors.

How to resolve special situations

Handling zero counts

If a zero count was entered for a warehouse/item/location combination, the corresponding Location Quantity record is deleted during physical inventory update. If any discrete allocations exist for that combination, they are deleted from the Allocated Quantity file, and you must reallocate the item from another location with a confirmed on hand balance.

If a zero count was entered for a warehouse/item/location combination and no corresponding Location Quantity record existed, a warning message is issued. The history file is updated to reflect the count.

Using batch/lot numbers when entering physical counts

If you enter batch/lot numbers on your physical count transactions for items that are not batch/lot controlled, you should be aware of some special considerations that apply to physical inventory. During the entry of physical counts, the system establishes a difference quantity and cutoff quantity for controlled warehouse items using the first Location Quantity file record with a location and FIFO date (if FIFO control is supported) that matches your entry. When items are not batch/lot controlled, the batch/lot number is ignored when the Location Quantity file is searched for a matching record.

When the Inventory Valuation and Variance report is printed, all physical counts you entered print with the batch/lot numbers you entered on display AMI5E1. If you entered multiple physical counts for the same item, location and FIFO date, but with different batch/lot numbers, quantity differences for each entry are summarized to calculate a difference quantity for the specified location.

When the Physical Transaction Register is printed, only one transaction appears for the multiple entries and only one transaction is written to the Transaction History file. The batch/lot number printed on this report (and written to the Transaction History file) will represent the batch/lot number of the actual record in the Location Quantity file updated by this transaction, and may differ from all the entries you made during Physical Inventory Entry.

Option 4. Entry from Offline Files (AMIM50)

Use this option when you need to load offline records to the Physical Inventory Transaction Entry batch and print edit lists.

Before loading the offline records, make sure you have:

1. Printed a physical count list using one of the following options on the Physical Inventory menu (AMIM50):
 - Option 1 (Total Physical Selection)
 - Option 2 (Cycle Count Selection).
2. Physically counted the quantity on hand for each item printed
3. Entered the actual physical counts.

After loading the offline records, be sure to correct any errors that appear on the edit list. Transactions with errors are not used to update the files until they are corrected. If offline entry is used to create a batch of transactions, the batch is automatically suspended. In order to process this batch, you must sign on, select the batch, make any required additions, changes, and deletions, and close it. To close the batch use option 3 (Entry) on the Physical Inventory menu (AMIM50).

What information you need: The Offline Physical Inventory Data Entry file containing the physical inventory transactions that were entered offline.

What reports are printed:

- Physical Inventory Edit Listing (AMI5C1)
- Physical Inventory Edit Final Totals (AMI5C2)
- Physical Inventory Attach Final Totals (AMI5F).

What forms you need: None.

After you select this menu option, your work station is free to be used for other options.

Contents	Index	Exit
--------------------------	-----------------------	----------------------

Option 5. Variance Report (AMIM50)

Use this option when you need to check the variance between the actual physical counts entered and the current counts in the Item Balance file for uncontrolled warehouses and in the Location Quantity and Item Balance files for controlled warehouses.

Before printing the Variance Report, make sure you have:

1. Entered physical count transactions using one of the following options on the Physical Inventory menu (AMIM50):
 - Option 1 (Data Entry)
 - Option 2 (Data Entry From Offline Files).
2. Selected **F24** (Close Batch) for at least one physical inventory transaction batch. (Only closed batches are processed.)

After printing the Inventory Valuation and Variance Report, be sure to correct any errors that appear using option 3 (Entry) on the Physical Inventory menu (AMIM50). If there are no errors, you should select option 6 (Physical Inventory Update) on the same menu to update the Item Balance file for uncontrolled warehouses and the Location Quantity and Item Balance files for controlled warehouses with the physical count transactions.

What information you need: None.

What reports are printed:

- Inventory Valuation and Variance Report (AMI5H1)
- Items Selected for Physical Inventory/Cycle Count–No Count Entered report (AMI5H2).

What forms you need: None.

The basic steps to print a report follow each display.

AMIC51—Variance Report (Select)

Use this display to select all batches or specific batches for processing.

This display appears when you select option 5 on the Physical Inventory menu (AMIM50).

```
DATE **/**/**          VARIANCE REPORT          SELECT          AMIC51  **

Select one of the following:
1 All Closed Batches
2 Single Closed Batch
3 Closed Batches by Workstation ID
4 Closed Batches by Operator ID

Enter Selection: n

F24 END OF JOB
```

What to do

To select whether you want all or specific batches on the report, type in a number from 1 to 4 and press **Enter**.

- If you typed in 1, the Variance Report display (AMI56A) appears.
- If you typed in 2, 3, or 4, the Variance Report Option display (AMIC52) appears.

Function keys

F24 END OF JOB causes no master files to be updated, no report to be scheduled for printing, and the Physical Inventory menu (AMIM50) to appear again.

Fields

Enter Selection. Type in one of the following codes to select a processing option.

- 1 All closed batches. All closed batches are processed.
- 2 Single closed batch. One specific closed batch is processed.
- 3 Closed batches by workstation ID. All closed batches entered at a specific work station are processed.
- 4 Closed batches by operator ID. All closed batches entered by a specific operator are processed.

AMIC52—Variance Report Option

Use this display to select specific batches for processing.

This display appears when you type 2, 3, or 4 in **Enter Selection** on the Variance Report display (AMIC51).

```
DATE **/**/**          VARIANCE REPORT OPTION          AMIC52 **  
  
Enter ***** aaaaaaA10  
  
F19 RETURN TO SELECT  
F24 END OF JOB
```

What to do

To select specific batches for processing, type in the batch, workstation, or operator ID, depending on your selection on the previous display and press **Enter**. The Variance Report display (AMI56A) appears.

Function keys

F19 RETURN TO SELECT causes no master files to be updated, no report to be scheduled for printing, and the Variance Report (Select) display (AMIC51) to appear again.

F24 END OF JOB causes no master files to be updated, no report to be scheduled for printing, and the Physical Inventory menu (AMIM50) to appear again.

Fields

Enter *****. Appears as either BATCH, WORKSTATION ID, or OPERATOR ID, depending on the option you chose on display AMIC51. Type in the number of the specific batch to be processed, the ID of the work station where batches to be processed were entered, or the ID of the operator who entered batches to be processed.

AMI56A—Variance Report

Use this display to decide whether to print the Items Selected for Physical Inventory/ Cycle Count – No Count Entered report (AMI5H2) when you print the Inventory Valuation and Variance Report (AMI5H1).

This display appears when you select all closed batches and press **Enter** on the Option Variance Report (Select) display (AMIC51) or press **Enter** on the Variance Report display (AMIC52).

```
DATE  **/**/**          VARIANCE REPORT          AMI56A  **

YOU HAVE CHOSEN THE VARIANCE REPORT FOR PRINTING.  IN ADDITION TO
THE VARIANCE YOU CAN PRINT ITEMS NOT YET COUNTED IN THIS PHYSICAL
INVENTORY CYCLE.

DO YOU WANT TO INCLUDE ITEMS THAT HAVE BEEN SELECTED FOR COUNT, BUT
WHICH HAVE NO PHYSICAL COUNT ENTERED AT THIS TIME <Y/N>      A

F24 CANCEL THE JOB
```

What to do

- To print the items not yet counted, type in **Y** and press **Enter**. The Inventory Valuation and Variance report and the Items Selected for Physical Inventory/ Cycle Count – No Count Entered report are scheduled for printing. The Physical Inventory menu (AMIM50) appears again.
- To omit the uncounted items, leave the default N and press **Enter**. Only the Inventory Valuation and Variance report is scheduled for printing. The Physical Inventory menu (AMIM50) appears again.

The Cycle Count Flag in the Item Balance record is reset to indicate that an item has been counted.

Function keys

F24 CANCEL THE JOB causes the Cycle Count Flag not to be updated, no report to be scheduled for printing, and the Physical Inventory menu (AMIM50) to appear again.

Contents	Index	Exit
--------------------------	-----------------------	----------------------

Fields

DO YOU WANT TO INCLUDE ITEMS THAT HAVE BEEN SELECTED FOR COUNT, BUT WHICH HAVE NO PHYSICAL COUNT ENTERED AT THIS TIME<Y/N> . Type in Y to print both the Inventory Valuation and Variance Report and a list of the items that were selected for counting but do not yet have counts entered for them. This report lets you verify that counts were entered for all items and locations selected to be counted. This list prints immediately after the Inventory Valuation and Variance Report, which is printed in the sequence of item number within warehouse. Accept the default of N to omit the list of uncounted items and print only the Inventory Valuation and Variance Report.

When a controlled warehouse item is stored in multiple locations, uncounted locations continue to print until at least one count is entered for each location and the variance report is printed. Since the cycle count flags are not reset during physical inventory update for uncounted items or locations, you should enter at least one count for all items and locations printed on the physical inventory or cycle count selection reports.

When all selected items and locations are not counted, they appear on subsequent physical inventory or cycle count lists with a notation indicating that they are already in the physical/cycle count.

The No Count Entered report can be very long if you selected many items on the Physical Inventory List or the Cycle Count List and have not entered updated counts for those items.

Contents	Index	Exit
--------------------------	-----------------------	----------------------

Option 6. Physical Inventory Update (AMIM50)

Use this option when you need to update the Item Balance file, Location Quantity file, or both files with physical count transactions.

Before you update the files, make sure you have:

1. Printed an Inventory Valuation and Variance Report using option 5 on the Physical Inventory menu (AMIM50)
2. Verified physical count variances on the Inventory Valuation and Variance Report.

What information you need: None.

What reports are printed: Physical Transaction Register (AMI5J).

What forms you need: None.

The basic steps to update the files follow each display.

AMIC51—Physical Inventory Update (Select)

Use this display to select all batches or specific batches for processing.

This display appears when you select option 6 on the Physical Inventory menu (AMIM50).

```

DATE **/**/**          PHYSICAL INVENTORY UPDATE          SELECT          AMIC51  **

          Select one of the following:
          1 All Closed Batches
          2 Single Closed Batch
          3 Closed Batches by Workstation ID
          4 Closed Batches by Operator ID

Enter Selection: n

                                     F24 END OF JOB
  
```

What to do

To select whether you want all or specific batches on the report, type in a number from 1 to 4 and press **Enter**.

- If you typed in 1, the master files are updated with the physical counts and the Physical Transaction Register (AMI5J) is scheduled for printing. The Physical Inventory menu (AMIM50) appears again.
- If you typed in 2, 3, or 4, the Physical Inventory Option display (AMIC52) appears.

Function keys

F24 END OF JOB causes no master files to be updated, no report to be scheduled for printing, and the Physical Inventory menu (AMIM50) to appear again.

Fields

Enter Selection. Type in one of the following codes to select a processing option.

- 1** All closed batches. All closed batches are processed.
- 2** Single closed batch. One specific closed batch is processed.
- 3** Closed batches by workstation ID. All closed batches entered at a specific work station are processed.

Contents	Index	Exit
--------------------------	-----------------------	----------------------

- 4 Closed batches by operator ID. All closed batches entered by a specific operator are processed.

Contents	Index	Exit
--------------------------	-----------------------	----------------------

AMIC52—Physical Inventory Option

Use this display to select specific batches for processing.

This display appears when you type 2, 3, or 4 in **Enter Selection** on the Physical Inventory Update display (AMIC51).

```
DATE **/**/**          PHYSICAL INVENTORY OPTION          AMIC52 **  
  
Enter ***** aaaaaaA10  
  
F19 RETURN TO SELECT  
F24 END OF JOB
```

What to do

To select specific batches for processing, type in the batch, workstation, or operator ID, depending on your selection on the previous display and press **Enter**. The master files are updated with the physical counts and the Physical Transaction Register (AMI5J) is scheduled for printing. The Physical Inventory menu (AMIM50) appears again.

Function keys

F19 RETURN TO SELECT causes no master files to be updated, no report to be scheduled for printing, and the Physical Inventory Update (Select) display (AMIC51) to appear again.

F24 END OF JOB causes no master files to be updated, no report to be scheduled for printing, and the Physical Inventory menu (AMIM50) to appear again.

Fields

Enter *****. Appears as either BATCH, WORKSTATION ID, or OPERATOR ID, depending on the option you chose on display AMIC51. Type in the number of the specific batch to be processed, the ID of the work station where batches to be processed were entered, or the ID of the operator who entered batches to be processed.

Chapter 8. Period Closing Activity

If you select option 6 from the Main Menu, the Period Closing Activity menu (AMIM60) appears.

You can clear the accumulated period-to-date and year-to-date information, calculate averages, and print the Stock Status and Inventory Valuation reports using the LIFO or FIFO method or both. In preparing for the valuation, you can print a listing of the LIFO/FIFO transactions and, optionally, purge those that are not needed. An option also allows you to maintain the transactions in the LIFO/FIFO Transaction Save file.

This menu has four options that allow you to perform period-end and year-end closing activities.

Option 1. Period End / Year End Close (AMIM60).....	8-4
Option 2. LIFO/FIFO Valuation Report (AMIM60).....	8-11
Option 3. LIFO/FIFO Transaction Purge and List (AMIM60).....	8-16
Option 4. LIFO/FIFO Maintenance (AMIM60).....	8-21

```

AMIM60                                Inventory Management                *****
                                Period Closing Activity

Type option or command; press Enter.

1. Period End / Year End Close
2. LIFO/FIFO Valuation Report
3. LIFO/FIFO Transaction Purge and List
4. LIFO/FIFO Maintenance

==> _____

F3=Exit      F4=Prompt    F9=Retrieve   F10=Actions
F11=Job status  F12=Return   F22=Messages
  
```

Option 1. Period End / Year End Close. Use this option to run the Period End or Year End Inventory Stock Status report (AMI6C) and update the Item Balance file.

Option 2. LIFO/FIFO Valuation Report. Use this option to print the LIFO/FIFO Inventory Valuation Report (AMI6E).

Option 3. LIFO/FIFO Transaction Purge and List. Use this option to purge and/or list the LIFO/FIFO transactions.

Option 4. LIFO/FIFO Maintenance. Use this option to perform file maintenance on the LIFO/FIFO Transaction Save file.

LIFO/FIFO valuations

You can elect during application tailoring to use LIFO, FIFO, or both methods to assist you in valuing your inventory. If you select these options, the application saves all receipt and cost adjustment transactions. You can purge transactions based on your individual requirements. For example, if you are on annualized LIFO, purge once a year. This method is not to be confused with the item costing described in Chapter 2. LIFO/FIFO is not used for the day-to-day accounting of inventory transactions.

The LIFO/FIFO Transaction file is arranged by item number, warehouse, and either ascending (LIFO) or descending (FIFO) date sequence, and transaction quantities are matched against the on hand balance of the Item Balance record. The value is determined by summing the transaction amounts for all receipt transactions whose quantities are part of the on hand balance. You can list transaction quantities which are to be purged from the file.

You should consult your auditor on the use of the LIFO/FIFO method to determine whether it satisfies the requirements of all applicable taxing authorities.

Closing activity begins by printing the LIFO/FIFO Inventory Valuation report. This report shows all receipt and cost adjustment transactions that are on file. Any transaction not having an associated cost figure is in error. Errors include uncosted receipt transactions which have separately entered cost adjustment transactions that have not been reconciled using LIFO/FIFO Transaction Save file maintenance. Usually, transaction changes are entered through a maintenance procedure to correct such errors.

The Inventory Valuation report is printed according to options chosen on the applicable displays and on the method of valuation you chose during application tailoring. Inventory valuation is based on the on hand quantity of an item at period close. If LIFO is used, the most recently received items are the first to be issued from inventory; thus, valuation of the on hand inventory is based on the price paid for the first units of an item received. In this case, the report of actual stock value may differ substantially from present replacement costs. If FIFO is used, the first units of an item received are the first to be issued from inventory; thus on hand inventory valuation is based on the unit price paid for the most recently received item.

Table 8-1 and Table 8-2 illustrate how on hand inventory is valued for tax purposes in response to the Install/Tailor Questionnaire.

In both tables, the same quantities are shown for total receipts, total issues, and total on hand. The differences between the two figures have to do with specifically which items are issued and, thus, which items remain on hand at fiscal close.

If LIFO is selected, the value of item A3107 at the close of 19*9 is:

$$(50 \times .90) + (2 \times 1.00) + (3 \times 1.20) = 50.60$$

Table 8-1. Quantity valued for Item A3107 at fiscal close using LIFO method

Date of Receipt	Quantity Received	Your Cost per Unit	Quantity Issued 19*8	Quantity on Hand 19*8	Quantity Issued 19*9	Quantity on Hand 19*9
10/2/*8	50	.90		50		50
11/1/*8	50	1.00	48	2		2
12/5/*8	50	1.10	50			
Totals at fiscal *8 close	150		98	52		
1/1/*9	50	1.20			47	3
2/5/*9	50	1.30			50	
6/10/*9	50	1.40			50	
10/9/*9	50	1.50			50	
12/3/*9	50	1.60			50	
Totals at fiscal *9 close	250				247	55

If FIFO is selected, the value of item A3107 on hand at close of 19*9 is:

$$(50 \times 1.60) + (5 \times 1.50) = 87.50$$

Table 8-2. Quantity valued for Item A3107 at fiscal close using FIFO method

Date of Receipt	Quantity Received	Your Cost per Unit	Quantity Issued 19*8	Quantity on Hand 19*8	Quantity Issued 19*9	Quantity on Hand 19*9
10/2/*8	50	.90	50			
11/1/*8	50	1.00	48	2	2	
12/5/*8	50	1.10		50	50	
Totals at fiscal *8 close	150		98	52		
1/1/*9	50	1.20			50	
2/5/*9	50	1.30			50	
6/10/*9	50	1.40			50	
10/9/*9	50	1.50			45	5
12/3/*9	50	1.60				50
Totals at fiscal *9 close	250				247	55

Contents	Index	Exit
--------------------------	-----------------------	----------------------

Option 1. Period End / Year End Close (AMIM60)

Use this option to close each accounting period and to value on hand inventory based on LIFO, FIFO, or both methods. You choose the method by which your stock is valued during application tailoring.

You can request to run the Stock Status report at period-end closing (12-month or 13-period, whichever method is used in your accounting system) or at the end of the year. During period close, when this report is run, all period cumulative values are cleared from the Item Balance file, and averages are recalculated to start a new reporting cycle. See "Alpha factor/averaging calculations".

Optionally, if PDM is installed and interfacing, you can choose to use the standard cost from the Item Master file B-record that was calculated by PDM to replace the unit cost default contained in the Item Master file A-record.

The unit cost default will only be replaced by the standard unit cost if the standard unit cost is greater than zero. This means that at least one standard costing run must previously have been performed in PDM. Items that are added to the Item Master file after the Stock Status Extract file is created will not get their unit cost default updated from the standard cost in the Item Master file B-record.

If features do not have item balance records, their unit cost default will not be updated. This can result in incorrect costing or specific s-numbers in either COM or IM.

Warning: Do not run a period-end closing at the end of your fiscal year.

Run only the year-end closing, which forces a period-end closing. To run both would cause incorrect updating of the Item Balance file. It might be desirable to run the Inventory Analysis Reports (Financial and/or Stock Movement) prior to a closing activity. A Stock Status report should be run just before a closing activity to provide a summary of current period transactions.

Before you close the period or year, make sure you have processed all inventory transactions for the period or year, because these steps set the period-to-date fields to 0 and recalculate averages in the Item Balance file.

What information you need: None.

What reports are printed: One of the following reports is printed, depending on the options you select on the Closing Stock Status Options display (AMI6A2):

- Period End Inventory Stock Status (AMI6C)
- Year End Inventory Stock Status (AMI6C).

What forms you need: None.

The basic steps to close the period or year follow each display.

AMI6A1—Closing Stock Status

Use this display to see the last date that the files were updated. This information helps you avoid updating the files twice in the same accounting period and ensures that an accounting period is not missed. You can also schedule the Period End/Year End Inventory Stock Status report (AMI6C) to print with or without updating the files.

This display appears when you select option 1 on the Period Closing Activity menu (AMIM60) and the Stock Status Extract file already exists. Otherwise, display AMI6A2 appears.

```
DATE **/**/**          CLOSING STOCK STATUS          AMI6A1  **  
  
*** STOCK STATUS EXTRACT FILE ALREADY EXISTS ***  
  
***** END CLOSING FIGURES WERE EXTRACTED AND CLEARED FROM  
THE BALANCE FILE AS OF **/**/**. THESE FIGURES NO LONGER  
EXIST IN THE ITEM BALANCE FILE  
  
DO YOU WISH TO: n  
1 REPRINT REPORT FROM LAST PERIOD CLOSE  
2 CLOSE PERIOD OR YEAR  
  
F24 CANCEL THE JOB
```

What to do

To indicate whether to use the existing Stock Status Extract file or create a new one, type in **1** or **2** and press **Enter**. The Closing Stock Status—Options display (AMI6A2) appears to allow entry of the report print options.

Function keys

F24 CANCEL THE JOB causes the Period Closing Activity menu (AMIM60) to appear again.

Contents	Index	Exit
--------------------------	-----------------------	----------------------

Fields

The text on the top half of the display explains that either month or period end (established during application tailoring) closing figures have been extracted and cleared from the Item Balance file as of the date shown and that these figures no longer exist in the Item Balance file.

DO YOU WISH TO. This field is required. Type in one of the following codes:

- 1** Reprint report from last period close. The period or year-end closing reports are printed using the information saved into the Stock Status Extract file the last time that the Item Balance accumulation fields were reset to 0.
- 2** Close period or year. The Stock Status Extract file is recreated with current information and this period's accumulation fields are reset to 0 in the Item Balance file prior to running the reports.

Items that were added to the Item Master file after the Stock Status Extract file was created do not have their unit cost default updated from the Item Master file B-record (standard cost).

AMI6A2—Closing Stock Status—Options

Use this display to specify report sequence and printing limits for the Period End/Year End Inventory Stock Status report (AMI6C).

If you do not indicate on this display that this report is the last to be run for this period, the work file is saved so you can run additional reports. At least one copy of the report should be run using the unit cost that you selected during application tailoring (standard, average, or last cost), so you can balance your accounting controls.

This display appears when you press **Enter** on display AMI6A1 or when the Stock Status Extract file does not exist and you select option 1 on the Period Closing Activity menu (AMIM60).

```

DATE **/**/**          CLOSING STOCK STATUS          OPTIONS  AMI6A2  **

REPORT SEQUENCE: n
                   1 ITEM
                   2 CLASS

OPTIONAL REPORT LIMITS:
WAREHOUSE          aA3
ITEM NUMBERS FROM- aaaaaaaaaaaaaA15  TO- aaaaaaaaaaaaaA15
CLASSES           FROM- aaA4          TO- aaA4
VENDORS           FROM- aaaaA6        TO- aaaaA6

CALCULATE ON HAND COST USING: n  REPLACE UNIT COST DFLT WITH PDM STD COST: n
  1 STANDARD COST                1 YES-EXCLUDE ITEMS WITH FEATURES
  2 AVERAGE COST                 2 YES - ALL ITEMS
  3 LAST COST                     3 NO

CLOSING UPDATE: n              WILL THIS BE LAST REPORT THIS PERIOD: n
  1 PERIOD END                  1 YES
  2 YEAR END                    2 NO

ESTABLISH CURRENT PERIOD BEING CLOSED: nn

                                           F24 CANCEL THE JOB

```

What to do

To print the report, type in your options for the report and press **Enter**. The Period End/Year End Inventory Stock Status report with the options you specified is scheduled for printing.

- If your response to **WILL THIS BE LAST REPORT THIS PERIOD** is 1 (yes), the Period Closing Activity menu (AMIM60) appears again.
- If your response is 2 (no), the Closing Stock Status Options display (AMI6A2) appears again. If you do not want additional copies of the Period End/Year End Inventory Stock Status report at this time, select **F24**.

Function keys

F24 CANCEL THE JOB causes no report to be scheduled for printing and the Period Closing Activity menu (AMIM60) to appear again.

Contents	Index	Exit
-----------------	--------------	-------------

Fields

REPORT SEQUENCE. Required. Depending on the answer given during application tailoring, one of the following codes appears. To print the report in a different sequence, type in another number. Type in one of the following codes:

- 1 Item
- 2 Class

OPTIONAL REPORT LIMITS. The following fields allow you to specify limits for printing the report. If no limits are entered, all Item Balance records are printed. You can use one or any combination of these limits.

WAREHOUSE. If you have multiple warehouses defined in the Warehouse Master file, type in the code of the warehouse to be used on the report. If you have multiple warehouses and you leave this field blank, all warehouses are shown on the report. If you have only one warehouse, the warehouse defined in the Warehouse Master file appears in this field and cannot be changed.

ITEM NUMBERS FROM and TO. Type in the range of item numbers to appear on the report.

CLASSES FROM and TO. Type in the range of item classes to appear on the report.

VENDORS FROM and TO. Type in the range of vendors to appear on the report.

CALCULATE ON HAND COST USING. Required. Depending on the answer given during application tailoring, one of the following codes appears. To use a different costing method for this report, type in another number.

- 1 Standard cost
- 2 Average cost
- 3 Last cost

At least one copy of the report should be run using the unit cost that you selected during application tailoring (standard, average, or last) so you can balance your accounting controls.

REPLACE UNIT COST DFLT WITH PDM STD COST. Required. Type in one of the following codes:

- 1 Yes. Exclude items with features.
- 2 Yes. All items.
- 3 No.

If PDM is installed and interfacing, you can choose to use the standard cost (STDUC) from the Item Master file B-record that was calculated by PDM to replace the unit cost default (UCDEF) from the Item Master file A-record.

A standard unit cost default replacement (CU) transaction is also generated and passed to the Transaction History (IMHIST) file and the General Ledger Interface Transaction (INVTXN) file to reflect the change in the inventory value if there is a variance between the two costs.

The unit cost default (UCDEF) is replaced by the standard unit cost (STDUC) only if the standard unit cost is greater than zero. At least one standard costing run must

Contents	Index	Exit
--------------------------	-----------------------	----------------------

have been performed in PDM. Items that were added to the Item Master file after the Stock Status Extract file was created do not have their unit cost default updated from the Item Master file B-record (standard cost).

CLOSING UPDATE. Required. Type in one of the following codes:

- 1 Period end. This is a period (or month) closing report. If you type in 1, only period-to-date cumulative values in the Item Balance records are cleared.
- 2 Year end. This is a year end closing report. If you type in 2, both year-to-date and period-to-date cumulative values in the Item Balance records are cleared during the update run.

WILL THIS BE LAST REPORT THIS PERIOD. Required. Type in one of the following codes:

- 1 Yes.
- 2 No. If you type in 2, the work file is saved so that additional reports can be run for this period.

ESTABLISH CURRENT PERIOD BEING CLOSED. Required. This field appears only when the system detects that the field has not been set in the System Control file. Type in the number of the manufacturing period that you are closing. Since your manufacturing year may be different from your accounting year, this field does not have to match a GL accounting period. After the period has been established, the system will automatically increment it by one after each period close. When you select a year-end close, the system resets the field to 01.

Contents	Index	Exit
--------------------------	-----------------------	----------------------

How to resolve special situations

You should have no problem using the Stock Status report unless you fail to specify whether the report is the last for the accounting cycle.

The LIFO/FIFO Valuation report option can present problems if the report has errors. For example, uncosted receipt transactions which have separately entered cost adjustment transactions are considered errors which must be reconciled using LIFO/FIFO Transaction file maintenance before valuation can occur. Before errors can be corrected, the transactions must be assigned transaction record numbers by the purge and list function (displays AMI6F1 and AMI6F2). After these numbers are assigned, use the maintenance function to add, change, or delete transaction data.

Continue file maintenance and printing of the Transaction Reconciliation report until you are satisfied with the results. You need not repeat the purge and list step to assign transaction record numbers unless you add new transactions to the file. If you support both FIFO and LIFO valuation methods, you should process one type of valuation report to completion before processing the other.

After satisfactory valuation reports have been run, request the transaction purge function to clear the unused transactions. The purge option should only be requested at the end of your LIFO/FIFO reporting period. Thus, if you are on an annual LIFO/FIFO period, you should only request a purge at the end of your fiscal year.

Option 2. LIFO/FIFO Valuation Report (AMIM60)

Use this option when you want to edit the LIFO/FIFO Transaction Save file. Use these steps on an annual basis to value your on hand inventory.

After printing the LIFO/FIFO Inventory Valuation Report, be sure to list the LIFO/FIFO transactions (if the report contains errors) or purge the unused transactions (if the report is error-free) using option 3 (LIFO/FIFO Transaction Purge and List) on the Period Closing Activity menu (AMIM60).

What information you need:

- The valuation method you want to use, if you selected both LIFO and FIFO during application tailoring
- The printing sequence of the report:
 - By warehouse
 - By item
 - By item type
 - By item class.
- The warehouse whose items you want to appear on the report, if you are printing items from only one warehouse
- The beginning and ending item numbers, item types, and item classes, if you are not printing all items in inventory
- The unit cost (standard, average, or last) you want to use to calculate on hand cost.

What reports are printed: Two of the following reports are printed, depending on the options you select on the LIFO/FIFO Inventory Valuation Report Options display and the options you selected during application tailoring:

- LIFO/FIFO Transaction File Edit (AMI6I)
- LIFO Inventory Valuation Report (AMI6E)
- FIFO Inventory Valuation Report (AMI6E).

What forms you need: None.

The basic steps to print a report follow each display.

AMI6D1—LIFO or FIFO Inventory Valuation—Report Options

Use this display to specify print options for the LIFO/FIFO Inventory Valuation Report (AMI6E).

This display appears when you specified only one valuation method (LIFO or FIFO) during application tailoring and you select option 2 on the Period Closing Activity menu (AMIM60).

If you selected both LIFO and FIFO valuations during application tailoring, display AMI6D2 appears instead of this display. Displays AMI6D1 and AMI6D2 are exactly the same except for the addition of the **VALUATION METHOD** field on AMI6D2.

```
DATE **/**/**          **** INVENTORY VALUATION          AMI6D1 **
                           REPORT OPTIONS

SEQUENCE: n
    1 WAREHOUSE
    2 ITEM
    3 ITEM TYPE
    4 ITEM CLASS

OPTIONAL LIMITS:
WAREHOUSE                aA3
ITEM NUMBERS FROM- aA15 TO- aA15
ITEM TYPES FROM- A TO- A
ITEM CLASSES FROM- aaA4 TO- aaA4

CALCULATE ON HAND COST USING: n
    1 STANDARD COST
    2 AVERAGE COST
    3 LAST COST

F24 CANCEL THE JOB
```

What to do

To print the report, type in your options for the report and press **Enter**. A LIFO/FIFO Inventory Valuation report with the options you specified is scheduled for printing and the Period Closing Activity menu (AMIM60) appears again.

Function keys

F24 CANCEL THE JOB causes no report to be scheduled for printing and the Period Closing Activity menu (AMIM60) to appear again.

Fields

SEQUENCE. Required. Depending on the answer given during application tailoring, 1, 2, 3, or 4 appears. To print the report in a different sequence, you can change this number.

Contents	Index	Exit
--------------------------	-----------------------	----------------------

OPTIONAL LIMITS. The following fields allow you to specify optional limits for printing the report. If no limits are entered, all Item Balance records are printed. You can use one or any combination of these limits.

WAREHOUSE. If you have multiple warehouses defined in the Warehouse Master file, type in the code of the warehouse to be used on the report. If you have multiple warehouses and you leave this field blank, all warehouses are shown on the report. If you have only one warehouse, the warehouse defined in the Warehouse Master file appears in this field and cannot be changed.

ITEM NUMBERS FROM/TO. Type in the range of item numbers to appear on the report.

ITEM TYPES FROM/TO. Type in the range of item types to appear on the report.

ITEM CLASSES FROM/TO. Type in the range of item classes to appear on the report.

CALCULATE ON HAND COST USING. Required. Depending on the answer given during application tailoring, one of the following codes appears. To use a different costing method used for this report, type in another number.

- 1 Standard cost
- 2 Average cost
- 3 Last cost

AMI6D2—LIFO/FIFO Inventory Valuation—Report Options

Use this display to specify print options for the LIFO/FIFO Inventory Valuation Report (AMI6E).

This display appears when you specified both LIFO and FIFO valuation during application tailoring and you select option 2 on the Period Closing Activity menu (AMIM60).

If you selected either LIFO or FIFO valuation instead of both during application tailoring, display AMI6D1 appears instead of display AMI6D2. Displays AMI6D1 and AMI6D2 are exactly the same except for the addition of the **VALUATION METHOD** field on this display.

```
DATE **/**/**          LIFO/FIFO INVENTORY VALUATION          AMI6D2 **
                        REPORT OPTIONS

                        VALUATION METHOD: n
SEQUENCE: n              1 LIFO
1 WAREHOUSE              2 FIFO
2 ITEM
3 ITEM TYPE
4 ITEM CLASS

OPTIONAL LIMITS:
WAREHOUSE                aA3
ITEM NUMBERS FROM- aA15  TO- aA15
ITEM TYPES FROM- A      TO- A
ITEM CLASSES FROM- aa4  TO- aa4

CALCULATE ON HAND COST USING: n
1 STANDARD COST
2 AVERAGE COST
3 LAST COST

F24 CANCEL THE JOB
```

What to do

To print the report, type in your options for the report and press **Enter**. A LIFO or FIFO Inventory Valuation report with the options you specified is scheduled for printing and the Period Closing Activity menu (AMIM60) appears again.

Function keys

F24 CANCEL THE JOB causes no report to be scheduled for printing and the Period Closing Activity menu (AMIM60) to appear again.

Contents	Index	Exit
--------------------------	-----------------------	----------------------

Fields

See “AMI6D1—LIFO or FIFO Inventory Valuation–Report Options” for a description of the fields on this display except **Valuation Method**.

VALUATION METHOD. Required. Type in one of the following valuation methods:

- 1 LIFO
- 2 FIFO

Refer to “LIFO/FIFO valuations” for information about both valuation methods.

Contents	Index	Exit
--------------------------	-----------------------	----------------------

Option 3. LIFO/FIFO Transaction Purge and List (AMIM60)

Use this option when you need to print a list of transactions with transaction numbers (when the LIFO/FIFO Inventory Valuation Report (AMI6E) contains errors) or purge transactions from the LIFO/FIFO Transaction Save file (when the report is error-free).

Before purging or listing the transactions, make sure you have edited the LIFO/FIFO Transaction Save file using option 2 (LIFO/FIFO Valuation Report) on the Period Closing Activity menu (AMIM60).

What information you need:

- The valuation method you want to use, if you selected both LIFO and FIFO during application tailoring. The method you use should be the same as the one you used for the Valuation report.
- The printing sequence of the report:
 - By warehouse
 - By item
 - By item type
 - By item class.
- The warehouse whose items you want to appear on the report, if you are only printing items from one warehouse.
- The beginning and ending item number, item type, and item class, if you are not printing all items in inventory.
- The mode (purge and list or list only) you want to use.

What reports are printed: One of the following reports is printed, depending on the options you select on the LIFO/FIFO Transaction Purge and List Options display and the options you selected during application tailoring:

- LIFO Transaction Reconciliation (AMI6G)
- FIFO Transaction Reconciliation (AMI6G).

What forms you need: None.

The basic steps to print a report follow each display.

Contents	Index	Exit
--------------------------	-----------------------	----------------------

AMI6F1—LIFO or FIFO Transaction Purge and List Options

Use this display to select the options for either printing the LIFO/FIFO Transaction Reconciliation report (AMI6G), which lists transactions with transaction numbers (used when the LIFO/FIFO Inventory Valuation Report contains errors), or purging transactions from the LIFO/FIFO Transaction Save file and listing the remaining contents (used when LIFO/FIFO Inventory Valuation Report is error-free).

This display appears if you specified only one valuation method (LIFO or FIFO) during application tailoring and you select option 3 on the Period Closing Activity menu (AMIM60).

If you selected both LIFO and FIFO valuations during application tailoring, display AMI6F2 appears instead of this display. Displays AMI6F1 and AMI6F2 are exactly the same except for the addition of the **VALUATION METHOD** field on AMI6F2.

```

DATE **/**/**          **** TRANSACTION PURGE AND LIST          AMI6F1 **
                        OPTIONS

SEQUENCE: n
  1 WAREHOUSE
  2 ITEM
  3 ITEM TYPE
  4 ITEM CLASS

MODE: n
  1 PURGE AND LIST
  2 LIST ONLY

OPTIONAL LIMITS:
  WAREHOUSE           aA3
  ITEM NUMBERS FROM- aaaaaaaaaaaaaA15 TO- aaaaaaaaaaaaaA15
  ITEM TYPES FROM- A TO- A
  ITEM CLASSES FROM- aaA4 TO- aaA4

PRINT: n
  1 ALL TRANSACTIONS
  2 PURGED TRANSACTIONS

F24 CANCEL THE JOB

```

What to do

- To purge transactions from the LIFO/FIFO Transaction Save file and list the remaining transactions, type **1** in the **MODE** field and press **Enter**. The transactions are purged, and a reconciliation report is scheduled for printing. The Period Closing Activity menu (AMIM60) appears again.
- To list the LIFO/FIFO transactions, type in **2** in the **MODE** field and press **Enter**. A reconciliation report is scheduled for printing, and the Period Closing Activity menu (AMIM60) appears again.

Function keys

F24 CANCEL THE JOB causes no list to be scheduled for printing and the Period Closing Activity menu (AMIM60) to appear again.

Contents	Index	Exit
--------------------------	-----------------------	----------------------

Fields

SEQUENCE. Required. Depending on the answer given during application tailoring, 1, 2, 3, or 4 appears. To print the report in a different sequence, you can change this number.

MODE. Required. Type in one of the following codes:

- 1** Purge and list. Purge unused transactions from the LIFO/FIFO Transaction Save file and list the remaining contents if the LIFO/FIFO Inventory Valuation Report (printed using option 2 on menu AMIM60) contained no errors.
- 2** List only. Assign transaction numbers to all transactions in the file if the LIFO/FIFO Inventory Valuation Report contained errors.

Using this list and the LIFO/FIFO transaction maintenance displays (AMI6H3, AMI6H4, AMI6H5, AMI6H6, and AMI6H7), you can correct the transactions that are in error. After correcting the errors using the transaction maintenance displays, rerun the LIFO/FIFO Inventory Valuation Report using option 2 on menu AMIM60.

OPTIONAL LIMITS. The following fields allow you to specify optional limits for printing the list. If no limits are entered, all Item Balance records are printed. You can use one or any combination of these limits.

WAREHOUSE. If you have multiple warehouses defined in the Warehouse Master file, type in the code of the warehouse to be used on the report. If you have multiple warehouses and you leave this field blank, all warehouses are shown on the report. If you have only one warehouse, the warehouse defined in the Warehouse Master file appears in this field and cannot be changed.

ITEM NUMBERS FROM and TO. Type in the range of item numbers to appear on the list.

ITEM TYPES FROM and TO. Type in the range of item types to appear on the list.

ITEM CLASSES FROM and TO. Type in the range of item classes to appear on the list.

PRINT. Required. Type in one of the following codes:

- 1** All transactions. Print all transactions.
- 2** Purged transactions. Print only those transactions that are purged from the LIFO/FIFO Transaction Save file.

If you typed 1 (purge and list) in the **MODE** field and 2 (purged transactions) in the **PRINT** field, those purged transactions (transaction records containing zeros in both their LIFO and FIFO quantity fields) appear on the list.

AMI6F2—LIFO/FIFO Transaction Purge and List Options

Use this display to select the options either for printing the LIFO/FIFO Transaction Reconciliation report (AMI6G), which lists transactions with transaction numbers (used when the LIFO/FIFO Inventory Valuation Report contains errors), or for purging transactions from the LIFO/FIFO Transaction Save file and listing the remaining contents (used when LIFO/FIFO Inventory Valuation Report is error-free).

This display appears if you specified a valuation method of both LIFO and FIFO during application tailoring and you select option 3 on the Period Closing Activity menu (AMIM60).

If you selected either LIFO or FIFO instead of both during application tailoring, display AMI6F1 appears instead of display AMI6F2. Displays AMI6F1 and AMI6F2 are exactly the same except for the addition of the **VALUATION METHOD** field on this display.

```

DATE **/**/**          LIFO/FIFO TRANSACTION PURGE AND LIST          AMI6F2  **
                        OPTIONS

                        VALUATION METHOD: n
SEQUENCE: n              1 LIFO
                        2 FIFO
                        1 WAREHOUSE
                        2 ITEM
                        3 ITEM TYPE
                        4 ITEM CLASS
                        MODE: n
                        1 PURGE AND LIST
                        2 LIST ONLY

OPTIONAL LIMITS:
WAREHOUSE                aA3
ITEM NUMBERS FROM- aA15  TO- aA15
ITEM TYPES FROM- A      TO- A
ITEM CLASSES FROM- aA4  TO- aA4

                        PRINT: n
                        1 ALL TRANSACTIONS
                        2 PURGED TRANSACTIONS

                        F24 CANCEL THE JOB

```

What to do

- To purge LIFO transaction and list the remaining transactions, type **1** in the **VALUATION METHOD** and **MODE** fields. Type in any other requested information and press **Enter**. The transactions are purged, and a reconciliation report is scheduled for printing. The Period Closing Activity menu (AMIM60) appears again.
- To purge FIFO transaction and list the remaining transactions, type **2** in the **VALUATION METHOD** and **1** in the **MODE** field. Type in any other requested information and press **Enter**. The transactions are purged, and a reconciliation report is scheduled for printing. The Period Closing Activity menu (AMIM60) appears again.
- To list the LIFO transactions, type **1** in the **VALUATION METHOD** field and **2** in the **MODE** field. Type in any other requested information and press **Enter**. A reconciliation report is scheduled for printing, and the Period Closing Activity menu (AMIM60) appears again.

Contents	Index	Exit
--------------------------	-----------------------	----------------------

- To list the FIFO transactions, type **2** in the **VALUATION METHOD** and **MODE** fields. Type in any other requested information and press **Enter**. A reconciliation report is scheduled for printing, and the Period Closing Activity menu (AMIM60) appears again.

Function keys

F24 CANCEL THE JOB causes no list to be scheduled for printing and the Period Closing Activity menu (AMIM60) to appear again.

Fields

See “AMI6F1—LIFO or FIFO Transaction Purge and List Options” for a description of all fields except **Valuation Method**.

Before records are purged from the file, you must run option 1 (purge and list) in the **MODE** field in both option 1 (LIFO) and option 2 (FIFO) in the **VALUATION METHOD** field.

VALUATION METHOD. Type in one of the following valuation methods:

- 1 LIFO
- 2 FIFO

Refer to “LIFO/FIFO valuations” for information about both valuation methods.

Contents	Index	Exit
--------------------------	-----------------------	----------------------

Option 4. LIFO/FIFO Maintenance (AMIM60)

Use this option when you need to add a new LIFO/FIFO transaction to the LIFO/FIFO Transaction Save file or change or delete a LIFO/FIFO transaction already in the file.

Before using LIFO/FIFO Maintenance, make sure you have printed the LIFO/FIFO Transaction File Maintenance Edit List using option 3 (LIFO/FIFO Transaction Purge and List) on the Period Closing Activity menu (AMIM60).

After using LIFO/FIFO Maintenance, be sure to reedit the LIFO/FIFO Transaction Save file using option 2 (LIFO/FIFO Valuation Report) on the Period Closing Activity menu (AMIM60).

What information you need: None.

What reports are printed: LIFO/FIFO Transaction File Maintenance Edit List (AMI6H).

What forms you need: None.

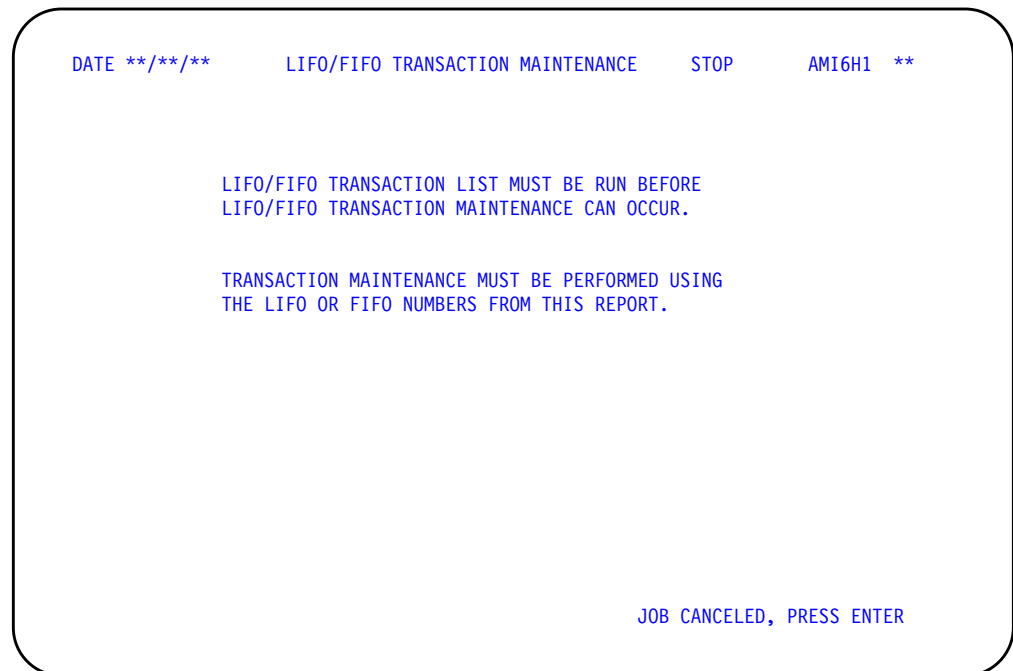
The basic steps for LIFO/FIFO transactions follow each display.

AMI6H1—LIFO/FIFO Transaction Maintenance (Stop)

This display informs you that you are attempting to perform LIFO/FIFO maintenance without having first printed the LIFO/FIFO Transaction File Maintenance Edit List (AMI6H) to produce the transaction numbers required for maintenance.

This display appears when you select option 4 on the Period Closing Activity menu (AMIM60) without having first selected option 3.

If this display appears, the job is canceled and you must press **Enter** to return to the Period Closing Activity menu (AMIM60).



What to do

To return to the Period Closing Activity menu (AMIM60), press **Enter**.

Function keys

None.

Fields

You cannot enter any information on this display.

AMI6H2—LIFO or FIFO Transaction Maintenance (Warning)

This display warns you that for correct maintenance you must use the transaction numbers from the LIFO/FIFO Transaction File Maintenance Edit List (AMI6H) printed on the time and date indicated.

This display appears when you select option 4 on the Period Closing Activity menu (AMIM60).

```
DATE **/**/**          **** TRANSACTION MAINTENANCE          AMI6H2 **  
  
***** W A R N I N G *****  
  
TRANSACTION SAVE FILE WAS LAST PURGED AND LISTED  
  
TRANSACTION MAINTENANCE MUST BE PERFORMED USING  
THE **** NUMBERS FROM THIS REPORT  
  
F24 CANCEL THE JOB
```

What to do

To continue, press **Enter**. The LIFO or FIFO Transaction Maintenance (Select) display (AMI6H3) appears.

Function keys

F24 CANCEL THE JOB causes the Period Closing Activity menu (AMIM60) to appear again.

Fields

You cannot enter any information on this display.

AMI6H3—LIFO or FIFO Transaction Maintenance (Select)

Use this display to add, change, or delete a LIFO or FIFO transaction record.

This display appears when you press **Enter** on display AMI6H2 or you select **F19** or press **Enter** on displays AMI6H4, AMI6H5, AMI6H6, or AMI6H7.

```
DATE **/**/**          **** TRANSACTION MAINTENANCE   SELECT   AMI6H3  **  
  
LIFO NUMBER          nnnnnnn  
  
A-ADD  
C-CHANGE  
D-DELETE  
  
ACTION A  
  
F24 DISPLAY STATUS
```

What to do

To add, change, or delete a record, type in the transaction number and action code and press **Enter**. Depending on the action code you type in, one of the following displays appears:

- A** AMI6H4
- C** AMI6H5
- D** AMI6H6

Function keys

F24 DISPLAY STATUS causes the LIFO or FIFO Transaction Maintenance (Status) display (AMI6H7) to appear.

Fields

LIFO NUMBER or FIFO NUMBER. Depending on the type of transaction list you ran last (option 3 on the Period Closing Activity (AMIM60) menu), the LIFO or FIFO number appears in this field.

Using the LIFO/FIFO Transaction File Maintenance Edit List, type in the number of the transaction you want to change or delete. This field is not required if you are adding a record.

ACTION. Type in **A**, **C**, or **D** for the type of maintenance you want to perform.

AMI6H4—LIFO or FIFO Transaction Maintenance (Add)

Use this display to add records to the LIFO/FIFO Transaction Save file.

This display appears when you enter A in the **ACTION** field on the LIFO or FIFO Transaction Maintenance Select display (AMI6H3).

DATE **/**/**	**** TRANSACTION MAINTENANCE	ADD	AMI6H4 **
RECORD CODE	A2		
WAREHOUSE	aA3		
ITEM NUMBER	aaaaaaaaaaaaA15		
ORDER NUMBER	aaaaaA7		
REFERENCE	aaaaaaaA10		
VENDOR	aaaaA6		
TRANS CODE	A2		
TRANS DATE	nnnnnn		
TRANS QTY	nnnnnnn.nnn		
TRANS AMT	nnnnnnnnnn.nnnn		
FIFO QTY	nnnnnnn.nnn		
FIFO AMT	nnnnnnnnnn.nn		
		F18 REFRESH SCREEN	
		F19 RETURN TO SELECT	
		F24 DISPLAY STATUS	

What to do

To add the LIFO or FIFO transaction, type in the requested information and press **Enter**. The record you entered is added to the LIFO/FIFO Transaction Save file and the LIFO or FIFO Transaction Maintenance (Select) display (AMI6H3) appears again for selection of the next transaction.

Function keys

F18 REFRESH SCREEN causes display AMI6H4 to appear again as it appeared when you first selected it.

F19 RETURN TO SELECT causes the LIFO or FIFO Transaction Maintenance (Select) display (AMI6H3) to appear again.

F24 DISPLAY STATUS causes the LIFO or FIFO Transaction Maintenance (Status) display (AMI6H7) to appear.

Fields

RECORD CODE (RCDCD). Required. Type in one of the following codes to identify the type of inventory transaction:

- M1** Receipt.
- M2** Cost adjustment.
- MX** The X is user-defined.

Contents	Index	Exit
--------------------------	-----------------------	----------------------

WAREHOUSE (HOUSE). Required if you have multiple warehouses defined in the Warehouse Master file. Type in the code of the warehouse associated with the item. If you have only one warehouse, the warehouse defined in the Warehouse Master file appears in this field and cannot be changed.

ITEM NUMBER (ITNBR). Required. Type in the item number affected by this inventory transaction.

ORDER NUMBER (ORDNO). Type in the order number for this transaction.

REFERENCE (REFNO). Type in the reference number you want to appear on displays or reports associated with the order and item number.

VENDOR (VNDNR). Type in the number of the vendor who supplied the item.

TRANS CODE (Transaction Code) (TCODE). Type in one of the following transaction codes:

CA	Cost adjustment
RC	Miscellaneous receipt
RM	Production receipt
RP	Purchase receipt to stock
RW	Interwarehouse receipt

TRANS DATE (Transaction Date) (TRNDT). Required. Type in the date of this transaction.

TRANS QTY (Transaction Quantity) (TRQTY). Type in the quantity of the item associated with this transaction.

TRANS AMT (Transaction Amount) (TRNAM). Type in the cost associated with this transaction.

Depending on the valuation method last selected for LIFO/FIFO Transaction Purge and List, as indicated on the LIFO/FIFO Transaction Maintenance (Warning) display (AMI6H2) LIFO or FIFO appears in the following fields.

LIFO QTY or FIFO QTY (LIQTY or FIQTY). Type in the portion of the transaction quantity (TRQTY) used in calculating the inventory valuation for this item/warehouse. When this record is added through Inventory Transaction processing (menu AMIM30, options 1 and 4), this field contains the transaction quantity. When this record is added through LIFO/FIFO Transaction Maintenance, this field must be entered and should be equal to the transaction quantity field. This quantity is then adjusted if only a portion of it is needed to value the remaining quantity on hand during a LIFO/FIFO Valuation run (menu AMIM60, option 2).

LIFO AMT or FIFO AMT (LIAMT or FIAMT). Type in the portion of the transaction amount (TRNAM) used in calculating the inventory valuation for this item/warehouse. When this record is added through Inventory Transaction processing (menu AMIM30, options 1 and 4), this field contains the transaction amount. When this record is added through LIFO/FIFO Transaction Maintenance, or when the transaction amount is added or changed to reflect a cost adjustment (CA transaction), this field must be entered and should be equal to the transaction amount field. This amount is then adjusted in proportion to the LIFO or FIFO QTY if only a portion of the transaction quantity is needed to value the remaining quantity on hand during a LIFO/FIFO Valuation run (menu AMIM60, option 2).

AMI6H5—LIFO or FIFO Transaction Maintenance (Change)

Use this display to change existing records within the LIFO/FIFO Transaction Save file.

This display appears when you enter C in the **ACTION** field on the LIFO or FIFO Transaction Maintenance (Select) display (AMI6H3).

```
DATE **/**/**          LIFO TRANSACTION MAINTENANCE    CHANGE    AMI6H5  **

LIFO NUMBER          *****
RECORD CODE          **

WAREHOUSE            ***
ITEM NUMBER          *****

ORDER NUMBER         aaaaaA7
REFERENCE             aaaaaaA10
VENDOR               aaaaA6
TRANS CODE           A2
TRANS DATE           nnnnnn
TRANS QTY            nnnnnnn.nnn
TRANS AMT            nnnnnnnnnn.nnnn

LIFO QTY             nnnnnnn.nnn
LIFO AMT             nnnnnnnnnn.nn

F18 REFRESH SCREEN
F19 RETURN TO SELECT
F24 DISPLAY STATUS
```

What to do

To change the LIFO or FIFO transaction, type in the information you need to change and press **Enter**. The transaction record is updated and the LIFO or FIFO Transaction Maintenance (Select) display (AMI6H3) appears again for selection of the next transaction.

Function keys

F18 REFRESH SCREEN causes display AMI6H5 to appear again as it appeared when you first selected it.

F19 RETURN TO SELECT causes the LIFO or FIFO Transaction Maintenance (Select) display, AMI6H3, to appear again.

F24 DISPLAY STATUS causes the LIFO or FIFO Transaction Maintenance (Status) display, AMI6H7, to appear.

Fields

The **LIFO NUMBER** or **FIFO NUMBER** field, entered on the LIFO or FIFO Transaction Maintenance (Select) display (AMI6H3), and the **RECORD CODE**, **WAREHOUSE**, and **ITEM NUMBER** fields cannot be changed. All other fields on this display are

Contents	Index	Exit
--------------------------	-----------------------	----------------------

optional and can be changed. See "AMI6H4—LIFO or FIFO Transaction Maintenance (Add)" for a description of these fields.

AMI6H6—LIFO or FIFO Transaction Maintenance (Delete)

Use this display to delete records within the LIFO/FIFO Transaction Save file.

Depending on the type of valuation record you are deleting, the display shows LIFO or FIFO information.

This display appears when you enter D in the **ACTION** field on the LIFO or FIFO Transaction Maintenance (Select) display (AMI6H3).

```
DATE **/**/**          LIFO TRANSACTION MAINTENANCE    DELETE    AMI6H6  **

LIFO NUMBER          *****
RECORD CODE          **

WAREHOUSE            ***
ITEM NUMBER          *****

ORDER NUMBER         *****
REFERENCE             *****
VENDOR               *****
TRANS CODE           **
TRANS DATE           **/**/**

F19 RETURN TO SELECT
F24 DISPLAY STATUS
```

What to do

To delete records in the LIFO/FIFO Transaction Save file, check the LIFO or FIFO transaction number and press **Enter**. The transaction record shown is deleted and display AMI6H3 appears again to allow selection of the next transaction.

Function keys

F19 RETURN TO SELECT causes no record deletion to occur and the LIFO or FIFO Transaction Maintenance (Select) display (AMI6H3) to appear again.

F24 DISPLAY STATUS causes the LIFO or FIFO Transaction Maintenance (Status) display (AMI6H7) to appear.

Fields

All of the fields on this display are informational only. See "AMI6H4—LIFO or FIFO Transaction Maintenance (Add)" for a description of these fields.

AMI6H7—LIFO or FIFO Transaction Maintenance (Status)

Use this display to review the number of records added, changed, or deleted in the LIFO/FIFO Transaction Save file or to end the job.

This display appears when you select **F24** on display AMI6H3, AMI6H4, AMI6H5, or AMI6H6.

```
DATE **/**/**          **** TRANSACTION MAINTENANCE      STATUS      AMI6H7  **

                                LIFO/FIFO
                                TRANSACTION
                                SAVE
SESSION STATUS              FILE
RECORDS ADDED               *,***,***
RECORDS CHANGED             *,***,***
RECORDS DELETED             *,***,***

                                F24 END OF JOB
```

What to do

- To return to the display from which you selected **F24**, press **Enter**. Display AMI6H3, AMI6H4, AMI6H5, or AMI6H6 appears again.
- To end the session, use **F24**. The LIFO/FIFO Transaction File Maintenance Edit List is scheduled for printing, and the Period Closing Activity menu (AMIM60) appears again.

Function keys

F24 END OF JOB causes the Period Closing Activity menu (AMIM60) to appear again.

Fields

All of the fields on this display are informational only.

SESSION STATUS. The status of the current file maintenance session.

RECORDS ADDED. The number of records added during this session.

RECORDS CHANGED. The number of records changed during this session.

RECORDS DELETED. The number of records deleted during this session.

Chapter 9. File Maintenance

If you select option 7 from the Main Menu, the File Maintenance menu (AMIM70) appears. This menu has options that allow you to maintain the Inventory Management master files. You can maintain Item Master and Item Balance/Item Plan files offline, using option 14.

Interactive file maintenance displays can lock out other jobs, both in the job queue and at other work stations. When using a file maintenance display, either make your selection immediately, display, or cancel the job. Do not leave it on the screen any longer than necessary.

Some options are not available when other applications are interfacing. See the information about the options beginning on the next page for more details.

Option 1. Item Master (AMIM70)	9-6
Option 2. Item Balance (AMIM70)	9-30
Option 3. Purchase Order Item Detail (AMIM70)	9-59
Option 4. Purchase Order Blanket Release Detail (AMIM70)	9-66
Option 5. Mfg Order Master (AMIM70)	9-74
Option 6. Mfg Order Detail (AMIM70)	9-82
Option 7. Shop Packet Reprint (AMIM70)	9-90
Option 8. Work with Calendars (AMIM70)	9-96
Option 9. Location Control (AMIM70)	9-108
Option 1. Batch/Lot Quality Control Status (AMIM79)	9-109
Option 2. Batch/Lot Numbers (AMIM79)	9-115
Option 3. Location Detail (AMIM79)	9-121
Option 4. Quality Control Areas (AMIM79)	9-141
Option 5. Bulk Store Areas (AMIM79)	9-145
Option 6. Location Quantity Audit (AMIM79)	9-149
Option 10. On-Order Quantity Audit (AMIM70)	9-151
Option 11. Allocation Quantity Audit (AMIM70)	9-152
Option 12. Work With Warehouses (AMIM70)	9-153
Option 13. Code Files (AMIM7D)	9-170
Option 14. Offline Maintenance (AMIM70)	9-181

```

AMIM70                               Inventory Management          *****
                                   File Maintenance

Type option or command; press Enter.

  1. Item Master
  2. Item Balance
  3. Purchase Order Item Detail
  4. Purchase Order Blanket Release Detail
  5. Mfg Order Master
  6. Mfg Order Detail
  7. Shop Packet Reprint
  8. Work with Calendars >>

  9. Location Control >>
 10. On-Order Quantity Audit
 11. Allocation Quantity Audit
 12. Work with Warehouses
 13. Code Files >>

==> _____+
F3=Exit      F4=Prompt      F7=Backward  F8=Forward   F9=Retrieve
F10=Actions  F11=Job status  F12=Return  F22=Messages

```

```

AMIM70                               Inventory Management          *****
                                   File Maintenance

Type option or command; press Enter.

 14. Offline Maintenance >>

==> _____
F3=Exit      F4=Prompt      F7=Backward  F8=Forward   F9=Retrieve
F10=Actions  F11=Job status  F12=Return  F22=Messages

```

Option 1. Item Master. Use this option to perform online maintenance on the Item Master file.

If EPDM is activated and or PDM is interfacing, file maintenance to the Item Master file must be done using Item Revision Maintenance in EPDM.

Option 2. Item Balance. Use this option to perform online maintenance on the Item Balance file.

Option 3. Purchase Order Item Detail. Use this option to perform online maintenance on the Purchase Order Item Detail file. This option is not valid if Purchasing is installed and interfacing. See the Purchasing User's Guide for further information.

Option 4. Purchase Order Blanket Release Detail. Use this option to perform online maintenance on the Purchase Order Blanket Release Detail file. This option is not valid if Purchasing is installed and interfacing.

Option 5. Mfg Order Master. Use this option to perform online maintenance on the Manufacturing Order Detail Master file.

Option 6. Mfg Order Detail. Use this option to perform online maintenance on the Manufacturing Order Master file.

Option 7. Shop Packet Reprint. Use this option to reprint the shop packet. Always reprint shop packets following Manufacturing Order Detail file maintenance. This makes sure your hardcopy accurately reflects the current status of material on orders.

Option 8. Work with Calendars. Use this option to work with calendars.

Option 9. Location Control. Use this option to show the Location Control menu (AMIM79).

Option 10. On-Order Quantity Audit. Use this option to perform an audit of the on-order quantities in the Item Balance file. No work station display is associated with this option. Running this option locks out other MAPICS XA jobs that use the same files.

Option 11. Allocation Quantity Audit. Use this option to perform an audit of the manufacturing allocation quantity in the Item Balance file. No work station display is associated with this option. Use this option only when there are no other users on the system. Until execution is completed, it locks out other MAPICS XA jobs using the same files.

Option 12. Work with Warehouses. Use this option to perform online maintenance on the Warehouse Master file.

Option 13. Code files. Use this option to add, change, or delete the code values your company uses for certain data fields. This option takes you to the Code File Maintenance menu. The fields for which you define code values appear as options on the Code File Maintenance menu.

Option 14. Offline Maintenance. Use this option to perform offline maintenance on Item Master and Item Balance/Item Plan files. Menu AMIM7E appears so you can choose the appropriate file.

When EPDM is activated, you cannot use the option for Item Master maintenance on Menu AMIM7E. You then must use the EPDM application to perform that task.

Application tailoring options

The Install/Tailor Questionnaire gives you the option of printing an edit listing showing changes made during file maintenance. The advantage of printing and saving a record of change activities is to provide an audit trail of the past (history) which can be used if a system interruption (power failure) occurs.

If purchase order tracking is not supported, options 3 (Purchase Order Item Detail) and 4 (Purchase Order Blanket Release Detail) on the File Maintenance menu are not operational.

If manufacturing order tracking is not supported, options 5 (Manufacturing Order Master), 6 (Manufacturing Order Detail), and 7 (Shop Packet Reprint) on the File Maintenance menu are not operational.

How to use online file maintenance

All Inventory Management online file maintenance occurs using immediate update. The following groups of displays are used to maintain the master files.

Because it is impractical to lock out certain functions, file maintenance should be scheduled for times when the file being maintained is not being updated by another function. Concurrent master file maintenance lets multiple users maintain the same master file at the same time.

The online file maintenance procedures enable you to perform two main functions:

- Add or change many records in one or more files.
- Correct errors in a few records.

Use the edit to verify results; you should save these listings for an audit trail to show completed activity if a recovery operation is needed.

You should avoid changing on hand quantity or cost fields through maintenance. Changes to these fields should be accomplished using transactions. However, if you must change the value of on hand inventory using file maintenance, you should manually calculate the amount of the change and post this change to your accounting controls. Refer to Chapter 16 "Accounting controls and audits".

Restart considerations

Because of possible multiple file updates, a procedure may not be restartable and your files must be restored. If you suspect that this is the case, you should select the Check Job Status option (option 2) on the Cross Application menu (AMZM10). In some cases, a job will restart automatically in the job queue when you try to run another job. The system will inform you when this happens.

Option 1. Item Master (AMIM70)

Use this option when you need to add a new item to the Item Master file, change or delete an item already in the file, or set defaults for a file maintenance session. You cannot perform Item Master file maintenance if product costing is running.

When EPDM is activated, file maintenance to this file must be done using Item Revision Maintenance in EPDM.

The Item Master file contains at least two general information records (A-record and A-record extension) for each unique item number. The records contain required fields and have general item and pricing/material planning information.

The Item Master file contains a costing information record (B-record) for each item if any one of the following conditions is true:

- You chose product costing during application tailoring.
- The full version of Material Requirements Planning (MRP) is installed and interfacing.
- Master Production Schedule Planning (MPSP) is installed and interfacing.

The B-record contains optional fields and has costing and planning information. You can add, change, or delete costing information in the Item Master file B-record only if PDM product costing was selected during application tailoring or if the full version of Material Requirements Planning is installed and interfacing with PDM.

The Item Master file has a purchasing information record (C-record) for each purchased item if Purchasing is installed and interfacing. The C-record contains optional fields and purchasing information.

Notes:

1. When you want to delete an item, the A-record, A-record extension, B-record, and C-record for that item are deleted. Also, for any item you delete, you automatically delete the Item Foreign Currency Price file records and Item Foreign Language file records that have the same item number as the deleted item.
2. When you want to delete an Item master record, the application checks to make sure that no active balance records, open purchase orders, manufacturing orders, planned orders, and customer orders exist for the item. If they exist or if the item is a component of a higher level item, you cannot delete the item. You must also delete the product structure and routing records for every item you want to delete.

If Knowledge Based Configurator (KBC) is interfacing and the item is a configured item, you cannot delete the item here.

3. If MPSP is installed and interfacing, and the item is a production family or an end item assigned to a production family (family member), you must use MPSP production family file maintenance to delete the family or member from the Production Family Relationship file before you can delete the item from the Item Master file.
4. If MRP or MPSP is installed and interfacing, and you want to delete an item that is coded as a master level item, you must first change the Master Level Item Code to blank and the Order Policy Code to B or C. This automatically removes all

Contents	Index	Exit
--------------------------	-----------------------	----------------------

planned orders and requirements for the item after the next MRP or MPSP planning run. After the next MRP or MPSP planning run is complete, delete the item using Item Master file maintenance.

5. If Maintenance Management System (MMS) is integrated, MRO items are stored in the MMS Item Master file and production items are maintained in IM. Item numbers, however, must be unique between the two systems. In Add mode, the Item Master maintenance will edit the item number against the MMS Item Master file. If one is found, you will get a message that the item already exists as an MRO item.

What information you need: Completed forms PM-01, PM-02, PM-03, and PM-04.

What reports are printed:

- Item Master File Maintenance Control Sheet (AMVT0)
- Item Master File Maintenance (AMVT0).

What forms you need: PM-01, PM-02, PM-03, and PM-04.

The basic steps to maintain files follow each display.

AMVT01—Item Master File Maintenance (Select)

Use this display to select the type of Item Master file maintenance you want to do and to enter the number of the item you want to maintain.

This display appears when you select option 1 on the IM File Maintenance menu (AMIM70), or option 1 on the Purchasing File Maintenance menu (AM6M60), or when you press **Enter** or **F19** (Return to Select) on any of the following displays: AMVT02, AMVT03, AMVT04, AMVT05, and AMVT06.

```

DATE **/**/**          ITEM MASTER FILE MAINTENANCE    SELECT    AMVT01  **

                        ENTER-
                        ITEM      aaaaaaaaaaA15
                        ACTION   A
                        DISPLAY  A

SELECT ACTION-
A ADD
C CHANGE
D DELETE
S SET DEFAULTS FOR SESSION

SELECT DISPLAY TO APPEAR FIRST-
1 ALL DISPLAYS (IN SEQUENCE)
2 GENERAL INFORMATION
3 ADDITIONAL INFORMATION
4 COSTING INFORMATION
5 PURCHASING INFORMATION

                                F23 STATUS
                                F24 END OF JOB

```

What to do

Depending on the action code and display code you selected, pressing **Enter** causes one of the following displays to appear:

Action	Display Code	Display
Add	1. All displays in sequence	AMVT02
	2. General Information	AMVT02
Change	1. All displays in sequence	AMVT02
	2. General Information	AMVT02
	3. Additional Information	AMVT03
	4. Costing Information	AMVT04
	5. Purchasing Information	AMVT05
Delete	1. All displays in sequence	AMVT02
	2. General Information	AMVT02
	3. Additional Information	AMVT03
	4. Costing Information	AMVT04
	5. Purchasing Information	AMVT05

Action	Display Code	Display
Set Defaults	1. All displays in sequence	AMVT02
	2. General Information	AMVT02
	3. Additional Information	AMVT03
	4. Costing Information	AMVT04
	5. Purchasing Information	AMVT05

Function keys

F23 STATUS ignores the information you typed in and causes display AMVT06 to appear.

F24 END OF JOB ignores the information you typed in and causes the menu to appear again. The Item Master File Maintenance Report is printed.

Fields

[\[?\]](#) appears next to a field name in the following field definitions to identify a field from which you can begin a master file search.

ITEM (ITNBR) [?]. Required except when you want to set defaults for a session. For all actions except S, type in the number of the item you want to add or maintain.

For action A, if MMS is interfacing, the item number must be unique. It must not already exist in MMS as an MRO item.

For action S, the item number is optional. Type in the item number if you want to use the item's existing information to set defaults for this session. Leave the **ITEM** field blank to set new defaults for this session.

SELECT ACTION. Required except when you want to set defaults for a session. Select and type in one of the following action codes:

- A** Add
- C** Change
- D** Delete
- S** Set defaults for session.

Notes:

1. You cannot delete an item from the Item Master file if any of the following conditions exist:
 - The item has active balance records, open purchase orders, open manufacturing orders, planned orders, or open customer orders.
 - The item is a component of a higher-level item.
 - The item has product structure and routing record.

In addition, you cannot delete an item from the Item Master file if Master Production Schedule Planning (MPSP) is installed and interfacing, and if any of the following conditions exist:

- The item is assigned to a production family.
- The item is a production family with members assigned to it.

[Contents](#)[Index](#)[Exit](#)

2. Use action code S to set defaults for a file maintenance session. If you want to copy an existing item's information to use as defaults, type in that item's number in the **ITEM** field. If you want to create new defaults, leave the **ITEM** field blank. The defaults you set override any existing defaults and are in effect only for the current file maintenance session.

SELECT DISPLAY TO APPEAR FIRST. Required except when you want to set defaults for a session. Type in one of the following display codes. If you are adding an item (action A), the only valid display codes are 1 or 2. All display codes are valid for changing an item (action C), deleting an item (action D), and setting defaults for a file maintenance session (action S).

- 1 All Displays (In Sequence)
- 2 General Information
- 3 Additional Information
- 4 Costing Information
- 5 Purchasing Information.

Note: Display Code 4 is valid only if B-records are in the Item Master file; that is, if product costing was selected during Product Data Management (PDM) application tailoring or if Material Requirements Planning (MRP) is installed. Display Code 5 is valid only if C-records are in the Item Master file; that is, if Purchasing is installed.

AMVT02—Item Master File—General Information (Add/Change/Delete/Set Defaults)

Use this display to add, change, or delete general item information for the item number or to set defaults for general item information for this file maintenance session.

This display appears when you select action A (add), C (change), D (delete) or S (set defaults) and either option 1, All Displays (in sequence), or option 2, General Item Information (A-Record), on display AMVT01. It also appears when you select **F03 PREV DISPLAY** on display AMVT03.

```

DATE **/**/**          ITEM MASTER FILE          ADD          AMVT02 **
                        -GENERAL INFORMATION-
ITEM AND                INVENTORY
DESCRIPTION aaaaaaaaaaaaaaaaaaaaaaaaaA30      ENGR DRAWING aaaaaaaaaA15

STOCKING UNIT OF MEASURE      A2      ITEM TYPE CODE          n
UNIT COST DEFAULT  nnnnnnnnnn.nnnnnnnn      ITEM CLASS              aaA4
UNIT WEIGHT          nnnn.nnnn              WEIGHT UNIT OF MEASURE  A2
ORDER UNIT OF MEASURE CLASS  nn              WAREHOUSE STOCK LOCATION aaaaaA7
ALTERNATE ITEM  nnnnnnnnnnnnnnnnnnnnnnnnn  VENDOR-PRIMARY         aaaaA6
DEPARTMENT          nnnn                    ITEM ACCOUNTING CLASS  aA3
CARRYING RATE       .nnnn                    VALUE CLASS            A
STD SETUP COST/LOT  nnnnnnnnnnnn.nnnnnnnn  PACKING CODE           A2
STD BATCH QTY       nnnnnnnn.nnnn           INVENTORY CODE         n
BILL OF LADING COMMODITY CODE aaaaaaA8      QC CONTROL             n
PURCHASE TAX INDICATOR      aA3          SHELF LIFE             nnnn
SALES TAX INDICATOR        aA3          BATCH/LOT CTL          n
PRINT ON SALES ANALYSIS    n              INSPECT ON RCPT        n
ITEM TAX CLASS            aaaaaaaaaA15      DISCRETE ALLOC         n
DATE LAST MAINTAINED      *****  KIT EXTERNAL DOCUMENT PRINT OPT n
LAST MAINTAINED BY       *****
                                F02 NEXT DISPLAY
                                F15 NOTE TASKS
                                F18 REFRESH
                                F19 RETURN TO SELECT

```

What to do

- If you selected option 1, All Displays (in Sequence), on display AMVT01, press **Enter** to work with additional information for the item. Go to display (AMVT03).
- If you selected option 2, General Information or used **F03** on display AMVT03 or if there are no B-records in the Item Master file, press **Enter** to update the Item Master File accordingly. Go back to the Item Master Maintenance (Select) display (AMVT01).

Note: The Item Master file is updated with information maintained on any of the following displays: AMVT02, AMVT03, AMVT04, or AMVT05.

Function keys

F02 NEXT DISPLAY causes display AMVT03 to appear.

F15 NOTE TASKS allows you to access the Note Tasks function. If a note exists, an icon, @, appears in the upper right corner of the display. For more information on this function, see the *Planning and Installing MAPICS XA* book.

F18 REFRESH erases any information you typed in and shows you AMVT02 as it first appeared.

F19 RETURN TO SELECT ignores the information you just entered and causes display AMVT01 to appear again.

Fields

[?] appears next to a field name in the following field definitions to identify a field from which you can begin a master file search.

When you use enter a question mark in one of the fields listed below, you can search, select, or add a code value. To change or delete a code value, use the Code Files option on the file maintenance menu for this application. This applies to the following fields:

BILL OF LADING COMMODITY CODE
ITEM CLASS
ORDER UNIT OF MEASURE CLASS
STOCKING UNIT OF MEASURE
WEIGHT UNIT OF MEASURE

In Add, Change or Set Defaults mode, **DESCRIPTION**, **STOCKING UNIT OF MEASURE**, and **ITEM TYPE CODE**, are required, and in Delete mode, all fields are informational.

Note: Do not enter negative values in numeric fields.

The **UNIT COST DEFAULT** and **STD SETUP COST/LOT** fields do not appear on the display if you do not have the proper security level for maintaining Item Master cost fields.

ITEM (ITNBR). This field shows the number of the item you entered on display AMVT01. If KBC is interfacing and this is a configured item, the word CONFIGURED appears beside the item number.

INVENTORY DESCRIPTION. This field appears below the display ID and has no heading. This field shows one of four different categories depending on the inventory code:

INVENTORY	If the item is an inventory item
MISCELLANEOUS	If the item is a miscellaneous item
SERVICE	If the item is a service item
UNSTOCKED	If the item is not stocked (no Item Balance file record).

Refer to the *Material Requirements Planning User's Guide* for more information on the following fields:

VENDOR-PRIMARY
CARRYING RATE
STD SETUP COST/LOT

DESCRIPTION (ITDSC). Type in the description of the item that is to appear on inquiries and reports.

ENGR DRAWING (Engineering Drawing) (ENGNO). Type in the number identifying the drawing of an end product or item.

STOCKING UNIT OF MEASURE (UNMSR) [?]. Type in the code (user assigned) that defines the measurement basis of onhand quantity and issue quantity for this item; for example, EA (each), KG (kilogram), or CM (centimeter).

ITEM TYPE CODE (ITYP). Code that best describes the type of item:

0	Phantom
1	Assembly or subassembly
2	Fabricated item
3	Raw material
4	Purchased item
9	User option (Special)
F	Feature
K	Kit

Notes:

1. If MPSP is installed and interfacing, and the Master Scheduled Item (MSI) code is P, the only valid item type code is 0 (Phantom). See "AMVT03—Item Master File—Additional Information (Add/Change/Delete/Set Defaults)" for a definition of the master scheduled item codes.
2. Item type code 9 (user option) may have purchase, purchase overhead (calculated), labor, labor overhead, and components. If you select item type code 9, labor and labor overhead (this level) are calculated from the routing (cost technique code = R) or from the Labor/Overhead Table (cost technique code = T). Or, if the cost technique code is blank, you must manually enter purchase, labor, and labor overhead costs. PDM does not roll up lower-level costs when the item type is 9 and you must always manually enter purchase cost. Purchase overhead is calculated based on the Purchase Overhead Table code and user-entered purchase content. The lower-level cost fields of an item type 9 are forced to zero, even if the item has components.
3. A kit must have an inventory code of 4 (unstocked item).

UNIT COST DEFAULT (UCDEF). Type in the cost to your company for one unit of the item. Inventory Management (IM) and Customer Order Management (COM) use this field only if the cost field (standard, average, or last) is blank in the Item Balance file. If PDM product costing was selected during application tailoring and IM is installed and interfacing, IM can optionally (during period-end close) change the value in this field to the value of the standard unit cost contained in the Item Master B-record. Forecasting (FCST), if installed and interfacing, can use this field to cost forecast/projection quantities.

ITEM CLASS (ITCLS) [?]. Type in the code (user-assigned) that describes the classification to which this item belongs; for example, ST might be used to code all items made of steel.

Note: Uses of the item class code include the following:

- FCST, if installed and interfacing, can use this field to classify items that have been coded as master level items (MLI codes M or S).
- Sales Analysis can be performed using item class.
- PDM product costing allows percentage change of purchase content (cost) for all items having a specific item class.
- Several PDM and IM reports allow limits to be set using item class and can also be sequenced using item class.

[Contents](#)[Index](#)[Exit](#)

- MPA, if installed and interfacing, can use this field to group item measurement data.

UNIT WEIGHT (WEGHT). Type in the weight of one unit of the item. This field can be used by both COM and MRP (if installed and interfacing).

WEIGHT UNIT OF MEASURE (XBCQCD) [?]. The unit of measure for the weight of this item.

ORDER UNIT OF MEASURE CLASS (XBC8CD) [?]. A code defined by your company used to group or classify items with functionally equivalent units of measure.

WAREHOUSE STOCK LOCATION (WHS LC). Type in the code (user assigned) indicating the location of the item in the warehouse.

Note: IM transaction processing uses the stock location defined in the Item Balance file.

ALTERNATE ITEM (XOEMNS). A user-defined identifier for this item used for informational purposes. For example, it can be a UPC number or an OEM number. It may be sent on EDI documents using Electronic Commerce (EC).

VENDOR-PRIMARY (VNDNR) [?]. Type in the number of the primary supplier of the item. If MRP is installed and interfacing, and items are to be printed on MRP's Purchase Planning report, this field cannot be blank. If Accounts Payable or Purchasing is installed, this field is edited against the Vendor Master file and a warning message is issued if the Vendor Master record does not exist.

DEPARTMENT (DPTNO). Type in the department number for this item. This field is informational only.

ITEM ACCOUNTING CLASS (ITAC). [Class, defined by your company, to group or classify items for accounting purposes.](#)

CARRYING RATE (Inventory Carrying Rate) (CARRY). Type in the value used by MRP and MPSP (if installed and interfacing) in lot sizing the planned orders when the order policy code for this item is F or I. This value is expressed as a percentage of the item cost-to-carry inventory for one year and is used as an override to the standard carrying rate entered during IM application tailoring. This field is needed only for items with an exceptional (nonstandard) carrying rate.

VALUE CLASS (VALUC). Type in the user-assigned code that identifies the importance of the item. For example, the classes may be A, B, or C. FCST, if installed and interfacing, can use this field to classify items that have been coded as master level items (MLI codes M or S).

STD SETUP COST/LOT (Standard Setup Cost per Lot) (STDSU). Type in the total standard cost of setting up a production run for this item per lot. This field is used by IM's economic order quantity calculation and the lot sizing formula in MRP and MPSP, if installed and interfacing.

PACKING CODE (PACKC). Type in the appropriate Interstate Commerce Commission Packing Code for this item.

Contents	Index	Exit
--------------------------	-----------------------	----------------------

STD BATCH QTY (Standard Batch Quantity) (SBQTY). Type in the quantity that makes up a batch of this parent item. The quantity of each component in the parent item's product structure expresses the quantity required to make a standard batch quantity of the parent item. This quantity can be based on a capacity constraint (such as vessel size), an expected yield, or a production goal. It can also serve as a multiplier to improve the level of precision required for components which are used in very small quantities compared to one unit of the end-item. If a quantity greater than one is entered, the component usage quantities are relative to this number.

For example, if a parent item is produced in batches of five gallons, the quantity requirements for components (quantity per) are based on producing five gallons of the parent instead of one gallon. MPSP can use this field to calculate the quantities for resource profiles. Standard batch quantity can provide the basis for a bill of material for an item with a quantity other than one. The default is 1.

INVENTORY CODE (INVFG). Type one of the following codes to classify this item in inventory:

- 1 Inventory item
- 2 Miscellaneous item
- 3 Service item
- 4 Unstocked item (valid only for item type code = K).

BILL LADING COMMODITY CODE (XBFOCD) [?]. A code defined by your company that groups or classifies items for a bill of lading. Different types of products can be grouped by commodity code.

QC CONTROL (QCTYP). Type a number that shows if this item requires quality control inspection.

- 1 The item requires quality control inspection. The **SHELF LIFE** field cannot be zero and the **BATCH/LOT CONTROL** field must be 1.
- 0 The item does not require quality control inspection. The **SHELF LIFE** field must be zero and the **BATCH/LOT CONTROL** field can be either 1 or 0.

PURCHASE TAX INDICATOR (PTAXI) [?]. Type in the user-defined code to classify the item for taxing during Purchasing and Accounts Payable activity.

SHELF LIFE (Shelf Life in Days) (QCDAY). If shelf life is required, type in a number of days from 1 to 9999 that represents the shelf life for this item. At the end of the number of days shown, this item needs to be inspected again. If the **QC CONTROL** field is 0, the **SHELF LIFE** field must be 0.

SALES TAX INDICATOR (STAXI) [?]. Type in the user-defined code to classify the item for taxing during Customer Order Management and Accounts Receivable activity.

BATCH/LOT CONTROL (Batch/Lot Control) (BLCF). Type in a code that indicates whether this item requires batch/lot control. The valid codes are:

- 1 The item requires batch or lot control.
- 0 The item does not require batch or lot control.

Note: You must enter **1** if KBC is interfacing and this item is a configured item.

[Contents](#)[Index](#)[Exit](#)

PRINT ON SALES ANALYSIS (SAFLG). A code that indicates if information about this item is printed on the Sales Analysis reports.

- 1** The information is printed.
- 0** The information is not printed.

INSPECT ON RECEIPT (Inspect on Receipt) (INTYP). Type in one of these codes to indicate whether this item needs to be inspected before it is received to stock:

- 1** The item requires inspection.
- 0** The item does not require inspection.

ITEM TAX CLASS. The tax classification of an item that allows you to group items for tax purposes and tax code. It can apply to one or many items. Appears only if IFM is installed and interfacing.

DISCRETE ALLOCATION (ALLOC). Type in one of these codes to indicate whether this item can be allocated to manufacturing or customer orders:

- 1** The item can be allocated to manufacturing or customer orders.
- 0** The item cannot be allocated to manufacturing or customer orders.

DATE LAST MAINTAINED (MDATE). This field shows the date this Item Master record was last maintained. This field appears on Change, Delete and Set Defaults displays.

KIT EXTERNAL DOCUMENT PRINT OPTION (XIQST). A code that indicates whether an external document is printed for the components of a kit. An external kit document for the parent is always printed.

- 1** An external document for the kit components is printed.
- 0** No external document for the kit components is printed.

LAST MAINTAINED BY (XBAHVN). The user ID of the person who last maintained the Item Master record for this item. This field appears on Change, Delete and Set Defaults displays.

AMVT03—Item Master File—Additional Information (Add/Change/Delete/Set Defaults)

Use this display to add, change, or delete pricing information for the item number or to set defaults for pricing information for the item for this file maintenance session.

This display appears when you press **Enter** or select **F02 NEXT DISPLAY** on display AMVT02, when you select **F03 PREV DISPLAY** on display AMVT04, or when you select option 3 on display AMVT01.

```

DATE **/**/**                ITEM MASTER FILE      SET DEFAULTS  AMVT03 **
                              -ADDITIONAL INFORMATION-  @
ITEM *****                *****
DESCRIPTION *****

COMMISSION PERCENT           nnnn.nnn
BASE PRICE EFFECTIVE DATE   nn/nn/nn  BASE PRICE           nnn.nnn
ITEM PRICE CLASS            aaA4  ITEM PRICE UNIT OF MEASURE  A2
WARRANTY PERIOD              nnnnn
WARRANTY UNIT OF MEASURE    A2
SERIAL NUMBER REQUIRED        A
COUNTRY OF ORIGIN           aA3
ITEM SALES GROUP            aaaA5  SPECIFIC GRAVITY       nnnnn.nnnn
TAX COMMODITY CODE          aaaaaA8  TAX WEIGHT/UNIT        nnnnn.nnnn
SUPPLEMENTAL WEIGHT         nnnnn.nnnn  SUPPLEMENTAL WEIGHT U/M  A2
UNIT VOLUME                  nnnn.nnn  VOLUME UNIT OF MEASURE  A2

DATE LAST MAINTAINED        **/**/**  LAST MAINTAINED BY     *****
                                                                    F02 NEXT DISPLAY
                                                                    F03 PREV DISPLAY
                                                                    F06 BASE PRICE MAINT
*** PRESS 'E N T E R' TO CONFIRM/DELETE THIS ITEM ***  F15 NOTE TASKS
                                                                    F18 REFRESH
                                                                    F19 RETURN TO SELECT

```

What to do

- If you selected option 1, All Displays (in sequence), on the display AMVT01 and there are costing records in the Item Master file, press **Enter** to work with costing information for the item. Go to display (AMVT04).
- If you selected option 3, Additional Information; if you used **F02** on display AMVT02 or **F03** on display AMVT04; or if there are no costing records in the Item Master file, press **Enter** to update the Item Master File accordingly. Go back to the Item Master File Maintenance (Select) display (AMVT01).
- To update pricing information for this item, use **F06**.

Note: **F06** appears on the display only if you are authorized to update pricing information.

The Item Master file is updated with information maintained on any of the following displays: AMVT02, AMVT03, AMVT04, or AMVT05.

Function keys

F02 NEXT DISPLAY causes display AMVT04 to appear. If there are no costing records in the Item Master file, this function key does not appear on the display.

F03 PREV DISPLAY causes display AMVT02 to appear.

F06 BASE PRICE MAINT causes display AMVB4EFR to appear. This function key appears in Change mode only.

F15 NOTE TASKS allows you to access the Note Tasks function. If a note exists, an icon, @, appears in the upper right corner of the display. For more information on this function, see the *Planning and Installing MAPICS XA* book.

F18 REFRESH erases any information you typed in and shows you AMVT03 as it first appeared.

F19 RETURN TO SELECT ignores the information you just entered and causes display AMVT01 to appear again.

Fields

[?] appears next to a field name in the following field definitions to identify a field from which you can begin a master file search.

When you use enter a question mark in one of the fields listed below, you can search, select, or add a code value. To change or delete a code value, use the Code Files option on the file maintenance menu for this application. The fields this applies to are:

COUNTRY OF ORIGIN
SUPPLEMENTAL WEIGHT UNIT OF MEASURE
WARRANTY UNIT OF MEASURE
VOLUME UNIT OF MEASURE

If you are in Add, Change, or Set Defaults mode, **ITEM** and **DESCRIPTION** are informational. If you are in Delete mode, all fields are informational.

Note: Do not enter negative values in numeric fields.

ITEM. This field shows the number of the item you entered on display AMVT01.

Inventory Description. This field appears below the display ID and has no heading. This field shows one of four different categories depending on the inventory code:

INVENTORY	If the item is an inventory item
MISCELLANEOUS	If the item is a miscellaneous item
SERVICE	If the item is a service item
UNSTOCKED	If the item is not stocked (no Item Balance file record)

DESCRIPTION (ITDSC). This field shows the description of the item you entered on display AMVT02. This description appears on inquiries and reports.

COMMISSION PERCENT (XBAPPC). The percent of commission a sales representative can make on this item.

BASE PRICE EFFECTIVE DATE (BPEDT). The date that the base price is effective. This field is used by the Customer Order Management (COM) application. It appears only in Add mode.

BASE PRICE (BPRIC). The base price that is defined for this item. This field is used by the Customer Order Management (COM) application. It appears only in Add mode.

ITEM PRICE CLASS (BPRCL). A user-defined code to group items into categories for pricing. Items assigned the same item price code must have the same pricing unit of measure. This field is used by the Customer Order Management (COM) application. It appears only in Add mode.

ITEM PRICE UNIT OF MEASURE (BPRUM\$). The unit of measure assigned for the item price class. This field is used by the Customer Order Management (COM) application. It appears only in Add mode.

WARRANTY PERIOD (XLBNB). The length of warranty for this item.

WARRANTY UNIT OF MEASURE (XHJCD) [?]. The unit of measure for the warranty period for this item.

SERIAL NUMBER REQUIRED (XIPST). A code that indicates whether or not the item is tracked by serial number. This field is used by the Customer Order Management (COM) application.

- 1** The item is tracked by serial number.
- 0** The item is not tracked by serial number.

COUNTRY OF ORIGIN CODE (XCOC) [?]. A code defined by your company that indicates where the item is manufactured.

ITEM SALES GROUP (XADSB). The user-defined sales group that includes this item. This field is used by the Market Monitoring and Analysis (MMA) application.

SPECIFIC GRAVITY (XKMVA). A ratio of the density of a material to the density of water. (Water = 1gm/ml.)

TAX COMMODITY CODE (XAAB2) [?]. A code defined by your company that defines this item for tax purposes.

TAX WEIGHT/UNIT (XAAS2). The weight of one unit for tax purposes. This field is defined by your company.

SUPPLEMENTAL WEIGHT (BAAS3). A supplementary weight for an item when the tax weight is given in another unit of measure. For instance if the tax weight is given in kilos, the supplementary weight could be in pounds.

SUPPLEMENTAL WEIGHT U/M (XAAPT) [?]. The unit of measure for the supplemental weight.

UNIT VOLUME (XZ93R). The volume of one unit of the item. This field is used by MRP and COM.

VOLUME UNIT OF MEASURE (XAAPT) [?]. The unit of measure for the volume for this item.

DATE LAST MAINTAINED (MDATE). This field shows the date this Item Master record was last maintained. This field appears on Change, Delete, and Set Defaults displays.

LAST MAINTAINED BY (XAHVN). The user ID of the person who last maintained the Item Master record for this item. This field appears on Change, Delete, and Set Defaults displays.

AMVT04—Item Master File—Costing Information (Add/Change/Delete/Set Defaults)

Use this display to add, change, or delete additional cost information for the item or to set defaults for cost information for the item for this file maintenance session.

This display appears only when B-records are in the Item Master file and you press **Enter** or select **F02 NEXT DISPLAY** on display AMVT03. This display also appears if you select option 4 on display AMVT01.

```

DATE **/**/**                ITEM MASTER FILE          SET DEFAULTS  AMVT04  **
                               -COSTING INFORMATION-          @
ITEM *****@*****
DESCRIPTION *****@*****
COST TECH CODE  A  LABOR HOURS  nnnnn.nnnn  STD LOT SIZE  nnnnnnn.nnn
                               -----CURRENT-----  -----STANDARD-----
                               TBL CODE  THIS LEVEL  TBL CODE  THIS LEVEL
MATERIAL                nnnnnnnnnn.nnnnnnnn  nnnnnnnnnn.nnnnnnnn
OUTSIDE OPERATIONS      nnnnnnnnnn.nnnnnnnn  nnnnnnnnnn.nnnnnnnn
PURCHASE OVERHEAD      A  *****  *****  A  *****  *****
SETUP LABOR            nnnnnnnnnn.nnnnnnnn  nnnnnnnnnn.nnnnnnnn
RUN LABOR              A  nnnnnnnnnn.nnnnnnnn  A  nnnnnnnnnn.nnnnnnnn
SETUP MACHINE          nnnnnnnnnn.nnnnnnnn  nnnnnnnnnn.nnnnnnnn
RUN MACHINE            nnnnnnnnnn.nnnnnnnn  nnnnnnnnnn.nnnnnnnn
MFG OVERHEAD          A  nnnnnnnnnn.nnnnnnnn  A  nnnnnnnnnn.nnnnnnnn
(Other 1)              nnnnnnnnnn.nnnnnnnn  nnnnnnnnnn.nnnnn
(Other 2)              nnnnnnnnnn.nnnnnnnn  nnnnnnnnnn.nnnnn
(Other 3)              nnnnnnnnnn.nnnnnnnn  nnnnnnnnnn.nnnnn
(Other 4)              nnnnnnnnnn.nnnnnnnn  nnnnnnnnnn.nnnnn
LAST MAINTAINED      **/**/**  BY *****
*** PRESS 'E N T E R' TO CONFIRM/DELETE THIS ITEM ***
F02 NEXT DISPLAY
F03 PREV DISPLAY
F15 NOTE TASKS
F18 REFRESH
F19 RETURN TO SELECT

```

What to do

- If you selected option 1, All Displays (in sequence), on display AMVT01 and there are C-records in the Item Master file, press **Enter** to work with purchasing information for the item. Go to display AMVT05.
- If you selected option 4, Costing Information; used F02 on display AMVT03 or **F03** on display AMVT05; or if C-records are not in the Item Master file, press **Enter** to update the Item Master File accordingly. Go back to the Item Master Maintenance (Select) display (AMVT01).

Note: The Item Master file is updated with information maintained on any of the following displays: AMVT02, AMVT03, AMVT04, AMVT05.

Function keys

F02 NEXT DISPLAY causes display AMVT05 to appear. If there are no C-records in the Item Master file, this function key does not appear on the display.

F03 PREV DISPLAY causes display AMVT03 to appear.

F15 NOTE TASKS allows you to access the Note Tasks function. If a note exists, an icon, @, appears in the upper right corner of the display. For more information on this function, see the *Planning and Installing MAPICS XA* book.

F18 REFRESH erases any information you typed in and shows you AMVT04 as it first appeared.

F19 RETURN TO SELECT ignores the information you just entered and causes display AMVT01 to appear again.

Fields

If you are in Add, Change, or Set Defaults mode, **ITEM**, **DESCRIPTION**, and **ITEM TYPE CODE** are informational only. If you are in Delete mode, all fields are informational.

Note: Do not enter negative values in numeric fields.

The current/standard cost element information does not appear on this display if you do not have the proper security level for maintaining Item Master cost fields. The **STD LOT SIZE**, **COST TECHNIQUE CODE**, and **LABOR HOURS** fields always appear on the display, but you cannot type anything in them without the proper security level.

ITEM (ITNBR). This field shows the number of the item you entered on display AMVT01.

Inventory Description. This field appears above the **ITEM TYPE CODE** field and has no heading. This field shows one of four different categories depending on the inventory code:

INVENTORY	If the item is an inventory item
MISCELLANEOUS	If the item is a miscellaneous item
SERVICE	If the item is a service item
UNSTOCKED	If the item is not stocked (no Item Balance file record). Applies to kit only.

DESCRIPTION (ITDSC). This field shows the description of the item you entered on display AMVT02. The description appears on inquiries and reports.

ITEM TYPE CODE (ITYP). Code that best describes the type of item:

0	Phantom
1	Assembly or subassembly
2	Fabricated item
3	Raw material
4	Purchased item
9	User option (Special)
F	Feature
K	Kit

Note: If you selected item type code 9 (user option), PDM does not roll up lower-level costs.

COST TECH CODE (CTECH). Type in the code used to identify the PDM labor costing technique to cost this item. The available codes are:

- blank** The this-level labor and manufacturing overhead values are not to be calculated by PDM product costing. The labor and manufacturing overhead costs that you enter are used.
- R** The this-level labor and manufacturing overhead costs for the item are calculated using the routing hours and the facility rates. Cost technique code R is not valid for item types 3 or 4.
- T** The this-level labor and manufacturing overhead costs for the item are calculated using the labor hours you enter on this display and from the values contained in the Labor/Overhead Table (indicated by the Labor/Overhead TBL codes on this display).

LABOR HOURS (LABHR). Type in the number of labor hours per standard batch quantity for this item. This number is multiplied by the Labor/Overhead Table rates in calculating the labor or manufacturing overhead cost for this-level per unit for this item. This field is used only when the cost technique code equals T.

STD LOT SIZE (Standard Lot Size) (LOTSZ). Type in the standard lot size of the item that is normally ordered. This quantity is used to apportion the setup cost per unit for the item. This field cannot be zeros if the cost technique code is R. MRP (if installed and interfacing) can use this field to determine a quantity based lead time. MPSP (if installed and interfacing) can use this field to calculate resource profiles.

For item types F, 3, 4, and 9, the values you enter in the **MATERIAL and OUTSIDE OPERATIONS (Current and Standard This Level)** fields are used by PDM product costing. If the item type is 0, 1, or 2, the outside operation costs (routing operation with TBC=C) or the values you enter are used by PDM product costing. If the item type is 0, 1, or 2, and the cost technique code is R, any values you enter are recalculated and overlaid during the next full costing run.

MATERIAL—CURRENT THIS LEVEL (CMAT). Type in the cost per unit for material based on current costs.

MATERIAL—STANDARD THIS LEVEL (SMAT). Type in the cost per unit for material based on current costs.

OUTSIDE OPERATIONS—CURRENT THIS LEVEL (COOT). Type in the cost per unit for outside operations based on standard costs.

OUTSIDE OPERATIONS—STANDARD THIS LEVEL (SOOT). Type in the cost per unit for outside operations based on standard costs.

PURCHASE OVERHEAD TBL CODE—CURRENT (CPTAB). Type in a code from the Purchase Overhead Table to indicate the percent to be applied to the current purchase cost in calculating the current purchase overhead cost this-level (CPOTL) for this item. This field is used only when the item type code equals 3, 4, or 9.

PURCHASE OVERHEAD— CURRENT THIS LEVEL (CPOT). This field is informational only. It shows the overhead cost per unit for purchased parts or raw material based on current costs. The value shown is calculated by PDM product costing for item types 3, 4, or 9.

Contents	Index	Exit
--------------------------	-----------------------	----------------------

PURCHASE OVERHEAD TBL CODE—STANDARD (SPTAB). Type in a code from the Purchase Overhead Table to indicate the percent to be applied to the standard purchase cost in calculating the standard purchase overhead cost this-level (SPOTL) for this item. This field is used only when the item type code equals 3, 4, or 9.

PURCHASE OVERHEAD— STANDARD THIS LEVEL (SPOT). This field is informational only. It shows the overhead cost per unit for purchased parts or raw material based on standard costs. The value shown is calculated by PDM product costing for item types 3, 4, or 9.

SETUP LABOR—CURRENT THIS LEVEL (CSLT). If the Cost Technique Code is blank, type in the direct cost per unit that is made up of run labor using current costs. If the Cost Technique is T or R, leave this field blank.

SETUP LABOR—STANDARD THIS LEVEL (SSLT). If the Cost Technique Code is blank, type in the direct cost per unit that is made up of run labor using current costs. If the Cost Technique is T or R, leave this field blank.

RUN LABOR TBL CODE—CURRENT (CRLC). If the Cost Technique Code is T, type in a code from the labor rate portion of the Labor/Overhead Table to indicate the rate to be applied to the **RUN LABOR (LABHR)** field in calculating the current run labor cost this-level (CLCTL) for this item. If the Cost Technique Code is blank or R, leave this field blank.

RUN LABOR—CURRENT THIS LEVEL (CRLT). If the Cost Technique Code is blank, type in the direct cost per unit that is made up of run labor using current costs. If the Cost Technique Code is T or R, leave this field blank.

RUN LABOR TBL CODE—STANDARD (SRLC). If the Cost Technique Code is T, type in a code from the labor rate portion of the Labor/Overhead Table to indicate the rate to be applied to the **RUN LABOR (LABHR)** field in calculating the standard unit labor cost this-level (SLCTL) for this item. If the Cost Technique Code is blank or R, leave this field blank.

RUN LABOR—STANDARD THIS LEVEL (SRLT). If the Cost Technique Code is blank, type in the direct cost per unit that is made up of run labor using standard costs. If the Cost Technique Code is T or R, leave this field blank.

SETUP MACHINE—CURRENT THIS LEVEL (CSMT). If the Cost Technique Code is blank, type in the direct cost per unit for setup machine hours using current costs. If the Cost Technique Code is T or R, leave this field blank.

SETUP MACHINE—STANDARD THIS LEVEL (SSMT). If the Cost Technique Code is blank, type in the direct cost per unit for setup machine hours using standard costs. If the Cost Technique Code is T or R, leave this field blank.

RUN MACHINE—CURRENT THIS LEVEL (CRMT). If the Cost Technique Code is blank, type in the direct cost per unit for run machine hours using current costs. If the Cost Technique Code is T or R, leave this field blank.

RUN MACHINE—STANDARD THIS LEVEL (SRMT). If the Cost Technique Code is blank, type in the direct cost per unit for run machine hours using standard costs. If the Cost Technique Code is T or R, leave this field blank.

MFG OVERHEAD TBL CODE—CURRENT (COHC). If the Cost Technique Code is T, type in a code from the overhead portion of the Labor/Overhead Table to indicate

[Contents](#)[Index](#)[Exit](#)

the rate or percent to be applied to the **LABOR HOURS (LABHR)** field or to the current labor cost in calculating the standard unit labor overhead cost this-level (SOCTL) for this item. If the Cost Technique Code is blank or R, leave this field blank.

MFG OVERHEAD —CURRENT THIS LEVEL (COHT). If the Cost Technique Code is blank, type the direct/indirect cost per unit.

MFG OVERHEAD TBL CODE—STANDARD (SOHC). If the Cost Technique Code is T, type in a code from the overhead portion of the Labor/Overhead Table to indicate the rate or percent to be applied to the **LABOR HOURS (LABHR)** field or to the standard labor cost in calculating the standard unit labor overhead cost this-level (SOCTL) for this item. If the Cost Technique Code is blank or R, leave this field blank.

MFG OVERHEAD —STANDARD THIS LEVEL (SOHT). If the Cost Technique Code is blank, type the direct/indirect cost per unit.

The following fields may have different titles, depending on what was chosen in the PDM Control file to identify a user-defined cost element.

OTHER COST 1-4—CURRENT THIS LEVEL. If the Cost Technique Code is blank, type in the current cost for the user-defined cost element.

OTHER COST 1-4—STANDARD THIS LEVEL. If the Cost Technique Code is blank, type in the standard cost for the user-defined cost element.

DATE LAST MAINTAINED (MDATE). This field shows the date this Item Master record was last maintained. This field appears on Change, Delete and Set Defaults displays.

AMVT05—Item Master File—Purchasing Information (Add/Change/Delete/Set Defaults)

Use this display to add, change, or delete purchasing information for the item number or to set defaults for purchasing information for the item for this file maintenance session.

This display appears only when C-records are in the Item Master file and you select action A (add), C (change), D (delete), or S (set defaults) and option 5, Purchasing Information (C-Record) on display AMVT01, or when you press **Enter** or select F02 (Next Display) on display AMVT04.

```

DATE **/**/**          ITEM MASTER FILE          ADD      AMVT05  **
                        -PURCHASING INFORMATION-          @
ITEM *****
DESCRIPTION *****
aaaaaaaaaaaaaaaaaaaaaaaaaaaaaaaaaaaaaaaaA40
aaaaaaaaaaaaaaaaaaaaaaaaaaaaaaaaaaaaaaaaA40

BUYER          aaaA5    ACCT aaaaaaaaaaaaA15    PUR PRICE  nnnnnnnnnn.nnnn

RECEIPT REQUIRED      n    -TOLERANCE PERCENTS-    -WEIGHTED PERCENTS-
ALLOW DAYS EARLY    nnn    RECEIVING + %  nnn    LEAD TIME %      nnn
SHIP VIA             aA3    RECEIVING - %  nnn    DELIVERY %       nnn
ALPHA FACTOR         .nnn    QUALITY %      nnn
PURCH COMMODITY      aaaA5    PRICE %        nnn
PRE-APPROVED         A      EARLY DELIVERY % nnn
                                LATE DELIVERY %  nnn
                                OVERSHIP %       nnn
                                UNDERSHIP %      nnn

DATE LAST MAINTAINED  **/**/**          LAST MAINTAINED BY *****

                                F03 PREV DISPLAY
                                F15 NOTE TASKS
                                F18 REFRESH
                                F19 RETURN TO SELECT

```

What to do

To update the Item Master file with the information you added, changed, or deleted, press **Enter**. Go back to the Item Master Maintenance (Select) display (AMVT01).

Note: The Item Master file is updated with information maintained on any of the following displays: AMVT02, AMVT03, AMVT04, or AMVT05.

Function keys

F03 PREV DISPLAY causes display AMVT04 to appear.

F15 NOTE TASKS allows you to access the Note Tasks function. If a note exists, an icon, @, appears in the upper right corner of the display. For more information on this function, see the *Planning and Installing MAPICS XA* book.

F18 REFRESH erases any information you typed in and shows you AMVT05 as it first appeared.

F19 RETURN TO SELECT ignores the information you just entered and returns to display AMVT01.

Fields

[?] appears next to a field name in the following field definitions to identify a field from which you can begin a master file search.

ITEM (ITNBR). The number of the item you entered on display AMVT01.

Inventory Description. This field appears above the **ITEM TYPE CODE** field and has no heading. This field shows one of four different categories depending on the inventory code:

INVENTORY	If the item is an inventory item
MISCELLANEOUS	If the item is a miscellaneous item
SERVICE	If the item is a service item
UNSTOCKED	If the item is not stocked (no Item Balance file record). Applies to kit only.

DESCRIPTION (ITDSC). The description of the item you entered on display AMVT02. This description appears on inquiries and reports.

ITEM TYPE CODE (ITYP). Code that best describes the type of item:

0	Phantom
1	Assembly or subassembly
2	Fabricated item
3	Raw material
4	Purchased item
9	User option (Special)
F	Feature
K	Kit

Extended Description (PITD1, PITD2). These fields appear beneath the **DESCRIPTION** field. Use these fields to type in an extended description of the item you are adding. (These fields are used by Purchasing, if installed and interfacing.)

BUYER (BUYNO) [?]. Type in the code that identifies the buyer of the item. This buyer number is used to create purchase orders if no buyer is specified in the primary quotation during MRP Auto-Release.

ACCT (Account Number) (ACCTN) [?]. Required. Type in the number of the account to be charged when this item is invoiced. This field does not appear for IM. The system checks for account numbers in Company 1 only. If you have multiple companies, the system issues a warning message. To bypass the warning message, press **Enter**.

Note: When you search for account numbers, only those valid for company 1 are listed. Valid account numbers for other companies are not listed.

If IFM is installed, the **ACCT** (Account) field is replaced with the **Nature** field.

NATURE (CHGN) [?]. Type in an account or revenue/expense code. Type a ? in this field and press **Enter**. A select panel appears for your selection of a valid nature.

PUR PRICE (PURPR). If this is a purchased item, type the purchase price in this field.

RECEIPT REQUIRED (RECRQ). This field shows whether an inventory transaction (receipt) must be recorded before invoicing can be processed. Type one of these values:

- 1 Receipt required
- 0 Receipt not required.

ALLOW DAYS EARLY (ALLDE). Type in the number of days that are acceptable for early delivery.

SHIP VIA (VIACD) [?]. Type the code that identifies the means by which this item is normally shipped.

ALPHA FACTOR (ALPHA). Type a value to be used in calculating the vendor and buyer weighted performance percentages. If you do not type anything in this field, the value defaults to the value set during application tailoring.

PURCH COMMODITY [?]. A code defined by your company that identifies the commodity classification for this item. If entered, this must be a valid code in the Purchase Item Commodity Class code file. Type ? in this field and press **Enter**. A select panel appears for your selection of a valid code or to add a new code.

PRE-APPROVED (PRAP). A code to indicate if this is an item that can be ordered from the vendor without waiting for approval. This code is used only if you are using the approval process for purchase orders. Security settings in CAS determine if you can maintain this field.

- 0 No. This is a normal item, subject to approval. This is the default.
- 1 Yes. This is a pre-approved item. Either no approval or only memo approval is required for this item, depending on the code in the Memo Approve Pre-approved Items field in the Purchasing Control file.

TOLERANCE PERCENTS.

RECEIVING + % (Receiving Plus Percent) (TOLPO): Type in the user-defined percentage of receipts that can be overdelivered.

RECEIVING – % (Receiving Minus Percent) (TOLPC): Type in the user-defined percentage of receipts that can be underdelivered.

Tolerances are used only in calculating vendor performance in the category of delivery.

WEIGHTED PERCENTS. These user-defined percentages define the relative importance placed on each of the following aspects of vendor performance.

Note: The defaults selected during application tailoring for Purchasing are used unless you type in new values. However, the Purchasing defaults do not appear on the display.

LEAD TIME % (WLTLM): Type the percentage to be placed on variances between quoted and actual vendor lead times. Because you can place different emphasis on early or late delivery, you can also use secondary delivery factor percentages.

DELIVERY % (WTDEL): Type percentage to be placed on variances between ordered and delivered quantities. Because you can place different emphasis on over or under shipment, you can use secondary delivery factor percentages.

[Contents](#)[Index](#)[Exit](#)

QUALITY % (WTQUA): Type the percentage to be placed on reject quantities.

PRICE % (WTPRC): Type the percentage to be placed on variances between quoted and actual vendor prices.

Use the four following secondary delivery factor percents to place additional emphasis on specific delivery conditions:

EARLY DELIVERY % (WTEDL): Type the percentage to be placed on early delivery.

LATE DELIVERY % (WTLDL): Type the percentage to be placed on late delivery.

OVERSHIP % (WTVOS): Type the percentage to be placed on overshipment.

UNDERSHIP % (WTUVS): Type the percentage to be placed on undershipment.

DATE LAST MAINTAINED (MDATE). This field shows the date this Item Master record was last maintained. This field appears on Change, Delete and Set Defaults displays.

LAST MAINTAINED BY (XBAHVN). The user ID of the person who last maintained the Item Master record for this item. This field appears on Change, Delete and Set Defaults displays.

AMVT06—Item Master File Maintenance (Status)

Use this display to review statistics both for the current session and for the Item Master file.

This display appears when you select **F23 (Status)** on display AMVT01.

```
DATE **/**/**          ITEM MASTER FILE MAINTENANCE      STATUS      AMVT06  **

                          SESSION STATISTICS
                          ADDS ENTERED          ****,***
                          CHANGES ENTERED       ****,***
                          DELETES ENTERED        ****,***
                          TOTAL TRANSACTIONS     ****,***
                          MAINTENANCE NUMBER     ***

                                          F24 END OF JOB
```

What to do

To continue this file maintenance session, press **Enter**. Go back to the Item Master Maintenance (Select) display (AMVT01) to select another record to maintain.

Function keys

F24 END OF JOB causes the menu to appear again.

Fields

SESSION STATISTICS. The following fields show the individual transaction totals and the total transactions for the current session:

ADDS ENTERED. The number of items added.

CHANGES ENTERED. The number of items changed.

DELETES ENTERED. The number of items deleted.

TOTAL TRANSACTIONS. The total number of records added, changed, and deleted.

MAINTENANCE NUMBER. The total number of times the Item Master file has been maintained.

[Contents](#)[Index](#)[Exit](#)

Option 2. Item Balance (AMIM70)

Use this option when you need to add a new record to the Item Balance file, change, delete, suspend, reactivate records already in the file, or review status of just-completed changes to the file. Maintenance to this file can be done at two security levels. The highest level of security (09) is required if maintenance is done for on hand quantities, or period-to-date and year-to-date figures; these fields are normally updated by the application. The remaining fields are maintained through regular security.

No item in the file can be deleted if there are open orders or allocations for that item. Open orders can be processed for suspended items, but new orders for the item are not accepted.

New orders are accepted for an item with suspended components. When you suspend an item using Item Balance File Maintenance, you should also change the effective dates for that item in the PDM Product Structure file. Refer to the *Product Data Management User's Guide* for more information about Product Structure file maintenance.

Suspended items will print on reports, but not on the Reorder Report. After all open orders are closed, the record can be deleted.

Maintenance to an item in a controlled warehouse is not allowed if an MRP Planning run is in process. AMI7A7 only appears if REP is installed.

What information you need: Completed forms IM-16A, 16B, 16C, and 16D.

What reports are printed: Item Balance File Maintenance Edit List (AMI7A).

What forms you need: IM-16A, 16B, 16C, and 16D.

The basic steps to maintain files follow each display.

AMI7A1—Item Balance File Maintenance (Select)

Use this display to select the type of Item Balance and/or Item Plan file maintenance you want to perform.

This display appears when you:

- Select option 2 on the File Maintenance menu (AMIM70)
- Select **F19** on displays AMI7A2, AMI7A3, AMI7A4, or AMI7A5
- Press **Enter** on AMI7A2, AMI7A3, AMI7A6, or AMI7A7
- Press **Enter** on AMI7A8 when REP is not installed.

```
DATE **/**/**          ITEM BALANCE FILE MAINTENANCE          SELECT          AMI7A1 **
ITEM NUMBER aaaaaaaaaaaaA15  WAREHOUSE aA3

                          A-ADD
                          C-CHANGE
                          D-DELETE
                          S-SUSPEND
                          R-REACTIVATE

                          ACTION A

                          F07 PLANNING INFO
                          F24 DISPLAY STATUS
```

What to do

To perform file maintenance on the Item Balance file, type in the item number, warehouse (if requested), and one of the action codes listed on the display. Press **Enter**.

- If you typed A or C in the **ACTION** field and the password used for this session does not authorize changes to quantities, display AMI7A2 appears. Otherwise, display AMI7A5 appears.
- If you typed D, S, or R in the **ACTION** field, display AMI7A3 appears.

Function keys

F07 PLANNING INFO causes the Item Balance File Maintenance — Planning Information display (AMI7A8) to appear.

F24 DISPLAY STATUS causes the Item Balance File Maintenance (Status) display (AMI7A6) to appear.

Contents	Index	Exit
--------------------------	-----------------------	----------------------

Fields

[\[?\]](#) appears next to a field name in the following field definitions to identify a field from which you can begin a master file search.

ITEM NUMBER (ITNBR) [?]. Required. Type in the number of the item to be maintained.

Note: If ISL/MISL is installed, a production family item can exist in only one warehouse. An error message is issued if you try to create a record for a production family item that already exists in another warehouse.

WAREHOUSE (HOUSE). Required if multiple warehouses are defined in the Warehouse Master file. Type in the code of the warehouse associated with the item. If you have only one warehouse, the warehouse defined in the Warehouse Master file appears in this field and cannot be changed.

ACTION. Required. Type in one of the following codes to identify the kind of maintenance to be performed:

- A** Add (new item/warehouse)
- C** Change (any maintainable field)
- D** Delete (any item/warehouse without balances)
- R** Reactivate (any suspended item/warehouse).
- S** Suspend (any item/warehouse; existing orders are processed but no new orders are accepted)

The action code needs to be typed in only once during this Item Balance file maintenance session. Type it in only if the type of maintenance is to be changed.

AMI7A2—Item Balance File Maintenance (Add or Change)

Use this display to add or change detail information about the item in the Item Balance file.

This display appears when you type A or C in the **ACTION** field on display AMI7A1 or use **F05** on display AMI7A7 or AMI7A8 only if your password for this work session does not authorize you to change quantities and standard cost.

```

DATE **/**/**          ITEM BALANCE FILE MAINTENANCE          ADD          AMI7A2  **
ITEM NUMBER ***** WAREHOUSE ***
DESCRIPTION *****
ITEM CLASS aaA4  VENDOR          aaaaA6  PLANNER          nnnnn
STOCK LOC  aaaaaA7  FLR STOCK          A          STD COST  *****
--- LEAD TIME ---  BACKFLUSH          A          --- PERIOD-TO-DATE ---
CODE          A  STOCK CONFIGURATION A  USAGE COST nnnnnnnnnnnn.nn
MFG          nnn.n  ORDER POINT          nnnnnn.nnn  SALES COST nnnnnnnnnnnn.nn
VAR MFG      nnn.n  SAFETY STOCK          nnnnnn.nnn  SALES AMT  nnnnnnnnnnnn.nn
ADJ MFG      nnn.n  FIXED ORDER QTY      nnnnnn.nnn
AVG MFG      nn.n  PURCHASE U/M          A2          --- YEAR-TO-DATE ---

CMLT MFG     nnn.n  U/M CONV             nnnnn.nnnnn  USAGE COST nnnnnnnnnnnn.nn
REV PUR      nnn.n  ITEM ACCOUNTING CLASS aA3  SALES COST nnnnnnnnnnnn.nn
VEN PUR      nnn.n  SALES AMT            nnnnnnnnnnnn.nn
SAF PUR      nnn.n
PUR          nnn.n
ADJ PUR      nn      --- CYCLE COUNT ---  AVG SALES  nnnnnnnnnnnn.nn
AVG PUR      nnn.n  CODE                 n          DATE LAST SALE  nnnnnn
CMLT MTL     nnn.n  DATE NEXT COUNT      nnnnnn    DATE LAST USE   nnnnnn
TRANS COMPARE nnnnnn    DATE LAST MAINTAINED nnnnnn

F18 REFRESH
F19 RETURN TO SELECT

```

What to do

To add or change the Item Balance record, type in the requested information and press **Enter**. Go to display AMI7A1.

Function keys

F18 REFRESH causes the display to appear as it did when you first selected it.

F19 RETURN TO SELECT causes the Select display AMI7A1 to appear again.

Fields

[?] appears next to a field name in the following field definitions to identify a field from which you can begin a master file search.

ITEM NUMBER (ITNBR). The number of the item to maintain.

WAREHOUSE (HOUSE). The code that identifies the warehouse where the item is located.

DESCRIPTION (ITDSC). The description of the item to maintain.

Contents	Index	Exit
-----------------	--------------	-------------

ACTIVITY CODE (ACREC). The present status of the record shown:

A Active
D Deleted
S Suspended

The remaining fields on this display are described in groups as shown on the display for purposes of continuity, rather than in the normal order dictated by cursor movement.

ITEM CLASS (ITCLS). Type in the user-defined code identifying the class or group to which this item belongs. For example, ST might indicate this item is classified with that group of items made of steel. If you are adding a record to the Item Balance file, the item class from the Item Master record appears. Accept the default or type a new value. If you blank out this field, no item class is assigned.

Uses of item class include the following:

- Sales Analysis can be performed using item class.
- Item Master file maintenance allows percentage change of purchase content (cost) for all items having a specific item class.
- PDM cost simulation can be run based on percentage change of purchase content (cost) for all items having a specific item class.
- Several IM reports allow limits to be set using item class and can also be sequenced using item class.

VENDOR (VNDNR) [?]. Type in the number of the primary vendor supplying this item. If you are adding a record to the Item Balance file, the vendor number from the Item Master record appears. Accept the default, or type in a new value. If you blank out this field, no vendor number is assigned. If Purchasing is installed and interfacing, refer to the *Purchasing User's Guide* for more information about this field.

PLANNER (PLANN). The user-assigned code that identifies the person responsible for planning the replenishment strategy for this item.

STOCK LOC (Warehouse Stock Location) (WHSLOC) [?]. Type in the code that identifies the location of this item in the warehouse. When this display first appears, it defaults to the value from the Item Master record. Be aware that if you subsequently change this field to a blank, it will not default to the value from the Item Master record.

Picking lists can be sequenced by this field to aid in picking items for sales and manufacturing orders. For controlled warehouses, this serves as a default supply location.

FLR STOCK (Floor Stock Code) (FLSTK). A code that indicates if the floor stock is controlled. Select one of the following codes:

blank Not floor stock
C Controlled floor stock
U Uncontrolled floor stock

Uncontrolled floor stock items are normally inexpensive items such as washers, rivets, or wire that are issued to an assembly area in bulk quantities to be used as needed. The bulk issue (Miscellaneous Issue) transaction is not reported against any specific manufacturing order. When a manufacturing order is released that requires uncontrolled floor stock items, the application applies all issues and associated

material costs for those items to the order at that time. Separate issue transactions used to record the usage of these items are not necessary.

Controlled floor stock items are normally more expensive components stored in assembly areas in bulk quantities to be used as needed. The application applies usage of these components to manufacturing orders in calculated quantities as Production Receipt (RM) or Manufacturing Order Scrap (SM) transactions are processed for the end item on the manufacturing order. When a Production Receipt transaction is entered for a manufacturing order that has controlled floor stock components, Planned Manufacturing Issues for those components are generated. The application calculates the quantity by multiplying the receipt quantity times the quantity per assembly of the controlled floor stock item. This technique is referred to as backflushing.

BACKFLUSH (BFFL). The code that identifies whether component backflushing for controlled floor stock items is done using the component quantity per adjusted for yield or the standard component quantity per.

- 0** Use the value of the backflush code for the warehouse.
- 1** Use adjusted quantity per to backflush (default).
- 2** Use standard quantity per to backflush.

STD COST (STDUC). If this field is not 0, it shows the standard cost (standard unit cost) used in inventory costing. This standard cost overrides the unit cost default (UCDEF) from the Item Master record.

You cannot change the **STANDARD COST** field from this display. You must use a Standard Cost replace (CS) transaction to change the standard cost for an item.

LEAD TIME. Required when you add information.

CODE (LTCOD): Required. A code used to indicate which lead time to use when MRP plans replenishment orders. Use M if this item has components and you want requirements generated for them by MRP. Select one of the following codes:

- M** Manufacturing lead time
- P** Purchasing lead time.

The lead times for a standard lot of an item expressed in working days, are as follows:

MFG (Standard Manufacturing) (LTMAN): The total lead time to manufacture one standard lot size of the item based on availability of components and the use of a single level bill of material. Standard manufacturing lead time includes fixed time factors (such as setup, move, and queue times) and quantity-dependent factors (such as run times to produce standard lots).

VAR MFG (Variable Manufacturing) (LTVAM): The portion of total manufacturing lead time dependent on the quantity produced. It is the run time for all operations that do not have a fixed length of time per lot. This value is used when computing quantity-based lead times in MRP. If a value is not typed in this field, MRP assumes that the quantity-based lead time calculations do not apply and that, regardless of the planned order quantity, the lead time will be the sum of the standard manufacturing lead time and the manufacturing lead time adjustment.

Contents	Index	Exit
--------------------------	-----------------------	----------------------

ADJ MFG (Adjustment Manufacturing) (LTADM): A portion of the total lead time required for quantity-independent administrative activities such as review time or requisition processing time prior to order release. This value is added to the standard manufacturing lead time to arrive at the total manufacturing lead time.

AVG MFG (Average Manufacturing) (LTMAV): The weighted average number of days between the order release and the order completed receipt to stock. This field is updated by the application but can be changed using file maintenance.

CMLT MFG (Cumulative Manufacturing) (CMFLT): The total number of days to produce an item, assuming all purchased items at every level of the bill of material are in stock. This field is manually maintained.

REV PUR (Review Purchasing) (LTREV): The number of days between creation of the requisition and release of the order to the vendor.

VEN PUR (Vendor Purchasing) (LTVEN): The vendor-quoted number of days between the vendor's receipt of your order and delivery to your dock.

SAF PUR (Safety Purchasing) (LTSAF): The number of days allocated for unexpected delays.

Note: **REV PUR**, **VEN PUR**, and **SAF PUR** appear only if Purchasing is installed and interfacing.

PUR (Standard Purchased) (LTPUR): The number of days between creation of a requisition and receipt of the item at the dock. It is the sum of **REV PUR**, **VEN PUR**, and **SAF PUR**.

ADJ PUR (Adjustment Purchased) (LTADP): The number of days between receipt of the item at the dock and receipt to stock.

AVG PUR (Average Purchased) (LTPAV): The weighted average number of days between purchase order release and receipt of the item to stock. The average purchase lead time is calculated by the application but can be changed using file maintenance.

CMLT MTL (Cumulative Material Lead Time) (CMTLT): The amount of time necessary to produce a standard lot size of the item when starting with no materials on hand. It is the sum of the longest lead time for a purchased component, on the lowest level of the product structure, and the longest manufacturing or purchase lead time in the next higher assembly. Cumulative material lead time is the maximum amount of time required to purchase the materials and manufacture an item.

The application does not calculate this field; it must be manually maintained. The longest manufacturing or purchase lead time from each successive level of the assembly is added to the current sum (or is replaced by the longest lead time from this level, if it is longer than the current sum), until the cumulative material lead time is calculated for the specified item.

STOCK CONFIGURATION (STCFS). This field appears if this is a configured item and the warehouse is controlled. A 1 in this field indicates the configuration will be identified in the **Batch/Lot** field when the item is received. A 0 in this field indicates

the configuration will not be identified in the **Batch/Lot** field. Type in **1** to be able to identify how many of which configuration you have in stock.

ORDER POINT (ORDPT). Leave this field blank for the system to calculate the order point. If Forecasting (FCST) is installed and interfacing, you can also allow it to calculate this quantity. Otherwise, type in the quantity of the item, below which an exception condition occurs, to flag the need to reorder this item. Quantity entered must be in terms of the stocking unit of measure.

SAFETY STOCK (SAFTY). Type in the quantity of the item to be carried in excess of expected demand to meet unexpected increases in demand or late delivery. Quantity entered must be in terms of the stocking unit of measure. If Forecasting (FCST) is installed and interfacing, you can also allow it to calculate this quantity.

FIXED ORDER QTY (FXORQ). Required if this item has an order policy code of C, D, or H. When the order policy code in the Item Balance file (Planning Information) is B, you can leave this field blank if you want the system to dynamically calculate order quantity. Otherwise, when the order policy code is B or D, type in the quantity of the item that is to be reordered when the quantity available falls below the order point.

When the order policy code is C, type in a quantity representing the level that the quantity available should be brought up to whenever the item is reordered.

When the order policy code is H, type in the minimum reorder quantity for which an order can be released (defined by your company).

Quantity entered must be in terms of the stocking unit of measure.

PURCHASE U/M (Purchase Unit of Measure) (PURUM). Type in the purchase unit of measure for the item if it is different from the stocking unit of measure. For example, wire can be purchased by the coil but issued by the meter. This field is used with the unit of measure conversion factor when printing the Reorder Report and the Purchase Order Status Report and can be used in purchase receipt transactions.

U/M CONV (Unit of Measure Conversion) (UMCNV). Type in the factor used in converting one purchase unit of measure of the item to stocking units of the item when the two are different. For example, if wire is issued by the meter and purchased by the coil with each coil containing 250 meters, then a conversion factor of 250.00 would be entered. If bolts are issued individually but purchased by the box with each box containing 75 bolts, then enter 75.00 for the unit of measure conversion factor. The default value is 1.00 if the purchasing unit of measure is left blank. Otherwise, it is a required field.

ITEM ACCOUNTING CLASS (ITAC). Class, defined by your company, to group or classify items for accounting purposes.

CYCLE COUNT.

CODE (Cycle Count Code) (CCODE): A code used to indicate if the item is to be cycle counted, and, if so, how often. Select one of the following codes:

- | | |
|----------|---|
| 0 | No cycle count performed on this item |
| 1 | Cycle count performed monthly |
| 2 | Cycle count performed quarterly |
| 3 | Cycle count performed semi-annually |
| 4 | Cycle count performed on the Date of Next Count (NXCDT) |

Contents	Index	Exit
--------------------------	-----------------------	----------------------

DATE NEXT COUNT (NXCDT): The date used with cycle count code 4 to select items for cycle counting.

The default is 999999. The due date of replenishment orders is automatically placed into this field if it contains 999999, so that the item can be selected for cycle counting just prior to a receipt (when the quantity on hand is at its lowest point).

If the first replenishment order is a blanket purchase order and you want to do the cycle count while the on hand balance is low, type the due date of the first release in this field.

TRANS COMPARE (Transaction Count Compare) (CCOMP): If this item is to be cycle counted, type in the number of transactions after which the item should be flagged for cycle counting. Type **1** in this field for items in your cycle count control group.

If this field is not 0, it can be used with the cycle count code. For example, if the cycle count code is 2 (quarterly) and you type 40 in this field, the item is selected for cycle count at least every three months. However, the item may be selected earlier if 40 transactions are processed for this item before three months have passed.

When you request a Cycle Count List using display AMI5A4 or AMI5A5 (option 2 on menu AMIM50), items with a count of transactions that fall within a user-assigned percentage of this transaction count compare value can be cycle counted.

DATE LAST SALE (DOFLS). Type in the date of last sale for this item. This field is updated by the application when sales transactions are processed.

DATE LAST USE (DOFLU). Type in the last date on which an item was transferred from stock for any reason. This field is updated by every issue, warehouse, and adjustment transaction.

DATE LAST MAINTAINED (MDATE). The date this record was last maintained. It cannot be changed. It appears only when the action code is C on display AMI7A1.

PERIOD-TO-DATE. Depending on whether a 13-period or 12-month accounting year was selected during application tailoring, this field is shown as PERIOD or MONTH, respectively.

USAGE COST (CSTMO): The period or month-to-date usage cost for this item. This includes the cost of items sold, removed from stock but not sold, and issued and adjusted from stock.

SALES COST (CAMMO): The period or month-to-date sales cost for the item.

SALES AMT (AMSMO): The period or month-to-date amount of sales for the item.

Note: The preceding three fields are updated by the system when appropriate transactions are processed.

YEAR-TO-DATE.

Contents	Index	Exit
--------------------------	-----------------------	----------------------

USAGE COST (CSTYR): The year-to-date usage cost for this item. This includes both the cost of items sold and the cost of items removed from stock but not sold.

Note: Usage cost fields are computed at the time the transactions are processed using the cost (average, standard, or last) selected in the IM install/tailor questionnaire.

SALES COST (CAMYR): The year-to-date sales cost for the item.

SALES AMT (AMSYR): The year-to-date amount of sales for the item.

Note: The preceding three fields are updated by the system when appropriate transactions are processed.

AVG SALES (AVSAL): Type in the average value of the quantity sold per month. This field is recalculated when you run period-end closing stock status with file update. If no value is entered, the average is set equal to the first non-zero period-to-date sales.

AMI7A3—Item Balance File Maintenance (Delete, Suspend, or Reactivate)

Use this display to delete, suspend, or reactivate the selected Item Balance record.

If REP is installed and interfacing, you cannot delete or suspend the Item Balance record if any planned or released schedules exist for this item/warehouse combination in the Manufacturing Order Master file.

This display appears when you enter D, S, or R in **ACTION** on display AMI7A1.

```

DATE **/**/**          ITEM BALANCE FILE MAINTENANCE          DELETE          AMI7A3  **
ITEM NUMBER *****  WAREHOUSE ***
DESCRIPTION *****
ITEM CLASS ****  VENDOR          *****  PLANNER          ****
STOCK LOC *****  FLR STOCK          *          STD COST *****
--- LEAD TIME ---  BACKFLUSH          *          --- PERIOD-TO-DATE ---
CODE *          STOCK CONFIGURATION *          USAGE COST *****
MFG *** *          ORDER POINT ***** ***  SALES COST *****
VAR MFG *** *          SAFETY STOCK ***** ***  SALES AMT *****
ADJ MFG *** *          FIXED ORDER QTY ***** ***
AVG MFG ** *          PURCHASE U/M          **          --- YEAR-TO-DATE ---
CMLT MFG *** *          U/M CONV          ***** *****  USAGE COST *****
REV PUR *** *          ITEM ACCOUNTING CLASS ***  SALES COST *****
VEN PUR *** *          SALES AMT *****
SAF PUR *** *          --- CYCLE COUNT ---          AVG SALES *****
PUR *** *          CODE *          DATE LAST SALE *****
ADJ PUR **          DATE NEXT COUNT *****  DATE LAST USE *****
AVG PUR *** *          TRANS COMPARE *****  DATE LAST MAINTAINED *****
CMLT MTL *** *
F19 RETURN TO SELECT

```

What to do

To confirm that you want to delete, suspend, or reactivate the Item Balance record shown on the display, press **Enter**. Go to display AMI7A1.

Function keys

F19 RETURN TO SELECT causes display AMI7A1 to appear again.

Fields

The fields on this display are informational only and cannot be changed. See “AMI7A2—Item Balance File Maintenance (Add or Change)” for field definitions.

AMI7A4—Item Balance File Maintenance (Add or Change)

Use this display to manually update Item Balance file quantities (for example, on hand, period or month, or year-to-date values) that are updated automatically by the application when processing other transactions.

This display appears when you press **Enter** or select **F08** on the Item Balance File Maintenance (Add or Change) display (AMI7A5).

```

DATE **/**/**          ITEM BALANCE FILE MAINTENANCE          CHANGE    AMI7A4  **
ITEM NUMBER *****  WAREHOUSE ***          ACTIVITY CODE *
DESCRIPTION *****

--- QUANTITIES ---          --- PERIOD-TO-DATE ---          --- YEAR-TO-DATE ---
ON HAND          nnnnnnn.nnn  SOLD          nnnnnnnnn.nnn  SOLD          nnnnnnnnnnn.nnn
ON ORDER PROD    nnnnnnn.nnn  ISSUES        nnnnnnnnnnn.nnn  ISSUES        nnnnnnnnnnn.nnn
ON ORDER PUR     nnnnnnn.nnn  RECEIPTS      nnnnnnnnnnn.nnn  USAGE         nnnnnnnnnnn.nnn
ALLOCATED        nnnnnnn.nnn  ADJUSTS       nnnnnnnnnnn.nnn
PICK LIST REQ    nnnnnnn.nnn  USAGE         nnnnnnnnnnn.nnn
BEGIN INV        nnnnnnn.nnn

                                DATE LAST ACTIVITY ISSUED          nnnnnn
                                DATE LAST AFFECTING QTY ON HAND    nnnnnn

                                AVERAGE PERIOD END BALANCE          nnnnnnnnnnnnn.nn
                                ESTIMATED ANNUAL USAGE              nnnnnnnnnnn.nnn

                                F05 RETURN TO DETAIL
                                F18 REFRESH
                                F19 RETURN TO SELECT

```

What to do

To manually update the quantities, type in the requested information and press **Enter**. Go to display AMI7A8.

Quantities are updated automatically by the application when processing transactions. You cannot change on hand quantity if you chose to use transaction history during application tailoring.

Function keys

F05 RETURN TO DETAIL causes display AMI7A5 to appear again.

F18 REFRESH causes the display to appear as it did when you first selected it.

F19 RETURN TO SELECT causes display AMI7A1 to appear again, and any data just typed in to be ignored. In addition, any data typed in on display AMI7A5 is not used to update the Item Balance file.

Fields

ITEM NUMBER (ITNBR). The number of the item to maintain.

Contents	Index	Exit
-----------------	--------------	-------------

WAREHOUSE (HOUSE). A code used to identify the warehouse in which the above item is located.

ACTIVITY CODE (ACREC). The present status of the record shown:

A Active
D Deleted
S Suspended

DESCRIPTION (ITDSC). The description of the item to maintain.

The remaining fields on this display are described in their order of appearance on the display, instead of by their order of cursor movement.

QUANTITIES.

ON HAND (MOHTQ). Type in the quantity of the item presently in stock. This field cannot be changed if the transaction history option was selected during application tailoring. If transaction history is supported, you must use an inventory transaction to change the on hand quantity for this item.

If you enter a quantity on hand when adding a new item and you are using controlled warehouses, you must also add this quantity on hand to the Location Quantity File (SLQNTY) using Location Detail File Maintenance in order to keep your files in synchronization.

ON ORDER PROD (On Order Production) (MPRPQ). Type in the total quantity of the item that is currently on order but not yet received to stock.

ON ORDER PUR (On Order Purchase) (MPUPQ). Type in the total quantity of the item currently on order through purchasing and still open on purchase orders for this warehouse.

ALLOCATED (MALQT). Type in the total quantity of this item allocated (reserved) for manufacturing requirements.

PICK LIST REQ (Pick List Requirements) (PLREQ). Type in the total quantity of this item reserved for customer order requirements. This field is updated automatically if COM is installed and interfacing with IM.

BEGIN INV (Beginning Inventory) (BEGIN). Type in the quantity of the item that was on hand at the beginning of the period or month.

PERIOD-TO-DATE. Depending on whether a 13-period or 12-month accounting year was selected during application tailoring, this field is shown as PERIOD or MONTH, respectively.

SOLD (QTSMO). Type in the quantity of the item sold this period or month-to-date.

ISSUES (ISSMO). Type in the quantity of the item issued this period or month-to-date. This field is reduced by components returned to stock.

RECEIPTS (RECMO). Type in the quantity of the item received this period or month-to-date.

Contents	Index	Exit
--------------------------	-----------------------	----------------------

ADJUSTS (ADJMO). Type in the sum of the adjustments (changes) made to the quantity of the item this period or month-to-date.

USAGE (USEMO). Type in the quantity of the item used this period or month-to-date. This includes both items sold and items removed from stock but not sold.

YEAR-TO-DATE.

SOLD (QTSYR). Type in the quantity of the item sold for this year.

ISSUES (ISSYR): Type in the quantity of the item issued this year. This field is reduced by components returned to stock.

USAGE (USEYR). Type in the quantity of the item used this year. This includes both items sold and items removed from stock but not sold.

DATE LAST ACTIVITY ISSUED (LACDT). Type in the last date that this item was issued. This field is usually updated by every issue transaction.

DATE LAST AFFECTING QTY ON HAND (LDQOH). Type in the last date the quantity on hand for this item was changed. This field is updated by every transaction that changes the quantity on-hand.

AVERAGE PERIOD END BALANCE (AVMEB). Type in the average quantity on hand of the item at period-end closing. The quantity shown is either a period or month-end balance, depending on whether a 13-period or 12-month accounting year was selected during application tailoring. If no value is entered, the average is set equal to the first non-zero on hand period-end balance.

ESTIMATED ANNUAL USAGE (EAANU). Type in the average quantity of the item used during one entire year. This average is recalculated during each period-end file update run. If no value is entered, the average is set equal to the annualized value of the first non-zero period-to-date usage.

AMI7A5—Item Balance File Maintenance (Add or Change)

Use this display to add or change detail information about the item in the Item Balance file.

This display appears when you enter A or C in **ACTION** on display AMI7A1 or press **F05** on display AMI7A8 only if your password for this work session authorizes changes to quantities and standard cost.

```

DATE **/**/**          ITEM BALANCE FILE MAINTENANCE          CHANGE          AMI7A5  **
ITEM NUMBER ***** WAREHOUSE ***
DESCRIPTION *****
ITEM CLASS aaA4  VENDOR          aaaaA6  PLANNER          nnnnn
STOCK LOC  aaaaaA7  FLR STOCK          A        STD COST  *****
--- LEAD TIME ---  BACKFLUSH          A        --- PERIOD-TO-DATE ---
CODE          A  STOCK CONFIGURATION A  USAGE COST nnnnnnnnnnnn.nn
MFG          nnn.n  ORDER POINT        nnnnnn.nnn  SALES COST nnnnnnnnnnnn.nn
VAR MFG      nnn.n  SAFETY STOCK        nnnnnn.nnn  SALES AMT  nnnnnnnnnnnn.nn
ADJ MFG      nnn.n  FIXED ORDER QTY    nnnnnn.nnn
AVG MFG      nn.n  PURCHASE U/M        A2        --- YEAR-TO-DATE ---

CMLT MFG     nnn.n  U/M CONV            nnnnn.nnnnn  USAGE COST nnnnnnnnnnnn.nn
REV PUR      nnn.n  ITEM ACCOUNTING CLASS aA3  SALES COST nnnnnnnnnnnn.nn
VEN PUR      nnn.n  SALES AMT           nnnnnnnnnnnn.nn
SAF PUR      nnn.n  --- CYCLE COUNT ---  AVG SALES  nnnnnnnnnnnn.nn
PUR          nnn.n  CODE                n          DATE LAST SALE  nnnnnn
ADJ PUR      nn

AVG PUR      nnn.n  DATE NEXT COUNT     nnnnnn  DATE LAST USE   nnnnnn
CMLT MTL     nnn.n  TRANS COMPARE        nnnnnn  DATE LAST MAINTAINED *****
                                           F08 REVIEW QUANTITIES
                                           F18 REFRESH
                                           F19 RETURN TO SELECT

```

What to do

To add or change detail information, type in the requested information for this Item Balance record and press **Enter**. Go to display AMI7A4.

Note: Pressing **Enter** on this display does not update the Item Balance file. You must press **Enter** on display AMI7A4 to update the file.

You cannot change the **STANDARD COST** field on this display if the transaction history option was selected during application tailoring. You must use a Standard Cost Replace (CS) transaction to change the standard cost for an item.

Function keys

F08 REVIEW QUANTITIES causes display AMI7A4 to appear so you can review or manually update quantities that were updated automatically by the application when processing transactions.

F18 REFRESH causes the display to appear as it did when you first selected it.

F19 RETURN TO SELECT causes display AMI7A1 to appear again.

Contents	Index	Exit
--------------------------	-----------------------	----------------------

Fields

Refer to "AMI7A2—Item Balance File Maintenance (Add or Change)" for an explanation of the fields on this display.

AMI7A6—Item Balance File Maintenance (Status)

Use this display to review the number of records maintained in the Item Balance file and to end the job.

This display appears when you select **F24** on the Select display AMI7A1.

```
DATE **/**/**      ITEM BALANCE FILE MAINTENANCE      STATUS      AMI7A6  **

SESSION STATUS

RECORDS ADDED      *** ,*** ,***
RECORDS CHANGED   *** ,*** ,***
RECORDS DELETED    *** ,*** ,***
RECORDS SUSPENDED *** ,*** ,***
RECORDS REACTIVATED *** ,*** ,***

ITEM BALANCE FILE

F24 END OF JOB
```

What to do

- To return to the Select display AMI7A1, press **Enter**.
- To end the session, use **F24**. The Item Balance File Maintenance Edit List is scheduled for printing. The File Maintenance menu appears again.

Function keys

F24 END OF JOB causes the File Maintenance menu to appear again.

Fields

All fields on this display are informational only.

SESSION STATUS. The number of records maintained in the Item Balance file during this session.

RECORDS ADDED. The number of records added during this session.

RECORDS CHANGED. The number of records changed during this session.

RECORDS DELETED. The number of records deleted during this session.

Contents	Index	Exit
--------------------------	-----------------------	----------------------

RECORDS SUSPENDED. The number of records suspended during this session.

RECORDS REACTIVATED. The number of records reactivated during this session.

AMI7A7—Item Balance File Maintenance – Repetitive Manufacturing (Add or Change)

Use this display to add or change detail information in the Item Balance file used for repetitive manufacturing processes.

This display appears when you press **Enter** on display AMI7A4 and REP is installed, you are using a controlled warehouse, and the item is neither a purchase nor miscellaneous item.

```

DATE **/**/**          ITEM BALANCE FILE MAINTENANCE          *****          AMI7A7 **
                        REPETITIVE MANUFACTURING

WH ***  ITEM *****

SCHEDULE CONTROL <Y,N>  A          EXTRACT SOURCE CODE < ,1,2,3>  A
                                CARRY FORWARD CODE <Y,N>          A
                                SMOOTHING CODE < ,1,2>              A
                                SMOOTHING START DATE                **/**/**
                                LOT SIZING <Y/N>                    A

PRIMARY PRODUCTION LINE  aaaA5    SCHEDULE GROUP                aaaA5

WAREHOUSE LOCATION      aaaaaA7  QUANTITY PER CONTAINER        nnnnnn.nnn
                                CONTAINER DESCRIPTION            aaA4

                                F05 RETURN TO DETAIL
                                F18 REFRESH
                                F19 RETURN TO SELECT

```

What to do

To add or change detail information for repetitive manufacturing items in the Item Balance file, type in the information, and press **Enter**. The Select display AMI7A1 appears.

Function keys

F05 RETURN TO DETAIL shows you display AMI7A2 so you can add or change other detail information.

If you are authorized to change the quantities in the Item Balance file, the text for **F05** reads REVIEW QUANTITIES. In that case, pressing **F05** shows you display AMI7A4 so you can review or manually update quantities that were updated automatically by the application when processing transactions.

F18 REFRESH causes the display to appear as it did when you first selected it.

F19 RETURN TO SELECT causes Select display AMI7A1 to appear again.

Fields

[?] appears next to a field name in the following field definitions to identify a field from which you can begin a master file search.

WH (Warehouse) (HOUSE). A code that identifies the warehouse in which the item is located.

ITEM (ITNBR). The number of the item to maintain.

Description (ITDSC). The description of the item to maintain.

SCHEDULE CONTROL <Y,N> (SCHCD). The item schedule control code. The code indicates if an item can have schedules or not.

N The item is not schedule-controlled. This is the default.
Y The item is schedule-controlled.

EXTRACT SOURCE CODE <1,2,3> (EXTCD). A code used to indicate to REP the source of demand for the item. If you change this field, you may want to change the smoothing code.

blank No override. This is the default.
1 MRP, if it is installed and interfacing with REP.
2 COM, if it is installed and interfacing with REP.
3 Schedule Demand (interface) file.

CARRY FORWARD CODE <Y,N> (CFWCD). A code used to indicate whether the difference between quantity produced and schedule quantity should be brought forward into the next day's schedule as schedule quantity.

N Do not use carry forward function. This is the default.
Y Use carry forward function.

SMOOTHING CODE <,1,2> (SMHCD). A code used to indicate whether the MRP demand smoothing algorithm is used to spread production evenly for the net demand and how it should be applied. This code can be overridden by the smoothing start date. If you update the smoothing code, the requirements planning modification flag (RPFLD) is set to 1. It only appears if the **SCHEDULE CONTROL** field contains Y.

blank No smoothing. This is the default.
1 Use the system date, plus one work day.
2 Use the first net demand date.

SMOOTHING START DATE (SMHDT). A date used along with the smoothing code to indicate when demand smoothing begins for an item and warehouse combination. The date that appears in this field was typed in on the Enter and Maintain Schedules – Summary by Item display (AMQ442) in REP.

If the smoothing start date is equal to or greater than the system date, smoothing begins on the smoothing start date and overrides the value in the **SMOOTHING CODE** field. If the smoothing start date is zeros or earlier than the system date, the smoothing code determines the date smoothing starts.

[Contents](#)[Index](#)[Exit](#)

LOT SIZING <Y,N>(LOTZ). A code used to indicate whether an item can have multiple schedules per day (lots) automatically created within REP.

N Do not lot size for this item. This is the default.
Y Lot size for this item.

PRIMARY PRODUCTION LINE (PRLIN) [?]. The most frequently used production line. This field is required if the **SCHEDULE CONTROL** field contains Y. Entries allowed are limited to active work center records flagged as production lines.

SCHEDULE GROUP (SCHGP). This is a user-defined code to group items together.

WAREHOUSE LOCATION (WHSLC) [?]. The location, recorded in the Location Detail file, in which a finished item is placed when production is complete. For components used in REP, it serves as the default supply location.

QUANTITY PER CONTAINER (CONQT). The number of items that fit in a full container used to transfer items to and from the production line. This field is edited during the lot sizing process. This field is required if the **SCHEDULE CONTROL** field value is Y. The default is 1.

CONTAINER DESCRIPTION (CONDS). A user-defined code or abbreviation that describes the container in which items are moved to and from the production line.

AMI7A8—Item Balance File Maintenance — Planning Information (Add or Change)

Use this display to add or change planning information in the Item Balance and Item Plan files.

This display appears when you press **Enter** on the Item Balance File Maintenance (Add or Change) display (AMI7A4), or press **F07** on display AMI7A1.

```

DATE **/**/**          ITEM BALANCE FILE MAINTENANCE          CHANGE          AMI7A8  **
                        PLANNING INFORMATION
ITEM NUMBER ***** WAREHOUSE ***          ACTIVITY CODE          *
DESCRIPTION *****          DATE LAST MAINTAINED **/**/**
MASTER SCHEDULE ITEM CODE A          PRODUCT FAMILY PLANNER nnnnn
MINIMUM QTY          nnnnnnn.nnn          MPS PLANNING SOURCE CODE A
MAXIMUM QTY          nnnnnnn.nnn          DAYS SUPPLY          nnn
MULTIPLE QTY          nnnnnnn.nnn          FORECASTING CODE          n
MASTER LEVEL ITEM CODE A          MASTER LEVEL FCST CODE          n
ORDER POLICY CODE          A          NO OF PERIODS          nn
MASTER LEVEL PRINT CODE A          DAYS/PERIOD          nn
MAX # LINES/ITEM          A          FORECAST QTY          nnnnnn
PERIOD INTERVAL CODE          n          FIRM TIME FENCE          nnn
COMBINE REQUIREMENTS CODE          n          AUTH TIME FENCE          nnn
INCLUDE INVENTORY BALANCE          n          AUTO RELEASE CODE          n
SHRINKAGE          .nnn          CONTRACT REQUIRED CODE          n
PRBRK CONV FACTOR          nnnnnnn.nnnn          ITEM RESCHEDULE CODE          n
PLAN CUSTOMER ORDER CODE          n          RESCHEDULE FROZEN ZONE          nnnn
PLAN EXPECTED ORDER CODE          A          MIN DAYS TO RESCHEDULE          nnnn
PLANNING PROFILE ID          aaaaA6          DEMAND TIME FENCE          nnn
RESOURCE NUMBER          aaaA5          RESOURCE PROFILE BLD CODE          A
                                          F05 RETURN TO DETAIL
                                          F18 REFRESH
                                          F19 RETURN TO SELECT

```

What to do

To update planning information, type in the requested information and press **Enter**. The Item Balance and/or the Item Plan file is updated with the data you typed in, and the Select display AMI7A1 appears again.

If REP is interfacing with IM, the Repetitive Manufacturing display AMI7A7 appears.

Function keys

F05 RETURN TO DETAIL causes display AMI7A5 to appear.

F18 REFRESH erases any information you typed in and shows you the display as it first appeared.

F19 RETURN TO SELECT ignores the information you just entered and causes display AMI7A1 to appear again.

Contents	Index	Exit
--------------------------	-----------------------	----------------------

Fields

All of the fields on this display are used for planning warehouses only, except **INCLUDE INVENTORY BALANCE**, which is used for both planning and demand warehouses.

ITEM NUMBER (ITNB). The number of the item you want to maintain.

WAREHOUSE (WHID). A code used to identify the warehouse in which the above item is located.

ACTIVITY CODE (ACREC). The present status of the record shown:

A	Active
D	Deleted
S	Suspended

DESCRIPTION (ITDSC). The description of the item you want to maintain.

The remaining fields on this display are described in their order of appearance on the display, instead of by their order of cursor movement.

DATE LAST MAINTAINED (MDATE). The date this record was last maintained.

MASTER SCHEDULE ITEM CODE (MSCOD). Type in the code used by MPSP (if installed and interfacing) to indicate if this item is a master scheduled item. If you type in M, MPSP plans orders for the item and ignores any requirements generated or entered for it in MRP. MRP uses the orders created by MPSP during the MRP planning run, based on a run-time option in MRP. The available codes are:

blank	Not a master scheduled item
M	Master scheduled item
P	Production family

If the code is blank, and the MLI code is M or S, FCST (if installed and interfacing) uses the forecasting code to determine whether the item is forecast, and what, if anything, is passed to MRP. If the code is M, and FCST is installed and interfacing, the forecasting code determines whether the item is forecast and whether the forecast is passed to MPSP.

If the code is M, all item type codes are valid, except for F (Feature) or 0 (Phantom). If the code is P, the only valid master level item code is blank and the only valid item type code is 0 (Phantom). Refer to display AMVT02 for a definition of the item type codes.

Note: To change a code of M or P to blank, you first must delete the family or family member from the MPSP Production Family Relationship file.

PRODUCT FAMILY PLANNER (PFPLN). The user-defined identifier for the person responsible for planning the replenishment strategy for these production families.

MINIMUM QTY (MINQ). Type in the minimum order quantity of the item. Any planned order generated by MRP and MPSP that is for a quantity less than the minimum indicated is increased to this minimum number. The default is 0. This field is used only by MRP and MPSP (if installed and interfacing).

MPS PLANNING SOURCE CODE (MSSR). Type in the code used by MPSP (if installed and interfacing) to indicate the kind of demand used for generating the master production schedule for this item. The available codes are:

- blank** Not used in MPS planning
- B** Blended demand (the greater of forecasted demand or customer orders)
- C** Customer orders only
- D** Blended demand, do not combine customer orders
- E** Customer orders only, not combined
- F** Forecasts only
- M** Manually entered firm planned orders
- P** Item production plan

If the master scheduled item code is M, this field cannot be blank.

Codes D and E correspond to B and C except the demand records are kept separately by customer order. Codes B and C combine customer orders for the same item into a single demand quantity. Codes D and E facilitate the tracking of source of demand information by customer order.

MAXIMUM QTY (MAXQ). Type in the maximum planned order quantity. If the planned order quantity generated by MRP or MPSP exceeds this maximum, an exception is created to notify the planner, who may want to adjust the order quantity. This field is used only by MRP and MPSP (if installed and interfacing).

DAYS SUPPLY (NODS). If the item is planned in MRP, type in the number of days of supply that one order provides.

If MPSP is installed and interfacing, and the item is a master scheduled item with a MPS planning source code of P (production plan), type in the code to set the intervals for ordering this item. This field is used only by MRP and MPSP (if installed and interfacing) if the order policy code is G for this item. The available codes are:

- 1** Once a week
- 2** Two times per production planning period
- 3** One time per production planning period
- 4** One time per work day.

MULTIPLE QTY (MULQ). Type in the factor used by MRP and MPSP (if installed and interfacing) to increase a planned order to a multiple of this quantity. For example, if the planned order was originally for a quantity of 16 and the multiple quantity factor was 20, the planned order would be increased to 320. If the original quantity was 35, the planned order would be increased to 700. This field is used only by MRP and MPSP (if installed and interfacing).

FORECASTING CODE (FCSC). Type in the code used to control forecasting for this item in this warehouse. The available codes are:

- 0** Do not forecast this item.
- 1** Forecast but do not pass to MRP/MPSP.
- 2** Forecast this item. If the master schedule item code (MSIC) is M, pass the forecast to MPSP. If MSIC is blank and the MLI code is M or S, pass the forecast to MRP.
- 3** Forecast this item. If the MSIC is M, pass the forecast to MPSP. If MSIC is blank and the MLI code is M or S, pass both the forecast and the requirement to MRP.

MASTER LEVEL ITEM CODE (MLIC). Type in the code used by MRP (if installed and interfacing) to indicate if this item is a master level item and, if so, which requirements to use when planning orders. The available codes are:

blank Not a master level item (MLI).

M Multiple source MLI. Both planner-entered (manual, held, and propagated) and generated requirements cause planned orders to be created for this item.

S Single source MLI. Only planner-entered requirements cause planned orders to be created.

MASTER LEVEL FCST CODE (Master Level Forecast Code) (MLFC). Type in the code used by MRP (if installed and interfacing) to indicate if the master level item is to have a forecast propagated in MRP, using the three fields listed below. The available codes are:

0 Do not propagate forecast for this item.

1 Propagate forecast for this item.

2 Propagate requirements equal to forecast for this item.

If FCST is installed and interfacing, you must type in 0. If MRP is installed and interfacing, and the MRP application tailoring option does not allow the forecast to equal requirements, items coded 2 are treated as if they were coded 1. If code 1 or 2 is typed in, the following fields (also defined on the Item Balance File Maintenance displays) must contain nonzero values for propagation to occur:

- **NO OF PERIODS** (Number of Forecast Periods) (FRPD)
- **DAYS/PERIOD** (Days per Forecast Period) (PDDY)
- **FORECAST QTY** (Forecast Quantity) (FRQTY)

NO OF PERIODS (Number of Forecast Periods) (FRPD). Type in the number of periods over which this item is to be forecasted in MRP. This field is used only if MRP is installed and interfacing, and applies only to forecasts generated in MRP. If FCST is installed and interfacing, leave this field blank.

ORDER POLICY CODE (ORDP). Type in the code used to identify the order policy to be used to plan replenishment orders for this item. The available codes are:

- A** Discrete order quantity
- B** Order point, order quantity
- C** Order point, order up to level
- D** Fixed quantity
- F** Part period balancing – standard cost
- G** Time periods of supply (default)
- H** Discrete above a minimum quantity
- I** Part period balancing – current cost
- Z** User option

If MRP or MPSP are installed and interfacing with IM, items with an order policy code of B or C are not planned. IM treats all items as having a code of B, except those with a code of C. If you leave this field blank, the default of G is assumed. It is recommended that you use the default value of G except for those items for which you have a specific reason to use another code.

Refer to the *Material Requirements Planning User's Guide* for a detailed explanation of order policy codes.

DAYS/PERIOD (Days per Forecast Period) (PDDY). Type in the number of days to be contained in each MRP forecast period. This field is used only if MRP is installed

Contents	Index	Exit
-----------------	--------------	-------------

and interfacing, and applies only to forecasts generated in MRP. If FCST is installed and interfacing, leave this field blank.

MASTER LEVEL PRINT CODE (MLPC). Type in the code used by MRP (if installed and interfacing) to indicate if this item is printed on MRP MLI reports during master level planning runs. The available codes are:

- blank** Always printed.
- L** Printed only if this item's level was planned.
- S** Service usage. Is not printed on MRP MLI reports.

FORECAST QTY (FRQTY). Type in the forecast quantity per time period. This field is used by MRP (if installed and interfacing) to propagate forecast quantities when the Master Level Forecast Code is 1 or 2. It identifies the quantity of this item used in the forecast and ranges from 0 through 9,999,999. If FCST is installed and interfacing, this field should be zero. The default is zero.

MAX # LINES/ITEM (MXLN). Type in the code used to indicate the maximum number of lines to be printed for this item on the MRP Requirements Planning Report and the MPSP Master Schedule Planning Report. The available codes are:

- blank** 1 page per item
- A** All detail

FIRM TIME FENCE (FTIM). Type in the number of days during which orders can be placed and purchase can be committed. The number of days entered is added to the MRP current date to establish this fence. The established time fence is used with the auto release function. This field is used for standard purchase orders and for requisitions.

PERIOD INTERVAL CODE (PDIN). Type in the code used by MRP (if installed and interfacing) to indicate how requirements detail is presented on the Requirements Planning report. The available codes are:

- 0** Print full detail.
- 1** Summarize according to the first set of print intervals.
- 2** Summarize according to the second set of print intervals.
- 3** Summarize according to the third set of print intervals.

This code corresponds to the print intervals defined on MRP Period Interval display, AMM120.

AUTH TIME FENCE (ATIM). Type in the number of days during which orders can be intended and payment for vendor raw materials can be committed. The number of days entered is added to the MRP current date to establish this fence. The established time fence is used with the auto release function. This field is used for standard purchase orders and for requisitions.

COMBINE REQUIREMENTS CODE (CMRQ). Type in the code used by MRP (if installed and interfacing) to indicate if requirements for this item are to be combined during the MRP Requirements Planning run.

Note: You are not able to use the pegged-to-requirements function for any items that have combined requirements.

The four combine interval sizes and the five price break literals are defined on MRP Period Interval display, AMM120. Codes 5 through 9 (price break literals) combine requirements according to the fourth period interval.

Contents	Index	Exit
--------------------------	-----------------------	----------------------

The price break literals refer to the price break unit of measure constants printed on the MRP Purchase Planning report. The available codes are:

- 0** Do not combine requirements
- 1** Combine interval 1
- 2** Combine interval 2
- 3** Combine interval 3
- 4** Combine interval 4
- 5** Price break literal 5
- 6** Price break literal 6
- 7** Price break literal 7
- 8** Price break literal 8
- 9** Price break literal 9.

AUTO RELEASE CODE (ATRL). A code used to define the conditions under which purchase orders or requisitions for this item can be automatically released. This field is used by MRP auto release for planned items and by IM Reorder report for order point items. Type one of the following codes:

- 0** Do not automatically release requisitions or purchase orders.
- 1** Automatically release requisitions without generating a purchase order.
- 2** Automatically release held single purchase orders if the planned order is within the FIRM horizon. The hold from print code must be manually removed in Purchasing before the purchase order is available for printing.
- 3** Automatically release single purchase orders if the planned order is within the FIRM horizon. The purchase orders are available for automatic selection during the purchase order print process. No manual intervention is required.
- 4** Automatically release held blanket purchase orders if the planned order is within the FIRM or AUTHORIZED horizon. The hold from print code must be manually removed in Purchasing before the purchase order is available for printing. Releases can be added to a normal or a fixed blanket order.
- 5** Automatically release blanket purchase orders if the planned order is within the FIRM or AUTHORIZED horizon. The purchase orders are available for automatic selection during the purchase order print process. Releases can be added to a normal or a fixed blanket order.
- 6** Automatically release held fixed blanket purchase orders if the planned order is within the FIRM or AUTHORIZED horizon. The hold from print code must be manually removed in Purchasing before the purchase order is available for printing. A fixed blanket order must already exist with this option.
- 7** Automatically release fixed blanket purchase orders if the planned order is within the FIRM or AUTHORIZED horizon. The purchase orders are available for automatic selection during the purchase order print process. A fixed blanket order must already exist with this option.

INCLUDE INVENTORY BALANCE (ININ). Type in one of the following:

- 1** Yes. Include inventory balance of this item/warehouse in MRP planning runs. This is the default.
- 0** No. Do not include inventory balance of this item/warehouse in MRP planning runs.

Contents	Index	Exit
-----------------	--------------	-------------

CONTRACT REQUIRED CODE. Type in one of the following:

- 0** Use the value for this warehouse defined on MRP's Planning Run Execution Options panel (AMM151). This is the default. If MRP is not interfacing, a 0 value is treated the same as 1 (which is the default for the field in MRP).
- 1** A contract is required for this item; must be valid and unexpired.
- 2** A contract is not required for this item; however, expired contracts can stop release of the item and a hard error is issued. However, if a valid contract is found, it will be used.
- 3** A contract is not required for this item. The system issues a warning if there are expired contracts, but will create the purchase order or release. If a valid contract is found, it will be used.
- 4** A contract is not required for this contract and the system ignores any contracts.

SHRINKAGE (SHFC). Type in the value used by MRP and MPSP (if installed and interfacing) as a multiplier to adjust gross requirements not covered by on-hand quantity to reflect expected material losses.

MRP and MPSP consider both shrinkage and adjusted quantity per (which includes operation yield). Therefore, if you are using operation yield, you probably want a shrinkage factor of zero. Only in cases where there is additional loss of the parent item after production is complete, such as testing or breakage in packaging, do you want to use a shrinkage factor and operation yield.

ITEM RESCHEDULE CODE (ITRC). Code used to indicate whether or not orders for the item (by item/warehouse) can be rescheduled automatically by the system.

- 0** Default to warehouse reschedule code
- 1** Cannot be rescheduled automatically
- 2** Can be scheduled out
- 3** Can be scheduled in
- 4** Can be scheduled both out and in

PRBRK CONV FACTOR (Price Break Conversion Factor) (PBCF). Type in the factor used by MRP (if installed and interfacing) to convert planning units to purchase units. The factor is described by the price break literal assigned to this item (see Chapter "COMBINE REQUIREMENTS CODE (CMRQ)" on page -55).

RESCHEDULE FROZEN ZONE (RSFZ). Number of days within which production schedules will not be rescheduled, by item/warehouse.

PLAN CUSTOMER ORDER CODE (CTPO). Type in one of the following codes:

- 1** Create planned orders equal to all customer orders that fall after the MRP current date.
- 2** Create planned orders for all orders that fall after the release date.
- 3** Create planned orders for all orders that fall after the review date.
- 4** Do not create any planned orders.
- 5** Create planned orders equal to all customer orders that fall after MRP start date.

MIN DAYS TO RESCHEDULE (MIND). Specifies the minimum number of days that an order can move in order for it to be rescheduled automatically by the system. The default is 0.

PLAN EXPECTED ORDER CODE (ETPO). Type in one of the following codes:

Blank Use the value in the Warehouse Master file.

0 Do not use expected customer orders in planning.

A Use only type A (Make) expected customer orders in planning.

B Use type A (Make) and type B (Buy) expected customer orders in planning.

C Use type A (Make), type B (Buy), and type C (Firm) expected customer orders in planning.

D Use type A (Make), type B (Buy), type C (Firm), and type D (Plan) expected customer orders in planning.

PLANNING PROFILE ID (PSPR) [?]. The user-defined purchase planning profile identifier that was created in MRP for the vendor or item/warehouse.

DEMAND TIME FENCE(DMDFN). Type in the number of days that are used by MPSP (if installed and interfacing) as a frozen planning zone in the MPSP master production schedule for this item. During this period, blended demand does not include forecasts until the periods after the fence date, and only customer orders are considered as demand. Any changes to the production schedule during the frozen period should be avoided because they can seriously affect production schedules. This number of days can equal the final assembly lead time (FALT) for this item. The system uses this number to calculate the demand time fence date in the master production schedule for this item.

RESOURCE NUMBER (RSCNO). Type in the user-defined number used by MPSP (if installed and interfacing) to identify this item as a critical resource.

Note: You must enter the resource number in the MPSP Resource Master file before you can enter it into the Item Plan file.

RESOURCE PROFILE BLD CODE (RSCBF). Type in the code used by MPSP (if installed and interfacing) to indicate which items or production families can have resource profiles generated. The available codes are:

Y Build profile

N Do not build profile.

[Contents](#)[Index](#)[Exit](#)

Option 3. Purchase Order Item Detail (AMIM70)

Use this option when you need to change, cancel, or reactivate a purchase order already in the Purchase Order Item Detail file and change a blanket order with no releases to a non-blanket order.

Notes:

1. If Purchasing is installed and interfacing, you must maintain purchase orders using that application.
2. If MPSP is installed and interfacing, there may be changes pending for a purchase order as a result of order maintenance in MPSP. Any changes made by MPSP to the deviation quantity, start date, or due date are automatically cleared when you select the order during Purchase Order Item Detail file maintenance. If you want the new values (from MPSP) to be used by MRP and MPSP, you must type in these values when you maintain the order.
3. If you cancel any orders while maintaining the Purchase Order Item Detail file, be sure to select these orders for closeout and purge them from your files using the following options on the Order Release and Closeout menu (AMIM40):
 1. Order Closeout Selection)
 2. Order Closeout Report and Purge).

What information you need: Completed form IM-12.

What reports are printed: Purchase Order Item Detail Maintenance Edit List (AMI7B).

What forms you need: IM-12.

The basic steps to maintain files follow each display.

AMI7B1—Purchase Order Item Detail File Maint. (Select)

Use this display to enter a purchase order number, item number, and (if multiple warehouses are supported) warehouse to identify the record to be changed.

This display appears when you select option 3 on the File Maintenance menu (AMIM70), when you select **F10**, **F11**, or **F19** on display AMI7B2, or when you press Enter on either display AMI7B2 or AMI7B3. This display does not appear if Purchasing is installed and interfacing.

```
DATE **/**/** PURCHASE ORDER ITEM DETAIL FILE MAINT.   SELECT   AMI7B1  **  
  
ORDER NUMBER aaaaaA7  
ITEM NUMBER  aaaaaaaaaA15  
WAREHOUSE    aA3  
SEQUENCE     nnn  
  
F24 DISPLAY STATUS
```

What to do

To identify the record to change, type in the purchase order number, item number, and, optionally, the warehouse number and press **Enter**. The Purchase Order Item Detail File Maintenance (Change) display (AMI7B2) appears.

Function keys

F24 DISPLAY STATUS causes the Purchase Order Item Detail File Maintenance (Status) display (AMI7B3) to appear.

Fields

[?] appears next to a field name in the following field definitions to identify a field from which you can begin a master file search.

ORDER NUMBER (ORDNO) [?]. Required. Type in the number of the purchase order to maintain.

ITEM NUMBER (ITNBR) [?]. Required. Type in the number of the item on the purchase order.

Contents	Index	Exit
--------------------------	-----------------------	----------------------

WAREHOUSE (HOUSE). Required if you have multiple warehouses defined in the Warehouse Master file. Type in the code of the warehouse where the item is stocked. If you have only one warehouse, the warehouse defined in the Warehouse Master file appears in this field and cannot be changed.

SEQUENCE. Type in the line item sequence number to maintain a specific occurrence of a miscellaneous or service item that appears more than once on the same purchase order. Leave this field blank for inventory items.

AMI7B2—Purchase Order Item Detail File Maint. (Change)

Use this display to change purchase order information, or to cancel or reactivate an order.

This display appears when you make valid entries and press **Enter** on display AMI7B1.

```

DATE **/**/** PURCHASE ORDER ITEM DETAIL FILE MAINT. CHANGE AMI7B2 **
** BLANKET ORDER **

ORDER NUMBER ***** ITEM NUMBER ***** WAREHOUSE *** CLASS ****
SEQUENCE ***
DESCRIPTION aaaaaaaaaaaaaaaaaaaaaaaaaaA30 ORDER STATUS A2

QUANTITIES DATES
ORDER QUANTITY nnnnnn.nnn ORDER DATE nnnnnn VENDOR aaaaA6
RECEIPT AT DOCK nnnnnn.nnn DUE DATE nnnnnn STOCK LOC aaaaaA7
INSPECTION nnnnnn.nnn FOLLOW UP nnnnnn DEPARTMENT aaA4
SCRAP nnnnnn.nnn LAST ACTIVITY nnnnnn PLANNER nnnnn
RECEIPT TO STOCK nnnnnn.nnn JOB NO aaaaaaaaaA12
DEVIATION nnnnnn.nnn

VENDOR CATALOG NO aaaaaaaaaaaaaaaaaaA25
REFERENCE NUMBER aaaaaaaA10
RESCHEDULE CODE n

DATE LAST MAINTAINED **/**/**

F10 CANCEL ORDER
F11 REACTIVATE ORDER
F18 REFRESH SCREEN
F19 RETURN TO SELECT

```

What to do

To change purchase order information, make any necessary changes and press **Enter**. The Purchase Order Item Detail file is updated with the data you typed in and display AMI7B1 appears again.

Function keys

F10 CANCEL ORDER changes the order status from 10 (released) to 99 (order canceled) and causes display AMI7B1 to appear again. This function key is valid only if the order status is 10.

F11 REACTIVATE ORDER changes the order status to 40 (received to stock) and causes display AMI7B1 to appear again. This function key is valid only if the order status is 50 or 99. If you reactivate an order that has been selected for closeout, this does not prevent the order from being closed and purged from the system. The order remains selected for closeout until you enter a reverse selection through option 5 (Order Closeout Selection) on menu AMIM40. You cannot reactivate an order if it has been closed and purged from the system.

F18 REFRESH SCREEN causes display AMI7B2 to appear as it did when you first selected it.

F19 RETURN TO SELECT causes no update to occur and display AMI7B1 to appear again.

Fields

All fields in which you can enter information are optional. The header information on this display includes ** BLANKET ORDER ** if there are multiple releases, and ** BLANKET ORDER - NO RELEASES ** if this blanket order contains no releases.

CLASS (Item Class) (ITCLS). A user-defined code from the Item Master record that identifies the class or group to which this item belongs. For example, ST might indicate this item is classified with that group of items made of steel.

DESCRIPTION (Item Description) (ITDSC). The description of the item on this order from the Item Master record. When printing the Inventory Transaction Register (AMV3G), the application always uses the description in the Item Master file.

ORDER STATUS (STAIC). One of the following six purchase order status codes:

10	Released
20	Received to dock
30	Received to inspection
40	Received to stock
50	Order complete
99	Order canceled

QUANTITIES. For purposes of continuity, the following six fields are not described in the normal sequence dictated by cursor movement:

ORDER QUANTITY (QTYOR). Type in the quantity of the item on this purchase order. This field cannot be changed after any activity has occurred on the order. It can be changed only if the order status code is 10. To adjust the order quantity if the order status code is not 10, the **DEVIATION** field must be used. The following formula shows the effect of the deviation quantity on the open quantity:

$$\text{Quantity Open} = \text{Order Quantity} - \text{Receipt to Stock} + \text{Deviation}$$

RECEIPT AT DOCK (DKQTY). Type in the quantity of the item received at the dock (receiving).

INSPECTION (INSQT). Type in the quantity of the item received in inspection.

SCRAP (QTSCP). Type in the quantity of the item that failed to pass inspection.

RECEIPT TO STOCK (STKQT). Type in the quantity of the item received to stock.

DEVIATION (Quantity Deviation) (QTDEV). Deviation (+ or -) between the original quantity placed on order and total quantity expected to be received in stock.

DATES. For purposes of continuity, the following four fields are not described in the normal sequence dictated by cursor movement:

ORDER DATE (ACTDT). Type in the actual date this order was placed.

DUE DATE (DUEDT). Type in the date the item is due to be in stock.

FOLLOW UP (Follow-Up Date) (FOLDT). Type in the date when the status of this order should be verified with the vendor.

Contents	Index	Exit
--------------------------	-----------------------	----------------------

LAST ACTIVITY (Date of Last Activity) (LATDT). Type in the date when the last activity took place on this order.

VENDOR (Vendor Number) (VNDNR). Type in the number of the vendor supplying the item. The Purchase Order Master file and all Purchase Order Detail records for this purchase order are updated with the vendor number.

STOCK LOC (Stock Location) (WHSLC). Type in the code as stored in the Item Balance file that identifies the stock location of the item.

DEPARTMENT (Department Number) (DPTNO). Type in the number of the department for the item.

PLANNER (PLANN). Type in the number of the individual who is primarily responsible for planning the replenishment strategy for the item.

JOB NO (Customer Job Number) (JOBNO). Type in the customer job or order number that you want to appear as a reference on any reports and displays related to this order.

If COM is installed and interfacing with IM, a customer order number includes the company number and order type of the associated customer order.

VENDOR CATALOG NO (VCLNB). Type in the vendor's catalog number for the item.

REFERENCE NUMBER (REFNO). Type in the user-assigned reference number that appears on any reports or displays associated with this order.

RESCHEDULE CODE. Code used to indicate whether or not an individual manufacturing order or purchase order line item can be rescheduled automatically by the system.

- 0** Default to item reschedule code. This is the default.
- 1** Cannot be rescheduled automatically
- 2** Can be scheduled out
- 3** Can be scheduled in
- 4** Can be scheduled both out and in

CHANGE TO A NON-BLANKET ORDER?. The default is no change. This field displays only if this is a blanket order with no releases.

DATE LAST MAINTAINED (MDATE). The last date when maintenance was performed on the purchase order you selected appears.

AMI7B3—Purchase Order Item Detail File Maint. (Status)

Use this display to review the number of records maintained in the Purchase Order Item Detail file and to end the job.

This display appears when you press **F24** on display AMI7B1.

```
DATE **/**/** PURCHASE ORDER ITEM DETAIL FILE MAINT. STATUS AMI7B3 **  
  
SESSION STATUS PURCHASE  
ORDER  
ITEM  
DETAIL  
FILE  
RECORDS CHANGED * ,*** ,***  
ORDERS CANCELED * ,*** ,***  
ORDERS REACTIVATED * ,*** ,***  
  
F24 END OF JOB
```

What to do

To end the job after you review the information, press **F24**. Display AMI7B1 appears again.

Function keys

F24 END OF JOB causes the File Maintenance menu (AMIM70) to appear again.

Fields

All fields on this display are informational only.

SESSION STATUS. The number of records maintained in the Purchase Order Item Detail file during this session.

RECORDS CHANGED. The number of records changed during this session.

ORDERS CANCELED. The number of orders, whose status was changed to 99 using F10 on display AMI7B2, during this session.

ORDERS REACTIVATED. The number of orders, whose status was changed to 40 using F11 on display AMI7B2, during this session.

[Contents](#)[Index](#)[Exit](#)

Option 4. Purchase Order Blanket Release Detail (AMIM70)

Use this option when you need to add a new blanket release to the Purchase Order Blanket Release Detail file or change or delete blanket release information already in the Purchase Order Blanket Release Detail file.

Maintenance of the blanket releases does not adjust the order quantity or due date in the Purchase Order Item Detail file or on-order purchase quantity in the Item Balance file. These changes can be made using Purchase Order Item Detail file maintenance, if necessary.

Notes:

1. If Purchasing is installed and interfacing, you must maintain blanket releases using that application.
2. If MPSP is installed and interfacing, there may be changes pending for a purchase order blanket release as a result of order maintenance in MPSP. Any changes made by MPSP to the deviation quantity, start date, or due date are automatically cleared when you select the release during Purchase Order Blanket Release Detail file maintenance. If you want the new values (from MPSP) to be used by MRP and MPSP, you must enter these values when you maintain the release.

What information you need: Completed form IM-13.

What reports are printed: Purchase Order Blanket Release Detail Maintenance Edit List (AMI7C).

What forms you need: Form IM-13.

The basic steps to maintain files follow each display.

AMI7C1—P.O. Blanket Release Detail File Maint. (Select)

Use this display to select the type of maintenance (add, change, or delete) to be performed and the specific purchase order and number of the blanket release that is to be maintained. Maintenance of blanket releases adjusts order quantity but does not adjust due date in the Purchase Order Item Detail file or the on-order purchase quantity in the Item Balance file.

This display appears when you select option 4 on the File Maintenance menu (AMIM70), when you select **F19** or press **Enter** on display AMI7C2 or AMI7C3, or when you press **Enter** on display AMI7C4. This display does not appear if Purchasing is installed and interfacing.

```
DATE **/**/** P.O. BLANKET RELEASE DETAIL FILE MAINT.  SELECT  AMI7C1  **

ORDER NUMBER aaaaaA7  ITEM NUMBER aaaaaaaaaaA15  WAREHOUSE aA3  SEQUENCE nnn
BLANKET RELEASE NO nnnn

                                A-ADD
                                C-CHANGE
                                D-DELETE
                                ACTION
                                A

F24 DISPLAY STATUS
```

What to do

To perform file maintenance on a blanket release, type in the action code and blanket release number and press **Enter**.

- If you type **A** or **C** in the **ACTION** field, display AMI7C2 appears.
- If you type a **D** in the **ACTION** field, display AMI7C3 appears.

Function keys

F24 DISPLAY STATUS causes display AMI7C4 to appear, allowing review of the Purchase Order Blanket Release Detail file maintenance.

Fields

[?] appears next to a field name in the following field definitions to identify a field from which you can begin a master file search.

ORDER NUMBER (ORDNO) [?]. Required. Type in the order number of the blanket purchase order to be maintained.

Contents	Index	Exit
--------------------------	-----------------------	----------------------

ITEM NUMBER (ITNBR) [?]. Required. Type in the number of the item on the blanket purchase order that is to be maintained.

WAREHOUSE (HOUSE). Required if you have multiple warehouses defined in the Warehouse Master file. Type in the code of the warehouse where the item is stocked. If you have only one warehouse, the warehouse defined in the Warehouse Master file appears in this field and cannot be changed.

SEQUENCE. Required. Type in the line item sequence number to maintain a specific occurrence of a miscellaneous or service item that appears more than once on the same purchase order. Leave this field blank for inventory items.

BLANKET RELEASE NO (BLKSQ). Required. Type in the sequence number of the blanket release to be maintained if you are changing or deleting a record. If you are adding a record, leave this field blank, and the application assigns a release number.

ACTION. Required. The kind of maintenance performed.

- A** Add
- C** Change
- D** Delete

[Contents](#)[Index](#)[Exit](#)

AMI7C2—P.O. Blanket Release Detail File Maint. (Add or Change)

Use this display to add or to change Purchase Order Blanket Release Detail records.

This display appears when you enter A or C in the **ACTION** field on display AMI7C1.

```

DATE **/**/**  P.O. BLANKET RELEASE DETAIL FILE MAINT.  *****  AMI7C2  **

ORDER NUMBER *****  ITEM NUMBER *****  WAREHOUSE *** SEQUENCE ***
ORDER QTY  *****.*  DEVIATION QTY *****.*  RELEASE NUMBER ****

QUANTITY THIS RELEASE          nnnnnnn.nnn
QTY RECEIVED AT DOCK           nnnnnnn.nnn
INSPECTION QUANTITY            nnnnnnn.nnn
QUANTITY SCRAPPED              nnnnnnn.nnn
QTY RECEIVED TO STOCK          nnnnnnn.nnn
DUE DATE THIS RELEASE          nnnnnn
LAST ACTIVITY DATE             nnnnnn

DATE LAST MAINTAINED           **/**/**

F02 PAGE FORWARD
F03 PAGE BACKWARD
F17 OVERRIDE WARNING
F18 REFRESH SCREEN
F19 RETURN TO SELECT

```

What to do

To add or change the detail record, type in the requested information and press **Enter**. The Purchase Order Blanket Release Detail file is updated with the data you typed in and display AMI7C1 appears again.

Function keys

If this display appeared because you entered C in the **ACTION** field, **F02** and **F03** can be used to page forward or backward through the releases for this purchase order. If this display appeared because you entered A in the **ACTION** field, **F02** and **F03** are not valid.

F02 PAGE FORWARD (applicable to change activity only) causes the next Purchase Order Blanket Release Detail record to appear.

F03 PAGE BACKWARD (applicable to change activity only) causes the previous Purchase Order Blanket Release Detail record to appear.

F17 OVERRIDE WARNING causes any warning message to be ignored. Causes the Purchase Order Blanket Release Detail file to be updated and causes display AMI7C1 to appear again. **F17** is not active when this display initially appears. **F17** becomes active only after you type incorrect entries and press **Enter**.

F18 REFRESH SCREEN causes display AMI7C2 to appear as it did when you first selected it.

[Contents](#)[Index](#)[Exit](#)

F19 RETURN TO SELECT causes no update to occur and display AMI7C1 to appear again.

Fields

The **ORDER NUMBER**, **ITEM NUMBER**, **WAREHOUSE**, **SEQUENCE**, and **RELEASE NUMBER** fields were typed in on display AMI7C1.

ORDER QTY. The original order quantity of the item on this purchase order.

DEVIATION QTY. The quantity by which the original order quantity changed. The variance between the order quantity and the deviation quantity is what is expected to be received in stock.

QUANTITY THIS RELEASE (RELQT). Type in the quantity of the item to be ordered on this blanket release of the purchase order. If you increase this quantity so that the total of the releases is greater than the **ORDER QTY**, the **ORDER QTY** field is increased by the same quantity. If you decrease this quantity, the **ORDER QTY** field does not change.

QTY RECEIVED AT DOCK (DKQTY). Type in the quantity of the item received at the dock on this release.

INSPECTION QUANTITY (INSQT). Type in the quantity of the item received in inspection on this release.

QUANTITY SCRAPPED (QTSCP). Type in the quantity of the item that failed to pass inspection on this release.

QTY RECEIVED TO STOCK (STKQT). Type in the quantity of the item received to stock on this release.

DUE DATE THIS RELEASE (RELDT). Type in the date this release of the item is due in stock.

LAST ACTIVITY DATE (LATDT). Type in the date this release last had activity.

DATE LAST MAINTAINED (MDATE). The last date when maintenance was performed on this record appears.

AMI7C3—P.O. Blanket Release Detail File Maint. (Delete)

Use this display to delete Purchase Order Blanket Release Detail records.

This display appears when you enter D in the **ACTION** field on display AMI7C1.

```
DATE **/**/** P.O. BLANKET RELEASE DETAIL FILE MAINT. DELETE AMI7C3 **

ORDER NUMBER ***** ITEM NUMBER ***** WAREHOUSE *** SEQUENCE ***
ORDER QTY *****.*** RELEASE NUMBER ****

QUANTITY THIS RELEASE *****.***
QTY RECEIVED AT DOCK *****.***
INSPECTION QUANTITY *****.***
QUANTITY SCRAPPED *****.***
QTY RECEIVED TO STOCK *****.***
DUE DATE THIS RELEASE **/**/**
LAST ACTIVITY DATE **/**/**

DATE LAST MAINTAINED **/**/**

F02 PAGE FORWARD
F03 PAGE BACKWARD
F17 OVERRIDE WARNING
F19 RETURN TO SELECT
```

What to do

To delete the detail record, review the information and press **Enter**. The blanket purchase order release detail record shown is deleted, and display AMI7C1 appears again.

Function keys

F02 PAGE FORWARD causes the next Purchase Order Blanket Release Detail record to appear.

F03 PAGE BACKWARD causes the previous Purchase Order Blanket Release Detail record to appear.

F17 OVERRIDE WARNING causes any warning message to be ignored and deletes the Purchase Order Blanket Release Detail record. **F17** is not active when this display initially appears. **F17** becomes active only after you type incorrect entries and press Enter.

F19 RETURN TO SELECT causes no deletions to occur and display AMI7C1 to appear again.

Contents	Index	Exit
--------------------------	-----------------------	----------------------

Fields

All fields on this display are informational only. The values in the **ORDER NUMBER**, **ITEM NUMBER**, **WAREHOUSE**, and **SEQUENCE** fields were typed in on display AMI7C1. For a definition of the remaining fields, see "AMI7C2—P.O. Blanket Release Detail File Maint. (Add or Change)".

AMI7C4—P.O. Blanket Release Detail File Maint. (Status)

Use this display to review the number of records maintained in the Purchase Order Blanket Release Detail file and to end the job.

This display appears when you select **F24** on display AMI7C1.

```
DATE **/**/** P.O. BLANKET RELEASE DETAIL FILE MAINT. STATUS AMI7C4 **  
  
PURCHASE  
ORDER  
BLANKET  
RELEASE  
FILE  
  
SESSION STATUS  
  
RECORDS ADDED * *** **  
RECORDS CHANGED * *** **  
RECORDS DELETED * *** **  
  
F24 END OF JOB
```

What to do

To end the job, review the records and press **F24**. Display AMI7C1 appears again.

Function keys

F24 END OF JOB causes the File Maintenance menu (AMIM70) to appear again.

Fields

SESSION STATUS. The number of records maintained in the Purchase Order Blanket Release Detail file during this session.

RECORDS ADDED. The number of records added during this session.

RECORDS CHANGED. The number of records changed during this session.

RECORDS DELETED. The number of records deleted during this session.

Option 5. Mfg Order Master (AMIM70)

Use this option when you need to change, cancel, or reactivate a manufacturing order already in the Manufacturing Order Master file. When any part of the order has been allocated, you cannot change the order quantity and deviation quantity fields.

When quantities are changed within a Manufacturing Order Master record, the on-order production quantity is also adjusted. The order quantity can only be changed if there has been no activity on the order since it was released (order status = 10). When the order quantity is changed, the total quantity required for each Manufacturing Order Detail record for the order is recalculated and changed. As each Manufacturing Order Detail record is changed, the manufacturing allocation quantity in its associated Item Balance record is also adjusted.

If activity has been reported for the manufacturing order (order status greater than 10, but less than 45), the original order quantity field cannot be maintained. A deviation quantity must be specified to reflect any desired changes to the end item order quantity. See Chapter 2, "Managing Inventory Management" for further information on end item order quantity changes.

When the order start date is changed, the required date for each Manufacturing Order Detail record is also changed to the new start date, if the old dates were the same. When the order due date is changed, the required date of each Manufacturing Order Detail record is changed (by use of the Calendar file) if the old required date was not the same as the old order start date. If the order status is greater than or equal to 40 and PC&C is installed and interfacing and tailored for backward scheduling, the scheduled start date (SSTDT) and the actual start date (ASTDT) are protected from change.

You can also reactivate an order which has been selected for order closeout and purge. You must do the following:

- Enter a reverse selection (R) on the order in Order Closeout Selection to reopen the order.
- Reactivate the order using Manufacturing Order Master file maintenance.

You cannot reactivate the order if it has been closed and purged from the system.

Notes:

1. If MPSP is installed and interfacing, there may be changes pending for a manufacturing order as a result of order maintenance in MPSP. Any changes made by MPSP to the deviation quantity, start date, or due date are automatically cleared when you select the order during Manufacturing Order Master file maintenance. If you want the new values (from MPSP) to be used by MRP and MPSP, you must enter these values when you maintain the order.
2. If you cancel any orders while maintaining the Manufacturing Order Master file, be sure to select these orders for closeout and purge them from your files using the following options on the Order Release and Closeout menu (AMIM40):
 - 1.Option 1 (Order Closeout Selection)
 - 2.Option 2 (Order Closeout Report and Purge).

What information you need: Completed form IM-14.

Contents	Index	Exit
--------------------------	-----------------------	----------------------

What reports are printed: Manufacturing Order Master Maintenance Edit List (AMI7D).

What forms you need: Form IM-14.

I

The basic steps to maintain files follow each display.

AMI7D1—Manufacturing Order Master File Maintenance (Select)

Use this display to choose an existing manufacturing order to be changed or corrected in the Manufacturing Order Master file.

This display appears when you choose option 5 on the IM File Maintenance menu (AMIM70) or option 1 on the PCC File Maintenance menu (AMCM70) or on the PM&C File Maintenance menu (AMJM50), when you choose **F10**, **F11**, or **F19** on display AMI7D2, or when you press **Enter** on displays AMI7D2 or AMI7D3.

```
DATE **/**/** MANUFACTURING ORDER MASTER FILE MAINTENANCE SELECT AMI7D1 **  
  
ORDER NUMBER aaaaa7  
  
F24 DISPLAY STATUS
```

What to do

To change, cancel, or reactivate a manufacturing order, type in the order number and press **Enter**. Go to display AMI7D2.

Function keys

F24 DISPLAY STATUS causes the Manufacturing Order Master File Maintenance (Status) display (AMI7D3) to appear. Use it to review the session status, or end Manufacturing Order Master file maintenance.

Fields

[?] appears next to a field name in the following field definitions to identify a field from which you can begin a master file search.

ORDER NUMBER [?]. Required. Type in the number of the manufacturing order you want to maintain.

AMI7D2—Manufacturing Order Master File Maintenance (Change)

Use this display to change Manufacturing Order information entered on display AMI7D1.

This display appears when you enter a valid order number and press **Enter** on display AMI7D1.

```

DATE **/**/** MANUFACTURING ORDER MASTER FILE MAINTENANCE CHANGE AMI7D2 **

ORDER NUMBER ***** ITEM NUMBER ***** WH *** REVISION *****

DESCRIPTION                aaaaaaaaaaaaaaaaaaaaaaaaaA30  ORDER STATUS **
ENG DRAWING                aaaaaaaaaaaaaA15
ORDER QUANTITY             nnnnnn.nnn
QUANTITY DEVIATION        nnnnnn.nnn      MANAGEMENT PRIORITY  A
QUANTITY RECEIVED         nnnnnn.nnn      DEPARTMENT            aaA4
SCRAP QUANTITY            nnnnnn.nnn      STOCK LOCATION        aaaaaA7
SPLIT ORDER QTY          nnnnnn.nnn      JOB NUMBER            aaaaaaaaaA12
                           nnnnnn.nnn      REFERENCE NUMBER     aaaaaaaA10
                           nnnnnn.nnn      PLANNER              nnnnn
                           nnnnnn.nnn      ORD ACTG CLS         aA3
                           nnnnnn.nnn      RESCHEDULE CODE     n
                           nnnnnn.nnn      UNIT COST           nnnnnnnnnn.nnnnnnnn

DATE LAST MAINTAINED **/**/**

F10 CANCEL ORDER
F11 REACTIVATE ORDER
F18 REFRESH SCREEN
F19 RETURN TO SELECT

```

What to do

To change the manufacturing order, type in the requested information and press **Enter** or use one of the function keys listed on the display. Go to display AMI7D1.

Function keys

F10 CANCEL ORDER changes the Order Status from 10 to 99. This causes the order to be canceled, and the Manufacturing Order Master File Maintenance (Select) display (AMI7D1) to appear again. This function key is only valid when the Order Status is 10.

F11 REACTIVATE ORDER changes the Order Status on a previously completed order to 10 if there was no cost activity; or to 40 if there was cost activity and receipts; and the Manufacturing Order Master File Maintenance (Select) display (AMI7D1) appears again. The order is reactivated. This function key is only valid when the Order status is 45, 50, 55, or 99.

F18 REFRESH SCREEN causes display AMI7D2 to appear as it did when you first selected it.

F19 RETURN TO SELECT causes no file update to occur, and display AMI7D1 to appear again.

Fields

ORDER NUMBER (ORDNO). The number used to identify this order.

ITEM NUMBER (FITEM). The number used to identify the item to be manufactured.

WH (FITWH). The warehouse where the finished item is stored.

REVISION (ITRV). The revision identifier associated with this parent item. This field appears only if EPDM is activated.

DESCRIPTION (FDESC). Type in the description of the item to be manufactured. When printing the Inventory Transaction Register, (AMV3G), the application always uses the description contained in the Item Master file.

The following fields are optional and can be changed.

ORDER STATUS (OSTAT). The Manufacturing Order Status codes.

- 10** Released, but no activity reported.
- 40** Order started. At least one material, outside operation, labor, machine, or miscellaneous charges reported.
- 45** IM material receipt to stock is complete. PC&C has not reported the order as complete (outside operations, labor, machine, and miscellaneous charges).
- 50** Labor activity (OC transaction) is complete. Material receipt is not complete.
- 55** Order complete; includes all material, outside operations, labor, machine, and miscellaneous charges.
- 99** Order canceled; no activity has been reported.

ENG DRAWING (Engineering Drawing Number) (ENGNO). Type in the drawing number that describes the item to be manufactured.

ORDER QUANTITY (ORQTY). Type in the quantity of the item to be manufactured on this order. This field can be changed only if **ORDER STATUS** is 10. Changing **ORDER QUANTITY** in this record also causes the total quantity on order for this item to be recalculated.

If you want to adjust the order quantity when **ORDER STATUS** is not 10, type a value in **QUANTITY DEVIATION**. However, you can change the **Quantity Deviation** field to affect the total quantity open for the order by the following formula:

$$\text{Quantity Open} = \text{Order Quantity} - \text{Quantity Received} - \text{Quantity Scrapped} - \text{Split Order Quantity} + \text{Deviation Quantity}$$

If yield is applied to the order, actual scrap is not subtracted from the order quantity until it exceeds the planned order scrap.

If any part of the order has been allocated, you cannot change the Order Quantity and Quantity Deviation fields.

QUANTITY DEVIATION (QTDEV). Type in the quantity by which the original order quantity changed.

If activity has been reported on the manufacturing order (order status greater than 10), the original order quantity cannot be maintained. However, a positive or negative deviation quantity can be specified. A positive deviation quantity effectively

Contents	Index	Exit
--------------------------	-----------------------	----------------------

increases the open quantity of the manufacturing order end item. A negative deviation quantity effectively decreases the open quantity of the end item. Specifying a deviation quantity in the Manufacturing Order Master record of a manufacturing order whose status is 40 or 50 (activity started, but material is incomplete) correspondingly adjusts the component required quantity in the Manufacturing Order Detail records of the manufacturing order and the Item Balance file allocations for the affected components.

MANAGEMENT PRIORITY (MPROR). This field overrides the priority calculated by PC&C and is used to expedite the order. The higher the number, the higher the priority. For example, 9 is higher than 0 (zero), which is higher than Z, which is higher than A, which is higher than blank.

QUANTITY RECEIVED (QTYRC). Type in the total quantity of the item produced on this order and placed in stock to date.

DEPARTMENT (DPTNO). Type in the department number for the item to be manufactured on this order.

SCRAP QUANTITY (QTSCP). Type in the total quantity to date of the item that failed to pass inspection on this manufacturing order.

STOCK LOCATION (FSKLC). Type in the code used which identifies the physical location where the finished item is to be stored in the warehouse.

SPLIT ORDER QTY (QTSPL). Type in the total quantity removed from the base order quantity for split orders.

JOB NUMBER (JOBNO). Type in the customer job or order number associated with this manufacturing order. Changing the job number does not break the link with the original customer order. All manufacturing order detail records are also updated with this number.

If COM is installed and interfacing with IM, a customer order number includes the company number and order type of the associated customer order.

REFERENCE NUMBER (REFNO). Type in this user-defined field to relate an order to other orders.

SCHED START DATE (SSTDT). Type in the date that work is planned to start on this order. You cannot change this field if PC&C is installed and tailored for backward scheduling and the order status cost is 40 or greater.

PLANNER (PLANN). Type in the code identifying the person responsible for planning the replenishment strategy for this item.

ACTUAL START DATE (ASTDT). Type in the date the order was actually started. You cannot change this field if PC&C is installed and tailored for backward scheduling and the order status cost is 40 or greater.

ORD ACTG CLS (Order Accounting Class). Class, defined by your company, to group or classify orders for accounting purposes.

DUE DATE (ODUDT). Type in the date that the order is due to be completed and the items received into stock.

[Contents](#)[Index](#)[Exit](#)

RESCHEDULE CODE. Type in the code used to indicate whether or not an individual manufacturing order or purchase order line item can be rescheduled automatically by the system.

- 0** Default to item reschedule code. This is the default.
- 1** Cannot be rescheduled automatically.
- 2** Can be scheduled out.
- 3** Can be scheduled in.
- 4** Can be scheduled both out and in.

UNIT COST (CSTPC). Type in the unit cost (from inventory) of the item to be manufactured on this order.

LAST ACTIVITY DATE (LATDT). Type in the last date that activity was reported on this order.

DATE LAST MAINTAINED (MDATE). The date that this record was last maintained appears.

AMI7D3—Manufacturing Order Master File Maintenance (Status)

Use this display to review the number of records maintained in the Manufacturing Order Master file and to end the job.

This display appears when you use **F24** on display AMI7D1.

```
DATE **/**/**  MANUFACTURING ORDER MASTER FILE MAINTENANCE  STATUS  AMI7D3  **  
  
SESSION STATUS  
  
RECORDS CHANGED  * , * * * , * * *  
ORDERS  CANCELED  * , * * * , * * *  
ORDERS  REACTIVATED * , * * * , * * *  
  
MANUFACTURING  
ORDER  
MASTER  
FILE  
  
F24 END OF JOB
```

What to do

- To return to display AMI7D1, press **Enter**.
- To end the session, use **F24**. The Manufacturing Order Master Maintenance Edit List is scheduled for printing. Go to the File Maintenance menu (AMIM70).

Function keys

F24 END OF JOB schedules the Manufacturing Order Master Maintenance Edit List for printing, and causes the File Maintenance menu (AMIM70) to appear again.

Fields

All fields on this display are informational only.

SESSION STATUS. The number of records maintained in the Manufacturing Order Master file during this session.

RECORDS CHANGED. The number of records changed during this session.

ORDERS CANCELED. The number of orders canceled during this session.

ORDERS REACTIVATED. The number of orders reactivated during this session.

[Contents](#)[Index](#)[Exit](#)

Option 6. Mfg Order Detail (AMIM70)

Use this option when you need to add a new component allocation to the Manufacturing Order Detail file or change or delete component allocation information already in the file.

When the quantity per (the quantity of the component item used on each parent item) is changed for a Manufacturing Order Detail record, the total quantity required is also recalculated and changed. Likewise, when the total quantity required is changed, the quantity per is recalculated and changed. If both are changed, the quantity per is recalculated and overrides the quantity per entered by the user. When the total quantity required is changed either by you or by the application, the manufacturing allocation quantity in its associated Item Balance record is also adjusted. If allocations exist for a deleted component, the allocations are deleted with the item.

If EPDM is activated, you can enter or change a component's revision number.

What information you need: Completed form IM-15.

What reports are printed: Manufacturing Order Detail Maintenance Edit List (AMI7E).

What forms you need: Form IM-15.

The basic steps to maintain files follow each display.

AMI7E1—Manufacturing Order Detail File Maint. (Select)

Use this display to choose the component material allocation record you want to maintain, and the type of maintenance you want to do.

This display appears when you select option 6 on the IM File Maintenance menu (AMIM70), select option 4 on the PC&C or PM&C File Maintenance menu, when you select **F19** or press **Enter** on display AMI7E2 or AMI7E3, or when you press **Enter** on display AMI7E4.

```
DATE **/**/**  MANUFACTURING ORDER DETAIL FILE MAINT.  SELECT  AMI7E1  **  
  
ORDER NUMBER aaaaaA7  COMPONENT aaaaaaaaaaaaA15  WAREHOUSE aA3  
  
A-ADD  
C-CHANGE  
D-DELETE  
  
ACTION A  
  
F24 DISPLAY STATUS
```

What to do

To perform file maintenance on a component material allocation record, type in the order number, component, and warehouse (if requested), and the action code and press **Enter**. Go to display AMI7E2 to add or change a record, or go to display AMI7E3 to delete a record for the order you entered on this display.

Function keys

F24 DISPLAY STATUS causes the Manufacturing Order Detail File Maintenance (Status) display (AMI7E4) to appear.

Fields

[\[?\]](#) appears next to a field name in the following field definitions to identify a field from which you can begin a master file search.

ORDER NUMBER (ORDNO) [?]. Required. Type in the number of the manufacturing order to be maintained.

COMPONENT (CITEM) [?]. Required. Type in the item number of the component to be added, changed, or deleted.

Contents	Index	Exit
--------------------------	-----------------------	----------------------

WAREHOUSE (CITWH). Required if you have multiple warehouses defined in the Warehouse Master file. Type in the code of the warehouse where the component is stored. If you have only one warehouse, the warehouse defined in the Warehouse Master file appears in this field and cannot be changed.

ACTION. Required. Type in one of the following codes to identify the kind of maintenance to be performed.

- A** Add
- C** Change
- D** Delete

AMI7E2—Manufacturing Order Detail File Maint. (Add or Change)

Use this display to add or change a Manufacturing Order Detail record for the order number entered on display AMI7E1.

This display appears when you enter **A** or **C** in the **ACTION** field on display AMI7E1.

```

DATE *****  MANUFACTURING ORDER DETAIL FILE MAINT.  CHANGE  AMI7E2  **

ORDER NUMBER *****  COMPONENT *****  WAREHOUSE ***  REVISION ****

DESCRIPTION          aaaaaaaaaaaaaaaaaaaaaaaaaA30
REVISION             aaaaA6
TOTAL QUANTITY       nnnnnn.nnn
ADJ QTY PER          nnnnnnn.nnnnnn
STD QTY PER          nnnnnnn.nnnnnn
UNIT COST            nnnnnnnnnn.nnnnnnnn
REQUIRED DATE        nnnnnn
LAST ISSUE DATE      nnnnnn
CUSTOMER JOB NUMBER  aaaaaaaaaA12
OPERATION WHERE USED aaA4
STOCK LOCATION       aaaaaA7
UNIT OF MEASURE      A2
FLOOR STOCK CODE <C/U> A
USER SEQUENCE        aaA4
DATE LAST MAINTAINED *****

                                F02 PAGE FORWARD
                                F18 REFRESH SCREEN
                                F19 RETURN TO SELECT

```

What to do

To add or change the component allocation record, type in the requested information and press **Enter**. Go to display AMI7E1.

Function keys

F02 PAGE FORWARD (applicable to change activity only) causes the next Manufacturing Orders Detail record for the manufacturing order to appear.

F18 REFRESH SCREEN causes display AMI7E2 to appear as it did when you first selected it.

F19 RETURN TO SELECT causes no file updating to occur and display AMI7E1 to appear again.

Fields

The **ORDER NUMBER**, **COMPONENT**, and **WAREHOUSE** fields appear as they were entered on display AMI7E1 and cannot be changed. The **DATE LAST MAINTAINED** field appears only on the Change display, and cannot be changed. All other fields are optional.

DESCRIPTION (CDESC). The description of the component item. When printing the Inventory Transaction Register (AMV3G), the application always uses the description in the Item Master file.

Contents	Index	Exit
--------------------------	-----------------------	----------------------

REVISION. The revision associated with this order number. This field appears only if EPDM is activated.

The following is an overview of the next four fields:

If you type in either the **TOTAL QUANTITY** or the **ADJ QTY PER** field, the application recalculates the other field, keeping the two fields synchronized, based on the contents of the **CALCULATE BY** field. If you type in both quantity fields, the application recalculates the **ADJ QTY PER** field. If a discrete allocation exists for the component, you cannot change either quantity field.

If you type in one or both of these fields and do not type in the **STD QTY PER** field, the application keeps it in synch with the **ADJ QTY PER** field. For a component add, the standard quantity per is set equal to the adjusted quantity per; for a component change, the field is recalculated so that the yield factor does not change (that is, the ratio between the standard quantity per and the adjusted quantity per stays the same).

If you type in the **STD QTY PER** field but do not type in both the **TOTAL QUANTITY** or **ADJ QTY PER** fields, the application does not recalculate either of those fields.

CALCULATE BY ORDER QTY <O> OR OPEN QTY <P>. Accept the default of **O** to use the original order quantity to calculate the total quantity or quantity per. Type in **P** to use the open quantity (order qty + deviation quantity - qty received - qty scrap). The order, or open, quantity is multiplied by the adjusted quantity per you enter on this display to give a new total quantity required for the component, or it is divided into the total quantity you enter on this display to give you a new adjusted quantity per.

TOTAL QUANTITY (QTREQ). Type in the total quantity of this component item required for the manufacturing order. Negative quantities are allowed for use in more accurate calculation of end item cost. Negative quantity components are carried with the end item as a Manufacturing Order Detail record. However, components with negative quantities are not allocated in the **Item Balance manufacturing allocation** field during manufacturing order release. Therefore, these components are not considered during MRP planning after manufacturing order release has occurred.

ADJ QTY PER (Adjusted quantity per) (QTYPRE). Type in the quantity (adjusted for yield) of a component required to produce a single unit of the parent item.

STD QTY PER (Standard quantity per) (SQTYE). Type in, if required, the standard quantity (not adjusted for yield) of a component required to produce a single unit of the parent item. This field is used only to backflush controlled floor stock components "at standard" (floor stock code=C, backflush code =2).

UNIT COST (CSTPC). Type in the cost of a single component item. In Add mode, if you leave this field blank, the unit cost default from the Item Balance record, then Item Master record, is used. The cost used is either standard, average, or last, according to which one you chose during application tailoring.

REQUIRED DATE (REQDT). Type in the date that this component item must be available to the shop floor.

LAST ISSUE DATE (LISDT). Type in the date this component item was last issued for the manufacturing order. In Add mode, if you leave this field blank, and the **TOTAL QUANTITY** field is not 0, the current date is used.

[Contents](#)[Index](#)[Exit](#)

CUSTOMER JOB NUMBER. Type in the customer job or order number associated with this manufacturing order. Changing the job number does not break the link with the original customer order.

If COM is installed and interfacing with IM, a customer order number includes the company number and order type of the associated customer order.

OPERATION WHERE USED (OPRWU). Type in the sequence number of the first operation where this component item is used.

STOCK LOCATION (CSKLC). Type in the stocking location code for this item, as defined in the Item Balance Record.

UNIT OF MEASURE (UNMSR). Type in the unit of measure used for the issue quantity for this component item. In Add mode, if you leave this field blank, the stocking unit of measure is used.

FLOOR STOCK CODE <C/U> (FLSTK). A code used to indicate if the floor stock is controlled. Type in one of the following codes:

blank Not floor stock
C Controlled floor stock
U Uncontrolled floor stock

USER SEQUENCE (USRSQ). This field can be used to control the sequence in which component items are printed on shop packets. If you use this field, you must fill in all four characters.

DATE LAST MAINTAINED (MDATE). The date this record was last maintained appears on the Change display only and cannot be changed.

AMI7E3—Manufacturing Order Detail File Maint. (Delete)

Use this display to delete a Manufacturing Order Detail record for the order number entered on display AMI7E1.

This display appears when you enter **D** in the **ACTION** field on display AMI7E1.

```
DATE ***** MANUFACTURING ORDER DETAIL FILE MAINT.   DELETE   AMI7E3  **

ORDER NUMBER ***** COMPONENT ***** WAREHOUSE ***

DESCRIPTION *****
REVISION *****
TOTAL QUANTITY *****
ADJ QTY PER *****
STD QTY PER *****
UNIT COST *****
REQUIRED DATE *****
LAST ISSUE DATE *****
CUSTOMER JOB NUMBER *****
OPERATION WHERE USED ****
STOCK LOCATION *****
UNIT OF MEASURE **
FLOOR STOCK CODE <C/U> *
USER SEQUENCE ****
DATE LAST MAINTAINED *****

                                F02 PAGE FORWARD
                                F19 RETURN TO SELECT
```

What to do

To confirm that you want to delete the component detail record shown on the display, press **Enter**. Go to display AMI7E1.

Function keys

F02 PAGE FORWARD causes the next detail record to appear, if there are multiple records for the same order number, component, and warehouse (distinguished by different user sequence numbers). If this is the only component or the last component, display AMI7E3 appears again with the same component data. Pressing **F02** does not delete the detail record being displayed.

F19 RETURN TO SELECT causes no file updating to occur and display AMI7E1 to appear again.

Fields

All fields on this display are informational only. Refer to “AMI7E2—Manufacturing Order Detail File Maint. (Add or Change)” for a definition of these fields.

Note: If manufacturing allocations exist for this component, they are also removed from the Item Balance file.

AMI7E4—Manufacturing Order Detail File Maint. (Status)

Use this display to review the number of records maintained in the Manufacturing Order Detail file and to end the job.

This display appears when you use **F24** on display AMI7E1.

```
DATE **/**/**  MANUFACTURING ORDER DETAIL FILE MAINT.  STATUS  AMI7E4  **

                MANUFACTURING
                ORDER
                DETAIL
                FILE

SESSION STATUS

RECORDS ADDED      * ,*** ,***
RECORDS CHANGED   * ,*** ,***
RECORDS DELETED   * ,*** ,***

                                F24 END OF JOB
```

What to do

- To return to display AMI7E1, press **Enter**.
- To end the session, use **F24**. The Manufacturing Order Detail Maintenance Edit List is scheduled for printing. Go to the File Maintenance menu.

Function keys

F24 END OF JOB schedules the Manufacturing Order Detail Maintenance Edit List for printing and causes the File Maintenance menu to appear again.

Fields

SESSION STATUS. The number of records maintained in the Manufacturing Order Detail file during the current session.

RECORDS ADDED. The number of records added during this session.

RECORDS CHANGED. The number of records changed during this session.

RECORDS DELETED. The number of records deleted during this session.

Contents	Index	Exit
--------------------------	-----------------------	----------------------

Option 7. Shop Packet Reprint (AMIM70)

Use this option when you need to reprint a shop packet for an individual manufacturing order that has been changed through Manufacturing Order Detail file maintenance.

Shop packets should always be reprinted following Manufacturing Order Detail file maintenance to accurately reflect the current order material status.

What information you need: None.

What reports are printed: All or some of the following reports are printed, depending upon the options you select on the Shop Packet Options–Individual Orders display and the options you selected during application tailoring:

- Shop Packet Worksheet (AMI411)
- Labor Tickets (AMC350).

What forms you need: None.

The basic steps to maintain files follow each display.

AMI4E6—Shop Packets—Individual Orders—Report Detail

Use this display to specify worksheet print options, separate warehouse pick lists, and labor ticket print format options.

This display appears when you select option 2 on the PC&C Shop Packet Creation menu (AMCM40) or option 3 on the PM&C Reports menu (AMJM20).

Depending on the options selected during application tailoring, each field already contains a Y or N response. Most field values can be changed, but the cursor skips those fields that cannot be changed.

```

DATE **/**/**      SHOP PACKETS - INDIVIDUAL ORDERS      SELECT      AMI4E6  **
                                REPORT DETAIL
MANUFACTURING ORDER NUMBER  aaaaaA7
WORKSHEETS<Y,N>           A      STANDARD COSTS<Y,N>           A
                                ORDER TRACKING DATES<Y,N>       A

MATERIAL DETAIL<Y,N>       A      PRINT COMPONENT BARCODE<Y,N>  A
                                PRINT FLOORSTOCK BARCODE<Y,N>  A
                                PRINT LOCATION BARCODE<Y,N>  A

SEQUENCE<1,2,3>           n

OPERATION DETAIL<Y,N>     A      INACTIVE OPS INCLUDED<Y,N>    A
                                ADDITIONAL DESCRIPTIONS<Y,N>  A
                                STANDARD TIMES<Y,N>           A
                                PRINT OP DETAIL BARCODE<Y,N>  A
                                PRINT MISC CHG BARCODE<Y,N>  A

MISCELLANEOUS DETAIL<Y,N> A

SEPARATE WAREHOUSE PICK LIST<Y,N> A
                                CONSOLIDATED FOR BULK PICK<Y,N>  A
                                PRINT COMPONENT BARCODE<Y,N>  A
                                PRINT FLOORSTOCK BARCODE<Y,N>  A
                                PRINT LOCATION BARCODE<Y,N>  A

                                F24 CANCEL THE JOB

```

What to do

To print an individual shop packet, type in the order number and the options for the shop packet. Press **Enter**. If the display appears again with message AM-3432 SHOP PACKET PREVIOUSLY PRINTED, press **Enter** again. Go to display AMI4E7.

Function keys

F24 CANCEL THE JOB causes the menu from which you started to appear. No shop packet is scheduled for to be printed.

Fields

All of the fields on this display are required.

MANUFACTURING ORDER NUMBER. Type in the manufacturing order number for the shop packet to be printed.

WORKSHEETS <Y/N>. Type in a **Y** to print the shop packet worksheets. A **Y** response is required to select the options for material detail records, operation detail records, or miscellaneous detail records.

STANDARD COSTS <Y/N>. Type in **Y** to print the standard costs on the shop packet worksheets. If NOT CLEARED or NO COSTING appears, you cannot use this option.

ORDER TRACKING DATES <Y/N>. Type in **Y** to print the tracking summary and detail record dates on the shop packet worksheets.

MATERIAL DETAIL <Y/N>. Type in **Y** to print material lists.

PRINT COMPONENT BAR CODE <Y/N>. Type in **Y** to print the component bar code on the shop packet worksheets. This field only appears if PM&C is installed and interfacing with IM.

PRINT FLOORSTOCK BARCODE <Y/N>. Type in **Y** to print the floorstock barcode on the shop packet worksheets. This field appears only if P&C is installed and interfacing with IM.

PRINT LOCATION BAR CODE <Y/N>. Type in **Y** to print the location bar code on the shop packet worksheets. This field only appears if PM&C is installed and interfacing with IM.

SEQUENCE <1/2/3>. This field shows the report sequence answer you gave during application tailoring. You can change this number to select the sequence for component items.

- 1 Item number. Print the shop packet worksheets in item number sequence.
- 2 Warehouse location. Print the shop packet worksheets in warehouse location sequence.
- 3 User sequence number. Print the shop packet worksheets in user sequence number sequence.

OPERATION DETAIL <Y/N>. Type in **Y** to include the operation detail records on the shop packet worksheets. The manufacturing order routing is printed on a new page after the material list.

INACTIVE OPS INCLUDED <Y/N>. Type in **Y** to include inactive operations if a manufacturing order routing is printed.

ADDITIONAL DESCRIPTIONS <Y/N>. Type in **Y** to print additional operation descriptions following the operation detail on the worksheets. If NOT SUPPORTED appears, you cannot use this option.

STANDARD TIMES <Y/N>. Type in **Y** to print standard times. If NOT CLEARED appears, you cannot use this option.

PRINT OP DETAIL BAR CODE <Y/N>. Type in **Y** to print operation detail bar codes on the shop packet worksheets. The default is the value you chose during application tailoring. This field only appears if PM&C is installed and interfacing with PC&C.

MISCELLANEOUS DETAIL <Y/N>. Type in **Y** to include miscellaneous detail records on the shop packet worksheet. The miscellaneous charges list is printed after the manufacturing routing.

PRINT MISC CHG BAR CODE <Y/N>. Type in **Y** to print miscellaneous charge bar codes on the shop packet worksheets. The default is the value you chose

[Contents](#)[Index](#)[Exit](#)

during application tailoring. This field only appears if PM&C is installed and interfacing with PC&C.

SEPARATE WAREHOUSE PICK LIST <Y/N>. Type in **Y** to print a pick list of material only. This report is printed after the worksheets, and can be used instead of or in addition to the worksheet material list. It does not print each warehouse separately.

CONSOLIDATED FOR BULK PICK <Y/N>. Type in one of the following codes:

Y Print the separate warehouse pick list in warehouse location sequence consolidated by item.

N Print the separate warehouse pick list in warehouse location sequence by order.

PRINT COMPONENT BAR CODE <Y/N>. Type in **Y** to print the component bar code on the warehouse pick list. This field only appears if PM&C is installed and interfacing with IM.

PRINT FLOORSTOCK BARCODE <Y/N>. Type in **Y** to print the floorstock barcode on the warehouse pick list. This field appears only if P&C is installed and interfacing with IM.

PRINT LOCATION BAR CODE <Y/N>. Type in **Y** to print the location bar code on the warehouse pick list. This field only appears if PM&C is installed and interfacing with IM.

AMI4E7—Shop Packets—Individual Orders—Additional Report Details

Use this display to specify your pick list, labor ticket, and receiving ticket options.

This display appears when you press **Enter** on display AMI4E6.

```
DATE **/**/**      SHOP PACKETS - INDIVIDUAL ORDERS      SELECT      AMI4E7  **
                   ADDITIONAL REPORT DETAILS

SELECT LOCATIONS TO LIST:                                n
  1 LIST NUMBER NEEDED TO FILL ORDER
  2 LIST NUMBER NEEDED TO FILL ORDER PLUS ADDITIONAL
  3 LIST ALL LOCATIONS FOR ITEM IN WAREHOUSE
  4 LIST NUMBER NEEDED TO FILE PLUS LOW QTY LOCATIONS
IF OPTION 2, ENTER NUMBER OF ADDITIONAL LOCATIONS      nnn
PRINT LOCATION IN:   n   1 LOCATION ORDER   2 FIFO ORDER

PAPER LABOR TICKETS<Y,N>      A      PREPRINTED<Y,N>      A
                               A      BEGINNING OPERATION (OR ALL) aaA4
                               A      TICKETS PER OPERATION   nn
PAPER RECEIVING TICKETS<Y,N>  A      PREPRINTED<Y,N>      A
                               A      NUMBER OF TICKETS       nnnnn

                               F19 RETURN TO SELECT
                               F24 CANCEL THE JOB
```

What to do

To create a shop packet for the order you requested, type in your pick list, labor ticket, and receiving options and press **Enter**. A shop packet is created, and the reports are scheduled for printing. The menu you started from appears again.

Function keys

F19 RETURN TO SELECT causes the Shop Packets—Individual Orders (Select) display (AMI4E6) to appear again, and any data entered to be ignored. You can reselect the options. No report is scheduled for printing.

F24 CANCEL THE JOB cancels the job, and causes the menu from which you started to appear. No report is scheduled for printing.

Fields

Most field values can be changed. If a field cannot be changed, the cursor skips that field.

SELECT LOCATIONS TO LIST. If you select an option that has one or more orders with manufacturing allocations, the locations with allocated quantities are printed first. Then the following location options are printed:

- 1 List number needed to fill order. Selecting this option permits a shop packet to be printed listing the number of locations needed to fill the order. This is the default.

Contents	Index	Exit
-----------------	--------------	-------------

- 2** List number needed to fill order plus additional. Selecting this option permits a shop packet to be printed listing the number of locations needed to fill the order plus an additional number of locations you specify in the Additional Locations field.
- 3** List all locations for item in warehouse. Selecting this option permits a shop packet to be printed listing all locations.
- 4** List number needed to fill plus low qty locations. Selecting this option permits a shop packet to be printed listing the number of locations needed to fill the order plus low quantity locations. Low quantity locations are those containing quantities of 10 percent or less of the order quantity.

ADDITIONAL LOCATIONS. If you typed **2** in the **SELECT LOCATIONS TO LIST** field, type in the number of extra locations to be printed.

PRINT LOCATION IN. Type in one of the following codes:

- 1** Location order. Print pick lists in location order.
- 2** FIFO order. Print pick lists in FIFO date order.

PAPER LABOR TICKETS <Y/N>. Type in **Y** to print paper labor tickets that can be used for reporting operation transactions.

PREPRINTED <Y/N>. Type in one of the following codes:

- Y** Print labor tickets on preprinted forms.
- N** Print labor tickets on blank paper.

Both preprinted forms and blank paper are special forms.

BEGINNING OPERATION (OR ALL). Type in **ALL** to print paper labor tickets for all operations or type in an operation sequence number to print labor tickets for all operations beginning at a specific operation.

TICKETS PER OPERATION. Type in the number of paper labor tickets to be printed for each operation.

PAPER RECEIVING TICKETS <Y/N>. Type in **Y** to print paper receiving tickets that can be used for reporting operation transactions. The paper receiving ticket fields only appear if PM&C is installed and interfacing with IM.

PREPRINTED <Y/N>. Type in one of the following codes:

- Y** Print receiving tickets on preprinted forms.
- N** Print receiving tickets on blank paper.

NUMBER OF TICKETS. Type in the number of receiving tickets that you want printed.

Contents	Index	Exit
--------------------------	-----------------------	----------------------

Option 8. Work with Calendars (AMIM70)

If you select option 8 from the File Maintenance menu, the Work with Calendars display (AMVWWC0R) appears.

AMVWWC0R—Work With Calendars

Use this display to select the calendar you want to change, copy, delete, or display. You can use **F6** to add a new calendar.

This display appears when you select option 8 on the IM File Maintenance menu (AMIM70), option 6 on the PCC File Maintenance menu (AMCM70), or option 5 on the MRP Main menu (AMMM00).

MORE: — + on the right part of the display indicates that more lines are in the list than are currently shown. If you see a minus sign, use **ROLL DOWN** to see elements higher in the list. If you see a plus sign, use **ROLL UP** to see elements lower in the list.

```

Date **/**/**          Work with Calendars          AMVWWCOR   **
Position to calendar . . aaaaaaaA10

Type options; press Enter.
  2=Change  3=Copy  4=Delete  5=Display

Opt Calendar  Def Description
nn ***** * *****
nn ***** * *****
nn ***** * *****
nn ***** * *****
nn ***** * *****
nn ***** * *****
nn ***** * *****
nn ***** * *****
nn ***** * *****

More:

F3=Exit  F5=Refresh  F6=Add  F7=Forward  F8=Backward

```

What to do

To select the calendar you want to view or maintain, type in an option number in the Opt field for the appropriate calendar and press **Enter**. The appropriate display appears for you to continue the task.

Function keys

F3=Exit returns you to the menu where you started.

F5=Refresh causes this display to appear again with the most current information.

F6=Add causes display AMVWWC1R1 to appear where you can begin to create a new calendar.

F7=Forward allows you to scroll to the next page of calendars.

F8=Backward allows you to scroll to the previous page of calendars.

Fields

Position to calendar. If you want a specific calendar to appear at the top of the list in the Calendar field, type in the name of that calendar.

Opt. Type in one of the following:

- 2** CHANGE. Use this option to change an existing calendar. When you use this option, the "AMVWWC1R4—Change Calendar - Header" window appears so you can change the calendar description or change the calendar to/from default status.
- 3** COPY. Use this option to copy an existing calendar. When you use this option, the Copy Calendar window appears so you can enter the new (target) calendar's name and description. When you press **Enter** the window closes, and the new calendar appears as the first entry in the list.
- 4** DELETE. Use this option to delete a calendar that already exists. The system checks to see that the calendar is not being used in the Warehouse Master, Facility Master, or Work Center files and if it is not used, the Delete Calendar Confirmation display (AMVWWC4R) appears when you press **Enter** to give you the opportunity to review the calendars you have selected for deletion. That display is not illustrated in this manual.
- 5** DISPLAY. Use this option to view detailed information about a calendar. When you use this option, the Display Calendar -Header window appears. This window and the windows that follow it are the same as the Change Calendar - Header windows except that all fields are display only.

You can select more than one option before pressing **Enter**. When you press **Enter** all of the options you selected are processed in sequence.

Calendar name. The identifier assigned to the calendar is displayed.

Def. Y or N appears to indicate if this is a default calendar name.

Description. The description of the calendar is displayed.

AMVWWC1R1—Add Calendar Header

Use this display to enter calendar header information for a new calendar. It is the first of two displays you will use.

This display appears when you select **F6=Add** on the Work with Calendars display (AMVWWC0R).

```
Date **/**/**          Add Calendar - Header          AMVWWC1R1  **
Type information, press Enter.                          Page 1 of 2

Calendar name          aaaaaaaaaA10
Calendar description   aaaaaaaaaaaaaaaaaaaaaaaaaaaaaaaaaA35
Default calendar      n      (0=No, 1=Yes)
First year            nnnn
Default daycodes
Sun      N      Valid daycodes:
Mon      -      "- " = Workday
Tue      -      "N" = Non-workday
Wed      -
Thu      -
Fri      -
Sat      N

F5=Refresh      F12=Return
```

What to do

Type in the required information and press **Enter**. Page two (AMVWWC1R2) appears for you to continue the task.

Function keys

F5=Refresh causes this display to appear again with the most current information.

F12=Return returns to the previous display without making any changes.

Fields

Calendar name. Type in the unique identifier you want to use for this calendar.

Calendar description. Type in the unique description you want to use for this calendar.

Default calendar (Default). Type **0** or **1** to indicate if this is a default calendar name.

First year. Type in the first year you want to use on this calendar.

Default daycodes. Accept the default day codes or type in the ones you want to use for this calendar.

AMVWWC1R2—Add Calendar Header

Use this display to enter calendar header information for a new calendar. It is the second of two displays you will use.

This display appears when you press **Enter** on the Add Calendar - Header display (AMVWWC1R1).

Date **/**/**	Add Calendar - Header	AMVWWC1R2	**
Type information, press Enter.		Page 2 of 2	
Manufacturing period type	n	0=12 monthly periods/year 1=13 four-week periods/year 2=12 four or five week periods/year	
Mfg. period type '2' only:			
Quarter 1-weeks/period	nnn	(445-454-544)	
Quarter 2-weeks/period	nnn		
Quarter 3-weeks/period	nnn		
Quarter 4-weeks/period	nnn		
First day of schedule week	n	(1=Sun, 2-6=Mon-Fri, 7=Sat)	
F5=Refresh F12=Return			

What to do

Type in the required information and press **Enter**. The Edit Calendar - Years display appears for you to continue the task.

Function keys

F5=Refresh causes this display to appear again with the most current information.

F12=Return returns to the previous display without making any changes.

Fields

Manufacturing period type. Type in the type of period you want to use for this calendar. If you enter period type **2**, you must complete the next field as well.

Mfg. period type '2' only. Type in the unique periods for each quarter.

First day of schedule week. Type in the number that corresponds to the first day of the schedule week for this calendar.

AMVWWC1R3—Edit Calendar - Years

Use this display to select the calendar years you want to change or display.

This display appears when you press **Enter** on the Add Calendar - Header display (AMVWWC1R2). The calendar name and description appears at the top of the display.

```
Date **/**/**           Edit Calendar - Years           AMVWWC1R3  **
Calendar. . . . . : *****  *****

Type information, press Enter.
2=Change  5=Display

Opt      Year
n        ****
n        ****
n        ****
n        ****
n        ****

F3=Exit   F10=Create Calendar  F12=Return
```

What to do

Type in the option for the action you want to perform against a specific year and press **Enter**. The appropriate display appears for you to continue the task.

Function keys

F3=Exit returns you to the Work with Calendars display. A warning pop-up window appears to allow you to create the calendar before exiting.

F10=Create Calendar creates valid work days for this calendar in the Calendar file. and returns you to the Work with Calendars display. A pop-up window appears to allow you to create the calendar before exiting.

F12=Return returns to the previous display without making any changes. A warning pop-up window appears to allow you to create the calendar before returning to the previous display.

Fields

Calendar. The unique identifier for this calendar is displayed.

Opt. Type in **2** to change a year or **5** to display a year in this calendar.

Year. The individual year in this calendar is displayed.

AMVWWC1R4—Change Calendar - Header

Use this display to change calendar header information.

This display appears when you select option **2=Change** on the Work with Calendars-display (AMVWWC1R1). The calendar name and description appears at the top of the display. You can change the description.

```

Date **/**/**          Change Calendar - Header          AMVWWC1R4  **
Type information, press Enter.

Calendar name          *****
Calendar description   aaaaaaaaaaaaaaaaaaaaaaaaaaaaaaaaaA35
Default calendar      n      (0=No, 1=Yes)
First year            ****
Default daycodes
Sun      N      Valid daycodes:
Mon      -      "- " = Workday
Tue      -      "N" = Non-workday
Wed      -
Thu      -
Fri      -
Sat      N
Created date          **/**/**          Changed date          **/**/**
Created time          **.**.**          Changed time          **.**.**
Created by            *****          Changed by            *****

F5=Refresh      F12=Return

```

What to do

Type in the required information and press **Enter**. The information is updated and the Change Calendar - Years display (AMVWWC1R6) appears for you to continue the task.

Function keys

F5=Refresh causes this display to appear again with the most current information.

F12=Return returns to the previous display without making any changes.

Fields

Calendar name. The unique identifier for this calendar is displayed.

Calendar description. Type in the unique description you want to use for this calendar.

Def calendar. If you change this field from 0 (No) to 1 (Yes), a pop-up window appears where you can select a different default calendar name.

First year. The first year used on this calendar is displayed and cannot be changed here.

Contents	Index	Exit
--------------------------	-----------------------	----------------------

Default daycodes. The default day codes are displayed and cannot be changed here.

AMVWWC1R6—Change Calendar - Years

Use this display to select the calendar years you want to change or display.

This display appears when you press **Enter** on the Change Calendar - Header display (AMVWWC1R4). The calendar name and description appears at the top of the display.

```
Date **/**/**          Change Calendar - Years          AMVWWC1R6  **
Calendar. . . . . : *****  *****

Type information, press Enter.
2=Change   5=Display

Opt      Year
n        ****
n        ****
n        ****
n        ****
n        ****

F3=Exit   F6=Add new year  F10=Create Calendar  F12=Return
```

What to do

Type in the option for the action you want to perform against a specific year and press **Enter**. The appropriate display appears for you to continue the task.

Function keys

F3=Exit returns you to the Work with Calendars display. A warning pop-up window appears to allow you to create the calendar before exiting.

F6=Add new year causes a pop-up window to appear that reminds you that this action will drop the first year from the beginning of the calendar and add the next year to the end of the calendar. You can press **Enter** to add new year or use **F12** to return.

F10=Recreate Calendar recreates valid work days for this calendar in the Calendar file. and returns you to the Work with Calendars display. A pop-up window appears to allow you to recreate the calendar before exiting.

F12=Return returns to the previous display without making any changes. A warning pop-up window appears to allow you to create the calendar before returning to the previous display.

Contents	Index	Exit
--------------------------	-----------------------	----------------------

Fields

Calendar name. The unique identifier for this calendar is displayed.

Opt. Type in **2** to change a year or **5** to display a year in this calendar.

Year. The individual year in this calendar is displayed

AMVWWC1R7—Change Calendar - Year

Use this display to select the month you want to change on a calendar.

This display appears when you select option **2=Change** on the Change Calendar - Years display (AMVWWC1R6) or the Edit Calendar - Years display (AMVWWC1R3). The calendar name and description appears at the top of the display.

```

Date **/**/**          Change Calendar - Year          AMVWWC1R7  **
Calendar. . . . . : *****      *****
Calendar year . . . : ****
Type options; press Enter.          Valid Daycodes:
2=Change                             "-" = Workday
                                      "N" = Non-Workday
                                      "H" = Holiday
                                      1111111111222222222233
Opt  Month          1234567890123456789012345678901
n   January        *****
n   February       *****
n   March           *****
n   April           *****
n   May             *****
n   June            *****
n   July            *****
n   August          *****
n   September      *****
n   October        *****
n   November       *****
n   December      *****

F12=Return

```

What to do

Type in the option for the action you want to perform against a specific month and press **Enter**. The appropriate display appears for you to continue the task.

Function keys

F12=Return returns to the previous display without making any changes. A warning pop-up window appears to allow you to create the calendar before returning to the previous display.

Fields

Calendar name. The unique identifier for this calendar is displayed.

Calendar year. The individual year in this calendar is displayed..

Opt. Type in option **2** in the field next to the appropriate month of this individual year. Press **Enter** to display Change Calendar - Month (AMVWWC2R).

AMVWWC2R—Change Calendar - Month

Use this display to make changes to an individual day on a calendar.

This display appears when you select option **2=Change** on the Change Calendar - Year display (AMVWWC1R7) . The calendar name and description and the calendar year and month appear at the top of the display and cannot be changed.

```

Date **/**/**          Change Calendar - Month          AMVWWC2R  **
Calendar . . . . . : *****
Calendar year . . . : **                               Valid Daycodes:
Calendar month . . . : *****                       "-" = Workday
                                                         "N" = Non-workday
                                                         "H" = Holiday
Make changes; press Enter to accept and update.

```

Sunday	Monday	Tuesday	Wednesday	Thursday	Friday	Saturday
						1 N
2 N	3 -	4 -	5 -	6 -	7 -	8 N
9 N	10 -	11 -	12 -	13 -	14 -	15 N
16 N	17 -	18 -	19 -	20 -	21 -	22 N
23 N	24 -	25 -	26 -	27 -	28 -	29 N
30 N	31 -					N

F12=Return

What to do

Type in the changes you want to make and press **Enter**. The Calendar is updated.

Function keys

F12=Return returns to the previous display without making any changes. A warning pop-up window appears to allow you to create the calendar before returning to the previous display.

Fields

Calendar name. The unique identifier for this calendar is displayed.

Calendar year. The individual year in this calendar is displayed..

Calendar month. The individual month of the individual year in this calendar is displayed..

Valid Daycodes. Type in the appropriate Valid Daycode in the field that appears just below each day of the month.

Option 9. Location Control (AMIM70)

If you select option 9 from the File Maintenance menu, the Location Control menu (AMIM79) appears.

Use this menu to display or update location information, add or delete quality control and/or bulk store areas, and audit on hand balances in the Item Balance file and the Location Quantity file.

```
AMIM79                      Inventory Management          *****
                             Location Control

Type option or command; press Enter.

  1. Batch/Lot Quality Control Status
  2. Batch/Lot Numbers
  3. Location Detail
  4. Quality Control Areas
  5. Bulk Store Areas
  6. Location Quantity Audit

==> _____

F3=Exit      F4=Prompt   F9=Retrieve  F10=Actions
F11=Job status F12=Return  F22=Messages
```

Option 1. Batch/Lot Quality Control Status. Use this option to maintain QC due date and FIFO dates or to accept a previously rejected batch. This option updates the Item Balance, Location Quantity, and Transaction History files.

Option 2. Batch/Lot Numbers. Use this option to change batch/lot numbers for specified item/warehouse/location combinations. This option updates the Transaction History and Location Quantity files. You can select this option only if batch/lot control is active.

Option 3. Location Detail. Use this option to create and maintain individual or multiple locations within a specific warehouse. This option is also used to enter or maintain multiple items per location codes or multiple lots per location codes. This option updates the Location Detail, Location Quantity, and Transaction History files.

Option 4. Quality Control Areas. Use this option to create a quality control area, flag an existing area for deletion, or reactivate a previously deleted area. This option updates the Location Detail file.

Option 5. Bulk Store Areas. Use this option to create a bulk store area, flag an existing area for deletion, or reactivate a previously deleted area. This option updates the Location Detail file.

Option 6. Location Quantity Audit. Use this option to print the Location Quantity/Item Balance Audit report.

Contents	Index	Exit
--------------------------	-----------------------	----------------------

Option 1. Batch/Lot Quality Control Status (AMIM79)

Use this option when you want to maintain the QC due date or FIFO date for a given batch/lot or accept a previously rejected batch/lot.

What information you need: None.

What reports are printed: Batch/Lot Quality Control Status (AMIQF).

What forms you need: None.

I

The basic steps to maintain files follow each display.

AMIQF1—Batch/Lot Quality Control Status (Select)

Use this display to change the QC due date, or FIFO date, or to accept a previously rejected batch. You can change the QC due date and FIFO date if the item status is Checked (QC type is 1).

This display appears when you select option 9 on the File Maintenance menu (AMIM70) followed by option 1 from the Location Control menu (AMIM79), or option 5 on the REP File Maintenance menu (AMQM50). If REP is interfacing with IM, two display modes are available: stock location and line location.

```

DATE **/**/**      BATCH/LOT QUALITY CONTROL STATUS  SELECT  AMIQF1  **

ITEM  aaaaaaaaaaA15      BATCH/LOT  aaaaaaaA10

WH    LINE LOCATION                                FIFO DATE
aA3   aaaaA7                                              nnnnnn

```

```

DATE **/**/**      BATCH/LOT QUALITY CONTROL STATUS  SELECT  AMIQF1  **

ITEM  aaaaaaaaaaA15      BATCH/LOT  aaaaaaaA10

WH    STOCK LOCATION                                FIFO DATE
aA3   AISLE  BAY  LEVEL  PALLET  SUBDIV  A
      A2    A2    A      A      A      A
n      n      n      n      n      n      n

LAST RECORD UPDATED *****  ***  *****  *****  *****

                                F08 SHOW LINE LOC
                                F24 DISPLAY STATUS

```

What to do

To change the QC due date or FIFO date or to accept a previously rejected batch/lot, enter the item number, batch/lot number, and location you want to change and press **Enter**. Go to display AMIQF2.

Function keys

F08 SHOW STOCK LOC/LINE LOC allows you to alternate this display between stock location mode and line location mode. This function key is available when REP and IM are interfacing.

F24 DISPLAY STATUS causes display AMIQF3 to appear.

Fields

[?] appears next to a field name in the following field definitions to identify a field from which you can begin a master file search.

ITEM [?]. Required. Type in the item number. You can make changes only to items that are not waiting inspection.

BATCH/LOT (Batch or Lot Number). Type in the batch or lot number for the item. The batch or lot number is required only if the item is Batch/Lot controlled.

STOCK LOCATION.

WH (Warehouse Code). If you have multiple warehouses defined in the Warehouse Master file, type in the code of the warehouse where the stock location is to be created or updated. If you have only one warehouse, the warehouse defined in the Warehouse Master file appears in this field and cannot be changed.

AISLE [?]. Required in stock location mode. Type in the stock location row.

BAY. Type in the vertical aisle location.

LEVEL. Type in the horizontal bay location.

PALLET. Type in the pallet code that indicates the lowest division in an individual bay/level combination.

SUBDIV. Type in the subdivision code that indicates the lowest division in an individual pallet. Depending on what was selected during application tailoring, type in A through E, or 1 through 5.

LINE LOCATION. Required in line location mode. Type in the line location. This field replaces the stock location fields when REP and IM are interfacing.

FIFO DATE (First-In-First-Out Date). Type in the date the item was received in stock, whether at approved or unapproved status. This field appears only if FIFO control is active.

LAST RECORD UPDATED. The item, warehouse, location, and batch/lot numbers for the record last updated during this session.

AMIQF2—Batch/Lot Quality Control Status (Change)

Use this display to change the QC due date or FIFO date for the record entered on display AMIQF1 or to accept a previously rejected batch/lot (QC type is 8). If REP is interfacing, the display appears in the mode you selected on display AMIQF1. Otherwise, the first example is how it will appear.

This display appears when you enter an item number and location code on the Batch/Lot Quality Control Status (Select) display (AMIQF1).

DATE **/**/** BATCH/LOT QUALITY CONTROL STATUS CHANGE AMIQF2 **

ITEM ***** BATCH/LOT *****

WH LINE LOCATION
*** *****

DATE **/**/** BATCH/LOT QUALITY CONTROL STATUS CHANGE AMIQF2 **

ITEM ***** BATCH/LOT *****

WH	STOCK LOCATION			PALLET	SUBDIV	FIFO DATE
***	AISLE	BAY	LEVEL	*	*	**/**/**
	**	**	*			

QC TYPE	QC DUE DATE	FIFO DATE	REASON
n	nnnnn	nnnnn	aaaaA6

F19 RETURN TO SELECT
F24 DISPLAY STATUS

What to do

- To accept a previously rejected batch/lot, type in **1** or **2** in the **QC TYPE** field and press **Enter**. Go to display AMIQF1.
- To change the QC due date or the FIFO date for the batch/lot shown, type in the new date and press **Enter**. Go to display AMIQF1.

Function keys

F19 RETURN TO SELECT causes display AMIQF1 to appear.

F24 DISPLAY STATUS causes display AMIQF3 to appear.

Fields

The **ITEM**, **BATCH/LOT**, **WH**, **LOCATION**, and **FIFO DATE** field values were typed in on display AMIQF1. You can type in or change the following fields.

QC TYPE. A QC type code. When QC type is 8, you must type in **1** for a QC controlled item or **2** for a non-QC controlled item and then type in the other fields to be changed. Otherwise, the application does not process your changes.

- 1** The item has shelf life control and is checked. You cannot change 1.
- 2** The item does not have shelf life control.
- 8** The item has been rejected. You can change 8 to 1 or 2.

QC DUE DATE (Quality Control Due Date). The next required QC inspection date if the QC status is 1. You can type in a different date.

FIFO DATE (First-In-First-Out Date). The date that the item was received in stock, whether at approved or unapproved status. This field appears only if FIFO control is active. You can type in a different date if QC type is 1.

REASON. Type in a code to indicate the reason for accepting the batch or changing either date. This field is printed on the Batch/Lot Quality Control Status report (AMIQF).

AMIQF3—Batch/Lot Quality Control Status (Status)

Use this display to review the number of records maintained in the Location Quantity and Transaction History files and to end the job.

This display appears when you select **F24** on display AMIQF1 or AMIQF2.

DATE **/**/**	BATCH/LOT QUALITY CONTROL STATUS	STATUS	AMIQF3 **
SESSION STATUS	LOCATION QUANTITY FILE	TRANSACTION HISTORY FILE	
RECORDS ADDED		*	***,***
RECORDS CHANGED	*,***,***		
F24 END OF JOB			

What to do

- To end the session, use **F24**. The Batch/Lot Quality Control Status report is scheduled for printing. Go to display AMIM79.
- To return to the display where you selected **F24**, press **Enter**. Go to display AMIQF1 or display AMIQF2.

Function keys

F24 END OF JOB schedules the Batch/Lot Quality Control Status report (AMIQF) for printing and causes the menu to appear.

Fields

SESSION STATUS. The number of records in the Location Quantity and Transaction History files affected during this session.

RECORDS ADDED. The number of records added during this session.

RECORDS CHANGED. The number of records changed during this session.

Contents	Index	Exit
--------------------------	-----------------------	----------------------

Option 2. Batch/Lot Numbers (AMIM79)

Use this option when you want to change a batch/lot number for a specific item and location.

What information you need: None.

What reports are printed: Batch/Lot Numbers (AMIQK).

What forms you need: None.

I

The basic steps to maintain files follow each display.

AMIQK1—Batch/Lot Numbers (Select)

Use this display to select the batch/lot number to be changed and the associated item number and location.

This display appears when you select option 9 on the File Maintenance menu (AMIM70), followed by option 2 from the Location Control menu (AMIM79), or option 6 on the REP File Maintenance menu (AMQM50). If REP is interfacing with IM, two displays modes are available: stock location and line location.

DATE **/**/** BATCH/LOT NUMBERS SELECT AMIQK1 **

ITEM aaaaaaaaaaA15

WH	LINE LOCATION	CURRENT BATCH/LOT	FIFO DATE
aA3	aaaaaA7	aaaaaaaA10	nnnnnn

DATE **/**/** BATCH/LOT NUMBERS SELECT AMIQK1 **

ITEM aaaaaaaaaaA15

STOCK LOCATION						CURRENT BATCH/LOT	FIFO DATE
WH	AISLE	BAY	LEVEL	PALLET	SUBDIV	CURRENT BATCH/LOT	FIFO DATE
aA3	A2	A2	A	A	A	aaaaaaaA10	nnnnnn

LAST RECORD UPDATED ***** *** ***** ***** *****

F08 SHOW LINE LOC
F24 DISPLAY STATUS

What to do

To select the batch/lot you want to change, type in the item number, warehouse code, location, batch/lot number, and FIFO date. Press **Enter**. Go to display AMIQK2.

Function keys

F08 SHOW STOCK LOC/LINE LOC allows you to alternate this display between stock location and line location mode. This function key is available when REP and IM are interfacing.

F24 DISPLAY STATUS causes display AMIQK3 to appear.

Fields

[?] appears next to a field name in the following field definitions to identify a field from which you can begin a master file search.

ITEM [?]. Required. Type in the number of the item associated with the batch/lot number to change.

WH (Warehouse Code). If you have multiple warehouses defined in the Warehouse Master file, type in the code of the warehouse where the stock location is to be created or updated. If you have only one warehouse, the warehouse defined in the Warehouse Master file appears in this field and cannot be changed.

STOCK LOCATION.

aisle [?]. Required in stock location mode. Type in the stock location row.

BAY. Required in stock location mode. Type in the vertical aisle location.

LEVEL. Type in the horizontal bay location.

PALLET. Type in the pallet code that indicates the lowest division in an individual bay/level combination.

SUBDIV. Type in the subdivision code that indicates the lowest division in an individual pallet. Depending on what was selected during application tailoring, type in A through E, or 1 through 5.

LINE LOCATION. Required in line location mode. Type in the line location. This field replaces the stock location fields when REP and IM are interfacing.

CURRENT BATCH/LOT. Type in the batch/lot number to change. Leave this field blank if you are assigning a batch/lot number for the first time. This is the batch/lot number that is passed to history when the record is accepted.

FIFO DATE (First-In-First-Out Date). Type in the date the item was received in stock, whether at approved or unapproved status. If FIFO control is not active, this field does not appear.

LAST RECORD UPDATED. The item number, warehouse, stock location, and new batch/lot numbers for the record last updated during this session.

AMIQK2—Batch/Lot Numbers (Change)

Use this display to enter the batch/lot number change and the reason for the change. The display appears in the mode you selected on display AMIQK1.

This display appears when you enter an item number, location, and batch/lot number on display AMIQK1. If REP is interfacing with IM, two display modes are available: stock location and line location.

DATE **/**/** BATCH/LOT NUMBERS CHANGE AMIQK2 **

ITEM *****

WH	LINE LOCATION	CURRENT BATCH/LOT	FIFO DATE
***	*****	*****	**/**/**

DATE **/**/** BATCH/LOT NUMBERS CHANGE AMIQK2 **

ITEM *****

WH	STOCK LOCATION	PALLET	SUBDIV	CURRENT BATCH/LOT	FIFO DATE
***	AISLE BAY LEVEL	*	*	*****	**/**/**
	NEW BATCH/LOT		REASON		
	aaaaaaaA10		aaaaA6		

F19 RETURN TO SELECT
F24 DISPLAY STATUS

What to do

To change the batch/lot number for the item shown, type in the new batch/lot number and, if needed, the reason for the change. Press **Enter**. Display AMIQK2 appears again to continue file maintenance.

Function keys

F19 RETURN TO SELECT causes display AMIQK1 to appear.

F24 DISPLAY STATUS causes display AMIQK3 to appear.

Contents	Index	Exit
--------------------------	-----------------------	----------------------

Fields

The **ITEM**, **WH**, a location, **CURRENT BATCH/LOT**, and **FIFO DATE** fields were typed in on display AMIQK1.

NEW BATCH/LOT. Required. Type in the batch/lot number to replace the current number.

REASON. Type in a code to indicate the reason for changing the batch/lot number.

AMIQK3—Batch/Lot Numbers (Status)

Use this display to review the number of records maintained in the Location Quantity and Transaction History files and to end the job.

This display appears when you select **F24** on display AMIQK1 or AMIQK2.

DATE **/**/**	BATCH/LOT NUMBERS	STATUS	AMIQK3 **
		LOCATION QUANTITY FILE	TRANSACTION HISTORY FILE
SESSION STATUS			
RECORDS ADDED	* , *** , ***	* , *** , ***	
RECORDS CHANGED	* , *** , ***	* , *** , ***	
			F24 END OF JOB

What to do

- To end the session, use **F24**. The Batch/Lot Numbers report is scheduled for printing. Go to display AMIM79.
- To return to the display where you selected **F24**, press **Enter**.

Function keys

F24 END OF JOB schedules the Batch/Lot Numbers report (AMIQK) for printing and causes the menu to appear.

Fields

SESSION STATUS. The number of records maintained in the Location Quantity and Transaction History files during this session.

RECORDS ADDED. The number of records added during this session.

RECORDS CHANGED. The number of records changed during this session.

[Contents](#)[Index](#)[Exit](#)

Option 3. Location Detail (AMIM79)

Use this option when you want to create or update stock locations and assign the multiple items or multiple lots per location codes. You can also assign item quantities to specific locations or change item quantities in a given location.

What information you need: None.

What reports are printed: One of the following reports is printed depending on the option you select on the Location Detail (Select) display (AMIXK1):

- Location Detail–Individual Locations (AMICA)
- Location Detail–Multiple Locations (AMICB)
- Location Detail–Location Quantities (AMIZD)
- Location Detail–Location Detail (AMIXK).

Note: A Location Detail report is printed at the end of your session.

What forms you need: None.

The basic steps to print a report follow each display.

AMIXK1—Location Detail (Select)

Use this display to select options for adding or maintaining locations or location quantity detail information.

This display appears when you select option 9 on the File Maintenance menu (AMIM70), followed by option 3 from the Location Control menu (AMIM79) or option 7 on the REP File Maintenance menu (AMQM50).

```
DATE **/**/**          LOCATION DETAIL          SELECT    AMIXK1  **

                        OPTION  n
                        1  INDIVIDUAL LOCATIONS
                        2  MULTIPLE LOCATIONS
                        3  LOCATION QUANTITIES

                                                                F24 DISPLAY STATUS
```

What to do

- To create, change, or delete individual locations within a warehouse, select option 1 and press **Enter**. Go to display AMICA1.
- To create or delete multiple locations within a warehouse, select option 2 and press **Enter**. Go to display AMICB1.
- To assign or change location quantities, select option 3 and press **Enter**. Go to display AMIZD1.

Function keys

F24 DISPLAY STATUS causes display AMIXK2 to appear.

Contents	Index	Exit
--------------------------	-----------------------	----------------------

Fields

OPTION. Required. Type in one of the following:

- 1** Individual locations. Create, change or delete individual locations within a warehouse. This option is also used to assign the multiple items or multiple lots per location codes.
- 2** Multiple locations. Create or delete multiple locations within a warehouse. This option is also used to assign the multiple items or multiple lots per location codes.
- 3** Location quantities. Assign item quantities to specific locations or to change item quantities in a given location.

AMICA1—Location Detail—Individual Locations (Select)

Use this display to enter the warehouse code, location, and maintenance action for the record you want to add, change, or delete.

This display appears when you select option 1 on the Location Detail (Select) display (AMIXK1). If REP is interfacing with IM, two display modes are available: stock location and line location.

DATE **/**/** LOCATION DETAIL SELECT AMICA1 **

INDIVIDUAL LOCATIONS

WH LINE LOCATION

aA3 aaaaaA7

DATE **/**/** LOCATION DETAIL SELECT AMICA1 **

INDIVIDUAL LOCATIONS

STOCK LOCATION

WH	AISLE	BAY	LEVEL	PALLET	SUBDIVISION
aA3	A2	A2	A	A	A

ACTION A

 A-ADD
 C-CHANGE
 D-DELETE

LAST LOCATION UPDATED *** *****

F08 SHOW LINE LOC
F19 RETURN TO SELECT
F24 DISPLAY STATUS

What to do

- To create an individual stock location, type in the warehouse code, location, and action code **A**. Press **Enter**. Go to display AMICA2.
- To change the multiple items or multiple lots per location codes for an existing location, type in the warehouse code, location, and action code **C**. Press **Enter**. Go to display AMICA2.
- To delete an existing location, type in the warehouse code, location, and action code **D**. Press **Enter**. Go to display AMICA3.

Function keys

F08 SHOW STOCK LOC/LINE LOC allows you to alternate this display between stock location and line location mode. This function key is available when REP and IM are interfacing.

Contents	Index	Exit
--------------------------	-----------------------	----------------------

F19 RETURN TO SELECT schedules the Location Detail – Individual Locations report (AMICA) for printing and causes the Location Detail (Select) display (AMIXK1) to appear.

F24 DISPLAY STATUS schedules the Location Detail – Individual Locations report (AMICA) for printing and causes the Location Detail (Status) display (AMIXK2) to appear.

Fields

WH (Warehouse Code). Required. If you have multiple warehouses defined in the Warehouse Master file, type in the code of the warehouse where the stock location is to be created or updated. If you have only one warehouse, the warehouse defined in the Warehouse Master file appears in this field and cannot be changed.

STOCK LOCATION.

AISLE. Required. Type in the stock location row.

BAY. Required. Type in the vertical aisle location.

The next three fields are required if you select action code C or D and the location you are maintaining is defined to the level, pallet, and/or subdivision.

LEVEL. Type in the horizontal bay location.

PALLET. Type in the pallet code that indicates the lowest division in an individual bay/level combination.

SUBDIVISION. Type in the subdivision code that indicates the lowest division in an individual pallet. Based on what was selected during application tailoring, type in A through E, or 1 through 5. You must build the main location before you can build subdivisions for that location.

LINE LOCATION. Required in line location mode. Type in the line location. This field replaces the stock location fields when REP and IM are interfacing.

ACTION. Required. Type in one of the following codes to indicate the kind of maintenance to be performed:

A	Add
C	Change
D	Delete

LAST LOCATION UPDATED. Required in line locatino mode. The warehouse code and location for the record last updated during this session appears.

AMICA2—Location Detail—Individual Locations (Add or Change)

Use this display to allow multiple item numbers and/or multiple batch/lots to be stored in one location.

This display appears in the maintenance mode selected when you enter A or C in **ACTION** on the Location Detail—Individual Locations (Select) display (AMICA1). If REP is interfacing with IM, two display modes are available: stock location and line location.

DATE **/**/**	LOCATION DETAIL INDIVIDUAL LOCATIONS	*****	AMICA2 **
WH ***	LINE LOCATION *****		

DATE **/**/**	LOCATION DETAIL INDIVIDUAL LOCATIONS	*****	AMICA2 **
WH ***	STOCK LOCATION AISLE BAY LEVEL PALLET SUBDIVISION ** ** * * *		
	MULTIPLE ITEMS A		Y-YES N-NO
	MULTIPLE LOTS A		
			F19 RETURN TO SELECT F24 DISPLAY STATUS

What to do

To assign or change the multiple items or multiple lots per location codes, type in the necessary information and press **Enter**. Go to display AMICA1 to continue file maintenance.

Contents	Index	Exit
--------------------------	-----------------------	----------------------

Function keys

F19 RETURN TO SELECT schedules the Location Detail – Individual Locations report (AMICA) for printing and causes the Location Detail – Individual Locations (Select) display (AMICA1) to appear.

F24 DISPLAY STATUS schedules the Location Detail – Individual Locations report (AMICA) for printing and causes display AMIXK2 to appear.

Fields

In stock location mode, the **WH**, **AISLE**, **BAY**, **LEVEL**, **PALLET**, and **SUBDIVISION** fields were typed in on display AMICA1. In line location mode, **WH** and **LINE LOCATION** were typed in.

You can type in the following fields:

MULTIPLE ITEMS. In Add mode, type in one of the following codes:

- N** No. Can contain only one item. This is the default.
- Y** Yes. Can contain multiple items.

If the MULTIPLE ITEMS field appears in Change mode and the code is Y, it can be changed only if the location is empty. If the code is N, it can be changed at any time.

MULTIPLE LOTS. In Add mode, type in one of the following codes:

- N** No. Can contain only one batch/lot. This is the default.
- Y** Yes. Can contain multiple batch/lots.

If multiple lots appeared in Change mode and the code is Y, it can be changed only if the location is empty. If the code is N, it can be changed at any time.

AMICA3—Location Detail—Individual Locations (Delete)

Use this display to delete the selected Location Detail record.

This display appears when you enter D in **ACTION** on the Location Detail—Individual Locations (Select) display (AMICA1). If REP is interfacing with IM, two display modes are available: stock location and line location.

DATE **/**/**	LOCATION DETAIL INDIVIDUAL LOCATIONS	DELETE	AMICA3 **
WH ***	LINE LOCATION *****		

DATE **/**/**	LOCATION DETAIL INDIVIDUAL LOCATIONS	DELETE	AMICA3 **	
WH ***	STOCK LOCATION AISLE BAY ** **	LEVEL *	PALLET *	SUBDIVISION *
	MULTIPLE ITEMS	*	Y-YES N-NO	
	MULTIPLE LOTS	*		
				F19 RETURN TO SELECT F24 DISPLAY STATUS

What to do

To confirm that you want to delete the location detail shown on the display, press **Enter**. Go to display AMICA1.

Function keys

F19 RETURN TO SELECT schedules the Location Detail – Individual Locations report (AMICA) for printing and causes the Location Detail – Individual Locations (Select) display (AMICA1) to appear.

F24 DISPLAY STATUS schedules the Location Detail – Individual Locations report (AMICA) for printing and causes display AMIXK2 to appear.

Contents	Index	Exit
--------------------------	-----------------------	----------------------

Fields

MULTIPLE ITEMS. Indicates whether the location can contain multiple items.

- N** No. Only one item.
- Y** Yes. Multiple items.

MULTIPLE LOTS. Indicates whether the location can contain multiple batches/lots.

- N** No. Only one batch/lot.
- Y** Yes. Multiple batches/lots.

AMICB1—Location Detail—Multiple Locations (Select)

Use this display to enter the warehouse code, location, and maintenance action for the record.

This display appears when you select option 2 on the Location Detail (Select) display (AMIXK1). If REP is interfacing with IM, two display modes are available: stock location and line location.

```

DATE **/**/**                LOCATION DETAIL                SELECT  AMICB1  **
                               MULTIPLE LOCATIONS

                               WAREHOUSE  aA3
                               LINE LOCATION
FROM      aaaaaA7
TO        aaaaaA7
  
```

```

DATE **/**/**                LOCATION DETAIL                SELECT  AMICB1  **
                               MULTIPLE LOCATIONS

                               WAREHOUSE  aA3                AISLE  A2
                               BAY        LEVEL  PALLET        SUBDIVISION
FROM      A2          A          A          A
TO        A2          A          A          A

                               ACTION  A
                               A-ADD
                               D-DELETE

LAST LOCATION UPDATED  ***  *****

                               F08 SHOW LINE LOC
                               F19 RETURN TO SELECT
                               F24 DISPLAY STATUS
  
```


What to do

- To create multiple locations, type in the warehouse code, location ranges, and action code **A**. Press **Enter**. The display appears again with a message showing the number of records that are created. Press **Enter** again and go to display AMICB2. Pressing **Enter** from display AMICB2 actually creates the records and causes display AMICB1 to appear to continue file maintenance.
- To delete multiple locations, type in the warehouse code, location ranges, and action code **D**. Press **Enter**. The display appears again with a message showing the number of records selected for deletion. Press **Enter** again to delete the records. The records are deleted and display AMICB1 appears to continue file maintenance.

Depending on the number of records selected for update, the processing may take some time. If you should decide not to process the records, select a function key before pressing **Enter**. The update selection is automatically voided.

Function keys

F08 SHOW STOCK LOC/LINE LOC allows you to alternate this display between stock location and line location mode. This function key is available when REP and IM are interfacing.

F19 RETURN TO SELECT schedules the Location Detail – Multiple Locations report (AMICB) for printing and causes the Location Detail (Select) display (AMIXK1) to appear.

F24 DISPLAY STATUS schedules the Location Detail – Multiple Locations report (AMICB) for printing and causes display AMIXK2 to appear.

Fields

WAREHOUSE (Warehouse Code). Required. If you have multiple warehouses defined in the Warehouse Master file, type in the code of the warehouse where the stock location is to be created or updated. If you have only one warehouse, the warehouse defined in the Warehouse Master file appears in this field and cannot be changed.

Stock Location.

aisle. Required. Type in the stock location row.

BAY FROM/TO. Required. Type in the range of vertical aisle locations. If you type in a range in the Level fields, the first character of each Bay field must be equal.

LEVEL FROM/TO. Type in the range of horizontal bay locations.

PALLET FROM/TO. Type in the range of pallet codes that indicate the lowest division in an individual bay/level combination.

SUBDIVISION FROM/TO. Type in the range of subdivision codes that indicates the lowest division in an individual pallet. Depending on what was selected during application tailoring, type in A through E or 1 through 5. To create (add) multiple locations to the subdivision, you must type in the subdivision. When you

Contents	Index	Exit
--------------------------	-----------------------	----------------------

delete multiple locations to the pallet all associated subdivisions are also deleted.

LINE LOCATION FROM/TO. Required in line location mode. Type in a range of line locations. This field replaces the stock location fields when REP and IM are interfacing.

ACTION. Required. Type in one of the following codes to indicate the kind of maintenance to be performed:

A Add
D Delete

LAST LOCATION UPDATED. Required in line location mode. The warehouse code and aisle for the record last updated appears.

AMICB2—Location Detail—Multiple Locations (Add)

Use this display to enter multiple items and/or multiple lots per location codes and to create the records selected on display AMICB1.

This display appears when you enter A in **ACTION** and press **Enter** on the Location Detail—Multiple Locations (Select) display (AMICB1). If REP is interfacing with IM, two display modes are available: stock location and line location.

DATE **/**/**	LOCATION DETAIL MULTIPLE LOCATIONS	ADD	AMICB2 **
	WAREHOUSE ***		
	LINE LOCATION		
FROM	*****		
TO	*****		

DATE **/**/**	LOCATION DETAIL MULTIPLE LOCATIONS	ADD	AMICB2 **
	WAREHOUSE ***	aisle **	
	BAY	LEVEL	PALLET
			SUBDIVISION
FROM	**	*	*
TO	**	*	*
	MULTIPLE ITEMS	A	Y-YES N-NO
	MULTIPLE LOTS	A	
			F19 RETURN TO SELECT F24 DISPLAY STATUS

What to do

To assign multiple items or multiple lots per location codes, type in the code and press **Enter**. The records selected for creation on display AMICB1 are processed. Go to display AMICB1 to continue file maintenance.

Depending on the number of records to be created, the processing may take some time. If you should decide not to process the records, select a function key before pressing **Enter**. The Add function is automatically voided.

Contents	Index	Exit
--------------------------	-----------------------	----------------------

Function keys

F19 RETURN TO SELECT schedules the Location Detail – Multiple Locations report (AMICB) for printing and causes the Location Detail – Multiple Locations (Select) display (AMICB1) to appear.

F24 DISPLAY STATUS schedules the Location Detail – Multiple Locations report (AMICB) for printing and causes display AMIXK2 to appear.

Fields

The field information was entered on display AMICB1 whether for stock location mode or line location mode

You can type in the following fields.

MULTIPLE ITEMS. Type in the code that indicates whether the location can contain multiple items.

N No. Only one item.
Y Yes. Multiple items. This is the default.

MULTIPLE LOTS. Type the code that indicates whether the location can contain multiple batches/lots.

N No. Only one batch/lot.
Y Yes. Multiple batches/lots. This is the default.

AMIZD1—Location Detail—Location Quantities (Select)

Use this display to designate the stock location for a particular item and specific batch/lot.

This display appears when you select option 3 from display AMIXK1. If REP is interfacing with IM, two display modes are available: stock location and line location.

DATE **/**/**	LOCATION DETAIL LOCATION QUANTITIES	SELECT	AMIZD1 **
WH	LINE LOCATION	REASON	
aA3	aaaaA7	aaaaA6	

DATE **/**/**	LOCATION DETAIL LOCATION QUANTITIES	SELECT	AMIZD1 **
STOCK LOCATION			
WH	AISLE	BAY	LEVEL
aA3	A2	A2	A
			PALLET
			A
			SUBDIVISION
			A
REASON			
aaaaA6			
ITEM	aaaaaaaaaaaaA15	BATCH/LOT	aaaaaaaaA10
		FIFO DATE	nnnnnn
LAST UPDATED *** ***** *****			
F08 SHOW LINE LOC F19 RETURN TO SELECT F24 DISPLAY STATUS			

What to do

- To assign item quantities to a specific location during installation, type in the necessary information and press **Enter**. Go to display AMIZD2.
- To change item quantities in a particular location, type in the necessary information and press **Enter**. Go to display AMIZD2.

Make sure that the sum of the quantities for this item in all locations in the Location Quantity file does not exceed the on hand quantity in the Item Balance file. The value in the on hand quantity field does not reflect any items that have a waiting inspection status. These quantities are not added to the Item Balance file until the item is approved. You can use a report or inquiry transaction to check the quantity of items that have a waiting inspection status.

Warning: Changing item quantities can reduce the integrity of your files and should be done with great care.

Contents	Index	Exit
--------------------------	-----------------------	----------------------

Function keys

F08 SHOW STOCK LOC/LINE LOC allows you to alternate this display between stock location and line location mode. This function key is available when REP and IM are interfacing.

F19 RETURN TO SELECT schedules the Location Detail – Location Quantities report (AMIZD) for printing and causes the Location Detail (Select) display (AMIXK1) to appear.

F24 DISPLAY STATUS schedules the Location Detail – Location Quantities report (AMIZD) for printing and causes display AMIXK2 to appear.

Fields

[\[?\]](#) appears next to a field name in the following field definitions to identify a field from which you can begin a master file search.

WH (Warehouse Code). If you have multiple warehouses defined in the Warehouse Master file, type in the code of the warehouse where the stock location is to be created or updated. If you have only one warehouse, the warehouse defined in the Warehouse Master file appears in this field and cannot be changed.

STOCK LOCATION.

AISLE [?]. Required. Type in the stock location row.

BAY. Required. Type in the vertical aisle locations..

LEVEL. Type in the horizontal bay locations.

PALLET. Type in the pallet code that indicates the lowest division in an individual bay/level combination.

SUBDIVISION. Type in the subdivision codes that indicate the lowest division in an individual pallet. Depending on what was selected during application tailoring, type in A through E or 1 through 5.

LINE LOCATION. Type in the line location. This field replaces the stock location fields when REP and IM are interfacing.

REASON. You can type in a code to indicate the reason for adding or changing location quantities.

ITEM [?]. Required. Type in the number of the item associated with the location.

BATCH/LOT (Batch Number or Lot Number). Required. Type in the batch or lot number for the item.

FIFO DATE (First-In-First-Out Date). Type in the date the item was received in stock, whether at approved or unapproved status. This field appears only if FIFO control is active and defaults to the system date.

Contents	Index	Exit
--------------------------	-----------------------	----------------------

LAST UPDATED. The warehouse code, location, and item number for the record last updated appear.

AMIZD2—Location Detail—Location Quantities (Add or Change)

In Add mode, use this display to enter the quantity and detail information for the item being added to the specified location.

In Change mode, use this display to change the item quantity. All other fields are protected and cannot be changed.

This display appears when you assign an item and batch/lot to a location on display AMIZD1. If REP is interfacing with IM, two display modes are available: stock location and line location.

```

DATE **/**/**                LOCATION DETAIL          *****  AMIZD2  **
                              LOCATION QUANTITIES

      WH  LINE LOCATION                REASON
      ***  *****                    *****

DATE **/**/**                LOCATION DETAIL          *****  AMIZD2  **
                              LOCATION QUANTITIES

      STOCK LOCATION
      WH  AISLE  BAY  LEVEL  PALLET  SUBDIVISION  REASON
      ***  **   **   *     *     *             *****
      *****
      ITEM  *****  BATCH/LOT  *****  FIFO DATE  **/**/**
      DESCRIPTION *****

      QUANTITY                ON HAND QTY
      nnnnnn.nnn             *****  ***
      GRN                    QC TYPE
      aaaaaaaaaaaaaaaaaA26    n                QC DUE DATE
                                          nnnnnn

QC TYPE 1 = SHELF LIFE/CHK   QC TYPE 7 = MFG WAITING
QC TYPE 2 = NO SHELF LIFE   QC TYPE 8 = REJECT
QC TYPE 6 = DUE INSPECTION  QC TYPE 9 = PCH WAITING

                                          F19 RETURN TO SELECT
                                          F24 DISPLAY STATUS

```

What to do

- In Add mode, to enter the quantity and detail information for the item at the specific location, press **Enter**. Go to display AMIZD1.
- In Change mode, to change the quantity for the item, press **Enter**. Go to display AMIZD1.
- Changing item quantities can reduce the integrity of your files and should be done with great care.

Function keys

F19 RETURN TO SELECT schedules the Location Detail – Location Quantities report (AMIZD) for printing and causes the Location Detail – Location Quantities (Select) display (AMIZD1) to appear.

Contents	Index	Exit
--------------------------	-----------------------	----------------------

F24 DISPLAY STATUS schedules the Location Detail – Location Quantities report (AMIZD) for printing and causes display AMIXK2 to appear.

Fields

In stock location mode, the **AISLE, BAY, LEVEL, PALLET, SUBDIVISION, REASON, ITEM, BATCH/LOT**, and **FIFO DATE** fields were typed in on display AMIZD1. In line location mode, the **LINE LOCATION** field was typed in. Only the **WH** and **QUANTITY** fields are required on this display. In Add mode, you can type in the following fields, except **DESCRIPTION**. In Change mode, only **QUANTITY** can be changed.

DESCRIPTION. The item description.

QUANTITY. Type in the quantity of the item that is being assigned to this location.

ON HAND QTY. The current on hand quantity as stored in the Item Balance file. This quantity does not include items that are waiting for inspection. Also, this quantity does not include any items that have a waiting status (QC type codes 6, 7, 8, and 9). The total quantity of all locations must be equal to, and cannot be greater than, this quantity in the Item Balance file.

GRN (Goods Received Note Number). Type in the number of the goods received note assigned to the item. This field appears only if the GRN system is active.

QC TYPE (Quality Control Type Code). This field appears only if QC control is active. Type in one of the following:

- 1 Shelf life/chk (shelf life/checked). The item is within shelf life, and inspection not yet required.
- 2 No shelf life. The item does not have shelf life.
If you assign any of the following QC type codes to an item, the quantity is not reflected in the Item Balance file total (**ON HAND QTY** field) until the item is approved.
- 6 Due inspection. The item is waiting for inspection due to expiration of shelf life.
- 7 Mfg waiting (manufactured item waiting). The item is waiting for inspection on receipt.
- 8 Reject. The item is rejected, waiting disposal or rework.
- 9 Pch waiting (purchased item waiting). The item is waiting for inspection on receipt.

QC DUE DATE. Type in the date quality control is due on the item. This field appears only if QC control is active.

AMIXK2—Location Detail (Status)

Use this display to review the number of records maintained in the Location Detail, Location Quantity, and Transaction History files and to end the job.

This display appears when you select **F24** from any of the Location Detail file maintenance displays.

DATE **/**/**	LOCATION DETAIL	STATUS	AMIXK2 **
SESSION STATUS	LOCATION DETAIL FILE	LOCATION QUANTITY FILE	TRANSACTION HISTORY FILE
RECORDS ADDED	*,***,***	*,***,***	*,***,***
RECORDS CHANGED	*,***,***	*,***,***	
RECORDS DELETED	*,***,***		
F24 END OF JOB			

What to do

- To end the session, use **F24**. The report you selected is scheduled for printing. Return to the menu.
- To return to the display where you selected **F24**, press **Enter**.

Function keys

F24 END OF JOB schedules the Location Detail report (AMIXK) for printing and causes the menu to appear.

Fields

SESSION STATUS. The number of records in the Location Detail, Location Quantity and Transaction History files affected during this session.

RECORDS ADDED. The number of records added during this session.

RECORDS CHANGED. The number of records changed during this session.

RECORDS DELETED. The number of records deleted during this session.

Contents	Index	Exit
--------------------------	-----------------------	----------------------

Option 4. Quality Control Areas (AMIM79)

Use this option when you want to add or delete a quality control area in a given warehouse.

What information you need: None.

What reports are printed: Quality Control Areas (AMICC).

What forms you need: None.

The basic steps to maintain files follow each display.

AMICC1—Quality Control Areas (Select)

Use this display to create or delete a quality control area.

Note: This maintenance option can take some time to process, as records are added or deleted for each maintenance option selected.

This display appears when you select option 9 from the File Maintenance menu (AMIM70), followed by option 4 from the Location Control menu (AMIM79).

```
DATE **/**/**          QUALITY CONTROL AREAS          SELECT          AMICC1  **

WAREHOUSE              aA3
QUALITY CONTROL AREA <1 TO 99> nn

                          A - ADD
                          D - DELETE

ACTION                 A

LAST UPDATED *** **

F24 DISPLAY STATUS
```

What to do

To create or delete a quality control area, type in the requested information, and press **Enter**. The Location Detail file is updated and display AMICC1 appears again.

Function keys

F24 DISPLAY STATUS causes display AMICC2 to appear.

Fields

All of the following fields are required.

WAREHOUSE. If you have multiple warehouses defined in the Warehouse Master file, type in the code of the warehouse for the quality control area you want to maintain. If you have only one warehouse, the warehouse defined in the Warehouse Master file appears in this field and cannot be changed.

QUALITY CONTROL AREA <01 to 99>. Type in the number from 01 through 99 that indicates the quality control area to be maintained. The **WAREHOUSE LOCATION** field contains QC in the **aisle** field and 01 through 99 in the **BAY** field.

Contents	Index	Exit
--------------------------	-----------------------	----------------------

ACTION. Type in one of the following codes to indicate the kind of maintenance to be performed.

A Add. Add the quality control area to the warehouse.

D Delete. Delete the quality control area from the warehouse. You can delete any quality control area as long as it does not contain stock.

LAST UPDATED. The warehouse code and quality control area for the record last maintained during this session appear.

AMICC2—Quality Control Areas (Status)

Use this display to review the number of records maintained in the Location Detail file and to end the job.

This display appears when you select **F24** from the Quality Control Areas (Select) display (AMICC1).

DATE **/**/**	QUALITY CONTROL AREAS	STATUS	AMICC2 **
SESSION STATUS	LOCATION DETAIL FILE		
RECORDS ADDED	* , ** , ***		
RECORDS DELETED	* , ** , ***		
			F24 END OF JOB

What to do

To end the session, review the information and press **F24**. The Quality Control Areas report is scheduled for printing, and the Location Control menu (AMIM79) appears.

Function keys

F24 END OF JOB schedules the Quality Control Areas report (AMICC) for printing and causes the Location Control menu (AMIM79) to appear.

Fields

SESSION STATUS. The number of records in the Location Detail file affected during this session.

RECORDS ADDED. The number of records added during this session.

RECORDS DELETED. The number of records deleted during this session.

Contents	Index	Exit
--------------------------	-----------------------	----------------------

Option 5. Bulk Store Areas (AMIM79)

Use this option when you want to add or delete a bulk store area in a given warehouse.

What information you need: None.

What reports are printed: Bulk Store Areas (AMICD).

What forms you need: None.

The basic steps for file maintenance follow each display.

AMICD1—Bulk Store Areas (Select)

Use this display to create or delete a bulk store area.

Note: This maintenance option may take some time to process because records are added or deleted for each maintenance option selected.

This display appears when you select option 9 from the File Maintenance menu (AMIM70), followed by option 5 from the Location Control menu (AMIM79).

```
DATE **/**/**          BULK STORE AREAS          SELECT  AMICD1  **

WAREHOUSE              aA3
BULK STORE AREA <1 TO 99>  nn

                        A - ADD
                        D - DELETE

ACTION                 A

LAST UPDATED *** **

F24 DISPLAY STATUS
```

What to do

To create or delete the bulk storage area, type in the requested information and press **Enter**. The Location Detail file is updated and display AMICD1 appears.

Function keys

F24 DISPLAY STATUS causes display AMICD2 to appear.

Fields

All of the following fields are required.

WAREHOUSE. If you have multiple warehouses defined in the Warehouse Master file, type in the code of the warehouse in which you want to maintain the bulk store area. If you have only one warehouse, the warehouse defined in the Warehouse Master file appears in this field and cannot be changed.

BULK STORE AREA <01 to 99>. Type in a number from 01 through 99 that indicates the bulk store area to be maintained. The **WAREHOUSE LOCATION** field in the Location Detail file will contain the code ST in the **aisle** field and a value from 01 to 99 in the **BAY** field. ST01 is reserved as the WIP area. See Chapter 2, "Managing Inventory Management" for more information.

Contents	Index	Exit
--------------------------	-----------------------	----------------------

ACTION. Type in one of the following fields to identify the kind of maintenance to be performed.

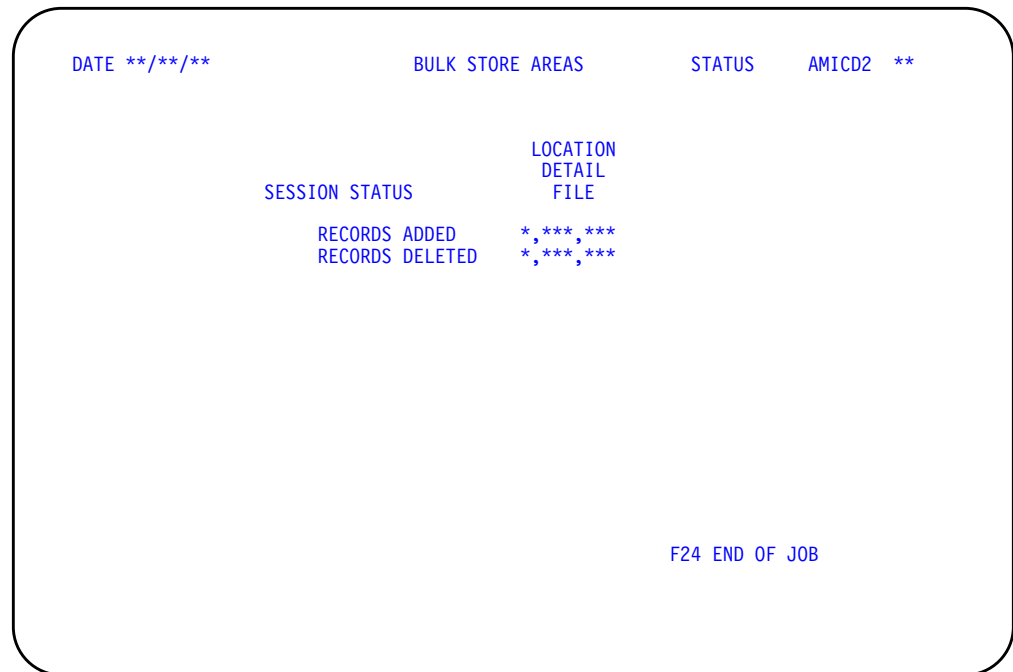
- A** Add. Add the bulk store area to the warehouse.
- D** Delete. Delete the bulk store area from the warehouse. You can delete any bulk store area, as long as it does not contain stock.

LAST UPDATED. The warehouse code and bulk store area for the record last maintained during this session appear.

AMICD2—Bulk Store Areas (Status)

Use this display to review the number of records maintained in the Location Detail file and to end the job.

This display appears when you press **F24** from the Bulk Store Areas (Select) display (AMICD1).



What to do

To end the session, review the records and press **F24**. The Bulk Store Areas report is scheduled to print and the Location Control menu (AMIM79) appears.

Function keys

F24 END OF JOB schedules the Bulk Store Areas report (AMICD) for printing and causes the Location Control menu (AMIM79) to appear.

Fields

SESSION STATUS. The number of records in the Location Detail file affected during this session.

RECORDS ADDED. The number of records added during this session

RECORDS DELETED. The number of records deleted during this session.

[Contents](#)[Index](#)[Exit](#)

Option 6. Location Quantity Audit (AMIM79)

Use this option when you want to print the Location Quantity/Item Balance Audit report.

What information you need: None.

What reports are printed:

- Location Quantity/Item Balance Audit Summary report (AMIC21)
- Location Quantity/Item Balance Audit Detail report (AMIC22)

What forms you need: None.

The basic steps for file maintenance follow each display.

AMICK1—Location Quantity Audit (Select)

Use this display to print the Location Quantity/Item Balance Audit report (AMIC21 and AMIC22). Quantities in the Location Quantity and Item Balance files are listed, but the files are not updated. Request this report only for a controlled warehouse.

This display appears when you select option 9 from the File Maintenance menu (AMIM70), followed by option 6 from the Location Control menu (AMIM79).

```
DATE **/**/**      LOCATION QUANTITY AUDIT      SELECT      AMICK1  **

                                     WAREHOUSE aA3

Select a warehouse, or leave blank to process all controlled warehouses.

REPORT FORMAT  n
               1 Summary
               2 Detail

                                     F24 CANCEL JOB
```

What to do

To print the report, type in your options and press **Enter**. The selected format of the report is scheduled to print and the Location Control menu (AMIM79) appears.

Function keys

F24 CANCEL JOB causes the Location Control menu (AMIM79) to appear.

Fields

WAREHOUSE. If you have multiple warehouses defined in the Warehouse Master file, type in the code of the warehouse for which you want the report. Leave this field blank for a report showing all controlled warehouses. If you have only one warehouse, the warehouse defined in the Warehouse Master file appears in this field and cannot be changed.

REPORT FORMAT. Type in one of the following codes to select a report format:

- 1 Summary
- 2 Detail

[Contents](#)[Index](#)[Exit](#)

Option 10. On-Order Quantity Audit (AMIM70)

Use this option when you need to verify the on-order quantities in the Item Balance file.

This option accumulates the purchase and manufacturing on-order quantities from the Purchase Order Item Detail and Manufacturing Order Master files and compares them to the on-order quantities in the Item Balance file. Any item/warehouse that is out of balance is listed, and its Item Balance record is updated to agree with the Purchase Order Item Detail and Manufacturing Order Master files for that item.

Note: The Item Balance, Purchase Order Item Detail and Manufacturing Order Master files are exclusively dedicated to the On-order Quantity Audit. This option should be scheduled for a time when those files are not being used by another task. If a task is selected when the On-order Quantity Audit is active, the system issues error message SYS-1172 FILE (file label) IS CURRENTLY NOT AVAILABLE. Responding to this message with the available options does not endanger data integrity.

What information you need: None.

What reports are printed: Purchase/Mfg On-Order Audit Exception List (AMI9C2).

What forms you need: None.

No displays are associated with this option.

Contents	Index	Exit
--------------------------	-----------------------	----------------------

Option 11. Allocation Quantity Audit (AMIM70)

Use this option when you need to verify the manufacturing allocation quantities or pick requirements in the Item Balance file.

This option accumulates the manufacturing allocation quantities from the Manufacturing Order Detail file and compares them to the manufacturing allocation quantities in the Item Balance file. If COM is installed and interfacing with IM, this option also accumulates the customer order allocation quantities in the Item Balance file. Any item/warehouse which is out of balance is listed, and its Item Balance record is updated to agree with the Customer Order Detail records for that item.

Note: This option should be scheduled for a time when the following files are not being used by another task:

- Item Balance
- Customer Order Detail
- Manufacturing Order Detail
- Customer Order Master
- Manufacturing Order Master
- Order Release Data Entry—Material Detail

What information you need: None.

What reports are printed:

- Mfg Allocation Audit Exception List (AMI9A2)
- Pick Requirements Audit Exception List (AMI9D).

What forms you need: None.

No displays are associated with this option.

Contents	Index	Exit
--------------------------	-----------------------	----------------------

Option 12. Work With Warehouses (AMIM70)

Use this option when you need to create, change, delete, or display information about warehouses.

If Maintenance Management System (MMS) is integrated and the selected warehouse information is also in MMS, it must be defined as uncontrolled.

What information you need: None.

What reports are printed: None.

What forms you need: None.

The basic steps to maintain files follow each display.

AMVW21—Work With Warehouses

Use this display to select the warehouses you want to create, change, delete, or display. You can access a CAS display that allows you to grant to revoke user authorizations for the tasks secured by warehouse. You also can view or maintain warehouse planning and demand relationships. If EPDM is activated, the Site field identifies the site associated with the warehouse.

This display appears when you select option 12 on the IM File Maintenance menu (AMIM70) or option 5 on the MRP Demand Management menu (AMMM10).

MORE: — + on the right part of the display indicates that more lines are in the list than are currently shown. If you see a minus sign, use **ROLL DOWN** to see elements higher in the list. If you see a plus sign, use **ROLL UP** to see elements lower in the list.

Note: The descriptions for this display refer to a fast path line, which is the first blank line on the display after the **OPT**, **WHS ID**, and **SITE** field headings.

```

DATE **/**/**           WORK WITH WAREHOUSES           AMVW21  **
POSITION TO WAREHOUSE . .  aA3

TYPE OPTIONS, PRESS ENTER.
  1=CREATE  2=CHANGE  4=DELETE  5=DISPLAY  11=AUTHORIZE USERS
  30=WAREHOUSE RELATIONSHIPS

                                MORE: - +
                                PRIMARY
OPT  WHS  ID  SITE  DESCRIPTION              WHS  SELLING  PLANNING  PLANNING
A2   ID  SITE  DESCRIPTION              TYPE  WHS CODE  WHS CODE  WHS
A2   ***  ***  *****
A2   ***  ***  *****
A2   ***  ***  *****
A2   ***  ***  *****
A2   ***  ***  *****
A2   ***  ***  *****
A2   ***  ***  *****
A2   ***  ***  *****
A2   ***  ***  *****
A2   ***  ***  *****
A2   ***  ***  *****
A2   ***  ***  *****
A2   ***  ***  *****
A2   ***  ***  *****
A2   ***  ***  *****
A2   ***  ***  *****
A2   ***  ***  *****
A2   ***  ***  *****
A2   ***  ***  *****
A2   ***  ***  *****

ROLL UP/DOWN  F17=SUBSET  F18=REFRESH  F24=EXIT
  
```

What to do

To select the warehouses you want to view or maintain, type in an option number in the OPT field for the appropriate warehouse and press **Enter**.

- If you type **1** in the first **OPT** field and a warehouse ID in the WHS ID field, display AMVW31 appears.
- If you type **2** in one or more **OPT** fields, display AMVW32 appears.
- If you type **4** in one or more **OPT** fields, display AMVW41 appears.
- If you type **5** in one or more **OPT** fields, display AMVW33 appears.
- If you type **11** in one or more **OPT** fields, CAS display AMZCDDFR appears.
- If you type **30** in one or more **OPT** fields, the MRP Work with Warehouse Relationships display (AMMAA1) appears.

Function keys

ROLL UP/DOWN allows you to scroll up and down through the list of warehouses.

F17 SUBSET causes the Subset Warehouse display (AMVW22) to appear.

F18 REFRESH causes this display to appear again with the most current information from the Warehouse Master file.

F24 EXIT returns you to the menu.

Fields

POSITION TO WAREHOUSE. If you want a specific warehouse to appear at the top of the list in the WHS ID field, type in the name of that warehouse.

OPT. Type in one of the following:

- 1** CREATE. Use this option to add a new warehouse to the Warehouse Master file. You can use option 1 only on the fast path line.
- 2** CHANGE. Use this option to change a warehouse that already exists in the Warehouse Master file. Type **2** in the **OPT** field next to the warehouse you want to change or type in **2** and the specific warehouse ID on the fast path line.
- 4** DELETE. Use this option to delete a warehouse that already exists in the Warehouse Master file. Type **4** in the **OPT** field next to the warehouse you want to delete or type in **4** and the specific warehouse ID on the fast path line.

The Delete Warehouse Confirmation display (AMVW41) appears when you press **Enter** after using option 4 to give you the opportunity to review the warehouses you have selected for deletion.
- 5** DISPLAY. Use this option to view detailed information about a warehouse that already exists in the Warehouse Master file. Type **5** in the **OPT** field next to the warehouse you want to view or type in **5** and the specific warehouse ID on the fast path line.
- 11** AUTHORIZE USERS. Use this option to grant or revoke user authorizations for the tasks that are secured in this warehouse. Type **11** in the **OPT** field next to the warehouse you want to authorize users for or type **11** and the specific warehouse ID on the fast path line.
- 30** WAREHOUSE RELATIONSHIPS. Use this option to view or maintain all of the warehouse planning and demand relationships. Type **30** in the **OPT** field next to the warehouse whose warehouse relationships you want to work with or type in **30** and the specific warehouse ID on the fast path line.

You can select more than one option before pressing **Enter**. When you press **Enter** all of the options you selected are processed in sequence. If you type an option on the fast path line you must also type in a warehouse ID.

Contents	Index	Exit
--------------------------	-----------------------	----------------------

WHS ID. Do any of the following:

- Type in a warehouse ID on the fast path line.
- Review the list of all warehouses currently defined.
- Review the list of warehouses beginning with the warehouse you type in the **POSITION TO WAREHOUSE** field.

SITE. A three character identifier which indicates the source of engineering records to be used in manufacturing order entry and release. The entry indicates the source of engineering records is a specific site in the EPDM application.

Sites may be added to the warehouse master to pre-set the values before activating EPDM. After EPDM is activated, the site value is defaulted and mandatory for future warehouse creates.

The following fields show current warehouse information:

DESCRIPTION. The description of the warehouse.

WHS TYPE. The code that identifies if this is a controlled or uncontrolled warehouse.

- 1** Controlled. A warehouse where an item can be stocked in more than one location and can optionally carry quality control codes, batch/lot numbers, and FIFO dates.
- 2** Uncontrolled. A warehouse where an item can be stocked in only one location. Quality control, batch/lot control, and FIFO tracking are not available.

SELLING WHS CODE. The code that identifies if this is a selling warehouse.

- 0** Non-selling
- 1** Selling.

For more information on selling and non-selling warehouses refer to the *Forecasting User's Guide*.

PLANNING WHS CODE. The code that identifies a demand or planning warehouse. This field is applicable only if IM and MRP are interfacing.

- 0** Demand. A warehouse used as a distribution point. This warehouse cannot have a material plan (as generated by MRP) and does not support many of MRP's functions. Several demand warehouses can be associated with a single planning warehouse.
- 1** Planning. A warehouse used as a manufacturing facility. This warehouse can have a material plan (as generated by MRP) and supports all of MRP's functions.

For more information on planning and demand warehouses refer to the *Material Requirements Planning User's Guide*.

PRIMARY PLANNING WHS. This field contains either *NONE or the specific warehouse ID of the warehouse that plans demand for the warehouse identified in the WHS ID field.

Contents	Index	Exit
--------------------------	-----------------------	----------------------

***NONE** If this field contains *NONE, the items in the warehouse identified in the **WHS ID** field are not planned in any warehouse unless an item override exists.

**** *** If this field contains a specific warehouse ID (where * * * is the warehouse ID), the warehouse identified in this field plans demand for the items in the warehouse identified in the **WHS ID** field. If the warehouse in the **WHS ID** field is a planning warehouse (**PLANNING WHS CODE** is not 1), the warehouse identified in this field must match the warehouse in the **WHS ID** field (**WHS ID** is not **PRIMARY PLANNING WHS**). All items in a planning warehouse are planned within that warehouse unless a global override exists for a specific item.

AMVW22—Subset Warehouse

Use this display to specify which warehouses you want to include on the Work With Warehouses display (AMVW21). This display allows you to select a subset of all defined warehouses to view. If EPDM is installed and activated, you also can select the engineering sites you want to use.

This display appears when you use **F17 SUBSET** on the Work With Warehouses display (AMVW21).

The field descriptions for this display refer to * (asterisk) as a wild card character. A wild card character stands for any series of characters. For example, typing in A* would select all warehouse IDs beginning with A.

```
DATE **/**/**          SUBSET WAREHOUSE          AMVW22 **
TYPE INFORMATION, PRESS ENTER.
SITE . . . . . aaA4  (*ALL, GENERIC*, SPECIFIC)
WAREHOUSE ID . . . . . aaA4  (*ALL, GENERIC*, SPECIFIC)
WAREHOUSE TYPE . . . . . aaA4  (*ALL, 1=CONTROLLED, 2=UNCONTROLLED)
SELLING WAREHOUSE CODE . . . aaA4  (*ALL, 0=NO, 1=YES)
PLANNING WAREHOUSE CODE . . . aaA4  (*ALL, 0=NO, 1=YES)
PRIMARY PLANNING WAREHOUSE . aaaA5 (*ALL, GENERIC*, *NONE, SPECIFIC)
WAREHOUSE DESCRIPTION . . . . aaaaaaaaaaaaaaaaaaaaaaaaaaaaA30

F18=REFRESH  F19=RETURN
```

What to do

To select warehouses to include in the Work With Warehouses display (AMVW21), type in the warehouse information and press **Enter**. Display AMVW21 appears listing only those warehouses that meet the selections you made on this display.

Function keys

F18=REFRESH restores the display to its status before you made any changes.

F19=RETURN returns you to the Work With Warehouses display (AMVW21).

Fields

SITE. This field appears only if EPDM is installed and activated so you can select the site whose warehouses you want to use. Type in one of the following:

***ALL** All sites are selected.

Contents	Index	Exit
-----------------	--------------	-------------

GENERIC* Type in a series of characters using * as a wild card character. Any site that fits the series of characters and wild cards is selected.

SPECIFIC Type in a specific series of characters. Only the site with that specific identifier is selected.

WAREHOUSE ID. Type in one of the following:

***ALL** All warehouse identifiers are selected.

GENERIC* Type in a series of characters using * as a wild card character. Any warehouse that fits the series of characters and wild cards is selected.

SPECIFIC Type in a specific series of characters. Only the warehouse with that specific identifier is selected.

WAREHOUSE TYPE. Type in one of the following:

***ALL** Both controlled and uncontrolled warehouses are selected.

1 Only controlled warehouses are selected.

2 Only uncontrolled warehouses are selected.

SELLING WAREHOUSE CODE. Type in one of the following:

***ALL** Both selling and non-selling warehouses are selected.

0 Only non-selling warehouses are selected.

1 Only selling warehouses are selected.

PLANNING WAREHOUSE CODE. Type in one of the following:

***ALL** Both demand and planning warehouses are selected.

0 Only demand warehouses are selected.

1 Only planning warehouses are selected.

PRIMARY PLANNING WAREHOUSE. Type in one of the following:

***ALL** All primary planning warehouse identifiers are selected.

GENERIC* Type in a series of characters using * as a wild card character. Any warehouse that fits the series of characters and wild cards will be selected.

***NONE** Type in ***NONE**. Only demand warehouses that have no primary planning warehouses are selected.

SPECIFIC Type in a specific series of characters. Only the primary planning warehouse with that specific identifier is selected.

WAREHOUSE DESCRIPTION. Type in up to 30 alphanumeric characters. Warehouse descriptions that contain these characters are selected.

AMVW31—Create Warehouse

Use this display to create or define a new warehouse in the Warehouse Master file. There is more information than will fit on one display so a second page is available.

This display appears when you select option 1 (Create) on the Work With Warehouses display (AMVW21).

```

DATE **/**/**                CREATE WAREHOUSE                AMVW31 **
TYPE INFORMATION, PRESS ENTER.                PAGE 1 of 2

WAREHOUSE ID . . . . . aA3
DESCRIPTION . . . . . aaaaaaaaaaaaaaaaaaaaaaaaaaA30
WAREHOUSE TYPE . . . . . n          (1=CONTROLLED, 2=UNCONTROLLED)
SELLING WAREHOUSE CODE . . . . . n          (0=NO, 1=YES)
PLANNING WAREHOUSE CODE . . . . . n          (0=NO, 1=YES)
PRIMARY PLANNING WAREHOUSE . . . . . aaaA5  (*NONE, SPECIFIC WAREHOUSE)
SITE . . . . . aA3          *****
TAX CITY . . . . . aaaaaaaA10          *****
TAX COUNTY . . . . . aaaaaaaA10          *****
STATE . . . . . A2          *****
COUNTRY . . . . . aA3          *****
POSTAL CODE . . . . . aaaaaaaA10          *****
WAREHOUSE DATA SECURITY GROUP . . . . . aaA4
PICK/SHIP COMPLETE. . . . . n          (1=COMPLETE, 2=NOT COMPLETE)
BACKFLUSH CODE . . . . . n          (1=ADJUSTED, 2=STANDARD)
DEFAULT STAGING LOCATION. . . . . aaaaaA7

F4=PROMPT  F8=FORWARD  F18=REFRESH  F19=RETURN

```

```

DATE **/**/**                CREATE WAREHOUSE                AMVW31 **
TYPE INFORMATION, PRESS ENTER.                PAGE 2 of 2

PLAN EXPECTED CUSTOMER ORDERS . . a          (0=NO, A, B, C, D=INCLUDE THRU)
CONTRACT WAREHOUSE . . . . . n          (0=NO, 1=YES)

SHIPPING CALENDAR ID . . . . . A2          aaaaaaaaaaaaaaaaaaaaaaaaaA25
PRODUCTION CALENDAR ID . . . . . aaaaaaaA10 aaaaaaaaaaaaaaaaaaaaaaaaaA35
RECEIVING CALENDAR ID . . . . . aaaaaaaA10 AAaaaaaaaaaaaaaaaaaaaaaaaaA35

F4=PROMPT  F7=BACKWARD  F18=REFRESH  F19=RETURN

```

What to do

To add a warehouse to the Warehouse Master file, type in the requested information and press **Enter**. The warehouse you have defined is added to the Warehouse Master file.

- If you entered only one option on display AMVW21, a message appears confirming that the record was added and this display is refreshed to allow you to create additional warehouses.
- If you entered more than one option on display AMVW21, the next warehouse you selected to work with appears on display AMVW32, AMVW41, AMVW33, or AMMAA1, depending on the option you chose.

Function keys

F4=PROMPT when used on the Warehouse Data Security Group field shows you the CAS Select Data Group window where you can select or create a security data group for this warehouse. When used on the Calendar ID field a window appears where you can select an appropriate ID.

F7=BACKWARD shows you the previous page of information for this warehouse.

F8=FORWARD shows you the next page of information for this warehouse.

F18=REFRESH restores the display to its status before you made any changes.

F19=RETURN returns you to the Work With Warehouses display (AMVW21).

Fields

WAREHOUSE ID. Type in the code for the warehouse you want to create.

DESCRIPTION. Type in up to 30 alphanumeric characters to identify the warehouse.

WAREHOUSE TYPE. Type in one of the following codes to identify if this is a controlled or uncontrolled warehouse.

- 1** Controlled. A warehouse where an item can be stocked in more than one location and can optionally carry quality control codes, batch/lot numbers, and FIFO dates.
- 2** Uncontrolled. A warehouse where an item can be stocked in only one location. Quality control, batch/lot control, and FIFO tracking are not available.

If this is a warehouse to be used by the Maintenance Management System (MMS), make sure you define it as uncontrolled.

SELLING WAREHOUSE CODE. Type in one of the following codes to identify if this is a selling or non-selling warehouse. This field is applicable only if FCST is installed and interfacing.

- 0** Non-selling
- 1** Selling.

For more information on selling and non-selling warehouses refer to the *Forecasting User's Guide*.

PLANNING WAREHOUSE CODE. Type in one of the following codes to identify if this is a demand or planning warehouse. This field is applicable only if IM, MPSP, and MRP are interfacing.

Contents	Index	Exit
--------------------------	-----------------------	----------------------

- 0** Demand. A warehouse used as a distribution point. This warehouse cannot have a material plan (as generated by MRP) and does not support many of MRP's functions. Several demand warehouses can be associated with a single planning warehouse.
- 1** Planning. A warehouse used as a manufacturing facility. This warehouse can have a material plan (as generated by MRP) and supports all of MRP's functions.

PRIMARY PLANNING WAREHOUSE. Type in one of the following to identify which warehouse plans demand for the warehouse you are creating.

***NONE** Type in *NONE if the items in the warehouse you are creating are not planned in any warehouse unless an item override exists.

SPECIFIC Type in the ID of the specific warehouse that plans demand for the items in the warehouse you are creating. If you are creating a planning warehouse (**PLANNING WAREHOUSE CODE** = 1), the warehouse identified in this field must match the warehouse in the **WAREHOUSE ID** field (**WAREHOUSE ID** = **PRIMARY PLANNING WAREHOUSE**). All items in a planning warehouse are planned within that warehouse unless a global override exists for a specific item.

SITE. A three character identifier to indicate the source of engineering records to be used in manufacturing order entry and release. An entry indicates the source of engineering records is a specific site in the EPDM application.

Using this technique allows multiple warehouses to be assigned to a single site. Multiple warehouses assigned to a site can best be used when multiple warehouses/plants are located in the same geographic region of a country and labor and overhead costs are similar.

TAX CITY. Appears only if IFM is installed. The city, within that state, to be used for tax calculation purposes.

TAX COUNTY. Appears only if IFM is installed. The county, within that state, to be used for tax calculation purposes.

STATE. Identifier for the state where the warehouse is located.

EEC ST CODE. European Economic Community member-state identifier and description for the state where the warehouse is located. This field is output only. It is defined when you create the state code in code file maintenance.

COUNTRY. Identifier for the country where the warehouse is located.

EEC CN CODE. European Economic Community member-state identifier and description for the country where the warehouse is located. This field is output only. It is defined when you create the country code in code file maintenance.

POSTAL CODE. Appears only if IFM is installed. The postal code to be used for tax calculation purposes.

WAREHOUSE DATA SECURITY GROUP. The security group to which this warehouse is assigned. Accept the default or use F4 to see the CAS Select Data Group window where you can select or create a security data group for this warehouse.

Contents	Index	Exit
--------------------------	-----------------------	----------------------

PICK/SHIP COMPLETE. Code used by COM as a default for the ship complete code associated with orders shipped from this warehouse.

- 1 Ship complete.
- 2 Ship incomplete; confirm detail.

BACKFLUSH CODE. A code that indicates how component backflushing for controlled floor stock items is to be done:

- 1 Use the adjusted quantity per to backflush (default).
- 2 Use the standard quantity per to backflush.

DEFAULT STAGING LOCATION. Code defined by your company that identifies the location of the item within the warehouse.

An error message appears if the location does not exist in the location file.

PLAN EXPECTED CUSTOMER ORDERS (ETPO). Type in one of the following codes:

- 0 Do not use expected customer orders in planning.
- A Use only type A (Make) expected customer orders in planning.
- B Use type A (Make) and type B (Buy) expected customer orders in planning.
- C Use type A (Make), type B (Buy), and type C (Firm) expected customer orders in planning.
- D Use type A (Make), type B (Buy), type C (Firm), and type D (Plan) expected customer orders in planning.

SHIPPING CALENDAR. User-defined code used by COM that uniquely identifies a shipping calendar.

PRODUCTION CALENDAR. The name of the production calendar associated with this warehouse.

RECEIVING CALENDAR. The name of the receiving calendar associated with this warehouse.

CONTRACT WAREHOUSE. Appears only if Contract Accounting (CA) is interfacing. A code that defines whether or not the warehouse is a contract warehouse.

- 0 No, this is not a contract warehouse.
- 1 Yes, this is a contract warehouse.

AMVW32—Change Warehouse

Use this display to change information about a warehouse already defined in the Warehouse Master file. There is more information than will fit on one display so a second page is available.

This display appears when you enter option 2 (Change) beside one or more warehouses listed on the Work With Warehouses display (AMVW21).

```

DATE **/**/**                CHANGE WAREHOUSE                AMVW32  **
TYPE INFORMATION, PRESS ENTER.                PAGE 1 of 2

WAREHOUSE ID . . . . . aA3
DESCRIPTION . . . . . aaaaaaaaaaaaaaaaaaaaaaaaaA30
WAREHOUSE TYPE . . . . . n          (1=CONTROLLED, 2=UNCONTROLLED)
SELLING WAREHOUSE CODE . . . . . n          (0=NO, 1=YES)
PLANNING WAREHOUSE CODE . . . . . n          (0=NO, 1=YES)
PRIMARY PLANNING WAREHOUSE . . . . . aaaA5  (*NONE, SPECIFIC WAREHOUSE)
SITE . . . . . aA3          *****
TAX CITY . . . . . aaaaaaaA10          *****
TAX COUNTY . . . . . aaaaaaaA10          *****
STATE . . . . . A2          *****
COUNTRY . . . . . aA3          *****
POSTAL CODE . . . . . aaaaaaaA10          *****
WAREHOUSE DATA SECURITY GROUP . . . . . aaA4
PICK/SHIP COMPLETE. . . . . n          (1=COMPLETE, 2=NOT COMPLETE)
BACKFLUSH CODE . . . . . n          (1=ADJUSTED, 2=STANDARD)
DEFAULT STAGING LOCATION. . . . . aaaaaA7

F4=PROMPT  F8=FORWARD  F18=REFRESH  F19=RETURN

```

```

DATE **/**/**                CHANGE WAREHOUSE                AMVW32  **
TYPE INFORMATION, PRESS ENTER.                PAGE 2 of 2

PLAN EXPECTED CUSTOMER ORDERS . . a          (0=NO, A, B, C, D=INCLUDE THRU)
CONTRACT WAREHOUSE . . . . . n          (0=NO, 1=YES)

SHIPPING CALENDAR ID . . . . . A2          aaaaaaaaaaaaaaaaaaaaaaaaaA25
PRODUCTION CALENDAR ID . . . . . aaaaaaaA10 aaaaaaaaaaaaaaaaaaaaaaaaaA35
RECEIVING CALENDAR ID . . . . . aaaaaaaA10 aaaaaaaaaaaaaaaaaaaaaaaaaA35

F4=PROMPT  F7=BACKWARD  F18=REFRESH  F19=RETURN

```

Contents	Index	Exit
--------------------------	-----------------------	----------------------

What to do

To change information about a warehouse, type in the changes and press **Enter**. The information for this warehouse is changed in the Warehouse Master file.

- If you entered only one option on display AMVW21, display AMVW21 appears again.
- If you entered more than one option on display AMVW21, the next warehouse you selected to work with appears on display AMVW32, AMVW41, AMVW33, or AMMAA1, depending on the option you chose.

Function keys

F4=PROMPT when used on the Warehouse Data Security Group field shows you the CAS Select Data Group window where you can select or create a security data group for this warehouse. When used on the Calendar ID field a window appears where you can select an appropriate ID.

F7=BACKWARD shows you the previous page of information for this warehouse.

F8=FORWARD shows you the next page of information for this warehouse.

F18=REFRESH restores the display to its status before you made any changes.

F19=RETURN returns you to the Work With Warehouses display (AMVW21).

Fields

You can change any of the fields shown. See "AMVW31—Create Warehouse" for an explanation of the fields on this display.

Note: If COM is interfacing, changing the **WAREHOUSE TYPE** field from uncontrolled to controlled when S-type (standard) orders exist, may cause unpredictable results to occur.

If the Maintenance Management System (MMS) is interfacing, warehouse type must be uncontrolled.

AMVW33—Display Warehouse

Use this display to see detailed information for a warehouse defined in the Warehouse Master file. There is more information than will fit on one display, so a second page is available.

This display appears when you enter option 5 (Display) next to one or more warehouses listed on the Work With Warehouses display (AMVW21).

```
DATE **/**/**          DISPLAY WAREHOUSE          AMVW33  **
PRESS ENTER TO CONTINUE.                                PAGE 1  OF 2

WAREHOUSE ID . . . . . ***
DESCRIPTION . . . . . *****
WAREHOUSE TYPE . . . . . *          (1=CONTROLLED, 2=UNCONTROLLED)
SELLING WAREHOUSE CODE . . . . . *          (0=NO, 1=YES)
PLANNING WAREHOUSE CODE . . . . . *          (0=NO, 1=YES)
PRIMARY PLANNING WAREHOUSE . . . . . ***** (*NONE, SPECIFIC WAREHOUSE)
SITE . . . . . ***
TAX CITY . . . . . *****
TAX COUNTY . . . . . *****
STATE . . . . . **          ***** EEC ST CODE **
COUNTRY . . . . . ***          ***** EEC CN CODE ***
POSTAL CODE . . . . . *****
WAREHOUSE DATA SECURITY GROUP . . . . . *****
PICK/SHIP COMPLETE. . . . . *          (1=COMPLETE, 2=NOT COMPLETE)
BACKFLUSH CODE . . . . . *          (1=ADJUSTED, 2=STANDARD)
DEFAULT STAGING LOCATION. . . . . *****

F8=FORWARD  F18=REFRESH  F19=RETURN
```

```
DATE **/**/**          DISPLAY WAREHOUSE          AMVW33  **
PRESS ENTER TO CONTINUE.                                PAGE 2  OF 2

PLAN EXPECTED CUSTOMER ORDERS . . . . . *          (0=NO, A, B, C, D=INCLUDE THRU)

SHIPPING CALENDAR ID . . . . . **          *****
PRODUCTION CALENDAR ID . . . . . ***** *****
RECEIVING CALENDAR ID . . . . . ***** *****

F4=PROMPT  F7=BACKWARD  F18=REFRESH  F19=RETURN
```

Contents	Index	Exit
--------------------------	-----------------------	----------------------

What to do

To see information for another warehouse, press **Enter**.

- If you selected only one warehouse on display AMVW21, display AMVW21 appears again so you can make another selection.
- If you selected more than one warehouse on display AMVW21, information for the next warehouse you selected to view appears.

Function keys

F7=BACKWARD shows you the previous page of information for this warehouse.

F8=FORWARD shows you the next page of information for this warehouse.

F18=REFRESH causes the information to be re-displayed to capture any information another user may have added for this warehouse while you were viewing it.

F19=RETURN returns to the Work With Warehouses display (AMVW21).

Fields

All of the fields shown on this display are informational only and cannot be changed. See "AMVW31—Create Warehouse" for an explanation of these fields.

AMVW41—Delete Warehouse Confirmation

Use this display to confirm that you want to delete the warehouses listed.

This display appears when you enter option 4 (Delete) beside one or more warehouses listed on the Work With Warehouses display (AMVW21). All of the warehouses selected for deletion appear in the list.

MORE: — + on the right part of the display indicates that more lines are in the list than are currently shown. If you see a minus sign, use **ROLL DOWN** to see elements higher in the list. If you see a plus sign, use **ROLL UP** to see elements lower in the list.

```

DATE **/**/**              DELETE WAREHOUSE CONFIRMATION              AMVW41  **

PRESS ENTER TO CONFIRM CHOICES FOR DELETE.
PRESS F19 TO RETURN TO CHANGE YOUR CHOICES.

                                     MORE: - +
                                     PRIMARY
WAREHOUSE ID  DESCRIPTION                     WHS  SELLING  PLANNING  PRIMARY
          ID   DESCRIPTION                     TYPE WHS CODE WHS CODE  PLANNING
          ***   *****                     *    *      *      WHS
          ***   *****                     *    *      *      *****
          ***   *****                     *    *      *      *****
          ***   *****                     *    *      *      *****
          ***   *****                     *    *      *      *****
          ***   *****                     *    *      *      *****
          ***   *****                     *    *      *      *****
          ***   *****                     *    *      *      *****
          ***   *****                     *    *      *      *****
          ***   *****                     *    *      *      *****
          ***   *****                     *    *      *      *****
          ***   *****                     *    *      *      *****
          ***   *****                     *    *      *      *****
          ***   *****                     *    *      *      *****
          ***   *****                     *    *      *      *****
          ***   *****                     *    *      *      *****
          ***   *****                     *    *      *      *****

ROLL UP/DOWN  F19=RETURN
  
```

What to do

To confirm the delete, press **Enter**. The warehouses listed are deleted from the Warehouse Master file.

- If you entered only one option on display AMVW21, display AMVW21 appears again.
- If you entered more than one option on display AMVW21, the next warehouse you selected to work with appears on display AMVW32, AMVW41, AMVW33, or AMMAA1, depending on the option you chose.

Function keys

ROLL UP/DOWN allows you to scroll up and down through the list of warehouses.

F19=RETURN returns you to the Work With Warehouses display (AMVW21) without deleting the selected warehouses.

Contents	Index	Exit
--------------------------	-----------------------	----------------------

Fields

All of the fields shown are informational only and cannot be changed. Refer to the Work With Warehouses display (AMVW21) for an explanation of the fields on this display.

Option 13. Code Files (AMIM7D)

If you select option 13 from the File Maintenance Menu, the Code File Maintenance menu (AMMI7D) appears.

```

AMIM7D                               Inventory Management          *****
                                Code File Maintenance

Type option or command; press Enter.

  1. Bill of Lading Commodity
  2. Country
  3. Item Class
  4. Item Price Class
  5. Item Sales Family
  6. Item Sales Group
  7. Purchased Item Commodity
  8. Transaction Unit of Measure Class
  9. Unit of Measure Master

==> _____

F3=Exit      F4=Prompt   F9=Retrieve  F10=Actions
F11=Job status F12=Return  F22=Messages
  
```

Use this option to define information for codes you use with Inventory Management. Code files consist of a code and a code description for each record in the file. Code file maintenance allows you to name and describe the values your company uses for these codes. Think of code values as abbreviations your company uses for specific fields.

Before you begin code file maintenance, make sure you have all your entry information at hand. You might find following a pattern is useful for setting up some codes. For example, each Territory code might begin with a letter representing a region of the country, such as "S" for all territories in the South.

How you start code file maintenance

Menu	Option
Inventory Management Main (AMIM00)	File Maintenance
File Maintenance (AMIM70)	Code Files
Code File Maintenance (AMIM7D)	Options 1—9

Code file maintenance panels

The code file maintenance panels show you a list of codes or show you entry fields for adding new codes to the list. You have several ways to move through the list of codes.

Scrolling the code list

Your company may have more codes than can be shown on the panel at one time. In that case, a plus sign (+) appears at the bottom of the list. Use **F7=Backward**, **F8=Forward**, **roll keys**, or **page keys** to scroll through the list of codes.

```
AMVAJDFR                Display Countries                DISPLAY
                                                                New mail waiting
Position to code . . . . aA3
Subset by name . . . . . aaaaaaaaaaaaaaaaaaaaaA25

Code   Name
ARG    Argentina
AST    Austria
AUS    Australia
BRZ    Brazil
CAN    Canada
CZC    Czechoslovakia
DNM    Denmark
FRN    France
GBR    Great Britain
GER    Germany
GRC    Greece
ITY    Italy
JAM    Jamaica
JPN    Japan                                     +

F3=Exit   F6=Edit   F7=Backward   F8=Forward
F12=Cancel F21=Print
```

When you use **F8=Forward**, the next country codes appear in the list.

```
AMVAJDFR                Display Countries                DISPLAY
                                                                New mail waiting
Position to code . . . . aA3
Subset by name . . . . . aaaaaaaaaaaaaaaaaaaaaA25

Code   Name
MEX    Mexico
NTH    Netherlands
POL    Poland
PRT    Portugal
```

Position to field

You can also move through the list by typing the code you want to see in the **Position to** field at the top of the panel.

```
AMVAJDFR                Display Countries                DISPLAY
                                                                New mail waiting
Position to code . . . . GER
Subset by name . . . . . aaaaaaaaaaaaaaaaaaaaaA25

Code   Name
ARG   Argentina
AST   Austria
AUS   Australia
BRZ   Brazil
CAN   Canada
CZC   Czechoslovakia
DNM   Denmark
FRN   France
GBR   Great Britain
GER   Germany
GRC   Greece
ITY   Italy
JAM   Jamaica
JPN   Japan

F3=Exit   F6=Edit   F7=Backward   F8=Forward
F12=Cancel F21=Print
```

When you type a code in the **Position to** field and press **Enter**, the system moves the list so that the code you typed is at the top of the list. If none of the codes match the one you typed, the list begins with the entry immediately following the code you want.

```
AMVAJDFR                Display Countries                DISPLAY
                                                                New mail waiting
Position to code . . . . GER
Subset by name . . . . . aaaaaaaaaaaaaaaaaaaaaA25

Code   Name
GER   Germany
GRC   Greece
ITY   Italy
JPN   Japan
MEX   Mexico
```

To return to the original list, blank out the value in the **Position to** field and press **Enter**.

Subset by field

If you want to limit the list of codes to only those with a certain description, you can type the string of letters or numbers you want to match in the **Subset by** field.

```
AMVAJDFR                Display Countries                DISPLAY
                                                                New mail waiting
Position to code . . . . aA3
Subset by name . . . . . Austr

Code   Name
ARG    Argentina
AST    Austria
AUS    Australia
BRZ    Brazil
CAN    Canada
CZC    Czechoslovakia
DNM    Denmark
FRN    France
GBR    Great Britain
GER    Germany
GRC    Greece
ITY    Italy
JAM    Jamaica
JPN    Japan

F3=Exit   F6=Edit   F7=Backward  F8=Forward
F12=Cancel F21=Print
```

When you press **Enter**, only those codes that match the string you enter appear in the list.

```
AMVAJDFR                Display Countries                DISPLAY
                                                                New mail waiting
Position to code . . . . aA3
Subset by name . . . . . Aus

Code   Name
AST    Austria
AUS    Australia
```

To return to the original list, blank out the value in the **Subset by** field and press **Enter**.

Types of code file maintenance panels

You use two types of panels when you maintain code files: the Display panel and the Edit panel. Both panels show the list of codes. Each entry in the list contains a code and a name or description for that code.

Display panel. This panel is your starting point for code file maintenance. It is the first panel that appears when you choose an option on the Code File Maintenance menu.

The Display panel is like an inquiry panel. You can see information, but you cannot change it. For example, in the following panel, you see a list of three-position country codes and the names of the countries.

```
AMVAJDFR                      Display Countries                      DISPLAY
                                                                    New mail waiting
Position to code . . . . . aA3
Subset by name . . . . . aaaaaaaaaaaaaaaaaaaaaA25

Code   Name
ARG    Argentina
AST    Austria
AUS    Australia
BRZ    Brazil
CAN    Canada
ITY    Italy
CZC    Czechoslovakia
DNM    Denmark
FRN    France
GBR    Great Britain
GER    Germany
GRC    Greece
JAM    Jamaica
JPN    Japan

F3=Exit   F6=Edit   F7=Backward  F8=Forward
F12=Cancel F21=Print
```

Edit panel. This panel appears when you use **F6=Edit** on the Display panel. It contains the same list of codes and code descriptions as the Display panel. It also contains an **Opt** field. Enter the number in this field that corresponds to the action you want to take against an entry in the list. The action available in code file maintenance is 4=Delete.

```
AMVAGEFR                          Edit Country Data                          CHANGE
                                     New mail waiting

Position to code . . . . aA3

Type options; press Enter.
4=Delete

Opt  Code   Name                                     Country code  EEC information - - - - -
                                         Country code  Statistical  Member
                                         code         value %      state?

ARG  ARG    Argentina
AST  AST    Austria
AUS  AUS    Australia
BRZ  BRZ    Brazil
CAN  CAN    Canada
CZC  CZC    Czechoslovakia
DNM  DNM    Denmark
FRN  FRN    France
GBR  GBR    Great Britain
GER  GER    Germany
GRC  GRC    Greece

F3=Exit    F6=Add      F7=Backward  F8=Forward
F12=Cancel F21=Print
```

The Edit panel has two modes, Change and Add. In Change mode, you can type over the code name or description with a new name or description. You cannot change the code itself.

Use **F6=Add** to switch from Change mode to Add mode so that you can enter new codes and descriptions.

```
AMVAGEFR                          Edit Country Data                          ADD
                                     New mail waiting

Type information; press Enter.

Code   Name                                     Country code  EEC information - - - - -
aA3    aaaaaaaaaaaaaaaaaaaaaaaaaaaaaaaaaa    aA3          nnn.nn       A
aA3    aaaaaaaaaaaaaaaaaaaaaaaaaaaaaaaaaa    aA3          nnn.nn       A
aA3    aaaaaaaaaaaaaaaaaaaaaaaaaaaaaaaaaa    aA3          nnn.nn       A
aA3    aaaaaaaaaaaaaaaaaaaaaaaaaaaaaaaaaa    aA3          nnn.nn       A
aA3    aaaaaaaaaaaaaaaaaaaaaaaaaaaaaaaaaa    aA3          nnn.nn       A
aA3    aaaaaaaaaaaaaaaaaaaaaaaaaaaaaaaaaa    aA3          nnn.nn       A
aA3    aaaaaaaaaaaaaaaaaaaaaaaaaaaaaaaaaa    aA3          nnn.nn       A
aA3    aaaaaaaaaaaaaaaaaaaaaaaaaaaaaaaaaa    aA3          nnn.nn       A
aA3    aaaaaaaaaaaaaaaaaaaaaaaaaaaaaaaaaa    aA3          nnn.nn       A
aA3    aaaaaaaaaaaaaaaaaaaaaaaaaaaaaaaaaa    aA3          nnn.nn       A
aA3    aaaaaaaaaaaaaaaaaaaaaaaaaaaaaaaaaa    aA3          nnn.nn       A
aA3    aaaaaaaaaaaaaaaaaaaaaaaaaaaaaaaaaa    aA3          nnn.nn       A
aA3    aaaaaaaaaaaaaaaaaaaaaaaaaaaaaaaaaa    aA3          nnn.nn       A
aA3    aaaaaaaaaaaaaaaaaaaaaaaaaaaaaaaaaa    aA3          nnn.nn       A

F3=Exit    F6=Change   F7=Backward  F8=Forward
F12=Cancel F21=Print
```

Use **F6=Change** to switch back to Change mode. Or, use **F12=Cancel** to return to the Display panel.

[Contents](#)[Index](#)[Exit](#)

Code file report

If you want a report showing all codes defined in a code file, use **F21=Print**. The List Detail report prints for that code file. For example, using **F21** on the Display Country or Edit Country Data panels causes the List Country Detail report (AMVADPFR) to print.

```

AMVADPFR  SPELL      List Country Detail
                                7/12/**  Page 1
                                08:13:51 ATLA1035 50
- - - EEC information - - -
Country  Statistical  Member
code    value %      state?
Code    Name
ARG    Argentina    .00
AST    Austria      .00
AUS    Australia     .00
BRZ    Brazil        .00
CAN    Canada        .00
CZC    Czechoslovakia .00
DNM    Denmark       .00
FRN    France         .00
GBR    Great Britain .00
GER    Germany       .00

```

[Contents](#)[Index](#)[Exit](#)

Example: Maintain code files

Code file maintenance works the same way regardless of the code you want to add, change, or delete. When you first begin code file maintenance, the Display and Edit panels do not contain any code information. Use the Edit panel in Add mode to enter the code values your company uses. These code values make up the lists you see on the Display panel and Edit panel in Change mode.

You may have a long list of code values for some codes and a short list for others, depending on the number of different values your company uses for each code. Once you have added code information, you can change code names and descriptions and delete codes in the list.

The rest of this section demonstrates code file maintenance using one example: the Country code. Remember that you use the same types of panels and take the same actions to maintain information for any code.

Note: If you want to cancel the changes you've made and back out, use either **F3=Exit** or **F12=Cancel** before you press **Enter**. Once you press **Enter**, the changes are committed to the system.

To see a list of codes. When you select an option on the Code File Maintenance menu, the Display panel appears. This display panel shows you the list of codes already defined.

```

AMVAJDFR                               Display Countries                               DISPLAY
                                                                                   New mail waiting
Position to code . . . . . _____
Subset by name . . . . . _____

Code   Name
ARG    Argentina
AST    Austria
AUS    Australia
BRZ    Brazil
CAN    Canada
ITY    Italy
CZC    Czechoslovakia
DNM    Denmark
FRN    France
GBR    Great Britain
GER    Germany
GRC    Greece
JAM    Jamaica
JPN    Japan                                     +

F3=Exit   F6=Edit   F7=Backward  F8=Forward
F12=Cancel F21=Print

```

To change, delete, or add code information, use **F6=Edit**. The Edit panel appears in Change mode.

To return to the Code File Maintenance menu, use **F3=Exit**.

To change code information. The Edit panel in Change mode contains the same list of codes and code descriptions as the Display panel. To change the name or description for a code, type over the existing information and press **Enter**.

You cannot change the values in the **Code** column. To change a code value, you must first delete the existing code, using **option 4=Delete**, then add a new code.

```

AMVAGEFR                               Edit Country Data                               CHANGE
                                                                                   New mail waiting
Position to code . . . . .  _____

Type options; press Enter.
4=Delete

Opt  Code  Name
ARG  ARG  Argentina
AST  AST  Austria
AUS  AUS  Australia
BRZ  BRZ  Brazil
CAN  CAN  Canada
CZC  CZC  Czechoslovakia
DNM  DNM  Denmark
FRN  FRN  France
GBR  GBR  Great Britain
GER  GER  Germany
GRC  GRC  Greece

          - - - - EEC information - - - - -
Country  Statistical  Member
code     value %      state?

F3=Exit  F6=Add  F7=Backward  F8=Forward
F12=Cancel  F21=Print

```

For example, if you need to change the name of code CZC from "Czechoslovakia" to "Czech Republic," you type the new name over the current name and press **Enter**.

```

AMVAGEFR                               Edit Country Data                               CHANGE
                                                                                   New mail waiting
Position to code . . . . .  _____

Type options; press Enter.
4=Delete

Opt  Code  Name
ARG  ARG  Argentina
AST  AST  Austria
AUS  AUS  Australia
BRZ  BRZ  Brazil
CAN  CAN  Canada
CZC  CZC  Czech Republic
DNM  DNM  Denmark
FRN  FRN  France

          - - - - EEC information - - - - -
Country  Statistical  Member
code     value %      state?

```

To add a new code, use **F6=Add**. The Edit Data (Change) panel changes to Edit Data (Add).

To add codes. Use the Edit panel in Add mode to enter new codes with their descriptions. Type the information for the codes you want to add. The **Code** field is required.


```

AMVAGEFR                               Edit Country Data                               ADD
                                           New mail waiting

Type information; press Enter.

Code   Name
BEL    Belgium

- - - - EEC information - - - - -
Country Statistical Member
code     value %    state?

F3=Exit   F6=Change  F7=Backward  F8=Forward
F12=Cancel F21=Print
  
```

When you finish adding code information, press **Enter**. The Edit panel returns to Change mode, and the codes you added now appear in the list.

```

AMVAGEFR                               Edit Country Data                               CHANGE
                                           New mail waiting

Position to code . . . .  ___

Type options; press Enter.
4=Delete

Opt  Code   Name
ARG  ARG    Argentina
AST  AST    Austria
AUS  AUS    Australia
BEL  BEL    Belgium
BRZ  BRZ    Brazil

- - - - EEC information - - - - -
Country Statistical Member
code     value %    state?
  
```

To delete codes. Type **4** in the **Opt** column next to the codes you want to delete.

```

AMVAGEFR                               Edit Country Data                               CHANGE
                                                                                   New mail waiting

Position to code . . . .  ____

Type options; press Enter.
4=Delete

Opt  Code   Name                               Country   EEC information   Statistical   Member
      code   value %                               state?

4   ARG   Argentina
    AST   Austria
    AUS   Australia
    BEL   Belgium
    BRZ   Brazil
    CAN   Canada
    CZC   Czech Republic
    DNM   Denmark
    FRN   France
    GER   Germany
    GRC   Greece                               +

F3=Exit   F6=Add   F7=Backward   F8=Forward
F12=Cancel F21=Print
  
```

After you type 4 next to all of the codes you want to delete, press **Enter**. The system deletes those codes marked with 4. The list appears again without the deleted codes.

```

AMVAGEFR                               Edit Country Data                               CHANGE
                                                                                   New mail waiting

Position to code . . . .  ____

Type options; press Enter.
4=Delete

Opt  Code   Name                               Country   EEC information   Statistical   Member
      code   value %                               state?

    ARG   Argentina
    AST   Austria
    AUS   Australia
    BRZ   Brazil
    CAN   Canada
    CZC   Czech Republic
    DNM   Denmark
    FRN   France
    GBR   Great Britain
    GER   Germany
    GRC   Greece

F3=Exit   F6=Add   F7=Backward   F8=Forward
F12=Cancel F21=Print
  
```

To end code file maintenance. When you have finished maintaining codes, use **F3=Exit** to return to the Code File Maintenance menu. If you are on an Edit panel, you return to the Display panel. Use **F3=Exit** again to return to the menu.

[Contents](#)[Index](#)[Exit](#)

Option 14. Offline Maintenance (AMIM70)

Use this option when you want to perform offline file maintenance for Item Master and Item Balance/Item Plan files.

When EPDM is activated, file maintenance to Item Master must be done using offline maintenance for Item Revision in EPDM.

What information you need: Completed forms IM-18A for Item Balance/Item Plan and forms PM-26A through PM-28 for Item Master.

What reports are printed:

- Item Balance File Offline Edit List (AMK11)
- Item Master Offline Maintenance Edit List (AMKE1)
- Item Master Offline Maintenance Audit List (AMKE3)
- Item Master Offline Maintenance Audit List (AMKE3)

What forms you need: Forms IM-18A for Item Balance/Item Plan and forms PM-26A through PM-28 for Item Master.

AMIM7E—Offline Maintenance

Use this menu to select the files on which you want to perform offline file maintenance.

This menu appears when you select option 14 on the File Maintenance menu (AMIM70).

```
AMIM7E                               Inventory Management          *****
                                     Offline Maintenance

Type option or command; press Enter.

    1. Item Master
    2. Item Balance

==> _____

F3=Exit      F4=Prompt   F9=Retrieve   F10=Actions
F11=Job status F12=Return  F22=Messages
```

Option 1. Item Master. Use this option to perform offline maintenance on the Item Master file.

When EPDM is activated, you cannot use this option. You must use the EPDM application to perform this task.

Option 2. Item Balance. Use this option to perform offline maintenance on the Item Balance/Item Plan file.

AMVPOF—Offline Maintenance Options

Use this display to select the options for loading records from an offline file.

This display appears when you select option 1 or 2 on the Offline Maintenance menu (AMIM7E). The heading reflects the name of the option you select.

```
Date 8/20/**      Item ***** Offline Maintenance Options      AMVPOF

Select one of the following . . . A 1. Edit only
                                   2. Edit and update

Offline file name . . . . . aaaaaaaA10
Offline file library name . . . . . aaaaaaaA10

Select option for update . . . . . A 0. Retain all offline records
                                   1. Retain only error records
                                   2. Delete offline file

F3=Exit
```

What to do

To perform offline maintenance for the file you selected on menu AMIM7E, type in the information requested and press **Enter**. If no errors are found, the job is submitted to the job queue. Either the Offline Maintenance Edit List or the Offline Maintenance Audit List for the file you selected is printed. (For the Item Master file, selecting option 1 prints the Offline Maintenance Edit List and option 2 prints the Offline Maintenance Audit List. For the Item Balance file, selecting either option 1 or 2 prints the Offline Maintenance Edit List.)

Function keys

F3=Exit causes the Offline Maintenance menu (AMIM7E) to appear again, and any data entered is ignored. You can reselect the options. No report is scheduled for printing.

Fields

Select one of the following. Type in one of the following:

- 1** Edit only. Selecting this option causes the file to be edited.
- 2** Edit and update. Selecting this option causes the file to be edited. If a record passes the edit, it is loaded to the master file.

Offline file name. Type in the name of the offline file. The file must already exist on the disk.

Contents	Index	Exit
--------------------------	-----------------------	----------------------

Offline file library name. Type in the name of the library in which the offline file is located. If you do not type in a library name, the system uses the default library name *LIBL.

Select option for update. This option is used only when you select Option 2 for edit and update. Type in one of the following:

- 0** Retain all offline records. Selecting this option causes all offline records to be retained. This is the default.
- 1** Retain only error records. Selecting this option causes only error records to be retained.
- 2** Delete offline file. Selecting this option causes the offline file to be deleted when update is completed.

Chapter 10. Transaction History

If you select option 8 from the Main Menu, the Transaction History menu (AMIM80) appears. This menu has 6 options that allow you to look at transaction history online or in printed reports and to archive, restore, and purge it.

Option 1. Transaction History Inquiries (AMIM80)	10-5
Option 2. Transaction History Reports (AMIM80).....	10-39
Option 3. Purge/Save Transaction History (AMIM80).....	10-49
Option 4. Restore Transaction History (AMIM80).....	10-54
Option 5. Delete Restored Transaction History (AMIM80)	10-58
Option 6. Delete Transaction History Archive Records (AMIM80)	10-59

```

AMIM80                               Inventory Management          *****
                                   Transaction History

Type option or command; press Enter.

  1. Transaction History Inquiries
  2. Transaction History Reports
  3. Purge/Save Transaction History
  4. Restore Transaction History
  5. Delete Restored Transaction History
  6. Delete Transaction History Archive Records

-----

F3=Exit      F4=Prompt   F9=Retrieve  F10=Actions
F11=Job status F12=Return  F22=Messages
  
```

Option 1. Transaction History Inquiries. Use this option to display transactions from the Transaction History file and the Restored Transaction History file.

Option 2. Transaction History Reports. Use this option to select transaction history reports and the limits within which they are to be printed. The reports include transactions in the Transaction History file and the Restored Transaction History file.

Option 3. Purge/Save Transaction History. Use this option to purge transactions from the Transaction History file and (optionally) print these transactions and save them to a tape file.

Option 4. Restore Transaction History. Use this option to restore transactions purged and saved from the Transaction History file onto the system again for use in inquiries and reports. The transactions are stored in the Restored Transaction History file.

Option 5. Delete Restored Transaction History. Use this option to delete all of the transactions in the Restored Transaction History file.

Option 6. Delete Transaction History Archive Records. Use this option to delete Transaction History Archive Control records.

How to use transaction history

All inventory transactions entered into the system are posted to the Transaction History file and are kept in the file until you purge them from the system. The transactions in the file can be reviewed online (using option 1) or printed (using option 2) whenever you need history information.

Inventory transactions in the Transaction History file can come from the following sources:

- Inventory Management (IM) transaction processing, including quality control and miscellaneous item transactions
- Physical inventory processing
- Customer Order Management (COM) sales shipments if COM is installed and interfacing with IM
- Accounts Payable (AP) if AP is installed and interfacing with IM
- Purchasing (PUR) if PUR is installed
- Production Control and Costing (PC&C) if PC&C is installed and interfacing with IM.
- International Financial Management (IFM) if IFM is installed and interfacing with IM.
- Maintenance Management System (MMS) if MMS is installed and interfacing with IM.

The Transaction History file saves transactions from all of these sources, including some transactions that do not affect the on hand balance. The recorded transactions give you a continuous picture of the on hand balance because each record retains the time and date the transaction updated the Item Balance and Location Quantity files.

Note: The on-hand information in the Item Balance file cannot be updated through Item Balance Maintenance if Transaction History is active. The file can include any of the following types of transactions, depending on the applications installed:

- Issue transactions
 - Planned Manufacturing Issue (IP). Used to report individual component issues to manufacturing orders.
 - Miscellaneous Issue (IS). Used to report issues that are not charged to customer or manufacturing orders.
 - Unplanned Component Issue (IU). Used to add a component to a manufacturing order and create an issue transaction.
 - Interwarehouse Issue (IW). Used to report issues to another warehouse.
 - Uncontrolled floor stock (IX). Used to report uncontrolled floor stock issues. Automatically generated.
 - Miscellaneous Item Issue (MI). Used to report issues of miscellaneous items.
 - Pick Complete by Item (PB). Used to report the pick completion of an item (bulk pick).
 - Pick Complete by Order (PC). Used to report that all components of an order have been picked.

- Purchase Return to Vendor (VR). Used by Purchasing to report that purchased items were returned to the vendor.
- Receipt transactions
 - Miscellaneous Item Receipt (MR). Used to report receipts for miscellaneous items.
 - Miscellaneous Receipt (RC). Used to report receipts for items that do not have open orders.
 - Purchase Order Receipt to Dock (RD). Used to report receipt of purchased items at the dock.
 - Purchase Order Receipt to Inspection (RI). Used to report movement of a purchased item from the dock to inspection.
 - Production Receipt (RM). Used to report an item receipt from production.
 - Purchase Order Receipt to Stock (RP). Used to report receipt of purchased items to stock.
 - Interwarehouse Receipt (RW). Used to report receipts from other warehouses.
- Cost transactions
 - Cost Adjustment (CA). Used to recalculate the average unit cost and to replace the last unit cost of an item.
 - Average Cost Replacement (CR). Used to change the average unit cost of an item.
 - Standard Cost Replacement (CS). Used to change the standard unit cost of an item.
 - Standard Unit Cost Default Replacement (CU). Used to change the unit cost default for an item.
- Scrap transactions
 - Manufactured Component Scrap (SC). Used to report component items that have been scrapped on a manufacturing order.
 - Manufacturing Order Scrap (SM). Used to report the scrapping of partially completed end items.
 - Purchase Order Scrap (SP). Used to report items that have been scrapped on a purchase order.
 - Scrap From Stock (SS). Used to report items that have been scrapped from stock.
- Quality Control transactions
 - Cyclic Item QC Complete (CQ). Used to report QC check complete for cyclic items.
 - Manufactured Item QC Complete (MQ). Used to report QC check complete for manufactured items.
 - Purchase Item QC Complete (PQ). Used to report QC check complete for purchase items.
 - Reject Item QC Complete (RQ). Used to report QC check complete for rejected items.
 - QC Status Change (SQ). Used to report a change in the QC status of an item.

- Maintenance transactions
 - Inventory Adjustment (IA). Used to adjust the on hand balance of an item.
 - Location Quantity Maintenance (LA). Used to report maintenance to the quantity of an item.
 - Batch/Lot Number Change (LQ). Used to report a change in the batch/lot number.
 - Physical Inventory Adjustment (PH). Used to report changes to on hand balances in the Item Balance and Location Quantity files.
- Miscellaneous transactions
 - Component Return to Stock (RS). Used to report the return of a previously issued component item to stock.
 - Sales Shipment (SA). Used to report sales shipments.
 - Interwarehouse Transfer (TW). Used to complete both the issue and receipt of an interwarehouse transfer.
- Purchasing transactions
 - Note:** These transactions are available only if PUR is installed and interfacing.
 - Purchase Vendor Update Routing (UR).
 - Purchase Vendor Acceptance (VA). Used by PUR to report that the vendor has accepted the terms of a purchase order.
 - Purchase Return to Vendor (VR). Used by PUR to report stock returned to the vendor.

For each item/warehouse, batch/lot, or order you select when you inquire into the Transaction History file, the inquiry shows all the transactions that were processed between the dates you specify. You can also select individual transactions to review in detail.

You can print transaction history reports on demand by item/warehouse, by transaction date, or by batch/lot using a variety of sequence, format, and limit options.

You can purge transactions as often as you like. It may be advantageous to purge transactions in conjunction with period closing activities. Transactions are saved automatically when you purge them from the system. However, for an immediate record of the transactions being purged, use the run-time option to print the transactions as they are purged, if you have not already included them in a Transaction History report.

Use the restore option to put previously purged transactions back onto the system temporarily for use in inquiries and reports. If you save transactions by period on tape, you can restore the specific period or periods that you want to review and then delete the transactions from the system again when you have finished reviewing them.

Contents	Index	Exit
--------------------------	-----------------------	----------------------

Option 1. Transaction History Inquiries (AMIM80)

Use this option when you want to see information in the Transaction History file and the Restored Transaction History file.

What information you need:

- The type of inquiry you want to use.
- The date sequence: ascending or descending by posting date within warehouse.
- The item number, order number, warehouse, batch/lot number, transaction type, and date range for the transactions you want to see. Some displays require the item number; others require the order number. The remaining fields are optional.

What reports are printed: None.

What forms you need: None.

The basic steps to perform inquiries follow each display.

AMIS11—Transaction History–Inquiry Selection (Select)

Use this display to select the kind of inquiry you want to see and a date sequence for the transactions.

This display appears when you select option 1 on the IM menu or option 8 on the REP Inquiry menu (AMQM10).

```
DATE **/**/**          TRANSACTION HISTORY          SELECT  AMIS11  **
                        INQUIRY SELECTION

                        SELECT INQUIRY      n
                        1  ITEM NUMBER
                        2  ITEM NUMBER AND BATCH/LOT
                        3  ORDER/SCHEDULE NUMBER
                        4  PRODUCTION LINE

                        DATE SEQUENCE      n
                        1  ASCENDING
                        2  DESCENDING

                                                F24 END OF JOB
```

What to do

To select the kind of inquiry to review, type in a number from 1 to 4 and the date sequence and press **Enter**. Go to display AMIS12 for item number inquiry, display AMIS13 for item number and batch/lot inquiry, display AMIS14 for order schedule inquiry, or display AMIS19 for production line inquiry.

Function keys

F24 END OF JOB causes the menu to appear again.

Fields

SELECT INQUIRY. Required. Type in the number for the kind of inquiry:

- 1 Item number. Transaction history by item number.
- 2 Item number and batch/lot. Transaction history by item number and batch/lot.
- 3 Order/schedule number. Transaction history by order number. If REP is installed and interfacing, you can choose orders or schedules.
- 4 Production line. Transaction history by production line. This option is only available if REP is installed and interfacing.

DATE SEQUENCE. Required. Type in the number for the kind of posting date sequence to use in transaction history inquiries:

Contents	Index	Exit
--------------------------	-----------------------	----------------------

- 1 Transactions arranged in ascending posting date within warehouse sequence (earliest date first)
- 2 Transactions arranged in descending posting date within warehouse sequence (latest date first)

AMIS12—Transaction History—Summary by Item (Inquiry)

Use this display to select the transactions you want to see.

This display appears when you type **1** in the **SELECT INQUIRY** field on the Transaction History Inquiry Selection (Select) display (AMIS11).

```
DATE **/**/**          TRANSACTION HISTORY          INQUIRY  AMIS12  **
                        SUMMARY BY ITEM

ITEM aaaaaaaaaaaaA15
WAREHOUSE aA3
DATE FROM nnnnnn TO nnnnnn

F19 RETURN TO SELECT
F24 END OF JOB
```

What to do

To select transactions to review, type in the item number and, optionally, the warehouse and date range and press **Enter**. Go to display AMIS15.

Function keys

F19 RETURN TO SELECT causes the Transaction History Inquiry Selection (Select) display (AMIS11) to appear.

F24 END OF JOB ignores any data you typed on this display and causes the menu to appear again.

Fields

[?] appears next to a field name in the following field definitions to identify a field from which you can begin a master file search.

ITEM (ITNBR) [?]. Required. Type in the item number for the transaction information.

WAREHOUSE (HOUSE). If you have multiple warehouses defined in the Warehouse Master file, type in the code of the warehouse associated with the item. Leave this field blank to see transactions for all warehouses for the selected item. If you have only one warehouse, the warehouse defined in the Warehouse Master file appears in this field and cannot be changed.

Contents	Index	Exit
--------------------------	-----------------------	----------------------

DATE FROM/TO. Type in the posting date limits for the transactions:

- Leave the **FROM** field blank to start with the earliest transaction in the file.
- Leave the **TO** field blank to include the latest transaction in the file.
- Leave both fields blank to see transactions for all dates.
- Type in the same date for both fields to see transactions posted only on that date.

AMIS15—Transaction History—Summary by Item (Inquiry)

Use this display to review transactions from the Transaction History file.

This display appears when you do one of the following:

- Enter a valid item number and, optionally, warehouse and date range on display AMIS12
- Enter a valid item number and, optionally, warehouse and date range on this display (AMIS15)
- Press **Enter** on display AMIS18.

```

DATE **/**/**          TRANSACTION HISTORY          INQUIRY  AMIS15  **
                        SUMMARY BY ITEM
ITEM aaaaaaaaaaA14    ***** TYPE *  CLS **** MLI *
WAREHOUSE aA3 LOCATION *****
DATE FROM nnnnnn TO nnnnnn
ORD POL *  STK U/M **  PLANNER ***** ENGR DRAWING *****

REF WH  -----TRANSACTION-----
NO. NO  CODE    QUANTITY      UM  -----RESULTING-----

** *** **  * ,***,***,***_ ** ON-HAND * ,***,***,*** ON-ORD * ,***,***,***
** *** **  * ,***,***,***_ ** POST DATE **/**/** ALLOC * ,***,***,***
** *** **  * ,***,***,***_ ** ON-HAND * ,***,***,*** ON-ORD * ,***,***,***
** *** **  * ,***,***,***_ ** POST DATE **/**/** ALLOC * ,***,***,***
** *** **  * ,***,***,***_ ** ON-HAND * ,***,***,*** ON-ORD * ,***,***,***
** *** **  * ,***,***,***_ ** POST DATE **/**/** ALLOC * ,***,***,***
** *** **  * ,***,***,***_ ** ON-HAND * ,***,***,*** ON-ORD * ,***,***,***
** *** **  * ,***,***,***_ ** POST DATE **/**/** ALLOC * ,***,***,***
nm ENTER REFERENCE NUMBER FOR ADDITIONAL DETAIL
More...
USE ROLL UP/DOWN
F19 RETURN TO SELECT
F24 END OF JOB

```

What to do

- To see the details of a transaction, type the reference number for the transaction into the **ENTER REFERENCE NUMBER FOR ADDITIONAL DETAIL** field, and press **Enter**. Go to display AMIS18.
- To see history transactions for a different item, warehouse, or date range, type in the new information over the information shown in the heading and press **Enter**. The display appears again with the transaction information requested.

Function keys

USE ROLL UP/DOWN causes the next or previous page of transactions to appear.

F19 RETURN TO SELECT causes the Transaction History Inquiry Selection (Select) display (AMIS11) to appear.

F24 END OF JOB ignores any data you typed on this display and causes the menu to appear again.

Fields

[?] appears next to a field name in the following field definitions to identify a field from which you can begin a master file search.

The **ITEM**, **WAREHOUSE**, and **DATE FROM and TO** fields appear with information you typed on the AMIS12 display. You can type over these fields to display information for a different item, warehouse, or date range. You can also type a reference number in the **ENTER REFERENCE NUMBER FOR ADDITIONAL DETAIL** field. All other fields on this display are informational only.

ITEM (ITNBR) [?]. Required. Type in the item number for the transaction information.

Description (ITDSC). The description of the item that appears on invoices, inquiries, and reports. This field appears to the right of the **ITEM** field but has no heading.

TYPE (Item Type Code) (ITTYF). The item type code that best describes the item. The available codes are:

0	Phantom
1	Assembly or subassembly
2	Fabricated item
3	Raw material
4	Purchased item
9	User option
F	Feature
K	Kit

CLS (Item Type Class) (ITCLS). The user-assigned code that describes the classification to which this item belongs. For example, ST might be used to code all items made of steel.

MLI (Master Level Item Code) (MLICD). This field may contain one of the codes used by MRP (if installed and interfacing) to indicate whether this item is a Master Level Item and, if so, which requirements to use when planning orders for it.

WAREHOUSE (HOUSE). If you have multiple warehouses defined in the Warehouse Master file, type in the code of the warehouse associated with the item. Leave the field blank to see transactions for all warehouses for the selected item. If you have only one warehouse, the warehouse defined in the Warehouse Master file appears in this field and cannot be changed.

LOCATION (WHS LC). The user-defined code indicating the location of the item in the controlled warehouse.

DATE FROM/TO. Type in the posting date limits for the transactions.

- Leave the **FROM** field blank to start with the earliest transaction in the file.
- Leave the **TO** field blank to include the latest transaction in the file.
Leave both fields blank to see transactions for all dates.
- Type in the same date for both fields to see transactions posted only on that date.

ORD POL (Order Policy Code) (ORDPC). A code identifying the order policy used to plan replenishment orders for this item. The available codes are:

- A** Discrete order quantity
- B** Order point, order quantity
- C** Order point, order up to level
- D** Fixed quantity
- F** Part-period balancing – standard cost
- G** Time periods of supply
- H** Discrete above a minimum quantity
- I** Part-period balancing – current cost see F above
- Z** User option

STK U/M (Stocking Unit of Measure) (UNMSR). A user-assigned code that defines the measurement basis of on hand quantity and issue quantity for this item; for example, EA (each), KG (kilogram), or CM (centimeter).

PLANNER (PLANN). Number assigned by your company to identify the person responsible for planning the replenishment strategy for this item. MRP and MPSP use this field as a limit for selection and for sequencing Order Status reports.

ENGR DRAWING (Engineering Drawing Number) (ENGNO). The item's engineering drawing number.

The following fields make up the body of the display:

REF NO. (Reference Number). A unique number assigned by the system to each of the transactions shown. You can enter this number in the **ENTER REFERENCE NUMBER FOR ADDITIONAL DETAIL** field to see further information about this transaction.

WH NO (Warehouse Number) (CITWH). The warehouse in which this transaction took place.

TRANSACTION CODE (TCODE). A two-letter code for the type of inventory transaction. If the transaction code is preceded by an R, the displayed information is for a reversal transaction and processed in immediate update. The codes available are:

Issue Transactions.

- IP** Planned Manufacturing Issue. Used to report individual component issues to manufacturing orders.
- IS** Miscellaneous Issue. Used to report issues that are not charged to customer or manufacturing orders.
- IU** Unplanned Component Issue. Used to add a component to a manufacturing order and create an issue transaction.
- IW** Interwarehouse Issue. Used to report issues to another warehouse.
- IX** Uncontrolled floor stock. Used to report uncontrolled floor stock issues.
- MI** Miscellaneous Item Issue. Used to report issues of miscellaneous items.
- PB** Pick Complete by Item. Used to report the pick completion of an item (bulk pick).
- PC** Pick Complete by Order. Used to report that all components of an order have been picked.
- VR** Purchase Return to Vendor. Used by Purchasing (if installed and interfacing) to report that purchased items were returned to the vendor.

Receipt Transactions.

- MR** Miscellaneous Item Receipt. Used to report receipts for miscellaneous items.
- RC** Miscellaneous Receipt. Used to report receipts for items that do not have open orders.
- RD** Purchase Order Receipt to Dock. Used to report receipt of purchased items at the dock.
- RI** Purchase Order Receipt to Inspection. Used to report movement of a purchased item from the dock to inspection.
- RM** Production Receipt. Used to report an item receipt from production.
- RP** Purchase Order Receipt to Stock. Used to report receipt of purchased items to stock.
- RW** Interwarehouse Receipt. Used to report receipts from other warehouses.

Cost Transactions.

- CA** Cost Adjustment. Used to recalculate the average unit cost and to replace the last unit cost of an item.
- CR** Average Cost Replacement. Used to change the average unit cost of an item.
- CS** Standard Cost Replacement. Used to change the standard unit cost of an item.
- CU** Standard unit cost default replacement. Used to change the unit cost default for an item.

Scrap Transactions.

- SC** Manufactured Component Scrap. Used to report component items that have been scrapped on a manufacturing order or schedule.
- SM** Manufacturing Order Scrap. Used to report the scrapping of partially completed end items.
- SP** Purchase Order Scrap. Used to report items that have been scrapped on a purchase order.
- SS** Scrap From Stock. Used to report items that have been scrapped from stock.

Quality Control Transactions.

- CQ** Cyclic Item QC Complete. Used to report QC check complete for cyclic items.
- MQ** Manufactured Item QC Complete. Used to report QC check complete for manufactured items.
- PQ** Purchase Item QC Complete. Used to report QC check complete for purchase items.
- RQ** Reject Item QC Complete. Used to report QC check complete for rejected items.
- SQ** QC Status Change. Used to report a change in the QC status of an item.

Maintenance Transactions.

- IA** Inventory Adjustment. Used to adjust the on-hand balance of an item.
- LA** Location Addition. Used to report the addition of an item to a location.
- LQ** Batch/Lot Number Change. Used to report a change in the batch/lot number.
- PH** Physical Inventory Adjustment. Used to report changes to on-hand balances in the Item Balance and Location Quantity files.

Miscellaneous Transactions.

- OP** Purchase Routing Null Transaction. Used to update purchase order routings.
- RS** Component Return to Stock. Used to report the return of a previously issued component item to stock.
- SA** Sales Shipment. Used to report sales shipments.
- TW** Interwarehouse Transfer. Used to complete both the issue and receipt of an interwarehouse transfer.
- VA** Purchase Order Vendor Accept. Used by Purchasing (if installed and interfacing) to report that the vendor has accepted the terms of a purchase order.

Contents	Index	Exit
--------------------------	-----------------------	----------------------

Repetitive Production Management (REP) Transactions.

- CL** Component Transfer to Line. Used by REP to report the movement of components to the production line.
- CN** Component Return to Stores. Used by REP to report the return of components to the warehouse.
- PS** Production Status. User-defined method to report production statistics, such as production line down-time.
- RLL** Replenishment by Location. Used by REP to report the issue of components by line location, for replenishment.
- RLS** Replenishment by Schedule. Used by REP to report the issue of components by schedule, for replenishment.
- RM** Schedule Receipt. Used to report a schedule item complete.
- RO** Operation Reporting. Used to report completion of an operation for the scheduled item.
- SC** Manufactured Component Scrap. Used to report component items that have been scrapped on a manufacturing order or schedule.
- SM** Schedule Scrap. Used to report the scrapping of a schedule item.

TRANSACTION QUANTITY (TRQTY). The quantity of this transaction.

TRANSACTION UM (Transaction Unit of Measure) (ENTUM). The unit of measure for the item entered with this transaction. If no unit of measure was entered, the stocking unit of measure (STKUM) appears.

ORDER NO. (Order Number) (ORDNO). The number of the purchase, manufacturing, customer order, or schedule associated with this transaction.

[If COM is installed and interfacing with IM, a customer order number includes the company number and order type of the associated customer order.](#)

POST DATE (UPDDT). The date when this transaction was posted, changing the computer's on hand balance for the item.

RESULTING ON-HAND (NUQOH). The quantity of this item that remained in stock after this transaction was posted.

RESULTING ON-ORD (NUQOO). The total quantity of this item that was on open purchase or manufacturing orders after this transaction was posted.

RESULTING ALLOC (NUALC). The total quantity of this item allocated for both manufacturing orders and sales order picking lists after this transaction was posted.

ENTER REFERENCE NUMBER FOR ADDITIONAL DETAIL. To see more detail, type in the reference number of the transaction.

AMIS13—Transaction History—Summary by Item and Batch/Lot (Inquiry)

Use this display to inquire into the Transaction History file by item number. You can also enter other information, including batch or lot number, to limit the transactions you see.

This display appears when you type **2** in the **SELECT INQUIRY** field on the Transaction History Inquiry Selection (Select) display (AMIS11).

```
DATE **/**/**          TRANSACTION HISTORY          INQUIRY  AMIS13  **
                        SUMMARY BY ITEM AND BATCH/LOT
ITEM aaaaaaaaaaaaA15
WAREHOUSE  aA3          BATCH/LOT aaaaaaaA10      TRANSACTION CODE  A2
DATE FROM  nnnnnn  TO  nnnnnn

F19 RETURN TO SELECT
F24 END OF JOB
```

What to do

To review the transaction history for an item, type in the item number and any other information needed, and press **Enter**. Go to display AMIS16.

Function keys

F19 RETURN TO SELECT causes the Transaction History Inquiry Selection (Select) display (AMIS11) to appear.

F24 END OF JOB ignores any data you typed on this display and causes the menu to appear again.

Fields

[?] appears next to a field name in the following field definitions to identify a field from which you can begin a master file search.

ITEM (ITNBR) [?]. Required. Type in the item number for the transaction information.

WAREHOUSE (HOUSE). If you have multiple warehouses defined in the Warehouse Master file, type in the code of the warehouse associated with the item. Leave the field blank to see transactions for all warehouses for the selected item. If you have

Contents	Index	Exit
--------------------------	-----------------------	----------------------

only one warehouse, the warehouse defined in the Warehouse Master file appears in this field and cannot be changed.

BATCH/LOT (LBHNO). Type in the batch or lot number for the transaction information. Leave the field blank to see transactions for all batch/lots for the item.

TRANSACTION CODE (TCODE). Type in the two-letter code for the type of transaction information. Leave the field blank to see all transaction types for the item. For a description of the available codes, see the explanation of display AMIS15 earlier in this section.

DATE FROM/TO. Type in the posting date limits for the transactions:

- Leave the **FROM** field blank to start with the earliest transaction in the file.
- Leave the **TO** field blank to include the latest transaction in the file.
- Leave both fields blank to see transactions for all dates.
- Type in the same date for both fields to see transactions posted only on that date.

AMIS16—Transaction History—Summary by Item and Batch/Lot (Inquiry)

Use this display to review transactions from the Transaction History file.

This display appears when you:

- Enter a valid item number and, optionally, other information on display AMIS13
- Enter a valid item number and, optionally, other information on this display (AMIS16)
- Press **Enter** on display AMIS18.

```

DATE **/**/**                TRANSACTION HISTORY                INQUIRY  AMIS16  **
                               SUMMARY BY ITEM AND BATCH/LOT
ITEM aaaaaaaaaaA15           ***** TYPE *  CLS **** MLI *
WAREHOUSE aA3                BATCH/LOT aaaaaaaA10      TRANSACTION CODE A2
DATE FROM nnnnnn TO nnnnnn
ORD POL *  STK U/M **        PLANNER ***** ENGR DRAWING *****

R/ TR POSTING  ORDER          WAREHOUSE          U/          CMP
/N CD DATE    NO             NO/LOCN          /M BATCH/LOT CD REFERENCE
** ** **/**/** ***** ** ** ** ** ** ** ** ** ** ** ** ** ** *
** ** **/**/** ***** ** ** ** *
** ** **/**/** ***** ** ** ** *
** ** **/**/** ***** ** ** ** *
** ** **/**/** ***** ** ** ** *
** ** **/**/** ***** ** ** ** *
** ** **/**/** ***** ** ** ** *
** ** **/**/** ***** ** ** ** *
** ** **/**/** ***** ** ** ** *
** ** **/**/** ***** ** ** ** *
** ** **/**/** ***** ** ** ** *
** ** **/**/** ***** ** ** ** *
** ** **/**/** ***** ** ** ** *
** ** **/**/** ***** ** ** ** *
** ** **/**/** ***** ** ** ** *
** ** **/**/** ***** ** ** ** *
** ** **/**/** ***** ** ** ** *
** ** **/**/** ***** ** ** ** *

nn  ENTER REFERENCE NUMBER FOR ADDITIONAL DETAIL
                                           More...
                                           USE ROLL UP/DOWN
                                           F19 RETURN TO SELECT
                                           F24 END OF JOB
  
```

What to do

- To see the details of a transaction, type the reference number for the transaction into the **ENTER REFERENCE NUMBER FOR ADDITIONAL DETAIL** field, and press **Enter**. Go to display AMIS18.
- To see the transactions for a different item, warehouse, batch/lot, transaction type, or date range, type in the new information over the information shown in the heading and press **Enter**. The display appears again with the transaction information requested.

Function keys

USE ROLL UP/DOWN causes the next or previous page of transactions to appear.

F19 RETURN TO SELECT causes the Transaction History Inquiry Selection (Select) display (AMIS11) to appear.

F24 END OF JOB ignores any data you typed on this display and causes the menu to appear again.

Fields

[?] appears next to a field name in the following field definitions to identify a field from which you can begin a master file search.

The **ITEM**, **WAREHOUSE**, **BATCH/LOT**, **TRANSACTION CODE**, and **DATE FROM and TO** fields appear with information you typed on the AMIS13 display. You can type over these fields to display information for a different item, warehouse, batch/lot, transaction code, or date range. You can also type a reference number in the **ENTER REFERENCE NUMBER FOR ADDITIONAL DETAIL** field. All other fields on this display are informational only.

ITEM (ITNBR) [?]. Required. Type in the item number for the transaction information.

Description (ITDSC). This field appears to the right of the **ITEM** field but has no heading. It shows the description of the item that appears on invoices, inquiries, and reports.

TYPE (Item Type Code) (ITTYF). The item type code that best describes the item. The available codes are:

0	Phantom
1	Assembly or subassembly
2	Fabricated item
3	Raw material
4	Purchased item
9	User option
F	Feature
K	Kit

CLS (Item Type Class) (ITCLS). The user-assigned code that describes the classification to which this item belongs. For example, ST might be used to code all items made of steel.

MLI (Master Level Item Code) (MLICD). One of the codes used by MRP (if installed and interfacing) that indicate whether this item is a Master Level Item and, if so, the requirements to use when planning orders for it.

WAREHOUSE (HOUSE). If you have multiple warehouses defined in the Warehouse Master file, type in the code of the warehouse associated with the item. Leave the field blank to see transactions for all warehouses for the selected item.

If you have only one warehouse, the warehouse defined in the Warehouse Master file appears in this field and cannot be changed.

BATCH/LOT (Batch or Lot Number) (LBHNO). Type in the batch or lot number for the transaction information. Leave the field blank to see information for all batch/lots for the item. When an item is defined as having batch/lot control, all transactions involving that item must carry the batch/lot number.

TRANSACTION CODE (TCODE). Type in the two-letter code for the type of transaction information. Leave the field blank to see all types of transactions for the item. For a description of the transaction codes available, see AMIS15—Transaction History—Summary by Item (Inquiry).

DATE FROM/TO. Type in the posting date limits for the transactions:

- Leave the **FROM** field blank to start with the earliest transaction in the file.
- Leave the **TO** field blank to include the latest transaction in the file.
- Leave both fields blank to see transactions for all dates.
- Type in the same date for both fields to see transactions posted only on that date.

ORD POL (Order Policy Code) (ORDPC). A code that identifies the order policy to be used to plan replenishment orders for this item. The available codes are:

A	Discrete order quantity
B	Order point, order quantity
C	Order point, order up to level
D	Fixed quantity
F	Part-period balancing – standard cost
G	Time periods of supply
H	Discrete above a minimum quantity
I	Part-period balancing – current cost see F
Z	User option

STK U/M (Stocking Unit of Measure) (UNMSR). A user-assigned code that defines the measurement basis of on hand quantity and issue quantity for this item; for example, EA (each), KG (kilogram), or CM (centimeter).

PLANNER (PLANN). Number assigned by your company to identify the person responsible for planning the replenishment strategy for this item. MRP and MPSP use this field as a limit for selection and for sequencing Order Status reports.

ENGR DRAWING (Engineering Drawing Number) (ENGNO). The item's engineering drawing number.

The following fields make up the body of the display:

R/N (Reference Number). A unique number assigned by the system to each of the transactions shown. You can enter this number in the **ENTER REFERENCE NUMBER FOR ADDITIONAL DETAIL** field to see further information about this transaction.

TR CD (Transaction Code) (TCODE). The two-letter code for the type of inventory transaction. For a description of the transaction codes available, see AMIS15—Transaction History—Summary by Item (Inquiry).

POSTING DATE (UPDDT). The date when this transaction was posted, changing the application's on-hand balance for the item.

ORDER NO (ORDNO). The number of the purchase, manufacturing, or customer order related to this transaction.

If COM is installed and interfacing with IM, a customer order number includes the company number and order type of the associated customer order.

WAREHOUSE NO/LOCN (CITWH) (WHS LC). The codes identifying the warehouse and the location within the warehouse of the item used in the transaction.

QUANTITY (TRQTY). The quantity of this transaction.

Contents	Index	Exit
--------------------------	-----------------------	----------------------

U/M (Stocking Unit of Measure) (STKUM). A user-assigned code that defines the measurement basis of on hand quantity and issue quantity for this item; for example, EA (each), KG (kilogram), or CM (centimeter).

BATCH/LOT (LBHNO). The number of the batch or lot of the item used in this transaction.

CMP CD (Completion Code) (CMPCD). The order completion code. Valid codes are:

blank Partial receipt (default)
C Order complete
P Partial receipt
R Reopen order (immediate update only)

REFERENCE (REFNO). The user-defined reference code entered with this transaction.

ENTER REFERENCE NUMBER FOR ADDITIONAL DETAIL. To see more detail, type in the reference number of the transaction.

AMIS14—Transaction History—Summary by Order/Schedule (Inquiry)

Use this display to inquire into the Transaction History file by purchase, manufacturing, or customer order numbers. If REP is installed and interfacing, you can also inquire by schedule. You can type in other information to limit the transactions you see.

This display appears when you type **3** in the **SELECT INQUIRY** field on the Transaction History Inquiry Selection (Select) display (AMIS11). This display appears with schedule history only if you gained access to Transaction History from the REP menu AMQVM10.

```
DATE **/**/**          TRANSACTION HISTORY          INQUIRY  AMIS14  **
                        SUMMARY BY SCHEDULE

SCHEDULE  aaaaaA7
ITEM aaaaaaaaaaaaaA15 WAREHOUSE aA3  BATCH/LOT aaaaaaaA10  TRANSACTION CODE A2
DATE FROM  nnnnnn  TO  nnnnnn

DATE **/**/**          TRANSACTION HISTORY          INQUIRY  AMIS14  **
                        SUMMARY BY ORDER

ORDER     nn A2 aaaaaA7
ITEM aaaaaaaaaaaaaA15 WAREHOUSE aA3  BATCH/LOT aaaaaaaA10  TRANSACTION CODE A2
DATE FROM  nnnnnn  TO  nnnnnn

F19 RETURN TO SELECT
F24 END OF JOB
```

What to do

- To view the transaction history for an order, type in the order number and any other information needed, and press **Enter**. If COM is installed, type in the company number, order number, and order type. Go to display AMIS17.
- To view a manufacturing, purchase, or schedule order, type in the order number.

Function keys

F19 RETURN TO SELECT causes the Transaction History Inquiry Selection (Select) display (AMIS11) to appear.

F24 END OF JOB ignores any data you typed on this display and causes the menu to appear again.

Fields

[\[?\]](#) appears next to a field name in the following field definitions to identify a field from which you can begin a master file search.

ORDER (ORDNO). Required. Type in the purchasing, manufacturing, or customer order number for the transaction information.

If COM is installed and interfacing with IM, a customer order number includes the company number and order type of the associated customer order.

SCHEDULE (ORDNO). Required and appears if REP is installed and interfacing. Type in the schedule number for the transaction information.

ITEM (ITNBR) [?]. Type in the number of the item in the order that has transaction information. Leave the field blank to see transaction information for all items in the order.

WAREHOUSE (HOUSE). If you have multiple warehouses defined in the Warehouse Master file, type in the code of the warehouse associated with the order number entered above. Leave the field blank to see transactions for all warehouses affected by the order. If you have only one warehouse, the warehouse defined in the Warehouse Master file appears in this field and cannot be changed.

BATCH/LOT (LBHNO). Type in the batch or lot number for the transaction information. Leave the field blank to see transactions for all batch/lots for the items on the order.

TRANSACTION CODE (TCODE). Type in the two-letter code for the type of transaction information. Leave the field blank to see all transaction types for the items on the order. For a description of the available codes, see the explanation of display AMIS15 earlier in this section.

DATE FROM/TO. Type in the posting date limits for the transactions:

- Leave the **FROM** field blank to start with the earliest transaction in the file.
- Leave the **TO** field blank to include the latest transaction in the file.
- Leave both fields blank to see transactions for all dates.
- Type in the same date for both fields to see transactions posted only on that date.

AMIS17—Transaction History—Summary by Order/Schedule (Inquiry)

Use this display to review transactions from the Transaction History file for selected order numbers or schedules (If REP is interfacing with IM).

This display appears when you do one of the following:

- Enter a valid order number or schedule and, optionally, other information on display AMIS14.
- Enter a valid order number or schedule and, optionally, other information on this display (AMIS17).
- Press **Enter** on display AMIS18.

```

DATE **/**/**                TRANSACTION HISTORY          INQUIRY  AMIS17  **
                          SUMMARY BY SCHEDULE

SCHEDULE  aaaaaA7
ITEM  aaaaaaaaaaaaaA15  WAREHOUSE aA3 BATCH/LOT  aaaaaaA10  TRANSACTION CODE A2
DATE FROM  nnnnnn  TO  nnnnnn

```

```

DATE **/**/**                TRANSACTION HISTORY          INQUIRY  AMIS17  **
                          SUMMARY BY ORDER

ORDER      nn A2 aaaaaA7
ITEM  aaaaaaaaaaaaaA15  WAREHOUSE aA3 BATCH/LOT  aaaaaaA10  TRANSACTION CODE A2
DATE FROM  nnnnnn  TO  nnnnnn

REF TR  POSTING
NO. CD  DATE  ITEM NUMBER  WAREHOUSE  QUANTITY  U/  CMP
      CD  DATE  ITEM NUMBER  NO/LOCN    QUANTITY  /M BATCH/LOT  CD
** **  **/**/**  *****  *** *****  * ,*** ,*** ,***_ ** *****  *
** **  **/**/**  *****  *** *****  * ,*** ,*** ,***_ ** *****  *
** **  **/**/**  *****  *** *****  * ,*** ,*** ,***_ ** *****  *
** **  **/**/**  *****  *** *****  * ,*** ,*** ,***_ ** *****  *
** **  **/**/**  *****  *** *****  * ,*** ,*** ,***_ ** *****  *
** **  **/**/**  *****  *** *****  * ,*** ,*** ,***_ ** *****  *
** **  **/**/**  *****  *** *****  * ,*** ,*** ,***_ ** *****  *
** **  **/**/**  *****  *** *****  * ,*** ,*** ,***_ ** *****  *
** **  **/**/**  *****  *** *****  * ,*** ,*** ,***_ ** *****  *
** **  **/**/**  *****  *** *****  * ,*** ,*** ,***_ ** *****  *
** **  **/**/**  *****  *** *****  * ,*** ,*** ,***_ ** *****  *
** **  **/**/**  *****  *** *****  * ,*** ,*** ,***_ ** *****  *
** **  **/**/**  *****  *** *****  * ,*** ,*** ,***_ ** *****  *
** **  **/**/**  *****  *** *****  * ,*** ,*** ,***_ ** *****  *
** **  **/**/**  *****  *** *****  * ,*** ,*** ,***_ ** *****  *
** **  **/**/**  *****  *** *****  * ,*** ,*** ,***_ ** *****  *
** **  **/**/**  *****  *** *****  * ,*** ,*** ,***_ ** *****  *

nn  ENTER REFERENCE NUMBER FOR ADDITIONAL DETAIL

                                Bottom
                                USE ROLL UP/DOWN
                                F19 RETURN TO SELECT
                                F24 END OF JOB

```

What to do

- To see the details of a transaction, type the reference number for the transaction into the **ENTER REFERENCE NUMBER FOR ADDITIONAL DETAIL** field, and press **Enter**. Go to display AMIS18.
- To see the transactions for a different order, item, warehouse, batch/lot, transaction type, or date range, type in the new information over the information shown in the heading and press **Enter**. The display appears again with the transaction information requested.

Function keys

USE ROLL UP/DOWN causes the next or previous page of transactions to appear.

F19 RETURN TO SELECT causes the Transaction History Inquiry Selection (Select) display (AMIS11) to appear.

F24 END OF JOB ignores any data you typed on this display and causes the menu to appear again.

Fields

[\[?\]](#) appears next to a field name in the following field definitions to identify a field from which you can begin a master file search.

The **ORDER** or **SCHEDULE, ITEM, WAREHOUSE, BATCH/LOT, TRANSACTION CODE**, and **DATE FROM and TO** fields appear with information you typed on the AMIS14 display. You can type over these fields to display information for a different order or schedule, item, warehouse, batch/lot, transaction code, or date range. You can also type a reference number in the **ENTER REFERENCE NUMBER FOR ADDITIONAL DETAIL** field. All other fields on this display are informational only.

ORDER (ORDNO). Required. Type in the order number for the transaction information.

[If COM is installed and interfacing with IM, a customer order number includes the company number and order type of the associated customer order.](#)

SCHEDULE (ORDNO). Required. Type in the schedule number for the transaction information if you perform the inquiry from REP.

ITEM (ITNBR) [?]. Type in the item number for the transaction information. Leave the field blank to see transactions for all items on the order.

WAREHOUSE (HOUSE). If you have multiple warehouses defined in the Warehouse Master file, type in the code of the warehouse associated with the item. Leave the field blank to see transactions for all warehouses.

If you have only one warehouse, the warehouse defined in the Warehouse Master file appears in this field and cannot be changed.

BATCH/LOT (LBHNO). Type in the batch or lot number for the transaction information. Leave the field blank to see information for all batch/lots for the items on the order. When an item is defined as having batch/lot control, all transactions involving that item must carry the batch/lot number.

TRANSACTION CODE (TCODE). Type in the two-letter code for the type of transaction information. Leave the field blank to see all types of transactions for the items on the order. For a description of all transaction codes available, see the explanation of display AMIS15 earlier in this section.

DATE FROM/TO. Type in the posting date limits for the transactions:

- Leave the **FROM** field blank to start with the earliest transaction in the file.
- Leave the **TO** field blank to include the latest transaction in the file.
- Leave both fields blank to see transactions for all dates.
- Type in the same date for both fields to see transactions posted only on that date.

The following fields make up the body of the display:

REF NO. (Reference Number). A unique number assigned by the system to each of the transactions shown. You can enter this number in the **ENTER REFERENCE NUMBER FOR ADDITIONAL DETAIL** field to see further information about this transaction.

TR CD (Transaction Code) (TCODE). A code for the type of inventory transaction. For a description of the transaction codes available, see the explanation of display AMIS15 earlier in this section.

POSTING DATE (UPDDT). The date when this transaction was posted, changing the application's on hand balance for the item.

ITEM NUMBER (ITNBR). The number of the item used in this transaction.

WAREHOUSE NO/LOCN (CITWH) (WHSLC). A code identifying the warehouse and the location within the warehouse of the item used in the transaction.

QUANTITY (TRQTY). The quantity of this transaction.

U/M (Stocking Unit of Measure) (STKUM). A user-assigned code that defines the measurement basis of on hand quantity and issue quantity for this item; for example, EA (each), KG (kilogram), or CM (centimeter).

BATCH/LOT (LBHNO). The number of the batch or lot of the item used in this transaction.

CMP CD (Completion Code) (CMPCD). The order completion code. Select one of the following codes:

blank	Partial receipt (default)
C	Order complete
P	Partial receipt
R	Reopen order (immediate update only)

ENTER REFERENCE NUMBER FOR ADDITIONAL DETAIL. To see more detail, type in the reference number of the transaction.

AMIS10—Transaction History—Summary by Line (Inquiry)

Use this display to select the transactions you want to see.

This display appears when you type **4** in the **SELECT INQUIRY** field on the Transaction History Inquiry Selection (Select) display (AMIS11).

Ranges are entered and interpreted as follows:

- If the **FROM** and **TO** fields are blank, then all data is selected.
- If the **FROM** and **TO** fields are both filled in, then data is selected if the record is equal to or greater than the **FROM** value and equal to or less than the **TO** value.
- If the **FROM** field is filled in and the **TO** field is blank, then all data equal to and greater than the **FROM** value is selected.
- If the **FROM** field is blank and the **TO** field is filled in, then all data up to and including the **TO** value is selected.

```
DATE **/**/**          TRANSACTION HISTORY          INQUIRY  AMIS10  **
                        SUMMARY BY LINE

PRODUCTION LINE aaaA5  TRANSACTION CODE A2

DATE FROM  nnnnnn  TO  nnnnnn

F19 RETURN TO SELECT
F24 END OF JOB
```

What to do

- To select the transaction to review, type in the production line and, optionally, the transaction code and the posting date limits and press **Enter**. Go to display AMIS19.
- To review only one type of transaction, type in the transaction code.

Function keys

F19 RETURN TO SELECT causes the Transaction History Inquiry Selection (Select) display (AMIS11) to appear.

F24 END OF JOB ignores any data you typed on this display and causes the menu to appear again.

Fields

[?] appears next to a field name in the following field definitions to identify a field from which you can begin a master file search.

PRODUCTION LINE (PLINE) [?]. Required. Type the production line for the transaction you want to review.

TRANSACTION CODE (TCODES). For IM, the transaction types are:

CA	Cost adjustment
CL	Component transfer to line
CN	Component transfer to stores
CR	Average cost replace
CS	Standard cost replace
CU	Standard unit cost default replacement
IA	Inventory adjustment
IP	Planned manufacture issue
IS	Miscellaneous issue
IU	Unplanned component issue
IW	Interwarehouse issue
IX	Uncontrolled floor stock
MQ	Manufacturing item QC complete
PH	Physical inventory update
PQ	Purchase item QC complete
RC	Miscellaneous receipt
RM	Production receipt
RP	P.O. receipt to stock
RQ	Shelf life expired - reject
RS	Component return to stock
RW	Interwarehouse receipt
SA	Sales shipment
SC	Manufacturing component scrap
SM	Manufacturing order scrap
SP	Purchase order scrap
SQ	QC status change
SS	Scrap from stock
VR	Purchase return to vendor

Contents	Index	Exit
--------------------------	-----------------------	----------------------

DATE FROM/TO. Type in the posting date limits for the transactions:

- Leave the **FROM** field blank to start with the earliest transaction in the file.
- Leave the **TO** field blank to include the latest transaction in the file.
- Leave both fields blank to see transactions for all dates.
- Type in the same date for both fields to see transactions posted only on that date.

Contents	Index	Exit
--------------------------	-----------------------	----------------------

AMIS19—Transaction History—Summary by Line (Inquiry)

Use this display to review transactions from the Transaction History file.

This display appears when you do one of the following:

- Enter a valid production line number, and optionally, transaction code and date range on display AMIS10.
- Enter a valid production line number and, optionally, transaction code and date range on this display (AMIS19).
- Press **Enter** on display AMIS18.

Ranges are entered and interpreted as follows:

- If the **FROM** and **TO** fields are blank, then all data is selected.
- If the **FROM** and **TO** fields are both filled in, then data is selected if the record is equal to or greater than the **FROM** value and equal to or less than the **TO** value.
- If the **FROM** field is filled in and the **TO** field is blank, then all data equal to and greater than the **FROM** value is selected.
- If the **FROM** field is blank and the **TO** field is filled in, then all data up to and including the **TO** value is selected.

```

DATE **/**/**          TRANSACTION HISTORY      INQUIRY   AMIS19  **
                        SUMMARY BY LINE

PRODUCTION LINE aaaA5    TRANSACTION CODE A2

DATE FROM  nnnnnn   TO  nnnnnn

REF TR  SCHEDULE  POSTING  W           ITEM NUMBER           QUANTITY           U/
NO  CD   DATE      DATE    H          *****           *,**.*.*.***     /M  REFERENCE
** ** **/**/**  **/**/**  *** *****           * ,***.*.*.***   ** *****
** ** **/**/**  **/**/**  *** *****           * ,***.*.*.***   ** *****
** ** **/**/**  **/**/**  *** *****           * ,***.*.*.***   ** *****
** ** **/**/**  **/**/**  *** *****           * ,***.*.*.***   ** *****
** ** **/**/**  **/**/**  *** *****           * ,***.*.*.***   ** *****
** ** **/**/**  **/**/**  *** *****           * ,***.*.*.***   ** *****
** ** **/**/**  **/**/**  *** *****           * ,***.*.*.***   ** *****
** ** **/**/**  **/**/**  *** *****           * ,***.*.*.***   ** *****
** ** **/**/**  **/**/**  *** *****           * ,***.*.*.***   ** *****
** ** **/**/**  **/**/**  *** *****           * ,***.*.*.***   ** *****
** ** **/**/**  **/**/**  *** *****           * ,***.*.*.***   ** *****
** ** **/**/**  **/**/**  *** *****           * ,***.*.*.***   ** *****
** ** **/**/**  **/**/**  *** *****           * ,***.*.*.***   ** *****
** ** **/**/**  **/**/**  *** *****           * ,***.*.*.***   ** *****

          99 ENTER REFERENCE NUMBER FOR ADDITIONAL DETAIL

                                USE ROLL UP/DOWN
                                F19 RETURN TO SELECT
                                F24 END OF JOB
    
```

What to do

- To review another transaction, type in the production line, transaction code, and date and press **Enter**.
- To see the details of a transaction, type the reference number for the transaction into the **ENTER REFERENCE NUMBER FOR ADDITIONAL DETAIL** field and press **Enter**. Go to display AMIS18.

Function keys

USE ROLL UP/DOWN causes the next or previous page of transactions to appear.

F19 RETURN TO SELECT causes the Transaction History Inquiry Selection (Select) display (AMIS11) to appear.

F24 END OF JOB ignores any data you typed on this display and causes the menu to appear again.

Fields

[?] appears next to a field name in the following field definitions to identify a field from which you can begin a master file search.

The **PRODUCTION LINE**, **TRANSACTION CODE**, and **DATE FROM and TO** fields appear with information you typed on display AMIS10. You can type over these fields to select information for a different production line, transaction code, or date range. The **PRODUCTION LINE** field is required. You can also type a reference number in the **ENTER REFERENCE NUMBER FOR ADDITIONAL DETAIL** field. All other fields on this display are informational only.

PRODUCTION LINE (PLINE) [?]. Type in the production line for the transaction information.

TRANSACTION CODE (TCODE). Type in the two-letter code for the type of transaction information. Leave the field blank to see all types of transactions for the item. For a description of the transaction codes available, see the explanation of display AMIS15 earlier in this section.

DATE FROM/TO. Type in the posting date limits for the transactions to review:

- Leave the **FROM** field blank to start with the earliest transaction in the file.
- Leave the **TO** field blank to include the latest transaction in the file.
- Leave both fields blank to see transactions for all dates.
- Type in the same date for both fields to see transactions posted only on that date.

The following fields make up the body of the display:

REF NO (Reference Number). A unique number assigned by the system to each of the transactions shown. You can enter this number in the **ENTER REFERENCE NUMBER FOR ADDITIONAL DETAIL** field to see further information about this transaction.

TR CD (Transaction Code) (TCODE). The two-letter code for the type of inventory transaction. For a description of the transaction codes available, see the explanation of display AMIS10 earlier in this section.

SCHEDULE DATE (DATSC). The date of the schedule.

POSTING DATE (UPDDT). The date when this transaction was posted, changing the application's on hand balance for the item.

WH (HOUSE). The code identifying the warehouse used in the transaction.

Contents	Index	Exit
--------------------------	-----------------------	----------------------

ITEM NUMBER (ITNBR). The item number entered in this transaction.

QUANTITY (TRQTY). The quantity of this transaction.

U/M (Unit of Measure) (ENTUM). The unit of measure for the item entered with this transaction. If no unit of measure was entered, the stocking unit of measure (STKUM) appears.

REFERENCE (REFNO). The user-defined reference code entered with this transaction.

ENTER REFERENCE NUMBER FOR ADDITIONAL DETAIL. To see more detail, type in the reference number of the transaction.

AMIS18—Transaction History—Detail (Inquiry)

Use this display to review additional details about a transaction shown on display AMIS15, AMIS16, or AMIS17.

This display appears when you enter a valid reference number on display AMIS15, AMIS16, AMIS17, or AMIS19.

```

DATE **/**/**          TRANSACTION HISTORY          INQUIRY  AMIS18  **
                        DETAIL                      * CALCULATED
ITEM *****          *****          TYPE *  CLS **** MLI *
WH ***  LOCN *****  LINE *****  OPER ****  BATCH/LOT *****  FIFO **/**/**
ORD POL *  STK U/M **  PLANNER *****  ENGR DRAWING *****
VENDOR CATALOG *****          COUNTRY OF ORIGIN ***
*MRO*  WORK ORDER-TASK: *****  COST CODE: *****
WH -----TRANSACTION----- SCHEDULE / WH LOC -----RESULTING-----
NO. CODE  QUANTITY UM  DATE          DATE  BCH/LOT  ON-HAND  *, **, ***, ****
*** ** ***** ** **/**/** ***** *****  ON-ORDER *, **, ***, ****
***** ***** **/**/** ***** *****  ALLOCATED *, **, ***, ****
GRN *****          MATCHED QTY          nnnnnnnnnn.nnnn
TRF CMP BLK USER      TRANS AMT/  VENDOR/ NEXT WH  -----PREVIOUS-----
WH CD  REL  SEQ      SALES COST  REASON  LOCATION  ON-HAND  *, **, ***, ****
*** *  ***  *** ***** ***** *****  ON-ORDER *, **, ***, ****
***** ***** ***** ***** *****  ALLOCATED *, **, ***, ****

-----DATE LAST----- --FLAGS--- BATCH/  PREVIOUS LAST COST  REFERENCE
O.H. CHG  CYC/PHYS  SAL QC INV  WS-ID  AVERAGE COST
**/**/** **/**/** * * * *  * * * *  ***** ***** *****
***** ***** ***** ***** *****
                                         USE ROLL UP/DOWN
                                         F19 RETURN TO SELECT
                                         F24 END OF JOB

```

What to do

- To return to the transaction summary display, press **Enter**.
- To return to the Transaction History Inquiry Selection display (AMIS11), use **F19**.

Function keys

USE ROLL UP/DOWN causes the next or previous transaction to appear.

F19 RETURN TO SELECT causes the Transaction History Inquiry Selection (Select) display (AMIS11) to appear.

F24 END OF JOB causes the menu to appear again.

Fields

All the fields on this display are informational only. The word *CALCULATED appears if the transaction amount was calculated by the system rather than entered by the user.

ITEM (ITNBR). Number of the item, which can be any raw material, manufactured or purchased part, subassembly, assembly, or end item.

Description (ITDSC). This field appears to the right of the **ITEM** field but has no heading. It contains the description of the item that appears on invoices, inquiries, and reports.

TYPE (Item Type Code) (ITYP). The item type code that best describes the item. The available codes are:

- 0** Phantom
- 1** Assembly or subassembly
- 2** Fabricated item
- 3** Raw material
- 4** Purchased item
- 9** User option
- F** Feature
- K** Kit

CLS (Item Type Class) (ITCLS). The user-assigned code that describes the classification to which this item belongs. For example, ST might be used to code all items made of steel.

MLI (Master Level Item Code) (MLICD). One of the codes used by MRP (if installed and interfacing) to indicate whether this item is a Master Level Item and, if so, which requirements to use when planning orders for it.

WH (HOUSE). The code of the warehouse associated with the item number above.

LOCN (WHSQC). The user-defined code indicating the location of the item in the warehouse.

LINE (PLINE). The production line used in this transaction. This field appears only if REP is installed and interfacing.

OPER (OPSEQ). The operation sequence number used with this transaction. This field appears only if REP is installed and interfacing.

BATCH/LOT (LBHNO). The number of the batch or lot of this item used in this transaction. This field appears only for a controlled warehouse.

FIFO (FDATE). The date the item was received in the warehouse. This field appears only if you selected the FIFO date integrity option during application tailoring.

ORD POL (Order Policy Code) (ORDPC). A code that identifies the order policy used to plan replenishment orders for this item. The available codes are:

- A** Discrete order quantity
- B** Order point, order quantity
- C** Order point, order up to level
- D** Fixed quantity
- F** Part-period balancing – standard cost
- G** Time periods of supply
- H** Discrete above a minimum quantity
- I** Part-period balancing – current cost
- Z** User option

STK U/M (Stocking Unit of Measure) (UNMSR). A user-assigned code that defines the measurement basis of on hand quantity and issue quantity for this item; for example, EA (each), KG (kilogram), or CM (centimeter).

Contents	Index	Exit
--------------------------	-----------------------	----------------------

PLANNER (PLANN). The user-assigned number that identifies the person responsible for planning the replenishment strategy for this item.

ENGR DRAWING (Engineering Drawing Number) (ENGNO). The item's engineering drawing number. This field comes from the purchase order if one was entered there. If not, this field is the value from Item Master.

VENDOR CATALOG NUMBER. The catalog number used by the vendor for this item. This field comes from the purchase order.

COUNTRY OF ORIGIN. A code defined by your company that indicates where the item is manufactured.

The next four fields appear for Maintenance, Repair, and Overhaul (MRO) items if IM is interfacing with the Maintenance Management System (MMS).

***MRO* (Maintenance Repair Overhaul Item).** Indicates that this is a spare part or a service item.

WORK ORDER. The number of the work order that originated in MMS.

TASK. Identifies a step on the work order. It represents the task to charge field, not the task sequence number.

COST CODE. The cost category that MMS uses to accumulate a specific cost associated with this work order or item. It is used only for non-stores and service items in MMS.

WH NO (HOUSE). The code of the warehouse associated with the detail transaction for the item number above.

TRANSACTION CODE (TCODE). A code identifying the type of transaction. A brief description of the transaction type appears on the line below the code.

A transaction code preceded by an R indicates a reversal transaction.

TRANSACTION QUANTITY (TRQTY). The quantity associated with this transaction.

TRANSACTION UM (ENTUM). The unit of measure for the item associated with this transaction.

TRANSACTION DATE (TRNDT). The date entered with this transaction.

ORDER NO (ORDNO). The number of the customer, purchase, or manufacturing order to which the transaction belongs.

If REP is installed and interfacing, the field name changes to SCHEDULE/DATE. The schedule number starts with S, and the date of the schedule appears below the number.

If COM is installed and interfacing with IM, a customer order number includes the company number and order type of the associated customer order.

Contents	Index	Exit
--------------------------	-----------------------	----------------------

WH LOCATION (LLOCN). The code for the location where the item used in this transaction was stored. For interwarehouse transactions, this code shows the location from which the item used in the transaction was picked. This field appears for controlled warehouses.

BCH/LOT (LBHNO). The previous identification of a specific batch or lot of an item that appears only for LQ (Change Batch/Lot Number) transactions.

RESULTING ON-HAND (NUQOH). The quantity of this item in stock after this transaction was posted.

RESULTING ON-ORDER (NUQOO). The total quantity of this item on open purchase or manufacturing orders after this transaction was posted.

RESULTING ALLOCATED (NUALC). The total quantity of this item allocated for both manufacturing orders and sales order picking lists after this transaction was posted.

GRN (Goods Received Note). This field appears if the GRN option was selected during application tailoring or if IFM is installed and interfacing. The number of the goods received note corresponds to a receipt. This field is user-defined and can represent a receiving ticket, a bill of lading, or an IFM invoice number. The GRN is used by the accounts payable department to check that invoiced items were actually received.

MATCHED QUANTITY. This field appears only if IFM is interfacing and you selected invoice-to-receipt matching. The total quantity of this receipt already matched to an IFM invoice.

TRF WH (Transfer Warehouse) (TRWHS). The warehouse to which this item was transferred. This field applies only to interwarehouse transfer transactions.

CMP CD (Completion Code) (CMPCD). The order completion code. Valid codes are:

blank	Partial receipt (default)
C	Order complete
P	Partial receipt
R	Reopen order

BLK REL (Blanket Release) (BLKSQ). The blanket release sequence number for a purchase transaction applied to a specific release.

USER SEQ (USRSQ). The user-defined sequence number of the component in the Manufacturing Order Detail record or the line item sequence number of a purchase order.

TRANSACTION AMT (TRAMT). This field appears only if you are authorized to review cost fields. It shows the value originally entered with the transaction.

Note: An asterisk following this field indicates no amount was entered on the transaction. The amount shown was calculated by multiplying transaction quantity by the current STP cost.

SALES COST. This field appears only if you are authorized to review cost fields. If this is a Sales Shipment (SA) transaction, this field shows the calculated cost amount.

Contents	Index	Exit
--------------------------	-----------------------	----------------------

VENDOR/REASON (VNDNR) (REASN). The vendor number and the reason code originally entered with the transaction.

NEXT WH LOCATION (LLOCN). The code for the location where the quantity of the item used in the transaction was moved. This field applies only to interwarehouse transfer transactions.

PREVIOUS ON-HAND (PRQOH). The quantity of this item in stock before this transaction was posted.

PREVIOUS ON-ORDER (PRQOO). The total quantity of this item on open purchase or manufacturing orders before this transaction was posted.

PREVIOUS ALLOCATED (PRALQ). The total quantity of this item allocated for both manufacturing orders and sales order picking lists (if COM is installed and interfacing) before this transaction was posted.

DATE LAST O. H. CHG (Date of Last On Hand Change) (LDQOH). The last date that this item's on hand quantity was changed.

DATE LAST CYC/PHYS (Date of Last Cycle/Physical Count) (LPHDT). The date this item was last counted in a cycle count or physical inventory.

FLAGS SAL (Sales Flag) (SAFLG). A code that indicates if this item is tracked in Sales Analysis. The codes are:

- 1 Tracked in Sales Analysis
- 0 Not tracked in Sales Analysis

FLAGS QC (QC Type Code) (QCFLG). A code that indicates the quality control type of the item. The codes are:

- 1 The item is within shelf life, and inspection is not yet required.
- 2 The item does not have shelf life.
- 6 The item is waiting inspection due to expiration of shelf life.
- 7 The manufactured item is waiting for inspection on receipt.
- 8 The item is rejected, waiting for disposal or rework.
- 9 The purchased item is waiting for inspection on receipt.

FLAGS INV (Inventory Code) (INVFG). A code that indicates the inventory status of this item. The codes are:

- 01 Inventory item
- 02 Miscellaneous item
- 03 Service item
- 04 Non-Inventory item (COM)

BATCH/WS-ID (BATCH) (TRMID). The batch number in which this transaction was entered and the identifier of the work station where the transaction was originally entered.

PREVIOUS STD. COST (PCOST). This field appears only if you are authorized to review cost fields. The field name changes to PREVIOUS AVG COST (average), or PREVIOUS LAST COST depending on the costing option selected during application tailoring. It shows the unit cost for this item before this transaction was posted.

Contents	Index	Exit
--------------------------	-----------------------	----------------------

AVERAGE COST (AVCST). This field appears only if you are authorized to review cost fields. It shows the average unit cost for this item after this transaction was posted.

REFERENCE (REFNO) . The reference number assigned by your company to relate this order to other orders.

Option 2. Transaction History Reports (AMIM80)

Use this option when you need a detailed report of inventory transaction history.

What information you need: You need to know the type of report you want to print. Depending on the type of report, you may also need to know:

- The sequence of the report:
 - By item
 - By warehouse
 - By order
 - By transaction type.
- The report format:
 - Multiple items per page
 - One item per page (sequenced by item or by warehouse only).
- The date sequence:
 - Ascending sequence (earliest date first) by posting date. The report uses the transaction date if batch/lot support is active.
 - Descending sequence (latest date first) by posting date. The report uses the transaction date if batch/lot support is active.
 - The inventory amount at the beginning of the report.
- The type of cost to be applied.
- If you are not printing all transactions in the file, you also need the following information for the transactions you want to include:
 - Warehouse codes
 - Item numbers
 - Transaction or posting dates (transaction dates if batch/lot support is active)
 - Order numbers
 - Transaction types
 - Batch/lot numbers
 - Reason codes.

What reports are printed: One of the following reports is printed, depending on the type of report and the format you choose.

- Transaction History–Single Item (AMI2Z2)
- Transaction History–Multiple Items (AMI2Z3)
- Transaction Analysis–Summary (AMICU1)
- Transaction Analysis–Detail (AMICU2)
- Batch/Lot Review–Item History (AMIS11)
- Batch/Lot Review–Batch/Lot History (AMIS12)
- Batch/Lot Review–Order History (AMIS13).

What forms you need: None.

The basic steps to print a report follow each display.

AMI2U1—Transaction History—Report Selection (Select)

Use this display to select the type of transaction history report to be printed.

This display appears when you select option 2 on the Transaction History menu (AMIM80).

```
DATE **/**/**          TRANSACTION HISTORY          SELECT  AMI2U1 **
                        REPORT SELECTION

                        SELECT REPORT  n
                        1  TRANSACTION HISTORY
                        2  TRANSACTION ANALYSIS
                        3  BATCH/LOT REVIEW

                        F24 CANCEL THE JOB
```

What to do

To print the report, type in your selection for the report and press **Enter**. The report options display appears for the kind of report you selected:

- For Transaction History reports, display AMI2U2 appears.
- For Transaction Analysis reports, display AMI2U3 appears.
- For Batch/Lot Review reports, display AMI2U4 appears.

Function keys

F24 CANCEL THE JOB ignores any data you typed on this display causes the Transaction History menu (AMIM80) to appear again.

Contents	Index	Exit
--------------------------	-----------------------	----------------------

Fields

SELECT REPORT. Required. Type in the number for the kind of report to be printed. The reports you can select are listed below. For each kind of report, you select report options that determine the report that is printed.

- 1 Transaction History reports
 - Transaction History-Single Item (AMI2Z2)
 - Transaction History-Multiple Items (AMI2Z3)
- 2 Transaction Analysis reports
 - Transaction Analysis-Summary (AMICU1)
 - Transaction Analysis-Detail (AMICU2)
- 3 Batch/Lot Review reports
 - Batch/Lot Review-Item History (AMIS1)
 - Batch/Lot Review-Batch/Lot History (AMIS2)
 - Batch/Lot Review-Order History (AMIS3)

AMI2U2—Transaction History—Report Options (Select)

Use this display to select the options for the Transaction History reports.

This display appears when you select option 1 on the Transaction History Report Selection (Select) display (AMI2U1).

```

DATE **/**/**          TRANSACTION HISTORY          SELECT  AMI2U2  **
                        REPORT OPTIONS

SEQUENCE: n            PAGE FORMAT: n                DATE SEQUENCE: n
 1 ITEM                1 MULTIPLE ITEM PER PAGE        1 ASCENDING
 2 WAREHOUSE           2 SINGLE ITEM PER PAGE          2 DESCENDING
 3 ORDER/SCHED         (APPLIES TO SEQUENCE 1 OR 2 ONLY)
 4 TRANSACTION TYPE

                        USE TRANSACTION OR POSTING DATE (T/P)  A
                        INCLUDE RESTORED HISTORY <Y/N>         A

OPTIONAL REPORT LIMITS:
  WAREHOUSE            FROM aA3                TO aA3
  ITEM NUMBER          FROM aaaaaaaaaA15        TO aaaaaaaaaA15
  DATE                 FROM nnnnnn             TO nnnnnn
  ORDER NUMBER         FROM nn A2 aaaaaA7       TO nn A2 aaaaaA7
  TRANSACTION TYPE     FROM A2                  TO A2

NOTE: IF NO LIMITS ARE ENTERED, ALL TRANSACTIONS WILL BE PRINTED

                                                F19 RETURN TO SELECT
                                                F24 CANCEL THE JOB

```

What to do

To select the report options, type in the report sequence, limits, and format and press **Enter**. The Transaction History report is scheduled to print.

- If you selected the single-item format, report AMI2Z2 prints.
- If you selected the multiple-item format, report AMI2Z3 prints.

Function keys

F19 RETURN TO SELECT causes the Transaction History Report Selection (Select) display (AMI2U1) to appear.

F24 CANCEL THE JOB ignores any data you typed on this display and causes the Transaction History menu (AMIM80) to appear again.

Fields

SEQUENCE. Required. The report sequence can be by:

- 1 Item number. This is the default.
- 2 Warehouse.
- 3 Order number or schedule, if REP is installed and interfacing.
- 4 Transaction type.

Contents	Index	Exit
--------------------------	-----------------------	----------------------

The exact sequence is also affected by posting date and time and transaction date and time. For detailed information about each sequence, see the description of the report you want to print (AMI2Z2 or AMI2Z3) in Chapter 14, "Report descriptions".

PAGE FORMAT. Required. The report format can print transactions for multiple items per page or for a single item per page. The valid codes are:

- 1 Multiple item per page. This is the default.
- 2 Single item per page. You can type in 2 only when the **SEQUENCE** field value is 1 or 2.

DATE SEQUENCE. Required. The valid codes are:

- 1 Ascending. This is the default.
- 2 Descending. You can accept the default or change it to 2 for descending sequence by date.

USE TRANSACTION OR POSTING DATE <T/P>. Required. The date sequence of the report. Select one of the following codes:

- T Transaction date sequence. This is the default.
- P Posting date sequence.

INCLUDE RESTORED HISTORY <Y/N>. Required. The valid codes are:

- Y Include restored transactions. This is the default.
- N Do not include restored transactions.

OPTIONAL REPORT LIMITS. The following fields allow you to specify limits for printing the report. If no limits are entered, all items are printed. You can use one or any combination of these limits.

WAREHOUSE FROM and TO. If you have multiple warehouses defined in the Warehouse Master file, type in the codes for the range of warehouses to be used on the report. If you have multiple warehouses and you leave these fields blank, all warehouses are shown on the report.

ITEM NUMBER FROM and TO. Type in the range of item numbers to appear on the report.

DATE FROM and TO. Type in the range of transaction or posting dates to appear on the report.

ORDER NUMBER FROM and TO. The field name changes to ORDER/SCHED FROM and TO if REP is installed and interfacing. Type in the beginning and ending purchase, manufacturing, customer order, or schedule numbers you want to print on the report.

If COM is installed and interfacing with IM, a customer order number includes the company number and order type of the associated customer order. Type the company, order type, and order number.

TRANSACTION TYPE FROM and TO. Required. Type in the codes for the alphabetic range of transaction types to appear on the report. The available codes are:

- CA Cost adjustment
- CL Component transfer to line
- CN Component return to stores

Contents	Index	Exit
--------------------------	-----------------------	----------------------

CQ	Cyclic item QC complete
CR	Average cost replacement
CS	Standard cost replacement
CU	Standard unit cost default replacement
IA	Inventory adjustment
IP	Planned manufacturing issue
IS	Miscellaneous issue
IU	Unplanned component issue
IW	Interwarehouse issue
IX	Uncontrolled floor stock
LA	Location quantity maintenance
LQ	Batch/lot number change
MQ	Manufactured item QC complete
MI	Miscellaneous item issue
MR	Miscellaneous item receipt
PB	Pick complete by item
PC	Pick complete by order
PH	Physical inventory adjustment
PQ	Purchase item QC complete
PS	Production status
RC	Miscellaneous receipt
RD	Purchase order receipt to dock
RI	Purchase order receipt to inspection
RL	Replenishments
RM	Production/schedule receipt
RO	Operation receipts
RP	Purchase order receipt to stock
RQ	Rejected item QC complete
RS	Component return to stock
RW	Interwarehouse receipt
SA	Sales shipment
SC	Manufacturing component scrap
SM	Manufacturing order/schedule scrap
SP	Purchase order scrap
SQ	Quality control status change
SS	Scrap from stock
TW	Interwarehouse transfer
VA	Purchase order vendor accept
VR	Purchase return to vendor

Note: The CL, PS, RL and RO transaction codes are only available if REP is installed and interfacing.

AMI2U3—Transaction Analysis (Select)

Use this display to select the type of Transaction Analysis Report to be printed.

This display appears when you select option 2 on the Transaction History Report Selection (Select) display (AMI2U1).

```
DATE **/**/**          TRANSACTION ANALYSIS          SELECT          AMI2U3  **

          TRANSACTION DATE FROM  nnnnnn TO  nnnnnn
          WAREHOUSE   aA3

INVENTORY AMOUNT AT BEGINNING OF REPORT  nnnnnnnn.nn

COST TO BE APPLIED  n                                TYPE  n
          1  STANDARD                                1  SUMMARY
          2  LAST                                    2  DETAIL
          3  AVERAGE
          4  HISTORIC

          F19 RETURN TO SELECT
          F24 CANCEL THE JOB
```

What to do

To print the report, type in the transaction dates, warehouse, beginning inventory amount, the kinds of costs to be applied, and the type of report and press **Enter**.

One of the following reports is scheduled to print:

- Transaction Analysis – Summary (AMICU1)
- Transaction Analysis – Detail (AMICU2)

The Transaction History menu (AMIM80) appears again.

Function keys

F19 RETURN TO SELECT causes the Transaction History Report Selection (Select) display (AMI2U1) to appear.

F24 CANCEL THE JOB ignores any data you typed on this display and causes the Transaction History menu (AMIM80) to appear again.

Fields

TRANSACTION DATE FROM and TO. Type in the transaction date limits for the transactions to be included in the report:

- Leave the **FROM** field blank to start with the earliest transaction in the file.
- Leave the **TO** field blank to include the latest transaction in the file.

Contents	Index	Exit
--------------------------	-----------------------	----------------------

- Leave both fields blank to see transactions for all dates.
- Type in the same date for both fields to see transactions for only that date.

WAREHOUSE. If you have multiple warehouses defined in the Warehouse Master file, type in the code of the warehouse to be used on the report. If you have multiple warehouses and you leave this field blank, all warehouses are shown on the report.

If you have only one warehouse, the warehouse defined in the Warehouse Master file appears in this field and cannot be changed.

INVENTORY AMOUNT AT BEGINNING OF REPORT. Type in the value of inventory as of the start date (FROM date) of the report. If you leave this field blank, zeros are used.

COST TO BE APPLIED. Required. Type in a code for the type of costing to be used in the report:

- 1** Standard (Default). Base the report on the standard cost as stored in the Item Balance file. If that value is zero, the unit cost default from the Item Master A-record is used.
- 2** Last. Base the report on the last cost as stored in the Item Balance file. If that value is zero, the unit cost default from the Item Master A-record is used.
- 3** Average. Base the report on the average cost as stored in the Item Balance file. If that value is zero, the unit cost default from the Item Master A-record is used.
- 4** Historic. Base the report on the Transaction Amount as stored in the IM History file. If this field is blank, use the current STP cost. This selection is available only for the detail report.

TYPE. Type in a code for the amount of detail to be printed on the report:

- 1** Summary. Print a summary report listing all transaction types and the value of all transactions posted between the report start and end dates.
- 2** Detail. Print a detail report listing the value of each transaction posted between the report start and end dates. The report also lists for each transaction the transaction date, item, warehouse, location, batch/lot, unit of measure, and item quantity.

Note: Leave this field blank to print both the summary and detail reports.

AMI2U4—Batch/Lot Review (Select)

Use this display to select the type of Batch/Lot report you want printed.

This display appears when you select option 3 from the Transaction History Report Selection (Select) display (AMI2U1).

```
DATE 1/25/**                BATCH/LOT REVIEW                SELECT    AMI2U4 #2

                                OPTION  N

                                1  ITEM HISTORY                WAREHOUSE aA3
                                2  BATCH/LOT HISTORY            TRANSACTION CODE A2
                                3  ORDER HISTORY

ITEM                FROM aaaaaaaaaaA15 TO aaaaaaaaaaA15
BATCH/LOT           FROM aaaaaaaA10  TO aaaaaaaA10
ORDER               FROM nn A2 aaaaaA7 TO nn A2 aaaaaA7
TRANSACTION DATE    FROM nnnnnn      TO nnnnnn
REASON CODE         FROM aaaaA6      TO aaaaA6

                                F19 RETURN TO SELECT
                                F24 CANCEL THE JOB
```

What to do

To print the report, type in your options for the report and the from and to limits and press **Enter**.

One of the following reports is scheduled to print:

- Option 1 Batch/Lot Review – Item History (AMIS11)
- Option 2 Batch/Lot Review – Batch/Lot History (AMIS12)
- Option 3 Batch/Lot Review – Order History (AMIS13)

The Transaction History menu (AMIM80) appears again.

Function keys

F19 RETURN TO SELECT causes the Transaction History Report Selection (Select) display (AMI2U1) to appear.

F24 CANCEL THE JOB ignores any data you typed on this display and causes the Transaction History menu (AMIM80) to appear again.

Fields

OPTION. Required. Type in a code for the type of report:

Contents	Index	Exit
--------------------------	-----------------------	----------------------

- 1** Item history. Print a report of transaction history within the specified limits and sorted by item number.
- 2** Batch/lot history. Print a report of transaction history within the specified limits and sorted by batch/lot number.
- 3** Order history. Print a report of transaction history within the specified limits and sorted by order number.

WAREHOUSE. If you have multiple warehouses defined in the Warehouse Master file, type in the code of the warehouse to be used on the report. If you have multiple warehouses and you leave this field blank, all warehouses are shown on the report. If you have only one warehouse, the warehouse defined in the Warehouse Master file appears in this field and cannot be changed.

TRANSACTION CODE. Type in the code for the type of transactions to be printed on the report. Leave this field blank to include all types of transactions on the report.

ITEM FROM and TO. Type in the range of item numbers to be printed on the report.

BATCH/LOT FROM and TO. Type in the range of batch/lot numbers to be printed on the report.

ORDER FROM and TO. The field name changes to ORDER/SCHED FROM and TO if REP is installed and interfacing. Type in the beginning and ending purchase, manufacturing, customer order, or schedule numbers you want to print on the report.

If COM is installed and interfacing with IM, a customer order number includes the company number and order type of the associated customer order.

Type the company, order type, and order number.

TRANSACTION DATE FROM and TO. Type in the range of transaction dates to be printed on the report.

REASON CODE FROM and TO. Type in the range of reason codes to be printed on the report.

Option 3. Purge/Save Transaction History (AMIM80)

Use this option when you need to purge and (optionally) save or print transactions from the Transaction History file. You can purge transactions either at the end of a period or when you need additional space in the file.

Use this process to improve performance and reduce disk requirements. The system uses logical files to process records in IMHIST. It only reads records that meet the selection criteria. The system writes purged records to a temporary save file and deletes them from IMHIST, saving disk space. You can use the purged records in the save file for use as recovery records in case of an abnormal termination.

The prompt panels for tape mounting procedures appear when you select the runtime options for Purge/Save, allowing for unattended purge.

Note: Be sure to print the Transaction History report (AMI2Z2 or AMI2Z3) before purging the Transaction History file. If you have not printed the report, select the option to print the purged transactions.

If IFM is interfacing, and you are matching receipts to invoices, an inventory transaction will not be purged until it is fully matched or until the corresponding purchase order is no longer open.

What information you need:

- Whether you want to print the purged transactions.
- Whether you want to save the purged transactions.
- The transaction or posting date on or before which all transactions should be purged. (The transaction date is required if you have selected batch/lot control.)
- The warehouses from which the transactions should be purged.
- Whether you want to print the report in ascending (earliest date first) or descending (latest date first) order.

What reports are printed:

- Transaction History–Purge Options report (AMI2W1). This report is always printed when you purge transactions.
- Transaction History–Multiple Items report (AMI2Z3). This report is printed only if you choose to print the purged transactions.

What forms you need: None

The basic steps to print a report follow each display.

AMI2X1—Transaction History—Purge Options (Select)

Use this display to select the transactions to be purged from the Transaction History file. You can also choose to print the transactions and to save them to a tape file.

This display appears when you select option 3 on the Transaction History menu (AMIM80).

```
DATE **/**/**          TRANSACTION HISTORY          SELECT  AMI2X1  **
                        PURGE OPTIONS

PRINT PURGED TRANSACTIONS <Y/N>          A
SAVE PURGED TRANSACTIONS <Y/N>          A

PURGE TRANSACTIONS DATED ON OR BEFORE  nnnnnn
PURGE BASED ON TRANSACTION DATE OR DATE POSTED <T/P>          A

PURGE TRANSACTIONS FROM WAREHOUSE  aA3  TO WAREHOUSE  aA3

PRINT PURGE REPORT IN ASCENDING OR DESCENDING ORDER <A/D>  A

REORGANIZE HISTORY FILE THIS TIME (Y/N)  A

                                     F24 CANCEL THE JOB
```

What to do

To purge and save the transactions to tape or print them, type in the requested information and press **Enter**. The purging process begins. It will print the Transaction History – Purge Options report (AMI2W1).

This report shows the purge options you selected. If you selected the option to print the transactions, the Transaction History – Multiple Items report (AMI2Z3) is also scheduled for printing.

The Transaction History menu (AMIM80) appears again.

If you save the purged transactions, you are requested to specify the name of the tape drive and then to load the tape. When the saving is complete, the Transaction History menu (AMIM80) appears again, and you are requested to remove the tape. Refer to the Back Up/Recover/Reorganize chapter of the *CAS User's Guide* for further detail on saving files.

Function keys

F24 CANCEL THE JOB ignores any data you typed on this display and causes the Transaction History menu (AMIM80) to appear again.

Contents	Index	Exit
--------------------------	-----------------------	----------------------

Fields

All of the fields on this display are required except the **PURGE TRANSACTIONS FROM WAREHOUSE** and **TO WAREHOUSE** fields.

PRINT PURGED TRANSACTIONS <Y/N>. Required. Type in a code to indicate if the purged transactions are to be printed.

- N** Do not print the purged transactions.
- Y** Print the transactions before they are purged. This is the default.

If you have not already used a Transaction History report to print a record of the transactions, accept the default of Y.

SAVE PURGED TRANSACTIONS <Y/N>. Required. Type in a code to indicate if purged transactions are to be saved on tape.

- Y** Save the transactions. This is the default.
- N** Do not save the transactions.

PURGE TRANSACTIONS DATED ON OR BEFORE. Required. Type in the date on or before which all transactions should be purged.

PURGE BASED ON TRANSACTION DATE OR DATE POSTED <T/P>. Required. Type in the type of date to be used for the purge. The default is T.

- P** Posting date
- T** Transaction date

PURGE TRANSACTIONS FROM WAREHOUSE/TO WAREHOUSE. These fields are used to indicate the range of warehouses from which transactions are to be purged. They appear only if you have multiple warehouses defined in the Warehouse Master file. Complete these fields as follows:

- Leave the **FROM WAREHOUSE** field blank to begin the purge with the first warehouse that has transactions in the file.
- Leave the **TO WAREHOUSE** field blank to complete the purge with the last warehouse that has transactions in the file.
- Leave both fields blank to purge transactions from all warehouses in the file.
- To purge transactions within a specific range of warehouses, type the lowest warehouse code in the **FROM WAREHOUSE** field and the highest warehouse code in the **TO WAREHOUSE** field.
- To purge transactions in a single warehouse, type the code for that warehouse in both the **FROM WAREHOUSE** and **TO WAREHOUSE** fields.

PRINT PURGE REPORT IN ASCENDING OR DESCENDING ORDER <A/D>. Required. The report sequence is item, warehouse, and date.

- A** Print the report in ascending date order (earliest date first). This is the default.
- D** Print the report in descending date order (latest date first).

Contents	Index	Exit
-----------------	--------------	-------------

REORGANIZE HISTORY FILE THIS TIME <Y/N>. Required. Type in a code to indicate if you want IM to reorganize the history file during this purge/save.

- Y** Reorganize the history file. This is the default.
- N** Do not reorganize the history file.

AMIPDHFM—Save History File to Tape

Use this display to review information about the purge/save process.

This display appears after you have pressed **Enter** on the Transaction History Purge Options display (AMI2X1).

```
DATE **/**/**          SAVE HISTORY FILE TO TAPE          AMIPDHFM **

Transaction history file IMHIST is being purged .....
This may take some time.
or Purged transaction history records are being printed.....
or Transaction history file IMHIST is being reorganized.....
This may take some time.
or Purge/Save Transaction History completed successfully.
Date: **/**/**          Time: **:**:**

Press ENTER to complete.
```

What to do

Depending on the process that is taking place, one of the four messages shown on the display will appear. You must press **Enter** after each message appears to continue with the process.

If the system terminates the last purge/save function abnormally, an informational window appears. It recommends that you use the default selections on display AMI2X1 to reprocess the save/purge operation.

The Transaction History menu (AMIM80) appears again.

Contents	Index	Exit
--------------------------	-----------------------	----------------------

Option 4. Restore Transaction History (AMIM80)

Use this option when you want to restore transaction history records to the system for use in inquiries and reports. The transactions are stored in the Restored Transaction History file.

What information you need: Whether you want to add to the existing records in the Restored Transaction History file or to replace these records.

Where you begin: Start with the Transaction History menu (AMIM80). Select option 4. Then go to step 1.

What reports are printed: None.

What forms you need: None.

The basic steps to restore transactions follow each display.

AMI2R1—Transaction History—Restore Options (Select)

Use this display to restore transactions purged and saved from the Transaction History file onto the system again for use in inquiries and reports. The transactions are stored in the Restored Transaction History file.

This display appears when you select option 4 on the Transaction History menu (AMIM80).

```
DATE **/**/**          TRANSACTION HISTORY          SELECT  AMI2R1  **
                        RESTORE OPTIONS

ENTER CHOICE  A

1  ADD TO HISTORY WORK FILE
2  REPLACE HISTORY WORK FILE

F24 CANCEL THE JOB
```

What to do

To restore transaction history records to the system, type in the requested information and press **Enter**. After you type in **1** or **2**, display AMI2R2 appears.

Function keys

F24 CANCEL THE JOB ignores any data you typed on this display and causes the Transaction History menu (AMIM80) to appear again.

Fields

ENTER CHOICE. Required. Type in the number for the way you want saved transactions restored onto the system:

- 1** Add to History Work file. Restore saved transactions to the system without deleting those already restored. The restored records are added to existing records in the Restored Transaction History file.
- 2** Replace History Work file. Delete previously restored transactions from the system and generate a new Restored Transaction History file. This file contains only the records restored as a part of this action.

AMI2R2—Restore Inventory Transaction History (Select)

Use this display to select the transaction history tape files that you want to restore.

This display appears when you select option 1 or 2 on the Transaction History Restore Options (Select) display (AMI2R1).

DATE	**/**/**	RESTORE	INVENTORY	TRANSACTION	HISTORY	SELECT	AMI2R2	**
---	PURGE	---	FROM	TO	ARCHIVED	----	ARCHIVE	----
DATE	TYPE	WHS	WHS	FILE NAME	DATE	TIME	RECORD	COUNT
A	**/**/**	*	***	***	*****	**/**/**	**.*.*	*.***.***
A	**/**/**	*	***	***	*****	**/**/**	**.*.*	*.***.***
A	**/**/**	*	***	***	*****	**/**/**	**.*.*	*.***.***
A	**/**/**	*	***	***	*****	**/**/**	**.*.*	*.***.***
A	**/**/**	*	***	***	*****	**/**/**	**.*.*	*.***.***
A	**/**/**	*	***	***	*****	**/**/**	**.*.*	*.***.***
A	**/**/**	*	***	***	*****	**/**/**	**.*.*	*.***.***
A	**/**/**	*	***	***	*****	**/**/**	**.*.*	*.***.***
A	**/**/**	*	***	***	*****	**/**/**	**.*.*	*.***.***
A	**/**/**	*	***	***	*****	**/**/**	**.*.*	*.***.***

TYPE IN AN 'R' BESIDE EACH ARCHIVED HISTORY FILE TO BE RESTORED. THEN PRESS ONE OF THE FUNCTION KEYS SHOWN.

USE ROLL UP/DOWN
F21 BEGIN RESTORE
F24 CANCEL THE JOB

What to do

To restore transaction history tape files, type **R** by each file you need and press **Enter**. Your entries are edited for errors. You must use **F21** to begin file restoration.

Function keys

USE ROLL UP/DOWN causes the next or previous page of files to appear.

F21 BEGIN RESTORE causes the restoration to begin on the files you selected. For each file you are requested to specify the name of the tape drive and then to load the tape. When the restoration is complete, the Transaction History menu (AMIM80) appears again, and you are requested to remove the tape. Refer to the Back Up/Recover/Reorganize chapter of the CAS User's Guide for further detail on restoring files.

Note: If you use **F21** without having specified the files to be restored in the Restore Indicator field, no files are restored and the Transaction History menu (AMIM80) appears.

F24 CANCEL THE JOB ignores any data you typed on this display and causes the Transaction History menu (AMIM80) to appear again.

Contents	Index	Exit
--------------------------	-----------------------	----------------------

Fields

RESTORE INDICATOR. This field, where the cursor is positioned, is located to the left of the **PURGE DATE** field. Type in **R** beside each transaction history file to be restored.

PURGE DATE. The date selected for purging transactions from the Transaction History file. The tape file contains all transactions that occurred on or before the date in this field.

PURGE TYPE. The type of date used as the purge date. The values are:

T Transaction date sequence
P Posting date sequence

FROM WHS. The warehouse at the lower end of the range of warehouses from which transactions were purged. If this field and the **TO WHS** field are blank, the transactions were purged from all warehouses.

TO WHS. The warehouse at the upper end of the range of warehouses from which transactions were purged. If this field and the **FROM WHS** field are blank, the transactions were purged from all warehouses.

ARCHIVED FILE NAME. The system-assigned name of the tape file in which the purged transactions were saved.

ARCHIVE DATE. The date when the transactions were purged.

ARCHIVE TIME. The time of day when the transactions were purged.

RECORD COUNT. The number of records that were purged.

Contents	Index	Exit
--------------------------	-----------------------	----------------------

Option 5. Delete Restored Transaction History (AMIM80)

Use this option when you need to delete all the transactions in the Restored Transaction History file. When deleted, the restored transactions no longer appear in inquiries and reports.

What information you need: None.

What reports are printed: None.

What forms you need: None.

No displays are associated with this option. To delete transactions, type **5** on the Transaction History menu (AMIM80). A message appears giving you an opportunity to cancel the request. When you press **Enter**, all the records in the file are deleted.

Contents	Index	Exit
--------------------------	-----------------------	----------------------

Option 6. Delete Transaction History Archive Records (AMIM80)

Use this option when you want to select Transaction History Archive Control records to be deleted.

What information you need: None.

What reports are printed: None.

What forms you need: None.

The basic steps to delete history archive records follow the display.

AMI2V1—Delete History Archive Records (Select)

Use this display to select Transaction History Archive Control records to be deleted. Once a Transaction History Archive Control record is deleted, you cannot use this Inventory Management application to restore the file to the Restored Transaction History file.

This display appears when you select option 6 on the Transaction History menu (AMIM80).

DATE	**/**/**	DELETE HISTORY ARCHIVE RECORDS				SELECT	AMI2V1	**	
---	PURGE	---	FROM	TO	ARCHIVED	---	ARCHIVE	----	RECORD
DATE	TYPE	WHS	WHS	FILE NAME	DATE	TIME		COUNT	
A	**/**/**	*	***	***	*****	**/**/**	**/**/**	*	***,***
A	**/**/**	*	***	***	*****	**/**/**	**/**/**	*	***,***
A	**/**/**	*	***	***	*****	**/**/**	**/**/**	*	***,***
A	**/**/**	*	***	***	*****	**/**/**	**/**/**	*	***,***
A	**/**/**	*	***	***	*****	**/**/**	**/**/**	*	***,***
A	**/**/**	*	***	***	*****	**/**/**	**/**/**	*	***,***
A	**/**/**	*	***	***	*****	**/**/**	**/**/**	*	***,***
A	**/**/**	*	***	***	*****	**/**/**	**/**/**	*	***,***
A	**/**/**	*	***	***	*****	**/**/**	**/**/**	*	***,***
A	**/**/**	*	***	***	*****	**/**/**	**/**/**	*	***,***
A	**/**/**	*	***	***	*****	**/**/**	**/**/**	*	***,***

TYPE IN A 'D' BESIDE EACH HISTORY ARCHIVE RECORD TO BE DELETED, THEN PRESS ONE OF THE FUNCTION KEYS SHOWN.

USE ROLL UP/DOWN
F21 DELETE RECORDS
F24 CANCEL THE JOB

What to do

To delete Transaction History Archive Control records, type **D** by each record you want and press **Enter**. Your entries are edited for errors. You must use **F21** to delete records from your Transaction History Archive Control file.

Function keys

USE ROLL UP/DOWN causes the next or previous page of records to appear.

F21 DELETE RECORDS causes the deletion to begin on the Transaction History Archive Control records you selected. If you use F21 without having specified the records to be deleted, no records are deleted and the Transaction History menu (AMIM80) appears.

F24 CANCEL THE JOB ignores any data you typed on this display and causes the Transaction History menu (AMIM80) to appear again.

Contents	Index	Exit
--------------------------	-----------------------	----------------------

Fields

DELETE INDICATOR. This field, where the cursor is positioned, is located to the left of the **PURGE DATE** field. Type in **D** beside each Transaction History Archive Control record to be deleted.

PURGE DATE. The date selected for purging transactions from the Transaction History file. The tape file contains all transactions that occurred on or before the date in this field.

PURGE TYPE. The type of date that was used as the purge date. The values are:

T Transaction date sequence
P Posting date sequence

FROM WHS. The warehouse at the lower end of the range of warehouses from which transactions were purged. If this field and the **TO WHS** field are blank, the transactions were purged from all warehouses.

TO WHS. The warehouse at the upper end of the range of warehouses from which transactions were purged. If this field and the **FROM WHS** field are blank, the transactions were purged from all warehouses.

ARCHIVED FILE NAME. The system-assigned name of the tape file in which the purged transactions were saved.

ARCHIVE DATE. The date when the transactions were saved.

ARCHIVE TIME. The time of day when the transactions were saved.

RECORD COUNT. The number of records that were saved.

Contents	Index	Exit
--------------------------	-----------------------	----------------------

Chapter 11. Work with Inventory Management

If you select option 9 from the Main Menu, the Work With menu (AMIM90) appears. This menu has 9 options that allow you to look at the on-hand, available, and safety stock quantities for the items in a multi-warehouse environment.

You must be authorized to the proper level of security in the Inquiry task to display warehouse information in the options on this menu.

The options on this menu take you to lists that allow you to work with different objects. For detailed information about how to use the work with lists, see Working with MAPICS/XA. For navigation information on work with lists and options, see Appendix F, "Using work with panels".

Option 1. Work with Items (AMIM90).....	11-3
Option 2. Work with Item Warehouses (AMIM90).....	11-6
Option 3. Work with Item Locations (AMIM90).....	11-9
Option 4. Work with Discrete Allocations By Item (AMIM90).....	11-11
Option 5. Work with Discrete Allocations By Item/Location (AMIM90).....	11-13
Option 6. Work with Warehouses (AMIM90).....	11-15
Option 7. Work with Warehouse Locations (AMIM90).....	11-17
Option 8. Work with Warehouse Items (AMIM90).....	11-19
Option 9. Work with Location Items (AMIM90).....	11-21

```

AMIM90                                Inventory Management                *****
                                Work With

Type option or command; press Enter.

1. Items
2. Item Warehouses
3. Item Locations
4. Discrete Allocations By Item
5. Discrete Allocations By Item/Location
6. Warehouses
7. Warehouse Locations
8. Warehouse Items
9. Location Items

-----

F3=Exit      F4=Prompt    F9=Retrieve   F10=Actions
F11=Job status  F12=Return  F22=Messages

```

Option 1. Items. Use this option to see a list of items. Use the different views of the list to identify which item you want to work with.

Option 2. Item Warehouses. Use this option to see a list of warehouses for a particular item. Use the different views of the list to identify which item warehouse you want to work with.

Option 3. Item Locations. Use this option to see a list of locations for a particular item. Use the different views of the list to identify which item location you want to work with.

Option 4. Discrete Allocations By Item. Use this option to see a list of orders with discrete allocations for this item in this warehouse. Use the different views of the list to identify which order you want to work with.

Option 5. Discrete Allocations By Item/Location. Use this option to see a list of orders with discrete allocations for this item. Use the different views of the list to identify which order you want to work with.

Option 6. Warehouses. Use this option to see a list of warehouses. Use the different views of the list to identify which warehouse you want to work with.

Option 7. Warehouse Locations. Use this option to see a list of locations in a particular warehouse. Use the different views of the list to identify which warehouse location you want to work with.

Option 8. Warehouse Items. Use this option to see a list of items in a particular warehouse. Use the different views of the list to identify which warehouse item you want to work with.

Option 9. Location Items. Use this option to see a list of items in a particular warehouse location. Use the different views of the list to identify which location item you want to work with.

[Contents](#)[Index](#)[Exit](#)

Option 1. Work with Items (AMIM90)

You can see a list of items in inventory. There is more information than can fit on a single panel. Unless you change the sequence, you see views in this order:

1. General information, including: stocking warehouse ID and description, type classification, as well as the planner assigned to the item in this warehouse.
2. Purchasing information, including: item number, drawing number, vendor, buyer, and commodity.

Use the views to identify which item you want to work with.

You must be authorized to the proper level of security in the Inquiry task to display warehouse information in this option.

What information you need: None. From this list of items, you can identify which one you want.

What reports are printed: None.

What forms you need: None.

Refer to Appendix F, "Using work with panels" for additional information on navigation and options used with those panels.

The panels used with this option follow.

Work with Items panels

Use these panels when you want to review item information.

Work with Items—AMVWIM01

This panel shows you a list of all items. Only options 5 and 10 are described in this chapter. Use online Help for information on other options that are available on the panel.

- Enter **5** in the **Option** field next to the appropriate item number to see more information about a item. See “Display Item Detail—AMVDIM01”.
- Enter **10** in the **Option** field to view a list of warehouses that stock this item. See “Work with Item Warehouses – AMIWIW01”.

Change Defaults—AMVWIM02

To see general information first on the Work with Items panel, enter **1** in the **First view** field. To see purchasing information first, enter **2**.

Subset Items List—AMISIM00

To narrow the list of items shown on the Work with Items panel, enter the values that you want to use to select item records. You can select items by the following fields: item number, item type, item class, drawing number, vendor, buyer, and commodity class. The appropriate selection values appear to the right of each field.

Specify Item to Display—AMVDIM00

To select the item detail you want to see, enter the item number on this panel. You only see this panel if you call this function from a command line on another work with list.

Display Item Detail—AMVDIM01

These panels show you detailed information for the item you selected. Information for the selected item appears on this panel but on different pages and in the following categories:

- Item characteristics
- Engineering information
- Location control information
- Sales information
- Costing parameters
- Costing summary
- Standard cost information
- Current cost information
- Purchasing information
- Vendor performance constraints
- Shipping information
- Costing maintenance dates

To find specific information, page forward to the category of information you want.

Contents	Index	Exit
--------------------------	-----------------------	----------------------

Change Defaults—AMVDIM02

To change the order in which you see pages of information on the Display Item Detail panel, enter the sequence of pages you want to see.

[Contents](#)[Index](#)[Exit](#)

Option 2. Work with Item Warehouses (AMIM90)

You can see a list of warehouses that stock this item. There is more information than can fit on a single panel. Unless you change the sequence, you see views in this order:

1. General information, including: stocking warehouse ID and description, type classification, as well as the planner assigned to the item in this warehouse.
2. Stock status information, including: warehouse ID as well as on-hand, on-order, allocated, and available quantities.

Use the views to identify which item warehouse you want to work with.

You must be authorized to the proper level of security in the Inquiry task to display warehouse information in this option.

What information you need: The item number whose warehouses you want to see.

What reports are printed: None.

What forms you need: None.

Refer to Appendix F, "Using work with panels" for additional information on navigation and options used with those panels.

The panels used with this option follow.

Work with Item Warehouses panels

Use these panels when you want to review warehouses that stock a particular item.

Specify Item Warehouses to Work With–AMIWIW00

To select the item for which you want to view information about warehouses that stock it, enter the item number on this panel.

Work with Item Warehouses – AMIWIW01

This panel shows you a list of all warehouses that stock the item you entered.

- Enter **5** in the **Option** field next to the appropriate warehouse ID to see more information about a warehouse that stocks this particular item. See “Display Item Warehouse Detail – AMIDIW01”.
- Enter **10** in the **Option** field to view a list of locations in the warehouse that stock this item. See “Work with Item Locations – AMIWILO1”.
- Enter **30** in the **Option** field to view a list of orders with discrete allocations for this item in this warehouse. See “Work with Item Locations – AMIWILO1”.

Change Defaults–AMIWIW02

To see warehouse information first on the Work with Item Warehouses panel, enter **1** in the **First view** field. To see stock status information first, enter **2**.

Subset Item Warehouses List–AMISIW00

To narrow the list of item warehouses shown on the Work with Item Warehouses panel, enter the values that you want to use to select item warehouse records. You can select item warehouses by the following fields: warehouse, description, warehouse type, and planner. The appropriate selection values appear to the right of each field.

Specify Item Warehouse to Display–AMIDIW00

To select the item warehouse detail you want to see, enter the item number and warehouse ID on this panel. You only see this panel if you call this function from a command line on another work with list.

Display Item Warehouse Detail – AMIDIW01

These panels show you detailed information about a warehouse that stocks the item you selected. Information for the selected item appears on this panel but on different pages and in the following categories:

- Item characteristics
- Stock status summary
- Order/schedule sizing factors
- Requirements management factors
- Lead time information
- Purchasing information
- Master scheduling information
- Cycle count information

Contents	Index	Exit
-----------------	--------------	-------------

- Repetitive information
- Stock movement analysis
- Stock financial analysis
- Unit cost analysis

To find specific information, page forward to the category of information you want.

Change Defaults–AMIDIW02

To change the order in which you see pages of information on the Display Item Warehouse Detail panel, enter the sequence of pages you want to see.

[Contents](#)[Index](#)[Exit](#)

Option 3. Work with Item Locations (AMIM90)

You can see a list of locations in the warehouse that stocks this item. There is more information than can fit on a single panel. Unless you change the sequence, you see views in this order:

1. Item information, including: location, type, batch/lot, FIFO date, and GRN number.
2. Stock status information, including: warehouse ID as well as on-hand, on-order, allocated, and available quantities.

Use the views to identify which item location you want to work with.

You must be authorized to the proper level of security in the Inquiry task to display warehouse information in this option.

What information you need: The item number and warehouse ID whose locations you want to see.

What reports are printed: None.

What forms you need: None.

Refer to Appendix F, "Using work with panels" for additional information on navigation and options used with those panels.

The panels used with this option follow.

Work with Item Locations panels

Use these panels when you want to review locations that stock a particular item in a particular warehouse.

Specify Item Locations to Work With—AMIWIL00

To select the item warehouse for which you want to view information about locations, enter the item number and warehouse ID on this panel.

Work with Item Locations – AMIWIL01

This panel shows you a list of all locations for the item warehouse you entered.

- Enter **5** in the **Option** field next to the appropriate item number to see more information about an order. See “Display Item Location Detail – AMIDIL01”.
- Enter **10** in the **Option** field to view a list of orders with discrete allocations for this item. See “Work with Discrete Allocations —AMIWDA01”.

Change Defaults—AMIWIL02

To see item information first on the Work with Item Locations panel, enter **1** in the **First view** field. To see stock status information first, enter **2**.

Subset Item Locations List—AMISIL00

To narrow the list of item locations shown on the Work with Item Locations panel, enter the values that you want to use to select item location records. You can select item locations by the following fields: location, batch/lot, FIFO date, and GRN number. The appropriate selection values appear to the right of each field.

Specify Item Location to Display—AMIDIL00

To select the warehouse location for the item you want to see, enter the item number, warehouse ID, warehouse location, batch/lot number, and FIFO date on this panel. You only see this panel if you call this function from a command line on another work with list.

Display Item Location Detail – AMIDIL01

This panel shows you detailed information about a location in the warehouse that stocks the item you selected. Information for the selected item appears on this panel under the following category: stock status information.

Change Defaults—AMIDIL02

The Display Item Location Detail panel has only one page.

[Contents](#)[Index](#)[Exit](#)

Option 4. Work with Discrete Allocations By Item (AMIM90)

You can see a list of orders with discrete allocations for this item in this warehouse. Use the following information to identify which allocation you want to work with: order, required, allocated, location, batch/lot, and FIFO date.

You must be authorized to the proper level of security in the Inquiry task to display warehouse information in this option.

What information you need: The item number and warehouse ID whose discrete allocations you want to see.

What reports are printed: None.

What forms you need: None.

Refer to Appendix F, "Using work with panels" for additional information on navigation and options used with those panels.

The panels used with this option follow.

[Contents](#)[Index](#)[Exit](#)

Work with Discrete Allocations By Item panels

Use these panels when you want to review orders with discrete allocations for a particular item.

Specify Item to Work With—AMIWIA00

To select the orders with discrete allocations for an item for which you want to view information, enter the item number and warehouse ID on this panel.

Work with Discrete Allocations – AMIWIA01

This panel shows you a list of all orders with discrete allocations for the item you entered.

Enter **5** in the **Option** field next to the appropriate order number to see more information about the discrete allocation for this item. See “Display Discrete Allocation Detail—AMIDDA01”.

Change Defaults—AMIWIA02

The Work with Item Allocations panel has only one view.

Subset Item Allocations List—AMISIA00

To narrow the list of item allocations shown on the Work with Item Allocations panel, enter the values that you want to use to select item allocation records. You can select item allocations by the following fields: order, location, batch/lot, and FIFO date. The appropriate selection values appear to the right of each field.

Contents	Index	Exit
--------------------------	-----------------------	----------------------

Option 5. Work with Discrete Allocations By Item/Location (AMIM90)

You can see a list of orders with discrete allocations for this item in a particular location in this warehouse. Use the following information to identify which discrete allocation you want to work with: order, quantity required, and quantity allocated.

You must be authorized to the proper level of security in the Inquiry task to display warehouse information in this option.

What information you need: The item number, warehouse ID, warehouse location, batch/lot number, and FIFO date for the orders with discrete allocations you want to see.

What reports are printed: None.

What forms you need: None.

Refer to Appendix F, "Using work with panels" for additional information on navigation and options used with those panels.

The panels used with this option follow.

Work with Discrete Allocations By Item/Location panels

Use these panels when you want to review orders with discrete allocations for a particular item.

Specify Item/Location to Work With—AMIWDA00

To select the items for which you want to view information, enter the item number, warehouse ID, warehouse location, batch/lot number, and FIFO date on this panel.

Work with Discrete Allocations —AMIWDA01

This panel shows you a list of all orders with discrete allocations for the item you entered.

Enter **5** in the **Option** field next to the appropriate order number to see more information about the discrete allocation for this item. See “Display Discrete Allocation Detail—AMIDDA01”.

Change Defaults—AMIWDA02

The Work with Discrete Allocations panel has only one view.

Subset Discrete Allocations List—AMISDA00

To narrow the list of discrete allocations shown on the Work with Discrete Allocations panel, enter the values that you want to use to select discrete allocation records. You can select discrete allocations by the following field: order. The appropriate selection values appear to the right of each field.

Specify Discrete Allocation to Display—AMIDDA00

To select the discrete allocation detail you want to see, enter item number, warehouse ID, warehouse location, batch/lot number, FIFO date, order number, item sequence number, and release number on this panel. You only see this panel if you call this function from a command line on another work with list.

Display Discrete Allocation Detail—AMIDDA01

This panel shows you detailed information for the discrete allocation you selected. Information for the selected discrete allocation appears on this panel but on different pages and in the following categories:

- Manufacturing order allocation detail
- Schedule allocation detail

To find specific information, page forward to the category of information you want.

Change Defaults—AMIDDA02

To change the order in which you see pages of information on the Display Discrete Allocation Detail panel, enter the sequence of pages you want to see.

Contents	Index	Exit
--------------------------	-----------------------	----------------------

Option 6. Work with Warehouses (AMIM90)

I You can see a list of warehouses. If EPDM is activated, the engineering site associated with the warehouse also appears, to help you determine the source of engineering records to be used in manufacturing order entry and release. There is more information than can fit on a single panel. Unless you change the sequence, you see views in this order:

1. Warehouse characteristics, including: warehouse ID, site, warehouse description, type, and primary planning warehouse.
2. Warehouse classifications, including: warehouse ID as well as selling and planning warehouse codes.

Use the views to identify which warehouse you want to work with.

You must be authorized to the proper level of security in the Inquiry task to display warehouse information in this option.

What information you need: Identify a warehouse from the list.

What reports are printed: None.

What forms you need: None.

Refer to Appendix F, "Using work with panels" for additional information on navigation and options used with those panels.

The panels used with this option follow.

Work with Warehouses panels

Use these panels when you want to review warehouse information.

Work with Warehouses—AMIWWM01

This panel shows you a list of warehouses.

- Enter **5** in the **Option** field next to the appropriate warehouse ID to see more information about a warehouse. See “Display Warehouse Detail—AMIDWM01”.
- Enter **10** in the **Option** field to view a list of locations in this warehouse. See “Work with Warehouse Locations—AMIWWL01”.
- Enter **20** in the **Option** field to view a list of items stocked in this warehouse. See “Work with Warehouse Items—AMIWWI01”.

Change Defaults—AMIWWM02

To see warehouse characteristics first on the Work with Warehouses panel, enter **1** in the **First view** field. To see warehouse classifications first, enter **2**.

Subset Warehouses List—AMISWM00

To narrow the list of warehouses shown on the Work with Warehouses panel, enter the values that you want to use to select item records. You can select warehouses by the following fields: warehouse, description, warehouse type, primary planning warehouse, selling warehouse code, and planning warehouse code. The appropriate selection values appear to the right of each field.

Specify Warehouse to Display—AMIDWM00

To select the warehouse detail you want to see, enter the warehouse ID on this panel. You only see this panel if you call this function from a command line on another work with list.

Display Warehouse Detail—AMIDWM01

This panel shows you detailed information for the warehouse you selected. Warehouse information appears on this panel under the warehouse characteristics category.

Change Defaults—AMIDWM02

The Display Warehouse Detail panel has only one page.

[Contents](#)[Index](#)[Exit](#)

Option 7. Work with Warehouse Locations (AMIM90)

You can see a list of locations for this warehouse. Use the following information to identify which location you want to work with: location, type, multiple items, and multiple lots.

You must be authorized to the proper level of security in the Inquiry task to display warehouse information in this option.

What information you need: The warehouse ID whose locations you want to see.

What reports are printed: None.

What forms you need: None.

Refer to Appendix F, "Using work with panels" for additional information on navigation and options used with those panels.

The panels used with this option follow.

Work with Warehouse Locations panels

Use these panels when you want to review warehouse location information.

Specify Warehouse Locations to Work With—AMIWWL00

To select the warehouse location for which you want to view information, enter the warehouse ID on this panel.

Work with Warehouse Locations—AMIWWL01

This panel shows you a list of all warehouse locations.

- Enter **5** in the **Option** field next to the appropriate warehouse location to see more information about a location in this warehouse. See “Display Warehouse Location Detail—AMIDWL01”.
- Enter **10** in the **Option** field to see a list of items stocked in this warehouse location. See “Work with Location Items— AMIWLIO1”.

Change Defaults—AMIWWL02

The Work with Warehouse Locations panel has only one view.

Subset Warehouse Locations List—AMISWL00

To narrow the list of warehouse locations shown on the Work with Warehouse Locations panel, enter the values that you want to use to select warehouse location records. You can select warehouse locations by the following fields: location, multiple items, and multiple lots. The appropriate selection values appear to the right of each field.

Specify Warehouse Location to Display—AMIDWL00

To select the warehouse location detail you want to see, enter the warehouse ID and warehouse location on this panel. You only see this panel if you call this function from a command line on another work with list.

Display Warehouse Location Detail—AMIDWL01

This panel shows you detailed information for the warehouse location you selected. Information for the selected warehouse location appears on this panel under the following category: location characteristics.

Change Defaults—AMIDWL02

The Display Warehouse Location Detail panel has only one page.

[Contents](#)[Index](#)[Exit](#)

Option 8. Work with Warehouse Items (AMIM90)

You can see a list of items stocked in this warehouse. There is more information than can fit on a single panel. Unless you change the sequence, you see views in this order:

1. Item characteristics, including: item number, item description, planner, and class.
2. Stock status information, including: warehouse ID as well as on-hand, on-order, allocated, and available quantities.
3. Cycle count information, including: item number, cycle count, next count, and last count.

Use the views to identify which warehouse item you want to work with.

You must be authorized to the proper level of security in the Inquiry task to display warehouse information in this option.

What information you need: The warehouse ID whose items you want to see.

What reports are printed: None.

What forms you need: None.

Refer to Appendix F, "Using work with panels" for additional information on navigation and options used with those panels.

The panels used with this option follow.

Work with Warehouse Items panels

Use these panels when you want to review items stocked in a particular warehouse.

Specify Warehouse Items to Work With—AMIWWI00

To select the warehouse items for which you want to view information, enter the warehouse ID on this panel.

Work with Warehouse Items—AMIWWI01

This panel shows you a list of items stocked in the warehouse you specified.

- Enter **5** in the **Option** field next to the appropriate warehouse item to see more information about an item stocked in that warehouse. See “Display Item Warehouse Detail – AMIDIW01”.
- Enter **10** in the **Option** field to see a list of locations in the warehouse. See “Work with Item Locations – AMIWIL01”.
- Enter **30** in the **Option** field to see a list of orders with allocations for this item in this warehouse. See “Work with Discrete Allocations – AMIWIA01”.

Change Defaults—AMIWWI02

To see item characteristics first on the Work with Warehouse Items panel, enter **1** in the **First view** field. To see stock status information first, enter **2**. To see cycle count information first, enter **3**.

Subset Warehouse Items List—AMISWI00

To narrow the list of warehouse items shown on the Work with Warehouse Items panel, enter the values that you want to use to select warehouse items records. You can select warehouse items by the following fields: item number, description, planner, item class, cycle count code, next count, and last count. The appropriate selection values appear to the right of each field.

[Contents](#)[Index](#)[Exit](#)

Option 9. Work with Location Items (AMIM90)

You can see a list of items stocked in this particular warehouse location. There is more information than can fit on a single panel. Unless you change the sequence, you see views in this order:

1. Item description, including: item number and description.
2. Item information, including: item number, batch/lot, FIFO date, and GRN number.
3. Stock status information, including: warehouse ID as well as on-hand, on-order, allocated, and available quantities.

Use the views to identify which location item you want to work with.

You must be authorized to the proper level of security in the Inquiry task to display warehouse information in this option.

What information you need: The warehouse ID and warehouse locations whose items you want to see.

What reports are printed: None.

What forms you need: None.

Refer to Appendix F, "Using work with panels" for additional information on navigation and options used with those panels.

The panels used with this option are listed below.

Work with Location Items panels

Use these panels when you want to review items stocked in a particular warehouse location.

Specify Location Items to Work With—AMIWLI00

To select the warehouse location for which you want to view items, enter the warehouse ID and warehouse location on this panel.

Work with Location Items— AMIWLI01

This panel shows you a list of operations for a particular item.

- Enter **5** in the **Option** field next to the appropriate item number to see more information about an item that is stocked in the particular warehouse location. See “Display Item Location Detail – AMIDIL01”.
- Enter **10** in the **Option** field to see a list of orders with discrete allocations for this item. See “Work with Discrete Allocations —AMIWDA01”.

Change Defaults—AMIWLI02

To see item description information first on the Work with Location Items panel, enter **1** in the **First view** field. To see item information first, enter **2**. To see stock status information first, enter **3**.

Subset Location Items List—AMISLI00

To narrow the list of location items shown on the Work with Location Items panel, enter the values that you want to use to select item description records. You can select location items by the following fields: item number, description, batch/lot, FIFO date, and GRN number. The appropriate selection values appear to the right of each field.

Chapter 12. Manufacturing Order History

If you select option 10 on the Main Menu, the Manufacturing Order History menu (AMIMA0) appears. This menu has 3 options that allow you to look at, report, and archive manufacturing order history records.

Option 1. Inquiry (AMIMA0)..... 12-2
Option 2. Reports (AMIMA0)..... 12-47
Option 3. Archive Processing (AMIMA0)..... 12-53

```

AMIMA0                               Inventory Management          *****
                                Manufacturing Order History

Type option or command; press Enter.

    1. Inquiry
    2. Reports
    3. Archive Processing

==> _____

F3=Exit      F4=Prompt   F9=Retrieve   F10=Actions
F11=Job status  F12=Return  F22=Messages

```

Option 1. Inquiry. Use this option to review manufacturing orders or schedules in the Manufacturing Order History file.

Option 2. Reports. Use this option to select manufacturing order or schedule history reports and the limits within which you want to print them. The reports include orders and schedules in the Manufacturing Order History file.

Option 3. Archive Processing. Use this option to archive a group of orders, delete the detailed orders of an archive from the system, restore an archived group of orders to the system, inquire about or print the summarized contents of an archived group of orders, erase the detailed orders and archive contents of an archive from the system, or recover the detailed orders plus the archive contents to the system.

Contents	Index	Exit
--------------------------	-----------------------	----------------------

Option 1. Inquiry (AMIMA0)

Use this option to review manufacturing orders or schedules.

What information you need: None.

What reports are printed: None.

What forms you need: None.

The basic steps to review orders or schedules follow each display.

[Contents](#)[Index](#)[Exit](#)

AMIH11—Order History Select Orders (Select)

Use this display to select the manufacturing orders or schedules to review.

This display appears if you select option 1 on the Manufacturing Order History menu (AMIMAO).

```

Date **/**/**                Order History          Select          AMIH11  **
                              Select Orders
                              Position to
                              Order aaaaaA7

Type options; then press Enter.
1=Prod Summary 2=Acct Summary 3=Select Matl 4=Select Oper 5=Select Misc 6=Demand

                               (Subsetting list active) View 1 of 3 MORE +->
Option  Order      Item      WH      Due      Closeout  Reference  Cust Job
n          *****
n          *****
n          *****
n          *****
n          *****
n          *****
n          *****
n          *****
n          *****
n          *****
F11 Right      F13 Repeat      F17 Subset      F18 Refresh
F24 End

```

What to do

- To see the production summary, select option 1. The Order History Production Summary (Inquiry) display (AMIH13) appears.
- To see the accounting summary, select option 2. The Order History Accounting Summary (Inquiry) display (AMIH14) appears.
- To see the components, select option 3. The Order History Select Materials (Inquiry) display (AMIH15) appears.
- To see the operations, select option 4. The Order History Select Operations (Inquiry) display (AMIH19) appears.
- To see miscellaneous charges, select option 5. The Order History Select Miscellaneous Charges (Inquiry) display (AMIH1E) appears.
- To see the sources of demand, select option 6. The Source of Demand display (AMM771) appears.
- To search for a particular value, type a full or partial value in the **Position-to** field. This display appears again with that value (or the next higher value) you selected at the top of the list. If the system does not find an equal or higher value, a message appears. The Source of Demand display (AMM771) appears.

Function keys

F10 Left causes the display to window to the left to show additional fields for the orders.

Contents	Index	Exit
-----------------	--------------	-------------

F11 Right causes the display to window to the right to show additional fields for the orders.

When you use **F10** and **F11**, the following fields can appear for each order record:

Order Number
Item Number
Warehouse
Due Date
Closeout Date
Reference
Customer Job
Item Description
Planner
Production Line
S-Number
Item Class
Item Accounting Class
Order Accounting Class
Unit Cost.

F13 Repeat repeats the selected option to the end of the list for the current item on the current display. Enter an option beside the first record you want to select. Position the cursor on that option field again before you press **F13**.

F17 Subset causes the Order History Subset Selection (Select) display (AMIH12) to appear. You can enter ranges and sort options to limit the list of orders you want to review.

F18 Refresh causes this display to appear again with anything you typed on it cleared.

F24 End ignores any data you typed on this display. The Manufacturing Order History menu (AMIMAO) appears again.

Fields

Position to Order. Type in the number for the manufacturing order (M) or schedule (S) for which you want to look at order history.

Option. Type in the option number for the manufacturing order (M) or schedule (S) history information you want to look at. The options are as follows:

- 1 Production summary: you can see last operations and milestones, last production facility, quantities, production status, and schedule information for a manufacturing order or schedule.
- 2 Accounting summary: you can see class codes, accounting classes, hour and cost variances, and cost information for a manufacturing order or schedule.
- 3 Select materials: you can see general, production, or accounting information about the components for a manufacturing order or schedule, including the following:
 - Component items
 - Units of measure
 - Floor stock codes

Contents	Index	Exit
--------------------------	-----------------------	----------------------

- Quantities
- Dates
- Costs.

- 4 Select operations: you can see descriptions, facilities, time basis codes, process sheet numbers, tools, and status codes for the operations of an order.
- 5 Select miscellaneous charges: you can see descriptions, status, standards, and actual costs for the miscellaneous charges of an order.
- 6 Demand: you can see the sources of demand for this order on display AMM771.

Order (Order Number). A control number in the order history data base that identifies an order. A first character of S indicates schedules. A first character of M indicates manufacturing orders.

Item (Item Number). A control number that identifies the finished item.

WH (Warehouse). The warehouse in which you stored the finished item.

Due Date. The date the order was due.

Closeout Date. The date you purged the order or schedule from the open order data base.

Reference. An identifying number used to associate this order with one or more orders.

Cust Job (Customer Job Number). The customer job or order number that references this order.

If COM is installed and interfacing with IM, a customer order number includes the company number and order type of the associated customer order.

Description. The brief description of the finished item.

Planner. A code used to define responsibility for planning the replenishment strategy for an item.

Production Line. For an order-initiated in Repetitive Production Management, the production line on which you ran the schedule.

S-Number. The select number used to define the features and options of this end item.

Item Class. A user-defined code that identifies the class or group to which this item belongs. For example, ST might indicate that you classified this item with that group of items made of steel. This field appears in both the Item Master and Item Balance files.

Item Actg Class (Item accounting class). A user-defined control number used to classify items for accounting purposes.

Contents	Index	Exit
--------------------------	-----------------------	----------------------

Ord Actg Class (Order accounting class). A user-defined control number used to classify orders for accounting purposes.

Unit Cost. The unit cost of the finished item used by inventory accounting at the time you released the order or schedule.

I

AMM771—Source of Demand

Use this display to review all the sources of demand for the order item being processed.

This display appears when you select one of the actions shown below. Details of the order item being reviewed appear in the header area of the display.

If you chose:	on display:
Action code D (Demand)	MRP displays AMM622, AMM625, AMM62A, AMM62C
Option 6 = Demand	IM display AMIH11
F14 Source of Demand	PC&C displays AMC021, AMC030
F08 Source of Demand	PUR displays AM61A2, AM61A5, AM61E2
F10 Source of Demand	REP displays AMQ1H6, AMQ445, AMQ583

The display also appears when you select option 9 on menu AMMM40. The header area fields allow you to type in the information required, so you can select an order for which source of demand information is to be shown. Source of demand can be selected by order, item, or warehouse, or by any combination of these fields.

```

AMM771                                Source of Demand
Order   Item           Sequence  Warehouse  Release
aaaaaA7 aaaaaaaaaaaA15  nnnnnnn   aA3        nnnn

----- Source of Demand -----
Order  Line Release  Demand item  Due date  Quantity required
***** ***** *****  ***** **/**/**  * , * * * , * * * , * * * _
***** ***** *****  ***** **/**/**  * , * * * , * * * , * * * _
***** ***** *****  ***** **/**/**  * , * * * , * * * , * * * _
***** ***** *****  ***** **/**/**  * , * * * , * * * , * * * _
***** ***** *****  ***** **/**/**  * , * * * , * * * , * * * _
***** ***** *****  ***** **/**/**  * , * * * , * * * , * * * _
***** ***** *****  ***** **/**/**  * , * * * , * * * , * * * _
***** ***** *****  ***** **/**/**  * , * * * , * * * , * * * _
***** ***** *****  ***** **/**/**  * , * * * , * * * , * * * _
***** ***** *****  ***** **/**/**  * , * * * , * * * , * * * _
***** ***** *****  ***** **/**/**  * , * * * , * * * , * * * _
***** ***** *****  ***** **/**/**  * , * * * , * * * , * * * _
***** ***** *****  ***** **/**/**  * , * * * , * * * , * * * _
***** ***** *****  ***** **/**/**  * , * * * , * * * , * * * _

F12=Return      F24=End of job

```

What to do

To select the order for which you want to see source of demand information, if you arrived at this display from option 9 on menu AMMM40, type the information requested and press **Enter**. The source of demand information appears on the display. If you arrived here from IM, PC&C, PUR, or REP, the fields at the top are output only and show the order for which you requested source of demand information.

Function keys

F12=Return causes the display from which you requested demand information to appear again.

F24=End of job ends processing and the menu where you started this task appears again.

Fields

Order. The order number for the associated data.

Item. The item number for the associated data.

Sequence. The sequence number for the associated data.

Warehouse. The planning warehouse for the associated data.

Release. Sequential number assigned by the system to identify individual releases on a customer order line item.

Source of demand. This field displays the customer order or other top level requirement that generated this manufacturing order or purchase order item. For PC&C, the value +++ indicated that there are more sources of demand for this order than were tracked, due to selected planning run execution options. If the requirement is a customer order, the following fields appear:

Order: The customer order number.

Line: Line item sequence associated with shipment release detail information.

Release: Date customer manufacturing is due.

Possible values follow. MSSR refers to the Master Schedule Source Planning code.

BLENDED The larger of forecast and customer requirements (MSSR=C)

CUSONLY Combined customer orders (MSSR=C)

Cxxxxxx Customer order number ((MSSR=D or E). The customer order appears in the format of 01-CO-nnnnnnnn.

FORCAST Forecast quantity (MSSR=F)

GENDMND Generated component quantity based on parent planned orders (MSSR not D or E)

MANUAL Manually entered demand. Source of demand is optional at time of entry (MSSR=M)

M FCST Manual forecast

M HELD Manual held requirement

M REQMT Manual requirement

MSAFETY Safety quantity (MSSR=D or E)

Mxxxxxx Manufacturing order number

NEG QOH Negative quantity on hand

Contents	Index	Exit
--------------------------	-----------------------	----------------------

P FCST Propagated forecast

P REQMT Propagated requirement

PRODPLN Production planned quantity (MSSR=P)

Sxxxxxx Repetitive Manufacturing order, allocated quantity

XS FCST Forecast quantity in excess of customer requirements (MSSR=D)

Demand item. The top level source of demand for this component.

Due date. The due date of the top level source of demand.

Quantity required. The quantity of this item that is required.

[Contents](#)[Index](#)[Exit](#)

AMIH12—Order History Subset Selection (Select)

Use this display to type in ranges for the manufacturing orders or schedules you want to review. You may select one or more fields to complete.

For all fields that require a range, the following apply:

- Leave all range fields blank to see all records.
- Complete only the **From** range field to see all records from the specified record to the end. You do not have to enter a series of 9s in the **To** range fields to indicate processing to the end. If you enter 9s in these fields, the system will automatically clear the fields to default the processing to the end.
- Complete only the **To** range field to see all records from the beginning of the file to the specified field.
- Complete the **From** and the **To** range field to see all records from the record you type in for the **From** range to the record you type in for the **To** range.

This display appears if you use **F17** on the Order History Select Orders (Select) display (AMIH11).

Date **/**/**	Order History Subset Selection	Inquiry	AMIH12 **
Order Number	From aaaaaA7	To aaaaaA7	
Item Number	aaaaaaaaaaaaA15	aaaaaaaaaaaaA15	
Warehouse	aA3	aA3	
Due Date	nnnnn	nnnnn	
Closeout Date	nnnnn	nnnnn	
Reference	aaaaaaaA10	aaaaaaaA10	
Customer Job	aaaaaaaaA12	aaaaaaaaA12	
Item Description	aaaaaaaaaaaaaaaaaaaaaaaaA30	aaaaaaaaaaaaaaaaaaaaaaaaA30	
Planner	nnnn	nnnn	
Production Line	aaaA5	aaaA5	
Item Class	aaA4	aaA4	
Item Actg C1	aA3	aA3	
Ord Actg C1	aA3	aA3	
F18 Refresh	F19 Reselect	F24 End	

What to do

To select ranges for the orders or schedules you want to review, type in the requested information and press **Enter**. The display to appear next depends on the option you entered on the Order History Select Orders (Select) display (AMIH11).

Function keys

F18 Refresh causes this display to appear again with anything you typed on it cleared.

Contents	Index	Exit
--------------------------	-----------------------	----------------------

F19 Return causes the Order History Select Orders (Select) display (AMIH11), View 1, to appear again. The system ignores any selections you made.

F24 End ignores any data you typed on this display. The Manufacturing Order History menu (AMIMAO) appears again.

Fields

Order Number. Type in a range of control numbers used in the order history data base to identify orders. Type S for schedules or M for manufacturing orders.

Item Number. Type in a range to identify finished items.

Warehouse. Type in a range of warehouses in which you stored the finished items.

Due Date. Type in a range of dates the orders were due.

Closeout Date. Type in a range of dates within which the orders were purged.

Reference. Type in a range of numbers that associate one or more orders.

Customer Job (Customer Job Number). Type in a range of customer job or order numbers.

If COM is installed and interfacing with IM, a customer order number includes the company number and order type of the associated customer order.

Item Description. Type in a range of descriptions of the finished item.

Planner. Type in a range of codes that identify who is responsible to plan the replenishment strategy for finished items.

Production Line. Type in a range of production lines to review schedules from Repetitive Production Management.

Item Class. Type in range of user-defined codes that identifies the class or group to which this item belongs. For example, ST might indicate that you classified this item with that group of items made of steel.

Item Accounting Class. Type in a range of user-defined control numbers that classify items for accounting purposes.

Order Accounting Class. Type in a range of user-defined control numbers that classify orders for accounting purposes.

Contents	Index	Exit
--------------------------	-----------------------	----------------------

AMIH13—Order History Production Summary (Inquiry)

Use this display to see production summary information for an order. When you use this display, you can see the following information for an order:

- Milestones
- Production facility
- Quantities
- Product status
- Schedule.

This display appears if you:

- Select option 1 on the Order History Select Orders (Select) display (AMIH11)
- Use **F08** on one of the following displays:
 - Order History Accounting Summary (Inquiry) display (AMIH14)
 - Order History Select Materials (Inquiry) display (AMIH15)
 - Order History Select Operations (Inquiry) display (AMIH19)
 - Order History Select Miscellaneous Charges (Inquiry) display (AMIH13).

```

Date **/**/**                Order History      Inquiry      AMIH13  **
                             Production Summary

Order Number *****
Item Number ***** Warehouse ***
Description *****
Reference *****
Department ****
Cust Job *****
Planner *****

                               -----Last-----
                               Operation ****
                               Milestone *
                               Quantity *****.***
                               Facility *****

Status Code **
Hours Remain *****.**
Critical Ratio ***.**
Days Off Sched ***
Overlapped Ops *
Production Line *****
S-Number *****

                               -----Dates-----
                               Start **/**/**
                               Actual Start **/**/**
                               Last Trans **/**/**
                               Due **/**/**
                               Closeout **/**/**

                               -----Quantity-----
                               Order *****.***
                               In Qty *****.***
                               In Split *****.***
                               Scrapped *****.***
                               Deviation *****.***
                               Open *****.***
                               Completion *****.***

F02 Next Order      F04 Select Matl      F05 Select Oper      F06 Select Misc
F09 Acct Summary    F19 Return          F24 End
    
```

What to do

To continue, use a function key.

Function keys

F02 Next Order causes the requested display to appear for the next selected order. If you are already viewing the last selected summary order, F02 causes the Order History Select Orders (Select) display (AMIH11) to appear.

F04 Select Matl (Select Material) causes the Order History Select Materials (Inquiry) display (AMIH15) to appear for the current order.

Contents	Index	Exit
--------------------------	-----------------------	----------------------

F05 Select Oper (Select Operations) causes the Order History Select Operations (Inquiry) display (AMIH19) to appear for the current order.

F06 Select Misc (Select Miscellaneous Charges) causes the Order History Select Miscellaneous Charges (Inquiry) display (AMIH1E) to appear for the current order.

F09 Acct Summary (Accounting Summary) causes the Order History Accounting Summary (Inquiry) display (AMIH14) to appear for the current order.

F19 Return causes the Order History Select Orders (Select) display (AMIH11) to appear again.

F24 End causes the Manufacturing Order History menu (AMIMA0) to appear again.

Fields

Order Number. A control number in the order history data base that identifies an order. A first character of S indicates schedules. A first character of M indicates manufacturing orders.

Item Number. A control number that identifies finished items.

Warehouse. A warehouse in which you stored the finished items.

Dates.

Start. The planned start date.

Actual Start. The date you actually started the order.

Last Trans (Last transaction). The date of the last transaction or file maintenance.

Due. The date the order was planned to be complete, and the items received into stock.

Closeout. The date you purged the order from the open order data base.

Description. The brief description of the finished item.

Reference. A number that associates the order with one or more orders.

Department. The number of the department for the item.

Cust Job (Customer Job Number). The customer job or order number that references this order.

If COM is installed and interfacing with IM, a customer order number includes the company number and order type of the associated customer order.

Planner. A code that identifies who is responsible to plan the replenishment strategy for a finished item.

Contents	Index	Exit
--------------------------	-----------------------	----------------------

Last.

Operation. The last operation reported for this order.

Milestone. The code that identifies the manufacturing environment for this milestone group.

J Job shop environment
F Flow shop environment

Quantity. The amount produced for this operation.

Facility. The identification code of the production area (facility) where you performed this operation. A production facility can be a single machine, a group of machines, or a cost center.

Quantity.

Order. The quantity of the item on this manufacturing order or schedule.

In Qty (in quantity). The order quantity factored by the standard yield loss. This is the quantity you must start in order to produce the order quantity.

In Split. The total quantity in split orders.

Scrapped. The quantity of the item that was rejected as scrap.

Deviation. The quantity by which the original order quantity changed since you first reported activity for this manufacturing order or schedule.

Open. The remaining quantity yet to be received into stock on the order. (ORQTY + QTDEV - QTSPL - QTSCP - QTYRC). If yield is applied to the order, actual scrap is not subtracted from the order until it exceeds the planned order scrap.

Completion. The total quantity reported complete from receipt-to-stock transactions from this order.

Status Code. One of the following six manufacturing order status codes:

- 10** Released, but no activity reported.
- 40** Order started or line primed if REP is installed and interfacing.
- 45** Material receipt to stock has been reported as complete; PC&C has not reported labor as complete (outside operations, labor, machine, and miscellaneous charges).
- 50** PC&C has reported labor as complete; material receipt to stock has not been reported as complete.
- 55** Order complete; includes all material and labor. If REP is installed and interfacing, schedule complete; last transaction has been reported.
- 99** Order canceled; no activity has been reported.

Hours Remain. The number of hours of work remaining on an open manufacturing order. If REP was installed and interfacing, this field is blank.

Contents	Index	Exit
--------------------------	-----------------------	----------------------

Critical Ratio. Time available divided by normal time required to complete the order. A measure of the relative priority of orders. An order that is behind schedule has a small critical ratio value (<1.00), and an order that is ahead of schedule has a large critical ratio value (>1.00).

Days Off Sched (Days off schedule). The order due date minus the calculated order completion date. If CRP was installed and interfacing, the computer uses the days off schedule to arrive at backward scheduled dates for each operation.

Overlapped Ops (Overlapped operations). Indicates if you performed multiple operations at the same time.

Production Line. For an order initiated in the Repetitive Production Management application, the production line on which you processed the schedule.

S-Number. The select number representing the features and options used to create the end item.

[Contents](#)[Index](#)[Exit](#)

AMIH14—Order History Accounting Summary (Inquiry)

Use this display to see the accounting summary information for an order you selected. You can see the following for an order:

- Class codes
- Accounting classes
- Hour and cost variances
- Cost information.

This display appears if you:

- Select option 2 on the Order History Select Orders (Select) display (AMIH11)
- Use **F09** on one of the following displays:
 - Order History Production Summary (Inquiry) display (AMIH13)
 - Order History Select Materials (Inquiry) display (AMIH15)
 - Order History Select Operations (Inquiry) display (AMIH19)
 - Order History Select Miscellaneous Charges (Inquiry) display (AMIH1E).

```

Date **/**/**                Order History      Inquiry      AMIH14  **
                             Accounting Summary
Order Number *****
Item Number ***** Warehouse ***
Description *****
Reference *****
Department ****
Customer Job *****
Planner ***** Item Actg Cls ***
Item Class **** Ord Actg Cls ***
-----Costs-----
Standard Unit *****
Total Standard *****
Actual Setup *****
Actual Labor *****
Actual OH *****
Actual Matl *****
Actual Misc *****
Receipts at Std *****
Total Actual *****
Total Variance *****
F02 Next Order  F04 Select Matl  F05 Select Oper  F06 Select Misc
F08 Prod Summary  F19 Return      F24 End
Material Usage *****
Material Cost *****
Setup Usage *****
Setup Cost *****
Run Usage *****
Run Cost *****
Machine Usage *****
Machine Cost *****
Overhead Usage *****
Overhead Cost *****
Misc Chg Usage *****
Misc Chg Cost *****
-----Variances-----

```

What to do

To continue, use a function key.

Function keys

F02 Next Order causes the requested display to appear for the next selected order. If you are already viewing the last selected summary order, **F02** causes the Order History Select Orders (Select) display (AMIH11) to appear.

F04 Select Matl (Select Material) causes the Order History Select Materials (Inquiry) display (AMIH15) to appear for the current order.

F05 Select Oper (Select Operations) causes the Order History Select Operations (Inquiry) display (AMIH19) to appear for the current order.

Contents	Index	Exit
--------------------------	-----------------------	----------------------

F06 Select Misc (Select Miscellaneous Charges) causes the Order History Select Miscellaneous Charges (Inquiry) display (AMIH1E) to appear for the current order.

F08 Prod Summary (Production Summary) causes the Order History Production Summary (Inquiry) display (AMIH13) to appear for the current order.

F19 Return causes the Order History Select Orders (Select) display (AMIH11) to appear again.

F24 End causes the Manufacturing Order History menu (AMIMA0) to appear again.

Fields

Order Number. A control number used in the order history data base to identify an order. A first character of S indicates schedules. A first character of M indicates manufacturing orders.

Item Number. A control number that identifies finished items.

Warehouse. A warehouse in which you stored the finished items.

Dates.

Start. The planned start date.

Actual Start. The date you actually started the order.

Last Trans (Last transaction). The date of the last transaction or file maintenance.

Due. The date the order was due to be completed and the items received into stock.

Closeout. The date you purged the order from the open order files.

Description. The brief description of the finished item.

Reference. An identifying number used to associate the order with one or more other orders.

Department. The number of the department for the item.

Cust Job (Customer Job Number). The customer job or order number that references this order.

If COM is installed and interfacing with IM, a customer order number includes the company number and order type of the associated customer order.

Planner. A code that identifies who is responsible to plan the replenishment strategy for a finished item.

Item Class. A user-defined code that identifies the class or group to which this item belongs. For example, ST might indicate that you classified this item with that group of items made of steel. This field is in both the Item Master and Item Balance files.

[Contents](#)[Index](#)[Exit](#)

Item Actg Class (Item accounting class). A user-defined control number that classifies items for accounting purposes.

Ord Actg Cls (Order accounting class). A User-defined control number used to classify orders for accounting purposes.

Variances.

Material Usage. The variance amount attributable to the difference between actual and standard quantity usage.

Material Cost. The variance amount attributable to the difference between actual and standard unit cost.

Setup Usage. The variance amount attributable to the difference between actual and standard setup hours.

Setup Cost. The variance amount attributable to the difference between the actual and standard setup cost.

Run Usage. The variance amount attributable to the difference between actual and standard run labor hours.

Run Cost. The variance amount attributable to the difference between the actual and standard run labor cost.

Machine Usage. The variance amount attributable to the difference between actual and standard run machine hours.

Machine Cost. The variance amount attributable to the difference between actual and standard run machine cost.

Overhead Usage. The variance amount attributable to the difference between actual and standard overhead hours.

Overhead Cost. The variance amount attributable to the difference between actual and standard overhead costs.

Misc Chg Usage (Miscellaneous charge usage). The variance amount attributable to the difference between actual and standard miscellaneous charge quantity.

Misc Chg Cost (Miscellaneous charge cost). The variance amount attributable to the difference between actual and standard miscellaneous charge cost.

Costs.

Standard Unit. The standard, average, or last cost depending on how you tailored Inventory Management. If cost is zero, the system uses the unit cost default in the Item Master file.

Total Standard. Standard unit cost multiplied by the original quantity.

Actual Misc (Actual miscellaneous). The actual miscellaneous charges for this order.

Contents	Index	Exit
--------------------------	-----------------------	----------------------

Actual Setup. The actual labor setup costs for this order.

Actual Labor. The actual run labor costs for this order.

Actual OH (Actual overhead). The actual overhead costs for this order.

Actual Matl (Actual material). The actual material costs for this order.

Receipts at Std (Receipts at standard cost). The total standard cost of receipts for this order.

Total Actual. Actual total cost of individual components issued to the order.
Actual setup + Actual labor + Actual Overhead + Actual material.

Total Variance. Standard cost at receipts - Total actual cost.

Contents	Index	Exit
----------	-------	------

AMIH15—Order History Select Materials (Inquiry)

Use this display to see component materials for an order you selected. When you use this display, you can see general, production, or accounting information for the components of an order, including the following: units of measure, floor stock codes, quantities, dates, and costs.

This display appears if you:

- Select option 3 on the Order History Select Orders (Select) display (AMIH11)
- Use **F04** on one of the following displays:
 - Order History Production Summary (Inquiry) display (AMIH13)
 - Order History Accounting Summary (Inquiry) display (AMIH14)
 - Order History Select Operations (Inquiry) display (AMIH19)
 - Order History Select Miscellaneous Charges (Inquiry) display (AMIH1E).

```

Date **/**/**                Order History      Inquiry      AMIH15  **
                               Select Materials

Order Number *****        Position to
Item Number *****        Warehouse ***   Component aaaaaaaaaA15
Description *****        Warehouse aA3
Reference *****          User Seq aaA4

Type options; then press Enter.
1=Genl Matl  2=Prod Matl  3=Acct Matl

Opt Component Item  WH  SEQ  -----Description-----  UM FS  OP W/U
n *****          ***  **** *****                          ** *  ****
n *****          ***  **** *****                          ** *  ****
n *****          ***  **** *****                          ** *  ****
n *****          ***  **** *****                          ** *  ****
n *****          ***  **** *****                          ** *  ****
n *****          ***  **** *****                          ** *  ****
n *****          ***  **** *****                          ** *  ****
n *****          ***  **** *****                          ** *  ****
n *****          ***  **** *****                          ** *  ****
n *****          ***  **** *****                          ** *  ****
F02 Next Order   F05 Select Oper   F06 Select Misc   F08 Prod Summary
F09 Acct Summary F13 Repeat        F14 Alternate Seq F18 Refresh
F19 Return      F24 End

```

What to do

- To view general information, select option 1. The Order History General Material (Inquiry) display (AMIH16) appears.
- To view production information, select option 2. The Order History Production Material (Inquiry) display (AMIH17) appears.
- To view accounting information, select option 3. The Order History Accounting Material (Inquiry) display (AMIH18) appears.
- To search for a particular value, type a full or partial value in the **Position-to** field. This display appears again with that value (or the next higher value) you selected at the top of the list. If the system does not find an equal or higher value, a message appears.

Contents	Index	Exit
--------------------------	-----------------------	----------------------

Function keys

F02 Next Order causes the requested display to appear for the next selected order. If you are already viewing the last selected summary order, **F02** causes the Order History Select Orders (Select) display (AMIH11) to appear.

F05 Select Oper (Select Operations) causes the Order History Select Operations (Inquiry) display (AMIH19) to appear for the current order.

F06 Select Misc (Select Miscellaneous Charges) causes the Order History Select Miscellaneous Charges (Inquiry) display (AMIH1E) to appear for the current order.

F08 Prod Summary (Production Summary) causes the Order History Production Summary (Inquiry) display (AMIH13) to appear for the current order.

F09 Acct Summary (Accounting Summary) causes the Order History Accounting Summary (Inquiry) display (AMIH14) to appear for the current order.

F13 Repeat repeats the selected option to the end of the list for the current item on the current display. Enter an option beside the first record you want to select. Position the cursor on that option field again before you press **F13**.

F14 Alternate Seq causes the materials to appear in an alternate sort sequence. The first time the materials appear for a schedule, the sequence is by operation where used and item. The first time the materials appear for a manufacturing order, the sequence is by item, warehouse, and user sequence number. Use this function key to change the sort sequence and column headings on the display.

F18 Refresh causes this display to appear again with anything you typed on it cleared.

F19 Return causes the Order History Select Orders (Select) display (AMIH11) to appear again.

F24 End ignores any data you typed on this display. The Manufacturing Order History menu (AMIMAO) appears again.

Fields

Order Number. A control number used in the order history data base to identify an order. A first character of S indicates schedules. A first character of M indicates manufacturing orders.

Position to Component/Warehouse/User Seq (Position to component/warehouse/user sequence). The fields that appear depend on whether you are looking at a manufacturing order or a schedule. Type in the position-to values for the component you want to see at the top of the list.

Item Number. A control number that identifies finished items.

Warehouse. A warehouse in which you stored the finished items.

Description. The brief description of the finished item.

Contents	Index	Exit
--------------------------	-----------------------	----------------------

Reference. An identifying number that associates this order with one or more orders.

Opt (Option). Type in the option number for the component materials information you want to look at. The option numbers are as follows:

- 1 General material information: you can see units of measure, floor stock codes, first operations, quantities, and descriptions
- 2 Production material information: you can see dates and quantities
- 3 Accounting material information: you can see dates and costs

Component Item. The number of a component item for this order.

WH (Warehouse). A warehouse in which you stored the component items.

Seq (User sequence). The user sequence number for the component on the order.

Description. The brief description of the component item.

UM (Unit of measure). The user-assigned code that defines the measurement basis for this item. Examples are EA (each), KG (kilogram), and CM (centimeter).

FS (Floor stock). The floor stock code. One of the following codes:

- blank** Not floor stock
- C** Controlled floor stock
- U** Uncontrolled floor stock

See "Floor stock considerations" for further information on floor stock components.

OP W/U (Operation where used). The operation sequence number that corresponds to the routing for this component. It represents the routing step where this component is first used.

[Contents](#)[Index](#)[Exit](#)

AMIH16—Order History General Material (Inquiry)

Use this display to see general information for a component you selected.

This display appears if you:

- Select option 1 on the Order History Select Materials (Inquiry) display (AMIH15)
- Use **F07** on one of the following displays:
 - Order History Production Material (Inquiry) display (AMIH17)
 - Order History Accounting Material (Inquiry) display (AMIH18).

```

Date **/**/**                Order History      Inquiry      AMIH16   **
                               General Material

Order Number *****
Item Number ***** Warehouse ***
Description *****

User Sequence      ****
Component Item     ***** Warehouse ***
Description        *****
Unit of Measure   **
Floor Stock        *
Backflush          *
First Operation    ****
Quantity Required ***** ***
Date Required      **/**/**
Last Issue         **/**/**

F02 Next Mat1      F08 Prod Mat1     F09 Acct Mat1     F19 Return
F24 End

```

What to do

To continue, use a function key.

Function keys

F02 Next Mat1 (Next Material) causes the requested display to appear for the next selected material item. If you are already viewing the last selected component, F02 causes the Order History Select Material display (AMIH15) to appear again.

F08 Prod Mat1 (Production Material) causes the Order History Production Material (Inquiry) display (AMIH17) to appear for the current order.

F09 Acct Mat1 (Accounting Material) causes the Order History Accounting Material (Inquiry) display (AMIH18) to appear for the current order.

F19 Return causes the Order History Select Materials (Inquiry) display (AMIH15) to appear again.

F24 End causes the Manufacturing Order History menu (AMIMA0) to appear again.

Contents	Index	Exit
--------------------------	-----------------------	----------------------

Fields

Order Number. A control number used in the order history data base to identify an order. A first character of S indicates schedules. A first character of M indicates manufacturing orders.

Item Number. A control number that identifies finished items.

Warehouse. A warehouse in which you stored the finished items.

Description. The brief description of the finished item.

User Sequence. The user-designated sequence number for this component that establishes its sequence in the bill of material. Entered in Product Data Management.

Component Item. The number of a component item for this order.

Warehouse. A warehouse in which you stored the component items.

Description. The brief description of the component item.

Unit Of Measure. The user-assigned code that defines the measurement basis for this item. Examples are EA (each), KG (kilogram), and CM (centimeter).

Floor Stock. The floor stock code. One of the following codes:

blank	Not floor stock
C	Controlled floor stock
U	Uncontrolled floor stock

See "Floor stock considerations" for further information on floor stock components.

Backflush. The code that identifies whether component backflushing for controlled floor stock items is done using the component quantity adjusted for yield or the standard component quantity.

0	Use setting from Warehouse Master (default).
1	Use adjusted quantity per to backflush.
2	Use standard quantity per to backflush.

First Operation. The sequence number of the first operation that uses this material.

Quantity Required. The quantity of this component required for this order.

Date Required. The date on which you require this component for the manufacturing order or schedule.

Last Issue. The date you last issued this component for the manufacturing order or schedule.

[Contents](#)[Index](#)[Exit](#)

AMIH17—Order History Production Material (Inquiry)

Use this display to see production information for a component you selected.

This display appears if you:

- Select option 2 on the Order History Select Materials (Inquiry) display (AMIH15)
- Use **F08** on one of the following displays:
 - Order History General Material (Inquiry) display (AMIH16),
 - Order History Accounting Material (Inquiry) display (AMIH18).

```

Date **/**/**                Order History      Inquiry      AMIH17  **
                               Production Material

Order Number *****
Item Number ***** Warehouse ***
Description *****

User Sequence      ****
Component Item     ***** Warehouse ***
Description        *****

-----Dates-----
Required  **/**/**
Last Issue **/**/**

-----Quantities-----
Required      *****.*
Adj Qty Per   *****.*
Std Qty Per   *****.*
Total Issued  *****.*
Period Issued *****.*
Scrapped      *****.*
Returned      *****.*

F02 Next Matl      F07 Genl Matl      F09 Acct Matl      F19 Return
F24 End

```

What to do

To continue, use a function key.

Function keys

F02 Next Matl (Next Material) causes the requested display to appear for the next selected material item. If you are already viewing the last selected component, **F02** causes the Order History Select Material display (AMIH15) to appear again.

F07 Genl Matl (General Material) causes the Order History General Material (Inquiry) display (AMIH16) to appear for the current order.

F09 Acct Matl (Accounting Material) causes the Order History Accounting Material (Inquiry) display (AMIH18) to appear for the current order.

F19 Return causes the Order History Select Materials (Inquiry) display (AMIH15) to appear again.

F24 End causes the Manufacturing Order History menu (AMIMA0) to appear again.

Contents	Index	Exit
--------------------------	-----------------------	----------------------

Fields

Order Number. A control number used in the order history data base to identify an order. A first character of S indicates schedules. A first character of M indicates manufacturing orders.

Item Number. A control number that identifies finished items.

Warehouse. A warehouse in which you stored the finished items.

Description. The brief description of the finished item.

User Sequence. The user-designated sequence number for this component that establishes its sequence in the bill of material. Entered in Product Data Management.

Component Item. The number of a component item for this order.

Warehouse. A warehouse in which you stored the component items.

Description. The brief description of the component item.

Dates.

Required. The date you expected this component to be needed for the manufacturing process.

Last Issue. The date you last issued this component to the manufacturing order or schedule.

Quantities.

Required. The total quantity of this component originally allocated for the manufacturing order or schedule.

Adj Qty Per. The adjusted quantity per for the item.

Std Qty Per. The standard quantity per for the item.

Total Issued. The total quantity of this component you issued to the manufacturing order or schedule.

Period Issued. The quantity of this component issued in the last period before you closed the manufacturing order or schedule.

Scrapped. The quantity of the item or component that was rejected as scrap.

Returned. The quantity of this component you returned to stock for this order or schedule.

[Contents](#)[Index](#)[Exit](#)

AMIH18—Order History Accounting Material (Inquiry)

Use this display to see accounting information for a component you selected.

This display appears if you:

- Select option 3 on the Order History Select Materials (Inquiry) display (AMIH15)
- Use **F09** on one of the following displays:
 - Order History General Material (Inquiry) display (AMIH16)
 - Order History Production Material (Inquiry) display (AMIH17).

```

Date **/**/**                Order History      Inquiry      AMIH18   **
                               Accounting Material

Order Number *****
Item Number ***** Warehouse ***
Description *****

User Sequence      ****
Component Item     ***** Warehouse ***
Description        *****

-----Dates-----
Required  **/**/**
Last Issue **/**/**

-----Costs-----
Unit          *****.**
Standard      *****.**

Period Actual *****.**
Total Actual  *****.**
Total Variance *****.**

F02 Next Matl   F07 Genl Matl   F08 Prod Matl   F19 Return
F24 End

```

What to do

To continue, use a function key.

Function keys

F02 Next Matl (Next Material) causes the requested display to appear for the next selected material item. If you are already viewing the last selected component, **F02** causes the Order History Select Material display (AMIH15) to appear again.

F07 Genl Matl (General Material) causes the Order History General Material (Inquiry) display (AMIH16) to appear for the current order.

F08 Prod Matl (Production Material) causes the Order History Production Material (Inquiry) display (AMIH17) to appear for the current order.

F19 Return causes the Order History Select Materials (Inquiry) display (AMIH15) to appear again.

F24 End causes the Manufacturing Order History menu (AMIMA0) to appear again.

Contents	Index	Exit
--------------------------	-----------------------	----------------------

Fields

Order Number. A control number used in the order history data base to identify an order. A first character of S indicates schedules. A first character of M indicates manufacturing orders.

Item Number. A control number that identifies finished items.

Warehouse. A warehouse in which you stored the finished items.

Description. The brief description of the component item.

User Sequence. The user-designated sequence number for this component that establishes its sequence in the bill of material. Entered in Product Data Management.

Component Item. The number of a component item for this order.

Warehouse. A warehouse in which you stored the component items.

Description. The brief description of the finished item.

Dates.

Required. The date you expected this component to be needed for the manufacturing process.

Last Issue. The date you last issued this component to the manufacturing order or schedule.

Costs.

Unit. The unit cost of the component item used by inventory accounting at the time you released the order.

Standard. The standard unit cost multiplied by the quantity required at the time you released the order.

Period Actual. Actual cost this period.

Total Actual. Total actual cost of the individual component issued to the order.

Total Variance. The total variance of the component standard cost versus the actual cost.

[Contents](#)[Index](#)[Exit](#)

AMIH19—Order History Select Operations (Inquiry)

Use this display to see operations for an order you selected.

This display appears if you:

- Select option 4 on the Order History Select Orders (Select) display (AMIH11)
- Use **F05** on one of the following displays:
 - Order History Production Summary (Inquiry) display (AMIH13)
 - Order History Accounting Summary (Inquiry) display (AMIH14)
 - Order History Select Materials (Inquiry) display (AMIH15)
 - Order History Select Miscellaneous Charges (Inquiry) display (AMIH1E).

```

Date **/**/**                Order History      Inquiry      AMIH19  **
                               Select Operations

Order Number *****
Item Number ***** Warehouse ***      Position to
Description ***** Operation aaA4

Type options; then press Enter.
1=Genl Oper  2=Prod Oper  3=Acct Oper  4=Oper Desc
Opt  Oper  ----Description---- Facility  TBC  Process  Tool  Status
n  ****  *****                *****  *  *****  *****  **
n  ****  *****                *****  *  *****  *****  **
n  ****  *****                *****  *  *****  *****  **
n  ****  *****                *****  *  *****  *****  **
n  ****  *****                *****  *  *****  *****  **
n  ****  *****                *****  *  *****  *****  **
n  ****  *****                *****  *  *****  *****  **
n  ****  *****                *****  *  *****  *****  **
n  ****  *****                *****  *  *****  *****  **
n  ****  *****                *****  *  *****  *****  **

F02 Next Order  F04 Select Matl  F06 Select Misc  F08 Prod Summary
F09 Acct Summary  F13 Repeat      F19 Return      F24 End
  
```

What to do

- To view general operation information, select option 1. The Order History General Operation (Inquiry) display (AMIH1A) appears.
- To view production operation information, select option 2. The Order History Production Operation (Inquiry) display (AMIH1B) appears.
- To view accounting operation, select option 3. The Order History Accounting Operation (Inquiry) display (AMIH1C) appears.
- To view operation description information, select option 4. The Order History Operation Descriptions (Inquiry) display (AMIH1D) appears.
- To search for a particular value, type a full or partial value in the **Position-to** field. This display appears again with that value (or the next higher value) you selected at the top of the list. If the system does not find an equal or higher value, a message appears.

Contents	Index	Exit
-----------------	--------------	-------------

Function keys

F02 Next Order causes the requested display to appear for the next selected order. If you are already viewing the last selected summary order, **F02** causes the Order History Select Orders (Select) display (AMIH11) to appear.

F04 Select Matl (Select Material) causes the Order History Select Materials (Inquiry) display (AMIH15) to appear for the current order.

F06 Select Misc (Select Miscellaneous Charges) causes the Order History Select Miscellaneous Charges (Inquiry) display (AMIH1E) to appear for the current order.

F08 Prod Summary (Production Summary) causes the Order History Production Summary (Inquiry) display (AMIH13) to appear for the current order.

F09 Acct Summary (Accounting Summary) causes the Order History Accounting Summary (Inquiry) display (AMIH14) to appear for the current order.

F13 Repeat repeats the selected option to the end of the list for the current item on the current display. Enter an option beside the first record you want to select. Position the cursor on that option field again before you press **F13**.

F19 Return causes the Order History Select Orders (Inquiry) display (AMIH11) to appear again. The system ignores any selections you made.

F24 End ignores any data you typed on this display. The Manufacturing Order History menu (AMIMAO) appears again.

Fields

Order Number. A control number in the order history data base that identifies an order. A first character of S indicates schedules. A first character of M indicates manufacturing orders.

Position to Operation. If you want a specific operation to appear at the top of the list, type in the number of the operation.

Item Number. A control number that identifies finished items.

Warehouse. A warehouse in which you stored the finished items.

Description. The brief description of the finished item.

Opt (Option). Type in the option number for the operation you want to look at. The option numbers are as follows:

- 1 General operation information: you can see dates, time basis codes, tool numbers, and status
- 2 Production operation information: you can see hours, yields, and quantities
- 3 Accounting operation information: you can see costs
- 4 Operation descriptions information: you can see the additional descriptions, if any

Contents	Index	Exit
--------------------------	-----------------------	----------------------

Oper (Operation). The number that defines the sequence in which the operations are performed.

Description. The brief description of the operation.

Facility. The identification code of the production area (facility) where you performed this operation. A production facility can be a single machine, a group of machines, or a cost center.

TBC (Time basis code). The time basis code. This determines the meaning of the run labor and machine standards. Possible values are:

Blank	Hours per unit
C	Cost per piece (outside operation)
H	Hours per lot
M	Minutes per piece
P	Pieces per hour
1	Hours per 10 units
2	Hours per 100 units
3	Hours per 1000 units
4	Hours per 10000 units

Process. The process sheet number for this operation.

Tool. The tool or tool list required by this operation.

Status. The operation status code. Possible values are:

00	Inactive, not used in schedule
10	Active or released
20	The order has been moved to this operation
30	Activity has been reported
40	Operation complete; activity reported as complete
50	Move complete

Schedule orders will be only a status of 00 or 10.

AMIH1A—Order History General Operation (Inquiry)

Use this display to see general information about an operation for an order you selected.

This display appears if you:

- Select option 1 on the Order History Select Operations (Inquiry) display (AMIH19)
- Use **F07** on one of the following displays:
 - Order History Production Operation (Inquiry) display (AMIH1B)
 - Order History Accounting Operation (Inquiry) display (AMIH1C)
 - Order History Operation Descriptions (Inquiry) display (AMIH1D).

```

Date **/**/**                Order History      Inquiry      AMIH1A  **
                               General Operation

Order Number *****
Item Number ***** Warehouse ***
Description *****

Operation      ****
Description    *****
Facility       *****
Actual Facility *****
Time Basis    *
Process Sheet  *****
Tool Number   *****
Status        **
Rework Flag   *
Milestone     *
Alt Rtg Select **

-----Dates-----
Scheduled Start  **/**/**
Actual Start    **/**/**
Scheduled Completion **/**/**
Last Transaction **/**/**
Arrival To      **/**/**
Departure From  **/**/**
Actual Compl Time **/**/**
Order Due       **/**/**

F02 Next Oper   F08 Prod Oper   F09 Acct Oper   F12 Oper Desc
F19 Return     F24 End
    
```

What to do

To continue, use a function key.

Function keys

F02 Next Oper (Next Operation) causes this display to appear for the next selected operation. If you are already viewing the last selected operation, F02 causes the Order History Select Operations display (AMIH19) to appear.

F08 Prod Oper (Production Operation) causes the Order History Production Operation (Inquiry) display (AMIH1B) to appear for the current operation of the current order.

F09 Acct Oper (Accounting Operation) causes the Order History Accounting Operation (Inquiry) display (AMIH1C) to appear for the current operation of the current order.

Contents	Index	Exit
--------------------------	-----------------------	----------------------

F12 Oper Desc (Operation Description) causes the Order History Operation Descriptions (Inquiry) display (AMIH1D) to appear for the current operation of the current order.

F19 Return causes the Order History Select Operations (Inquiry) display (AMIH19) to appear again.

F24 End causes the Manufacturing Order History menu (AMIMA0) to appear again.

Fields

Order Number. A control number used in the order history data base to identify an order. A first character of S indicates schedules. A first character of M indicates manufacturing orders.

Item Number. A control number that identifies finished items.

Warehouse. A warehouse in which you stored the finished items.

Description. The brief description of the finished item.

Operation. The number that defines the sequence in which the operation was performed.

Dates.

Scheduled Start. The date on which the operation was scheduled to start.

Actual Start. The date on which you actually started the operation.

Scheduled Completion. The date on which you scheduled the operation to be complete.

Last Transaction. The date of the last transaction or file maintenance for this operation.

Arrival To. The date of actual arrival to this operation.

Departure From. The date of actual departure to the next operation.

Actual Compl Time (Actual completion time). The actual date of operation completion.

Order Due. The order due date.

Description. The brief description of the operation.

Facility. The identification code of the production area (facility) at which you originally scheduled this operation. A production facility can be a single machine, a group of machines, or a cost center.

Actual Facility. The identification code of the production facility at which you actually reported labor for this operation. A production facility can be a single machine, a group of machines, or a cost center.

Contents	Index	Exit
-----------------	--------------	-------------

Time Basis. The time basis code. This determines the meaning of the run labor and machine standards. Possible values are:

Blank	Hours per unit
C	Cost per piece (outside operation)
H	Hours per lot
M	Minutes per piece
P	Pieces per hour
1	Hours per 10 units
2	Hours per 100 units
3	Hours per 1000 units
4	Hours per 10000 units

Schedule orders will be only a status of 00 or 10.

Process Sheet. The process sheet number for this operation.

Tool Number. The tool or tool list required by this operation.

Status. The operation status code. Possible values are:

00	Inactive, not used in schedule
10	Active or released
20	The order has been moved to this operation
30	Activity has been reported
40	Operation complete; activity reported as complete
50	Move complete

Schedule orders will be only a status of 00 or 10.

Rework Flag. A code that identifies a rework operation:

0	No
1	Yes

Milestone. The type of a sub-operation if it belongs to a milestone group.

First sub-operation:

B	Group with no activity reported
P	Group with activity reported
C	Group with activity reported complete

Not first or last sub-operation:

S	A sub-operation that is between the first and last sub-operations
----------	---

Last sub-operation:

J	End of a job shop milestone group
F	End of a flow shop milestone group

Alt Rtg Select (Alternate routing selected). A user-defined code that identifies which additional operations you added to the routing. A default of blank (no select) indicates that you added only base operations (you added no additional operations).

[Contents](#)[Index](#)[Exit](#)

AMIH1B—Order History Production Operation (Inquiry)

Use this display to see production information about an operation for an order you selected.

This display appears if you:

- Select option 2 on the Order History Select Operations (Inquiry) display (AMIH19)
- Use **F08** on one of the following displays:
 - Order History General Operation (Inquiry) display (AMIH1A)
 - Order History Accounting Operation (Inquiry) display (AMIH1C)
 - Order History Operation Descriptions (Inquiry) display (AMIH1D).

```

Date **/**/**                Order History      Inquiry      AMIH1B  **
                             Production Operation

Order Number *****
Item Number  ***** Warehouse ***
Description  *****

Operation      ****
Description    *****
Facility       *****
Actual Facility *****
Move Time     **.*
Queue Time    **.*
Prime Load Code *
Previous Oper Yld *.***
Current Oper Yld *.***

-----Quantities-----
Compl Last Period *****.*
Complete To Date *****.*
Scrapped To Date *****.*

---Standard Hours---
Setup          **.*
Run Machine    *****.*
Run Labor      *****.*
Crew Size      **

-----Actual Hours-----
Last Period   To-Date
Setup Labor   **.*   **.*
Setup Machine **.*   **.*
Run Labor     **.*   **.*
Run Machine   **.*   **.*

F02 Next Oper      F07 Genl Oper      F09 Acct Oper      F12 Oper Desc
F19 Return         F24 End

```

What to do

To continue, use a function key.

Function keys

F02 Next Oper (Next Operation) causes this display to appear for the next selected operation. If you are already viewing the last selected operation, **F02** causes the Order History Select Operations display (AMIH19) to appear.

F07 Genl Oper (General Operation) causes the Order History General Operation (Inquiry) display (AMIH1A) to appear for the current operation of the current order.

F09 Acct Oper (Accounting Operation) causes the Order History Accounting Operation (Inquiry) display (AMIH1C) to appear for the current operation of the current order.

[Contents](#)[Index](#)[Exit](#)

F12 Oper Desc (Operation Description) causes the Order History Operation Descriptions (Inquiry) display (AMIH1D) to appear for the current operation of the current order.

F19 Return causes the Order History Select Operations (Inquiry) display (AMIH19) to appear again.

F24 End causes the Manufacturing Order History menu (AMIMA0) to appear again.

Fields

Order Number. A control number used in the order history data base to identify an order. A first character of S indicates schedules. A first character of M indicates manufacturing orders.

Item Number. A control number that identifies finished items.

Warehouse. A warehouse in which you stored the finished items.

Description. The brief description of the finished item.

Operation. The number that defines the sequence in which the operation was performed.

Standard Hours.

Setup. The standard setup hours per lot.

Run Machine. The standard run machine hours for this operation. Both the time basis code and order quantity have been taken into consideration. If the time basis code is M, the time appears in minutes.

Run Labor. The standard run labor hours for this operation. Both the time basis code and order quantity have been taken into consideration. If the time basis code is M, the time appears in minutes.

Crew Size. The number of personnel required for the operation at setup time.

Description. The brief description of the operation.

Facility. The identification code of the production area (facility) at which you originally scheduled this operation. A production facility can be a single machine, a group of machines, or a cost center.

Actual Facility. The identification code of the production facility at which you actually reported labor for this operation. A production facility can be a single machine, a group of machines, or a cost center.

Move Time. The total time in days it took to move the finished item from the previous operation to this operation. If the time basis code is C, the number of days required for the outside operation.

Queue Time. The expected number of days a job waits in the queue at this facility before work begins on it.

Contents	Index	Exit
--------------------------	-----------------------	----------------------

Prime Load Code. The prime load code for this facility. The system used the prime load code to calculate the duration of the operation for PC&C and CRP scheduling routines. It identifies the critical (constraining) operation time factors necessary to schedule each operation's due date from its operation start date. The valid codes are:

- 0** No hours accumulated
- 1** Run machine hours
- 2** Setup labor hours * Setup cew size
- 3** (Setup labor hours * Setup cew size) + Run machine hours
- 4** Run labor hours
- 5** (Setup labor hours * Setup cew size) + Run labor hours

Actual Hours. All fields show the actual hours for the last period and to-date for this order.

Setup Labor. The labor time required to set up for this operation. PDM product costing uses this field to calculate standard and current labor and labor overhead content this-level in the associated Item Master B-record.

Setup Machine. The machine time required during set up for this operation.

Run Labor. The labor time required to run the operation. When Run Labor Time is extended by the time basis code, this field shows the expected hours or minutes of run labor necessary to produce one or more units (depending on the TBC) of this item. If the time basis code is C, indicating an outside operation, run labor represents the vendor's price to produce one unit of the item. If the time basis code is P, labor represents the quantity per hour. If the cost technique code is R, PDM product costing uses this field to determine the run labor portion of standard and current labor and overhead content this-level in the associated Item Master B-record.

Run Machine. The machine time required to run the operation. When adjusted by the TBC, this is the time in hours or minutes you expected the machine in the associated facility to run to produce one or more units of the item. If the time basis code is C, the system does not adjust machine time. PDM product costing also uses this field to calculate standard and current labor overhead content this-level in the associated Item Master B-record.

Previous Oper Yld (Previous operation yield). The percentage of completed units of the item that passed inspection at the previous operation. $\text{Quantity complete} + (\text{Quantity complete} + \text{Quantity scrapped}) \times 100 = \text{Percent yield}$.

Current Oper Yld (Current operation yield). The percentage of completed units of the item that passed inspection. $\text{Quantity complete} + (\text{Quantity complete} + \text{Quantity scrapped}) \times 100 = \text{Percent yield}$.

Quantities.

Compl Last Period (Completed last period). The quantity reported complete at this operation during the last period.

Complete To Date. The quantity reported complete at this operation at this time.

Scrapped To Date: The reported scrap at this operation at this time.

[Contents](#)[Index](#)[Exit](#)

AMIH1C—Order History Accounting Operation (Inquiry)

Use this display to see accounting information about an operation for an order you selected.

This display appears if you:

- Select option 3 on the Order History Select Operations (Inquiry) display (AMIH19)
- Use **F09** on one of the following displays:
 - Order History General Operation (Inquiry) display (AMIH1A)
 - Order History Production Operation (Inquiry) display (AMIH1B)
 - Order History Operation Descriptions (Inquiry) display (AMIH1D).

```

Date **/**/**                Order History      Inquiry      AMIH1C   **
                               Accounting Operation

Order Number *****
Item Number ***** Warehouse ***
Description *****

Operation      ****                Facility      ****
Description    *****                PN Fac Actg Cls  ***

-----Standard Costs-----  -----Actual Costs-----
Setup Rate      *****.**          Last Period      To-Date
Run Rate        *****.**          Setup Labor *****.**
Overhead Code   *                Machine          *****.**
Overhead Rate   *****.**          Run Labor        *****.**
Lab/OH At Rel  *****.**          Overhead         *****.**
Outside Ops     *****.**          *****          *****.**

F02 Next Oper   F07 Genl Oper   F08 Prod Oper   F12 Oper Desc
F19 Return      F24 End

```

What to do

To continue, use a function key.

Function keys

F02 Next Oper (Next Operation) causes this display to appear for the next selected operation. If you are already viewing the last selected operation, **F02** causes the Order History Select Operations display (AMIH19) to appear.

F07 Genl Oper (General Operation) causes the Order History General Operation (Inquiry) display (AMIH1A) to appear for the current operation of the current order.

F08 Prod Oper (Production Operation) causes the Order History Production Operation (Inquiry) display (AMIH1B) to appear for the current operation of the current order.

Contents	Index	Exit
--------------------------	-----------------------	----------------------

F12 Oper Desc (Operation Description) causes the Order History Operation Descriptions (Inquiry) display (AMIH1D) to appear for the current operation of the current order.

F19 Return causes the Order History Select Operations (Inquiry) display (AMIH19) to appear again.

F24 End causes the Manufacturing Order History menu (AMIMA0) to appear again.

Fields

Order Number. A control number used in the order history data base to identify an order. A first character of S indicates schedules. A first character of M indicates manufacturing orders.

Item Number. A control number that identifies finished items.

Warehouse. A warehouse in which you stored the finished items.

Description. The brief description of the finished item.

Operation. The number that defines the sequence in which the operation was performed.

Facility. The identification code of the production area (facility) at which you originally scheduled this operation. A production facility can be a single machine, a group of machines, or a cost center.

Description. The brief description of the operation.

Pn Fac Actg Cls (Production facility accounting class). A User-defined control number used to classify orders or items by production facility for accounting purposes.

Standard Costs.

Setup Rate. The standard setup labor rate in the Production Facility file.

Run Rate. The standard run labor rate in the Production Facility file.

Overhead Code. One of four methods (A, B, C, or D) used to calculate standard labor overhead this level in the associated Item Master B records. If the time basis code is C, this field should be blank. PDM product costing must be installed and interfacing, and the cost technique code in associated Item Master B records must be R if you use this code.

Overhead Rate. Only PDM product costing in labor overhead calculations uses this value, expressed in cost per hour or percent depending on the current labor overhead code.

Lab/OH at Rel. The total standard labor and overhead cost calculated at the time you released the order.

Outside ops. [The cost per piece charged by the vendor to produce the item. This field is used when the time basis code is C.](#)

Contents	Index	Exit
--------------------------	-----------------------	----------------------

Actual Costs. All fields show the actual costs for the last period and to-date for this order.

Setup Labor. The actual setup labor costs.

Machine. The run machine actuals for this operation.

Run Labor. The actual run labor costs.

Overhead. The actual overhead costs, including machine costs.

Outside ops. The cost per piece charged by the vendor to produce the item. This field is used when the time basis code is C.

Contents

Index

Exit

AMIH1D—Order History Operation Descriptions (Inquiry)

Use this display to see descriptions of an operation for an order you selected.

This display appears if you:

- Select option 4 on the Order History Select Operations (Inquiry) display (AMIH19)
- Use **F12** on one of the following displays:
 - Order History General Operation (Inquiry) display (AMIH1A)
 - Order History Production Operation (Inquiry) display (AMIH1B)
 - Order History Accounting Operation (Inquiry) display (AMIH1C).

```

Date **/**/**                      Order History      Inquiry      AMIH1D  **
                                   Operation Descriptions
Order Number *****                Position to
Item Number ***** Warehouse ***    Line      aaA4
Description *****

Operation          ****
Description        *****

Line  -----Description-----
***  *****
***  *****
***  *****
***  *****
***  *****
***  *****
***  *****
***  *****
***  *****
***  *****
***  *****
***  *****
***  *****
***  *****
***  *****
***  *****
***  *****
***  *****
***  *****

F02 Next Oper    F07 Genl Oper    F08 Prod Oper    F09 Acct Oper
F19 Return      F24 End
  
```

What to do

- To continue, use a function key.
- To search for a particular value, type a full or partial value in the **Position-to** field. This display appears again with that value (or the next higher value) you selected at the top of the list. If the system does not find an equal or higher value, a message appears.

Function keys

F02 Next Oper (Next Operation) causes this display to appear for the next selected operation. If you are already viewing the last selected operation, **F02** causes the Order History Select Operations display (AMIH19) to appear.

F07 Genl Oper (General Operation) causes the Order History General Operation (Inquiry) display (AMIH1A) to appear for the current operation of the current order.

Contents	Index	Exit
--------------------------	-----------------------	----------------------

F08 Prod Oper (Production Operation) causes the Order History Production Operation (Inquiry) display (AMIH1B) to appear for the current operation of the current order.

F09 Acct Summary (Accounting Summary) causes the Order History Accounting Summary (Inquiry) display (AMIH14) to appear for the current order.

F19 Return causes the Order History Select Operations (Inquiry) display (AMIH19) to appear again.

F24 End causes the Manufacturing Order History menu (AMIMA0) to appear again.

Fields

Order Number. A control number used in the order history data base to identify an order. A first character of S indicates schedules. A first character of M indicates manufacturing orders.

Position to Line. Type in the number if you want a specific line in the operation description to appear at the top of the list.

Item Number. A control number that identifies finished items.

Warehouse. A warehouse in which you stored the finished items.

Description. The brief description of the operation.

Operation. The number that defines the sequence in which the operation was performed.

Description. Additional description lines.

Line. The line number of the operation's additional description.

Description. The additional descriptive information for an operation.

[Contents](#)[Index](#)[Exit](#)

AMIH1E—Order History Select Miscellaneous Charges (Inquiry)

Use this display to see miscellaneous charges for an order you selected. When you use this display, you can see descriptions, and status for a miscellaneous charge.

This display appears if you:

- Select option 5 on the Order History Select Orders (Select) display (AMIH11)
- Use **F06** on one of the following displays:
 - Order History Production Summary (Inquiry) display (AMIH13)
 - Order History Accounting Summary (Inquiry) display (AMIH14)
 - Order History Select Materials (Inquiry) display (AMIH15)
 - Order History Select Operations (Inquiry) display (AMIH19).

```

Date **/**/**                Order History      Inquiry      AMIH1E  **
                               Select Miscellaneous Charges
Order Number *****                Position to
Item Number ***** Warehouse ***    Charge Number aaaaaaaaaaA15
Description *****

```

Type options; then press Enter.

1=Genl Misc

```

Opt Miscellaneous Charge Number      Description      Status
n *****                          *****        **
n *****                          *****        **
n *****                          *****        **
n *****                          *****        **
n *****                          *****        **
n *****                          *****        **
n *****                          *****        **
n *****                          *****        **
n *****                          *****        **
n *****                          *****        **
n *****                          *****        **
n *****                          *****        **
n *****                          *****        **
n *****                          *****        **
n *****                          *****        **
F02 Next Order      F04 Select Matl      F05 Select Oper      F08 Prod Summary
F09 Acct Summary    F13 Repeat Option    F19 Return           F24 End

```

What to do

- To view general miscellaneous charge information, select option 1. The Order History General Miscellaneous Charge (Inquiry) display (AMIH1F) appears.
- To search for a particular value, type a full or partial value in the **Position-to** field. This display appears again with that value (or the next higher value) you selected at the top of the list. If the system does not find an equal or higher value, a message appears.

Function keys

F02 Next Order causes the requested display to appear for the next selected order. If you are already viewing the last selected summary order, **F02** causes the Order History Select Orders (Select) display (AMIH11) to appear.

F04 Select Matl (Select Material) causes the Order History Select Materials (Inquiry) display (AMIH15) to appear for the current order.

[Contents](#)[Index](#)[Exit](#)

F05 Select Oper (Select Operations) causes the Order History Select Operations (Inquiry) display (AMIH19) to appear for the current order.

F08 Prod Summary (Production Summary) causes the Order History Production Summary (Inquiry) display (AMIH13) to appear for the current order.

F09 Acct Summary (Accounting Summary) causes the Order History Accounting Summary (Inquiry) display (AMIH14) to appear for the current order.

F13 Repeat repeats the selected option to the end of the list for the current item on the current display. Enter an option beside the first record you want to select. Position the cursor on that option field again before you press **F13**.

F19 Return causes the Order History Select Orders (Inquiry) display (AMIH11) to appear again. The system ignores any selections you made.

F24 End ignores any data you typed on this display. The Manufacturing Order History menu (AMIMAO) appears again.

Fields

Order Number. A control number used in the order history data base to identify an order. A first character of S indicates schedules. A first character of M indicates manufacturing orders.

Item Number. A control number that identifies finished items.

Warehouse. A warehouse in which you stored the finished items.

Description. The brief description of the finished item.

Position To Charge Number. Type the number of a miscellaneous charge you want to appear first in the list.

Opt (Option). Type in **1** to look at general information about a miscellaneous charge.

Miscellaneous Charge Number. A number that identifies a miscellaneous charge for a manufacturing order or schedule.

Description. A description of the miscellaneous charge.

Status. The miscellaneous charge status code shows if any transactions have updated this record:

10 No activity reported
20 Activity reported

[Contents](#)[Index](#)[Exit](#)

AMIH1F—Order History General Miscellaneous Charge (Inquiry)

Use this display to see general information about a miscellaneous charge for an order you selected.

This display appears if you select option 1 on the Order History Select Miscellaneous Charges (Inquiry) display (AMIH1E).

```

Date **/**/**                Order History      Inquiry      AMIH1F  **
                               General Miscellaneous Charge

Order Number *****
Item Number ***** Warehouse ***
Description *****

Charge Number *****
Description *****
Status **
Last Transaction Date **/**/**

-----Standards-----
Unit Quantity *****.**
Fixed Quantity *****.**
Unit Cost *****.**
Fixed Cost *****.**

-----Actual Costs-----
Last Period      To-Date
Quantity *****.** *****.**
Cost *****.** *****.**

F02 Next Misc      F19 Return      F24 End

```

What to do

To continue, use a function key.

Function keys

F02 Next Misc (Next Miscellaneous Charge) causes the requested display to appear for the next selected miscellaneous charge. If you are already viewing the last selected miscellaneous charge, **F02** causes the Order History Select Miscellaneous Charges (AMIH1E) display to appear.

F19 Return causes the Order History Select Miscellaneous Charges (Inquiry) display (AMIH1E) to appear again.

F24 End causes the Manufacturing Order History menu (AMIMA0) to appear again.

Fields

Order Number. A control number used in the order history data base to identify an order. A first character of S indicates schedules. A first character of M indicates manufacturing orders.

Item Number. A control number that identifies finished items.

[Contents](#)[Index](#)[Exit](#)

Warehouse. A warehouse in which you stored the finished items.

Description. The brief description of the finished item.

Charge Number. The number identifying a miscellaneous charge for a manufacturing order or schedule.

Description. A description of the miscellaneous charge.

Status. The miscellaneous charge status code shows if any transactions have updated this record:

10 No activity reported

20 Activity reported

Last Transaction Date. The date of the last miscellaneous charge transaction.

Standards. Production Control and Costing calculated the standard quantity and cost fields when you entered the miscellaneous charge.

Unit Quantity. The standard unit quantity for the miscellaneous charge.

Fixed Quantity. If you did not use a standard unit quantity, the planned fixed unit quantity requested for the miscellaneous detail operation. Quantity required + (Unit * Order quantity) = Fixed quantity.

Unit Cost. The unit cost of the miscellaneous charge used by inventory accounting at the time you released the order.

Fixed Cost. Standard unit cost * Quantity.

Actual Costs. All fields show the actual costs for the last period and to-date for this order.

Quantity. The quantity accumulated to date for the miscellaneous charge.

Cost. The actual miscellaneous charge cost reported during shop activity update.

Contents	Index	Exit
--------------------------	-----------------------	----------------------

Option 2. Reports (AMIMA0)

Use this option to generate manufacturing order history reports.

What information you need: None.

What reports are printed:

- Order History Selected Orders/Schedules (AMIH30)
- Order History Production Summary (AMIH31)
- Order History Accounting Summary (AMIH32)
- Order History Production Detail (AMIH33)
- Order History Accounting Detail (AMIH34)
- Schedule History (AMIH35)

What forms you need: None.

The basic steps to generate reports follows each display.

Contents**Index****Exit**

AMIH22—Order History Report—Select Orders (Select)

Use this display to select a report format for system-generated order history reports.

This display appears if you select option 2 from the Manufacturing Order History menu (AMIMA0).

```

Date **/**/**              Order History      Select      AMIH22  **
                           Report - Select Orders
                               Position to
                               Order aaaaaA7

Type options; then press ENTER (can type one or more reports per order).
1=Production Summary      2=Accounting Summary      3=Production Detail
4=Accounting Detail      5=Repetitive Schedule
                           (Subsetted list active) View 1 of 3 MORE +->

Option  Order      Item      WH      Due      Closeout      Reference      Cust Job
nnnn ***** ***** ***** ** **/**/** **/**/** ***** *****
nnnn ***** ***** ***** ** **/**/** **/**/** ***** *****
nnnn ***** ***** ***** ** **/**/** **/**/** ***** *****
nnnn ***** ***** ***** ** **/**/** **/**/** ***** *****
nnnn ***** ***** ***** ** **/**/** **/**/** ***** *****
nnnn ***** ***** ***** ** **/**/** **/**/** ***** *****
nnnn ***** ***** ***** ** **/**/** **/**/** ***** *****
nnnn ***** ***** ***** ** **/**/** **/**/** ***** *****
nnnn ***** ***** ***** ** **/**/** **/**/** ***** *****
F11 Right      F13 Repeat      F17 Subset      F18 Refresh
F24 End

```

What to do

- To print the report, leave the Option field blank or enter a combination of values 1 through 5. The report is scheduled to print. The Manufacturing Order History menu (AMIMA0) appears again.
- To search for a particular value, type a full or partial value in the Position-to field. This display appears again with that value (or the next higher value) you selected at the top of the list. If the system does not find an equal or higher value, a message appears.

Function keys

F10 Left causes the display to window to the left to show additional fields for the orders.

F11 Right causes the display to window to the right to show additional fields for the orders.

When you use **F10** and **F11**, the following fields can appear for each order record.

Order Number
Item Number
Warehouse
Due Date
Closeout Date
Reference

Contents	Index	Exit
-----------------	--------------	-------------

Customer Job
Item Description
Planner
Production Line
S-Number
Item Class
Item Accounting Class
Order Accounting Class
Unit Cost.

F13 Repeat repeats the selected option to the end of the list for the current item on the current display. Enter an option beside the first record you want to select. Position the cursor on that option field again before you press **F13**.

F17 SUBSET causes the Order History Subset Selection (Select) display (AMIH12) to appear. You can enter ranges and sort options to limit the list of orders you want to review.

F18 Refresh causes this display to appear again with anything you typed on it cleared.

F24 End ignores any data you typed on this display and causes the Manufacturing Order History menu (AMIMA0) to appear again. The system submits no report requests.

Fields

Position to Order. If you want a specific order number to appear at the top of the list, type in the number of the order number.

Option. Type in one or more option numbers for the report format you want to select. You can select up to four report formats to print for each order selected. The option numbers are as follows:

- 1** Production Summary: you can see the finished item, planner, and quantities for a manufacturing order.
- 2** Accounting Summary: you can see projected and total cost, cost variance, and cost information for a manufacturing order.
- 3** Production Detail: you can see quantities, hours, actual and variance for components for a manufacturing order, including the following:
 - Units of measure
 - Quantities
 - Dates.
- 4** Accounting Detail: you can see quantities, costs, and hours for operations for a manufacturing order.
- 5** Repetitive Schedule: you can see quantities, dates, costs, and components for a schedule.

For example, if you want to print the Production Summary, Production Detail, and the Accounting Detail, type 134 in the **Option** column for the order. Production and Accounting Detail reports are not available if PC&C is not installed and interfacing with IM.

Contents	Index	Exit
--------------------------	-----------------------	----------------------

Order. The number of the order for which you want to print order histories. A first character of S indicates schedules. A first character of M indicates manufacturing orders.

Item. The control number that identifies the finished item.

WH (Warehouse). The warehouse in which you stored the finished item.

Due Date. The date the order was due.

Closeout Date. The date you purged the order or schedule from the open order data base.

Reference. An identifying number used to associate this order with one or more orders.

Cust Job (Customer Job). The customer job or order number that references this order.

If COM is installed and interfacing with IM, a customer order number includes the company number and order type of the associated customer order.

The remaining fields appear when you use **F11**.

Description. The brief description of the finished item.

Planner. A code that identifies who is responsible to plan the replenishment strategy for a finished item.

Production Line. For an order initiated in the Repetitive Production Management application, the production line on which you processed the schedule.

S-Number. The select number that represents the features and options used to create the end item.

Item Class. A user-defined code that identifies the class or group to which this item belongs. For example, ST might indicate that you classified this item with that group of items made of steel. This field is in both the Item Master and Item Balance files.

Item Actg Class (Item accounting class). A user-defined control number that classifies items for accounting purposes.

Ord Act Class (Order accounting class). A user-defined control number that classifies orders for accounting purposes.

Unit Cost. The unit cost of the finished item used by inventory accounting at the time you released the order.

[Contents](#)[Index](#)[Exit](#)

AMIH21—Subset Selection (Select)

Use this display to select limits for Order History reports.

For all fields that require a range, the following apply:

- Leave all range fields blank to see all records.
- Complete only the **From** range field to see all records from the specified record to the end. You do not have to enter a series of 9s in the **To** range fields to indicate processing to the end. If you enter 9s in these fields, the system will automatically clear the fields to default the processing to the end.
- Complete only the **To** range field to see all records from the beginning of the file to the specified field.
- Complete the **From** and the **To** range field to see all records from the record you type in for the **From** range to the record you type in for the **To** range.

This display appears if you use **F17** on the Order History Report–Select Orders (Select) display.

Date **/**/**	Order History Subset Selection	Select	AMIH21 **
	From	To	Sort Sequence
Order Number	aaaaA7	aaaaA7	
Finished Item	aaaaaaaaaaaaA15	aaaaaaaaaaaaA15	nn
Warehouse	aA3	aA3	nn
Customer Job	aaaaaaaaA12	aaaaaaaaA12	nn
Reference	aaaaaaaaA10	aaaaaaaaA10	nn
Due Date	nnnnnn	nnnnnn	nn
Planner	nnnnn	nnnnn	nn
Item Class	aaA4	aaA4	nn
Item Accounting Class	aA3	aA3	nn
Order Accounting Class	aA3	aA3	nn
Production Line	aaaA5	aaaA5	nn
Closeout Date	nnnnnn	nnnnnn	nn
F18 Refresh	F19 Return	F24 End	

What to do

To select limits for the report, type in the requested information and press **Enter**. The Order History Report–Select Orders (Select) display (AMIH22) appears.

Function keys

F18 Refresh causes this display to appear again with anything you typed on it cleared.

F19 Return causes the Order History Report–Select Orders display (AMIH22), View 1, to appear again. The system ignores any selections you made.

[Contents](#)[Index](#)[Exit](#)

F24 End ignores any data you typed on this display and causes the Manufacturing Order History menu (AMIMA0) to appear again. The system submits no report requests.

Fields

Order Number. Type in a range of order numbers for orders to include in the report. A first character of S indicates schedules. A first character of M indicates manufacturing orders.

Finished Item. Type in a range of finished items for orders to include in the report.

Warehouse. Type in a range of warehouses for orders to include in the report.

Customer Job (Customer job number). Type in a range of customer job or order numbers for orders to include in the report.

If COM is installed and interfacing with IM, a customer order number includes the company number and order type of the associated customer order.

Reference. Type in a range of references for orders to include in the report.

Due Date. Type in a range of due dates for orders to include in the report.

Planner. Type in a range of planner numbers for orders to include in the report.

Item Class. Type in a range of item classes for orders to include in the report.

Item Accounting Class. Type in a range of item accounting classes for orders to include in the report.

Order Accounting Class. Type in a range of order accounting classes for orders to include in the report.

Production Line. Type in a range of production lines for orders to include in the report.

Closeout Date. Type in a range of closeout dates for orders to include in the report.

Sort Seq (Sort sequence). Type in the sequence in which you want the orders or schedules to print. Enter numeric values to indicate the relative sort order. For example, if you want to sort the orders or schedules by customer job, then reference, then order, type in 1 next to customer job, and 2 next to reference.

If you do not type in a sort sequence, the report sequences by order number. The system sorts the orders or schedules by order number as the last sequence.

Contents	Index	Exit
--------------------------	-----------------------	----------------------

Option 3. Archive Processing (AMIMA0)

Use this option to select records to archive, delete, archive and delete, inquire, print, erase, or recover a group of orders. If MRP is installed and interfacing, source of demand records are included in all archive processing options.

What information you need: None.

What reports are printed:

- Order History Archive Content (AMIH4A)
- Order History Orders Archived/Deleted/Erased (AMIH45)
- Order History Orders Restored/Recovered (AMIH48)

What forms you need: None.

The basic steps for archive processing follow each display.

[Contents](#)[Index](#)[Exit](#)

AMIH41—Order History Archive Processing (Select)

Use this display to archive, delete, archive and delete, inquire, print, erase, or recover a group of orders.

For all fields that require a range, the following apply:

- Complete only the **To** range field to process all records from the beginning of the file to the specified date.
- Complete the **From** and the **To** range field to process all records from the record you type in for the **From** range to the record you type in for the **To** range.

This display appears if you select option 3 from the Manufacturing Order History menu (AMIMAO).

```

Date **/**/**                               Order History       Select       AMIH41   **
                                           Archive Processing
                                           Position to
                                           Archive Number nnnnnnn

Type options; then press Enter.
1=Archive  2=Delete  3=Archive & Delete  4=Restore  5=Inquire  6=Print
7=Erase    8=Recover

Option  Closeout Date      Archive
        From      To      Number  Date    Time    Status  Label
n      nnnnnnnn  nnnnnnnn
n      **/**/**  **/**/**  ***** **/**/**  **.**.**.  *****  *****
n      **/**/**  **/**/**  ***** **/**/**  **.**.**.  *****  *****
n      **/**/**  **/**/**  ***** **/**/**  **.**.**.  *****  *****
n      **/**/**  **/**/**  ***** **/**/**  **.**.**.  *****  *****
n      **/**/**  **/**/**  ***** **/**/**  **.**.**.  *****  *****
n      **/**/**  **/**/**  ***** **/**/**  **.**.**.  *****  *****
n      **/**/**  **/**/**  ***** **/**/**  **.**.**.  *****  *****

F13 Repeat      F18 Refresh      F24 End
  
```

What to do

- To search for a particular value, type a full or partial value in the **Position-to** field. This display appears again with that value (or the next higher value) you selected at the top of the list. If the system does not find an equal or higher value, a message appears.
- To initiate the appropriate process, type an option and press **Enter**. Refer to the field descriptions for a detailed explanation of this field.

Function keys

F13 Repeat repeats the selected option to the end of the list for the current item on the current display. Enter an option beside the first record you want to select. Position the cursor on that option field again before you press **F13**.

F18 Refresh causes this display to appear again with anything you typed on it cleared.

[Contents](#)[Index](#)[Exit](#)

F24 End ignores any data you typed on this display and causes the Manufacturing Order History menu (AMIMA0) to appear again. The system submits no report requests.

Fields

Position to Archive Number. Type in the archive number that you want to appear at the top of the list.

Option. The option number you want to select. The option numbers are as follows:

- 1** Archive a group of orders. Type in a date range for a new group of orders you want to archive. If the status of an existing archive is ONLINE, you can archive it again by entering the option number. The same archive number is used. The Order History Archived/Deleted/Erased Report (AMIH45) prints. When processing completes, the status of the archive is ONLINE, and the archive number appears on the display.
- 2** Delete an archive. Only archives with a status of ONLINE can be deleted. You cannot delete orders by date range. The system deletes the group of orders from the system but leaves a summary of the orders in the Archive Reference file. This allows you to see or print the summary information of the archived orders and schedules without restoring the tape. (See options 5 and 6.) The Archived/Deleted/Erased Report (AMIH45) prints all deleted orders. When processing completes, the status of the archive is OFFLINE.
- 3** Archive and delete a group of orders. Use this option against an existing archive with the status of ONLINE, or type in a date range to archive a new group of orders. The system saves the group of orders on tape and deletes them from the system. A summary is added to the Archive Reference file allowing you to see or print the summary information of the archived orders and schedules without restoring the tape. (See options 5 and 6.) The Order History Archived/Deleted/Erased Report (AMIH45) prints all archived and deleted orders. When processing completes, the status of the archive is OFFLINE and the archive number appears on the display.
- 4** Restore an archive. Only archives with a status of OFFLINE can be restored. The system restores the history from tape into current history files. The Archive Restored/Recovered Report (AMIH48) prints all restored orders. When processing is complete, the status of the archive is ONLINE, and the same archive number appears on the display.
- 5** Inquire into archives. Entering option 5 on the first line along with a range of closeout dates shows order summary information for any orders still on the system. This could be archived orders with a status of ONLINE or orders that have not yet been archived. Entering option 5 beside any displayed archive file will show order summary information only for orders within that archive. This can be done for archives with a status of ONLINE or OFFLINE. You cannot see order information for archives with a status of ERASED. The Order History Archive Inquiry display (AMIH42) appears.
- 6** Print the Archive Content Report. You can print order summary information for archives with a status of ONLINE or OFFLINE. This option is not valid for archives with a status of ERASED, because order summaries have been erased along with the actual orders. The Order History Archive Content Report (AMIH4A) prints all orders on the archive.
- 7** Erase an archive. You can erase archives with a status of ONLINE or OFFLINE. The system erases the group of orders plus the order summaries in the Archive Reference file from the system. See option 8 to recover an

erased archive. The Order History Archived/Deleted/Erased Report (AMIH45) prints all erased orders. When processing is complete, the status of the archive is ERASED.

- 8** Recover a previously erased group of orders. Only archives with a status of ERASED can be restored. The system restores from tape the group of archived orders plus the order summary information in the Archive Reference file. The Order History Restored/Recovered Report (AMIH48) prints all the recovered orders. When processing is complete, the status of the archive is ONLINE.

Closeout Date. Type in a range of history dates for orders to archive, inquire, or print. If you select a range for this field, you can only select the following options:

- Archive (option 1)
- Archive and delete (option 3)
- Inquire (option 5)
- Print (option 6).

Archive Number. A system-assigned number of the archive.

Date. The date of the archive.

Time. The time of the archive.

Status. One of the following:

ONLINE	Archive is currently in the online history files as well as residing on tape. To change the status to OFFLINE, you must delete (option 2) or archive and delete (option 3) the files. To change the status to ERASED, you must erase (option 7) the files.
OFFLINE	Archive currently resides on tape. To change the status to ONLINE, you must restore (option 4) the files. To change the status to ERASED, you must erase (option 7) the files.
ERASED	Archive currently resides on tape. You cannot inquire (option 5) or print (option 6). To change the status to ONLINE, you must recover (option 8) the files.

The following table summarizes the main characteristics of the three different archive statuses.

Archive characteristic	Archive status		
	Online	Offline	Erased
Archive has been saved to tape	Yes	Yes	Yes
Detailed orders are on system	Yes	No	No
Order summaries are in Archive Reference file	Yes	Yes	No

A line on the display indicates the archive is currently residing on tape.

Label. The label of the tape that contains the archive.

AMIH42—Order History Archive Inquiry (Inquiry)

Use this display to see which orders are in the selected archive.

This display appears if you select option 5 from the Order History Archive Processing (Select) display (AMIH41).

```

Date **/**/**                Order History      Inquiry      AMIH42  **
                              Archive Inquiry
Archive Number      *****      Position to
Closeout Date from **/**/** to **/**/**      Order aaaaaA7
Archive Date        **/**/**
Label               *****
Status             *****
View 1 of 3      More +-->

Order      Item      WH      Due      Closeout
*****  *****  ***  **/**/**  **/**/**  *****  *****
*****  *****  ***  **/**/**  **/**/**  *****  *****
*****  *****  ***  **/**/**  **/**/**  *****  *****
*****  *****  ***  **/**/**  **/**/**  *****  *****
*****  *****  ***  **/**/**  **/**/**  *****  *****
*****  *****  ***  **/**/**  **/**/**  *****  *****
*****  *****  ***  **/**/**  **/**/**  *****  *****
*****  *****  ***  **/**/**  **/**/**  *****  *****

F11 Right      F19 Return      F24 End
    
```

What to do

To search for a particular value, type a full or partial value in the **Position-to** field. This display appears again with that value (or the next higher value) you selected at the top of the list. If the system does not find an equal or higher value, a message appears.

Function keys

F10 Left causes the display to window to the left to show additional fields for the orders.

F11 Right causes the display to window to the right to show additional fields for the orders.

When you use **F10** and **F11**, the following fields can appear for each order record.

- Order Number
- Item Number
- Warehouse
- Due Date
- Closeout Date
- Reference
- Customer Job
- Item Description
- Planner

[Contents](#)[Index](#)[Exit](#)

Production Line
S-Number
Item Class
Item Accounting Class
Order Accounting Class
Unit Cost.

F19 Return causes the Order History Archive Processing (Select) display (AMIH41) to appear again.

F24 End ignores any data you typed on this display. The Manufacturing Order History menu (AMIMAO) appears again.

Fields

Archive Number. A system-assigned number of the archive. This field appears only when you inquire into an archive. If you inquire by closeout date range, the field does not appear.

Closeout Date. The range of closeout dates for orders within this archive or inquiry.

Position to Order. Type in the number of the order you want to see at the top of the list.

Archive Date. The date the archive took place. This field appears only when you inquire into an archive. If you inquire by closeout date range, the field does not appear.

Archive Time. The time the archive took place. This field appears only when you inquire into an archive. If you inquire by closeout date range, the field does not appear.

Label. The label of the tape containing the archive. This field appears only when you inquire into an archive. If you inquire by closeout date range, the field does not appear.

Status. The current status of the archive. ONLINE indicates the archive is currently in the online history files. OFFLINE indicates the archive is currently residing on tape, and the order summaries are in the Archive Reference file.

Order. A control number in the order history data base that identifies an order. A first character of S indicates schedules. A first character of M indicates manufacturing orders.

Item. A control number that identifies the finished item.

WH (Warehouse). The warehouse in which you stored the finished item.

Due Date. The date the order was due.

Closeout Date. The date you purged the order or schedule from the open order data base.

Reference. An identifying number used to associate this order with one or more orders.

[Contents](#)[Index](#)[Exit](#)

Cust Job (Customer Job). The customer job or order number that references this order.

If COM is installed and interfacing with IM, a customer order number includes the company number and order type of the associated customer order.

The remaining fields appear when you use **F11**.

Description. The brief description of the finished item.

Planner. A code that identifies who is responsible to plan the replenishment strategy for a finished item.

Production Line. For an order initiated in the Repetitive Production Management application, the production line on which you processed the schedule.

S-Number. The select number that represents the features and options used to create the end item.

Item Class. A user-defined code that identifies the class or group to which this item belongs. For example, ST might indicate that you classified this item with that group of items made of steel.

Itm Actg Class (Item accounting class). A user-defined control number used to classify items for accounting purposes.

Ord Actg Class (Order accounting class). A user-defined control number used to classify orders for accounting purposes.

Unit Cost. The unit cost of the finished item used by inventory accounting at the time you released the order.

Contents	Index	Exit
--------------------------	-----------------------	----------------------

Chapter 13. General Ledger Interface

The General Ledger Interface captures business activity data from the IM application and converts the data into ledger entries. When you select option 11 on the IM Main Menu (AMIM00), the General Ledger Interface menu (AMIMB0) appears. Use this menu to manage account assignments, edit and assign accounts, and create ledger entries.

Option 1. Account Assignment Rule Management (AMIMB0)	13-22
Option 2. Transaction Account Assignment (AMIMB0)	13-24
Option 3. General Ledger Management (AMIMB0)	13-25
Option 1. Maintain Rules (AMIMB1)	13-27
Option 2. Maintain Rule Priorities (AMIMB1)	13-65
Option 3. Simulate Account Assignments (AMIMB1)	13-79
Option 4. Maintain Intercompany Accounts (AMIMB1)	13-84
Option 5. List Rules (AMIMB1)	13-95
Option 6. List Rule Priorities (AMIMB1)	13-98
Option 7. List Intercompany Accounts (AMIMB1)	13-101
Option 1. Assign Accounts (AMIMB2)	13-104
Option 2. Edit Assigned Accounts (AMIMB2)	13-111
Option 1. Create Ledger Entries (AMIMB3)	13-128
Option 2. Print Temporary General Ledger (AMIMB3)	13-141
Option 3. Print and Clear Temporary General Ledger (AMIMB3)	13-144
Option 4. Maintain Interface Control File (AMIMB3)	13-147
Option 5. Maintain General Ledger Master (AMIMB3)	13-155
Option 6. List Chart of Accounts (AMIMB3)	13-162

Where to start

If you are using this interface for the first time, start out slowly. Here are some suggestions:

1. Review the section about the transaction types defined for each application. Read the rest of this section to see how the charge, offset, and variance (IM only) accounting works.
2. Start with COM first even if you have all four applications installed. The accounting issues in COM are simpler. Then implement the IM, PC&C, and REP interfaces as a group.
3. Be sure you completely understand the process you currently use to record application activity in your ledger. Focus on the following points:
 - What are the accounting practices you currently have for the business activity processed by COM, IM, PC&C, and REP?
 - How do you currently implement these policies?
 - What are the internal controls and reconciliations you currently do?
 - What accounting practice changes would you make if they were possible to make?
4. Reconcile the data in the MAPICS XA applications to the balances in the general ledger. Ideally, the difference should be zero. If it is not zero, find out what the difference is and the reason for it.

5. Select the General Ledger interface in COM, IM, PC&C, and REP using the CAS install/tailor menu option. Selecting the interface enables you to use the General Ledger interface menus. It does not mean the application saves transactions for its General Ledger interface. Keep your existing ledger interface process in place for now.
6. Set up your rules and rule priorities to implement your current accounting practices. Use the Simulate Account Assignment menu option to test your work. From an accounting perspective, do not try to implement new accounting practices now.
7. Decide which transaction types you want to process via the ledger interface. Use the Maintain Interface Control File menu option on the General Ledger Management menu to activate the transactions for the General Ledger interface. The transactions remain activated until you deactivate them. It is best to do this at the start of an accounting period.
8. Use the menu options to assign accounts and create ledger entries. Reconcile the results to your current interface. If all is well, activate the General Ledger interface in GL using the CAS install/tailor menu option. Otherwise, determine what went wrong, and try again in the next period.

If you do not use the MAPICS XA General Ledger application, you can use these menus to capture data to send to your own programs. Just select the interface but do not activate it in order to use your own general ledger programs. You can create a General Ledger Master (GELMAS) file and work with the Temporary General Ledger (TEMGEN) records that the General Ledger interface creates.

9. Change the rules and rule priorities to make improvements to your current accounting practices. From an accounting perspective, if you are near the end of your fiscal year, first go through year-end processing with your current ledger interfaces before switching to this General Ledger interface. Start using the MAPICS XA ledger interfaces at the start of the new year.

If IFM is installed and you answered Yes to the GL interface question during application tailoring, or if you have activated the the interface through CPS, account numbers are replace by units and natures. All reference to account numbers in this section apply to unit and nature combinations.

IM transaction types for General Ledger interface

The General Ledger interface in IM handles the accounting for all inventory movements that affect inventory balances. Inventory transactions can originate in IM, MMS, REP, PM&C, MPA, PC&C, and COM. When these applications create inventory transactions, the data flows to the Inventory Management History (IMHIST) file. At this point, the General Ledger interface saves the transaction so that you can assign accounts to it.

The following table shows the transaction types that the General Ledger interface in IM processes.

Type	Description	Charge	Offset	Variance
Issue transaction types				
IP	Planned manufacture issue	Inventory	Work in process	None
IS	Miscellaneous issue	Inventory	Depends on issue	None
IU	Unplanned component issue	Inventory	Work in process	None
IW	Interwarehouse issue	Inventory	Inventory in transit	None

Type	Description	Charge	Offset	Variance
IX	Uncontrolled floor stock	Work in process	Inventory in transit	None
SA	Sales shipment	Inventory	Cost of sales	None
SC	Manufacturing component scrap	Work in process	Scrap expense	None
SM	Manufacturing order scrap	Work in process	Scrap expense	None
SP	Purchase order scrap	Inventory cost clearing	Scrap expense	None
SS	Scrap from stock	Inventory	Scrap expense	None
VR	Purchase return to vendor	Inventory	Debit memos in process	Purchase price variance or inventory cost clearing
Adjustment transaction types				
CR	Average cost replacement	Inventory	Always zero	Cost variance
CS	Standard cost replacement	Inventory	Always zero	Cost variance
CU	Standard unit cost default replacement	Inventory	Always zero	Cost variance
IA	Inventory adjustment	Inventory	Always zero	Quantity variance
PH	Physical inventory update	Inventory	Always zero	Quantity variance
Receipt transaction types				
CA	Cost adjustment	Inventory cost clearing	Accounts payable clearing	Purchase price variance
RC	Miscellaneous receipt	Inventory	Depends on receipt	None
RM MQ	Production receipt	Inventory	Work in process	Manufacturing cost variance
RP PQ	Purchase order Receipt to stock	Inventory	Inventory cost clearing	Purchase price variance or inventory cost clearing
RS	Component return to stock	Inventory	Work in process	Manufacturing cost variance
RW	Interwarehouse receipt	Inventory	Interwarehouse in transit	Cost variance

When the General Ledger interface saves transactions, it calculates the transaction's charge, offset, and variance amounts and assigns corresponding accounts.

The charge amount and account represent the transaction's impact on the inventory balance with two exceptions: manufacturing component scrap (SC) and manufacturing scrap (SM). For them, the charge amount and account represents the net change to work in process.

The offset amount and account always represents the other side of the flow in or out of inventory.

The variance amount and account represents the difference between the charge and offset amounts, and does not represent any physical flow. Issue transactions can never have a variance because their cost is always the item's latest standard, average, or last cost. Variances can arise for adjustment and receipt transactions in the following ways:

- When inventory balances are adjusted by CR, CS, CU, IA, or PH transactions, the change to inventory does not involve any movement of material. The variance amount, for all costing methods, is the amount of the change in inventory (charge amount) multiplied by -1. For example, an IA transaction that increases the

inventory balance by 1,000 has charge of 1,000, offset of zero, and variance of 1,000-.

- If you use standard costing, any receipt where the transaction amount is not equal to the quantity multiplied by the standard unit cost results in a variance amount. For example, suppose for a manufacturing receipt (RM) of 1,000 units you enter a transaction amount of 1,050. If the standard for the item is 1.00, then you have a variance of 50 (charge of 1,000 minus offset of 1,050- times -1).
- For average costing, you might have variances on receipt transactions when rounding differences create discrepancies between the change in inventory and the transaction amount. Counting these differences as "variances" eliminates artificial differences between item balance and ledger amounts. Normally, variance amounts will be very small.
- For last costing, variances occur on any receipt that results in a new last cost. The variance impact of the transaction on inventory value. Suppose we received 2 units of an item at a unit cost of 20 but the last unit cost was 10 for 10 units. The variance is -100:

$$(charge + offset) \times (-1), \text{ or}$$

$$[(12 \times 20) - (10 \times 10) + -(2 \times 20)] \times [(-1)]$$

You might find it easier to first define rules for one transaction type and copy them to other transaction types. Keep offset and variance rules separate from charge rules. Rules for offset and variance accounts tend to vary by transaction type. The variation depends on how much detail you choose to keep in your general ledger. For example, if you choose to account for miscellaneous issue (IS) transactions by department, then you will have to add a new rule each time you add a department.

Costing methods

IM maintains standard, average, and last costs for items. When you tailor IM, you specify which of one of these costs are used for accounting.

The following table shows how these cost methods work. Suppose 100 units of an item are on hand at a unit cost of 1.00, and a new shipment is received of 100 units at a unit cost of 2.00.

Table 13-1. Costing method view of costs

	Standard			Average			Last		
	Qty	U/C	Extended	Qty	U/C	Extended	Qty	U/C	Extended
On hand	100	1.00	100.00	100	1.00	100.00	100	1.00	100.00
Received	100	2.00	200.00	100	2.00	200.00	100	2.00	200.00
Effect	200	1.00	200.00	200	1.50	300.00	200	2.00	400.00

The final quantity is unchanged. The unit cost and extended amounts differ per costing method.

The following table shows the charge, variance, and offset amounts that the General Ledger interface records by costing method:

Table 13-2. (Page 1 of 2) Accounting view of standard, average, and last costs

	Standard	Average	Last
Charge amount	100.00	200.00	300.00

Table 13-2. (Page 2 of 2) Accounting view of standard, average, and last costs

	Standard	Average	Last
Variance	100.00	0	100.00-
Offset	200.00-	200.00-	200.00

Accounting classes

At times, you need information from people who are not accountants so that you can classify business events. The accounting class fields let you get this information without requiring your non-accounting users to use account codes:

Table 13-3. Accounting class fields

Field	COM	IM	PC&C	REP
Item Accounting Class	x	x	x	x
Order Accounting Class		x	x	
Schedule Accounting Class				x
Production Facility Accounting Class			x	x

Usually, the users who maintain item, order, schedule, and production facility data are not accountants. You need to work out a process for setting up and maintaining these fields with the users who normally maintain these files.

Item accounting class

Item accounting class can be entered in either the Item Master or the Item Balance file. If an item has an item accounting class in both files, MAPICS XA uses the one in the Item Balance file.

Suppose you have item number 1000. In the Item Master record, it has item accounting class XXX. In the Item Balance record for warehouse 001, it has item accounting class ZZZ. If you process a transaction for item 1000 and warehouse 001, MAPICS XA uses item accounting class ZZZ. If you process a transaction for item 1000 and any other warehouse, MAPICS XA uses item accounting class XXX.

Order accounting class and schedule accounting class

Order accounting class can be entered for each manufacturing order during manufacturing order entry. It is stored in the Manufacturing Order Master file. For example, you use this accounting class to have separate accounts for commercial and governmental work in process.

Production facility accounting class

Production facility accounting class is maintained in the Production Facility file. Production planners define production facilities in ways that make sense from a production planning viewpoint. These definitions do not always match accounting needs. For example, you can use production facility accounting class to treat two or more production facilities as if they were one entity for accounting purposes.

When MAPICS XA processes transactions that refer to an operation number, it uses the Open Operations Detail file to identify the production facility. MAPICS XA then

gets the production facility accounting class and makes it part of the General Ledger interface data.

Rules, rule priorities, and simulation

In a manual system, you could work with documents and can use all the data in the document to make account assignment decisions. The General Ledger interface lets you assign accounts based on a subset of the fields that make-up each transaction. This table shows the fields that each application uses when assigning accounts.

COM	IM	PC&C and REP
Transaction type	Transaction type	Transaction type
Company number	Item number	Order number,
Customer number	Item class	schedule number
Customer class code	Item type	Order accounting class
Sales code	Item accounting class	schedule accounting
Salesrep number	Order number	class
Territory number	Order accounting class	Job number
Item number	Reason code	Finished item number
Item class	Warehouse	Finished item warehouse
Item accounting class		Item class
Warehouse		Item type
Special charge reference		Item accounting class
Tax code		Production facility ID
		Production facility
		accounting class

When you set up account assignment rules and rule priorities, you can base them on the transaction type and any combination of fields provided for each interface, as shown in the table. You can have multiple rules for one transaction and define the priority for using these rules in account assignments. All ledger entries have two sides. You can define the account assignment rules separately for each side of the ledger entry.

The General Ledger interface lets you test your rules and rule priorities. Use the Simulate Account Assignments menu option to enter data for a "would-be" transaction. When you press **Enter**, the application displays the accounts that would be assigned and the rules used to assign those accounts. Function keys let you move from the simulation display to the displays used to maintain rules and rule priorities.

Account types: charge, offset, and variance

COM, IM, PC&C, and REP are single entry systems that indicate the flow of events by the sign of the transaction. Quantity and amount are two examples. When a planned requisition (IP) transaction quantity and amount are positive, it means that the item was taken from inventory and made part of a manufacturing order. When the quantity and amount are negative, it means that a previously entered IP transaction did not actually take place and its effect on the MAPICS XA data needs to be reversed.

The GL application is a double entry system. When the General Ledger interface assigns accounts, it creates debit and credit entries that reflect the impact of the originating application's transactions on account balances. The rules and rule priorities determine which accounts are debited and credited. The sign of the underlying transaction determines whether the impact on an account is a debit or credit.

If you set up a rule for IP transactions that said “debit work in process and credit inventory,” the rule would only work when the transaction quantity and amount were positive. Following such a rule would produce the wrong results when quantity and amount were negative. The way the General Ledger interface avoids this problem is by using the account assignment rules you define in terms of charge, offset, and variance accounts for each application:

Table 13-4. Charge, offset, and variance for the applications

Appl	Charge	Offset	Variance
IM	Inventory	Work in process Expense Clearing accounts	Purchase price Cost adjustment Quantity
COM	Accounts Receivable Cost of Sales	Revenue Sales tax Inventory	Not applicable
PC&C	Work In Process	Overhead Applied Inventory Variances	Not applicable
REP	Work In Process	Clearing Accounts Variances	Not applicable

Note: Only IM has all account types: charge, offset, and variance. COM, PC&C, and REP use only charge and offset accounts.

In the IM to GL interface, the charge account normally refers to the inventory account and the offset account always refers to the other side of the transaction. For example, in the IP transaction in Inventory Management, the charge account is inventory and the offset account is work in process. The IM to GL interface knows that an IP transaction normally decreases inventory and increases work in process. Therefore, it interprets the sign of the amount as follows:

Table 13-5. How the interface interprets signed data into debits and credits

IP transaction amount	Debit account	Credit account
Positive	Work in process	Inventory
Negative	Inventory	Work in process

How rules and rule priorities are used to assign accounts

In order to create account assignment rules, you need to know which accounts to use. Suppose your chart of accounts includes these accounts:

Table 13-6. Sample: chart of accounts

Account	Description	Account	Description
1320	Work in process	2010	Undistributed outside operations
1325	Government contracts	5015	Machine cost
1330	Government contracts - special jobs	5025	Overhead applied

Suppose the following list represents your accounting practices for labor transactions.

1. All labor transactions go to company 01.
2. Manufacturing costs are normally charged to account 1320.
3. Any order with an order accounting class of 007 is charged to account 1325, with one exception.
4. Exception: an order with order accounting class 007 and job number J9999 is charged to account 1330.
5. Offset entry for machine costs is account 5015; Offset entry for overhead costs is account 5025.
6. Run labor and setup labor costs are offset to account 2010.

When you create an account assignment rule, you enter the information in the rule fields that must match the actual data for the saved transaction.

The numbers for the accounting practices shown in the following table refer to the previous numbered list:

Table 13-7. Sample: account assignment rules using sample transactions

Rule	Tran. type	Order no.	Order acctg class	Job no.	Charge		Offset		Comments
					Co	Acct	Co	Acct	
R1	LMAC						01	5015	Accounting practice 1, 5
R2	LOHD						01	5025	Accounting practice 1, 5
R3	LRSA						01	2010	Accounting practice 1, 6
R4	LSSA						01	2010	Accounting practice 1, 6
R5	L***				01	1320			Accounting practice 1, 2
R6	L***		007		01	1325			Accounting practice 1, 3
R7	L***		007	J9999	01	1330			Accounting practice 1, 4

The rule priorities for these rules would be:

Table 13-8. Sample: rule priorities for assigning sample transactions

Priority	Trans. type	Seq. no.	Order acctg class	Job no.	Comments
P1	LMAC	100			Match on transaction type only
P2	LOHD	100			Match on transaction type only
P3	LRSA	100			Match on transaction type only
P4	LSSA	100			Match on transaction type only
P5	L***	100	1	1	Rule for class and job number must be applied first. Otherwise, sequence number 200 would cause a match on class only.
P6	L***	200	1		Match on order accounting class
P7	L***	300			Match on transaction type only.

"L***" identifies a generalized transaction type. For example, a PC&C rule containing a generalized transaction type of L*** applies to any valid General Ledger interface transaction in PC&C that starts with L.

When the General Ledger interface assigns accounts, it uses both the rules and the rule priorities. Rule priorities are applied against the rules in the following order:

1. The rule priority with a specific transaction type, such as LMAC, is applied before any rule priority with a generalized transaction type, such as L***.
2. Within a transaction type, the rule priority with the lower sequence number, such as 100, is applied before a rule priority with a higher sequence number, such as 200.
3. The General Ledger interface keeps looking until it assigns both charge and offset accounts. For IM, it assigns at least two of the following: charge, offset, and variance.

Because the first rule that matches the transaction is the one used for that transaction, be sure to prioritize your rules from most specific to most general.

To assign account 1320 to a transaction for a government contract with order accounting class of 007 and job number J9999, you want General Ledger interface to look for those values before using a rule for order accounting class of 007 and any job number. In the preceding table, priority P5 establishes that rule R7, a match on order accounting number 007 and job number J9999 will be found before a match using rules 5 or 6.

These rule priorities are stored in the application's Account Assignment Sequence file.

The following shows how the General Ledger interface assigns accounts to actual transactions, using your rules and rule priorities:

Table 13-9. Sample: results of account assignments using rules and rule priorities for sample transactions

Trans type	Order no.	Order acctg class	Job no.	Charge		Offset		Comments
				Co	Acct	Co	Acct	
LMAC	M000010	007	J0001	01	1325	01	5015	Applied rule priorities P1, P6. Met rules R1, R6.
LOHD	M000020	007	J0001	01	1325	01	5025	Applied rule priorities P2, P6. Met rules R2, R6.
LRSA	M000030	007		01	1325	01	2010	Applied rule priorities P3, P6. Met rules R3, R6.
LSSA	M000040			01	1320	01	2010	Applied rule priorities P4, P7. Met rules R4, R5.
LOHD	M000050	007	J9999	01	1330	01	5025	Applied rule priorities P2, P5. Met rules R2, R7.
LMAC	M000060		J9999	01	1320	01	5015	Applied rule priorities P1, P7. Met rules R1, R5.

When the General Ledger interface assigns accounts, it assigns the charge and offset accounts independently. Therefore, it can have one transaction with charge and offset accounts assigned to different company numbers:

- The account assignment rules or rule priorities have been set up incorrectly. Correct the rules and rule priorities. Then you can correct the assigned accounts by running the account assignment again or by editing the assigned accounts.
- The account assignment rules and rule priorities are correct. See "Intercompany accounting".

Setting up your rules

Everything depends on how you set up and prioritize account assignment rules.

Each application has an account assignment file that contains the rules for assigning accounts to the transactions saved by the application. The rules are defined by transaction type alone in IM, PC&C, and REP, and by company and transaction type in COM. The rules can use any combination of the fields shown in the previous table showing charge, offset, and variance for the applications.

When you define a rule for assigning accounts, you must also define its priority. If you do not, MAPICS XA gives you a warning. Rules without rule priorities are ignored.

Setting up your rule priorities

Account assignment rules can overlap. It is possible for one transaction to match the conditions specified in two or more rules. When this happens, the General Ledger interface “breaks the tie” by using rule priority sequence numbers to determine the order in which the rules are applied when assigning accounts. The rule priority with the lowest sequence number is used first in assigning accounts. The application’s Account Assignment Sequence file contains the information about how you want to prioritize your rules.

Understanding your accounting practices is essential to setting up rule priorities so that you get the right results. In many cases the same rule priorities can apply to many different transaction types. If so, set up rule priorities for one transaction type, verify that you get the right results, and then use it as a model to set up rule priorities for other transaction types.

Shortcuts to setting up rules and rule priorities

Several features of the Maintain Rules menu option and the Maintain Rule Priorities menu option can make these tasks easier:

- Generalized transactions. Lets you define one set of rules that apply to two or more transaction types.
- Copy. Lets you copy between transaction types, and add a record by copying an existing record and changing it.

You can also switch quickly between the displays used to define rules, define rule priorities, and simulate the results.

Generalized transactions

You can define accounting rules for each transaction type. However, if you want to use the same rules for multiple transaction types, you can use generalized transactions to shorten the task.

Note: IM and REP do not support generalized transaction types. Rules for assigning accounts to IM and REP transactions are too transaction-specific to make “generalized transactions” useful.

You can use “generalized transaction” types to define accounting rules and rule priorities for blocks of related transactions. For example, COM has a generalized transaction type called “R***” which you can use for all revenue transaction types.

Here are ways to use generalized transaction types:

- For rules that are truly the same for transactions, set up the wild card transaction type and do not bother setting up one for any individual transaction type.
- For isolated exceptions for specific transaction types, set up a rule for each type that is an exception. Then set up the generalized transaction type. The General Ledger interface applies the specific rules first, and then uses the generalized transaction rules. Remember to set up both the application’s Account Assignment (rules) and Account Assignment Sequence (rule priorities) files in the same way.
- For transaction types where the differences are substantial, consider using the generalized transaction type as a skeleton for setting up the specific transaction

types. Use the copying feature, described next, to copy the generalized transaction type into the specific transaction type. Then change what you need to change.

Copy

The General Ledger interface lets you copy rules without worrying about the credit and debit signs. The charge, offset, and variance account conventions are set up so that it is possible to copy rules for opposite transactions and still have the right debit or credit signs assigned to the ledger entries that result. By handling transaction amounts this way, the General Ledger interface lets you copy rules for “opposite” transaction types and still generate the right debit and credit ledger entries.

When you maintain rules or maintain rule priorities, you are asked to identify the records you want to process. If you select the Group Copy option, the General Ledger interface lets you copy from one transaction type to another. You can copy all the records for a given transaction type or a subset of those records. Once you do this, the ledger interfaces use the records that are on file to build new ones. Then, you can make additions, changes, and deletions as necessary. Group copy works best when you are setting up your rules and rule priorities for the first time.

Use “copy for add” to handle situations where you want to add the same rule to many transaction types. First, enter the full rule for the first transaction type. Then, copy it for other transaction types. When you change the transaction type and press **Enter**, you have a new rule.

Simulating account assignments

You can set up simple or complex accounting rules depending on your needs. Use the Simulate Account Assignments menu option to test the accounting rules you define. After you enter information about a hypothetical transaction, the General Ledger interface assigns accounts to it using the same logic that it would use with a “live” transaction. It displays these accounts and tells you which account assignment rules were used to assign the account. If accounts cannot be assigned to a transaction, the General Ledger interface issues a warning message.

You can make any adjustments that are necessary by changing either the rules or rule priorities. Here are questions you can ask yourself:

- Did you enter the simulated transaction data correctly?
- Have you set up the account assignment rules correctly?
- Have you assigned the right priority to the account assignment rules?

In many cases, the information displayed about the rules used to assign accounts contain valuable clues about what is causing the problem.

Converting transactions into ledger entries

When the application processes transactions, it saves the transactions for its General Ledger interface that you have identified for ledger processing. Use the Maintain Interface Control File menu option on the General Ledger Management menu to see the transaction types that apply to the application. Only those transaction types you select are sent to the ledger interface.

Normally, you activate all transaction types to be passed to the General Ledger interface. Exceptions are cases where the transaction is coming from a MAPICS XA or non-MAPICS XA application that has already made the ledger entries you need.

Assigning accounts to transactions

When COM, IM, PC&C, or REP does its processing, it saves the transactions that you have selected and stores them until you are ready to assign accounts. As it saves the transactions, it keeps track of the number of records that need to have accounts assigned.

When you select the Assign Accounts menu option, the General Ledger interface shows you the status of the records that have been saved for ledger entries: number assigned, number unassigned.

How does the Assign Accounts menu option work?

- You can select to assign accounts to records that have not previously had accounts assigned.
- You can select to assign accounts to all records, including those that had already been assigned accounts. This selection could be very useful to you if you discover that the account assignment rules are wrong.
- You can select to list the contents of the transaction file, based on selection criteria you selected, of the transactions in the transaction file that have not yet been converted into ledger entries.

Assigning accounts lets you control whether or not the General Ledger interface prints a listing that documents what happened during the session even if accounts are not assigned.

You can choose to assign accounts interactively or in batch mode. Your transaction volumes may determine which mode you want to use.

Editing assigned accounts

You can optionally use the Edit Assigned Accounts menu option to review and change the accounts assignments before you use the Create Ledger Entries menu option.

When you select the menu option, you see how many records for each transaction type that has had accounts assigned and how many of those records have invalid accounts or have charge, offset, and variance accounts in different companies.

How can accounts be invalid accounts when the General Ledger interface edits them against the General Ledger Master file (GELMAS) or the IFM tables for units, natures, and unit/nature combinations? The account could have been deleted from

GL or IFM after you defined the account assignment rule. In this case, you need to assign a valid account number before you can convert the transactions into ledger entries.

The General Ledger interface counts a transaction as a multiple company transaction whenever the charge, offset, and variance accounts do not have the same company number. You do not have to fix multiple company transactions if your accounting practices allow for them. The General Ledger interface will generate intercompany control account entries, based on the intercompany processing records you defined, to balance debits and credits by company when you create the ledger entries. If your practices do not allow for transactions that span companies, correct the problem and change your account assignment rules or rule priorities.

To help you locate the accounts you need to edit, use subsetting or processing options, such as invalid only or multiple company only, to narrow the list to a smaller subset.

Ways of editing assigned accounts

You can override the charge, offset, and variance accounts assigned by the system by typing in a valid company and account. You can split a transaction so that the amount goes to multiple charge, offset or variance accounts. When you split a transaction, the sum of the split amounts must equal the original transaction.

For example, suppose you have an IM transaction that looks like this:

Table 13-10. Sample: transaction before splitting

Charge			Offset			Variance		
Co	Account	Amount	Co	Account	Amount	Co	Account	Amount
01	4000	1000.00	01	5000	900.00-	01	6000	100.00-

Suppose you decide you need to split the charge amount equally between the present account and company-account, 02-4000. After the split, the IM transaction looks like this:

Table 13-11. Sample: transaction after splitting

Charge			Offset			Variance		
Co	Account	Amount	Co	Account	Amount	Co	Account	Amount
01	4000	500.00	01	5000	900.00-	01	6000	100.00-
02	4000	500.00						

The multiple company count is increased by 1 and the record status is changed to "S" for split and "M" for multiple company. You see this information on the Edit Assigned Accounts display.

Here are some guidelines for splitting transactions:

- You must enter the split data for the charge, offset, and variance accounts separately.
- It is possible to split a transaction so it goes to more than one company number. If you do this, the General Ledger interface includes the transaction in its multiple company record counts.
- It is possible to unsplit a transaction that you have split by removing the company/account amount for each split you made.

Creating ledger entries

You can see which transaction types have records, have had accounts assigned, and are waiting to be converted into ledger entries. When you are satisfied that the General Ledger interface has assigned the right accounts to your application transactions, you can convert them to ledger entries. Use the Create Ledger Entries menu option to create Temporary General Ledger (TEMGEN) file records or IFM ledger transactions and purge the GL interface transactions for which ledger entries are created.

The simple approach is to select **ALL** to convert them to ledger entries and write them to the TEMGEN file as a single ledger transmittal. Use this approach if the following is true:

- Timing differences between the originating applications and GL is not a concern.
- You want to summarize all transactions ledger entries in the same way.
- You use a net intercompany control account for both intercompany receivables and payables.

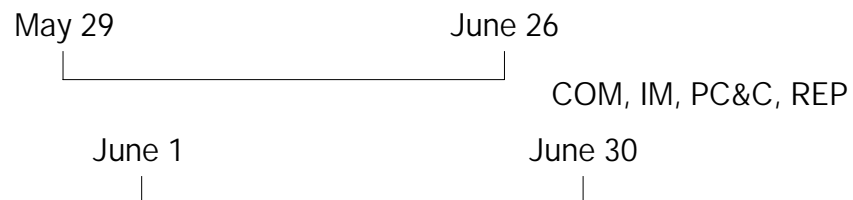
Otherwise, you need to use the selection criteria and subsetting functions to divide the saved transactions into separate ledger transmittals that meet your needs.

When IFM is interfacing, the only differences in this process are:

- Ledger entries are summarized by units and nature.
- Intercompany accounting is done differently and handled within IFM. Refer to the *IFM User's Guide* for more information.

Ledger entry dates and GL periods

The GL and IFM applications are designed to measure financial activity that occurs during a specified time period. The COM, IM, PC&C, and REP applications are designed to provide on-going support in specific areas. Periodic measurements in these applications can be done independently of the periodic measurements in General Ledger or IFM. Timing differences could arise. For example, suppose your ledger uses a 12-month calendar and you want to create ledger entries for June. You only want transactions dated between June 1 and June 30. If COM, IM, PC&C and REP cut off June processing on June 30, there is no problem. However, it is possible for COM, IM, PC&C and REP cut-off dates to be different from the GL cut-off:



In this example, GL or IFM works on the calendar month but IM, PC&C, and REP applications are cut off on the last Friday of the month. The monthly balances in the originating application (COM, IM, PC&C, REP) cover the period from May 29 to June 26. If you use the originating application's accounting period, the data passed to General Ledger or IFM covers the period from May 29 to June 26 and is inconsistent with the General Ledger or IFM accounting period.

The General Ledger interface lets you handle timing differences between the originating application and GL or IFM by using the subsetting function:

- If you subset General Ledger entries based on transaction date, the ledger entries passed to GL or IFM cover the same dates as the GL accounting period. But, the amounts in GL or IFM will not agree with the amounts in the originating application.
- If you subset General Ledger entries based on the originating application's period number, the amounts passed to GL or IFM agree with the amounts in the originating application. However, the time period covered by the ledger entries will not be consistent with the time period covered by the same GL period.

If you must have both reconcilable data and the right dates, do one of the following:

- Avoid these problems by cutting off GL or IFM, COM, IM, and PC&C at the same time.
- Or, select General Ledger entries based on the originating application's period number. Use the online journal function to accrue for the post-cutoff activity. Reverse this accrual at the start of the next month. Run an AS/400 Query against the application's General Ledger Interface Transaction file to find out how much has to be accrued. Select records with dates that fall within the accounting month that have not been converted into ledger entries.

You still need to be able to reconcile the amounts in General Ledger or IFM to the data in COM, IM, PC&C and REP. In order to record ledger entries in the right time period, the General Ledger interface needs to know:

- The ledger month or period for the ledger entries.
- The COM, IM, PC&C, and REP transactions that belong to the ledger month or period you specify.

Summarizing ledger entries

The General Ledger interface saves the transactions that COM, IM, PC&C and REP process, but does not summarize transactions before assigning accounts. For many, using the General Ledger interface to convert the transactions into ledger entries without summarizing, results in unnecessary GL ledger entries. For example, if you pass unsummarized COM transactions to GL as ledger entries, you will have two ledger entries for each line on your invoices.

You can summarize the transaction data that you send to GL. You can make this choice for each account type: charge, offset, and variance. Within each type of account, you have these options:

- No summarization
- Summarization by company, account, and transaction type
- Summarization by company and account

If International Financial Management (IFM) is installed and interfacing, you can summarize transactions by unit and nature. Refer to the IFM User's Guide for additional information.

You can also summarize some transactions and not others. Suppose you normally want to summarize IM transactions by company and account. However, you want unsummarized ledger entries for the RP and CA transactions so that you can analyze material received versus material invoiced. To do this, have a special ledger entry transmittal for the RP and CA transactions. In this transmittal, leave the charge

entries unsummarized while summarizing offset and variance entries. Then, run a second ledger entry transmittal where the charge, offset, and variance entries for the remaining transaction types are fully summarized.

After you send ledger entries to GL, MAPICS XA does not provide a way to summarize them. Therefore, the number of times you create ledger entries each month influences the degree of summarization you achieve. For example: if you create ledger entries every day, then only the transactions converted into ledger entries on that day are summarized. If you create ledger entries once a month, then all the transactions for that month are converted as a summarized, single set of ledger entries.

Intercompany accounting

When IFM is installed, IFM does intercompany accounting when it receives ledger entries file from IM. See the *IFM User's Guide* for more information. In MAPICS XA, debits and credits must balance by company number. You need to set up intercompany account records, using the Maintain Intercompany Accounts menu option. Then when you create ledger entries, you specify that multiple company transactions are to be processed. When the General Ledger interface creates ledger entries, it verifies that debits and credits are balanced by company. If they do not, it automatically generates intercompany control account entries to balance debits and credits.

The following example shows how the General Ledger interface creates intercompany control account entries. Suppose that after creating ledger entries, the General Ledger interface detects that total debits and credits are in balance, but there is an imbalance between companies. When this happens, the General Ledger interface uses the Intercompany Accounting file to generate intercompany control account entries to balance debits and credits by company:

Table 13-12. Sample: intercompany control account entries

	Company 01	Company 02	Company 03
Debits	3,000	2,000	1,000
Credits	2,000-	1,000-	3,000-
Net debits or credits	1,000	1,000	2,000-
Intercompany balancing entries	1,000-	1,000-	2,000
Net after intercompany balancing	0	0	0

The General Ledger interface lets you control how ledger entries are created for intercompany amounts by the way you set up information in the Intercompany Account file. Use the Maintain Intercompany Accounts menu option to set up information in this file.

- With the net intercompany account method, each company has a single intercompany control account with each related company that nets intercompany receivables and payables.
- With the separate intercompany account method, each company has separate intercompany receivable and payable accounts with each related company.

Suppose you have two companies, company 01 and company 02, and you have the following intercompany transfers:

Table 13-13. Sample: intercompany transfers

Company 01 transfers to Company 02	1,000
Company 02 transfers to Company 01	300

If you have net intercompany accounts, then a single intercompany control account entry suffices:

Table 13-14. Sample: net intercompany control account entry

Company	Account	Debit	Credit
01	Intercompany control	700	
02	Intercompany control		700

If you have separate intercompany receivable and liability accounts, then each company's intercompany sales have to be handled separately:

Table 13-15. Sample: separate intercompany control account entries

Company	Account	Debit	Credit
01	Intercompany receivables	1,000	
02	Intercompany liabilities		1,000
02	Intercompany receivables	300	
01	Intercompany liabilities		300

If you use the net intercompany control account method, set up intercompany accounts from company 01 to all the other related companies in the Intercompany Account file.

If you use the separate intercompany control account method, you must set up receivables and payables for each combination of companies in the Intercompany Account file. For example, suppose you have three companies. You would need six records in your Intercompany Account file:

Table 13-16. Sample: records in Intercompany Account file

From		To	
Company	Account	Company	Account
01	Receivable	02	Payable
01	Receivable	03	Payable
02	Receivable	01	Payable
02	Receivable	03	Payable
03	Receivable	01	Payable
03	Receivable	02	Payable

Next, create separate General Ledger entry transmittals for each company number that is selling to related companies. Suppose you use separate intercompany payable and receivable accounts, and warehouse 002 belongs to company 02. The company allows employees from company 01 to requisition items from this warehouse for manufacturing orders that belong to company 01. To get the right intercompany accounting results, do the following:

- Use 02 as the primary company number.
- Select the transaction types that represent issues, such as IP, IS, and so on.
- Use subsetting to limit the ledger entry transmittal to transactions from warehouse 002.

Splitting ledger entries

The General Ledger interface scans the transactions from the originating application to determine if they should be converted into ledger entries. The following must be true for the transactions to be eligible:

- The transaction type must meet the criteria you entered
- The charge, offset, and variance accounts must be valid accounts

If transactions do not meet these requirements, they remain in the General Ledger Transaction file (xxxTRN, where xxx identifies your application). The record count information tells you if this has happened. Suppose you use the General Ledger interface in IM to create ledger entries for all transactions other than the CA. Before and after record counts might look like this:

Table 13-17. Sample: valid and invalid ledger entries

	Before		After	
	Records	Invalid	Records	Invalid
CA transactions	1,000	5	1,000	5
All other transactions	100,000	100	100	100

All of the CA transactions remained in the file as well as all other transactions with invalid account assignments.

When the General Ledger interface creates ledger entries, it first splits each transaction into separate charge, offset, and variance records. Here is a condensed example to illustrate this point:

Table 13-18. Sample: split ledger entries

Item	Charge			Offset			Variance		
	Co	Acct	Amt	Co	Acct	Amt	Co	Acct	Amt
1000	01	040	500.00	01	004	450.00-	01	999	50.00-

Note: Only IM uses variance accounts.

This record would be converted into three TEMGEN records:

Table 13-19. Sample: split entries converted to TEMGEN records

Item	Company	Account	Amount	Debit or Credit
1000	01	040	500.00	Debit
1000	01	004	450.00	Credit
1000	01	999	50.00	Credit

If IFM is installed, IM creates an IFM transaction that consists of a transaction header and G/L lines that correspond to the TEMGEN records.

The General Ledger interface summarizes the split records according to the summarization rules you entered.

After the General Ledger interface has processed all the transactions, it completes the job:

- Balances debits and credits by company and creates intercompany accounting entries if needed.
- Purges the converted transactions from the General Ledger Transaction Interface file and updates record counts.
- Adds the summarized ledger entries to the TEMGEN file or to IFM's file.
- Prints an audit trail.

If you use a non-MAPICS XA general ledger, you need to have your own programs convert the TEMGEN records to your ledger's format. Use either the MAPICS XA TEMGEN print and clear menu option or your own routines to ensure that the TEMGEN records are not passed to your ledger for a second time.

The General Ledger Interface works with the MAPICS XA General Ledger application and non-MAPICS XA general ledgers. If MAPICS XA General Ledger is installed and interfacing and you specify transactions to be passed to General Ledger, your ledger reports will automatically reflect the ledger entries these interfaces create. If you have a non-MAPICS XA general ledger application, you must convert the ledger entries to your system's format.

```
AMIMBO                               Inventory Management          *****
                                     General Ledger Interface

Type option or command; press Enter.

  1. Account Assignment Rule Management >>
  2. Transaction Account Assignment >>
  3. General Ledger Management >>

==> _____

F3=Exit      F4=Prompt  F9=Retrieve  F10=Actions
F11=Job status F12=Return  F22=Messages
```

Option 1. Account Assignment Rule Management. Use this option to go to the Account Assignment Rule Management menu (AMCM91) to maintain and list rules, rule priorities, intercompany accounts, and simulate account assignment.

Option 2. Transaction Account Assignment. Use this option to go to the Transaction Account Assignment menu (AMCM92) to assign accounts or edit the charge and offset accounts already assigned.

Option 3. General Ledger Management. Use this option to go to the General Ledger Management menu (AMCM93) to create ledger entries, print a Temporary General Ledger Listing, print and clear the Temporary General Ledger file, change transaction descriptions, maintain the General Ledger file, and print a Chart of Accounts.

Note: If you do not use the MAPICS XA General Ledger application, you can use these menus to capture data to send to your own programs. Just select the interface but do not activate it in order to use your own general ledger programs. You can create a General Ledger Master (GELMAS) file and work with the Temporary General Ledger (TEMGEN) records that the General Ledger interface creates.

[Contents](#)[Index](#)[Exit](#)

Option 1. Account Assignment Rule Management (AMIMB0)

When you select option 1 on the IM General Ledger Interface menu (AMIMB0), the Account Assignment Rule Management menu (AMIMB1) appears. Use this menu option to define rules for assigning accounts, prioritize these rules, define the accounts for intercompany processing, and simulate how MAPICS XA will apply your rules to specific transactions. You can also get listings for the files used to assign accounts from this menu.

```

AMIMB1                               Inventory Management          *****
                                Account Assignment Rule Management

Type option or command; press Enter.

    1. Maintain Rules
    2. Maintain Rule Priorities
    3. Simulate Account Assignments
    4. Maintain Intercompany Accounts
    5. List Rules
    6. List Rule Priorities
    7. List Intercompany Accounts

==> _____

F3=Exit      F4=Prompt   F9=Retrieve  F10=Actions
F11=Job status F12=Return  F22=Messages

```

Option 1. Maintain Rules. Use this option to create, change, copy, delete, and show account assignment information to select records for maintenance.

Option 2. Maintain Rule Priorities. Use this option to create, change, copy, and delete account assignment priority information.

Option 3. Simulate Account Assignments. Use this option to simulate assigning charge, offset, and variance accounts to sample transactions that you enter.

Option 4. Maintain Intercompany Accounts. Use this option to create, change, copy, and delete company information used to assign intercompany receivable and liability accounts when ledger entries reflect transactions between companies. This option is not active if International Financial Management (IFM) is interfacing.

Option 5. List Rules. Use this option to determine the transaction types to appear on your Rules List.

Option 6. List Rule Priorities. Use this option to determine the transaction types to appear on Rule Priorities List.

Option 7. List Intercompany Accounts. Use this option to determine the companies to appear on the Intercompany Account File List. This option is not active if International Financial Management (IFM) is interfacing.

What information you need: None.

What reports are printed: None.

What forms you need: None.

Contents	Index	Exit
--------------------------	-----------------------	----------------------

The information about displays related to this menu begins with "Option 1. Maintain Rules (AMIMB1)".

[Contents](#)[Index](#)[Exit](#)

Option 2. Transaction Account Assignment (AMIMB0)

When you select option 2 on the IM General Ledger Interface menu (AMIMB0), the Transaction Account Assignment menu (AMIMB2) appears. Use this menu option to have MAPICS XA assign accounts to transactions and edit the accounts that MAPICS XA assigns.

```

AMIMB2                               Inventory Management          *****
                                     Transaction Account Assignment

Type option or command; press Enter.

    1. Assign Accounts
    2. Edit Assigned Accounts

==> _____

F3=Exit      F4=Prompt    F9=Retrieve   F10=Actions
F11=Job status  F12=Return   F22=Messages

```

Option 1. Assign Accounts. Use this option to select transaction types that should be assigned account numbers. A display appears that shows the number of records (by transaction type) that are eligible to have accounts assigned. You select which transaction types go through the account assignment process.

Option 2. Edit Assigned Accounts. Use this option to select which transaction types to edit with the assigned account numbers. You can change accounts previously assigned or split transactions into multiple accounts.

What information you need: None.

What reports are printed: None.

What forms you need: None.

The information about displays related to this menu begins with "Option 1. Assign Accounts (AMIMB2)".

Option 3. General Ledger Management (AMIMB0)

When you select option 3 on the IM General Ledger Interface menu (AMIMB0), the General Ledger Management menu (AMIMB3) appears. Use this menu option to create ledger entries after you review the accounts that MAPICS XA assigned. With this menu you can also control the transactions that pass to the ledger interfaces. Use the Maintain Interface Control File menu option to control the transactions that pass.

```

AMIMB3                               Inventory Management          *****
                                     General Ledger Management

Type option or command; press Enter.

1. Create Ledger Entries
2. Print Temporary General Ledger
3. Print and Clear Temporary General Ledger
4. Maintain Interface Control File
5. Maintain General Ledger Master
6. List Chart of Accounts

==> _____

F3=Exit      F4=Prompt   F9=Retrieve   F10=Actions
F11=Job status  F12=Return  F22=Messages

```

Option 1. Create Ledger Entries. Use this option to create General Ledger entries for assigned accounts. You can select the transaction types that will be converted into ledger entries and enter data required for summarization and multiple company accounting. If International Financial Management (IFM) is interfacing, you can create IFM transaction headers for ledger entries. Refer to the *IFM User's Guide* for additional information.

Option 2. Print Temporary General Ledger. Use this option to print the Temporary General Ledger Listing.

Option 3. Print and Clear Temporary General Ledger. Use this option to print the Temporary General Ledger Listing and clear the Temporary General Ledger file. You can use this option only if General Ledger is not installed and interfacing. If General Ledger is installed and interfacing, you must use Fiscal Period Close in the General Ledger to process and purge records in the temporary general ledger.

Option 4. Maintain Interface Control File. Use this option to change transaction descriptions that were shipped with the application in the General Ledger Interface Transaction Description file (LITDES). This option is also used to change the indicator that specifies whether or not the transaction is sent to General Ledger.

Option 5. Maintain General Ledger Master. Use this option to add, change, and delete general ledger records. You can also view the status of a General Ledger Master File maintenance session and print the General Ledger Master Entry/Change listing (if chosen during application tailoring). You can use this option only if General Ledger is not installed and interfacing. You must use the General Ledger application to perform maintenance if it is installed and interfacing.

Contents	Index	Exit
--------------------------	-----------------------	----------------------

Option 6. List Chart of Accounts. Use this option to select the accounts and companies to print on your Chart of Accounts listing.

What information you need: None.

What reports are printed: None.

What forms you need: None.

The information about displays related to this menu begins with "Option 1. Create Ledger Entries (AMIMB3)".

Contents	Index	Exit
--------------------------	-----------------------	----------------------

Option 1. Maintain Rules (AMIMB1)

Use this option to select rules to create, change, copy, delete, or see.

When IFM is installed and you have answered YES to the GL interface question during application tailoring, account numbers are replaced with units and natures. Refer to the IFM User's Guide for more information.

What information you need:

- The transaction type to be maintained, copied or deleted.
- The values for the From/To fields, if you want to limit the selection range.

What reports are printed: Maintain Rules Register (AMIG5).

What forms you need: None.

The basic steps to maintain rules follow each display.

[Contents](#)[Index](#)[Exit](#)

AMIG501—Specify Rules to Maintain (Select)

Use this display to select rules for maintenance.

This display appears when you select option 1 on the Account Assignment Rule Management menu.

For the From and To ranges on this display, the value you type in the To field must be greater than or equal to the value you type in the From field when both fields are used. The range begins with and includes the value you type in the From field; it ends with and includes the value you type in the To field.

If you type a value in the From field only, the system ends the range with the highest value for that field. If you type a value in the To field only, the system begins the range with the lowest value for that field. If you want to select records by a single value instead of a range, use that value in both the From and To fields.

```

AMIG501                Specify Rules to Maintain

Specify rules to maintain and include any ranges; or press Enter.

Maintain rules defined for transaction type . . . . . aaA4

Include only these ranges (optional):      From           To
Warehouse . . . . .                aA3             aA3
Item number . . . . .              aaaaaaaaaaA15   aaaaaaaaaaA15
Item type . . . . .                A               A
Item class . . . . .               aaA4            aaA4
Item accounting class . . . . .    aA3             aA3
Order number . . . . .            aaaaaA7         aaaaaA7
Order accounting class . . . . .   aA3             aA3
Reason code . . . . .             aaaA5           aaaA5

F1=Help      F3=Exit      F5=Refresh   F22=Group delete
F14=Simulate F16=Priority F21=Group copy

```

What to do

- To select specific rules to maintain, type in a valid transaction type in this field and press **Enter**. The Maintain Rules display (AMIG502) appears.
- To select rules for all transaction types, press **Enter**. Do not enter a transaction type. The Maintain Rules display (AMIG502) appears.
- To limit the records shown on the Maintain Rules display (AMIG502), type in the range values you want to use and press **Enter**. The Maintain Rules display (AMIG502) appears.

Function keys

F1=Help shows information about this display. Pressing F1 or pressing the help key shows you the same information.

F3=Exit takes you to an Exit window.

Contents	Index	Exit
-----------------	--------------	-------------

F5=Refresh resets the display to the original values that appeared before you made any changes. The data entry fields are restored to the current values stored in the system.

F14=Simulate causes the Simulate Account Assignments display to appear.

F16=Priority takes you to a rule priorities maintenance session. The display that appears depends on the following conditions:

AMIG601 Appears if a priority session has never been initiated from the current rules maintenance session and you use F16 on display AMIG501, AMIG502, AMIG511, or AMIG512.

AMIG602 Appears if you use F16 on display AMIG506, AMIG507, AMIG508, or AMIG510. This display also appears when you use F16 on display AMIG502 if you started a priority session during the current maintenance session and AMIG602 was the previous display.

AMIG606 or AMIG607 Appears if you started a priority session during the current rules maintenance session from display AMIG501, AMIG502, AMIG511, or AMIG512 and you were previously on display AMIG606 or AMIG607.

F21=Group copy causes the Specify Rules to Copy display (AMIG511) to appear.

F22=Group delete causes the Specify Rules to Delete display (AMIG512) to appear.

Fields

[?] appears next to a field name in the following field definitions to identify a field from which you can begin a master file search.

Transaction type. Code that indicates the kind of transaction.

For IM, the transaction types are:

CA	Cost adjustment
CL	Component transfer to line
CN	Component transfer to stores
CR	Average cost replace
CS	Standard cost replace
CU	Standard unit cost default replacement
IA	Inventory adjustment
IP	Planned manufacture issue
IS	Miscellaneous issue
IU	Unplanned component issue
IW	Interwarehouse issue
IX	Uncontrolled floor stock
MQ	Manufacturing item QC complete
PH	Physical inventory update
PQ	Purchase item QC complete
RC	Miscellaneous receipt
RM	Production receipt
RP	P.O. receipt to stock
RQ	Shelf life expired - reject
RS	Component return to stock
RW	Interwarehouse receipt

Contents	Index	Exit
-----------------	--------------	-------------

SA	Sales shipment
SC	Manufacturing component scrap
SM	Manufacturing order scrap
SP	Purchase order scrap
SQ	QC status change
SS	Scrap from stock
VR	Purchase return to vendor

Warehouse [?]. Code defined by your company that identifies the warehouse in which this item is currently stocked.

Item number [?]. Number of the item, which can be any raw material, manufactured or purchased part, subassembly, assembly, or end item.

Item type. Code that best describes the type of item:

0	Phantom
1	Assembly or subassembly
2	Fabricated item
3	Raw material
4	Purchased item
9	User option
F	Feature
K	Kit

Item class. Code assigned by your company that identifies the class to which this item belongs. For example, STEL might mean items made of steel.

Item accounting class. Class, defined by your company, to group or classify items for accounting purposes.

Order Number [?]. Control number assigned to the order.

Purchase order

A request sent to a vendor asking for goods or services. Has a prefix of 'P'.

Manufacturing order

An order issued to the factory to produce a component or assembly. Has a prefix of 'M'.

Schedule order

An authorization to produce an item on a specific production line over a specific time period. Has a prefix of 'S'.

Order accounting class. Class, defined by your company, to group or classify orders for accounting purposes.

Reason code. Code assigned by your company that indicates the reason for a transaction.

[Contents](#)[Index](#)[Exit](#)

AMIG502—Maintain Rules

Use this display to create, change, copy, delete, and see rules. This display presents records based on the selections you made on the Specify Rules to Maintain (Select) display (AMIG501).

This display appears under the following conditions:

- When you press **Enter** on the Specify Rules to Maintain (Select) display (AMIG501). If you specify a transaction type to maintain or type a value in at least one of the optional range fields, this display shows you a subsetted list of all the rules that meet your selection criteria. If you do not specify a transaction type, it shows you all the rules.
- When you press **Enter** on the Confirm Delete of Rules display (AMIG503). This display shows you the results of the deletions you requested.
- When you press **Enter** on the Specify Rules to Delete display (AMIG512). This display shows you a subsetted list of all the rules for the transaction type you specify and marks them for deletion. You may remove any record from the list that you do not want to delete by moving the cursor to the list entry and removing the 4.

If you delete all records for a subsetted list or all the records in the file or add a rule to the file, a message appears informing you that the maintenance was successful. When you delete all the list entries in a subsetted list, you must use **F12** to return to display AMIG501 to make your next maintenance request.

```

AMIG502                                Maintain Rules
Type options; then press Enter.
  1=Create  2=Change  3=Copy  4=Delete  5=Display
                                     (Subsetted list active)  More:
----- Item -----
Opt Sts Txn  ----- Item ----- --- Order --- Reason
 *   *   Type Whs  Number      Type  Cls  Ac Cl  Number  Ac Cl  Code
n   *   aaA4 aA3  aaaaaaaaaaaA15  A   aaA4  aA3  aaaaaA7  aA3  aaaA5
n   *   ****  ***  *****
n   *   ****  ***  *****
n   *   ****  ***  *****

F1=Help      F3=Exit      F5=Refresh   F7=Backward
F8=Forward   F12=Cancel   F14=Simulate F16=Priority

```

What to do

- To create a rule, type **1** in the **Opt** field and requested information on the create line and press **Enter**. Or type **1** in the **Opt** field on the create line and press **Enter**. The Create Account Assignment Rule display (AMIG506) appears.
- To change a rule, type **2** in the **Opt** field next to the list entry you want to maintain and press **Enter**. The Change Account Assignment Rule display (AMIG507) appears.

[Contents](#)[Index](#)[Exit](#)

- To copy a rule, type **3** in the **Opt** field next to the list entry you want to copy and press **Enter**. The Copy Account Assignment Rule display (AMIG508) appears.
- To delete a rule, type **4** in the **Opt** field next to the list entry you want to delete and press **Enter**. The Confirm Delete of Rules display (AMIG503) appears.
- To see a rule, type **5** in the **Opt** field next to the list entry you want to review and press **Enter**. The Display Account Assignment Rule display (AMIG510) appears.

If a priority does not exist for the rule, a message appears. Use **F16** at this time to add the priority or add it later by selecting option 2 on the Account Assignment Rule Management menu. If you select **F16** the Maintain Rule Priorities display (AMIG602) appears with the transaction type and the fields that correspond to the rule you just typed in already selected for you.

Function keys

F1=Help shows information about this display. Pressing F1 or pressing the help key shows you the same information.

F3=Exit takes you to an Exit window.

F5=Refresh resets the display to the original values that appeared before you made any changes. The data entry fields are restored to the current values stored in the system.

F7=Backward shows the previous set of entries or information on the display. You can press F7 when you see More: - in the upper right part of the display.

F8=Forward shows the next set of entries or information on the display. You can press **F8** when you see More: + in the upper right part of the display.

Note: F7 and F8 allow you to see additional data on this display. To see additional information about messages, position the cursor on the message and use the Roll keys.

F12=Cancel ignores any options or changes you typed on the current display and causes the previous display to appear.

F14=Simulate causes the Simulate Account Assignments display to appear.

F16=Priority takes you to a rule priorities maintenance session. The display that appears depends on the following conditions:

AMIG601 Appears if a priority session has never been initiated from the current rules maintenance session and you use F16 on display AMIG501, AMIG502, AMIG511, or AMIG512.

AMIG602 Appears if you use F16 on display AMIG506, AMIG507, AMIG508, or AMIG510. This display also appears when you use F16 on display AMIG502 if you started a priority session during the current maintenance session and AMIG602 was the previous display.

AMIG606 or AMIG607 Appears if you started a priority session during the current rules maintenance session from display AMIG501, AMIG502, AMIG511, or AMIG512 and you were previously on display AMIG606 or AMIG607.

[Contents](#)[Index](#)[Exit](#)

Fields

[?] appears next to a field name in the following field definitions to identify a field from which you can begin a master file search.

Opt. Use this column to act on individual list entries. An option number represents each action you can take on this display. Type the option number next to the list entry you want to act upon and press Enter. You can type the same option next to more than one entry at a time. Where more than one option is available, you can type different options next to different entries at the same time. After the first option is processed, the second option is processed, and so on.

This field is required.

- 1 Create a rule. A valid transaction type is necessary to complete this option. You can only create a rule from the create line of the displays.
- 2 Change a rule.
- 3 Copy a rule.
- 4 Delete a rule.
- 5 Show a rule.

Sts. Code assigned to identify the status of a record.

- I Invalid account
- M Multi-company
- S Split account

Txn Type. Code that indicates the kind of transaction.

For IM, the transaction types are:

- CA Cost adjustment
- CL Component transfer to line
- CN Component transfer to stores
- CR Average cost replace
- CS Standard cost replace
- CU Standard unit cost default replacement
- IA Inventory adjustment
- IP Planned manufacture issue
- IS Miscellaneous issue
- IU Unplanned component issue
- IW Interwarehouse issue
- IX Uncontrolled floor stock
- MQ Manufacturing item QC complete
- PH Physical inventory update
- PQ Purchase item QC complete
- RC Miscellaneous receipt
- RM Production receipt
- RP P.O. receipt to stock
- RQ Shelf life expired - reject
- RS Component return to stock
- RW Interwarehouse receipt
- SA Sales shipment
- SC Manufacturing component scrap
- SM Manufacturing order scrap
- SP Purchase order scrap

Contents	Index	Exit
-----------------	--------------	-------------

SQ QC status change
SS Scrap from stock
VR Purchase return to vendor

Whs [?]. Code defined by your company that identifies the warehouse in which this item is currently stocked.

Item Number [?]. Number of the item, which can be any raw material, manufactured or purchased part, subassembly, assembly, or end item.

Item type. Code that best describes the type of item:

0 Phantom
1 Assembly or subassembly
2 Fabricated item
3 Raw material
4 Purchased item
9 User option (Special)
F Feature
K Kit

Item Cls. Code assigned by your company that identifies the class to which this item belongs. For example, STEL might mean items made of steel.

Item Ac Cl. Class, defined by your company, to group or classify items for accounting purposes.

Order Number [?]. Control number assigned to the order.

Purchase order

A request sent to a vendor asking for goods or services. Has a prefix of 'P'.

Manufacturing order

An order issued to the factory to produce a component or assembly. Has a prefix of 'M'.

Schedule order

An authorization to produce an item on a specific production line over a specific time period. Has a prefix of 'S'.

Order Ac Cl. Class, defined by your company, to group or classify orders for accounting purposes.

Reason Code. Code assigned by your company that indicates the reason for a transaction.

[Contents](#)[Index](#)[Exit](#)

AMIG503—Confirm Delete of Rules

Use this display to delete the selected rules. You can delete the records shown on this display or return to the previous display without deleting any records.

This display appears when you enter option 4 for one or more records on the Maintain Rules display (AMIG502) or when you request a deletion from the Specify Rules to Delete display (AMIG512).

```

AMIG503                               Confirm Delete of Rules

Press Enter to confirm your choices for Delete.
Press F12=Cancel to return to change your choices.

                                     More:
Sts  Txn  ----- Item -----  --- Order --- Reason
*   Type Whs  Number          Type  Cls  Ac Cl  Number  Ac Cl  Code
*   **** ***  *****          *   ***  ***  *****  ***  *****
*   **** ***  *****          *   ***  ***  *****  ***  *****

F1=Help  F7=Backward  F8=Forward  F12=Cancel

```

What to do

To delete the rules shown, press **Enter**. The rules are deleted and display AMIG502 appears again.

Function keys

F1=Help shows information about this display. Pressing F1 or pressing the help key shows you the same information.

F7=Backward shows the previous set of entries or information on the display. You can press F7 when you see More: - in the upper right part of the display.

F8=Forward shows the next set of entries or information on the display. You can press **F8** when you see More: + in the upper right part of the display.

Note: F7 and F8 allow you to see additional data on this display. To see additional information about messages, position the cursor on the message and use the Roll keys.

F12=Cancel ignores any options or changes you typed on the current display and causes the previous display to appear.

Contents	Index	Exit
-----------------	--------------	-------------

Fields

Sts. Code assigned to identify the status of a record.

I Invalid account
M Multi-company
S Split account

Txn Type. Code that indicates the kind of transaction.

Whs [?]. Code defined by your company that identifies the warehouse in which this item is currently stocked.

Item Number [?]. Number of the item, which can be any raw material, manufactured or purchased part, subassembly, assembly, or end item.

Item type. Code that best describes the type of item:

0 Phantom
1 Assembly or subassembly
2 Fabricated item
3 Raw material
4 Purchased item
9 User option (Special)
F Feature
K Kit

Item Cls. Code assigned by your company that identifies the class to which this item belongs. For example, STEL might mean items made of steel.

Item Ac Cl. Class, defined by your company, to group or classify items for accounting purposes.

Order Number [?]. Control number assigned to the order.

Purchase order

A request sent to a vendor asking for goods or services. Has a prefix of 'P'.

Manufacturing order

An order issued to the factory to produce a component or assembly. Has a prefix of 'M'.

Schedule order

An authorization to produce an item on a specific production line over a specific time period. Has a prefix of 'S'.

Order Ac Cl. Class, defined by your company, to group or classify orders for accounting purposes.

Reason Code. Code assigned by your company that indicates the reason for a transaction.

[Contents](#)[Index](#)[Exit](#)

AMIG506—Create Account Assignment Rule

Use this display to create account assignment rules.

This display appears when you type option 1 on the first create line on the Maintain Rules display (AMIG502).

If IFM is installed and you have answered YES to the General Ledger interface question during application tailoring, account numbers are replaced with units and natures. Refer to the *IFM User's Guide* for more information.

```

AMIG506                Create Account Assignment Rule
Type choices; then press Enter.                                     Page 2 of 2
Charge account:
Company number . . . . . nn
Account number . . . . . nnnnnnnnnnnnnnnnn
Offset account:
Company number . . . . . nn
Account number . . . . . nnnnnnnnnnnnnnnnn
Variance account:
Company number . . . . . nn
Account number . . . . . nnnnnnnnnnnnnnnnn

```

```

AMIG506                Create Account Assignment Rule
Type choices; then press Enter.                                     Page 1 of 2
Transaction type . . . . . aaA4
Warehouse . . . . . aA3
Item information:
Item number . . . . . aaaaaaaaaA15
Item type . . . . . A
Item class . . . . . aaA4
Accounting class . . . . . aA3
Order information:
Order number . . . . . aaaaaA7
Accounting class . . . . . aA3
Reason Code . . . . . aaaA5

F1=Help      F5=Refresh      F7=Backward      F8=Forward
F12=Cancel   F14=Simulate   F16=Add priority

```

What to do

To create a rule, type in any additional information and use **F8** to see page 2 of this display

To return to the previous display, use **F12**.

Function keys

F1=Help shows information about this display. Pressing F1 or pressing the help key shows you the same information.

Contents	Index	Exit
-----------------	--------------	-------------

F5=Refresh resets the display to the original values that appeared before you made any changes. The data entry fields are restored to the current values stored in the system.

F7=Backward shows the previous set of entries or information on the display. You can press F7 when you see More: - in the upper right part of the display.

F8=Forward shows the next set of entries or information on the display. You can press **F8** when you see **More: +** in the upper right part of the display.

Note: F7 and F8 allow you to see additional data on this display. To see additional information about messages, position the cursor on the message and use the Roll keys.

F12=Cancel ignores any options or changes you typed on the current display and causes the previous display to appear.

F14=Simulate causes the Simulate Account Assignments display to appear.

F16=Add priority takes you to a rule priorities maintenance session. The display that appears depends on the following conditions:

AMBG601 Appears if a priority session has never been initiated from the current rules maintenance session and you use F16 on display AMBG501, AMBG502, AMBG511, or AMBG512.

AMBG602 Appears if you use F16 on display AMBG506, AMBG507, AMBG508, or AMBG510. This display also appears when you use F16 on display AMBG502 if you started a priority session during the current maintenance session and AMBG602 was the previous display.

AMBG606 or AMBG607 Appears if you started a priority session during the current rules maintenance session from display AMBG501, AMBG502, AMBG511, or AMBG512 and you were previously on display AMBG606 or AMBG607.

Fields

[?] appears next to a field name in the following field definitions to identify a field from which you can begin a master file search.

You can tailor your search by typing a question mark (?) in a field and typing information in other fields. For example, to search for all accounts for a specific company enter the company number in the company field and a ? in the account field.

Page. Number of the page you currently see. For example, when you see Page 1 of n, you change it to show Page 8 of n by typing 8 over the 1. Or, you can see the next page by pressing F8 (Forward), Page Down, or Roll Up and the previous page by pressing F7 (Backward), Page Up, or Roll Down.

Transaction type. Code that indicates the kind of transaction.

For a list of valid transaction types, see "AMIG501—Specify Rules to Maintain (Select)".

Contents	Index	Exit
--------------------------	-----------------------	----------------------

Warehouse [?]. Code defined by your company that identifies the warehouse in which this item is currently stocked.

Item number [?]. Number of the item, which can be any raw material, manufactured or purchased part, subassembly, assembly, or end item.

Item type. Code that best describes the type of item:

0	Phantom
1	Assembly or subassembly
2	Fabricated item
3	Raw material
4	Purchased item
9	User option
F	Feature
K	Kit

Item class. Code assigned by your company that identifies the class to which this item belongs. For example, STEL might mean items made of steel.

Item accounting class. Class, defined by your company, to group or classify items for accounting purposes.

Order number [?]. Control number assigned to the order.

Purchase order

A request sent to a vendor asking for goods or services. Has a prefix of 'P'.

Manufacturing order

An order issued to the factory to produce a component or assembly. Has a prefix of 'M'.

Schedule order

An authorization to produce an item on a specific production line over a specific time period. Has a prefix of 'S'.

Order accounting class. Class, defined by your company, to group or classify orders for accounting purposes.

Reason Code. Code assigned by your company that indicates the reason for a transaction.

Charge. Company and account number combination to receive the charge associated with a specific transaction type.

Company number.

Unique identifier for a particular company.

Type in the company number you want to be assigned to the charge transactions that match the rule you are creating. You can type in a company number only if you choose multiple company support during application tailoring. Valid values are 01-89. If you use the master file search capability, all accounts in your General Ledger Master file appear for selection.

Account number [?].

Account number to be assigned to the charge transaction.

Contents	Index	Exit
--------------------------	-----------------------	----------------------

Type in the account number you want to be assigned to the charge transactions that match the rule you are creating.

If you use the master file search capability, only those account numbers for the company you typed in the *Company* field appear for selection. If you did not type in a company number, all accounts in your General Ledger Master file appear for selection.

If International Financial Management (IFM) is interfacing, unit and nature appear instead of company and account number. Refer to the *IFM User's Guide* for additional information.

Offset. Company and account number combination to receive the offset associated with a specific transaction type.

Company number [?].

Unique identifier for a particular company.

Type in the company number you want to be assigned to the offset transactions that match the rule you are creating. You can type in a company number only if you chose multiple company support during application tailoring. Valid values are 01-89.

If you use the master file search capability, all accounts in your General Ledger Master file appear for selection.

Account number [?].

Account number to be assigned to the offset transaction.

Type in the account number you want to be assigned to the offset transactions that match the rule you are creating.

If you use the master file search capability, only those account numbers for the company you typed in the *Company* field appear for selection. If you did not type in a company number, all accounts in your General Ledger Master file appear for selection.

If International Financial Management (IFM) is interfacing, unit and nature appear instead of company and account number. Refer to the *IFM User's Guide* for additional information.

Variance. Company and account number combination to receive the variance associated with a specific transaction type.

Company number [?].

Unique identifier for a particular company.

Type in the company number you want to be assigned to the variance transactions that match the rule you are creating. You can type in a company number only if you chose multiple company support during application tailoring. Valid values are 01-89.

Contents	Index	Exit
--------------------------	-----------------------	----------------------

If you use the master file search capability, all accounts in your General Ledger Master file appear for selection.

Account number [?].

Account number to be assigned to the variance transaction.

Type in the account number you want to be assigned to the variance transactions that match the rule you are creating.

If you use the master file search capability, only those account numbers for the company you typed in the Company field appear for selection. If you did not type in a company number, all accounts in your General Ledger Master file appear for selection.

If International Financial Management (IFM) is interfacing, unit and nature appear instead of company and account number. Refer to the *IFM User's Guide* for additional information.

[Contents](#)[Index](#)[Exit](#)

AMIG507–Change Account Assignment Rule

Use this display to change account assignment rules.

The display appears when you select option 2 on the Maintain Rules display (AMIG502).

If IFM is installed and you have answered yes to the GL interface question during application tailoring, account numbers are replaced with units and natures. Refer to the *IFM User's Guide* for more information.

When defining units and natures, you can define a rule with a unit, a nature, or both. By assigning separate rules for the unit and the nature, you can dramatically reduce the number of rules needed.

```

AMIG507              Change Account Assignment Rule
Type choices; then press Enter.                                     Page 2 of 2

Charge account:
Company number . . . . . nn
Account number . . . . . aaaaaaaaaA15
Offset account:
Company number . . . . . nn
Account number . . . . . aaaaaaaaaA15
Variance account:
Company number . . . . . nn
Account number . . . . . aaaaaaaaaA15

```

```

AMIG507              Change Account Assignment Rule
Type choices; then press Enter.                                     Page 1 of 2

Transaction type . . . . . aaA4
Warehouse . . . . . aA3
Item information:
Item number . . . . . aaaaaaaaaA15
Item type . . . . . A
Item class . . . . . aaA4
Accounting class . . . . . aA3
Order information:
Order number . . . . . aaaaaA7
Accounting class . . . . . aA3
Reason Code . . . . . aaaA5

F1=Help           F5=Refresh       F7=Backward      F8=Forward
F12=Cancel        F14=Simulate    F16=Add priority

```

Function keys

F1=Help shows information about this display. Pressing F1 or pressing the help key shows you the same information.

F5=Refresh resets the display to the original values that appeared before you made any changes. The data entry fields are restored to the current values stored in the system.

[Contents](#)[Index](#)[Exit](#)

F7=Backward shows the previous set of entries or information on the display. You can press F7 when you see More: - in the upper right part of the display.

F8=Forward shows the next set of entries or information on the display. You can press **F8** when you see More: + in the upper right part of the display.

Note: F7 and F8 allow you to see additional data on this display. To see additional information about messages, position the cursor on the message and use the Roll keys.

F12=Cancel ignores any options or changes you typed on the current display and causes the previous display to appear.

F14=Simulate causes the Simulate Account Assignments display to appear.

F16=Add priority takes you to a rule priorities maintenance session. The display that appears depends on the following conditions:

AMBG601 Appears if a priority session has never been initiated from the current rules maintenance session and you use F16 on display AMBG501, AMBG502, AMBG511, or AMBG512.

AMBG602 Appears if you use F16 on display AMBG506, AMBG507, AMBG508, or AMBG510. This display also appears when you use F16 on display AMBG502 if you started a priority session during the current maintenance session and AMBG602 was the previous display.

AMBG606 or AMBG607 Appears if you started a priority session during the current rules maintenance session from display AMBG501, AMBG502, AMBG511, or AMBG512 and you were previously on display AMBG606 or AMBG607.

Fields

[?] appears next to a field name in the following field definitions to identify a field from which you can begin a master file search.

You can tailor your search by typing a question mark (?) in a field and typing information in other fields. For example, to search for all accounts for a specific company enter the company number in the company field and a ? in the account field.

Page. Number of the page you currently see. For example, when you see Page 1 of n, you change it to show Page 8 of n by typing 8 over the 1. Or, you can see the next page by pressing F8 (Forward), Page Down, or Roll Up and the previous page by pressing F7 (Backward), Page Up, or Roll Down.

Transaction type. Code that indicates the kind of transaction.

For IM, the transaction types are:

CA	Cost adjustment
CL	Component transfer to line
CN	Component transfer to stores
CR	Average cost replace
CS	Standard cost replace
CU	Standard unit cost default replacement

Contents	Index	Exit
-----------------	--------------	-------------

IA	Inventory adjustment
IP	Planned manufacture issue
IS	Miscellaneous issue
IU	Unplanned component issue
IW	Interwarehouse issue
IX	Uncontrolled floor stock
MQ	Manufacturing item QC complete
PH	Physical inventory update
PQ	Purchase item QC complete
RC	Miscellaneous receipt
RM	Production receipt
RP	P.O. receipt to stock
RQ	Shelf life expired - reject
RS	Component return to stock
RW	Interwarehouse receipt
SA	Sales shipment
SC	Manufacturing component scrap
SM	Manufacturing order scrap
SP	Purchase order scrap
SQ	QC status change
SS	Scrap from stock
VR	Purchase return to vendor

Warehouse [?]. Code defined by your company that identifies the warehouse in which this item is currently stocked.

Item number [?]. Number of the item, which can be any raw material, manufactured or purchased part, subassembly, assembly, or end item.

Item type. Code that best describes the type of item:

0	Phantom
1	Assembly or subassembly
2	Fabricated item
3	Raw material
4	Purchased item
9	User option
F	Feature
K	Kit

Item class. Code assigned by your company that identifies the class to which this item belongs. For example, STEL might mean items made of steel.

Item accounting class. Class, defined by your company, to group or classify items for accounting purposes.

Order number [?]. Control number assigned to the order.

Purchase order

A request sent to a vendor asking for goods or services. Has a prefix of 'P'.

Manufacturing order

An order issued to the factory to produce a component or assembly. Has a prefix of 'M'.

Schedule order

An authorization to produce an item on a specific production line over a specific time period. Has a prefix of 'S'.

Contents	Index	Exit
--------------------------	-----------------------	----------------------

Order accounting class. Class, defined by your company, to group or classify orders for accounting purposes.

Reason Code. Code assigned by your company that indicates the reason for a transaction.

Charge. Company and account number combination to receive the charge associated with a specific transaction type.

Company number [?].

Unique identifier for a particular company.

Type in the company number you want to be assigned to the offset transactions that match the rule you are changing. You can type in a company number only if you chose multiple company support during application tailoring. Valid values are 01-89.

If you use the master file search capability, all accounts in your General Ledger Master file appear for selection.

Account number [?].

Account number to be assigned to the charge transaction.

If you use the master file search capability, only those account numbers for the company you typed in the Company field appear for selection. If you did not type in a company number, all accounts in your General Ledger Master file appear for selection.

If International Financial Management (IFM) is installed, and you answered YES to the GL interface question in the tailoring questionnaire, unit and nature appear instead of company and account number. Refer to the *IFM User's Guide* for additional information.

Offset. Company and account number combination to receive the offset associated with a specific transaction type.

Company number [?].

Unique identifier for a particular company.

Type in the company number you want to be assigned to the offset transactions that match the rule you are changing. You can type in a company number only if you chose multiple company support during application tailoring. Valid values are 01-89.

If you use the master file search capability, all accounts in your General Ledger Master file appear for selection.

Account number [?].

Account number to be assigned to the offset transaction.

Type in the account number you want to be assigned to the offset transactions that match the rule you are changing.

Contents	Index	Exit
--------------------------	-----------------------	----------------------

If you use the master file search capability, only those account numbers for the company you typed in the Company field appear for selection. If you did not type in a company number, all accounts in your General Ledger Master file appear for selection.

If International Financial Management (IFM) is installed, and you answered YES to the GL interface question in the tailoring questionnaire, unit and nature appear instead of company and account number. Refer to the *IFM User's Guide* for additional information.

Variance. Company and account number combination to receive the variance associated with a specific transaction type.

Company number [?]. Unique identifier for a particular company.

Unique identifier for a particular company.

Type in the company number you want to be assigned to the variance transactions that match the rule you are changing. You can type in a company number only if you chose multiple company support during application tailoring. Valid values are 01-89.

If you use the master file search capability, all accounts in your General Ledger Master file appear for selection.

Account number [?]. Account number to be assigned to the variance transaction.

Account number to be assigned to the variance transaction.

Type in the account number you want to be assigned to the variance transactions that match the rule you are changing.

If you use the master file search capability, only those account numbers for the company you typed in the Company field appear for selection. If you did not type in a company number, all accounts in your General Ledger Master file appear for selection.

If International Financial Management (IFM) is installed, and you answered yes to the GL interface question in the tailoring questionnaire, units and natures appear instead of company and account numbers. Refer to the *IFM User's Guide* for additional information.

[Contents](#)[Index](#)[Exit](#)

AMIG508—Copy Account Assignment Rule

Use this display to copy account assignment rules.

This display appears when you select option 3 on the Maintain Rules display (AMIG502).

If International Financial Management (IFM) is installed, and you answered YES to the GL interface question in the tailoring questionnaire, units and natures appear instead of company and account numbers. Refer to the *IFM User's Guide* for additional information.

```

AMIG508                Copy Account Assignment Rule
Type choices; then press Enter.                                     Page 2 of 2

Charge account:
Company number . . . . . nn
Account number . . . . . aaaaaaaaaa15A
Offset account:
Company number . . . . . nn
Account number . . . . . aaaaaaaaaa15A
Variance account:
Company number . . . . . nn
Account number . . . . . aaaaaaaaaa15A

```

```

AMIG508                Copy Account Assignment Rule
Type choices; then press Enter.                                     Page 1 of 2

Transaction type . . . . . aaA4
Warehouse . . . . . aA3

Item information:
Item number . . . . . aaaaaaaaaaA15
Item type . . . . . A
Item class . . . . . aaA4
Accounting class . . . . . aA3
Order information:
Order number . . . . . aaaaaA7
Accounting class . . . . . aA3
Reason Code . . . . . aaaA5

F1=Help           F5=Refresh       F7=Backward      F8=Forward
F12=Cancel        F14=Simulate      F16=Add priority

```

What to do

- To copy a rule, type in the requested information. To change the account information, use **F8** to see page 2 of this display. If you do not want to change the account information for the copied rule, press **Enter**. The Maintain Rules display (AMIG502) appears, or, if you selected more than one rule to copy, the next record appears on this display.
- To return to the previous display, use **F12**.

Press **Enter** on page 1 or 2 of this display only if you do not want to copy the account information.

Function keys

F1=Help shows information about this display. Pressing F1 or pressing the help key shows you the same information.

F5=Refresh resets the display to the original values that appeared before you made any changes. The data entry fields are restored to the current values stored in the system.

F7=Backward shows the previous set of entries or information on the display. You can press F7 when you see More: - in the upper right part of the display.

F8=Forward shows the next set of entries or information on the display. You can press **F8** when you see More: + in the upper right part of the display.

Note: F7 and F8 allow you to see additional data on this display. To see additional information about messages, position the cursor on the message and use the Roll keys.

F12=Cancel ignores any options or changes you typed on the current display and causes the previous display to appear.

F14=Simulate causes the Simulate Account Assignments display to appear.

F16=Priority takes you to a rule priorities maintenance session. The display that appears depends on the following conditions:

AMIG601 Appears if a priority session has never been initiated from the current rules maintenance session and you use F16 on display AMIG501, AMIG502, AMIG511, or AMIG512.

AMIG602 Appears if you use F16 on display AMIG506, AMIG507, AMIG508, or AMIG510. This display also appears when you use F16 on display AMIG502 if you started a priority session during the current maintenance session and AMIG602 was the previous display.

AMIG606 or AMIG607 Appears if you started a priority session during the current rules maintenance session from display AMIG501, AMIG502, AMIG511, or AMIG512 and you were previously on display AMIG606 or AMIG607.

Fields

[?] appears next to a field name in the following field definitions to identify a field from which you can begin a master file search.

You can tailor your search by typing a question mark (?) in a field and typing information in other fields. For example, to search for all accounts for a specific company enter the company number in the company field and a ? in the account field.

Page. Number of the page you currently see. For example, when you see Page 1 of n, you change it to show Page 8 of n by typing 8 over the 1. Or, you can see the next page by pressing F8 (Forward), Page Down, or Roll Up and the previous page by pressing F7 (Backward), Page Up, or Roll Down.

Contents	Index	Exit
--------------------------	-----------------------	----------------------

Transaction type. Code that indicates the kind of transaction.

For a list of valid transaction types, see "AMIG501—Specify Rules to Maintain (Select)".

Warehouse [?]. Code defined by your company that identifies the warehouse in which this item is currently stocked.

Item number. Number of the item, which can be any raw material, manufactured or purchased part, subassembly, assembly, or end item.

Item type. Code that best describes the type of item:

0	Phantom
1	Assembly or subassembly
2	Fabricated item
3	Raw material
4	Purchased item
9	User option
F	Feature
K	Kit

Item class. Code assigned by your company that identifies the class to which this item belongs. For example, STEL might mean items made of steel.

Item accounting class. Class, defined by your company, to group or classify items for accounting purposes.

Order number [?]. Control number assigned to the order.

Purchase order

A request sent to a vendor asking for goods or services. Has a prefix of 'P'.

Manufacturing order

An order issued to the factory to produce a component or assembly. Has a prefix of 'M'.

Schedule order

An authorization to produce an item on a specific production line over a specific time period. Has a prefix of 'S'.

Order accounting class. Class, defined by your company, to group or classify orders for accounting purposes.

Reason Code. Code assigned by your company that indicates the reason for a transaction.

Charge. Company and account number combination to receive the charge associated with a specific transaction type.

Company number [?].

Unique identifier for a particular company.

Type in the company number you want to be assigned to the offset transactions that match the rule you are changing. You can type in a company number only if

Contents	Index	Exit
--------------------------	-----------------------	----------------------

you chose multiple company support during application tailoring. Valid values are 01-89.

If you use the master file search capability, all accounts in your General Ledger Master file appear for selection.

Account number [?].

Account number to be assigned to the charge transaction.

If you use the master file search capability, only those account numbers for the company you typed in the Company field appear for selection. If you did not type in a company number, all accounts in your General Ledger Master file appear for selection.

If International Financial Management (IFM) is installed, and you answered YES to the GL interface question in the tailoring questionnaire, unit and nature appear instead of company and account number. Refer to the *IFM User's Guide* for additional information.

Offset. Company and account number combination to receive the offset associated with a specific transaction type.

Company number [?].

Unique identifier for a particular company.

Type in the company number you want to be assigned to the offset transactions that match the rule you are changing. You can type in a company number only if you chose multiple company support during application tailoring. Valid values are 01-89.

If you use the master file search capability, all accounts in your General Ledger Master file appear for selection.

Account number [?].

Account number to be assigned to the offset transaction.

Type in the account number you want to be assigned to the offset transactions that match the rule you are changing.

If you use the master file search capability, only those account numbers for the company you typed in the Company field appear for selection. If you did not type in a company number, all accounts in your General Ledger Master file appear for selection.

If International Financial Management (IFM) is installed, and you answered yes to the GL interface question in the tailoring questionnaire, unit and nature appear instead of company and account number. Refer to the *IFM User's Guide* for additional information.

Variance. Company and account number combination to receive the variance associated with a specific transaction type.

Company number [?].

Contents	Index	Exit
--------------------------	-----------------------	----------------------

Unique identifier for a particular company.

Type in the company number you want to be assigned to the variance transactions that match the rule you are changing. You can type in a company number only if you chose multiple company support during application tailoring. Valid values are 01-89.

If you use the master file search capability, all accounts in your General Ledger Master file appear for selection.

Account number [?]

Account number to be assigned to the variance transaction.

Type in the account number you want to be assigned to the variance transactions that match the rule you are changing.

If you use the master file search capability, only those account numbers for the company you typed in the Company field appear for selection. If you did not type in a company number, all accounts in your General Ledger Master file appear for selection.

If International Financial Management (IFM) is installed, and you answered yes to the GL interface question in the tailoring questionnaire, units and natures appear instead of company and account numbers. Refer to the *IFM User's Guide* for additional information.

[Contents](#)[Index](#)[Exit](#)

AMIG510–Display Account Assignment Rule

Use this display to view account assignment rules. Rules cannot be changed when viewing.

This display appears when you select option 5 for one or more records on the Maintain Rules display (AMIG502).

If International Financial Management (IFM) is installed, and you answered YES to the GL interface question in the tailoring questionnaire, units and natures appear instead of company and account numbers. Refer to the *IFM User's Guide* for additional information.

AMIG510 Display Account Assignment Rule

Press Enter to continue.

Page 2 of 2

```
Charge account:
Company number . . . . . : **
Account number . . . . . : *****
Offset account:
Company number . . . . . : **
Account number . . . . . : *****
Variance account:
Company number . . . . . : **
Account number . . . . . : *****
```

AMIG510 Display Account Assignment Rule

Press Enter to continue.

Page 1 of 2

```
Transaction type . . . . . : ****
Warehouse . . . . . : ***
Item information:
Item number . . . . . : *****
Item type . . . . . : *
Item class . . . . . : ****
Accounting class . . . . . : ***
Order information:
Order number . . . . . : *****
Accounting class . . . . . : ***
Reason Code . . . . . : *****
```

F1=Help F5=Refresh F7=Backward F8=Forward
F12=Cancel F14=Simulate F16=Add priority

What to do

- To see additional information for the selected rule, use **F8**. Page 2 of this display appears.
- After you finish viewing account information, press **Enter** or use **F12** to return to display AMIG502.
- To return to the previous display, use **F12**.

[Contents](#)[Index](#)[Exit](#)

Function keys

F1=Help shows information about this display. Pressing F1 or pressing the help key shows you the same information.

F5=Refresh resets the display to the original values that appeared before you made any changes. The data entry fields are restored to the current values stored in the system.

F7=Backward shows the previous set of entries or information on the display. You can press F7 when you see More: - in the upper right part of the display.

F8=Forward shows the next set of entries or information on the display. You can press **F8** when you see **More: +** in the upper right part of the display.

Note: F7 and F8 allow you to see additional data on this display. To see additional information about messages, position the cursor on the message and use the Roll keys.

F12=Cancel ignores any options or changes you typed on the current display and causes the previous display to appear.

F14=Simulate causes the Simulate Account Assignments display to appear.

F16=Priority takes you to a rule priorities maintenance session. The display that appears depends on the following conditions:

AMIG601 Appears if a priority session has never been initiated from the current rules maintenance session and you use F16 on display AMIG501, AMIG502, AMIG511, or AMIG512.

AMIG602 Appears if you use F16 on display AMIG506, AMIG507, AMIG508, or AMIG510. This display also appears when you use F16 on display AMIG502 if you started a priority session during the current maintenance session and AMIG602 was the previous display.

AMIG606 or AMIG607 Appears if you started a priority session during the current rules maintenance session from display AMIG501, AMIG502, AMIG511, or AMIG512 and you were previously on display AMIG606 or AMIG607.

Fields

Page. Number of the page you currently see. For example, when you see Page 1 of n, you change it to show Page 8 of n by typing 8 over the 1. Or, you can see the next page by pressing F8 (Forward), Page Down, or Roll Up and the previous page by pressing F7 (Backward), Page Up, or Roll Down.

Transaction type. Code that indicates the kind of transaction.

For IM, the transaction types are:

CA	Cost adjustment
CL	Component transfer to line
CN	Component transfer to stores
CR	Average cost replace
CS	Standard cost replace

Contents	Index	Exit
-----------------	--------------	-------------

CU	Standard unit cost default replacement
IA	Inventory adjustment
IP	Planned manufacture issue
IS	Miscellaneous issue
IU	Unplanned component issue
IW	Interwarehouse issue
IX	Uncontrolled floor stock
MQ	Manufacturing item QC complete
PH	Physical inventory update
PQ	Purchase item QC complete
RC	Miscellaneous receipt
RM	Production receipt
RP	P.O. receipt to stock
RQ	Shelf life expired - reject
RS	Component return to stock
RW	Interwarehouse receipt
SA	Sales shipment
SC	Manufacturing component scrap
SM	Manufacturing order scrap
SP	Purchase order scrap
SQ	QC status change
SS	Scrap from stock
VR	Purchase return to vendor

Warehouse. Code defined by your company that identifies the warehouse in which this item is currently stocked.

Item number. Number of the item, which can be any raw material, manufactured or purchased part, subassembly, assembly, or end item.

Item type. Code that best describes the type of item:

0	Phantom
1	Assembly or subassembly
2	Fabricated item
3	Raw material
4	Purchased item
9	User option
F	Feature
K	Kit

Item class. Code assigned by your company that identifies the class to which this item belongs. For example, STEL might mean items made of steel.

Item accounting class. Class, defined by your company, to group or classify items for accounting purposes.

Order number. Control number assigned to the order.

Purchase order

A request sent to a vendor asking for goods or services. Has a prefix of 'P'.

Manufacturing order

An order issued to the factory to produce a component or assembly. Has a prefix of 'M'.

Schedule order

An authorization to produce an item on a specific production line over a specific time period. Has a prefix of 'S'.

Contents	Index	Exit
--------------------------	-----------------------	----------------------

Order accounting class. Class, defined by your company, to group or classify orders for accounting purposes.

Reason Code. Code assigned by your company that indicates the reason for a transaction.

Charge. Company and account number combination to receive the charge associated with a specific transaction type.

Company number [?].

Unique identifier for a particular company.

Type in the company number you want to be assigned to the offset transactions that match the rule you are changing. You can type in a company number only if you chose multiple company support during application tailoring.

Valid values are 01-89.

If you use the master file search capability, all accounts in your General Ledger Master file appear for selection.

Account number [?].

Account number to be assigned to the charge transaction.

If you use the master file search capability, only those account numbers for the company you typed in the Company field appear for selection. If you did not type in a company number, all accounts in your General Ledger Master file appear for selection.

If International Financial Management (IFM) is installed, and you answered yes to the GL interface question in the tailoring questionnaire, unit and nature appear instead of company and account number. Refer to the *IFM User's Guide* for additional information.

Offset. Company and account number combination to receive the offset associated with a specific transaction type.

Company number [?].

Unique identifier for a particular company.

Type in the company number you want to be assigned to the offset transactions that match the rule you are changing. You can type in a company number only if you chose multiple company support during application tailoring. Valid values are 01-89.

If you use the master file search capability, all accounts in your General Ledger Master file appear for selection.

Account number [?].

Account number to be assigned to the offset transaction.

Contents	Index	Exit
--------------------------	-----------------------	----------------------

Type in the account number you want to be assigned to the offset transactions that match the rule you are changing.

If you use the master file search capability, only those account numbers for the company you typed in the Company field appear for selection. If you did not type in a company number, all accounts in your General Ledger Master file appear for selection.

If International Financial Management (IFM) is installed, and you answered yes to the GL interface question in the tailoring questionnaire, unit and nature appear instead of company and account number. Refer to the *IFM User's Guide* for additional information.

Variance. Company and account number combination to receive the variance associated with a specific transaction type.

Company number [?].

Unique identifier for a particular company.

Type in the company number you want to be assigned to the variance transactions that match the rule you are changing. You can type in a company number only if you chose multiple company support during application tailoring. Valid values are 01-89.

If you use the master file search capability, all accounts in your General Ledger Master file appear for selection.

Account number [?].

Account number to be assigned to the variance transaction.

Type in the account number you want to be assigned to the variance transactions that match the rule you are changing.

If you use the master file search capability, only those account numbers for the company you typed in the Company field appear for selection. If you did not type in a company number, all accounts in your General Ledger Master file appear for selection.

If International Financial Management (IFM) is installed, and you answered yes to the GL interface question in the tailoring questionnaire, units and natures appear instead of company and account numbers. Refer to the *IFM User's Guide* for additional information.

[Contents](#)[Index](#)[Exit](#)

AMIG511–Specify Rules to Copy

Use this display to copy all records from one transaction type to another.

This display appears when you use **F21** on the Specify Rules to Maintain (Select) display (AMIG501).

For the From and To ranges on this display, the value you type in the To field must be greater than or equal to the value you type in the From field when both fields are used. The range begins with and includes the value you type in the From field; it ends with and includes the value you type in the To field.

If you type a value in the From field only, the system ends the range with the highest value for that field. If you type a value in the To field only, the system begins the range with the lowest value for that field. If you want to select records by a single value instead of a range, use that value in both the From and To fields.

```

AMIG511                Specify Rules to Copy

Specify rules to copy and include any ranges; then press Enter.

Copy rules defined for transaction type . . . . aaA4 to aaA4

Include only these ranges (optional):      From           To
Warehouse . . . . .                aA3             aA3
Item number . . . . .              aaaaaaaaaaA15   aaaaaaaaaaA15
Item type . . . . .                A               A
Item class . . . . .                aaA4            aaA4
Item accounting class . . . . .     aA3             aA3
Order number . . . . .             aaaaaA7         aaaaaA7
Order accounting class . . . . .    aA3             aA3
Reason code . . . . .              aaaA5           aaaA5

F1=Help      F3=Exit      F5=Refresh   F12=Cancel
F14=Simulate F16=Priority

```

What to do

- To copy records, type in the transaction type being copied and the transaction type to which it is being copied and press **Enter**. The Maintain Rules display (AMIG502) appears with a list of the newly created records. To limit the number of records copied, type in the range of values you want to use and press **Enter**. The Maintain Rules display (AMIG502) appears.
- To return to the previous display, use **F12**.

Function keys

F1=Help shows information about this display. Pressing F1 or pressing the help key shows you the same information.

F3=Exit takes you to an Exit window.

Contents	Index	Exit
-----------------	--------------	-------------

F5=Refresh resets the display to the original values that appeared before you made any changes. The data entry fields are restored to the current values stored in the system.

F7=Backward shows the previous set of entries or information on the display. You can press F7 when you see More: - in the upper right part of the display.

F8=Forward shows the next set of entries or information on the display. You can press **F8** when you see **More: +** in the upper right part of the display.

Note: F7 and F8 allow you to see additional data on this display. To see additional information about messages, position the cursor on the message and use the Roll keys.

F12=Cancel ignores any options or changes you typed on the current display and causes the previous display to appear.

F14=Simulate causes the Simulate Account Assignments display to appear.

F16=Priority takes you to a rule priorities maintenance session. The display that appears depends on the following conditions:

AMIG601 Appears if a priority session has never been initiated from the current rules maintenance session and you use F16 on display AMIG501, AMIG502, AMIG511, or AMIG512.

AMIG602 Appears if you use F16 on display AMIG506, AMIG507, AMIG508, or AMIG510. This display also appears when you use F16 on display AMIG502 if you started a priority session during the current maintenance session and AMIG602 was the previous display.

AMIG606 or AMIG607 Appears if you started a priority session during the current rules maintenance session from display AMIG501, AMIG502, AMIG511, or AMIG512 and you were previously on display AMIG606 or AMIG607.

Fields

[?] appears next to a field name in the following field definitions to identify a field from which you can begin a master file search.

Copy rules defined for transaction type. Code that indicates the kind of transaction.

This field is required. Type in the transaction type. For a list of valid transaction types, see "AMIG501—Specify Rules to Maintain (Select)".

Warehouse [?]. Code defined by your company that identifies the warehouse in which this item is currently stocked.

Item number [?]. Number of the item, which can be any raw material, manufactured or purchased part, subassembly, assembly, or end item.

Item Type. Code that best describes the type of item:

- 0** Phantom
- 1** Assembly or subassembly

Contents	Index	Exit
-----------------	--------------	-------------

2	Fabricated item
3	Raw material
4	Purchased item
9	User option
F	Feature
K	Kit

Item class. Code assigned by your company that identifies the class to which this item belongs. For example, STEL might mean items made of steel.

Item accounting class. Class, defined by your company, to group or classify items for accounting purposes.

Order number [?]. Control number assigned to the order.

Purchase order

A request sent to a vendor asking for goods or services. Has a prefix of 'P'.

Manufacturing order

An order issued to the factory to produce a component or assembly. Has a prefix of 'M'.

Schedule order

An authorization to produce an item on a specific production line over a specific time period. Has a prefix of 'S'.

Order accounting class. Class, defined by your company, to group or classify orders for accounting purposes.

Reason code. Code assigned by your company that indicates the reason for a transaction.

[Contents](#)[Index](#)[Exit](#)

AMIG512—Specify Rules to Delete

Use this display to delete a group of records from the transaction type you selected on the Specify Rules to Maintain (Select) display (AMIG501).

This display appears when you use **F22** on the Specify Rules to Maintain (Select) display (AMIG501).

For the From and To ranges on this display, the value you type in the To field must be greater than or equal to the value you type in the From field when both fields are used. The range begins with and includes the value you type in the From field; it ends with and includes the value you type in the To field.

If you type a value in the From field only, the system ends the range with the highest value for that field. If you type a value in the To field only, the system begins the range with the lowest value for that field. If you want to select records by a single value instead of a range, use that value in both the From and To fields.

```

AMIG512                Specify Rules to Delete

Specify rules to delete and include any ranges; then press Enter.

Delete rules defined for transaction type . . . . . aaA4

Include only these ranges (optional):      From          To
Warehouse . . . . .                aA3            aA3
Item number . . . . .                aaaaaaaaaA15   aaaaaaaaaA15
Item type . . . . .                  A              A
Item class . . . . .                 aaA4           aaA4
Item accounting class . . . . .      aA3            aA3
Order number . . . . .               aaaaaA7        aaaaaA7
Order accounting class . . . . .     aA3            aA3
Reason code . . . . .                aaaA5          aaaA5

F1=Help      F3=Exit      F5=Refresh   F12=Cancel
F14=Simulate F16=Priority

```

What to do

- To delete all rules records for a company number or transaction type, type in the company number and transaction type and press **Enter**. The Maintain Rules display (AMIG502) appears with a list of the records marked for deletion. To limit the number of rules records selected for deletion, type in the range values you want to use and press **Enter**. The Maintain Rules display (AMIG502) appears.
- To return to the previous display, use **F12**.

Function keys

F1=Help shows information about this display. Pressing F1 or pressing the help key shows you the same information.

F3=Exit takes you to an Exit window.

Contents	Index	Exit
-----------------	--------------	-------------

F5=Refresh resets the display to the original values that appeared before you made any changes. The data entry fields are restored to the current values stored in the system.

F7=Backward shows the previous set of entries or information on the display. You can press F7 when you see More: - in the upper right part of the display.

F8=Forward shows the next set of entries or information on the display. You can press **F8** when you see **More: +** in the upper right part of the display.

Note: F7 and F8 allow you to see additional data on this display. To see additional information about messages, position the cursor on the message and use the Roll keys.

F12=Cancel ignores any options or changes you typed on the current display and causes the previous display to appear.

F14=Simulate causes the Simulate Account Assignments display to appear.

F16=Priority takes you to a rule priorities maintenance session. The display that appears depends on the following conditions:

AMIG601 Appears if a priority session has never been initiated from the current rules maintenance session and you use F16 on display AMIG501, AMIG502, AMIG511, or AMIG512.

AMIG602 Appears if you use F16 on display AMIG506, AMIG507, AMIG508, or AMIG510. This display also appears when you use F16 on display AMIG502 if you started a priority session during the current maintenance session and AMIG602 was the previous display.

AMIG606 or AMIG607 Appears if you started a priority session during the current rules maintenance session from display AMIG501, AMIG502, AMIG511, or AMIG512 and you were previously on display AMIG606 or AMIG607.

Fields

[?] appears next to a field name in the following field definitions to identify a field from which you can begin a master file search.

Delete rules defined for transaction type. Code that indicates the kind of transaction.

This field is required. Type in the transaction type. For a list of valid transaction types, see "AMIG501—Specify Rules to Maintain (Select)".

Warehouse [?]. Code defined by your company that identifies the warehouse in which this item is currently stocked.

Item number [?]. Number of the item, which can be any raw material, manufactured or purchased part, subassembly, assembly, or end item.

Item Type. Code that best describes the type of item:

- 0** Phantom
- 1** Assembly or subassembly

Contents	Index	Exit
-----------------	--------------	-------------

2	Fabricated item
3	Raw material
4	Purchased item
9	User option
F	Feature
K	Kit

Item class. Code assigned by your company that identifies the class to which this item belongs. For example, STEL might mean items made of steel.

Item accounting class. Class, defined by your company, to group or classify items for accounting purposes.

Order number [?]. Control number assigned to the order.

Purchase order

A request sent to a vendor asking for goods or services. Has a prefix of 'P'.

Manufacturing order

An order issued to the factory to produce a component or assembly. Has a prefix of 'M'.

Schedule order

An authorization to produce an item on a specific production line over a specific time period. Has a prefix of 'S'.

Order accounting class. Class, defined by your company, to group or classify orders for accounting purposes.

Reason code. Code assigned by your company that indicates the reason for a transaction.

Exit Maintain Rules

Use this window to leave a rules maintenance session. The window shows the number of records added, changed, and deleted during the current session.

This window appears when you use **F3** on displays AMIG501, AMIG502, AMIG511, or AMIG512.

```

*****
*****
*****
*****
*****

*****
*****
*****

Exit Maintain Rules
Press F3=Exit to end; or press F12=Cancel to return.

Records added . . . . : *****
Records changed . . . : *****
Records deleted . . . : *****

F1=Help  F3=Exit  F12=Cancel

F1=Help      F3=Exit      F5=Refresh      F7=Backward
F8=Forward   F12=Cancel   F14=Simulate   F16=Priority

```

Function keys

F1=Help shows information about this display. Pressing F1 or pressing the help key shows you the same information.

F3=Exit takes you to an Exit window.

F5=Refresh resets the display to the original values that appeared before you made any changes. The data entry fields are restored to the current values stored in the system.

F7=Backward shows the previous set of entries or information on the display. You can press F7 when you see More: - in the upper right part of the display.

F8=Forward shows the next set of entries or information on the display. You can press **F8** when you see **More: +** in the upper right part of the display.

Note: F7 and F8 allow you to see additional data on this display. To see additional information about messages, position the cursor on the message and use the Roll keys.

F12=Cancel ignores any options or changes you typed on the current display and causes the previous display to appear.

F14=Simulate causes the Simulate Account Assignments display to appear.

Contents	Index	Exit
--------------------------	-----------------------	----------------------

F16=Priority takes you to a rule priorities maintenance session. The display that appears depends on the following conditions:

AMIG601

Appears if a priority session has never been initiated from the current rules maintenance session and you use F16 on display AMIG501, AMIG502, AMIG511, or AMIG512.

AMIG602

Appears if you use F16 on display AMIG506, AMIG507, AMIG508, or AMIG510. This display also appears when you use F16 on display AMIG502 if you started a priority session during the current maintenance session and AMIG602 was the previous display.

AMIG606 or AMIG607

Appears if you started a priority session during the current rules maintenance session from display AMIG501, AMIG502, AMIG511, or AMIG512 and you were previously on display AMIG606 or AMIG607.

Fields

Records added. Number of records added during this session.

Records changed. Number of records changed during this session.

Records deleted. Number of records deleted during this session.

Contents	Index	Exit
--------------------------	-----------------------	----------------------

Option 2. Maintain Rule Priorities (AMIMB1)

Use this option to create, change, copy, and delete account assignment priority information.

What information you need:

- The transaction type
- The rule priorities you want to set up.

What reports are printed: Maintain Rule Priorities Register (AMIG6).

What forms you need: None.

The basic steps to maintain rule priorities follow each display.

AMIG601–Specify Priorities to Maintain (Select)

Use this display to select priorities to maintain.

This display appears when you select option 2 on the Account Assignment Rule Management menu.

```

AMIG601                Specify Priorities to Maintain
Specify priorities to maintain; or press Enter.

Maintain priorities defined for company . . . . . nn
Maintain priorities defined for transaction type . . . . . aaA4

F1=Help      F3=Exit      F5=Refresh      F22=Group delete
F14=Simulate F15=Rules    F21=Group copy

```

What to do

- To select the priorities for a company number and transaction type, type in the company number and transaction type and press **Enter**. The Maintain Rule Priorities display (AMIG602) appears with a list of all records for the company number and transaction type.
- To see rule priorities, leave the fields blank and press **Enter**. Do not type anything on this display. The Maintain Rule Priorities display (AMIG602) appears.

Function keys

F1=Help shows information about this display. Pressing F1 or pressing the help key shows you the same information.

F3=Exit takes you to an Exit window.

F5=Refresh resets the display to the original values that appeared before you made any changes. The data entry fields are restored to the current values stored in the system.

F14=Simulate causes the Simulate Account Assignments display to appear.

F15=Rules takes you to a rules maintenance session. The display that appears depends on whether you started a maintain rules session during the current maintenance or simulation session. If you have not started a rules maintenance session, you see the Specify Rules to Maintain display. If you have started a rules maintenance session, you see the display that preceded this display.

[Contents](#)[Index](#)[Exit](#)

F21=Group copy causes the Specify Priorities to Copy display (AMIG606) to appear.

F22=Group delete causes the Specify Priorities to Delete display (AMIG607) to appear.

Fields

Maintain priorities defined for company. Unique number that identifies a particular company. Type in a company number.

Maintain priorities defined for transaction type. Code that indicates the kind of transaction. Type in a transaction type.

For IM, the transaction types are:

CA	Cost adjustment
CL	Component transfer to line
CN	Component transfer to stores
CR	Average cost replace
CS	Standard cost replace
CU	Standard unit cost default replacement
IA	Inventory adjustment
IP	Planned manufacture issue
IS	Miscellaneous issue
IU	Unplanned component issue
IW	Interwarehouse issue
IX	Uncontrolled floor stock
MQ	Manufacturing item QC complete
PH	Physical inventory update
PQ	Purchase item QC complete
RC	Miscellaneous receipt
RM	Production receipt
RP	P.O. receipt to stock
RQ	Shelf life expired - reject
RS	Component return to stock
RW	Interwarehouse receipt
SA	Sales shipment
SC	Manufacturing component scrap
SM	Manufacturing order scrap
SP	Purchase order scrap
SQ	QC status change
SS	Scrap from stock
VR	Purchase return to vendor

[Contents](#)[Index](#)[Exit](#)

AMIG602–Maintain Rule Priorities

Use this display to create corresponding priorities for the rules you define for assigning account numbers to transactions. The priority sequence number determines the order in which rules are used for assigning accounts, the lower the sequence number the higher the priority. As you create your priorities, the lowest sequence number for each transaction type should be the most specific. During account assignment, proceeding from the lowest sequence number to the highest, priorities are matched against the rules of the transaction type.

This display appears under the following conditions:

- When you press **Enter** on the Specify Priorities to Maintain (Select) display (AMIG601). If you specify a transaction type to maintain or type a value in at least one of the optional range fields, this display shows you a subsetted list of all the records that meet your selection criteria. If you do not specify a transaction type, it shows you all the records in the file.
- When you press **Enter** on the Confirm Delete of Rule Priorities display (AMIG603). This display shows you the results of the deletions you requested.
- When you press **Enter** on the Specify Priorities to Delete display (AMIG607). This display shows you a subsetted list of all the records for the transaction type you specify and marks them for deletion. You may remove any record from the list that you do not want to delete by moving the cursor to the list entry and removing the 4.
- When you use **F16=Priority** on the Maintain Rules display (AMIG502). You can type in a priority sequence number for the rule you want on display AMIG502.

Use **F12** to return to display AMIG601 to request another subsetted list. You can perform other maintenance activities on any records in your current subsetted list.

```

AMIG602                               Maintain Rule Priorities

Type options; then press Enter.
Use 1 in the fields you want used for this rule.
  1=Create  2=Change  3=Copy to create line  4=Delete

                                More: - +
Opt   Txn   Seq   Whs   ----- Item -----   --- Order --- Reason
Type  Type  Seq   Whs   Number  Type  Class  Ac Cl  Number  Ac Cl  Code
  n   ****  ****  n     n       n    n     n   n     n     n   n

F1=Help      F3=Exit      F5=Refresh   F7=Backward
F8=Forward   F12=Cancel   F14=Simulate F15=Rules
  
```

What to do

- To create a rule priority, type **1** in the **Opt** field on the first line (the create line) and press **Enter**. The new rule priority is added to the file.

Contents	Index	Exit
--------------------------	-----------------------	----------------------

- To change a rule priority, type **2** in the **Opt** field on the line you want to change and press **Enter**. The record is changed in the file.
- To copy a rule priority, type **3** in the **Opt** field and press **Enter**. The copied record appears on the create line of the display. Change the copied record and press **Enter**. The record is added to the file.
- To delete a rule priority, type **4** in the **Opt** field beside the line you want to delete and press **Enter**. The Confirm Delete of Rule Priorities display (AMIG603) appears.

Function keys

F1=Help shows information about this display. Pressing F1 or pressing the help key shows you the same information.

F3=Exit takes you to an Exit window.

F5=Refresh resets the display to the original values that appeared before you made any changes. The data entry fields are restored to the current values stored in the system.

F7=Backward shows the previous set of entries or information on the display. You can press F7 when you see More: - in the upper right part of the display.

F8=Forward shows the next set of entries or information on the display. You can press F8 when you see More: + in the upper right part of the display.

Note: F7 and F8 allow you to see additional data on this display. To see additional information about messages, position the cursor on the message and use the Roll keys.

F12=Cancel ignores any options or changes you typed on the current display and causes the previous display to appear.

F14=Simulate causes the Simulate Account Assignments display to appear.

F15=Rules takes you to a rules maintenance session. The display that appears depends on whether you started a maintain rules session during the current maintenance or simulation session. If you have not started a rules maintenance session, you see the Specify Rules to Maintain display. If you have started a rules maintenance session, you see the display that preceded this display.

Fields

Opt. Use this column to act on individual list entries. An option number represents each action you can take on this display. Type the option number next to the list entry you want to act upon and press Enter. You can type the same option next to more than one entry at a time. Where more than one option is available, you can type different options next to different entries at the same time. After the first option is processed, the second option is processed, and so on.

This field is required.

Txn Type. Code that indicates the kind of transaction. When creating a rule priority, enter the transaction type to which it applies.

Contents	Index	Exit
-----------------	--------------	-------------

For IM, the transaction types are:

CA	Cost adjustment
CL	Component transfer to line
CN	Component transfer to stores
CR	Average cost replace
CS	Standard cost replace
CU	Standard unit cost default replacement
IA	Inventory adjustment
IP	Planned manufacture issue
IS	Miscellaneous issue
IU	Unplanned component issue
IW	Interwarehouse issue
IX	Uncontrolled floor stock
MQ	Manufacturing item QC complete
PH	Physical inventory update
PQ	Purchase item QC complete
RC	Miscellaneous receipt
RM	Production receipt
RP	P.O. receipt to stock
RQ	Shelf life expired - reject
RS	Component return to stock
RW	Interwarehouse receipt
SA	Sales shipment
SC	Manufacturing component scrap
SM	Manufacturing order scrap
SP	Purchase order scrap
SQ	QC status change
SS	Scrap from stock
VR	Purchase return to vendor

Seq. User-assigned number that controls the order in which each priority for a transaction type is used when assigning account numbers.

This field is required.

The following fields are selection fields only. Type a **1** to select the fields that will be used to prioritize the rules for assigning account numbers.

Whs. Code defined by your company that identifies the warehouse in which this item is currently stocked.

Item Number. Number of the item, which can be any raw material, manufactured or purchased part, subassembly, assembly, or end item.

Item Type. Code that best describes the type of item:

0	Phantom
1	Assembly or subassembly
2	Fabricated item
3	Raw material
4	Purchased item
9	User option (Special)
F	Feature
K	Kit

Contents	Index	Exit
--------------------------	-----------------------	----------------------

Item Class. Code assigned by your company that identifies the class to which this item belongs. For example, STEL might mean items made of steel.

Item Ac Cl. Class, defined by your company, to group or classify items for accounting purposes.

Order Number. Control number assigned to the order.

Purchase order

A request sent to a vendor asking for goods or services. Has a prefix of 'P'.

Manufacturing order

An order issued to the factory to produce a component or assembly. Has a prefix of 'M'.

Schedule order

An authorization to produce an item on a specific production line over a specific time period. Has a prefix of 'S'.

Order Ac Cl. Class, defined by your company, to group or classify orders for accounting purposes.

Reason Code. Code assigned by your company that indicates the reason for a transaction.

[Contents](#)[Index](#)[Exit](#)

AMIG603—Confirm Delete of Rule Priorities

Use this display to delete the records shown. You can confirm the deletion of all records listed or return to the previous display without deleting any records. You cannot make a selection from this display.

This display appears when you type in a 4 for one or more records on the Maintain Rule Priorities display (AMIG602) or when you request a delete from the Specify Priorities to Delete display (AMIG607).

```

AMIG603                      Confirm Delete of Rule Priorities
Press Enter to confirm your choices for Delete.
Press F12=Cancel to return to change your choices.

      Txn      Seq      Whs      ----- Item -----      --- Order --- Reason
      Type     Seq     *      Number  Type  Class  Ac Cl  Number  Ac Cl  Code
      ****     ****
                                     More: - +

F1=Help          F7=Backward      F8=Forward      F12=Cancel
  
```

What to do

To delete the records, press **Enter**. Display AMIG602 appears.

Function keys

F1=Help shows information about this display. Pressing F1 or pressing the help key shows you the same information.

F7=Backward shows the previous set of entries or information on the display. You can press F7 when you see More: - in the upper right part of the display.

F8=Forward shows the next set of entries or information on the display. You can press **F8** when you see **More: +** in the upper right part of the display.

Note: F7 and F8 allow you to see additional data on this display. To see additional information about messages, position the cursor on the message and use the Roll keys.

F12=Cancel ignores any options or changes you typed on the current display and causes the previous display to appear.

[Contents](#)[Index](#)[Exit](#)

Fields

Txn Type. Code that indicates the kind of transaction.

Seq. User-assigned number that controls the order in which each priority for a transaction type is used when assigning account numbers.

Whs. Code defined by your company that identifies the warehouse in which this item is currently stocked.

Item Number. Number of the item, which can be any raw material, manufactured or purchased part, subassembly, assembly, or end item.

Item Type. Code that best describes the type of item:

0	Phantom
1	Assembly or subassembly
2	Fabricated item
3	Raw material
4	Purchased item
9	User option
F	Feature
K	Kit

Item Class. Code assigned by your company that identifies the class to which this item belongs. For example, STEL might mean items made of steel.

Item Ac Cl. Class, defined by your company, to group or classify items for accounting purposes.

Order Number. Control number assigned to the order.

Purchase order

A request sent to a vendor asking for goods or services. Has a prefix of 'P'.

Manufacturing order

An order issued to the factory to produce a component or assembly. Has a prefix of 'M'.

Schedule order

An authorization to produce an item on a specific production line over a specific time period. Has a prefix of 'S'.

Order Ac Cl. Class, defined by your company, to group or classify orders for accounting purposes.

Reason Code. Code assigned by your company that indicates the reason for a transaction.

[Contents](#)[Index](#)[Exit](#)

AMIG606—Specify Priorities to Copy (Select)

Use this display to copy all rule priorities from one transaction type to another.

This display appears when you use **F21** on the Specify Priorities to Maintain (Select) display (AMIG601).

AMIG606	Specify Priorities to Copy		
Specify priorities to copy; then press Enter.			
Copy priorities defined for transaction type aaa4 to aaa4			
F1=Help F14=Simulate	F3=Exit F15=Rules	F5=Refresh	F12=Cancel

What to do

- To copy records, type the transaction type being copied and the transaction type to which it is being copied and press **Enter**. The Maintain Priorities display (AMIG602) appears.
- To return to the previous display, use **F12**.

Function keys

F1=Help shows information about this display. Pressing F1 or pressing the help key shows you the same information.

F3=Exit takes you to an Exit window.

F5=Refresh resets the display to the original values that appeared before you made any changes. The data entry fields are restored to the current values stored in the system.

F12=Cancel ignores any options or changes you typed on the current display and causes the previous display to appear.

F14=Simulate causes the Simulate Account Assignments display to appear.

F15=Rules takes you to a rules maintenance session. The display that appears depends on whether you started a maintain rules session during the current maintenance or simulation session. If you have not started a rules maintenance

[Contents](#)[Index](#)[Exit](#)

session, you see the Specify Rules to Maintain display. If you have started a rules maintenance session, you see the display that preceded this display.

Fields

Copy priorities defined for transaction type. Code that indicates the kind of transaction.

For IM, the transaction types are:

CA	Cost adjustment
CL	Component transfer to line
CN	Component transfer to stores
CR	Average cost replace
CS	Standard cost replace
CU	Standard unit cost default replacement
IA	Inventory adjustment
IP	Planned manufacture issue
IS	Miscellaneous issue
IU	Unplanned component issue
IW	Interwarehouse issue
IX	Uncontrolled floor stock
MQ	Manufacturing item QC complete
PH	Physical inventory update
PQ	Purchase item QC complete
RC	Miscellaneous receipt
RM	Production receipt
RP	P.O. receipt to stock
RQ	Shelf life expired - reject
RS	Component return to stock
RW	Interwarehouse receipt
SA	Sales shipment
SC	Manufacturing component scrap
SM	Manufacturing order scrap
SP	Purchase order scrap
SQ	QC status change
SS	Scrap from stock
VR	Purchase return to vendor

[Contents](#)[Index](#)[Exit](#)

AMIG607—Specify Priorities to Delete

Use this display to delete a group of priority records for the transaction type you selected on the Specify Priorities to Maintain (Select) display (AMIG601).

This display appears when you use **F22** on the Specify Priorities to Maintain (Select) display (AMIG601).

AMIG607	Specify Priorities to Delete
Specify priorities to delete; then press Enter.	
Delete priorities defined for transaction type aaa4	
F1=Help F14=Simulate	F3=Exit F15=Rules
F5=Refresh	F12=Cancel

What to do

- To delete records, type in the transaction type and press **Enter**. The Maintain Rule Priorities display (AMIG602) appears.
- To return to the previous display, use **F12**.

Function keys

F1=Help shows information about this display. Pressing F1 or pressing the help key shows you the same information.

F3=Exit takes you to an Exit window.

F5=Refresh resets the display to the original values that appeared before you made any changes. The data entry fields are restored to the current values stored in the system.

F12=Cancel ignores any options or changes you typed on the current display and causes the previous display to appear.

F14=Simulate causes the Simulate Account Assignments display to appear.

F15=Rules takes you to a rules maintenance session. The display that appears depends on whether you started a maintain rules session during the current maintenance or simulation session. If you have not started a rules maintenance

Contents	Index	Exit
--------------------------	-----------------------	----------------------

session, you see the Specify Rules to Maintain display. If you have started a rules maintenance session, you see the display that preceded this display.

Fields

Delete priorities defined for transaction type. Code that indicates the kind of transaction.

Type in the transaction type for which you want to delete priorities. The rule priorities for the transaction type you selected appear on display AMIG602.

[Contents](#)[Index](#)[Exit](#)

Option 3. Simulate Account Assignments (AMIMB1)

Use this option to simulate assigning charge, offset, and variance accounts to sample transactions.

If International Financial Management (IFM) is installed, and you answered YES to the GL interface question in the tailoring questionnaire, units and natures appear instead of company and account numbers. Refer to the IFM User's Guide for additional information.

What information you need: The simulation data.

What reports are printed: None.

What forms you need: None.

The basic steps to simulate account assignments follow each display.

AMIG401–Simulate Account Assignments

Use this display to simulate assigning charge, offset, or variance accounts to a sample transaction that you enter. Use **F20=Right** to see the simulation results of the variance account.

This display appears when you select option 3 on the Account Assignment Rule Management menu. The examples below show the views of the display as they would appear after you enter simulation data.

```

AMIG401                Simulate Account Assignments
Type choices; then press Enter.

                                Simulation      Simulated
                                Data            Variance
Transaction type . . . . . aaA4
Warehouse . . . . . aA3
Item number . . . . . aaaaaaaaaA15
Item type . . . . . A
Item class . . . . . aaA4
Item accounting class . . . aA3
Order number . . . . . aaaaaA7
Order accounting class . . aA3
Reason code . . . . . aaaA5

Company number . . . . . : **
Account . . . . . : *****
    
```

```

AMIG401                Simulate Account Assignments
Type choices; then press Enter.

                                Simulation      Simulated   Simulated
                                Data            Charge      Offset
Transaction type . . . . . aaA4
Warehouse . . . . . aA3
Item number . . . . . aaaaaaaaaA15
Item type . . . . . A
Item class . . . . . aaA4
Item accounting class . . . aA3
Order number . . . . . aaaaaA7
Order accounting class . . aA3
Reason code . . . . . aaaA5

Company number . . . . . : **
Account . . . . . : *****

F1=Help          F3=Exit          F5=Refresh       F12=Cancel
F15=Rules        F16=Priority       F20=Right        F22=Toggle rules
    
```

What to do

To simulate assigning charge, offset, or variance accounts, type in the information in the **Simulation Data** fields and press **Enter**. The account assignments and the rules on which the assignment was based appear in the **Simulated Charge**, **Simulated Offset**, or **Simulated Variance** columns. Use **F20** to see the simulated results of the variance account.

[Contents](#)[Index](#)[Exit](#)

If accounts cannot be assigned to a transaction or an error is detected on this display, a warning message appears. You can press **Enter** to continue or use **F12** to cancel. If you use **F12**, the Account Assignment Rule Management menu appears.

Note: If you do not use variance accounts, you can set up a default account number in the account assignment rule for the transaction type to avoid getting a warning message.

Function keys

F1=Help shows information about this display. Pressing F1 or pressing the help key shows you the same information.

F3=Exit ignores any options or changes you typed on the current display, ends the current task, and returns to the display or menu where you started.

F5=Refresh resets the display to the original values that appeared before you made any changes. The data entry fields are restored to the current values stored in the system.

F12=Cancel ignores any options or changes you typed on the current display and causes the previous display to appear.

F15=Rules takes you to a rules maintenance session. The display that appears depends on whether you started a maintain rules session during the current maintenance or simulation session. If you have not started a rules maintenance session, you see the Specify Rules to Maintain display. If you have started a rules maintenance session, you see the display that preceded this display.

F16=Priority takes you to a rule priorities maintenance session. The display that appears depends on the following conditions:

AMIG601 Appears if a priority session has never been initiated from the current rules maintenance session and you use F16 on display AMIG501, AMIG502, AMIG511, or AMIG512.

AMIG602 Appears if you use F16 on display AMIG506, AMIG507, AMIG508, or AMIG510. This display also appears when you use F16 on display AMIG502 if you started a priority session during the current maintenance session and AMIG602 was the previous display.

AMIG606 or AMIG607 Appears if you started a priority session during the current rules maintenance session from display AMIG501, AMIG502, AMIG511, or AMIG512 and you were previously on display AMIG606 or AMIG607.

F19=Left shows information to the left of what you currently see. You can press F19 when you see More: < in the upper right part of the display.

F20=Right shows information to the right of what you currently see. You can press F20 when you see More: > in the upper right part of the display.

F22=Toggle rules alternates between rules for units and rules for natures. This function key is available only if International Financial Management (IFM) is installed and interfacing.

Contents	Index	Exit
--------------------------	-----------------------	----------------------

Fields

[?] appears next to a field name in the following field definitions to identify a field from which you can begin a master file search.

Transaction type. Code that indicates the kind of transaction.

For IM, the transaction types are:

CA	Cost adjustment
CL	Component transfer to line
CN	Component transfer to stores
CR	Average cost replace
CS	Standard cost replace
CU	Standard unit cost default replacement
IA	Inventory adjustment
IP	Planned manufacture issue
IS	Miscellaneous issue
IU	Unplanned component issue
IW	Interwarehouse issue
IX	Uncontrolled floor stock
MQ	Manufacturing item QC complete
PH	Physical inventory update
PQ	Purchase item QC complete
RC	Miscellaneous receipt
RM	Production receipt
RP	P.O. receipt to stock
RQ	Shelf life expired - reject
RS	Component return to stock
RW	Interwarehouse receipt
SA	Sales shipment
SC	Manufacturing component scrap
SM	Manufacturing order scrap
SP	Purchase order scrap
SQ	QC status change
SS	Scrap from stock
VR	Purchase return to vendor

Warehouse [?]. Code defined by your company that identifies the warehouse in which this item is currently stocked.

Item number [?]. Number of the item, which can be any raw material, manufactured or purchased part, subassembly, assembly, or end item.

Item Type. Code that best describes the type of item:

0	Phantom
1	Assembly or subassembly
2	Fabricated item
3	Raw material
4	Purchased item
9	User option (Special)
F	Feature
K	Kit

Item class. Code assigned by your company that identifies the class to which this item belongs. For example, STEL might mean items made of steel.

Contents	Index	Exit
--------------------------	-----------------------	----------------------

Item accounting class. Class, defined by your company, to group or classify items for accounting purposes.

Order number [?]. Control number assigned to the order.

Purchase order

A request sent to a vendor asking for goods or services. Has a prefix of 'P'.

Manufacturing order

An order issued to the factory to produce a component or assembly. Has a prefix of 'M'.

Schedule order

An authorization to produce an item on a specific production line over a specific time period. Has a prefix of 'S'.

Order accounting class. Class, defined by your company, to group or classify orders for accounting purposes.

Reason code. Code assigned by your company that indicates the reason for a transaction.

Company number. Unique identifier for a particular company.

Valid values for this field are 01-89. The company number identifies the company to which the sample transaction you entered is assigned. This field appears only after you enter simulated account data.

Account. Number assigned to the sample transaction you entered. This field appears only after you enter simulated account data. If International Financial Management (IFM) is interfacing, two fields (**Unit** and **Nature**) replace this field. Refer to the *IFM User's Guide* for additional information.

Contents	Index	Exit
--------------------------	-----------------------	----------------------

Option 4. Maintain Intercompany Accounts (AMIMB1)

Use this option to select intercompany records for maintenance and to create, change, copy, or delete the records selected.

If IFM is installed, this menu option is disabled. Refer to the *IFM User's Guide* for information about handling intercompany processing.

What information you need: The transaction type to be maintained, copied or deleted.

What reports are printed: Maintain Intercompany Accounts (AMVG1).

What forms you need: None.

The basic steps to maintain intercompany accounts follow each display.

[Contents](#)[Index](#)[Exit](#)

AMVG101–Specify Intercompany Accounts to Maintain

Use this display to select intercompany account records for maintenance.

This display appears when you select option 4 on the Account Assignment Rule Management menu.

```
AMVG101          Specify Intercompany Accounts to Maintain
Select Intercompany accounts to maintain; or press Enter.
Maintain primary company number . . . . . nn

F1=Help          F3=Exit          F5=Refresh
F21=Group copy   F22=Group delete
```

What to do

- To select intercompany account records for a specific company, type in the company number and press **Enter**. The Maintain Intercompany Accounts display (AMVG102) appears.
- To see all intercompany account records, press **Enter**. Do not type in a company number. The Maintain Intercompany Accounts display (AMVG102) appears.

Function keys

F1=Help shows information about this display. Pressing F1 or pressing the help key shows you the same information.

F3=Exit takes you to an Exit window.

F5=Refresh resets the display to the original values that appeared before you made any changes. The data entry fields are restored to the current values stored in the system.

F21=Group copy causes the Specify Intercompany Accounts to Copy display (AMVG106) to appear.

F22=Group delete causes the Specify Intercompany Accounts to Delete display (AMVG107) to appear.

Contents	Index	Exit
--------------------------	-----------------------	----------------------

MAINTAIN PRIMARY COMPANY NUMBER. Number of the company designated as the central company. The charge of an intercompany transaction is posted to the primary company and account.

Type in the primary company number.

AMVG102–Maintain Intercompany Accounts

Use this display to create, change, copy, and delete intercompany account records. The primary company selected on the Specify Intercompany Accounts to Maintain display (AMVG101) appears with as many secondary companies as were created for the primary company.

This display appears under the following conditions:

- When you press **Enter** on the Specify Intercompany Accounts to Maintain (Select) display (AMVG101) or on the Specify Intercompany Accounts to Delete display (AMVG107). If you specify a primary company to maintain, this display shows you a subsetted list of all the records that meet your selection criteria. If you do not specify a primary company, it shows you all the records in the file.
- When you press **Enter** on the Confirm Delete of Intercompany Accounts display (AMVG103). This display shows you the results of the deletions you requested.
- When you press **Enter** on the Specify Intercompany Accounts to Delete display (AMVG107). This display shows you a subsetted list of all the records for the primary company you specify and marks them for deletion. You may remove any record from the list that you do not want to delete by moving the cursor to the list entry and removing the 4.

```

AMVG102                Maintain Intercompany Accounts

Type options; then press Enter.
 1=Create  2=Change  3=Copy to create line  4=Delete      More  +
----- Primary -----      ----- Secondary -----
Option  Status  Company  Account  Company  Account
  A      **     A2      aaaaaaaaaA15  A2      aaaaaaaaaA15
  A      **     A2      aaaaaaaaaA15  A2      aaaaaaaaaA15

F1=Help      F3=Exit      F5=Refresh      F7=Backward
F8=Forward   F12=Cancel

```

What to do

- To create records, type a **1** in the **Option** field on the create line. Type in the requested information and press **Enter**.
- To change records, type a **2** in the **Option** field of the account record you want to change and press **Enter**.
- To copy records, type a **3** in the **Option** field of the account record you want to copy and press **Enter**. The copied record appears on the create line of the display, and a **1** appears in the **Option** field. If you want to, change the copied record information. Press **Enter**.

[Contents](#)[Index](#)[Exit](#)

- To select records for deletion, type a **4** in the **Option** field of the account record you want to delete and press **Enter**. The Confirm Delete of Intercompany Accounts display (AMVG103) appears.
- To return to the previous display without making any changes, use **F12**.

Function keys

F1=Help shows information about this display. Pressing F1 or pressing the help key shows you the same information.

F3=Exit takes you to an Exit window.

F5=Refresh resets the display to the original values that appeared before you made any changes. The data entry fields are restored to the current values stored in the system.

F7=Backward shows the previous set of entries or information on the display. You can press F7 when you see More: - in the upper right part of the display.

F8=Forward shows the next set of entries or information on the display. You can press F8 when you see More: + in the upper right part of the display.

F12=Cancel ignores any options or changes you typed on the current display and causes the previous display to appear.

F16=Priority takes you to a rule priorities maintenance session. The display that appears depends on the following conditions:

AMIG601

Appears if a priority session has never been initiated from the current rules maintenance session and you use F16 on display AMIG501, AMIG502, AMIG511, or AMIG512.

AMIG602

Appears if you use F16 on display AMIG506, AMIG507, AMIG508, or AMIG510. This display also appears when you use F16 on display AMIG502 if you started a priority session during the current maintenance session and AMIG602 was the previous display.

AMIG606 or AMIG607

Appears if you started a priority session during the current rules maintenance session from display AMIG501, AMIG502, AMIG511, or AMIG512 and you were previously on display AMIG606 or AMIG607.

Fields

[?] appears next to a field name in the following field definitions to identify a field from which you can begin a master file search.

You can tailor your search by typing a question mark (?) in a field and typing information in other fields. For example, to search for all accounts for a specific company enter the company number in the company field and a ? in the account field.

OPTION. Use this column to act on individual list entries. An option number represents each action you can take on this display. Type the option number next to the list entry you want to act upon and press **Enter**. You can type the same option

Contents	Index	Exit
--------------------------	-----------------------	----------------------

next to more than one entry at a time. Where more than one option is available, you can type different options next to different entries at the same time. After the first option is processed, the second option is processed, and so on. This field is required.

- 1 Create a new record. A valid company number/account number combination is required to complete this option. You can create a record only from the create line of the display.
- 2 Change a record.
- 3 Copy a record.
- 4 Delete a record.

STATUS. I indicates an invalid account number.

PRIMARY COMPANY [?]. Number of the company designated as the central company. The charge of an intercompany transaction is posted to the primary company and account. The field is required when you add a record.

If you use the master file search capability, all accounts in your General Ledger Master file appear for selection.

PRIMARY ACCOUNT [?]. Account number of the primary company used for intercompany accounting. The charge of an intercompany transaction is posted to the primary company and account. This field is required when you add a record.

If you use the master file search capability, only those account numbers for the company you typed in the **Company** field appear for selection. If you did not type in a company number, all accounts in your General Ledger Master file appear for selection.

SECONDARY COMPANY [?]. All companies other than the primary company, when using intercompany accounting. This field is required when you add a record.

If you use the master file search capability, all accounts in your General Ledger Master file appear for selection.

SECONDARY ACCOUNT [?]. Account number of the secondary company used for intercompany accounting. The offset of an intercompany transaction is posted to the secondary company and account.

If you use the master file search capability, only those account numbers for the company you typed in the **Company** field appear for selection. If you did not type in a company number, all accounts in your General Ledger Master file appear for selection. This field is required when you add a record.

[Contents](#)[Index](#)[Exit](#)

AMVG103–Confirm Delete of Intercompany Accounts

Use this display to delete the records presented. You can confirm the deletion of all records listed or return to the previous display without deleting any records. You

cannot make a selection on this display.

This display appears when you enter a 4 for one or more records on the Maintain Intercompany Accounts display (AMVG102).

```

AMVG103              Confirm Delete of Intercompany Accounts
Press Enter to confirm your choices for Delete.
Press F12=Cancel to return to change your choices.
                                     More:
      Status  ----- Primary -----      ----- Secondary -----
                Company      Account      Company      Account
                **          *****          **          *****

F1=Help          F7=Backward          F8=Forward          F12=Cancel
  
```

What to do

To delete the records on this display, press **Enter**. The records are deleted and the Maintain Intercompany Accounts display (AMVG102) appears.

Function keys

F1=Help shows information about this display. Pressing F1 or pressing the help key shows you the same information.

F7=Backward shows the previous set of entries or information on the display. You can press F7 when you see More: - in the upper right part of the display.

F8=Forward shows the next set of entries or information on the display. You can press **F8** when you see **More: +** in the upper right part of the display.

Note: F7 and F8 allow you to see additional data on this display. To see additional information about messages, position the cursor on the message and use the Roll keys.

F12=Cancel ignores any options or changes you typed on the current display and causes the previous display to appear.

Contents	Index	Exit
--------------------------	-----------------------	----------------------

Fields

STATUS. Indicates an invalid account number.

PRIMARY COMPANY. Number of the company designated as the central company. The charge of an intercompany transaction is posted to the primary company and account.

PRIMARY ACCOUNT. Account number of the primary company used for intercompany accounting. The charge of an intercompany transaction is posted to the primary company and account.

SECONDARY COMPANY. All companies other than the primary company, when using intercompany accounting.

SECONDARY ACCOUNT. Account number of the secondary company used for intercompany accounting. The offset of an intercompany transaction is posted to the secondary company and account.

[Contents](#)[Index](#)[Exit](#)

AMVG106—Specify Intercompany Accounts to Copy

Use this display to copy a group of intercompany account records for maintenance.

This display appears when you use **F21** on the Specify Intercompany Accounts to Maintain (Select) display (AMVG101).

AMVG106 Specify Intercompany Accounts to Copy
Select Intercompany accounts to copy; or press Enter.
Copy primary company number from . . nn to nn

F1=Help F3=Exit F5=Refresh F12=Cancel

What to do

To copy a group of intercompany account records, type in the number of the primary company you want to copy records from and the number of the primary company to which you want to copy the records. Press **Enter**. The Maintain Intercompany Accounts display (AMVG102) appears with the copied records.

Function keys

F1=Help shows information about this display. Pressing F1 or pressing the help key shows you the same information.

F3=Exit takes you to an Exit window.

F5=Refresh resets the display to the original values that appeared before you made any changes. The data entry fields are restored to the current values stored in the system.

F12=Cancel ignores any options or changes you typed on the current display and causes the previous display to appear.

Fields

COPY PRIMARY COMPANY NUMBER. Number of the company designated as the central company. The charge of an intercompany transaction is posted to the primary company and account.

Contents	Index	Exit
--------------------------	-----------------------	----------------------

AMVG107–Specify Intercompany Accounts to Delete

Use this display to delete a group of intercompany account records.

This display appears when you use **F22** on the Specify Intercompany Accounts to Maintain (Select) display (AMVG101).

```

AMVG107           Specify Intercompany Accounts to Delete
Select Intercompany accounts to delete; or press Enter.
Delete primary company number . . . . . nn

F1=Help           F3=Exit           F5=Refresh           F12=Cancel
```

What to do

To delete a group of intercompany accounts, type in the range values you want to use and press **Enter**. The Maintain Intercompany Accounts display (AMVG102) appears.

Function keys

F1=Help shows information about this display. Pressing F1 or pressing the help key shows you the same information.

F3=Exit takes you to an Exit window.

F5=Refresh resets the display to the original values that appeared before you made any changes. The data entry fields are restored to the current values stored in the system.

F12=Cancel ignores any options or changes you typed on the current display and causes the previous display to appear.

Fields

DELETE PRIMARY COMPANY NUMBER. Number of the company designated as the central company. The charge of an intercompany transaction is posted to the primary company and account. Type in the primary company number for the intercompany account records you want to delete.

[Contents](#)[Index](#)[Exit](#)

Exit Maintain Intercompany Accounts

Use this window to exit the Maintain Intercompany Accounts option. The window shows the number of records added, changed, and deleted during the current session.

This window appears when you use **F3** on displays AMVG101, AMVG102, AMVG106, or AMVG107.

```

AMVG101          Specify Intercompany Accounts to Maintain

Select Intercompany |-----*-----*
Maintain primary co |   Exit Maintain Intercompany Accounts
                    | Press F3=Exit to end; or press F12=Cancel to return.
                    | Records added. . . . .:   *****
                    | Records changed. . . . .:  *****
                    | Records deleted. . . . .:  *****
                    | F1=Help  F3=Exit  F12=Cancel
                    |-----*-----*

F1=Help          F3=Exit          F5=Refresh          F7=Backward
F8=Forward       F12=Cancel
  
```

What to do

- To leave the intercompany account maintenance session, use **F3**. The Account Assignment Rule Management menu appears.
- To return to the previous display, use **F12**.

Function keys

F1=Help shows information about this display. Pressing F1 or pressing the help key shows you the same information.

F3=Exit allows you to leave this task. The display or menu where you started appears.

F12=Cancel causes the previous display to appear.

Fields

RECORDS ADDED. Number of records added during this session.

RECORDS CHANGED. Number of records changed during this session.

RECORDS DELETED. Number of records deleted during this session.

Contents	Index	Exit
--------------------------	-----------------------	----------------------

Option 5. List Rules (AMIMB1)

Use this option to generate a report showing the rules in the Account Assignment Rules file.

What information you need: The transaction type.

What reports are printed: Rules List (AMIGS).

What forms you need: None.

The basic steps to select the rules to appear on the Rules List follow the display.

[Contents](#)[Index](#)[Exit](#)

AMIG801–List Rules

Use this display to select the rules to appear on the Rules List.

This display appears when you select option 5 on the Account Assignment Rule Management menu.

For the From and To ranges on this display, the value you type in the To field must be greater than or equal to the value you type in the From field when both fields are used. The range begins with and includes the value you type in the From field; it ends with and includes the value you type in the To field.

If you type a value in the From field only, the system ends the range with the highest value for that field. If you type a value in the To field only, the system begins the range with the lowest value for that field. If you want to select records by a single value instead of a range, use that value in both the From and To fields.

AMIG801 List Rules

Type choices; then press Enter.

Include only these ranges (optional):
 From transaction type . . . aaA4
 To transaction type . . . aaA4

F1=Help
F3=Exit
F5=Refresh
F12=Cancel

What to do

- To limit the rules shown on the Rules List, type in the range values you want to use and press **Enter**. The Account Assignment Rule Management menu appears.
- To produce a report that shows all rules, press **Enter**. Do not type anything on this display. The Account Assignment Rule Management menu appears.

Function keys

F1=Help shows information about this display. Pressing F1 or pressing the help key shows you the same information.

F3=Exit ignores any options or changes you typed on the current display, ends the current task, and returns to the display or menu where you started.

Contents	Index	Exit
-----------------	--------------	-------------

F5=Refresh resets the display to the original values that appeared before you made any changes. The data entry fields are restored to the current values stored in the system.

F12=Cancel ignores any options or changes you typed on the current display and causes the previous display to appear.

Fields

Transaction type. Code that indicates the kind of transaction.

Type in the transaction type you want to use to select records for the report.

For IM, the transaction types are:

CA	Cost adjustment
CL	Component transfer to line
CN	Component transfer to stores
CR	Average cost replace
CS	Standard cost replace
CU	Standard unit cost default replacement
IA	Inventory adjustment
IP	Planned manufacture issue
IS	Miscellaneous issue
IU	Unplanned component issue
IW	Interwarehouse issue
IX	Uncontrolled floor stock
MQ	Manufacturing item QC complete
PH	Physical inventory update
PQ	Purchase item QC complete
RC	Miscellaneous receipt
RM	Production receipt
RP	P.O. receipt to stock
RQ	Shelf life expired - reject
RS	Component return to stock
RW	Interwarehouse receipt
SA	Sales shipment
SC	Manufacturing component scrap
SM	Manufacturing order scrap
SP	Purchase order scrap
SQ	QC status change
SS	Scrap from stock
VR	Purchase return to vendor

Contents	Index	Exit
--------------------------	-----------------------	----------------------

Option 6. List Rule Priorities (AMIMB1)

Use this option to generate a report showing the rule priorities in the Account Assignment Rules Priority file.

What information you need: The transaction type.

What reports are printed: Rule Priorities List (AMIGR).

What forms you need: None.

The basic steps to select the rule priorities to appear on Rule Priorities List follow the display.

[Contents](#)[Index](#)[Exit](#)

AMIG901–List Rule Priorities

Use this display to select the rule priorities to appear on the Rule Priorities List (AMIGR).

This display appears when you select option 6 on the Account Assignment Rule Management menu.

For the From and To ranges on this display, the value you type in the To field must be greater than or equal to the value you type in the From field when both fields are used. The range begins with and includes the value you type in the From field; it ends with and includes the value you type in the To field.

If you type a value in the From field only, the system ends the range with the highest value for that field. If you type a value in the To field only, the system begins the range with the lowest value for that field. If you want to select records by a single value instead of a range, use that value in both the From and To fields.

```

AMIG901                List Rule Priorities

Type choices; then press Enter.

Include only this range (optional):
  From transaction type . . . aaA4
  To transaction type . . . aaA4

F1=Help      F3=Exit      F5=Refresh      F12=Cancel
  
```

What to do

- To limit the rule priorities that appear on the Rule Priorities List, type in the range value you want to use and press **Enter**. The Account Assignment Rule Management menu appears.
- To produce a report that shows all rule priorities, press **Enter**. Do not type anything on this display. The Account Assignment Rule Management menu appears.

Function keys

F1=Help shows information about this display. Pressing F1 or pressing the help key shows you the same information.

F3=Exit ignores any options or changes you typed on the current display, ends the current task, and returns to the display or menu where you started.

Contents	Index	Exit
-----------------	--------------	-------------

F5=Refresh resets the display to the original values that appeared before you made any changes. The data entry fields are restored to the current values stored in the system.

F12=Cancel ignores any options or changes you typed on the current display and causes the previous display to appear.

Fields

Transaction type. Code that indicates the kind of transaction.

Type in the transaction type you want to use to select priorities.

For IM, the transaction types are:

CA	Cost adjustment
CL	Component transfer to line
CN	Component transfer to stores
CR	Average cost replace
CS	Standard cost replace
CU	Standard unit cost default replacement
IA	Inventory adjustment
IP	Planned manufacture issue
IS	Miscellaneous issue
IU	Unplanned component issue
IW	Interwarehouse issue
IX	Uncontrolled floor stock
MQ	Manufacturing item QC complete
PH	Physical inventory update
PQ	Purchase item QC complete
RC	Miscellaneous receipt
RM	Production receipt
RP	P.O. receipt to stock
RQ	Shelf life expired - reject
RS	Component return to stock
RW	Interwarehouse receipt
SA	Sales shipment
SC	Manufacturing component scrap
SM	Manufacturing order scrap
SP	Purchase order scrap
SQ	QC status change
SS	Scrap from stock
VR	Purchase return to vendor

You can change the descriptions for the transaction types through the Maintain Interface Control option. The descriptions listed above are defaults shipped with this product.

Contents	Index	Exit
--------------------------	-----------------------	----------------------

Option 7. List Intercompany Accounts (AMIMB1)

Use this option to list the records in the Intercompany Account file.

If IFM is installed, this menu option is disabled. Refer to the IFM User's Guide for information about handling intercompany processing.

What information you need: The company number.

What reports are printed: Intercompany Accounts List (AMVGY).

What forms you need: None.

The basic steps to select the intercompany accounts to appear on the Intercompany Accounts List follow the display.

[Contents](#)[Index](#)[Exit](#)

AMVG201–List Intercompany Accounts

Use this display to select the companies to appear on the Intercompany Accounts List.

This display appears when you select option 7 on the Account Assignment Rule Management menu.

For the **From** and **To** ranges on this display, the value you type in the **To** field must be greater than or equal to the value you type in the **From** field when both fields are used. The range begins with and includes the value you type in the **From** field; it ends with and includes the value you type in the **To** field.

If you type a value in the **From** field only, the system ends the range with the highest value for that field. If you type a value in the **To** field only, the system begins the range with the lowest value for that field. If you want to select records by a single value instead of a range, use that value in both the **From** and **To** fields.

```

AMVG201                List Intercompany Accounts
Type choices; then press Enter.
Include only this range (optional):
  From company number . . . . . nn
  To company number . . . . . nn

F1=Help      F3=Exit      F5=Refresh    F12=Cancel
  
```

What to do

- To limit the companies on the Intercompany Accounts List, type in the range of values you want to use and press **Enter**. The Account Assignment Rule Management menu appears.
- To produce a report that shows all intercompany account records, press **Enter**. Do not type anything on this display. The Account Assignment Rule Management menu appears.

Function keys

F1=Help shows information about this display. Pressing **F1** or pressing the help key shows you the same information.

Contents	Index	Exit
--------------------------	-----------------------	----------------------

F3=Exit ignores any options or changes you typed on the current display, ends the current task, and returns to the display or menu where you started.

F5=Refresh resets the display to the original values that appeared before you made any changes. The data entry fields are restored to the current values stored in the system.

F12=Cancel ignores any options or changes you typed on the current display and causes the previous display to appear.

Fields

Company number. Unique identifier for a particular company. Type the primary company numbers you want to use to select intercompany account records.

Contents	Index	Exit
--------------------------	-----------------------	----------------------

Option 1. Assign Accounts (AMIMB2)

Use this option to select the transaction types to which you will assign account numbers.

What information you need: The field information for the From/To fields, if you want to limit the selection range.

What reports are printed: Account Assignment Register (AMIGZ).

What forms you need: None.

The basic steps to assign account numbers follow each display.

AMIG101–Assign Accounts

Use this display to select transaction types to which account numbers are to be assigned. You can also list the contents of the Inventory Management Transaction (INVTXN) file. Listing the file does not change the account assignments.

A transaction type appears on this display only if the following conditions have been met:

- You have used the Maintain Interface Control File option on the General Ledger Management menu (AMIMB3) to specify which transactions you want to send to General Ledger or IFM.
- You have performed transaction processing to cause those transactions to be saved.

This display appears when you select option 1 on the Transaction Account Assignment menu.

```

AMIG101                               Assign Accounts

Select processing options.
Assign accounts . . . . . n      1=Unassigned  2=All  3=List
Account assignment reporting . . . n      0=No    1=Yes
Mode . . . . . n      1=Batch  2=Interactive

Type options; then press Enter.
1=Select                               (Subsetting is active)  More: - +

----- Transaction -----
Opt  Type  Description                               Assigned  Unassigned
n    ****  ****                               *****  *****
n    ****  ****                               *****  *****

F1=Help      F3=Exit      F5=Refresh   F7=Backward
F8=Forward   F12=Cancel  F13=Select all F17=Subset
    
```

What to do

- To assign account numbers to unassigned transaction types, type **1** in the **Assign accounts** field and press **Enter**. The Assign Accounts display appears again.
Note: If Maintenance Management System (MMS) is interfacing, you must take this option to bypass the MMS transactions. MMS transactions already have accounts assigned.
- To assign all transaction types, previously assigned or not, type **2** in the **Assign accounts** field and press **Enter**. The Assign Accounts display appears again.
- To list the contents of the INVTXN file, type **3** in the **Assign accounts** field, type **1** in the **Account assignment reporting** field, and type **1** in the **Opt** field for each transaction type you want to list. Press **Enter**. The Assign Accounts display appears again.

Contents	Index	Exit
-----------------	--------------	-------------

- To print the Account Assignment Register, type **1** in the **Account assignment reporting** field. The Assign Accounts display appears again.
- To select specific transaction types, type **1** in the **Opt** field and press **Enter**.
- To select all transaction types, use **F13**.

Function keys

F1=Help shows information about this display. Pressing F1 or pressing the help key shows you the same information.

F5=Refresh resets the display to the original values that appeared before you made any changes. The data entry fields are restored to the current values stored in the system.

F7=Backward shows the previous set of entries or information on the display. You can press F7 when you see More: - in the upper right part of the display.

F8=Forward shows the next set of entries or information on the display. You can press F8 when you see More: + in the upper right part of the display.

Note: F7 and F8 allow you to see additional data on this display. To see additional information about messages, position the cursor on the message and use the Roll keys.

F12=Cancel ignores any options or changes you typed on the current display and causes the previous display to appear.

F13=Select all puts 1 in the option field next to all entries in the list to mark the entries for selection. You can remove individual entries from selection by deleting the 1.

F17=Subset shows you a Specify display where you can create a subset of the list of entries that appear on this display. You can narrow the list down to a smaller group that contains only those entries that meet all the criteria you enter.

Fields

Assign accounts. Value that indicates which transactions are to have accounts assigned or whether you want to list transactions without assigning accounts.

- 1** Unassigned (default). Assign account numbers to transaction records that do not have account numbers assigned. (If MMS is interfacing, you must take this option to bypass the MMS transactions. MMS transactions already have accounts assigned.)
- 2** All. Assign account numbers to all transaction records. If the transaction records have account numbers already assigned, they are reassigned. If the transaction records do not have account numbers assigned, they are assigned.
- 3** List. Print Account Assignment Register for the range options entered. Transaction records are not updated.

This field is required.

Account assignment reporting. Code that indicates whether the Account Assignment Register prints or not:

Contents	Index	Exit
--------------------------	-----------------------	----------------------

- 0** No (default). The Account Assignment Register is not created.
1 Yes. The Account Assignment Register is created.

This field is required.

Mode. Value that indicates whether processing will be scheduled by the system at a later time (batch) or immediately (interactive).

- 1** Batch (default)
2 Interactive

This field is required.

Opt. Use this column to act on individual list entries. An option number represents each action you can take on this display. Type the option number next to the list entry you want to act upon and press **Enter**. You can type the same option next to more than one entry at a time. This field is required.

Transaction Type. Code that indicates the kind of transaction.

For IM, the transaction types are:

- CA** Cost adjustment
- CL** Component transfer to line
- CN** Component transfer to stores
- CR** Average cost replace
- CS** Standard cost replace
- CU** Standard unit cost default replacement
- IA** Inventory adjustment
- IP** Planned manufacture issue
- IS** Miscellaneous issue
- IU** Unplanned component issue
- IW** Interwarehouse issue
- IX** Uncontrolled floor stock
- MQ** Manufacturing item QC complete
- PH** Physical inventory update
- PQ** Purchase item QC complete
- RC** Miscellaneous receipt
- RM** Production receipt
- RP** P.O. receipt to stock
- RQ** Shelf life expired - reject
- RS** Component return to stock
- RW** Interwarehouse receipt
- SA** Sales shipment
- SC** Manufacturing component scrap
- SM** Manufacturing order scrap
- SP** Purchase order scrap
- SQ** QC status change
- SS** Scrap from stock
- VR** Purchase return to vendor

For MMS, the transaction types are:

- CA** Cost adjustment
- IA** Inventory adjustment
- IP** Planned manufacture issue
- IW** Interwarehouse issue

Contents	Index	Exit
--------------------------	-----------------------	----------------------

RP	P.O. receipt to stock
RW	Interwarehouse receipt
SP	Purchase order scrap
VR	Purchase return to vendor

Transaction Description. Description of a specific transaction type.

You can change the descriptions for transaction types through the Maintain Interface Control option. The descriptions listed above are defaults shipped with this product.

Assigned. Total number of records for a transaction type that have been assigned account numbers.

A transaction record is specified as assigned when at least two of the following account types are assigned:

- Charge
- Offset
- Variance

Unassigned. Number of records for a transaction type that have not been assigned account numbers.

A transaction is unassigned if these conditions exist:

- Account assignment was not run for saved transactions
- Account assignment was run, but the account number was not assigned to at least two of the following account types:
 - Charge
 - Offset
 - Variance

[Contents](#)[Index](#)[Exit](#)

AMIG102—Specify Transactions to Assign

Use this display to limit the transaction records that appear on the Assign Accounts display.

This display appears when you use **F17** on the Assign Accounts display (AMIG101).

For the From and To ranges on this display, the value you type in the To field must be greater than or equal to the value you type in the From field when both fields are used. The range begins with and includes the value you type in the From field; it ends with and includes the value you type in the To field.

If you type a value in the From field only, the system ends the range with the highest value for that field. If you type a value in the To field only, the system begins the range with the lowest value for that field. If you want to select records by a single value instead of a range, use that value in both the From and To fields.

```

AMIG102                Specify Transactions to Assign

Type choices; then press Enter.

Include only these ranges (optional):   From           To
Date . . . . . nn/nn/nn                nn/nn/nn
Warehouse . . . . . aA3                  aA3
Item number . . . . . aaaaaaaaaaaaaA15   aaaaaaaaaaaaaA15
Item type . . . . . A                      A
Item class . . . . . aaA4                  aaA4
Item accounting class . . . . . aA3        aA3
Order number . . . . . aaaaaA7            aaaaaA7
Order accounting class . . . . . aA3        aA3
Reason code . . . . . aaaA5                aaaA5

F1=Help           F3=Exit           F5=Refresh       F12=Cancel
  
```

What to do

To limit the list of transaction records, type in the range values you want to use and press **Enter**. The Assign Accounts display (AMIG101) appears.

Function keys

F1=Help shows information about this display. Pressing **F1** or pressing the help key shows you the same information.

F3=Exit ignores any options or changes you typed on the current display, ends the current task, and returns to the display or menu where you started.

F5=Refresh resets the display to the original values that appeared before you made any changes. The data entry fields are restored to the current values stored in the system.

Contents	Index	Exit
--------------------------	-----------------------	----------------------

F12=Cancel ignores any options or changes you typed on the current display and causes the previous display to appear.

Fields

[?] appears next to a field name in the following field definitions to identify a field from which you can begin a master file search.

Date. The transaction date of the transaction.

Warehouse [?]. Code defined by your company that identifies the warehouse in which this item is currently stocked.

Item number [?]. Number of the item, which can be any raw material, manufactured or purchased part, subassembly, assembly, or end item.

Item type. Code that best describes the type of item:

0	Phantom
1	Assembly or subassembly
2	Fabricated item
3	Raw material
4	Purchased item
9	User option (Special)
F	Feature
K	Kit

Item class. Code assigned by your company that identifies the class to which this item belongs. For example, STEL might mean items made of steel.

Item accounting class. Class, defined by your company, to group or classify items for accounting purposes.

Order number [?]. Control number assigned to the order.

Purchase order

A request sent to a vendor asking for goods or services. Has a prefix of 'P'.

Manufacturing order

An order issued to the factory to produce a component or assembly. Has a prefix of 'M'.

Schedule order

An authorization to produce an item on a specific production line over a specific time period. Has a prefix of 'S'.

This is available only if REP and IM are interfacing.

Order accounting class. Class, defined by your company, to group or classify orders for accounting purposes.

Reason code. Code assigned by your company that indicates the reason for a transaction.

[Contents](#)[Index](#)[Exit](#)

Option 2. Edit Assigned Accounts (AMIMB2)

Use this option to override accounts assigned by the system, and to distribute amounts to multiple account numbers.

What information you need:

- The field information for the **From/To** fields, if you want to limit the range of account numbers.
- The company and account number, if you are changing account numbers using the Change Accounts window.
- The account type, company number, account number, and amount information, if you are splitting accounts using the Split Assigned Accounts window.

What reports are printed: Edit Assigned Accounts Register (AMIG2).

What forms you need: None.

The basic steps to change and split accounts follow each display.

Contents	Index	Exit
--------------------------	-----------------------	----------------------

AMIG201–Edit Assigned Accounts

Use this display to select transaction types for which you want to edit records on display AMIG202. The transaction types that appear on this display are only those that have records with assigned account numbers for at least two account types (charge, offset, or variance).

This display appears when you select option 2 on the Transaction Account Assignment menu.

```

AMIG201                      Edit Assigned Accounts

Select processing options.
  Only invalid accounts . . . . . n      0=No 1=Yes
  Only multiple company . . . . . n      0=No 1=Yes

Type options; then press Enter.
1=Select
----- Transaction -----
Opt  Type  Description                Assigned Invalid Mult-Co
n    ****  *****
n    ****  *****

F1=Help      F3=Exit      F5=Refresh      F7=Backward
F8=Forward   F13=Select all
    
```

What to do

- To limit the number of records to appear for editing, type **1** in the **Only invalid accounts** field or in the **Only multiple company** field. If you type 0 in these fields, then all records for the transaction type you select appear for editing.
- To select specific transaction types, type **1** in the **Opt** field and press **Enter**.
- To select all transaction types, use **F13**.

The Edit Assigned Accounts display (AMIG202) appears.

Function keys

F1=Help shows information about this display. Pressing F1 or pressing the help key shows you the same information.

F5=Refresh resets the display to the original values that appeared before you made any changes. The data entry fields are restored to the current values stored in the system.

F7=Backward shows the previous set of entries or information on the display. You can press F7 when you see More: - in the upper right part of the display.

Contents	Index	Exit
--------------------------	-----------------------	----------------------

F8=Forward shows the next set of entries or information on the display. You can press F8 when you see More: + in the upper right part of the display.

Note: F7 and F8 allow you to see additional data on this display. To see additional information about messages, position the cursor on the message and use the Roll keys.

F13=Select all puts 1 in the option field next to all entries in the list to mark the entries for selection. You can remove individual entries from selection by deleting the 1.

Fields

Only invalid accounts. Code that indicates whether invalid transactions are shown or not:

- 0** No (default). All transactions are shown according to the selections made on the display.
- 1** Yes. Only transactions that have invalid account numbers.

This field is required. Invalid records are those that have been assigned general ledger accounts but the account does not exist in General Ledger Master or IFM.

Only multiple company. Code that indicates whether multi-company transactions are shown or not:

- 0** No (default). All transactions are shown according to the selections made on this display.
- 1** Yes. Only multi-company transactions are shown.

This field is required.

Opt. Use this column to act on individual list entries. An option number represents each action you can take on this display. Type the option number next to the list entry you want to act upon and press **Enter**. You can type the same option next to more than one entry at a time. This field is required.

Use the following:

- 1** Select transaction types for which you want to change assigned account numbers or to split the transaction amount into more than one account.

Transaction Type. Code that indicates the kind of transaction.

Transaction description. Description of a specific transaction type.

Assigned. Number of records for a transaction type that have not been assigned account numbers.

A transaction is considered assigned when at least two of the following account types are assigned:

- Offset
- Charge
- Variance

Invalid. Total number of records with invalid account numbers.

Contents	Index	Exit
--------------------------	-----------------------	----------------------

A transaction has invalid account numbers when the account to be assigned has been deleted from the General Ledger Master file.

Multi-Co. [Total number of transactions with accounts assigned to more than one company.](#)

Contents	Index	Exit
--------------------------	-----------------------	----------------------

AMIG202–Edit Assigned Accounts

Use this display to override accounts assigned by the application. You can change the assigned accounts or split the transaction amounts to more than one account.

This display appears when you press **Enter** on the Edit Assigned Accounts (Select) display (AMIG201).

```

AMIG202                               Edit Assigned Accounts

Position to transaction . . . . . aaA4
Position to warehouse . . . . . aA3
Position to item number . . . . . aaaaaaaaaaaaaaaaaA15

Type options; then press Enter.
  2=Change  6=Split                      (Subsetted list active) More: - +
      Txn
Opt  Sts  Type  Whse  Number  Type  Class  AC  Number  Ac  Cl  Reason
n    **  ***   **  *****  *    ****  **  *****  **  ****
n    **  ***   **  *****  *    ****  **  *****  **  ****

F1=Help      F3=Exit      F5=Refresh   F7=Backward
F8=Forward   F12=Cancel   F17=Subset
    
```

What to do

- To change a record, type **2** in the **Opt** field and press **Enter**. The Change Accounts window appears.
- To split a record, type **6** in the **Opt** field and press **Enter**. The Split Assigned Accounts window appears.
- To return to display AMIG201 without updating any information, use **F12**.

Function keys

F1=Help shows information about this display. Pressing **F1** or pressing the help key shows you the same information.

F3=Exit takes you to an Exit window.

The Exit Edit Assigned Accounts window appears.

F5=Refresh resets the display to the original values that appeared before you made any changes. The data entry fields are restored to the current values stored in the system.

F7=Backward shows the previous set of entries or information on the display. You can press F7 when you see More: - in the upper right part of the display.

Contents	Index	Exit
-----------------	--------------	-------------

F7=Backward shows the previous set of entries or information on the display. You can press F7 when you see More: - in the upper right part of the display.

F8=Forward shows the next set of entries or information on the display. You can press F8 when you see More: + in the upper right part of the display.

Note: F7 and F8 allow you to see additional data on this display. To see additional information about messages, position the cursor on the message and use the Roll keys.

F12=Cancel ignores any options or changes you typed on the current display and causes the previous display to appear.

F17=Subset shows you a Specify display where you can create a subset of the list of entries that appear on this display. You can narrow the list down to a smaller group that contains only those entries that meet all the criteria you enter.

Fields

Position to. Type a value in one or more of the Position to fields to skip to a particular entry in the list of transactions. The first record matching your selection moves to the top of the list. If no entry matches your selection, the list begins with the entry immediately preceding the position you want.

You can enter information into the Txn Type field, the Whse field, the Item Number field, or any combination of these fields.

Opt. Use this column to act on individual list entries. An option number represents each action you can take on this display. Type the option number next to the list entry you want to act upon and press Enter. You can type the same option next to more than one entry at a time. Where more than one option is available, you can type different options next to different entries at the same time. After the first option is processed, the second option is processed, and so on.

This field is required.

Choose one of the following:

- 2** Change account information. If the record has not been previously split, the Change Accounts window appears. If the record has been previously split, the Split Assigned Accounts window appears.
- 6** Split an account. When you select this option, the Split Assigned Accounts window appears.

Sts. Code assigned to identify the status of a record.

I Invalid account
M Multi-company
S Split account

Txn Type. Code that indicates the kind of transaction.

For IM, the transaction types are:

CA Cost adjustment
CL Component transfer to line
CN Component transfer to stores

Contents	Index	Exit
-----------------	--------------	-------------

CR	Average cost replace
CS	Standard cost replace
CU	Standard unit cost default replacement
IA	Inventory adjustment
IP	Planned manufacture issue
IS	Miscellaneous issue
IU	Unplanned component issue
IW	Interwarehouse issue
IX	Uncontrolled floor stock
MQ	Manufacturing item QC complete
PH	Physical inventory update
PQ	Purchase item QC complete
RC	Miscellaneous receipt
RM	Production receipt
RP	P.O. receipt to stock
RQ	Shelf life expired - reject
RS	Component return to stock
RW	Interwarehouse receipt
SA	Sales shipment
SC	Manufacturing component scrap
SM	Manufacturing order scrap
SP	Purchase order scrap
SQ	QC status change
SS	Scrap from stock
VR	Purchase return to vendor

For MMS, the transaction types are:

CA	Cost adjustment
IA	Inventory adjustment
IP	Planned manufacture issue
IW	Interwarehouse issue
RP	P.O. receipt to stock
RW	Interwarehouse receipt
SP	Purchase order scrap
VR	Purchase return to vendor

Whse. Code defined by your company that identifies the warehouse in which this item is currently stocked.

Item Number. Number of the item, which can be any raw material, manufactured or purchased part, subassembly, assembly, or end item.

Item Type. Code that best describes the type of item:

0	Phantom
1	Assembly or subassembly
2	Fabricated item
3	Raw material
4	Purchased item
9	User option (Special)
F	Feature
K	Kit

Item Class. Code assigned by your company that identifies the class to which this item belongs. For example, STEL might mean items made of steel.

Contents	Index	Exit
--------------------------	-----------------------	----------------------

Item AC. Class, defined by your company, to group or classify items for accounting purposes.

Order Number. Control number assigned to the order.

Purchase order

A request sent to a vendor asking for goods or services. Has a prefix of 'P'.

Manufacturing order

An order issued to the factory to produce a component or assembly. Has a prefix of 'M'.

Schedule order

An authorization to produce an item on a specific production line over a specific time period. Has a prefix of 'S'.

This is available only if REP and IM are interfacing.

Order Ac Cl. Class, defined by your company, to group or classify orders for accounting purposes.

Reason Code. Code assigned by your company that indicates the reason for a transaction.

Change Accounts

Use this window to change the company and account number assigned to transaction records. The account type (charge, offset, or variance) does not appear if it has a zero amount.

If International Financial Management (IFM) is interfacing, this window shows unit and nature combinations instead of company and account combinations. Depending on account amounts, the window shows one of the following account type versions:

- Charge, offset, and variance
- Charge and offset
- Charge and variance
- Offset and variance

Refer to the *IFM User's Guide* for additional information.

This window appears when you type in a 2 beside a list entry to change the record on the Edit Assigned Accounts display (AMIG202).

The screenshot shows the AMIG202 'Edit Assigned Accounts' window. A sub-window titled 'Change Accounts' is open, displaying a table with columns for 'Charge', 'Co', 'Account', and 'Amount'. The table contains three rows: 'Charge' with 'nn' and 'aaaaaaaaaaaA15', 'Offset' with 'nn' and 'aaaaaaaaaaaA15', and 'Variance' with 'nn' and 'aaaaaaaaaaaA15'. The 'Amount' column shows asterisks and a decimal point. Below the table are function keys: F1=Help, F5=Refresh, and F12=Cancel. The main window also shows various options and status indicators.

What to do

- To change a record, type over the company and account information presented and press **Enter**. The Edit Assigned Accounts display (AMIG202) appears with the updated record. If you selected more than one transaction for processing, the next transaction appears when you press **Enter**.
- To return a transaction record to unassigned status, enter a blank or a 0 in the fields on this window and press **Enter**. The record counts are updated.
- To return to the previous display without updating any information, use **F12**.

Function keys

F1=Help shows information about this display. Pressing **F1** or pressing the help key shows you the same information.

Contents	Index	Exit
--------------------------	-----------------------	----------------------

F5=Refresh resets the display to the original values that appeared before you made any changes. The data entry fields are restored to the current values stored in the system.

F12=Cancel ignores any options or changes you typed on the current display and causes the previous display to appear.

Fields

[?] appears next to a field name in the following field definitions to identify a field from which you can begin a master file search.

You can tailor your search by typing a question mark (?) in a field and typing information in other fields. For example, to search for all accounts for a specific company enter the company number in the company field and a ? in the account field.

Charge. Company and account number combination to receive the charge associated with a specific transaction type.

Co [?]. Unique identifier for a particular company.

Type in the company number that you want to override the current company number. You can type in a company number only if you chose multiple company support during application tailoring.

If you use the master file search capability, all accounts appear for selection.

Account [?]. Account number to be assigned to the charge transaction.

Type in the account number that you want to override the current account.

If you use the master file search capability, only those account numbers for the company you typed in the Company field appear for selection. If you did not type in a company number, all accounts in your General Ledger Master file appear for selection.

Amount. Amount of the transaction.

You cannot change the information in this field.

Offset. Company and account number combination to receive the offset associated with a specific transaction type.

Co [?]. Unique identifier for a particular company.

Type in the company number that you want to override the current company number. You can type in a company number only if you chose multiple company support during application tailoring.

If you use the master file search capability, all accounts appear for selection.

Account [?]. Account number to be assigned to the offset transaction.

Type in the account number that you want to override the current account.

Contents	Index	Exit
--------------------------	-----------------------	----------------------

If you use the master file search capability, only those account numbers for the company you typed in the Company field appear for selection. If you did not type in a company number, all accounts in your General Ledger Master file appear for selection.

Amount. Amount of the transaction.

You cannot change the information in this field.

Variance. Company and account number combination to receive the variance associated with a specific transaction type.

Co [?]. Unique identifier for a particular company.

Type in the company number that you want to override the current company number. You can type in a company number only if you chose multiple company support during application tailoring.

If you use the master file search capability, all accounts appear for selection.

Account [?]. Account number to be assigned to the variance transaction.

Type in the account number that you want to override the current account.

If you use the master file search capability, only those account numbers for the company you typed in the Company field appear for selection. If you did not type in a company number, all accounts in your General Ledger Master file appear for selection.

Amount. Amount of variance for this transaction in the variance account.

You cannot change the information in this field.

[Contents](#)[Index](#)[Exit](#)

Split Assigned Accounts

Use this window to split a transaction amount into two or more accounts. The company, account, and amount information that appear are for the unsplit records.

If International Financial Management (IFM) is interfacing, this window shows unit and nature combinations instead of company and account combinations.

The Split Assigned Accounts window appears when you enter a 6 in the **Opt** field on the Edit Assigned Accounts display (AMIG202). The window is also opened if you enter a 2 in the **Opt** field on the Edit Assigned Accounts display (AMIG202) for a transaction record that has been split.

```

AMIG202                                Edit Assigned Accounts
-----*-----*-----*-----*-----*-----*-----*-----*-----*
Position to transact                    Split Assigned Accounts
Position to warehous
Position to item num                    Type options; then press Enter
                                         Account type  n  1=Charge  2=Offset  3=Variance
                                         More: +
Type options; then p                    Co      Account      Amount      Split Balance
2=Change  6=Split
                                         nn aaaaaaaaaaaaaA15 *****. **  nnnnnnnnnnnn.nn
                                         nn aaaaaaaaaaaaaA15 *****. **  nnnnnnnnnnnn.nn
                                         nn aaaaaaaaaaaaaA15 *****. **  nnnnnnnnnnnn.nn
Opt      Txn      Type      Whse
n      ***      ****      ***
                                         F1=Help      F5=Refresh   F7=Backward
                                         F8=Forward   F12=Cancel

F1=Help      F3=Exit      F5=Refresh   F7=Backward
F8=Forward   F12=Cancel   F17=Subset
  
```

What to do

- To split an account, type in the account type and press **Enter**. The company, account, and amount fields appear. Type in the company number, account number, and amount and press **Enter**. The split is created only when the Split Balance field shows a remaining balance equal to zero. If you selected more than one transaction for processing on display AMIG202, the next transaction appears when you press **Enter**; otherwise, display AMIG202 appears again.
- To remove a split account assignment, remove each entry for the transaction on this window and press **Enter**.
- When you split a transaction amount, the system generates a split record for the corresponding account type (charge, offset, or variance). When you remove the split that you created, the system automatically removes the system-generated split. You cannot directly remove the split account record created by the system.

Function keys

F1=Help shows information about this display. Pressing **F1** or pressing the help key shows you the same information.

Contents	Index	Exit
-----------------	--------------	-------------

F5=Refresh resets the display to the original values that appeared before you made any changes. The data entry fields are restored to the current values stored in the system.

F7=Backward shows the previous set of entries or information on the display. You can press **F7** when you see More: - in the upper right part of the display.

F8=Forward shows the next set of entries or information on the display. You can press **F8** when you see More: + in the upper right part of the display.

Note: **F7** and **F8** allow you to see additional data on this display. To see additional information about messages, position the cursor on the message and use the Roll keys.

F12=Cancel ignores any options or changes you typed on the current display and causes the previous display to appear.

Fields

[?] appears next to a field name in the following field definitions to identify a field from which you can begin a master file search.

You can tailor your search by typing a question mark (?) in a field and typing information in other fields. For example, to search for all accounts for a specific company enter the company number in the company field and a ? in the account field.

Account type.

- 1 Charge. Split charge accounts or change charge accounts already split.
- 2 Offset. Split offset accounts or change offset accounts already split.
- 3 Variance. Split variance accounts or change variance accounts already split.

Co [?]. Unique identifier for a particular company.

Type in the company number for the account the transaction is being split into. You can type in a company number only if you chose multiple company support during application tailoring.

If you use the master file search capability, all accounts appear for selection.

Account [?]. Account number assigned to the unsplit transaction amount.

Type in the account number to which you want to distribute an amount of the line item.

If you use the master file search capability, only those account numbers for the company you typed in the Company field appear for selection. If you did not type in a company number, all accounts in your General Ledger Master file appear for selection.

Amount. Type in the portion of the total amount of the original transaction you want to distribute to the corresponding account.

Split Balance. Transaction amount remaining to be distributed. The Split balance must equal zero for the split to be accepted.

[Contents](#)[Index](#)[Exit](#)

AMIG206—Specify Transactions to Edit

Use this display to limit the transaction records selected for editing on the Edit Assigned Accounts (AMIG202) display.

This display appears when you use **F17** on the Edit Assigned Accounts display (AMIG202).

If IFM is interfacing, unit and nature appear in place of company and account number.

For the From and To ranges on this display, the value you type in the To field must be greater than or equal to the value you type in the From field when both fields are used. The range begins with and includes the value you type in the From field; it ends with and includes the value you type in the To field.

If you type a value in the From field only, the system ends the range with the highest value for that field. If you type a value in the To field only, the system begins the range with the lowest value for that field. If you want to select records by a single value instead of a range, use that value in both the From and To fields.

```

AMIG206                      Specify Transactions to Edit

Type choices; then press Enter.

Include only these ranges (optional):
Account number . . . . . aaaaaaaaaaaaA15      aaaaaaaaaaaaA15
Date . . . . . nn/nn/nn                        nn/nn/nn
Amount . . . . . nnnnnnnnnn.nn                nnnnnnnnnn.nn
Warehouse . . . . . aA3                        aA3
Item number . . . . . aaaaaaaaaaaaA15         aaaaaaaaaaaaA15
Item type . . . . . A                          A
Item class . . . . . aaA4                      aaA4
Item accounting class . . . . . aA3           aA3
Order number . . . . . aaaaaA7                aaaaaA7
Order accounting class . . . . . aA3          aA3
Reason code . . . . . aaaA5                    aaaA5

F1=Help          F3=Exit          F5=Refresh          F12=Cancel
  
```

What to do

To limit the list of transaction records, type in the range values you want to use and press **Enter**. The Edit Assigned Accounts display (AMIG202) appears again.

Function keys

F1=Help shows information about this display. Pressing **F1** or pressing the help key shows you the same information.

F3=Exit takes you to an Exit window.

The Exit Edit Assigned Accounts window appears.

[Contents](#)[Index](#)[Exit](#)

F5=Refresh resets the display to the original values that appeared before you made any changes. The data entry fields are restored to the current values stored in the system.

F12=Cancel ignores any options or changes you typed on the current display and causes the previous display to appear.

Fields

[?] appears next to a field name in the following field definitions to identify a field from which you can begin a master file search.

Account number [?]. Account number assigned to the unsplit transaction amount.

Date. The transaction date of the transaction.

Amount. Amount of the original transaction or a dollar range.

Warehouse [?]. Code defined by your company that identifies the warehouse in which this item is currently stocked.

Item number [?]. Number of the item, which can be any raw material, manufactured or purchased part, subassembly, assembly, or end item.

Item type. Code that best describes the type of item:

0	Phantom
1	Assembly or subassembly
2	Fabricated item
3	Raw material
4	Purchased item
9	User option (Special)
F	Feature
K	Kit

Item class. Code assigned by your company that identifies the class to which this item belongs. For example, STEL might mean items made of steel.

Item accounting class. Class, defined by your company, to group or classify items for accounting purposes.

Order number [?]. Control number assigned to the order.

Purchase order

A request sent to a vendor asking for goods or services. Has a prefix of 'P'.

Manufacturing order

An order issued to the factory to produce a component or assembly. Has a prefix of 'M'.

Schedule order

An authorization to produce an item on a specific production line over a specific time period. Has a prefix of 'S'.

This is available only if REP and IM are interfacing.

Contents	Index	Exit
--------------------------	-----------------------	----------------------

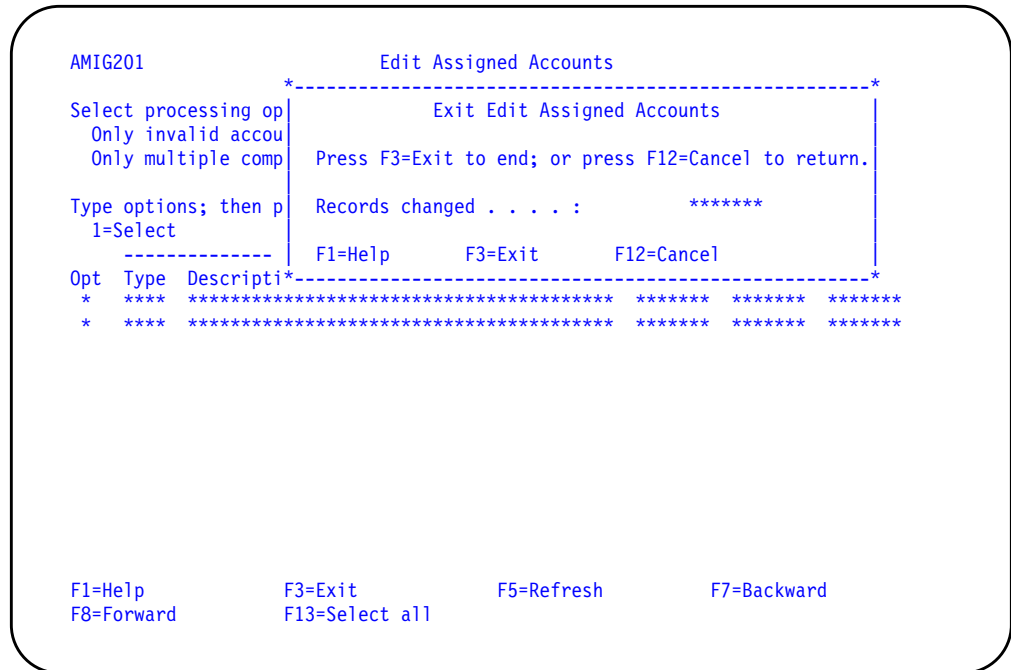
Order accounting class. Class, defined by your company, to group or classify orders for accounting purposes.

Reason code. Code assigned by your company that indicates the reason for a transaction.

Exit Edit Assigned Accounts

Use this window to exit the Edit Assigned Accounts option. The window shows the number of records changed during this work session.

This window appears when you use **F3** on displays AMIG201, AMIG202, and AMIG206.



What to do

- To leave the edit assigned accounts session, use **F3**. The Transaction Account Assignment menu appears.
- To return to the previous display, use **F12**.

Function keys

F1=Help shows information about this display. Pressing F1 or pressing the help key shows you the same information.

F3=Exit allows you to leave this task. The display or menu where you started appears.

F12=Cancel causes the previous display to appear.

Fields

Records changed. Number of records changed during this session.

Contents	Index	Exit
--------------------------	-----------------------	----------------------

Option 1. Create Ledger Entries (AMIMB3)

Use this option to create general ledger entries.

What information you need:

- The field information for the **From/To** fields, if you want to limit the selection range
- The journal entry date
- The primary company number.

What reports are printed: Create Ledger Entries Register (AMIGX).

What forms you need: None.

The basic steps to create ledger entries follow each display.

[Contents](#)[Index](#)[Exit](#)

AMIG301–Create Ledger Entries

Use this display to select the transaction types for which ledger entries will be created. You can indicate whether the ledger entries are summarized or whether multiple company transaction records are processed. When you press Enter, the batch job that creates the entries is initiated. If you specify both summarize entries and multiple company entries, the windows are opened consecutively. Your processing options are saved when you exit this function.

The transaction types that appear on this display are those that have been assigned account numbers for at least two account types (charge, offset, or variance).

This display appears when you select option 1 on the General Ledger Management menu.

```

AMIG301                      Create Ledger Entries

Select processing options.
Journal entry date . . . . . nn/nn/nn
Summarize entries . . . . . n      0=No  1=Yes
Multiple company entries . . . . . n      0=No  1=Yes

Type options; then press Enter.
1=Select                      (Subsetting is active) More: - +
----- Transaction -----
Opt  Type  Description                      Assigned  Invalid  Mult-Co
n    ****  *****                      *****  *****  *****
n    ****  *****                      *****  *****  *****

F1=Help      F3=Exit      F5=Refresh      F7=Backward
F8=Forward   F12=Cancel   F13=Select all  F17=Subset

```

What to do

- To summarize records for ledger entries in the Temporary General Ledger file, type in the Journal entry date or period, a **1** in the **Summarize entries** field, and a **1** in the **Opt** field and press **Enter**. The Select Summarization Options window appears.
- To identify the primary company for intercompany accounting, type a **1** in the **Multiple company entries** field and a **1** in the **Opt** field and press **Enter**. The Specify Primary Company window appears. Select the records you want to process. For IFM, this field is forced to 1.

Processing options are saved each time you successfully execute the Create Ledgers Entries options. Therefore, the next time you execute this option, your saved options are your defaults.

Function keys

F1=Help shows information about this display. Pressing **F1** or pressing the help key shows you the same information.

Contents	Index	Exit
-----------------	--------------	-------------

F3=Exit ignores any options or changes you typed on the current display, ends the current task, and returns to the display or menu where you started.

F5=Refresh resets the display to the original values that appeared before you made any changes. The data entry fields are restored to the current values stored in the system.

F7=Backward shows the previous set of entries or information on the display. You can press **F7** when you see More: - in the upper right part of the display.

F8=Forward shows the next set of entries or information on the display. You can press **F8** when you see More: + in the upper right part of the display.

Note: **F7** and **F8** allow you to see additional data on this display. To see additional information about messages, position the cursor on the message and use the Roll keys.

F12=Cancel ignores any options or changes you typed on the current display and causes the previous display to appear.

F13=Select all puts 1 in the option field next to all entries in the list to mark the entries for selection. You can remove individual entries from selection by deleting the 1.

F17=Subset shows you a Specify display where you can create a subset of the list of entries that appear on this display. You can narrow the list down to a smaller group that contains only those entries that meet all the criteria you enter.

Fields

Journal entry date. Valid date or period number used when posting the transactions to General Ledger.

This field is required. If, during application tailoring, you selected 12-month accounting, type in a date. If you selected period accounting, type in a period.

Summarize entries. Code that indicates whether or not you want to summarize your transaction records before they are written to the Temporary General Ledger file.

0 Do not summarize.
1 Summarize.

When you type 1, the Select Summarization Options window appears. If you specify both summarize entries and multiple company entries, the windows associated with those entries appear in that order. Your summarize entry options are saved for future processing when you exit this display.

This field is required.

Multiple company entries. Code that indicates whether or not you want to process multiple company transactions.

0 Do not process multiple company transactions
1 Process multiple company transactions

When you type 1, the Specify Primary Company window appears. If you specify both summarize entries and multiple company entries, the windows associated with those

Contents	Index	Exit
-----------------	--------------	-------------

entries appear in that order. Your multiple company entries options are saved for future processing when you exit this display.

This field appears and is required only if you selected multiple company support during application tailoring. If International Financial Management (IFM) is installed and interfacing, the field is forced to 1 and the Specific Primary Company window does not appear.

Opt. Use this column to act on individual list entries. An option number represents each action you can take on this display. Type the option number next to the list entry you want to act upon and press **Enter**. You can type the same option next to more than one entry at a time. Where more than one option is available, you can type different options next to different entries at the same time. After the first option is processed, the second option is processed, and so on.

This field is required.

Use the following:

- 1 Select transaction types for which you want to create ledger entries in the Temporary General Ledger file.

Transaction Type. Code that indicates the kind of transaction.

For IM, the transaction types are:

CA	Cost adjustment
CL	Component transfer to line
CN	Component transfer to stores
CR	Average cost replace
CS	Standard cost replace
CU	Standard unit cost default replacement
IA	Inventory adjustment
IP	Planned manufacture issue
IS	Miscellaneous issue
IU	Unplanned component issue
IW	Interwarehouse issue
IX	Uncontrolled floor stock
MQ	Manufacturing item QC complete
PH	Physical inventory update
PQ	Purchase item QC complete
RC	Miscellaneous receipt
RM	Production receipt
RP	P.O. receipt to stock
RQ	Shelf life expired - reject
RS	Component return to stock
RW	Interwarehouse receipt
SA	Sales shipment
SC	Manufacturing component scrap
SM	Manufacturing order scrap
SP	Purchase order scrap
SQ	QC status change
SS	Scrap from stock
VR	Purchase return to vendor

For MMS, the transaction types are:

CA	Cost adjustment
-----------	-----------------

Contents	Index	Exit
--------------------------	-----------------------	----------------------

IA	Inventory adjustment
IP	Planned manufacture issue
IW	Interwarehouse issue
RP	P.O. receipt to stock
RW	Interwarehouse receipt
SP	Purchase order scrap
VR	Purchase return to vendor

Transaction Description. Description of a specific transaction type.

You can change the descriptions for transaction types through the Maintain Interface Control option. The descriptions listed above are defaults shipped with this product.

Assigned. Number of records for a transaction type that have not been assigned account numbers

A transaction is considered assigned when at least two of the following account types are assigned:

- Offset
- Charge
- Variance

Invalid. Total number of records with invalid account numbers.

A transaction has invalid account numbers when the account to be assigned has been deleted from the General Ledger Master file.

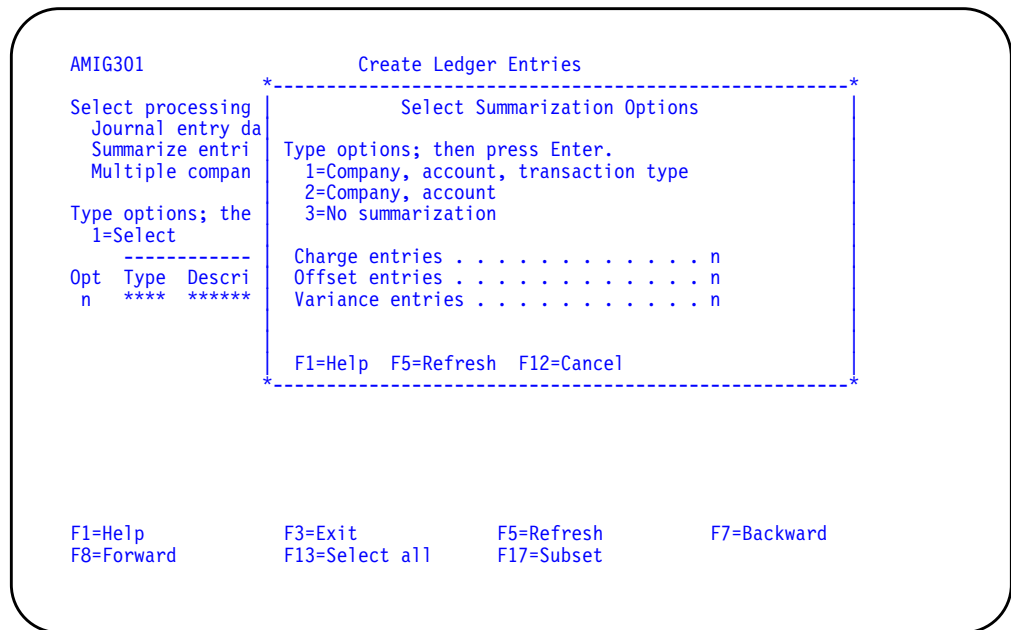
Multi-Co. Total number of records of a transaction type that have multiple company accounts.

Select Summarization Options

Use this window to summarize selected transaction records before they are written to the Temporary General Ledger file (TEMGEN).

This window appears when you type in a 1 in the Summarize entries field on the Create Ledger Entries display (AMIG301).

If IFM is interfacing, option 1 appears as Unit, nature, ++. Option 2 appears as Unit, nature.



What to do

To select summarization options, type a **1**, **2**, or **3** and press **Enter**. If you also selected option 1 in the **Multiple company entries** field on display AMIG301, the Specify Primary Company window appears; otherwise display AMIG301 appears again.

Function keys

F1=Help shows information about this display. Pressing F1 or pressing the help key shows you the same information.

F5=Refresh resets the display to the original values that appeared before you made any changes. The data entry fields are restored to the current values stored in the system.

F12=Cancel ignores any options or changes you typed on the current display and causes the previous display to appear.

[Contents](#)[Index](#)[Exit](#)

Fields

Charge entries. Type in one of the following to indicate the type of summarization you want for charge entries.

- 1 Company, account, transaction type
- 2 Company, account
- 3 No summarization

Offset entries. Type in one of the following to indicate the type of summarization you want for offset entries.

- 1 Company, account, transaction type
- 2 Company, account
- 3 No summarization

Variance entries. Type in one of the following to indicate the type of summarization you want for variance entries.

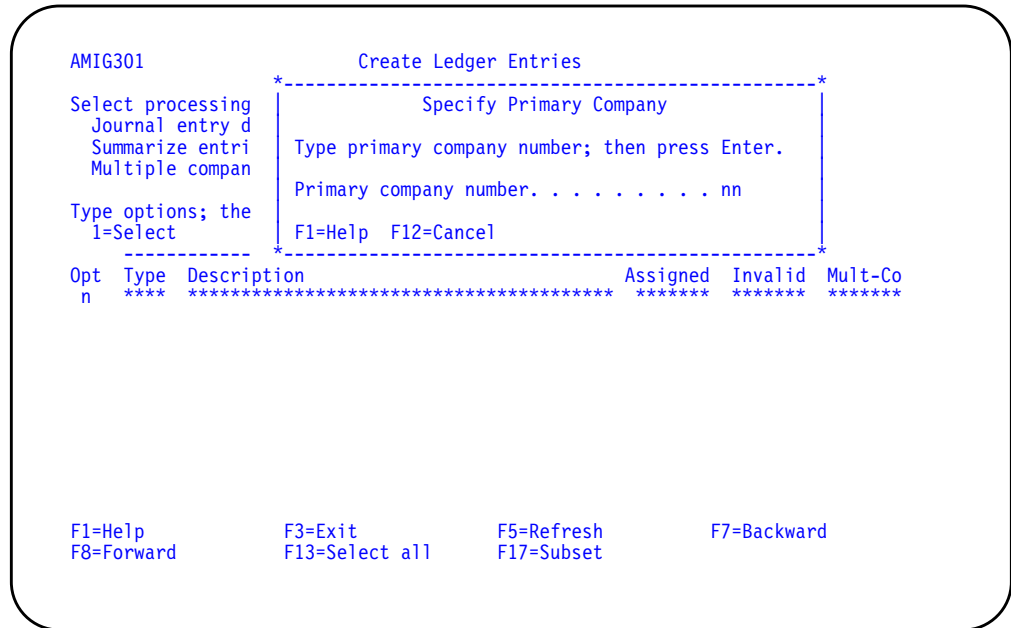
- 1 Company, account, transaction type
- 2 Company, account
- 3 No summarization

Contents	Index	Exit
--------------------------	-----------------------	----------------------

Specify Primary Company

Use this window to identify the company that is to receive balancing amounts when you create ledger entries for transactions that have amounts assigned to different companies.

This window appears when you type a **1** in the **Multiple company entries** field on the Create Ledger Entries display (AMIG301). This window does not appear if IFM is interfacing.



What to do

To identify the primary company, type in the company number and press **Enter**. Display AMIG301 appears again.

Function keys

F1=Help shows information about this display. Pressing F1 or pressing the help key shows you the same information.

F12=Cancel ignores any options or changes you typed on the current display and causes the previous display to appear.

Fields

Primary company number. Number of the company designated as the central company. The charge of an intercompany transaction is posted to the primary company and account.

[Contents](#)[Index](#)[Exit](#)

Transaction Header

Use this display to define the IFM transaction header for the IM ledger entries you are creating.

This display appears only when IFM is interfacing and you selected a transaction on the Create Ledger Entries display (AMIG301).

UABBPVR	Transaction Header	Create
Transaction type	aaaaaaaA10	
Transaction number	aa3	
Narrative	aa40	
Financial division	aaaaaaaA8	
Effective date	**/**/**	
Originating unit	aaaaaaaA10	Unit Not Applicable
Period	aaaaaaaA10	
F3=Exit F4=Prompt F12=Cancel		

What to do

To create a header for an IFM transaction, type the values into the fields on this display and press **Enter**. The header record is created immediately after you press **Enter**. A batch job is submitted that generates the appropriate transaction lines in IFM.

Function keys

F1=Help shows information about this display. Pressing **F1** or pressing the help key shows you the same information.

F4=Prompt provides a list of choices for the option or options you selected.

F12=Cancel ignores any options or changes you typed on the current display and causes the previous display to appear.

Fields

Transaction type. Type the transaction type of the header you want to create.

Transaction number. Identifier for a transaction. Type the transaction number of the transaction for which you want to create a header.

Contents	Index	Exit
--------------------------	-----------------------	----------------------

Narrative. You can enter up to 40 characters of text to be included in the narrative for the associated transaction.

Financial division. Type the identifier of the financial division which pertains to the same transaction for which you want to create a header.

Effective date. The date on which the transaction is defined to take place for accounting purposes. It is this date which is used to determine the accounting period into which the transaction falls. It is also the date used to determine which dated records (such as exchange rates or personal account data, but not tax rates) apply to the transaction.

Originating unit. Type the identifier of the unit that originates the transaction for which you want to create a header.

Period. The period to which the transaction is posted. It must be an open ledger period, in the current transaction ledger. If you leave this field blank, the period defaults from the effective date.

[Contents](#)[Index](#)[Exit](#)

AMIG304—Specify Ledger Entries to Create

Use this display to limit the transaction records to appear on the Create Ledger Entries display (AMIG301).

This display appears when you use **F17** on the Create Ledger Entries display (AMIG301).

For the From and To ranges on this display, the value you type in the To field must be greater than or equal to the value you type in the From field when both fields are used. The range begins with and includes the value you type in the From field; it ends with and includes the value you type in the To field.

If you type a value in the From field only, the system ends the range with the highest value for that field. If you type a value in the To field only, the system begins the range with the lowest value for that field. If you want to select records by a single value instead of a range, use that value in both the From and To fields.

AMIG304		Specify Ledger Entries to Create	
Type choices; then press Enter.			
Include only these ranges (optional):			
Date	From	To	
IM closing period	nn/nn/nn	nn/nn/nn	
Warehouse	nn	nn	
Item number	aA3	aA3	
Item type	aaaaaaaaaaaaA15	aaaaaaaaaaaaA15	
Item class	A	A	
Item accounting class	aaA4	aaA4	
Order number	aA3	aA3	
Order accounting class	aaaaA7	aaaaA7	
Reason code	aA3	aA3	
	aaaA5	aaaA5	
F1=Help F3=Exit F5=Refresh F12=Cancel			

What to do

To limit the list of transaction records, type the range values you want to use and press **Enter**. Display AMIG301 appears again.

Function keys

F1=Help shows information about this display. Pressing F1 or pressing the help key shows you the same information.

F3=Exit ignores any options or changes you typed on the current display, ends the current task, and returns to the display or menu where you started.

Contents	Index	Exit
-----------------	--------------	-------------

F5=Refresh resets the display to the original values that appeared before you made any changes. The data entry fields are restored to the current values stored in the system.

F12=Cancel ignores any options or changes you typed on the current display and causes the previous display to appear.

Fields

[?] appears next to a field name in the following field definitions to identify a field from which you can begin a master file search.

Date. The transaction date of the transaction.

IM closing period. Period close sequence number that is updated during close stock status. Because your manufacturing year may be different from your accounting year, the value you enter in this field does not have to match the general ledger accounting period.

Warehouse [?]. Code defined by your company that identifies the warehouse in which this item is currently stocked.

Item number [?]. Number of the item, which can be any raw material, manufactured or purchased part, subassembly, assembly, or end item.

Item type. Code that best describes the type of item:

0	Phantom
1	Assembly or subassembly
2	Fabricated item
3	Raw material
4	Purchased item
9	User option (Special)
F	Feature
K	Kit

Item class. Code assigned by your company that identifies the class to which this item belongs. For example, STEL might mean items made of steel.

Item accounting class. Class, defined by your company, to group or classify items for accounting purposes.

Order number [?]. Control number assigned to the order.

Purchase order

A request sent to a vendor asking for goods or services. Has a prefix of 'P'.

Manufacturing order

An order issued to the factory to produce a component or assembly. Has a prefix of 'M'.

Schedule order

An authorization to produce an item on a specific production line over a specific time period. Has a prefix of 'S'.

This is available only if REP and IM are interfacing.

Contents	Index	Exit
--------------------------	-----------------------	----------------------

Order accounting class. Class, defined by your company, to group or classify orders for accounting purposes.

Reason code. Code assigned by your company that indicates the reason for a transaction.

Contents	Index	Exit
--------------------------	-----------------------	----------------------

Option 2. Print Temporary General Ledger (AMIMB3)

Use this option to print the Temporary General Ledger listing.

If IFM is installed, this menu option is not available. Refer to the *IFM User's Guide* for more information.

What information you need: The accounting month and year or the accounting period of the transactions you want to print and the company numbers you want to include on the report.

What reports are printed: Temporary General Ledger Listing (AMV61).

What forms you need: None.

The basic steps to print the Temporary General Ledger listing follow each display.

[Contents](#)[Index](#)[Exit](#)

AMV601–Temporary General Ledger Print

Use this display to select the transaction records to list from the Temporary General Ledger file.

This display appears if you select the appropriate option on General Ledger menus in Accounts Payable, Accounts Receivable, Inventory Management, and Purchasing.

If IFM is installed, this display does not appear.

DATE **/**/**	***** TEMPORARY GENERAL LEDGER PRINT	OPTIONS	AMV601 **
	INCLUDE ALL COMPANIES <Y/N> A		
	OR ENTER COMPANY NUMBER nn		
	MONTH TO BE PROCESSED <01-12> nn		
	YEAR TO BE PROCESSED <00-99> nn		
			F24 CANCEL THE JOB

What to do

To print the report, type in the information requested and press **Enter**.

Function keys

F24 CANCEL THE JOB cancels processing and causes the menu to appear. No listing prints.

Fields

INCLUDE ALL COMPANIES (Y/N). This is a required field. It appears only if you indicated multiple companies during application tailoring. Type in **Y** to print and clear for all companies. Type in **N** to print and clear for a single company.

OR ENTER COMPANY NUMBER. This field is required if you typed N in the **INCLUDE ALL COMPANIES** field. Type in a company number from 01 through 89.

Contents	Index	Exit
--------------------------	-----------------------	----------------------

PERIOD TO BE PROCESSED <01-13> or **MONTH TO BE PROCESSED <01-12>**. This is a required field. Only one of these fields appears on the display. The field that appears depends on whether you indicated period accounting or monthly accounting during application tailoring. Type in the number of the month or period you want to use to print the Temporary General Ledger file.

YEAR TO BE PROCESSED <00-99>. This field is required if it appears on the display. This field appears if you indicated 12-month accounting during application tailoring. Type in the last two digits of the year you want to use to print the Temporary General Ledger file. The year that you enter will not be edited.

Contents	Index	Exit
--------------------------	-----------------------	----------------------

Option 3. Print and Clear Temporary General Ledger (AMIMB3)

Use this option to print the Temporary General Ledger listing and clear the Temporary General Ledger file. You can only use this option if the General Ledger application is not installed and interfacing. If IFM is installed, this menu option is not available. Refer to the *IFM User's Guide* for more information.

What information you need: The accounting month and year or the accounting period of the transactions you want to print.

What reports are printed: Temporary General Ledger Listing (AMV61).

What forms you need: None.

The basic steps to print and clear the Temporary General Ledger listing follow each display.

[Contents](#)[Index](#)[Exit](#)

AMV601–Temporary General Ledger Print and Clear

Use this display to select the transaction records to list and clear all transactions associated with a general ledger account number for the period or month selected from the file. You must run this option from the General Ledger main menu if the General Ledger application is installed and interfacing.

This display appears if you select the appropriate option on the General Ledger menu in Accounts Payable, Accounts Receivable, Inventory Management, and Purchasing. The journal and line number for each transaction prints with debit or credit amounts for each general ledger account. The control totals printed at the end of the report highlight any out-of-balance conditions.

The journal and line number for each transaction prints with debit or credit amounts for each general ledger account. The control totals printed at the end of the report highlight any out-of-balance conditions.

Before you continue this task, make sure you have processed all entries for the period or month. This option eliminates all transactions from the file for the period or month selected. You can no longer print these transactions.

```

DATE **/**/**
*****
TEMPORARY GENERAL LEDGER
PRINT AND CLEAR

INCLUDE ALL COMPANIES <Y/N>      A
OR ENTER COMPANY NUMBER      nn

MONTH TO BE PROCESSED <01-12> nn
YEAR TO BE PROCESSED <00-99> nn

F24 CANCEL THE JOB

```

What to do

To clear the general ledger entries and print the report, type in the information requested and press **Enter**. The file is cleared.

Function keys

F24 CANCEL THE JOB cancels processing and causes the menu to appear. No listing prints.

Contents	Index	Exit
--------------------------	-----------------------	----------------------

Fields

INCLUDE ALL COMPANIES (Y/N). This is a required field. It appears only if you indicated multiple companies during application tailoring. Type **Y** to print and clear for all companies. Type **N** to print and clear for a single company.

OR ENTER COMPANY NUMBER. This field is required if you typed **N** in the **INCLUDE ALL COMPANIES** field. Type in a company number from 01 through 89.

PERIOD TO BE PROCESSED <01-13>

MONTH TO BE PROCESSED <01-12>. This is a required field. Only one of these fields appears on the display. The field that appears depends on whether you indicated period accounting or monthly accounting during application tailoring. Type in the number of the month or period you want to use to print and clear the Temporary General Ledger file.

YEAR TO BE PROCESSED <00-99>. This field is required if it appears on the display. This field appears if you indicated 12-month accounting during application tailoring. Type in the last two digits of the year you want to use to print and clear the Temporary General Ledger file.

Contents	Index	Exit
--------------------------	-----------------------	----------------------

Option 4. Maintain Interface Control File (AMIMB3)

Use this option to change the indicator that specifies whether or not transactions are sent to General Ledger and to change the transaction descriptions that were shipped with the application in the General Ledger Interface Transaction Description file (LITDES).

If IFM is installed, this menu option is disabled. Refer to the *IFM User's Guide* for more information.

What information you need: The transaction description if a change is desired.

What reports are printed: Maintain Interface Control File Register (AMVLI).

What forms you need: None.

The basic steps to maintain transaction descriptions follow each display.

[Contents](#)[Index](#)[Exit](#)

AMVLI01–Maintain Interface Control File

Use this display to select transaction types to:

- Change the transaction description
- Indicate whether the transaction is passed to the ledger interface.

This display appears when you select option 4 on the General Ledger Management menu.

```

AMVLI01                Maintain Interface Control File
Position to transaction type . . . . aaA4
Type option; then press Enter.
  2=Change

Option  Type  Description                                Interface Code  More: - +
n      ****  *****
n      ****  *****
n      ****  *****
n      ****  *****

F1=Help      F3=Exit      F5=Refresh      F7=Backward
F8=Forward
  
```

What to do

To select transaction types, type 2 in the Option field and press **Enter**. The Maintain Interface Control File display (AMVLI02) appears. If MMS is interfacing, make sure you select the transactions that MMS can send to the General Ledger application. The interface code should be 1 (active).

Function keys

F1=Help shows information about this display. Pressing F1 or pressing the help key shows you the same information.

F3=Exit takes you to an Exit window.

The Exit Maintain Interface Control File window appears.

F5=Refresh resets the display to the original values that appeared before you made any changes. The data entry fields are restored to the current values stored in the system.

F7=Backward shows the previous set of entries or information on the display. You can press F7 when you see More: - in the upper right part of the display.

Contents	Index	Exit
-----------------	--------------	-------------

F8=Forward shows the next set of entries or information on the display. You can press F8 when you see More: + in the upper right part of the display.

Note: F7 and F8 allow you to see additional data on this display. To see additional information about messages, position the cursor on the message and use the Roll keys.

Fields

Position to. Type a value in one or more of the Position to fields to skip to a particular entry in the list of transactions. The first record matching your selection moves to the top of the list. If no entry matches your selection, the list begins with the entry immediately preceding the position you want.

Option. Use this column to act on individual list entries. An option number represents each action you can take on this display. Type the option number next to the list entry you want to act upon and press **Enter**. You can type the same option next to more than one entry at a time. Where more than one option is available, you can type different options next to different entries at the same time. After the first option is processed, the second option is processed and so on. This field is required.

Use the following:

- 2** Select transaction types for which you want to change the descriptions defined for your application and to indicate whether or not they are sent to the General Ledger application.

Type. Code that indicates the kind of transaction.

For COM, specific and general transaction types are:

CILI	Cost of sales - inventory items
CILN	Cost of sales - noninventory items
CILS	Cost of sales - special charges
CIL*	Cost invoices - inventory/noninventory items
CI**	Cost invoices - all items
CRLI	Cost relief - inventory returns
CRLN	Cost relief - noninventory returns
CRLS	Cost relief - special charge returns
CRL*	Cost returns - inventory/noninventory items
CR**	Cost returns - all items
C***	Cost - all
RALI	Allowances - inventory items
RALN	Allowances - noninventory items
RALS	Allowances - special charges
RALT	Allowances - taxes
RAL*	Revenue allowance - inventory/noninventory items
RA**	Revenue allowance - all items
RILI	Invoices - inventory items
RILN	Invoices - noninventory items
RILS	Invoices - special charges
RILT	Invoices - taxes
RIL*	Revenue invoices - inventory/noninventory
RI**	Revenue invoice - all items
RRLI	Returns - inventory items
RRLN	Returns - noninventory items
RRLS	Returns - special charges
RRLT	Returns - taxes
RRL*	Revenue returns - inventory/noninventory

Contents	Index	Exit
-----------------	--------------	-------------

RR** Revenue returns - all items**R***** Revenue - all

For PC&C, specific and general transaction types are:

LMAC Machine cost**LOHD** Overhead cost**LRAP** Outside operation cost**LRPA** Run labor from Payroll**LRSA** Run labor from Shop Activity**LR**** Run labor - all**LSPA** Setup labor from Payroll**LSSA** Setup labor from Shop Activity**LS**** Labor setup - all**L***** Labor - all**MCAP** Miscellaneous charges - Accounts Payable**MCSA** Miscellaneous charges - Shop Activity**M***** Miscellaneous charges - all**SCRP** Scrap cost**VCLO** Variances - order closeout**VEAC** Miscellaneous charge cost variance**VE**** Miscellaneous charge variances**VMCS** Material cost variance**VMUS** Material usage variance**VM**** Material variances**VOCO** Overhead cost variance**VOUS** Overhead efficiency variance**VO**** Overhead variances**VRCO** Run labor cost variance**VRCO** Run labor cost variance**VRUS** Run labor efficiency variance**VR**** Run variances**VSCO** Setup labor cost variance**VSUS** Setup labor efficiency variance**VS**** Setup variances**V***** Variances - all

For IM, the transaction types are:

CA Cost adjustment**CL** Component transfer to line**CN** Component transfer to stores**CR** Average cost replace**CS** Standard cost replace**CU** Standard unit cost default replacement**IA** Inventory adjustment**IP** Planned manufacture issue**IS** Miscellaneous issue**IU** Unplanned component issue**IW** Interwarehouse issue**IX** Uncontrolled floor stock**MQ** Manufacturing item QC complete**PH** Physical inventory update**PQ** Purchase item QC complete**RC** Miscellaneous receipt**RM** Production receipt**RP** P.O. receipt to stock**RQ** Shelf life expired - reject**RS** Component return to stock

Contents	Index	Exit
--------------------------	-----------------------	----------------------

RW	Interwarehouse receipt
SA	Sales shipment
SC	Manufacturing component scrap
SM	Manufacturing order scrap
SP	Purchase order scrap
SQ	QC status change
SS	Scrap from stock
VR	Purchase return to vendor

For MMS, the transaction types are:

CA	Cost adjustment
IA	Inventory adjustment
IP	Planned manufacture issue
IW	Interwarehouse issue
RP	P.O. receipt to stock
RW	Interwarehouse receipt
SP	Purchase order scrap
VR	Purchase return to vendor

For REP, the transaction types are:

RMAC	Machine cost
ROHD	Overhead
RRUN	Run labor cost
RSET	Setup labor
RVAR	Variance - Schedule Closeout

Description. Description of a specific transaction type.

Interface Code. Code that indicates how the record is used:

0	Not active. The application will not create transactions for the ledger interface.
1	Active. The application will create transactions for the ledger interface.
2	Generalized. The transaction type is used for defining account assignment rules that apply to multiple transaction types. Applies only to COM and PC&C.

Application Indicator. Code that indicates the application with which the transaction type is associated.

B	Customer Order Management
C	Production Control and Costing
I	Inventory Management (and Maintenance Management)
Q	Repetitive Production Management

[Contents](#)[Index](#)[Exit](#)

AMVLI02–Maintain Interface Control File

Use this display to change transaction type information and to indicate whether or not transaction records are sent to the General Ledger application.

This display appears when you select 2 on the Maintain Interface Control File display (AMVLI01).

```

AMVLI02                Maintain Interface Control File
Type choices; then press Enter.

Transaction type . . . . . : ****
Application indicator . . . . . : *
Transaction description . . . . . : aaaaaaaaaaaaaaaaaaaaaaaaaaaaaaaaaA40
Interface to General Ledger . . . . . : n  0=No, 1=Yes

F5=Refresh           F12=Cancel
  
```

What to do

To change the information on this display, type the new information and press **Enter**. The Maintain Interface File Control display (AMVL101) appears again. If MMS is interfacing, type **1** (yes) to interface with the General Ledger application.

Note: If the Interface Code value for the transaction you select on display AMVL101 was 2, you can change only the transaction description on this display. The Interface to General Ledger field does not appear.

Function keys

F5=Refresh resets the display to the original values that appeared before you made any changes. The data entry fields are restored to the current values stored in the system.

F12=Cancel ignores any options or changes you typed on the current display and causes the previous display to appear.

Fields

Transaction type. Code that indicates the kind of transaction.

Application indicator. Code that indicates the application with which the transaction type is associated.

Contents	Index	Exit
--------------------------	-----------------------	----------------------

- B** Customer Order Management
- C** Production Control and Costing
- I** Inventory Management (and Maintenance Management)
- Q** Repetitive Production Management

Transaction description. [Description of a specific transaction type.](#) Type in the description you want to use.

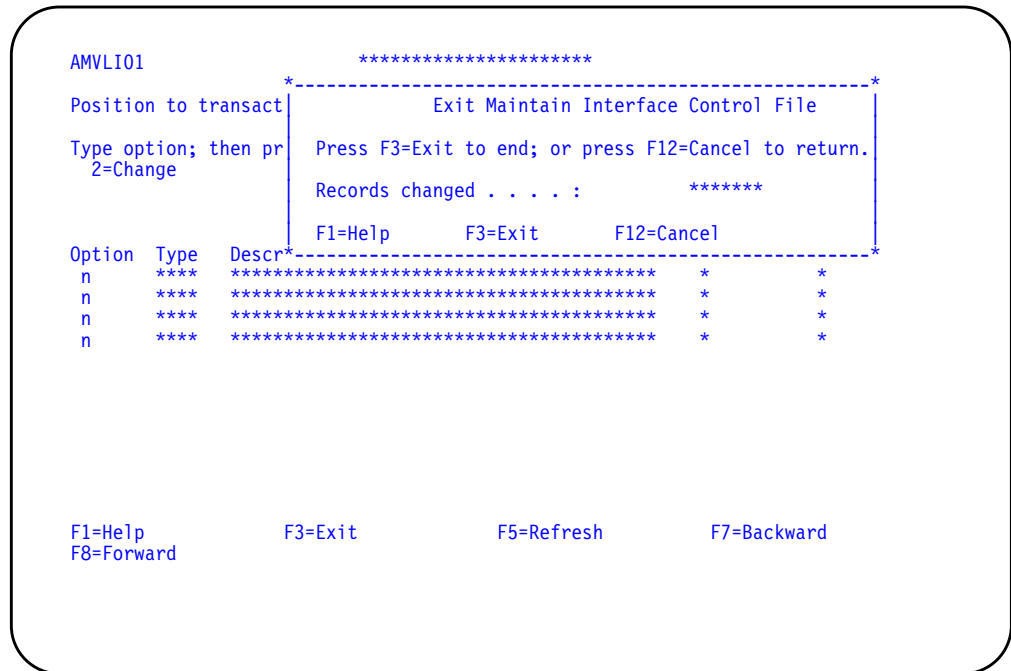
Interface to General Ledger. Code that indicates whether you want a transaction sent to the General Ledger application:

- 0** No
- 1** Yes

Exit Maintain Interface Control File

Use this window to exit the Maintain Interface Control File option. The window shows the number of records changed during this work session.

This window appears when you use **F3** on display AMVLI01.



What to do

- To exit this window, use **F3**. The General Ledger Management menu appears.
- To return to the previous display, use **F12**.

Function keys

F1=Help shows information about this display. Pressing **F1** or pressing the help key shows you the same information.

F3=Exit allows you to leave this task. The display or menu where you started appears.

F12=Cancel causes the previous display to appear.

Fields

Records changed. Number of records changed during this session.

Contents	Index	Exit
--------------------------	-----------------------	----------------------

Option 5. Maintain General Ledger Master (AMIMB3)

Use this option to add, change, and delete general ledger records. You can also view the status of a General Ledger Master File maintenance session and print the General Ledger Master Entry/Change listing, if chosen during application tailoring. You can only use this option if the General Ledger application is not installed. If IFM is installed, this menu option is not available. Refer to the *IFM User's Guide* for more information.

What information you need: None.

What reports are printed: General Ledger Master Entry/Change listing (AMV04).

What forms you need: None.

The basic steps to maintain the General Ledger Master follow each display.

[Contents](#)[Index](#)[Exit](#)

AMV041—General Ledger Maintenance (Select)

Use this display to choose the company and account you want to maintain and to indicate the type of action you want to perform. This is the first display to appear when you are maintaining the General Ledger Master file.

This display appears when you select option 5 on the Inventory Management General Ledger Management menu (AMIMB3), option 11 on the Purchasing File Maintenance menu, option 1 on the Accounts Payable File Maintenance menu (AMAM70), and option 8 on the Accounts Receivable Master File Processing menu (AMRM20).

```

DATE **/**/**          GENERAL LEDGER MAINTENANCE          SELECT          AMV041  **
                                COMPANY NUMBER          nn
                                ACCOUNT NUMBER          aaaaaaaaaaaaA15
                                ACTION CODE <A/C/D>      A

                                F24 DISPLAY STATUS

```

What to do

- To add or update or delete a record in the General Ledger Master file (GELMAS), type in the information requested and press **Enter**. The General Ledger Maintenance display (AMV042) appears.
- To review the status of the changes you have made during this session, use **F24**. The General Ledger Maintenance display (AMV043) appears.

Function keys

F24 DISPLAY STATUS causes the General Ledger Maintenance (Status) display (AMV043) to appear.

Fields

[\[?\]](#) appears next to a field name in the following field definitions to identify a field from which you can begin a master file search.

COMPANY NUMBER. Required if the field appears on the display. Type in the company number (1-89) for the general ledger record. This field appears only if multiple companies are supported.

Contents	Index	Exit
--------------------------	-----------------------	----------------------

ACCOUNT NUMBER [?]. Required. Number used to classify business activity for financial purposes. Enter the number for the account you want to maintain.

ACTION CODE <A/C/D>. Type in one of the following:

- A** Add a record
- C** Change an existing record
- D** Delete an existing record.

[Contents](#)[Index](#)[Exit](#)

AMV042—General Ledger Maintenance (Add, Change, or Delete)

Use this display to add, change, or delete a general ledger record.

This display appears when you press **Enter** with no errors on the General Ledger Maintenance (Select) display (AMV041).

```

DATE **/**/**                                ***** AMV042 **
                                           GENERAL LEDGER MAINTENANCE
COMPANY **                                *****
ACCOUNT *****                             DESCRIPTION aaaaaaaaaaaaaaaaaaA25
TYPE CODE * *****                         ACCOUNT TYPE a2

                                           F18 REFRESH SCREEN
                                           F19 RETURN TO SELECT

```

What to do

Type in the information requested and press **Enter**. The General Ledger Master file is updated and display (AMV041) appears again.

Function keys

F18 REFRESH SCREEN causes this display to appear again in its original form. Any data that you typed is ignored.

F19 RETURN TO SELECT causes the General Ledger Maintenance (Select) display (AMV041) to appear. Any data that you typed is ignored.

Fields

COMPANY. The company number and name that you entered on display AMV041. It appears only if multiple companies are supported.

ACCOUNT. The account number that you entered on display AMV041.

DESCRIPTION. Required for a new record. Type in the description of the account. For an existing record, change the description by typing over the old description.

Contents	Index	Exit
--------------------------	-----------------------	----------------------

TYPE CODE. Code indicating the accounting year for the record. Type in one of the following:

- 1** Current year
- 2** Budget year
- 3** Previous year (history).

ACCOUNT TYPE. Required for a new record. You can change the account type of an existing record. Type in one of the following to show the type of account:

- AS** Asset
- LI** Liability
- IC** Income
- EX** Expense.

[Contents](#)[Index](#)[Exit](#)

AMV043—General Ledger Maintenance (Status)

Use this display to view the status of the General Ledger Master File maintenance session and to end the job. You cannot enter or change any fields. The General Ledger Master Entry/Change Listing (AMV04) is printed if you chose this option during application tailoring.

This display appears when you use **F24 DISPLAY STATUS** on the General Ledger Maintenance (Select) display (AMV041).

DATE **/**/**	GENERAL LEDGER MAINTENANCE	STATUS	AMV043 **
SESSION STATUS			
RECORDS ADDED	* ,***,***	RECORDS DELETED	* ,***,***
RECORDS CHANGED	* ,***,***		
ENTER TO CONTINUE F24 END OF JOB			

What to do

- To update more records in the General Ledger Master file, press **Enter**. The General Ledger Maintenance (Select) display (AMV041) appears.
- To end the session, use **F24**. The system schedules the General Ledger Master Ledger Entry/Change Listing (AMV04) for printing.

Function keys

F24 END OF JOB causes the session to end and status information shown on the display to print. If specified during application tailoring, before and after images of the record changes are also printed.

Fields

SESSION STATUS.

RECORDS ADDED: The number of records that have been added during the session.

Contents	Index	Exit
--------------------------	-----------------------	----------------------

RECORDS DELETED: The number of records that have been marked for deletion during the session.

RECORDS CHANGED: The number of records that have been changed during the session.

[Contents](#)[Index](#)[Exit](#)

Option 6. List Chart of Accounts (AMIMB3)

Use this option to select what accounts and companies to print on the Chart of Accounts listing. If IFM is installed, this menu option is not available. Refer to the *IFM User's Guide* for more information.

What information you need:

- The company number for each Chart of Accounts you want to print, if this application is installed for more than one company.
- The beginning and ending account number of the account you want printed, if you are not printing all account numbers.

What reports are printed: Chart of Accounts (AMV03).

What forms you need: None.

The basic steps to create the Chart of Accounts Listing follow each display.

AMV021–Chart of Accounts (Options)

Use this display to specify limits for the General Ledger Chart of Accounts.

This display appears if you select the appropriate option in Accounts Payable, Accounts Receivable, General Ledger, Inventory Management, Payroll, and Purchasing. You can print a partial listing if you specify account types and account numbers to include in the listing for the company selected.

```

DATE **/**/**                                OPTIONS  AMV021  **
                                CHART OF ACCOUNTS

ENTER Y FOR EACH GL ACCOUNT TYPE NEEDED:

CURRENT ACCOUNTS      A
BUDGET ACCOUNTS      A
LAST YEAR ACCOUNTS   A

COMPANY NUMBER        nn

FROM ACCOUNT          aaaaaaaaaaaaA15

TO ACCOUNT            aaaaaaaaaaaaA15

OR LEAVE BLANK FOR ALL ACCOUNTS

                                F24 CANCEL THE JOB

```

What to do

- To print the General Ledger Chart of Accounts report, type in the information requested and press **Enter**. The system schedules the report for printing. The previous menu appears. Select another option or return to the Main Menu.

Contents	Index	Exit
--------------------------	-----------------------	----------------------

- To cancel the session, use **F24**. You return to the Main Menu.

Function keys

F24 CANCEL THE JOB causes the previous menu to appear again. No processing occurs and no listing is printed.

Fields

CURRENT ACCOUNTS

BUDGET ACCOUNTS

LAST YEAR ACCOUNTS. These fields are required. Type in **Y** for each account type for which you want a report. Type in **N** if you do not want a report for that account type.

COMPANY NUMBER. This field appears only if you specified multiple companies during application tailoring. This field is required. If this field appears, type in the company number.

FROM ACCOUNT. Type in the first general ledger account number to appear on the report. The number must be equal to or less than the ***TO ACCOUNT*** number.

TO ACCOUNT. Type in the last general ledger account number to appear on the report. To print information for only one account, enter the same number that is entered for ***FROM ACCOUNT***.

Contents	Index	Exit
--------------------------	-----------------------	----------------------

Chapter 14. Report descriptions

This chapter contains annotated samples of the major reports that the IM application produces. Depending on which functions you choose when you tailor the application to your company's needs, you may not need some of the reports described. Each report has a unique identification number in the upper right corner. This number is listed along with the report name (in alphabetic order). You can use either the identification number or the report name to identify a report.

Table 14-1. (Page 1 of 4) List of reports, sorted by report ID

ID	Report	See page
AMICA	Location Detail—Individual Locations	14-138
AMICB	Location Detail—Multiple Locations	14-142
AMICC	Quality Control Areas	14-269
AMICD	Bulk Store Areas	14-21
AMICU1	Transaction Analysis—Summary	14-322
AMICU2	Transaction Analysis—Detail	14-320
AMIC21	Location Quantity/Item Balance Audit	14-144
AMIGB1	Outstanding GRNs with QC Inspection Complete	14-246
AMIGB2	Outstanding GRNs	14-244
AMIGB3	Outstanding GRNs by Vendor	14-245
AMIGF2	Goods Received Notes	14-52
AMIGF1	Goods Received Notes Since Last Report	14-53
AMIGG1	Invoices on Goods Received Notes Since Last Report	14-83
AMIGG2	Invoices on Goods Received Notes	14-82
AMIGH	Invoices to Goods Received Notes	14-84
AMIGR	Rule Priorities List	14-274
AMIGS	Rules List	14-277
AMIGX	Create Ledger Entries Register	14-29
AMIGZ	Account Assignment Register	14-11
AMIG2	Edit Assigned Accounts Register	14-45
AMIG5	Maintain Rules Register	14-160
AMIG6	Maintain Rule Priorities Register	14-157
AMIH30	Order History Reports Selected Orders/Schedules	14-237
AMIH31	Order History Production Summary	14-234
AMIH32	Order History Accounting Summary	14-221
AMIH33	Order History Production Detail	14-227
AMIH34	Order History Accounting Detail	14-214
AMIH35	Schedule History	14-281
AMIH4A	Order History Archive Content	14-223
AMIH45	Order History Orders Archived/Deleted/Erased	14-225
AMIH48	Order History Orders Restored/Recovered	14-226
AMINB	Miscellaneous Item Transaction Register	14-201
AMINE	Miscellaneous Item Stock List	14-200

Table 14-1. (Page 2 of 4) List of reports, sorted by report ID

ID	Report	See page
AMING	Discrete Allocations	14-43
AMINK	Discrete Allocation Worksheet by Item—Batch/Lot	14-39
AMINL	Discrete Allocation Worksheet by Item—FIFO Date	14-41
AMIPSN0P	Advanced Shipping Notice/Receiving Advice	14-15
AMIOB1	Manufacturing Items Waiting Inspection	14-168
AMIOB2	Purchased Items Waiting Inspection	14-268
AMIOB3	Cyclic QC Due/Overdue	14-37
AMIOD	Reject Items Waiting Disposition	14-273
AMIOF	Batch/Lot Quality Control Status	14-18
AMIOH	Quality Control Transactions	14-270
AMIOK	Batch/Lot Numbers	14-17
AMIOU	Item QC and Batch/Lot Controls	14-118
AMISD	Location Stock Status—Detail	14-146
AMISF	Location Stock Status—Summary Report	14-148
AMISI1, AMISI2, AMISI3	Batch/Lot Review—reports	14-19
AMISQ, AMISR, AMISS	Inventory Valuation reports	14-77
AMIWD	Empty Locations in Warehouse	14-49
AMIWE	Contents of Bulk Store Area	14-23
AMIWG	Contents of QC Area	14-24
AMIWH	Locations and Contents	14-150
AMIXK	Location Detail	14-137
AMIZD	Location Detail—Location Quantities	14-140
AMI2B	Inventory Stock Status Review	14-64
AMI2D	Purchase Order Status Report	14-261
AMI2E	Manufacturing Order Status Report	14-175
AMI2G	Annual Usage Extension	14-16
AMI2H	A-B-C Analysis Report	14-9
AMI2K1	Inventory Analysis Report– Financial	14-56
AMI2K2	Inventory Analysis Report– Stock Movement	14-59
AMI2M	Inventory Reorder Report	14-61
AMI2N	Control Total---Item Balance File	14-26
AMI2T	Item Balance File List	14-85
AMI2W1	Transaction History—Purge Options	14-329
AMI2Z2	Transaction History— Single Item	14-330
AMI2Z3	Transaction History—Multiple Items	14-325
AMI3B	Inventory Transaction Edit List	14-68
AMI3E	Inventory Transaction Batch Extract	14-67

Table 14-1. (Page 3 of 4) List of reports, sorted by report ID

ID	Report	See page
AMI3X	Inventory Transaction Batch Control Update	14-66
AMI4D	Order Entry Batch Control Update- Purchase/Manufacture	14-213
AMI4H1	Shop Packet Worksheet	14-285
AMI4H2	Shop Packet Worksheet	14-308
AMI4H3	Shop Packet Worksheet	14-296
AMI4I1	Shop Packet Worksheet	14-302
AMI4I2	Shop Packet Worksheet	14-308
AMI4I3	Shop Packet Worksheet	14-313
AMI4K1	Order Closeout - Production Report	14-202
AMI4K2	Cost Total Sheet - Closed Orders	14-28
AMI4M	Order Release Batch Extract and BM Explosion	14-239
AMI4N	Order Release Summary and Material Detail Update	14-240
AMI4O1	Manufacturing Orders Released	14-181
AMI4O2	Manufacturing Orders Closed	14-178
AMI4Q2	Item Shortage Report - Order Release	14-125
AMI4Q3	Item Shortage Report - Follow-Up Analysis	14-120
AMI4R	Purchase Orders Closed/Released	14-265
AMI4S	Order Closeout Selection by Order Audit List - Purchase/ Manufacture	14-210
AMI4T	Order Closeout Selection by Date Audit List - Purchase/ Manufacture	14-208
AMI4U	Order Closeout Summary and Material Purge Audit List	14-212
AMI4W2	Order Shortage Report - Order Release	14-241
AMI4W3	Customer Order Shortage Report - Follow-up Analysis	14-33
AMI4W4	Manufacture Order Shortage Report - Follow-Up Analysis	14-164
AMI4X	Order Release Batch Control Update - Purchase/Manufacture	14-238
AMI5B	Cycle Count/Physical Inventory List for Controlled/Uncontrolled Warehouses	14-35
AMI5C1	Physical Inventory Edit Listing/Final Totals	14-253
AMI5C2	Physical Inventory Edit Final Totals	14-253
AMI5F	Physical Inventory Attach Final Totals	14-251
AMI5H1	Inventory Valuation and Variance Report	14-79
AMI5H2	Items Selected for Physical Inventory/Cycle Count - No Count Entered	14-128
AMI5J	Physical Transaction Register - Approved/Unapproved Error Items	14-254
AMI5J	Physical Transaction Register - Approved/Unapproved Processed Items	14-255
AMI5X	Physical Inventory Batch Control Update	14-252
AMI6C	Period-End/Year-End Inventory Stock Status	14-249
AMI6E	LIFO/FIFO Inventory Valuation Report	14-130
AMI6G	LIFO Transaction Reconciliation	14-135
AMI6H	LIFO/FIFO Transaction File Maintenance Edit List	14-133

Table 14-1. (Page 4 of 4) List of reports, sorted by report ID

ID	Report	See page
AMI6I	LIFO/FIFO Transaction File Edit	14-132
AMI7A	Item Balance File Maintenance Edit List	14-101
AMI7B	Purchase Order Item Detail Maintenance Edit List	14-259
AMI7C	P.O. Blanket Release Detail Maintenance Edit List	14-247
AMI7D	Manufacturing Order Master Maintenance Edit List	14-172
AMI7E	Manufacturing Order Detail File Maintenance Edit List	14-169
AMI9A2	Mfg Allocation Audit Exception List/Run Statistics	14-199
AMI9C2	Purchase/Mfg On-Order Audit Exception List—Run Statistics	14-258
AMI9D	Pick Requirements Audit Exception List	14-257
AMI9I1	Material Picking List – By Order	14-194
AMI9I2	Material Picking List – Consolidated	14-187
AMI9I3	Material Picking List – By Order	14-194
AMI9I4	Material Picking List – Consolidated	14-192
AMI9I5	Material Picking List – By Order	14-194
AMI9I6	Material Picking List – Consolidated	14-197
AMK11	Item Balance Edit Error List	14-97
AMK11	Item Balance File Offline Edit List	14-99
AMK12	Item Balance Load Audit Report	14-103
AMVB6PFR	Item Base Price List	14-117
AMVE40	Item Master File Report—Brief	14-107
AMVE41	Item Master File Report—Complete	14-9
AMVE42	Item Master File Report—Current or Standard Costs	14-112
AMVE43	Item Master File Report—Purchase Item Detail	14-114
AMVE44	Item Master File Report—Purchase Item Description	14-116
AMVGY	Intercompany Accounts List	14-54
AMVG1	Maintain Intercompany Accounts Register	14-152
AMVLI	Maintain Interface Control File Register	14-154
AMVT0	Item Master File Maintenance	14-104
AMV04	General Ledger Master Entry/Change Listing	14-50
AMV3G	Inventory Transaction Register – Deleted/Error Items	14-71
AMV3G2	Inventory Transaction Register – Processed Items/Totals	14-72
AMV61	Temporary General Ledger Listing	14-318

Table 14-2. (Page 1 of 5) List of reports, sorted by report name

Report	ID	See page
ABC Analysis Report	AMI2H	14-9
Account Assignment Register	AMIGZ	14-11
Advanced Shipping Notice	AMIPSN0P	14-15
Annual Usage Extension	AMI2G	14-16
Batch/Lot Numbers	AMIQK	14-17

Table 14-2. (Page 2 of 5) List of reports, sorted by report name

Report	ID	See page
Batch/Lot Quality Control Status	AMIQF	14-18
Bulk Store Areas	AMICD	14-21
Contents of Bulk Store Area	AMIWE	14-23
Contents of QC Area	AMIWG	14-24
Control Total Item Balance File	AMI2N	14-26
Cost Total Sheet – Closed Orders	AMI4K2	14-28
Create Ledger Entries Register	AMIGX	14-29
Customer Order Shortage Report – Follow-up Analysis	AMI4W3	14-33
Cycle Count/Physical Inventory List for Controlled/Uncontrolled Warehouses	AMI5B	14-35
Cyclic QC Due/Overdue	AMIQB3	14-37
Discrete Allocation Worksheet by Item—Batch/Lot	AMINK	14-39
Discrete Allocation Worksheet by Item—FIFO Date	AMINL	14-41
Discrete Allocations	AMING	14-43
Edit Assigned Accounts Register	AMIG2	14-45
Empty Locations in Warehouse	AMIWD	14-49
General Ledger Master Entry/Change Listing	AMV04	14-50
Goods Received Notes	AMIGF2	14-52
Goods Received Notes Since Last Report	AMIGF1	14-53
Intercompany Accounts List	AMVGY	14-54
Inventory Analysis Report – Financial	AMI2K1	14-56
Inventory Analysis Report – Stock Movement	AMI2K2	14-59
Inventory Reorder Report	AMI2M	14-61
Inventory Stock Status Review	AMI2B	14-64
Inventory Transaction Batch Control Update	AMI3X	14-66
Inventory Transaction Batch Extract	AMI3E	14-67
Inventory Transaction Edit List	AMI3B	14-68
Inventory Transaction Register – Deleted/Error Items	AMV3G	14-71
Inventory Transaction Register – Processed Items/Totals	AMV3G	14-72
Inventory Valuation	AMISQ, AMISR, AMISS	14-77
Inventory Valuation and Variance Report	AMI5H1	14-79
Invoices on Goods Received Notes	AMIGG2	14-82
Invoices on Goods Received Notes Since Last Report	AMIGG1	14-83
Invoices to Goods Received Notes	AMIGH	14-84
Item Balance Edit Error List	AMK11	14-97
Item Balance File Offline Edit List	AMK11	14-99
Item Balance File List	AMI2T	14-85
Item Balance File Maintenance Edit List	AMI7A	14-101
Item Balance Load Audit Report	AMK12	14-103

Table 14-2. (Page 3 of 5) List of reports, sorted by report name

Report	ID	See page
Item Base Price List	AMVB6PFR	14-117
Item Master File Maintenance	AMVT0	14-104
Item Master File Report—Brief	AMVE40	14-107
Item Master File Report—Complete	AMVE41	14-110
Item Master File Report—Current or Standard Costs	AMVE42	14-112
Item Master File Report—Purchase Item Description	AMVE44	14-116
Item Master File Report—Purchase Item Detail	AMVE43	14-114
Item QC and Batch/Lot Controls	AMIQU	14-118
Item Shortage Report – Follow-Up Analysis	AMI4Q3	14-120
Item Shortage Report – Order Release	AMI4Q2	14-125
Items Selected for Physical Inventory/Cycle Count – No Count Entered	AMI5H2	14-128
LIFO Transaction Reconciliation	AMI6G	14-135
LIFO/FIFO Inventory Valuation Report	AMI6E	14-130
LIFO/FIFO Transaction File Edit	AMI6I	14-132
LIFO/FIFO Transaction File Maintenance Edit List	AMI6H	14-133
Location Detail	AMIXK	14-137
Location Detail—Individual Locations	AMICA	14-138
Location Detail—Location Quantities	AMIZD	14-140
Location Detail—Multiple Locations	AMICB	14-142
Location Quantity/Item Balance Audit	AMIC21	14-144
Location Stock Status—Detail	AMISD	14-146
Location Stock Status—Summary Report	AMISF	14-148
Locations and Contents	AMIWH	14-150
Maintain Intercompany Accounts Register	AMVG1	14-152
Maintain Interface Control File Register	AMVLI	14-154
Maintain Rule Priorities Register	AMIG6	14-157
Maintain Rules Register	AMIG5	14-160
Manufacture Order Shortage Report – Follow-Up Analysis	AMI4W4	14-164
Manufacturing Items Waiting Inspection	AMIQB1	14-168
Manufacturing Order Detail File Maintenance Edit List	AMI7E	14-169
Manufacturing Order Master Maintenance Edit List	AMI7D	14-172
Manufacturing Order Status Report	AMI2E	14-175
Manufacturing Orders Closed	AMI4O2	14-178
Manufacturing Orders Released	AMI4O1	14-181
Material Picking List – By Order	AMI911	14-184
Material Picking List – By Order	AMI913	14-189
Material Picking List – By Order	AMI915	14-194
Material Picking List – Consolidated	AMI912	14-187
Material Picking List – Consolidated	AMI914	14-192
Material Picking List – Consolidated	AMI916	14-197

Table 14-2. (Page 4 of 5) List of reports, sorted by report name

Report	ID	See page
Mfg Allocation Audit Exception List/Run Statistics	AMI9A2	14-199
Miscellaneous Item Stock List	AMINE	14-200
Miscellaneous Item Transaction Register	AMINB	14-201
Order Closeout Selection by Date Audit List – Purchase/ Manufacture	AMI4T	14-208
Order Closeout Selection by Order Audit List – Purchase/ Manufacture	AMI4S	14-210
Order Closeout Summary and Material Purge Audit List	AMI4U	14-212
Order Closeout – Production Report	AMI4K1	14-202
Order Entry Batch Control Update – Purchase/Manufacture	AMI4D	14-213
Order History Accounting Detail	AMIH34	14-214
Order History Accounting Summary	AMIH32	14-221
Order History Archive Content	AMIH4A	14-223
Order History Orders Archived/Deleted/Erased	AMIH45	14-225
Order History Orders Restored/Recovered	AMIH48	14-226
Order History Production Detail	AMIH33	14-227
Order History Production Summary	AMIH31	14-234
Order History Reports Selected Orders/Schedules	AMIH30	14-237
Order Release Batch Control Update – Purchase/Manufacture	AMI4X	14-238
Order Release Batch Extract and BM Explosion	AMI4M	14-239
Order Release Summary and Material Detail Update	AMI4N	14-240
Order Shortage Report – Order Release	AMI4W2	14-241
Outstanding GRNs	AMIGB2	14-244
Outstanding GRNs by Vendor	AMIGB3	14-245
Outstanding GRNs with QC Inspection Complete	AMIGB1	14-246
P.O. Blanket Release Detail Maintenance Edit List	AMI7C	14-247
Period-End/Year-End Inventory Stock Status	AMI6C	14-249
Physical Inventory Attach Final Totals	AMI5F	14-251
Physical Inventory Batch Control Update	AMI5X	14-252
Physical Inventory Edit Listing/Final Totals	AMI5C1, AMI5C2	14-253
Physical Transaction Register – Approved/Unapproved Error Items	AMI5J	14-254
Physical Transaction Register – Approved/Unapproved Processed Items	AMI5J	14-255
Pick Requirements Audit Exception List	AMI9D	14-257
Purchase Order Item Detail Maintenance Edit List	AMI7B	14-259
Purchase Order Status Report	AMI2D	14-261
Purchase Orders Closed/Released	AMI4R	14-265
Purchase/Mfg On-Order Audit Exception List—Run Statistics	AMI9C2	14-258
Purchased Items Waiting Inspection	AMIQB2	14-268
Quality Control Areas	AMICC	14-269

Table 14-2. (Page 5 of 5) List of reports, sorted by report name

Report	ID	See page
Quality Control Transactions	AMIQH	14-270
Receiving Advice	AMIPSN0P	14-15
Reject Items Waiting Disposition	AMIQD	14-273
Rule Priorities List	AMIGR	14-274
Rules List	AMIGS	14-277
Schedule History	AMIH35	14-281
Shop Packet Worksheet	AMI4H1	14-285
Shop Packet Worksheet	AMI4H2	14-308
Shop Packet Worksheet	AMI4H3	14-313
Shop Packet Worksheet	AMI4I1	14-302
Shop Packet Worksheet	AMI4I2	14-308
Shop Packet Worksheet	AMI4I3	14-313
Temporary General Ledger Listing	AMV61	14-318
Transaction Analysis—Detail	AMICU2	14-320
Transaction Analysis— Summary	AMICU1	14-322
Transaction History—Multiple Items	AMI2Z3	14-325
Transaction History—Purge Options	AMI2W1	14-329
Transaction History—Single Item	AMI2Z2	14-330

ABC Analysis Report (AMI2H)

MAPICS/DB		A-B-C ANALYSIS REPORT				DATE	5/31/**	TIME	13.43.35	PAGE	1	AMI2H	
WH NO	ITEM NUMBER	ITEM TYPE	ITEM DESCRIPTION	STK U/M	PRI U/M	ITEM COUNT	CUM % ITEMS	-----PRIMARY CALCULATION-----				----SEC CALC----	
								ESTIMATED ANNUAL USE	STANDARD UNIT COST	ANNUAL USAGE AMT	CUMULATIVE USAGE AMT	CUM% USAGE	ON-HAND COST
						16	100.0					5,117.0000	8,233.0000
												100.0	100.0
												3743.0000	
ATL	99001	1	SPRAY UNIT	EA	EA	1	6.3	37.7330	100.2566	3743.0000		73.1	5600.0000
												68.0	68.0
ATL	03014	2	PUMP REBUILDING	EA	EA	2	12.5	39.9140	20.0000	783.0000		88.5	2258.0000
												95.4	95.4
ATL	26006-20	1	TANK 8 BY 12 IN	EA	EA	3	18.8	15.5680	19.0840	299.0000		94.3	227.0000
												98.2	98.2
ATL	27006-00	2	TANK TOP 8 INCH	EA	EA	4	25.0	20.2580	5.3284	110.0000		96.4	0.0000
												98.2	98.2
ATL	03426	2	TUBE 8 IN DIA	EA	EA	5	31.3	20.2580	3.4344	71.0000		97.8	0.0000
												98.2	98.2
ATL	27006-70	2	TANK BOTTOM 8 IN	EA	EA	6	37.5	20.2580	2.9424	61.0000		99.0	0.0000
												98.2	98.2
ATL	34250-A	1	TANK COVER ASSM	EA	EA	7	43.8	7.7490	4.6324	35.0000		99.7	82.0000
												99.2	99.2
ATL	03424	1	TREADLE ASSEMBLY	EA	EA	8	50.0	.3140	4.7907	15.0000		100.0	66.0000
												100.0	100.0
ATL	03024	2	SHELL	EA	EA	9	56.3	.0000	3.8221	.0000		100.0	0.0000
												100.0	100.0
ATL	03025	1	PUMP HOUSING	EA	EA	10	62.5	.0000	4.5571	.0000		100.0	0.0000
												100.0	100.0
ATL	03428	2	STAND	EA	EA	11	68.8	.0000	2.4131	.0000		100.0	0.0000
												100.0	100.0
ATL	03443	2	MOTOR SUPPORT	EA	EA	12	75.0	.0000	2.3655	.0000		100.0	0.0000
												100.0	100.0
ATL	03594	2	LUG	EA	EA	13	81.3	.0000	2.9301	.0000		100.0	0.0000
												100.0	100.0
ATL	03595	1	LUG SUB-ASSEMBLY	EA	EA	14	87.5	.0000	3.5771	.0000		100.0	0.0000
												100.0	100.0
ATL	27005-A	1	PUMPING UNIT	EA	EA	15	93.8	.0000	35.4507	.0000		100.0	0.0000
												100.0	100.0
ATL	27007-A1	1	BASE ASSEMBLY	EA	EA	16	100.0	.0000	10.0287	.0000		100.0	0.0000
												100.0	100.0
						TOTAL	16					5,117.0000	8,233.0000

To print this report, use option 6 on the Status/Analysis menu (AMIM21).

Fields

WH NO. The warehouse in which item is located.

ITEM NUMBER. A number which serves to uniquely identify an item.

ITEM TYPE. Valid types are:

- 0 Phantom
- 1 Assembly and subassembly
- 2 Fabricated item
- 3 Raw material
- 4 Purchased item
- 9 User option

ITEM DESCRIPTION. Description of the item.

STK U/M. The stocking unit of measure. This field represents the item quantity used by warehouse.

PRI U/M. The pricing unit of measure. This field represents the item quantity used for pricing.

ITEM COUNT. Item ranking in ascending sequence by cumulative usage amount.

CUM % ITEMS. This field answers the question, "What percent of the way through the report am I, in terms of items?"

PRIMARY CALCULATION.

ESTIMATED ANNUAL USE. The estimated annual usage quantity.

STANDARD UNIT COST. Standard, average, or last cost may be shown, based on application tailoring.

ANNUAL USAGE AMT. The total units used annually multiplied by unit cost.

CUMULATIVE USAGE AMT. A running total of annual usage amount.

CUM % USAGE. This field answers the question, "What percent of the way through the report am I, in terms of cumulative usage amounts?"

SEC CALC (Secondary Calculation).

ON-HAND COST. The secondary calculation as selected on the options display—either the on hand cost or the annual use at price:

On hand cost is the quantity on hand multiplied by the unit cost (based on user-selected accounting method). Annual usage at price is the estimated annual usage multiplied by the price (based on the price factor and the price code in the Item Master record).

CUM % COST. This field answers the question, "What percent of the way through the report am I, in terms of the secondary calculation amount?"

TOTAL ITM COUNT. The total number of items in this report.

TOTAL CUM% USAGE. The total usage amount in this report.

TOTAL ON-HAND COST. The sum of the secondary calculations for all items on this report.

Account Assignment Register (AMIGZ)

MDQ INC.	NO. 01	ACCOUNT ASSIGNMENT REGISTER	DATE	8/07/**	TIME 11.17.24	PAGE	1	AMVGZ
			OPER	3				
TRANSACTION TYPE: *MAC Machine cost								
--- ORDER ----								
TRANSACTION IM CLSG								
NUMBER	AC CL	JOB NUMBER	ID	AC CL	CHARGE NUMBER	NUMBER	WHS	TYPE CLASS AC CL DATE PERIOD
M000010	007					AIRKIT	ATL	1/01/** 1
CHARGE COMPANY / ACCOUNT / AMOUNT						363.00		
OFFSET COMPANY / ACCOUNT / AMOUNT						363.00-		
M000010	OC1		007		1409	BATTERY	ATL	1/02/** 1
CHARGE COMPANY / ACCOUNT / AMOUNT						151.63		
OFFSET COMPANY / ACCOUNT / AMOUNT						2409 151.63-		
M000110					1400	AIRKIT		1/02/** 1
CHARGE COMPANY / ACCOUNT / AMOUNT						1 2,777.00-		
OFFSET COMPANY / ACCOUNT / AMOUNT						1509 2,777.00		
M000030	OC1				1400	AIRKIT		1/04/** 1
CHARGE COMPANY / ACCOUNT / AMOUNT						1 2,777.00		
OFFSET COMPANY / ACCOUNT / AMOUNT						1409 2,777.00-		
M000080	OC3				1410	AUTO		12/31/** 1
CHARGE COMPANY / ACCOUNT / AMOUNT						2 1,550.55-		
OFFSET COMPANY / ACCOUNT / AMOUNT						1510 1,550.55		
RECORDS ASSIGNED : 5								
RECORDS UNASSIGNED : 0								
RECORDS INVALID ACCOUNTS : 0								
RECORDS MULTICOMPANY : 0								

MDQ FIVE INC.	NO. 01	ACCOUNT ASSIGNMENT REGISTER	DATE	8/07/**	TIME 11.20.31	PAGE	2	AMIGZ
			OPER	1				
RANGE OF OPTIONS SELECTED:								
FROM TO								
DATE : 6/01/** 6/26/**								
WAREHOUSE : 1								
ITEM NUMBER : BATTERY								
ITEM TYPE : 9								
ITEM CLASS : 9999								
ITEM ACCOUNTING CLASS : 999								
ORDER NUMBER : 9999999								
ORDER ACCOUNTING CLASS : 999								

This report prints when you select option 1 on the Transaction Account Assignment menu. It is generated when you indicate 1=Unassigned, 2=All, or 3=List to the Assign accounts prompt and 1=Yes to the Account assignment reporting prompt on this display. Records appear on this report in transaction type sequence. Records within each transaction type print in the sequence in which they were added to the Transaction file. Only those records matching the optional range limits you specify for those transaction types you select print. If IFM is installed and interfacing, the company and account fields are replaced by unit and nature fields. Refer to the *IFM User's Guide* for more information.

Fields

Transaction types. For IM, the transaction types are:

CA	Cost adjustment
CL	Component transfer to line
CN	Component transfer to stores
CR	Average cost replace
CS	Standard cost replace
CU	Standard unit cost default replacement
IA	Inventory adjustment
IP	Planned manufacture issue
IS	Miscellaneous issue
IU	Unplanned component issue
IW	Interwarehouse issue
IX	Uncontrolled floor stock
MQ	Manufacturing item QC complete
PH	Physical inventory update
PQ	Purchase item QC complete
RC	Miscellaneous receipt
RM	Production receipt
RP	P.O. receipt to stock
RQ	Shelf life expired - reject
RS	Component return to stock
RW	Interwarehouse receipt
SA	Sales shipment
SC	Manufacturing component scrap
SM	Manufacturing order scrap
SP	Purchase order scrap
SQ	QC status change
SS	Scrap from stock
VR	Purchase return to vendor

WAREHOUSE. Code defined by your company that identifies the warehouse in which this item is currently stocked.

ITEM NUMBER. Number of the item, which can be any raw material, manufactured or purchased part, subassembly, assembly, or end item.

ITEM TYPE. Code that best describes the type of item:

0	Phantom
1	Assembly or subassembly
2	Fabricated item
3	Raw material
4	Purchased item
9	User option
F	Feature
K	Kit

ITEM CLASS. Code assigned by your company that identifies the class to which this item belongs. For example, STEL might mean items made of steel.

ITEM ACTG CLS. Class, defined by your company, to group or classify items for accounting purposes.

Schedule order

An authorization to produce an item on a specific production line over a specific time period. Has a prefix of 'S'.

ORDER ACTG CLS. Class, defined by your company, to group or classify orders for accounting purposes.

REASON CODE. Code assigned by your company that indicates the reason for a transaction.

TRANSACTION DATE. Date identifying a specific transaction entered against an order or schedule.

IM CLSG PERIOD. Period close sequence number that is updated during close stock status. Because your manufacturing year may be different from your accounting year, the value you enter in this field does not have to match the general ledger accounting period.

CHARGE. Company and account number combination to receive the charge associated with a specific transaction type.

COMPANY. Unique identifier for a particular company.

This company is assigned to receive the charge amount of the transaction record based upon the rules and priorities you defined in your Account Assignment and Account Sequences files.

ACCOUNT. Account number to be assigned to the charge transaction.

This account number is assigned as the charge account type for the transaction based upon the rules and priorities you defined. If IFM is installed and interfacing, the company and account fields are replaced by unit and nature fields. Refer to the IFM User's Guide for more information.

AMOUNT. The transaction cost reported, depending on the type of transaction. The charge amount always has the actual sign of the transaction as it was reported and shows how the cost is posted to General Ledger.

OFFSET. Company and account number combination to receive the offset associated with a specific transaction type.

COMPANY. Unique identifier for a particular company.

This company is assigned to receive the offset amount of the transaction record based upon the rules and priorities you defined in your Account Assignment and Account Sequences files.

ACCOUNT. Account number to be assigned to the offset transaction.

This account number is assigned as the offset account type for the transaction based upon the rules and priorities you defined. If IFM is installed and interfacing, the company and account fields are replaced by unit and nature fields. Refer to the IFM User's Guide for more information.

AMOUNT. Amount of the transaction.

The amount generated by the program to balance the charge amount reported. The offset amount always prints on the register as the opposite sign of the charge amount.

VARIANCE. Company and account number combination to receive the variance associated with a specific transaction type.

COMPANY. Unique identifier for a particular company.

This company is assigned to receive the variance amount of the transaction record based upon the rules and priorities you defined in your Accounts Assignment and Account Sequences files.

ACCOUNT. Account number to be assigned to the variance transaction.

This account number is assigned as the variance account type for the transaction based upon the rules and priorities you defined. If IFM is installed and interfacing, the company and account fields are replaced by unit and nature fields. Refer to the IFM User's Guide for more information.

AMOUNT. Amount generated by the program to balance the variance amount reported. The variance amount always prints on the register as the difference between the charge amount and the offset amount.

RECORDS ASSIGNED. Total number of records for a transaction type that have been assigned account numbers.

A transaction record is considered assigned when an offset and charge account have been assigned to the transaction record.

RECORDS UNASSIGNED. Number of records for a transaction type that have not been assigned account numbers.

A transaction is unassigned if accounts have not yet been assigned, or if none of the account assignment rules applied to the transaction type.

RECORDS INVALID ACCOUNTS. Total number of records with invalid account numbers.

A transaction has invalid account numbers when either the account to be assigned has been deleted from the general ledger or none of the account assignment rules applies to the transaction type.

RECORDS MULTICOMPANY. Total number of transactions with accounts assigned to more than one company.

RANGE OF OPTIONS SELECTED. Information that prints showing you the range limits you chose when you submitted the job to generate this report.

DATE. Last date that activity was reported on this order.

Advance Shipping Notice/Receiving Advice (AMIPSN0P)

```

AMIPSN0P  JPARK  ** Advance Shipping Notice **  03/06/**  Page  1
                                         **_**_**  *****  **

-----

From:  Glenridge Industries      Ship Date  04/20/**
      Glenridge Connector      Ship Via
      Atlanta      GA 30200      Shipping ID  1
      UNITED STATES

P.O.      FOB      Terms      Qty Ordered
  Item
P011783  QA1  FOB TEST      001  2%10NET30      Qty Shipped
      BATTERY      INTERSTATE HEAVY DUTY      Re1  0      1.000
                        ** Receiving information **      10.000

Quantity Received  Reason  Quantity Returned  Reason  Quantity Rejected  Reason
      8.260      RC      12.000      RT      3.000      RJ

** End of Report **

```

Use the Advance Shipping Notice (ASN) report to see shipments in transit and/or receipt information for the shipment.

This report is printed when you select option 6=Print on the Work with Advance Ship Notices panel (AMIWSN01). While goods are in transit, this report shows general information about the shipment and the items within it, as provided in the ANSI X.12 856 or EDIFACT DESADV transaction received from trading partners using the Electronic Commerce (EC) application.

After you have updated the ASN with receiving information, this report reflects both ASN and receipt information. The fields in the Receiving Information section represent what is sent in the ASNI X.12 861 Receiving Advice transaction using EC.

See the online help text for panel AMIWSN01 for a description of the fields on this report. For further information, see "Option 9. Advance Shipping Notices (AMIM30)".

Annual Usage Extension (AMI2G)

GATEWAY MFG CO		ANNUAL USAGE EXTENSION	DATE 5/31/**	TIME 8.32.02	PAGE 1	AMI2G
				OPER 19		
	ITEMS	TOTAL AMOUNT CUMULATIVE USAGE	TOTAL AMOUNT ON-HAND COST			
SELECTED	37	700,455.0000	270,246.0000			
NOT SELECTED	150					
TOTAL	187					
OPTIONS CHOSEN- WAREHOUSE- ALL ITEM TYPES 1						
ITEM TYPE-1 ASSEMBLY OR SUBASSEMBLY ITEM TYPE-2 FABRICATED ITEM ITEM TYPE-3 RAW MATERIAL ITEM TYPE-4 PURCHASED ITEM ITEM TYPE-9 USER OPTION						
OPTIONAL CALCULATION- ON-HAND COST EQUALS QUANTITY ON HAND X STANDARD UNIT COST						

To print this report, use option 6 on the Status/Analysis menu (AMIM21).

Fields

ITEMS. The number of items selected for this and the ABC Analysis reports.

TOTAL AMOUNT CUMULATIVE USAGE. The sum of annual usage values of selected items, calculated per item as the estimated annual usage multiplied by the unit cost (based on user-selected accounting method).

TOTAL AMOUNT ON-HAND COST. The total amount as selected by one of the following in application tailoring:

- On hand cost. The sum of on hand cost of selected items, calculated per item as the quantity on hand multiplied by the unit cost (based on user-selected accounting method).
- Annual use. The sum of annual usage of selected items, calculated per item as the estimated annual usage multiplied by the price (based on the price factor and the price code in the Item Master record).

NOT SELECTED ITEMS. The number of items not selected for this and the A-B-C Analysis reports.

TOTAL. The number of items on file.

OPTIONS CHOSEN. One or all warehouses.

ITEM TYPES. Valid types are:

- 0** Phantom
- 1** Assembly or subassembly
- 2** Fabricated item
- 3** Raw material
- 4** Purchased item
- 9** User option

OPTIONAL CALCULATION. This field determines the secondary calculation in item above.

Batch/Lot Numbers (AMIQK)

GATEWAY MFG CO		BATCH/LOT NUMBERS				DATE 8/10/**	TIME 16.00.16	PAGE 1	AMIQK
ITEM	WH	LOCATION	QUANTITY	U/M	OLD BATCH/LOT	NEW BATCH/LOT	FIFO DATE	REASON	
200223	ATL	A1AA2E	49.000	CS	BL20	BL30	8/29/**	000006	
GATEWAY MFG CO		BATCH/LOT NUMBERS				DATE 8/10/**	TIME 16.00.16	PAGE 2	AMIQK
		LOCATION QUANTITY FILE	TRANSACTION HISTORY FILE						
SESSION STATUS				1					
RECORDS ADDED				1					
RECORDS CHANGED				1					
*** END OF PRINT ***									

To print this report, use option 2 on the Location Control menu (AMIM79).

Fields

ITEM. The item number.

WH. The warehouse code.

LOCATION. The stock location code.

QUANTITY. The item quantity.

U/M. The stocking unit of measure.

OLD BATCH/LOT. The batch/lot number that was changed.

NEW BATCH/LOT. The new batch or lot number.

FIFO DATE. If FIFO control is not active, this field shows the original transaction date.

REASON. The user-defined code that indicates the reason for the batch/lot number change.

SESSION STATUS.

RECORDS ADDED. The number of records added to the Transaction History file during the session.

RECORDS CHANGED. The number of records changed' in the Location Quantity file during the session.

Batch/Lot Quality Control Status (AMIQF)

GATEWAY MFG CO		BATCH/LOT QUALITY CONTROL STATUS				DATE 8/10/**	TIME 16.00.16	PAGE 1	AMIQF
ITEM	WH	LOCATION	QUANTITY	U/M	BATCH/LOT	FIFO DATE	QC TYPE	QC DUE DATE	REASON
200223	ATL	A1AA2D	280.000	CS	BL70	8/27/**	CHECKED	12/03/**	
GATEWAY MFG CO		BATCH/LOT QUALITY CONTROL STATUS				DATE 8/10/**	TIME 16.00.16	PAGE 2	AMIQF
FILE		LOCATION		TRANSACTION					
SESSION STATUS		QUANTITY		HISTORY					
RECORDS ADDED				1					
RECORDS CHANGED		1							
*** END OF PRINT ***									

To print this report, use option 1 on the Location Control menu (AMIM79).

Fields

ITEM. The item number.

WH. The warehouse code.

LOCATION. The stock location code.

QUANTITY. The item quantity.

U/M. The stocking unit of measure.

BATCH/LOT. The batch or lot number.

FIFO DATE. If FIFO control is not active, this field shows the original transaction date.

QC TYPE. The quality control type.

QC DUE DATE. The next quality control due date.

REASON. A user-defined reason.

SESSION STATUS.

RECORDS ADDED. The number of records added to each file during the session.

RECORDS CHANGED. The number of records changed in each file during the session.

Batch/Lot Review—Reports (AMISI1, AMISI2, AMISI3)

NORTHCREEK IND.		BATCH/LOT REVIEW				8/10/**		TIME 16.00.16	PAGE 1	AMISI1						
DATE	CODE	ITEM	ORDER/ SCHED	QUANTITY	UM	BATCH/LOT	WH/STK	LOC	DATE	REFERENCE	C	REASON	C	Q	NEW	GRN
2/15/**	RP	12114	P000002	5.000	EA	BL100	ATL	B10121A	2/15/**	TEST						
ITEM FROM BEGINNING TO END BATCH/LOT FROM BEGINNING TO END ORDER FROM BEGINNING TO END TRANSACTION DATE FROM BEGINNING TO END REASON CODE FROM BEGINNING TO END WAREHOUSE ATL TRANSACTION CODE ALL FIFO OPERATION/ C GRN#-123-4567-89012-345-67																
2/16/**	SA	12114	01-C00000001	9999999.000	EA	BL125	ATL	B10243A				C BR371		1		
2/15/**	TW	21588		5.000	LB	BL100	ATL		2/15/**							ATL
2/15/**	TW	21588		25.123	LB	BL100	ATL	A10212A	2/15/**	ITW						ATL
2/15/**	TW	21588		6.321	LB	BL101	ATL	A10212B	2/15/**	12ATW						ATL
6/05/**	RI	200207	PURCH10	10.000	EA	BL125	ATL	BP99	2/15/**							A10212B
5/23/**	LQ	200207	PURCH10	10.000	EA	BL125	ATL	A1A2W								9
6/12/**	LA	200208	P000010	1.000		BL1	ATL	AAAAS								1
6/12/**	LA	200208		1.000		BL23	ATL	BP14								2
5/14/**	SQ	200223	P300020	210.000	CS	BL30	ATL	B1EE4C								GRN2
5/15/**	SQ	200223	P300020	210.000	CS	BL30	ATL	B1EE4C				SP				2
5/15/**	SQ	200223	P300020	84.000	CS	BL40	ATL	B1EE4C								1
5/15/**	CQ	200223		80.000	CS	BL70	ATL	A1AA2D								6
G401																

*** END OF PRINT ***

To print this report, use option 2 on the Transaction History menu (AMIM80).

These reports show the selected transaction history, sorted by item number, batch/lot number, or order number.

Select option 1 on the Batch/Lot Review (Select) display (AMI2U4) to print report AMISI1. Select option 2 on display AMI2U4 to print report AMISI2. Select option 3 on display AMI2U4 to print report AMISI3.

A listing of the ranges of information is printed on the report, based on the limits you specified on display AMI2U4. If you did not specify limits, **BEGINNING** and **END** appear. Ranges include:

- **ITEM FROM** and **TO**
- **BATCH/LOT FROM** and **TO**
- **ORDER FROM** and **TO**
- **TRANSACTION DATE FROM** and **TO**
- **REASON CODE FROM** and **TO**.

The warehouse and transaction codes entered on display AMI2U4 appear. If you did not specify codes, ALL appears.

Fields

DATE. The date the transaction was entered.

CODE. A two-letter code that identifies the type of transaction.

ITEM. The number of the item involved in the transaction.

ORDER/SCHED. The number of the manufacturing, purchase, or customer orders or schedules related to the transaction.

QUANTITY. The item quantity used in the transaction.

UM. The unit of measure entered with the transaction.

BATCH/LOT. The number of the batch or lot used in the transaction.

WH/STK LOC. Alphanumeric codes identifying the primary stocking location for the item.

FIFO DATE. The date when the item was received into stock. This field only appears if the FIFO option is active.

OPERATION. The operation sequence number for this transaction.

REFERENCE. The user-defined reference code or information entered with the transaction.

CC. A code that identifies the inventory status of the related order. The codes are:

C	Complete order
P	Partial receipt (default value)
R	Reopen a previously completed order
blank	Open order.

REASON. The reason code assigned to the transaction when it was entered.

QC. A code that identifies the quality control status of the item quantity used in the transaction. The codes are:

- 1** SHELF LIFE/CHK (Shelf Life/Checked). The item is within its shelf life; inspection is not yet required.
- 2** NO SHELF LIFE. The item does not have a specified shelf life.
- 6** DUE INSPECTION. The item is waiting for inspection due to expiration of shelf life.
- 7** MFG WAITING (Manufactured Item Waiting). The item is to be inspected on receipt from manufacturing.
- 8** REJECT. The item is rejected, waiting disposal or rework.
- 9** PCH WAITING (Purchased Item Waiting). The item is to be inspected on receipt from the vendor.

NEW BATCH/LOT. The number of the new batch or lot used in the transaction.

NEW WH/STK LOC. The alphanumeric codes identifying the new primary stocking location for the item. This field is used only for an interwarehouse transfer transaction or a QC transaction with partial approval.

GRN. Goods received note number. The number of the goods received note related to the transaction. This field appears only if the GRN system is active.

Bulk Store Areas (AMICD)

GATEWAY MFG CO	BULK STORE AREAS	DATE 8/10/** OPER 33	TIME 16.00.16	PAGE 1	AMICD
	WH STORE AREA ACTION				
	ATL ST 03 DELETED				
GATEWAY MFG CO	BULK STORE AREAS	DATE 8/10/** OPER 33	TIME 16.00.16	PAGE 2	AMICD
	LOCATION DETAIL				
SESSION STATUS					
RECORDS ADDED	0				
RECORDS DELETED	1				

To print this report, use option 5 on the Location Control menu (AMIM79).

Fields

WH. The warehouse code.

STORE AREA. The bulk store area ID.

ACTION. The maintenance action taken on the listed record. One of the following appears:

- ADDED
- DELETED.

SESSION STATUS.

RECORDS ADDED. The number of records added to the file during the session.

RECORDS DELETED. The number of records deleted from the file during the session.

I

Calendar File Load (AMI7H1)

GATEWAY MFG CO	CALENDAR FILE LOAD			DATE	8/10/*5	TIME	12.32.21	PAGE	1	AMI7H1
YEAR	WORKDAYS	NONWORKDAYS	HOLIDAYS	DATE						
				1/01/*6						
				5/29/*6						
				7/04/*6						
				9/04/*6						
				11/22/*6						
				12/25/*6						
19*6	254	105	6							
				1/01/*7						
				5/28/*7						
				7/04/*7						
				9/03/*7						
				11/22/*7						
				12/25/*7						
19*7	254	105	6							
				1/01/*8						
				5/25/*8						
				7/06/*8						
				9/07/*8						
				11/26/*8						
				12/25/*8						
19*8	255	104	6							
				1/02/*9						
				5/29/*9						
				7/04/*9						
				9/04/*9						
				11/23/*9						
				12/25/*9						
19*9	256	104	6							
				1/01/*0						
				5/28/*0						
				7/04/*0						
				9/03/*0						
				11/22/*0						
				12/25/*0						
19*0	255	104	6							
TOTAL	1274	522	30							

To print this report, select Recreate Calendar File in the Calendar File Maintenance folder.

Fields

YEAR. Year defined in the Calendar file.

WORKDAYS. The number of workdays in a year.

NONWORKDAYS. The number of nonworkdays in a year.

HOLIDAYS. The number of holidays in a year.

DATE. The dates of the holidays.

TOTAL. The total number of workdays, nonworkdays, and holidays.

Contents of Bulk Store Area (AMIWE)

GATEWAY MFG CO		CONTENTS OF BULK STORE AREA ALL - WAREHOUSE 1		DATE 8/10/**	TIME 16.00.00	PAGE 1	AMIWE
BULK STORE AREA	ITEM	DESCRIPTION	QUANTITY	U/M	GRN		
WIP	200205	BEIGE THREAD	8.000	EA			
	100101	CASE TOP	1.000	EA		GRN#-123-4567-89012-345-67	
02	50002	RED PENS	10.000				
	50007	YELLOW PENCILS	15.000				
03	**NO ITEMS IN THIS LOCATION**						
55	100104	FRONT POCKET	10.000	EA			
	100104	FRONT POCKET	18.000	EA			
	100106	PART FOR CASE BOTTOM	61.000	EA			
	200200	LEATHER	20.000	EA			
	200205	BEIGE THREAD	10.000	EA			
56	**NO ITEMS IN THIS LOCATION**						
*** END OF PRINT ***							

To print this report, use option 7 on the File Listings menu (AMIM23). This report includes bulk store areas and warehouses.

Fields

BULK STORE AREA. Each bulk store area selected for the report appears.

ITEM. The items stored in each area appear.

DESCRIPTION. The item description appears.

QUANTITY. Item quantity.

U/M. The stocking unit of measure. This field does not appear for miscellaneous items.

GRN. Goods received note number.

Contents of QC Area (AMIWG)

NORTHCREEK IND.		CONTENTS OF QC AREA ALL - WAREHOUSE 1				DATE 8/10/**	TIME 16.00.16	PAGE 1	AMIWG
QC AREA	ITEM	DESCRIPTION	QUANTITY	U/M	FIFO DATE	BATCH/LOT	QC TYPE	QC DUE DATE	GRN
01	200223	BROWN DYE	53.000	CS	7/13/**	BL80B	REJECT	N/A	
	200223	BROWN DYE	40.000	CS	6/15/**	BL05	CHECKED	8/01/**	GRN#-1234-567-8901-234-567
	200223	BROWN DYE	1.000	CS	8/12/**	BL80B	QC DUE	8/07/**	GRN#-1234-567-8901-234-567
	100121	PART FOR CASE TOP	8.000	EA	5/22/**		WAITING	N/A	
03	**NO ITEMS IN THIS LOCATION**								
*** END OF PRINT ***									

To print this report, use option 6 on the File Listings menu (AMIM23). This report includes QC (quality control) areas and warehouses.

Fields

QC AREA. Each quality control area selected for the report appears.

ITEM. The item number(s) for each quality control area appear. The same item number may appear more than once if it has different FIFO dates or Batch/Lot numbers.

DESCRIPTION. Item description.

QUANTITY. The number of items in the QC area.

U/M. The stocking unit of measure.

FIFO DATE. The date the item is received in stock, whether at approved or unapproved status.

BATCH/LOT. The batch or lot number.

QC TYPE. This field appears only if quality control is active. One of the following appears:

WAITING. Item is waiting for inspection on receipt.

QC DUE. Item is waiting for inspection due to expired shelf life.

CHECKED. Inspection not currently required, item is within shelf life.

REJECT. Item is rejected, waiting disposal or rework.

N/A. Quality control inspection not applicable for this item.

QC DUE DATE. The date quality control is due for the item. If the item does not have QC control, N/A appears.

GRN. Goods received note number.

Control Total—Item Balance File (AMI2N)

GATEWAY MFG CO	CONTROL TOTAL - ITEM BALANCE FILE	DATE 8/10/**	TIME 8.43.14	PAGE 1	AMI2N
QUANTITY ON-HAND	686,682.000	QUANTITY ISSUED THIS PERIOD			545,969.000
ON-ORDER PRODUCTION QUANTITY	5,120.000	QUANTITY ISSUED THIS YEAR			4,471,190.000
ON-ORDER PURCHASE QUANTITY	102,957.000	QUANTITY RECEIVED THIS PERIOD			3,000.000
MANUFACTURING ALLOCATED QUANTITY	18,862.000	QUANTITY ADJUSTED THIS PERIOD			33,829.000-
PICK LIST REQUIREMENTS	.000	QUANTITY USED THIS PERIOD			584,991.000
QUANTITY SOLD THIS PERIOD	74,679	QUANTITY USED THIS YEAR			4,973,626.000
QUANTITY SOLD THIS YEAR	17,802	USAGE COST THIS PERIOD			832,090.69
STANDARD UNIT COST	45.8797	USAGE COST THIS YEAR			9,330,813.74
AVERAGE UNIT COST	440.8475	ITEM COST AMOUNT THIS PERIOD			136,168.85
LAST UNIT COST	447.7731	ITEM COST AMOUNT THIS YEAR			1,633,245.85
	TOTAL ON-HAND COST				666,529.2352
	ITEM SALES AMOUNT THIS PERIOD				228,791.47
	ITEM SALES AMOUNT THIS YEAR				2,306,505.00
NUMBER OF ACTIVE RECORDS					187

To print this report, use option 2 on the Inventory Reports menu (AMIM22).

The quantity, cost, and amount fields are accumulated across all warehouses (from all the active and suspended records) in the Item Balance file.

Fields

QUANTITY ON-HAND. Total quantity of the item currently in stock.

QUANTITY ISSUED THIS PERIOD. This Month or This Period appears, depending on application tailoring. This field is for internal department use.

ON-ORDER PRODUCTION QUANTITY. Quantity open on manufacturing orders.

QUANTITY ISSUED THIS YEAR. This field is for internal department use.

ON-ORDER PURCHASE QUANTITY. Quantity open on purchasing orders.

QUANTITY RECEIVED THIS PERIOD. This Month or This Period appears, depending on application tailoring.

MANUFACTURING ALLOCATED QUANTITY. Quantity allocated to manufacturing orders.

QUANTITY ADJUSTED THIS PERIOD. This Month or This Period appears, depending on application tailoring.

PICK LIST REQUIREMENTS. The customer order allocations.

QUANTITY USED THIS PERIOD. This Month or This Period appears, depending on application tailoring. The quantity consists of issues plus sales, plus or minus adjustments.

QUANTITY SOLD THIS PERIOD. This Month or This Period appears, depending on application tailoring.

QUANTITY USED THIS YEAR. The quantity consists of issues plus sales, plus or minus adjustments.

QUANTITY SOLD THIS YEAR. Quantity of the item sold this year.

USAGE COST THIS PERIOD. This Month or This Period appears, depending on application tailoring.

STANDARD UNIT COST. A numeric value with four decimal places. The default value is the unit cost default field in the Item Master file record. This field is also referred to as standard cost and can be changed by a Standard Cost Replace transaction (CS).

USAGE COST THIS YEAR. The year-to-date usage cost for this item. This includes both the cost of items sold and the cost of items removed from stock but not sold.

AVERAGE UNIT COST. A numeric value with four decimal places. The default value is the unit cost default field in the Item Master file record. This field is calculated for each costed receipt transaction and cost adjustment transaction.

ITEM COST AMOUNT THIS PERIOD. The cost of items sold. This Month or This Period appears, depending on application tailoring.

LAST UNIT COST. A numeric value with four decimal places. The default value is the unit cost default field in the Item Master file record. This field is calculated for each costed receipt transaction and cost adjustment transaction.

ITEM COST AMOUNT THIS YEAR. The cost of items sold to date this year.

TOTAL ON-HAND COST. The value of on hand inventory. This is the quantity on hand multiplied by the selected unit cost.

ITEM SALES AMOUNT THIS PERIOD. The period-to-date amount of sales for the item. Depending on application tailoring, the field heading indicates either THIS MONTH or THIS PERIOD.

ITEM SALES AMOUNT THIS YEAR. The year-to-date amount of sales for the item.

NUMBER OF ACTIVE RECORDS. The total number of active Item Balance records that are included for this run.

Cost Total Sheet–Closed Orders (AMI4K2)

C O S T S	THIS PERIOD	TOTAL TO DATE	VALUATION OF SCRAP INCLUDED IN TOTAL ACTUAL COSTS
<small>NORTHCREEK IND. NO. 01 COST TOTAL SHEET CLOSED ORDERS DATE 11/03/** TIME 11.41.00 PAGE 2 AMI4K2</small>			
SETUP	.00	.00	
LABOR	1,930.00	1,930.00	
OVERHEAD	4,825.00	4,825.00	
MATL & PUR	12,814.30	12,814.30	
MISCELLANEOUS	20.00	20.00	

TOTAL ACTUAL	19,589.30	19,589.30	
MINUS RECEIPTS	13,778.76	13,778.76	

WORK IN PROCESS	5,810.54	5,810.54	5,975.90

To print this report, use option 6 on the Order Release and Closeout menu (AMIM40).

Fields

COSTS. Costs broken down by the following cost types:

- Setup
- Labor
- Overhead
- Raw material and purchased items
- Miscellaneous charges.

VALUATION OF SCRAP INCLUDED IN TOTAL ACTUAL COSTS. The value of inventory that was rejected as scrap.

TOTAL ACTUAL. The total actual manufacturing costs of closed orders.

MINUS RECEIPTS. The manufactured items on the closed orders received to stock and valued at the cost (standard, average, last) that you selected during application tailoring.

WORK IN PROCESS. The difference between total actual costs and costed receipts. A positive figure indicates that production cost exceeded the value of received items. A negative figure indicates a favorable variance, that production costs were less than the value of received items.

Create Ledger Entries Register (AMIGX)

MDQ INC. NO. 01 CREATE LEDGER ENTRIES REGISTER DATE 10/22/** TIME 17.35.47 PAGE 1 AMIGX
OPER #2

JOURNAL ENTRY DATE: 9/25/**
JOURNAL REFERENCE #: IM0000700000

DATE	WAREHOUSE	NUMBER	ITEM TYPE	CLASS	AC CL	NUMBER	ORDER AC CL	REASON CODE	ACCT TYPE	AMOUNT
TRANSACTION TYPE			IP	ACCOUNT	930					
10/01/**	1		COMPONENT-03	4		M000100			1	625.00- *
10/01/**	1		COMPONENT-03	4		M000100			1	625.00- *
10/15/**	1		COMPONENT-03	4		M000750			1	1.25- *
10/15/**	1		COMPONENT-03	4		M000750			1	1.25- *
TRANSACTION TYPE			LOHD	ACCOUNT	930					
10/01/**	1		COMPONENT-03	4		M000100			2	625.00 *
10/01/**	1		COMPONENT-03	4		M000100			2	625.00 *
10/15/**	1		COMPONENT-03	4		M000750			2	1.25 *
10/15/**	1		COMPONENT-03	4		M000750			2	1.25 *
TOTAL TRANSACTION IP OFFSET ENTRIES										1,252.50 *
TOTAL DEBITS THIS JOURNAL										1,252.50
TOTAL CREDITS THIS JOURNAL										1,252.50

*** SUMMARY *** CREATE LEDGER ENTRIES REGISTER DATE 10/22/** TIME 17.35.47 PAGE 2 AMIGX
OPER #2

JOURNAL ENTRY DATE: 9/25/**

**** FINAL TOTALS ****

DEBIT AMOUNT	1,252.50
CREDIT AMOUNT	1,252.50

MAPICS XA NO. 01 CREATE LEDGER ENTRIES REGISTER DATE 10/22/** TIME 17.35.47 PAGE 3 AMIGX
OPER #2

JOURNAL ENTRY DATE: 9/25/**

RANGE OF OPTIONS SELECTED: FROM TO

DATE : 0/00/** 99/99/**
IM CLOSING PERIOD : 99
WAREHOUSE : 999
ITEM NUMBER : 999999999999999
ITEM TYPE : 9
ITEM CLASS : 9999
ITEM ACCOUNTING CLASS : 999
ORDER NUMBER : 9999999
ORDER ACCOUNTING CLASS : 999
REASON CODE : 999999

* - THE AMOUNT WRITTEN TO THE TEMPORARY GENERAL LEDGER FILE

This report prints when you select option 1 on the General Ledger Management menu. It prints the selections you specify on the Create Ledger Entries display (AMIG301). It provides an audit trail for the general ledger entries you created.

Fields

JOURNAL ENTRY DATE/PERIOD. Valid date or period number used when posting the transactions to General Ledger.

JOURNAL REFERENCE #. Sequential number assigned by the application to indicate the number of this journal.

DATE. Last date that activity was reported on this order.

WAREHOUSE. Code defined by your company that identifies the warehouse in which this item is currently stocked.

ITEM NUMBER. Number of the item, which can be any raw material, manufactured or purchased part, subassembly, assembly, or end item.

Code that best describes the type of item:

0	Phantom
1	Assembly or subassembly
2	Fabricated item
3	Raw material
4	Purchased item
9	User option
F	Feature
K	Kit

ITEM CLASS. Code assigned by your company that identifies the class to which this item belongs. For example, STEL might mean items made of steel.

ITEM AC CL. Class, defined by your company, to group or classify items for accounting purposes.

Schedule order

An authorization to produce an item on a specific production line over a specific time period. Has a prefix of 'S'.

ORDER AC CL. Class, defined by your company, to group or classify orders for accounting purposes.

REASON CODE. Code assigned by your company that indicates the reason for a transaction.

Code that identifies how the transaction amount originated:

1	Charge
2	Offset
3	Variance

The sign of the amount determines whether it becomes a debit or credit to General Ledger.

AMOUNT. Total amount of the original transaction.

For IM, the transaction types are:

CA	Cost adjustment
-----------	-----------------

CL	Component transfer to line
CN	Component transfer to stores
CR	Average cost replace
CS	Standard cost replace
CU	Standard unit cost default replacement
IA	Inventory adjustment
IP	Planned manufacture issue
IS	Miscellaneous issue
IU	Unplanned component issue
IW	Interwarehouse issue
IX	Uncontrolled floor stock
MQ	Manufacturing item QC complete
PH	Physical inventory update
PQ	Purchase item QC complete
RC	Miscellaneous receipt
RM	Production receipt
RP	P.O. receipt to stock
RQ	Shelf life expired - reject
RS	Component return to stock
RW	Interwarehouse receipt
SA	Sales shipment
SC	Manufacturing component scrap
SM	Manufacturing order scrap
SP	Purchase order scrap
SQ	QC status change
SS	Scrap from stock
VR	Purchase return to vendor

ACCOUNT. Number of the account to be charged for the item.

TOTAL TRANSACTION (TYPE) OFFSET ENTRIES. Total amount of the transaction type.

TOTAL DEBITS / CREDITS THIS JOURNAL. Final debit and credit totals for the entire report.

FINAL TOTALS.

DEBIT AMOUNT

CREDIT AMOUNT. Journal debit and credit totals

RANGE OF OPTIONS SELECTED. Information that prints showing you the range limits you chose when you submitted the job to generate this report.

IM CLOSING PERIOD. Period close sequence number that is updated during close stock status. Because your manufacturing year may be different from your accounting year, the value you enter in this field does not have to match the general ledger accounting period.

Customer Order Shortage Report-Follow-up Analysis (AMI4W3)

ORDER	SALESREP	CUSTOMER						
FESKO FREIGHT			CUSTOMER ORDER SHORTAGE REPORT			DATE 11/05/** TIME 13.28.06 PAGE 1 AMI4W3		
			--- FOLLOW-UP ANALYSIS ---			OPER 18		
			SCHEDULED RECEIPTS-			INCLUDED		
			MANUFACTURE REQUIREMENTS-			INCLUDED		
			CUSTOMER REQUIREMENTS-			INCLUDED		

01-C00000007	31901	00001900						
ITEM	WH	DESCRIPTION	TYP	SEQUENCE	RELEASE	REQ DATE	REQ QTY	
01-08800	A	UT4-48"2 LITE SHOP LITE	1	0000001	00001	12/03/**	1.000	
02892	A	LOCK CLIP	4	0000001		6/08/**	199.000	A

01-C00000010	31901	00001900						
ITEM	WH	DESCRIPTION	TYP	SEQUENCE	RELEASE	REQ DATE	REQ QTY	
27007-A1	PL1	BASE ASSEMBLY	1	0000001	00001	12/03/**	50.000	A
27007-A1	PL1	BASE ASSEMBLY	1	0000001	00002	6/08/**	50.000	A

01-C00000011	31901	00001900						
ITEM	WH	DESCRIPTION	TYP	SEQUENCE	RELEASE	REQ DATE	REQ QTY	
27007-A1	PL1	BASE ASSEMBLY	1	0000001	00001	11/03/**	100.000-	A
27007-A1	PL1	BASE ASSEMBLY	1	0000002		11/03/**	100.000-	A

01-C00000296	281	05726500						
ITEM	WH	DESCRIPTION	TYP	SEQUENCE	RELEASE	REQ DATE	REQ QTY	QUANTITY SHORT JIT
4CYL	A	4 CYL ENGINE OPT	9	0000001	00001	11/03/**	1,111,155.000	AB 1,111,155.000 Y SHORT ***
5SP	A	5 SPD MANUAL TRANS OPT	9	0000001		11/03/**	35.000	AB 35.000 Y SHORT ***
6CYL	A	6 CYL ENGINE OPT	9	0000001		11/03/**	305.000	AB 305.000 Y SHORT ***
8CYL	A	8 CYL ENGINE OPT	9	0000001		11/03/**	130.000	AB 130.000 Y SHORT ***

NUMBER OF ORDERS PRINTED -			4	ORDERS SHORT -		1		

To print this report, use option 3 on the Inventory Reports menu (AMIM40). You can print this report only if COM is installed and interfacing. Scheduled orders are printed if Repetitive is installed and interfacing.

Depending on your responses on displays AMI2P1 and AMI2P2, scheduled receipts and orders and manufacturing and customer requirements indicate whether quantities are included in the calculations for **QUANTITY SHORT**.

This report is time-phased. The shortage quantities are calculated using the actual detail of allocations and scheduled receipts by scheduled date.

Fields

ORDER. The order number includes company number and order type.

SALESREP. The salesrep number.

CUSTOMER. The customer number.

REQ DATE. The requested date. This date is printed only for blanket orders.

BLANKET. This message indicates a blanket order.

ITEM. The item number.

WH. The warehouse in which the item is stocked.

DESCRIPTION. The description of the item.

TYP. Types are:

F	Feature
0	Phantom
1	Assembly or subassembly
2	Fabricated item
3	Raw material
4	Purchased item
9	User option

SEQUENCE. Control number assigned by IM or COM that uniquely identifies an item for the order. This number is not the line item sequence number from a customer order.

RELEASE. [Blanket release number from a customer order.](#)

REQ QTY. The required quantity. A code to the right indicates the status of a customer requirement:

A	Allocated
B	Backordered
AB	Allocated, previously backordered

QUANTITY SHORT. The additional quantity necessary to complete this order and all other orders which require this item prior to this required date, including manufacturing requirements if they were selected to be included and considering scheduled receipts if they were selected to be included.

SHORT. Items with insufficient available quantity (on hand minus previous requirements plus previous scheduled receipts) are flagged.

NUMBER OF ORDERS PRINTED. The number of orders printed which are short. This number is not printed if the option to print only orders which are short or only orders which are not short was selected.

ORDERS SHORT. Option to print only orders which are short or only orders which are not short, if selected.

Cycle Count/Physical Inventory List for Controlled/Uncontrolled Warehouses (AMI5B)

GATEWAY MFG CO	PHYSICAL INVENTORY LIST FOR CONTROLLED WAREHOUSES				DATE 8/10/**	TIME 15.26.17	PAGE 1	AMI5B	
SEQUENCED BY ITEM									
CYCLE COUNT DUE DATES BEFORE 6/10/**									
ITEM NUMBERS FROM 77683 TO 89214									
WHSE NO.	DEFAULT LOCATION	ITEM CLASS LINE	ITEM NUMBER BATCH/LOT	ITEM DESCRIPTION FIFO DATE	U/M	ACTUAL COUNT	QUANTITY ON-HAND	CYC CNT	DATE OF LAST COUNT
ATL #	ADAAAAB	2000 LD92	00217	PUMP ASSEMBLY	EA	98.000	4**	5/23/**	
			4/11/**			8.000			
	A101C1	B98				25.000			
	A101C2	BL10				20.000			
	ST 98					35.000			
	VL03	BB				10.000			
ATL		15 10876		BOLT 1/4 X 3	EA	1,362.000	3	5/21/**	
	AA02AAA	BL861				3.000-			
	AE01AAB	BL45				745.000			

-NOTE- DEFAULT STOCKING LOCATION
TOTAL NUMBER OF ITEMS LISTED 2

NOTE- ** ITEM ALREADY IN CYCLE COUNT

To print this report, use option 2 on the Physical Inventory menu (AMIM50). The header identifies the warehouse and how the report is sequenced. The sequences can be by:

- Item number
- Warehouse
- Stock location
- Cycle count due dates.

The ranges for the report can be:

**CYCLE COUNT DUE DATES BEFORE
ITEM NUMBERS FROM/TO.**

Fields

WHSE NO. The warehouse in which this item is located.

DEFAULT LOCATION. A code indicating the item's location in the warehouse. If you are using default location support and this report is for a controlled warehouse, this field contains the default location taken from the Item Balance file.

ITEM CLASS. A code identifying the class for this item according to user-determined classification of items by group.

ITEM NUMBER. Number of the item.

ITEM DESCRIPTION. Description of the item.

U/M. The unit of measure. The basic unit of measure in which the item quantity is expressed.

ACTUAL COUNT. When you use this report as a worksheet, write in the total count of all items by item number, item class, or stock location, depending on the limit selection sequence chosen.

QUANTITY ON-HAND. You can specify that this field not be printed if blind counts are to be taken. If an item's on-hand balance has gone negative since the last time it was counted, it will appear on this report because the force count flag was set on.

CYC CNT.

0 No cycle count

1 Monthly

2 Quarterly

3 Semiannually

4 On demand. It has previously been selected for counting, but its physical count has not yet been processed. Double asterisks (**) indicate that item is already in cycle count.

DATE OF LAST COUNT. If you are using uncontrolled warehouses, no data is printed in the following three fields:

LOCATION. The stock location of the item.

LINE. If Repetitive is installed and interfacing, an L prints in this field if the location field is a line location.

BATCH/LOT. If you chose the batch/lot option during application tailoring, and it applies to this item, the batch or lot number is printed.

FIFO DATE. If you chose the FIFO option during application tailoring, the date the item was received in stock is printed.

TOTAL NUMBER OF ITEMS LISTED. The number of items included on this report.

Cyclic QC Due/Overdue (AMIQB3)

GATEWAY MFG CO		CYCLIC QC DUE - OVERDUE LOOKAHEAD DATE 8/21/**				DATE 8/10/**		TIME 16.00.16	PAGE 1	AMIQB3
WAREHOUSE - ALL										
WH	ITEM	DESCRIPTION	QUANTITY	U/M	BATCH/LOT	STK LOC	LINE	FIFO DATE	QC DUE DATE	OVERDUE
ATL	100100	BRIEFCASE	10.000	EA	BL1	BIEE4G	L	4/10/**	8/02/**	Y
ATL	100100	BRIEFCASE	20.000	EA	BL888	A1AA2U	L	5/14/**	8/02/**	Y
ATL	100100	BRIEFCASE	1.000	EA	BL0008	BT32		5/14/**	8/02/**	Y
ATL	100161	LIN PKT 1	84.000	EA	BL310	A1AA2G		5/14/**	7/31/**	Y
ATL	100166	LIN FRT PKT	70.000	EA	B1	MMMMM2		6/15/**	8/05/**	Y
ATL	200207	GLUE	100.000	EA	BL400	BIEE4K		6/20/**	8/02/**	Y
ATL	200207	GLUE	50.000	EA	BL401	BIEE4L		7/15/**	8/02/**	Y
ATL	200223	BROWN DYE	250.000	CS	BL50	C1GG5B		4/20/**	8/09/**	Y
ATL	200223	BROWN DYE	33.000	CS	BL2233	BP57		3/15/**	5/22/**	Y
ATL	200223	BROWN DYE	12.000	CS	BL56	BBBBBB		3/20/**	4/01/**	Y
ATL	200224	WINE DYE	100.000	CS	B15	MMMMM2		8/15/**	8/19/**	
ATL	200226	BEIGE DYE	50.000	CS	B9	BIEE4H		9/25/**	8/19/**	
ATL	200227	GRAY DYE	100.000	CS	BL1001	MMMMM4		5/01/**	5/08/**	Y
ATL	200230	HANDLE PLATE	100.000	EA	LB1	D1JJ8W		5/10/**	5/18/**	Y

*** END OF PRINT ***

To print this report, use option 5 on the Inventory Reports menu (AMIM22).

The look-ahead date and the warehouse code typed in on the Select display (AMIQA1) appears. If no date was entered, the system date appears. All items with quality control inspection due on or before this date are listed on the report. If no code was entered, ALL appears.

Fields

WH. The warehouse code associated with each item listed.

ITEM. The item number.

DESCRIPTION. Description of the item.

QUANTITY. The number of items waiting for inspection.

U/M. The stocking unit of measure.

BATCH/LOT. Batch or lot number.

STK LOC. If the location is a quality control (QC) or a bulk store (ST) area, it prints with a space between the QC and ST prefix and the area number.

LINE. If Repetitive is installed and interfacing, an L prints in this field if the location field is a line location.

FIFO DATE. The date the item was received in stock, whether at approved or unapproved status.

QC DUE DATE. The date quality control inspection is (or was) due for the item.'

OVERDUE. Overdue for inspection. Y appears if the item is overdue for inspection. Selecting this report for printing sets the QC Due indicator on for all items whose shelf life expired on or before the date the report was run. Items whose shelf life expires between the report date and the look-ahead date are printed on the report but are still available for use.

Discrete Allocation Worksheet by Item—Batch/Lot (AMINK)

GATEWAY MFG CO	DISCRETE ALLOCATION WORKSHEET BY ITEM - BATCH/LOT	DATE 8/10/** TIME 16.00.16	PAGE 1	AMINK		
ASCENDING ITEM FROM BEGINNING TO END BATCH/LOT FROM BEGINNING TO END FIFO DATE FROM BEGINNING TO END						
ITEM	DESCRIPTION	BATCH/LOT	FIFO DATE	WH/LOCATION	ON HAND QTY	QTY NOT ALLOCATED
100145	PART FOR INSIDE POCKET				250.000	250.000 *
		BL220	9/07/**	ATL T4025A	20.000	20.000
		BL220	2/27/**	ATL BE04	60.000	60.000
		BL220	2/27/**	ATL A1AA2S	60.000	60.000
					140.000	140.000 *
		BL44	5/22/**	ATL BP12	9.000	9.000
					9.000	9.000 *
				ITEM TOTALS	399.000	399.000
100161	LIN PKT 1				25.000	25.000 *
		BL300	2/28/**	ATL BE12	25.000	25.000 *
		BL310	1/15/**	ATL A1AA2G	100.000	100.000 *
					100.000	100.000 *
				ITEM TOTALS	125.000	125.000
*** END OF PRINT ***						

To print this report, use option 5 on the Transaction Processing menu (AMIM22).

If you selected a sequence for the report, ASCENDING or DESCENDING appears in the header. A listing of the ranges of information is printed on the report, based on the limits you specified. If you did not specify limits, **BEGINNING** and **END** appear. Ranges include:

- **ITEM FROM** and **TO**
- **BATCH/LOT FROM** and **TO**
- **FIFO DATE FROM** and **TO**.

Fields

ITEM. The item number.

DESCRIPTION. Description of the item.

BATCH/LOT. Batch or lot number.

FIFO DATE. If FIFO control is not active, the original transaction date appears.

WH/LOCATION. Warehouse and location code.

ON HAND QTY. Quantity on hand.

QTY NOT ALLOCATED. An asterisk following this field indicates the quantities shown are batch/lot totals for the item.

ITEM TOTALS. The quantity totals for each item.

Discrete Allocation Worksheet by Item—FIFO Date (AMINL)

ITEM	DESCRIPTION	FIFO DATE	BATCH/LOT	WH/LOCATION	ON HAND QTY	QTY NOT ALLOCATED
<small>GATEWAY MFG CO DISCRETE ALLOCATION WORKSHEET BY ITEM -FIFO DATE DATE 8/10/** TIME 16.00.16 PAGE 1 AMINL</small> <small>ASCENDING</small> <small>ITEM FROM BEGINNING TO END</small> <small>FIFO DATE FROM BEGINNING TO END</small> <small>BATCH/LOT FROM BEGINNING TO END</small>						
00145	PART FOR INSIDE POCKET	5/15/**	BL220	ATL A1AA2S	60.000	60.000
0.000	60.000	5/15/**	BL170	ATL D1JJ8F	62.000 122.000	62.000 122.000 *
		5/22/**	BL44	ATL BP12	9.000 9.000	9.000 9.000 *
		5/23/**	BL002	ATL BT26	90.000 90.000	68.000 68.000 *
		ITEM TOTALS			314.000	292.000
100161	LIN PKT 1	1/15/**	BL310	ATL A1AA2G	100.000 100.000	100.000 100.000 *
		2/28/**	BL300	ATL BE12	25.000 25.000	25.000 25.000 *
		ITEM TOTALS			125.000	125.000
*** END OF PRINT ***						

To print this report, use option 5 on the Transaction Processing menu (AMIM22).

If you selected a sequence for the report, ASCENDING or DESCENDING appears in the header. A listing of the ranges of information is printed on the report, based on the limits you specified. If you did not specify limits, **BEGINNING** and **END** appear. Ranges include:

- **ITEM FROM** and **TO**
- **FIFO DATE FROM** and **TO** (if active).
- **BATCH/LOT FROM** and **TO**

Fields

ITEM. The item number.

DESCRIPTION. Description of the item.

FIFO DATE. If FIFO control is not active, the original transaction date appears.

BATCH/LOT. Batch or lot number.

WH/LOCATION. Warehouse and location code.

ON HAND QTY. Quantity on hand.

QTY NOT ALLOCATED. An asterisk following this field indicates the quantities shown are FIFO date totals for the item.

ITEM TOTALS. The quantity totals for each item.

Discrete Allocations (AMING)

NORTHCREEK IND.			DISCRETE ALLOCATIONS			DATE 8/10/**	TIME 16.00.16	PAGE 1	AMING
ORDER	ITEM	DESCRIPTION	REQ QTY	ALLOC QTY	DE-ALLOC QTY	WH/LOCATION	BATCH/LOT	FIFO DATE	
M413000	200223	BRACKET	10.000	5.000		ATL A1AA2D	BL-88	1/15/**	
M413000	200223	BRACKET	10.000	5.000		ATL A1AA2E	BL30	8/29/**	

NORTHCREEK IND.			DISCRETE ALLOCATIONS			DATE 8/10/**	TIME 16.00.16	PAGE 1	AMING
SESSION STATUS									
RECORDS ADDED			2						
RECORDS CHANGED			0						
RECORDS DELETED			0						
*** END OF PRINT ***									

To print this report, use option 6 on the Transaction Processing menu (AMIM22). Depending on the action taken, the words *ADDED*, *CHANGED*, or *DELETED* appear beside each line item on this report.

Fields

ORDER. Manufacturing order to which items are allocated or deallocated.

ITEM. The item allocated or deallocated for the corresponding order.

DESCRIPTION. The description of the item.

REQ QTY. The quantity of the item required to fill the order. For manufacturing orders, if order activity has started, this quantity is the unissued quantity for the component.

ALLOC QTY. The quantity of the item allocated to the order during this session.

DE-ALLOC QTY. The quantity of the item deallocated from the order during this session.

PREVIOUS QTY. If you changed the quantity deallocated from an order, the previous allocated quantity.

WH/LOCATION. The warehouse and location from which the item was allocated or deallocated.

BATCH/LOT. The batch or lot from which the item was allocated or deallocated.

FIFO DATE. If FIFO control is not active, this field shows the original transaction date.

SESSION STATUS.

RECORDS ADDED. The number of records added to the file during the session.

RECORDS CHANGED. The number of records changed in the file during the session.

RECORDS DELETED. The number of records deleted from the file during the session.

Edit Assigned Accounts Register (AMIG2)

MDQ FIVE INC.	NO. 01	EDIT ASSIGNED ACCOUNTS REGISTER	DATE 8/06/**	TIME 17.20.45	PAGE 1	AMIG2
			OPER 2			
ACTION	WAREHOUSE	----- ITEM ----- NUMBER TYPE CLASS ACTG CLASS	----- ORDER ----- NUMBER ACTG CLASS			REASON CODE
		TRANSACTION TYPE PH Physical inventory update				
CHANGE	1	BATTERY 4 AAAA				
BEFORE CHARGE		COMPANY / ACCOUNT / AMOUNT 01		999	500.00	
BEFORE OFFSET		COMPANY / ACCOUNT / AMOUNT 01		999		
BEFORE VARIANCE		COMPANY / ACCOUNT / AMOUNT 01		999	500.00-	
AFTER CHARGE		COMPANY / ACCOUNT / AMOUNT 01		950	500.00	
AFTER OFFSET		COMPANY / ACCOUNT / AMOUNT 01		999		
AFTER VARIANCE		COMPANY / ACCOUNT / AMOUNT 01		999	500.00-	
		TRANSACTION TYPE RC Miscellaneous receipt				
CHANGE	1	WIDGETT 4				
BEFORE CHARGE		COMPANY / ACCOUNT / AMOUNT 01		999	2000.00	
BEFORE OFFSET		COMPANY / ACCOUNT / AMOUNT 01		999	2000.00-	
BEFORE VARIANCE		COMPANY / ACCOUNT / AMOUNT 01		999		
AFTER CHARGE		COMPANY / ACCOUNT / AMOUNT 01		960	2000.00	
AFTER OFFSET		COMPANY / ACCOUNT / AMOUNT 01		999	2000.00-	
AFTER VARIANCE		COMPANY / ACCOUNT / AMOUNT 01		999		
		TRANSACTION TYPE SA Sales shipment change				
CHANGE	1	SCREW 4			M000010	
BEFORE CHARGE		COMPANY / ACCOUNT / AMOUNT 01		999	500.00-	
BEFORE OFFSET		COMPANY / ACCOUNT / AMOUNT 01		999	1000.00	
BEFORE VARIANCE		COMPANY / ACCOUNT / AMOUNT 01		999	500.00-	
AFTER CHARGE		COMPANY / ACCOUNT / AMOUNT 01		960	500.00-	
AFTER OFFSET		COMPANY / ACCOUNT / AMOUNT 01		999	1000.00	
AFTER VARIANCE		COMPANY / ACCOUNT / AMOUNT 01		999	500.00-	
		TRANSACTION TYPE SA Sales shipment change				
CHANGE	1	CORD4F 4			M000010	
BEFORE CHARGE		COMPANY / ACCOUNT / AMOUNT 01		999	500.00	
BEFORE OFFSET		COMPANY / ACCOUNT / AMOUNT 01		999	1000.00-	
BEFORE VARIANCE		COMPANY / ACCOUNT / AMOUNT 01		999	500.00	
AFTER CHARGE		COMPANY / ACCOUNT / AMOUNT 01		999	500.00	
AFTER OFFSET		COMPANY / ACCOUNT / AMOUNT 01		999	1000.00-	
AFTER VARIANCE		COMPANY / ACCOUNT / AMOUNT 01		999	500.00	
RECORDS CHANGED . . : 4						

This report prints when you select option 2 on the Transaction Account Assignment menu. It is generated when you change at least one transaction record in the Transaction file. Only those records for which you changed the account assignments or split to more than one General Ledger account print on the register.

If IFM is installed and interfacing, the company and account fields are replaced by unit and nature fields. Refer to the *IFM User's Guide* for more information.

Fields

ACTION. Only a change action can be performed during Edit Assigned Accounts. The record as it existed before it was edited and the record as it exists in the file after it was edited is printed.

WAREHOUSE. Code defined by your company that identifies the warehouse in which this item is currently stocked.

ITEM NUMBER. Number of the item, which can be any raw material, manufactured or purchased part, subassembly, assembly, or end item.

ITEM TYPE. Code that best describes the type of item:

0	Phantom
1	Assembly or subassembly
2	Fabricated item
3	Raw material
4	Purchased item
9	User option
F	Feature
K	Kit

ITEM CLASS. Code assigned by your company that identifies the class to which this item belongs. For example, STEL might mean items made of steel.

ITEM ACTG CLASS. Class, defined by your company, to group or classify items for accounting purposes.

ORDER NUMBER. Control number assigned to the order.

Purchase order

A request sent to a vendor asking for goods or services. Has a prefix of 'P'.

Manufacturing order

An order issued to the factory to produce a component or assembly. Has a prefix of 'M'.

Schedule order

An authorization to produce an item on a specific production line over a specific time period. Has a prefix of 'S'.

ORDER ACTG CLASS. Class, defined by your company, to group or classify orders for accounting purposes.

REASON CODE. Code assigned by your company that indicates the reason for a transaction.

TRANSACTION TYPE. Code that indicates the kind of transaction.

For IM, the transaction types are:

CA	Cost adjustment
CL	Component transfer to line
CN	Component transfer to stores
CR	Average cost replace
CS	Standard cost replace

CU	Standard unit cost default replacement
IA	Inventory adjustment
IP	Planned manufacture issue
IS	Miscellaneous issue
IU	Unplanned component issue
IW	Interwarehouse issue
IX	Uncontrolled floor stock
MQ	Manufacturing item QC complete
PH	Physical inventory update
PQ	Purchase item QC complete
RC	Miscellaneous receipt
RM	Production receipt
RP	P.O. receipt to stock
RQ	Shelf life expired - reject
RS	Component return to stock
RW	Interwarehouse receipt
SA	Sales shipment
SC	Manufacturing component scrap
SM	Manufacturing order scrap
SP	Purchase order scrap
SQ	QC status change
SS	Scrap from stock
VR	Purchase return to vendor

It also gives the description.

CHARGE. Company and account number combination to receive the charge associated with a specific transaction type.

COMPANY. Unique identifier for a particular company.

This company is assigned to receive the charge amount of the transaction record based upon the rules and priorities you defined in your Account Assignment and Account Sequences files.

ACCOUNT. Account number to be assigned to the charge transaction.

This account number is assigned as the charge account type for the transaction based upon the rules and priorities you defined. If IFM is installed and interfacing, the company and account fields are replaced by unit and nature fields. Refer to the *IFM User's Guide* for more information.

AMOUNT. The transaction cost reported, depending on the type of transaction. The charge amount always has the actual sign of the transaction as it was reported and shows how the cost is posted to General Ledger.

OFFSET. Company and account number combination to receive the offset associated with a specific transaction type.

COMPANY. Unique identifier for a particular company.

This company is assigned to receive the offset amount of the transaction record based upon the rules and priorities you defined in your Account Assignment and Account Sequences files.

ACCOUNT. Account number to be assigned to the offset transaction.

This account number is assigned as the offset account type for the transaction based upon the rules and priorities you defined. If IFM is installed and interfacing, the company and account fields are replaced by unit and nature fields. Refer to the *IFM User's Guide* for more information.

AMOUNT. The amount generated by the program to balance the charge amount reported. The offset amount always prints on the register as the opposite sign of the charge amount.

VARIANCE. [Company and account number combination to receive the variance associated with a specific transaction type.](#)

COMPANY. [Unique identifier for a particular company.](#)

This company is assigned to receive the variance amount of the transaction record based upon the rules and priorities you defined in your Accounts Assignment and Account Sequences files.

ACCOUNT. [Account number to be assigned to the variance transaction.](#)

This account number is assigned as the variance account type for the transaction based upon the rules and priorities you defined. If IFM is installed and interfacing, the company and account fields are replaced by unit and nature fields. Refer to the *IFM User's Guide* for more information.

AMOUNT. Amount generated by the program to balance the variance amount reported. The variance amount always prints on the register as the difference between the charge amount and the offset amount.

RECORDS CHANGED. [Number of records changed during this session.](#)

Empty Locations in Warehouse (AMIWD)

GATEWAY MFG CO		EMPTY LOCATIONS IN WAREHOUSE 2						DATE 8/10/**		TIME 16.00.16		PAGE 1		AMIWD	
		LOCATION FROM BEGINNING TO END													
		LINE LOCATIONS INCLUDED													
LOCATION	MULTIPLE ITEMS/LOTS	LOCATION	MULTIPLE ITEMS/LOTS	LOCATION	MULTIPLE ITEMS/LOTS	LOCATION	MULTIPLE ITEMS/LOTS	LOCATION	MULTIPLE ITEMS/LOTS	LOCATION	MULTIPLE ITEMS/LOTS	LOCATION	MULTIPLE ITEMS/LOTS	LOCATION	MULTIPLE ITEMS/LOTS
K301DA	Y Y	K301DB	Y Y	K301D3	Y Y	K301D4	Y Y	K301D6	Y Y	K301d7	Y Y	K301d7	Y Y		
K301D8	Y Y	K301D9	Y Y	Q1AA3C	N N	Q1AA3D	N N	Q1AA3E	N N	Q1AA3G	N N	Q1AA3G	N N		
Q1AA3H	N N	Q1AA3I	N N	Q1AA31	N N	R2AACA	N Y	R2AAC1	N Y	R2AAC8	N Y	R2AAC8	N Y		
R2AAC3	N Y	R2AAC4	N Y	R2AAC5	N Y	R2AAC6	N Y	R2AAC7	N Y	R2AAC8	N Y	R2AAC8	N Y		
R2AAC9	N Y	T4025B	Y N	T4025C	Y N	T4025D	Y N	T4025E	Y N	T4025F	Y N	T4025F	Y N		
T4025G	Y N	T4025H	Y N	T4025I	Y N	T40251	Y N								
TOTAL NUMBER OF EMPTY LOCATIONS 34															
*** END OF PRINT ***															

To print this report, use option 4 on the File Listings menu (AMIM23).

A line in the header indicates whether line locations are included, not included, or whether only locations are printed. This line only appears if Repetitive is installed and interfacing.

Fields

LOCATION. Each location within the range typed in on the Select display (AMIW11) appears.

MULTIPLE ITEMS. Either of the following appears:

- Y** Multiple items are allowed for this location.
- N** Multiple items are not allowed for this location.

MULTIPLE LOTS. Either of the following appears:

- Y** Multiple lots are allowed for this location.
- N** Multiple lots are not allowed for this location.

TOTAL NUMBER OF EMPTY LOCATIONS. The total number of empty locations in this warehouse appears. Deleted locations are not included in this total.

General Ledger Master Entry/Change listing (AMV04)

GENERAL LEDGER MASTER ENTRY/CHANGE LISTING										DATE	7/14/**	TIME	16.06.32	PAGE	1	AMV04	
													OPER			UPDATE	004
NORTHCREEK IND. NO.	1	ACCOUNT NUMBER	5090	TYPE CODE	1	CURRENT											CHANGE
****	BEFORE	****	ACCOUNTS RECEIVABLE - EMP	ACCOUNT TYPE	AS	DATE LAST MAINTAINED	6/19/**										
CURRENCY ID		CONSOLIDATION COMPANY	60	CONSOLIDATION ACCOUNT	10612000000000												
		DEBITS		CREDITS		DEBITS		CREDITS									
BALANCE FORWARD		.00		.00	PERIOD 7	5,000.00		25,000.01									
PERIOD 1		126.00		26,126.84	PERIOD 8	599.00		599.00									
PERIOD 2		277.88		277.88	PERIOD 9	45,000.44		.00									
PERIOD 3		65,189.02		189.00	PERIOD 10	.00		.00									
PERIOD 4		277.00		18,277.88	PERIOD 11	.00		.00									
PERIOD 5		456.23		456.23	PERIOD 12	.00		.00									
PERIOD 6		21,898.45		89800	PERIOD 13	.00		.00									
NORTHCREEK IND. NO.	1	ACCOUNT NUMBER	5090	TYPE CODE	1	CURRENT											CHANGE
****	AFTER	****	ACCOUNTS RECEIVABLE - EMP	ACCOUNT TYPE	AS	DATE LAST MAINTAINED	6/19/**										
CURRENCY ID	GBA	CONSOLIDATION COMPANY	60	CONSOLIDATION ACCOUNT	10612000000000												
		DEBITS		CREDITS		DEBITS		CREDITS									
BALANCE FORWARD		.00		.00	PERIOD 7	5,000.00		25,000.01									
PERIOD 1		126.00		26,126.84	PERIOD 8	599.00		599.00									
PERIOD 2		277.88		277.88	PERIOD 9	45,000.44		.00									
PERIOD 3		65,189.02		189.00	PERIOD 10	.00		.00									
PERIOD 4		277.00		18,277.88	PERIOD 11	.00		.00									
PERIOD 5		456.23		456.23	PERIOD 12	.00		.00									
PERIOD 6		21,898.45		898.00	PERIOD 13	.00		.00									
				****	CHANGED	****											

This report prints only if IFM is not installed and General Ledger is selected. This report prints each time an operator performs General Ledger master file maintenance, if you selected general ledger distribution and file maintenance report options during application tailoring. This report shows information about changes you made to the General Ledger master file. You can use this report to keep a record of changes you made to the General Ledger master file. The system draws information for this report from the General Ledger master file.

Note: The system adds two records (Current and History) to the General Ledger master file each time you add an entry. It deletes two records from the General Ledger master file each time you delete an entry.

Fields

Company name and number. The name and number of the company for this listing.

ACCOUNT NUMBER. Number used to classify business activity for financial purposes.

Each account record updated by General Ledger Master file maintenance appears.

TYPE CODE. Code used to show the kind of account balances in the record:

- 1 Current year
- 2 Budget year
- 3 Last year.

DELETE/ADD/CHANGE. When you add, change or delete a record, an appropriate message appears on the listing. When you delete an account, its associated budget

and last-year records are also deleted; when you change an account description, its associated budget and last-year records are also changed; however, only the current record is printed.

BEFORE/AFTER. The before and after images of the record, including the date of last update are shown.

Note: The number of records added, changed, or deleted during the File Maintenance session appears at the end of the report.

ACCOUNT TYPE. Description of an account using the following values:

AS	Asset
LI	Liability
IC	Income
EX	Expense.

DATE LAST MAINTAINED. Date when the record was last processed.

CURRENCY ID. Code identifying the type of currency used for translation purposes; for example, FFR for French francs.

CONSOLIDATION COMPANY. Company number by which accounts are grouped for consolidation purposes.

CONSOLIDATION ACCOUNT. Account number by which accounts are grouped for consolidation purposes.

DEBITS/CREDITS. Summary amounts for each account and related to the financial statement affected.

BALANCE FORWARD. Balance amount from prior period.

Goods Received Notes (AMIGF2)

GATEWAY MFG CO		GOODS RECEIVED NOTES FROM 1/01/** TO 2/01/**					DATE 2/10/**	TIME 16.00.16	PAGE 1	AMIGF2
GRN	GRN DATE	GRN AMOUNT	ITEM	QUANTITY	U/M	VENDOR	ORDER	QC INSPECTED	INVOICE	INV DATE
GRN#-123-4567-89011-345-67	5/01/**	250.0000	12114	50.000	EA	74ND1	P1095	NO	37V002	4/15/**
GRN#-123-4567-89012-345-67	5/01/**	175.0000	16314	75.000	EA	74ND1	P1095	NO	37V003	5/01/**
GRN#-123-7654-89013-543-76	5/01/**	35.0000	21246	235.000	LB	74ND1	P1095	NO	37V004A	4/15/**
GRN#-123-7654-89014-543-76	5/01/**	1.0000	21403	9.000	LB	74ND1	P1095	NO	37V005B	3/25/**
GRN#-123-7654-89015-543-76	5/01/**	2.0000	21620	2.000	GM	74ND1	P1095	NO	37V006B	5/01/**
GRN#-123-7654-89016-543-76	5/01/**	2.0000	21621	7.000	GM	74ND1	P1095	NO	37V007	4/30/**
GRN#-123-7654-89017-543-76	5/01/**	100.0000	12117	50.000	EA	74ND1	P1095	NO		
TOTAL		530.0000								

*** END OF PRINT ***

To print this report, use option 9 on the File Listings menu (AMIM23). Then, use option 2, Between Two Dates, on the Select panel AMIGD1.

Fields

GRN. Goods received note number.

GRN DATE. The date the GRN was entered.

GRN AMOUNT. The item value associated with the GRN.

ITEM. The item number.

QUANTITY. The item quantity associated with the GRN.

U/M. The stocking unit of measure.

VENDOR. The vendor number associated with the GRN.

ORDER. The order number associated with the GRN.

QC INSPECTED. Either of the following appears:

YES The item has been inspected or inspection not required.

NO The item has not yet been inspected.

INVOICE. The invoice number associated with the GRN. If no invoice is posted, this field is blank.

INV DATE. The date the GRN was matched with an invoice. If no invoice is posted, this field is blank.

TOTAL. The total value of the listed GRNs.

Goods Received Notes Since Last Report (AMIGF1)

GATEWAY MFG CO		GOODS RECEIVED NOTES SINCE LAST REPORT			DATE 6/19/**	TIME 16.00.16	PAGE 1	AMIGF1		
GRN	GRN DATE	GRN AMOUNT	ITEM	QUANTITY	U/M	VENDOR	ORDER	QC INSPECTED	INVOICE	INV DATE
GRN#-123-4567-89018-345-67	6/18/**	35.0000	200214	20.000	EA	100150	P000011	NO	33976	6/07/**
GRN#-123-4567-89019-345-67	6/03/**	120.0000	200223	5.000	CS		P000003	NO	35201	5/24/**
GRN#-123-4567-89018-345-67	6/05/**	.0000	200207	5.000	EA	233	PURCH10	NO		
GRN#-123-4567-89018-345-67	5/06/**	.0000	200205	4.000	EA		P900001	NO		
TOTAL		155.0000								

*** END OF PRINT ***

To print this report, use option 9 on the File Listings menu (AMIM23). Then, use option 1, Since Last Report, on the Select panel AMIGD1.

Fields

GRN. Goods received note number.

GRN DATE. The date the GRN was entered.

GRN AMOUNT. The item value associated with the GRN.

ITEM. The item number.

QUANTITY. The item quantity associated with the GRN.

U/M. The stocking unit of measure.

VENDOR. The vendor number associated with the GRN.

ORDER. The order number associated with the GRN.

QC INSPECTED. Either of the following appears:

YES The item has been inspected or inspection not required.

NO The item has not yet been inspected.

INVOICE. The invoice number associated with the GRN. If no invoice is posted, this field is blank.

INV DATE. The date the GRN was matched with an invoice. If no invoice is posted, this field is blank.

TOTAL. The total value of the listed GRNs.

Intercompany Accounts List (AMVGY)

MDQ FIVE INC.	NO. 01	INTERCOMPANY ACCOUNTS LIST	DATE 8/06/**	TIME 17.19.51	PAGE 1	AMVGY
			OPER 22			
		FROM: COMPANY NUMBER 01				
		TO: COMPANY NUMBER 89				
---- PRIMARY COMPANY ----		--- SECONDARY COMPANY ---				
NUMBER	ACCOUNT	NUMBER	ACCOUNT			
1	950	2	910			
1	950	3	920			
1	950	4	930			
1	950	5	950			
1	950	6	960			
1	950	7	970			
1	950	8	980			
TOTAL RECORDS PRINTED: 7						

To print this report, use option 7 on the Account Assignment Rule Management menu. This report prints when you select records on the List Intercompany Accounts display (AMVG201). Selected primary companies with their secondary companies and associated account numbers appear on this file list. This report does not print if IFM is installed and interfacing.

Fields

COMPANY NUMBER. Unique identifier for a particular company.

PRIMARY COMPANY NUMBER. Number of the company designated as the central company. The charge of an intercompany transaction is posted to the primary company and account.

This company receives the charge balancing entries when you post multiple company transactions to General Ledger.

PRIMARY COMPANY ACCOUNT. Account number for the company designated as the central company.

This account receives the charge balancing entries when you post multiple company transactions to General Ledger.

SECONDARY COMPANY NUMBER. All companies other than the primary company, when using intercompany accounting.

This company receives the offset balancing entries when you post multiple company transactions to General Ledger.

SECONDARY COMPANY ACCOUNT. Account number for each company other than the primary company.

Contents	Index	Exit
--------------------------	-----------------------	----------------------

This account receives the offset balancing entries when you post multiple company transactions to General Ledger.

TOTAL RECORDS PRINTED. [Number of transaction records selected for printing.](#)

Inventory Analysis Report—Financial (AMI2K1)

JACOBSON IND.		INVENTORY ANALYSIS REPORT - FINANCIAL						DATE 11/05/**	TIME 11.36.13	PAGE 1	AMI2K1
		SEQUENCE BY ITEM NUMBER						OPER 18			
RANK	ITEM	WH VENDOR	ITEM NUMBERS	FROM A	ON-HAND	TO C	MTD SALES	MTD COST	MTD SALES	MTD SALES	
		NO. NO.	U/M	QTY	ON-HAND	SOLD	AMOUNT	AMOUNT	PROFIT PCT	PROFIT AMT	
	DESCRIPTION		DATE OF	STANDARD	TOTAL	YTD QTY	YTD SALES	YTD COST	YTD SALES	YTD SALES	
			LAST SALE	UNIT COST	VAL PCT	SOLD	AMOUNT	AMOUNT	PROFIT PCT	PROFIT AMT	
			DATE OF								
			LAST USE								
1	AIRKIT	A	EA 9/30/**		24192.0497		.00		.000	.00	
	AIRCONDITIONER KIT (OPTION)		11/05/**	49.000	0	.000	.00	.00	48.560	.00	
				493.7153 **		150.000	75000.00	38580.00		36420.00	
2	AIRKIT	PL1	EA 0/00/00		220780.0000		.00		.000	.00	
	AIRCONDITIONER KIT (OPTION)		11/03/**	1162.000	0	.000	.00	.00	.000	.00	
				190.0000		.000	.00	.00	.000	.00	
3	AIRKIT	1	EA 4/20/**		478903.8410		.00		.000	.00	
	AIRCONDITIONER KIT (OPTION)		11/05/**	970.000	0	.000	.00	.00	4.571-	.00	
				493.7153 **		30.000	350.00	7716.00		7366.00-	
4	ARM	1	EA 0/00/00		.0000		.00		.000	.00	
	TOOL FOR LIFTING THINGS UP		0/00/00	50.000-	0	.000	.00	.00	.000	.00	
				.0000 **		.000	.00	.00	.000	.00	
NOTE- ** UNIT COST DEFAULT TAKEN											
TOTAL SUMMARY RECORDS		47	TOTAL SALES AMOUNT	YTD-		738,234.54					
			TOTAL USE COST	YTD-		1,622,223.40					
			COST OF ON-HAND			1,532,845,498.32-					
			COST OF ALL ON-HAND ITEMS			586,587,228,461.00					
			TOTAL COST OF ALL GOODS SOLD	YTD-		566,059.40					
COST OF PLACING AN ORDER			10.00								
CARRYING FACTOR			.20								

To print this report, use option 7 on the Status/Analysis Reports menu (AMIM21).

If you selected a sequence for the report, it appears in the header:

- Item number
- Vendor number
- Date of last use
- Profit amount
- Profit percent
- On hand cost.

A listing of the ranges of information is printed on the report, based on the limits you specified on display AMI211. If you did not specify limits, **BEGINNING** and **END** appear. Ranges include:

- **ITEM FROM** and **TO**
- **VENDOR NUMBER FROM** and **TO**
- **DATE-OF-LAST USE FROM** and **TO**
- **PROFIT AMOUNT FROM** and **TO**
- **PROFIT PERCENT FROM** and **TO**
- **ON-HAND COST FROM** and **TO**

Fields

RANK. The sequence in which the activity has been sorted. This is most meaningful when running the Financial report sequenced by profit amount, profit percent or on hand cost.

ITEM NUMBER. A number which serves to uniquely identify an item.

WH NO. The warehouse in which the item is located.

VENDOR NO. The primary vendor for this item.

U/M. The unit of measure. These are the units used to express the item quantity.

DATE OF LAST SALE. Automatically updated by every Sales Shipment transaction (SA).

QTY ON-HAND. Quantity of the item in stock.

ON-HAND COST. The value of on hand inventory (quantity on hand multiplied by selected unit cost).

MTD QTY SOLD. The quantity sold for month-to-date or period-to-date.

MTD SALES AMOUNT. The sales amount for month-to-date or period-to-date.

MTD COST AMOUNT. The cost amount for month-to-date or period-to-date sales.

MTD SALES PROFIT PCT. The sales profit percent for month-to-date or period-to-date—sales divided by profit amount.

MTD SALES PROFIT AMT. The sales profit amount for month-to-date or period-to-date. This is calculated as the sales amount minus cost of sales amount.

ITEM DESCRIPTION. Description of the item.

DATE OF LAST USE. Use may be an adjustment, issue, or sale.

STANDARD UNIT COST. Unit cost can be standard, average, or last cost. It is based on accounting method selected by the user. Two asterisks (**) indicate that the default cost from the Item Master file was used, as there was no user-selected cost in the Item Balance file.

TOTAL VAL PCT. This field answers the question, "What percent of the way through the report am I, in terms of cumulative on hand cost?"

YTD QTY SOLD. Quantity of the item sold year-to-date.

YTD SALES AMOUNT. The year-to-date amount of sales for the item.

YTD COST AMOUNT. The total cost of items sold.

YTD SALES PROFIT PCT. This is calculated as the profit amount divided by sales.

YTD SALES PROFIT AMT. This is calculated as the sales amount minus cost of sales amount.

TOTAL SUMMARY RECORDS. The total number of items printed.

TOTAL SALES AMOUNT YTD. The year-to-date sales amount for all the items reported.

TOTAL USE COST YTD. The year-to-date cost of items reported.

COST OF ON-HAND. The total value of the on-hand inventory.

COST OF ALL ON-HAND ITEMS. The cost of all items in the Item Balance file.

TOTAL COST OF GOODS SOLD YTD. The year-to-date cost of goods sold for the items reported.

COST OF PLACING AN ORDER. This was determined during application tailoring.

CARRYING FACTOR. This was determined during application tailoring.

Inventory Analysis Report—Stock Movement (AMI2K2)

GATEWAY MFG CO		INVENTORY ANALYSIS REPORT - STOCK MOVEMENT					DATE 12/11/**		TIME 8.39.49	PAGE 1	AMI2K2
		SEQUENCE BY ITEM NUMBER					OPER 19				
RANK	ITEM NUMBER	WH NO.	VENDOR NO.	ITEM NUMBERS DATE OF U/M LAST SALE	FROM 26006 ESTIMATED ANNUAL USE	AVERAGE USE	TO 27006 E.O.Q.	ORDER POINT	YTD ISSUES	YTD USED	
	ITEM DESCRIPTION			DATE OF LAST USE	AVERAGE TURNOVER	AVERAGE LEVEL	MTD ISSUES	MTD RECEIPTS	MTD ADJUSTS	MTD USED	
1	26006-20 TANK 8 BY 12 INCHES	ATL	EA	0/00/00 0/00/00	.00 .0	0 0	0 .000	0 .000	.000 .000	.000 .000	
2	26006-20 TANK 8 BY 12 INCHES	DAL	EA	0/00/00 0/00/00	.00 .0	0 0	0 .000	0 .000	.000 .000	.000 .000	
3	26006-20 TANK 8 BY 12 INCHES	ATL	EA	0/00/00 0/00/00	2268.00 24.5	174 92	456 1,500.000	402 1,589.000	1,800.000 .000	18,900.000 1,575.000	
4	26006-21 TANK 10 BY 18 INCHES	ATL	EA	0/00/00 0/00/00	1322.64 15.4	102 86	273 875.000	210 905.000	10,500.000 .000	11,022.000 919.000	
5	26006-22 TANK 12 BY 24 INCHES	ATL	EA	0/00/00 0/00/00	945.36 15.7	73 60	176 625.000	165 716.000	7,500.000 .000	7,878.000 656.000	

NOTE- * MANUALLY ENTERED
TOTAL SUMMARY RECORDS 5

PTD AND YTD USED INCLUDES SALES

To print this report, use option 8 on the Status/Analysis Reports menu (AMIM21).

If you selected a sequence for the report, it appears in the header:

- Item number
- Vendor number
- Date of last use.

A listing of the ranges of information is printed on the report, based on the limits you specified. Ranges include:

- **ITEM FROM** and **TO**
- **VENDOR FROM** and **TO**
- **DATE OF LAST USE FROM** and **TO**.

Fields

RANK. The sequence in which the activity has been sorted. This is most meaningful when running the Stock Movement report sequenced by date of last use.

ITEM NUMBER. A number which serves to uniquely identify an item.

WH NO. The warehouse in which the item is located.

VENDOR NO. The primary vendor for this item.

U/M. The unit of measure. These are the units used to express the item quantity.

DATE OF LAST SALE. Automatically updated by every Sales Shipment transaction (SA).

ESTIMATED ANNUAL USE. The estimated quantity used for the year.

AVERAGE USE. The estimated quantity used for one month or period.

E.O.Q. The economic order quantity. An asterisk (*) indicates a manually entered value. See "Inventory Management functions and calculations".

ORDER POINT. An asterisk (*) indicates a manually entered value. See "Inventory Management functions and calculations".

YTD ISSUES. The quantity issued for internal department use.

YTD USED. This is calculated as issues plus sales, plus or minus adjustments.

ITEM DESCRIPTION. Description of the item.

DATE OF LAST USE. Use may be an adjustment, issue, or sale.

AVERAGE TURNOVER. This is calculated as the annual usage divided by the average level.

AVERAGE LEVEL. The average quantity on hand at end of accounting periods.

MTD ISSUES. The quantity is shown as either month-to-date or period-to-date, depending on application tailoring.

MTD RECEIPTS. The quantity is shown as either month-to-date or period-to-date, depending on application tailoring.

MTD ADJUSTS. The quantity is shown as either month-to-date or period-to-date, depending on application tailoring.

MTD USED. The quantity is shown as either month-to-date or period-to-date, depending on application tailoring. This quantity is calculated as issues plus sales, plus or minus adjustments.

TOTAL SUMMARY RECORDS. The number of items printed.

Inventory Reorder Report (AMI2M)

NORTHCREEK IND.	INVENTORY REORDER REPORT SEQUENCE BY WAREHOUSE PLANNERS FROM START TO 99999 VENDORS FROM START TO 999999 CLASSES FROM START TO 9999	DATE 7/19/** TIME 11.12.09 PAGE 1 AMI2M OPER 53
DESCRIPTION		
VENDOR ITEM ITEM NUMBER CLASS NUMBER	WH U/ NO /M QTY ON-HAND QTY ON-ORDER	REORDER QTY/ QTY ALLOC ORDER QTY/ QTY AVAIL REQ-PO/ ORDER PT REL
		ORD POLICY LEAD L/T CODE TIME ADJ E.O.Q. SAFETY STOCK AVERAGE
BOLT 1/4 BY 1 001011 0080 03416	EA 160.000 .000	3010.000 3010.000 R000191 # .000 160.000 2000.000 *
	ATL	0 B 11.0 P 7 3005.000 * .000 0
BOLT 1/2 BY 2 001011 0080 03417	EA 50.000 710.000	2250.000 2250.000 P001650 # .000 760.000 2000.000 *
	ATL	0 C 11.0 P 7 2245.000 * .000 0
TOTAL NUMBER OF RECORDS SELECTED		2
NOTE- * -MANUALLY ENTERED # -PURCHASE ORDER, RELEASE OR REQUISITION ADDED M -LEAD TIME MANUFACTURING P -LEAD TIME PURCHASING X -OTHER LEAD TIME		

To print this report, use option 1 on the Inventory Reports menu (AMIM22). The number of the warehouse appears in the header, if one was selected.

If you selected a sequence for the report, it appears in the header:

- Warehouse number
- Vendor number
- Item number.

A listing of the ranges of information is printed on the report, based on the limits you specified. Ranges include:

- **PLANNER NUMBER FROM** and **TO**
- **VENDOR NUMBER FROM** and **TO**
- **ITEM CLASS FROM** and **TO**.

Fields

DESCRIPTION. The description of the item.

VENDOR NUMBER. The primary vendor for this item.

ITEM CLASS. A user-defined code identifying the class for this item.

ITEM NUMBER. A number which serves to uniquely identify an item.

WH NO. The warehouse in which the item is located.

U/M. The unit of measure. These are the units used to express the item quantity.

QTY ON-HAND. Quantity of the item in stock.

QTY ON-ORDER. The sum of the production and purchase quantity on order.

REORDER QTY. The quantity calculated as how much you need to reorder based on the item's Order Policy Code (OPC). If OPC=B, the Fixed Order Quantity is used. If Fixed Order Quantity is blank, an Economic Order Quantity is calculated and used. If OPC=C, the Fixed Order Quantity is considered the order up to level so the reorder quantity is the difference between the quantity available and the order up to level. Finally, if a multiple lot sizing parameter was defined, the reorder quantity is adjusted up to the nearest multiple.

QTY ALLOC. The quantity allocated to manufacturing and customer pick list requirements.

ORDER QTY. The quantity actually used to create a purchase order, a blanket release on a PO, or on a requisition. The Order Quantity is the reorder quantity adjusted up to a minimum quantity, if one is defined for the item.

QTY AVAIL. This is calculated as quantity on hand plus quantity on order minus manufacturing allocated quantity minus customer pick list requirements.

REQ-PO. The number of the requisition or the purchase order that was created or used to order more of this item. The symbol # appears after the requisition or PO number to indicate that the req or PO was added during the current session.

ORDER POINT. See "Inventory Management functions and calculations" on page 2-3. An asterisk (*) indicates a manually entered value.

REL. The blanket release number that was created on the associated purchase order to order more of this item.

ORDER POLICY CODE. A code identifying the order policy used when ordering this item.

A	Discrete order quantity
B	Order point, order quantity
C	Order point, order up to level
D	Fixed quantity
G	Time periods of supply
H	Discrete above a minimum quantity
Z	User option

E.O.Q. The economic order quantity. See "Inventory Management functions and calculations" on page 2-3. An asterisk (*) indicates a manually entered value.

LEAD TIME. The standard number of days to produce or acquire the item plus a suffix pertaining to the type of lead time and adjustments:

M	Manufacturing
P	Purchase
X	Other

L/T ADJ. The number of days required prior to order release for administrative tasks.

SAFETY STOCK. A numeric value that gives the quantity you want to use as the minimum quantity on hand to deal with fluctuations in demand and deliveries. Quantity is in terms of the stocking unit of measure.

AVERAGE MTH USE. The average monthly or period usage.

TOTAL NUMBER OF RECORDS SELECTED. The number of items printed.

Inventory Stock Status Review (AMI2B)

NORTHCREEK IND.		INVENTORY STOCK STATUS REVIEW					DATE 8/31/** TIME 9.38.09		PAGE	1	AMI2B										
		SEQUENCED BY ITEM																			
		ITEMS	FROM	01000	TO	01622															
ITM	ITEM NUMBER	IT	STK	PRI	QTY	ON-HAND	QTY	ON-ORDER	MFG	ALLOC	QTY	CUSTOMER	P	L	REQ	QTY	AVAIL	PEND	ALLOC	BASE	PRICE
CLS	WH	VENDOR	TY	U/M	U/M	STANDARD	UNIT	COST				ON-HAND	COST								
LMX	01000		2	OZ	OZ	73,000.000	384,000.000		1,045,154.320			.000				588,154.000-		.000			
	ATL						.0090	*				657.0000						.000			
FRGL	01008		1	DZ	EA	744.000	32,920.000		.000			.000				33,664.000		.000			
	ATL						.7604					565.7376						1.500			
GRH	01016		1	EA	EA	744.000	45,600.000		.000			.000				46,344.000		.000			
	ATL 100100						.8418	*				626.2992						2.900			
RM	01100		2	OZ	OZ	34,600.000	107,400.000		192,000.000			.000				50,000.000-		.000			
	ATL						.0053	*				183.3800						.000			
FRGL	01108		1	EA	EA	744.000	24,000.000		.000			.000				24,744.000		.000			
	ATL						.7322					544.7568						2.000			
ACD	01410		4	LB	LB	4,882.000	10,457.000		4,492.702			.000				10,846.298		.000			
	ATL						.2200	*				1,074.0400						.000			
CM	01412		4	EA	LB	3,000.000	1,000,300.000		371.283			.000				1,002,928.717		.000			
	DAL						.0500	*				150.0000						.000			
CM	01414		2	LB	LB	12.000	50.000		27.271			.000				34.729		.000			
	ATL						.0300	*				.3600						.000			
NOTE- *		UNIT COST	DEFAULT	TAKEN																	
		TOTAL NUMBER OF ITEMS	8																		
																REPORT TOTAL	3,801.5700				

To print this report, use option 1 on the Status/Analysis Reports menu (AMIM21). The number of the warehouse appears in the header, if one was selected.

If you selected a sequence for the report, it appears in the header:

- Item number
- Item class
- Vendor number.

A listing of the ranges of information is printed on the report, based on the limits you specified. Ranges include:

- **ITEM NUMBER FROM** and **TO**
- **ITEM CLASS FROM** and **TO**
- **VENDOR NUMBER FROM** and **TO**.

Fields

ITM CLS. A user-defined code identifying the class for this item.

ITEM NUMBER. A number which serves to uniquely identify an item.

WH. The warehouse in which the item is located.

VENDOR. The primary vendor for this item.

IT TY. Valid types are:

- F** Feature
- 0** Phantom
- 1** Assembly or subassembly
- 2** Fabricated item
- 3** Raw material

- 4 Purchased item
- 9 User option

STK U/M. The stocking unit of measure. This is the item quantity used by a warehouse.

PRI U/M. The pricing unit of measure. This is the item quantity used for pricing.

QTY ON-HAND. Quantity of the item in stock.

QTY ON-ORDER. The sum of the production and purchase quantities on order.

STANDARD UNIT COST. This cost can be standard, average or last cost, depending on accounting method selected during application tailoring. An asterisk (*) to the right of this field indicates that the default was taken from the Item Master file.

MFG ALLOC QTY. The quantity of the item allocated to the order during this session.

CUSTOMER P L REQ. The customer order allocations.

ON-HAND COST. The value of on hand inventory. This is calculated as the quantity on hand multiplied by selected unit cost. On-hand inventory is valued whether it is positive or negative.

QTY AVAIL. This is calculated as quantity on hand plus quantity on order minus manufacturing allocated quantity minus customer pick list requirements.

PEND ALLOC. The quantity allocated for manufacturing orders ready for release.

BASE PRICE. The manually entered unit price of the item. If the report is run in item class or vendor number sequence, the total on-hand cost of all items in each class or vendor group prints under the **CUSTOMER PL REQ** and **ON-HAND COST** column. If the report is run in item class or vendor number sequence, the number of different items in each class or vendor group prints under the **QTY ON-HAND** column.

TOTAL NUMBER OF ITEMS. The total number of different items printed on the report.

REPORT TOTAL. The total on-hand cost of all items printed on the report.

Inventory Transaction Batch Control Update (AMI3X)

GATEWAY MFG CO	INVENTORY TRANSACTION BATCH CONTROL UPDATE	DATE 5/31/**	TIME 17.38.45	PAGE 1	AMI3X
BATCH NUMBER-	2	--- BATCH DELETED ---			
RECORD COUNT-	7				
WORK STATION-	E5				
OPERATOR ID-	JBD				

To print this report, use option 1 on the Transaction Processing menu (AMIM30).

Fields

BATCH NUMBER. This field indicates that the batch number has been deleted.

RECORD COUNT. The number of records in batch.

WORK STATION. Two asterisks (**) indicate offline entry.

OPERATOR ID. The identification of the operator who created or deleted this batch.

Inventory Transaction Batch Extract (AMI3E)

' GATEWAY MFG CO	INVENTORY TRANSACTION BATCH EXTRACT	DATE 5/31/**	TIME 14.17.45	PAGE 1	AMI3E
	--- BATCH NUMBER 1 ---				
	NO OF TRANSACTIONS 8				

To print this report, use option 3 on the Transaction Processing menu (AMIM30).

Fields

BATCH NUMBER. A number sequentially assigned by the application when batch was selected for processing.

NO OF TRANSACTIONS. The total number of transactions in this batch.

Inventory Transaction Edit List (AMI3B)

```

ANDREAS AUTO                INVENTORY TRANSACTION EDIT LIST                DATE 11/06/**  TIME 13.11.17  PAGE   1  AMI3B
                                OPER A1                BATCH  471
TRANS CODE:  IU/UNPLANNED COMP ISSUE          TRANS QTY:           6.000          TRANS AMT:           .0000
ORDER NUMBER: M002290                        U/M:                 EA                REFERENCE:  IU OFFLINE
ITEM NUMBER:  PEDAL054                        LOCATION:            A10131A           REASON:    REPLAC
DESCRIPTION:  PEDAL ASSEMBLY                  BATCH/LOT:           11/06/**           TRANS DATE: 11/06/**
WAREHOUSE:   PL1                              FIFO:                11/06/**           VENDOR:
BLK P.O. SEQ: 3                               MISC/SERV SEQ:      TOTAL QTY REQD:      16.000           GOODS NOTE: COBRA
COMP DESC:   PEDAL ASSEMBLY / (REPLACEMENT)  OP WHERE USED:      0040                GRN INV:    N
REQD DATE:   5/16/**                          QTY PER UN:         .1600000
CMP CODE:
USER SEQ:   0025
*** END OF PRINT ***

```

To print this report, use option 2 on the Transaction Processing menu (AMIM30). This report prints only if you are performing offline file load.

Fields

BATCH. Transaction batch number.

TRANS CODE. The type of inventory transaction. There are 18 different transaction codes for this report. For a listing of all available transactions and the fields that apply to them see Table 14-3.

TRANS QTY. The number of units of the item that were affected by the transaction.

TRANS AMT. If a transaction quantity is printed, this is the transaction amount. If no quantity is printed, this is a cost replacement amount.

ORDER NUMBER. The control number for customer, purchase, and manufacturing orders.

U/M. The unit of measure. These are the units used to express the item quantity.

REFERENCE. Any meaningful, user-assigned value used to refer to a related document such as a contract.

ITEM NUMBER. A number which serves to uniquely identify an item.

LOCATION. The stock location of the item if you are using controlled warehouses.

REASON. Reason code for transaction.

DESCRIPTION. The description of the item.

BATCH/LOT. This number appears if you chose the batch/lot option during application tailoring, and it applies to this item.

TRANS DATE. The transaction date.

WAREHOUSE. The number of the warehouse in which the item is located.

FIFO. This date appears if you chose the FIFO option during application tailoring.

VENDOR. The user-assigned number of the primary vendor for the item.

BLK P.O. SEQ. A sequence number assigned by the application if this transaction is a blanket release for a purchase order.

MISC/SERV SEQ. Line item sequence number for miscellaneous and service items.

GOODS NOTE. Goods received note number.

COMP DESC. A description entered on the transaction that overrides the STANDARD DESC from the Item Master file.

TOTAL QTY REQD. Total quantity required of this component of the order.

GRN INV (Goods Received Notes Invoice). Indicates whether or not the GRN is an IFM invoice number. If Y appears, IFM will interpret the GRN number as an invoice number for the invoice/receipt matching function. The field appears only when IFM is interfacing.

REQD DATE. Date the component is required.

OP WHERE USED. First operation in which the component is used.

QTY PER UN. Quantity per unit of this component required for the order.

CMP CODE. Valid codes are:

C Order complete
R Reopen order

USER SEQ. Sequence number of the Manufacturing Order Detail record.

Table 14-3. Offline Transactions processing matrix (AMI3B)

Field description	CA	CR	CS	IA	IP	IS	IU	IW	PB	PC	RC	RD	RI	RM	RP	RS	RW	SA
TRANS CODE	X	X	X	X	X	X	X	X	X	X	X	X	X	X	X	X	X	X
TRANS QTY	X			X	X	X	X	X	X	X	X	X	X	X	X	X	X	X
TRANS AMT	X										X			X	X	X	X	X
ORDER NUMBER	X	X	X		X		X			X		X	X	X	X	X		X
U/M	X			X	X	X	X	X			X	X	X	X	X	X	X	X
REFERENCE	X	X	X	X	X	X	X	X	X	X		X	X	X	X	X	X	X
ITEM NUMBER	X	X	X	X	X	X	X	X	X	X	X	X	X	X	X	X	X	X
LOCATION				X	X	X	X	X	X				X	X	X	X	X	X
REASON	X		X	X	X	X	X	X	X	X		X	X	X	X	X	X	X
BATCH/LOT				X	X	X	X	X	X				X	X	X	X	X	X
TRANS DATE	X	X	X	X	X	X	X	X	X	X		X	X	X	X	X	X	X
WAREHOUSE	X	X	X	X	X	X	X	X	X	X	X	X	X	X	X	X	X	X
FIFO				X	X	X	X	X	X				X	X	X	X	X	X
VENDOR	X										X	X	X	X	X			
BLK P.O. SEQ												X	X		X			
MISC/SERV SEQ												X	X		X			
GOODS NOTE / GRN												X*	X		X			
COMP DESC							X											
TOT QTY REQ							X											
QTY PER UN							X											
REQD DATE							X											
OP WHERE USED							X											
CMP CODE														X	X			
GRN INV												X**	X		X			
USER SEQUENCE					X		X										X	

Notes:

* GRN appears when IFM is interfacing

** GRN INV appears when IFM is interfacing

Inventory Transaction Register—Deleted/Error Items (AMV3G)

NORTHCREEK IND.	INVENTORY TRANSACTION REGISTER DELETED ITEMS	DATE 10/05/**	TIME 16.54.09	PAGE 1	AMV3G
		OPER 04			
TRANS. CD: RP	TYPE: PURCH.RECEIPT TO STOCK *	BCH-NO: 005	WS-ID: WARI040001	REV.: R	
ORDER NO: CO-0T0000001	ITEM NO: 21601	WATER - PURIFIED	SEQ: 0000001	BLK: 00000	
MRO	WORK ORDER-TASK: 843195-12	COST CODE: 303280	PROMISE DT: 00/00/00		
OP-SEQ:	RESUPPLY: N	HOURS: .00	U/M: EA		
LOCATION:	WHS: ATL	QUANTITY: .000	COMP. CD: R		
TO LOC:	TO WHS:	AMOUNT: .0000	VENDOR: 100		
REASON:	B/L NO.:	FIFO DATE: 10/03/**	NEW TRAN. DT: 10/03/**		
GRN NO.:	REFERENCE:	OLD TRAN. DT: 10/03/**			
		GRN INV.:			

To print this report, use option 3 on the Transaction Processing menu (AMIM30).

The header indicates the type of report this is. Transactions with at least one uncorrected E-type message print on this report. The fields on this report are described under the Processed Items report except REV and the totals line, explained below.

Fields

REV. An R suffix indicates that the transaction was entered in immediate update mode from the work station and then reversed.

TOTAL QUANTITY. The hash total of all transaction quantities on this report type.

TOTAL AMOUNT. The hash total of all transaction and cost replacement amounts on this report.

TOTAL TRANSACTIONS. The total number of transactions on this version of the report (error items or deleted items).

Inventory Transaction Register-Processed Items (AMV3G)

MAPICS XA		INVENTORY TRANSACTION REGISTER PROCESSED ITEMS				DATE 1/15/**	TIME 14.16.10	PAGE 1	AMV3G																																																																																																																																		
<table style="width: 100%; border: none;"> <tr> <td style="width: 25%;">TRANS. CD: SA</td> <td style="width: 25%;">TYPE: SALE ***</td> <td style="width: 25%;">BCH-NO: 013</td> <td style="width: 25%;"></td> <td style="width: 25%;"></td> <td style="width: 25%;"></td> <td style="width: 25%;"></td> <td style="width: 25%;"></td> <td style="width: 25%;"></td> <td style="width: 25%;"></td> </tr> <tr> <td>ORDER NO: A1-01000111C</td> <td>ITEM NO: END-ITEM</td> <td></td> <td></td> <td></td> <td></td> <td></td> <td></td> <td></td> <td></td> </tr> <tr> <td>LOCATION: AA01</td> <td>WHS: 1</td> <td></td> <td></td> <td></td> <td></td> <td></td> <td></td> <td></td> <td></td> </tr> <tr> <td>TO LOC:</td> <td>TO WHS:</td> <td></td> <td></td> <td></td> <td></td> <td></td> <td></td> <td></td> <td></td> </tr> <tr> <td>GRN NO.:</td> <td>B/L NO.: AA01</td> <td></td> <td></td> <td></td> <td></td> <td></td> <td></td> <td></td> <td></td> </tr> <tr> <td>REASON: 000001</td> <td>REFERENCE: REF0000001</td> <td></td> <td></td> <td></td> <td></td> <td></td> <td></td> <td></td> <td></td> </tr> <tr> <td>OLD ON-HAND: 153.000</td> <td>NEW ON-HAND: 103.000</td> <td></td> <td></td> <td></td> <td></td> <td></td> <td></td> <td></td> <td></td> </tr> <tr> <td>OLD ON-ORDER: 2857.000</td> <td>NEW ON-ORDER: 2857.000</td> <td></td> <td></td> <td></td> <td></td> <td></td> <td></td> <td></td> <td></td> </tr> <tr> <td>OLD ALLOC.: .000</td> <td>NEW ALLOC.: .000</td> <td></td> <td></td> <td></td> <td></td> <td></td> <td></td> <td></td> <td></td> </tr> <tr> <td>OLD AVAIL.: 3010.000</td> <td>NEW AVAIL.: 2960.000</td> <td></td> <td></td> <td></td> <td></td> <td></td> <td></td> <td></td> <td></td> </tr> <tr> <td colspan="10">AM-3322 NON-INVENTORIED ITEM ON CUSTOMER ORDER</td> </tr> </table>										TRANS. CD: SA	TYPE: SALE ***	BCH-NO: 013								ORDER NO: A1-01000111C	ITEM NO: END-ITEM									LOCATION: AA01	WHS: 1									TO LOC:	TO WHS:									GRN NO.:	B/L NO.: AA01									REASON: 000001	REFERENCE: REF0000001									OLD ON-HAND: 153.000	NEW ON-HAND: 103.000									OLD ON-ORDER: 2857.000	NEW ON-ORDER: 2857.000									OLD ALLOC.: .000	NEW ALLOC.: .000									OLD AVAIL.: 3010.000	NEW AVAIL.: 2960.000									AM-3322 NON-INVENTORIED ITEM ON CUSTOMER ORDER																													
TRANS. CD: SA	TYPE: SALE ***	BCH-NO: 013																																																																																																																																									
ORDER NO: A1-01000111C	ITEM NO: END-ITEM																																																																																																																																										
LOCATION: AA01	WHS: 1																																																																																																																																										
TO LOC:	TO WHS:																																																																																																																																										
GRN NO.:	B/L NO.: AA01																																																																																																																																										
REASON: 000001	REFERENCE: REF0000001																																																																																																																																										
OLD ON-HAND: 153.000	NEW ON-HAND: 103.000																																																																																																																																										
OLD ON-ORDER: 2857.000	NEW ON-ORDER: 2857.000																																																																																																																																										
OLD ALLOC.: .000	NEW ALLOC.: .000																																																																																																																																										
OLD AVAIL.: 3010.000	NEW AVAIL.: 2960.000																																																																																																																																										
AM-3322 NON-INVENTORIED ITEM ON CUSTOMER ORDER																																																																																																																																											
						* CALCULATED																																																																																																																																					
						WS-ID:	WARI040001																																																																																																																																				
						SEQ:	0000001	BLK:	00000																																																																																																																																		
						U/M:																																																																																																																																					
						SALES AMOUNT:	150.0000	* COMP. CD:																																																																																																																																			
						FIFO DATE:	1/15/93	VENDOR:																																																																																																																																			
						OLD TRAN. DT:	12/22/92	NEW TRAN. DT:	1/15/**																																																																																																																																		
						OLD STD COST:	1.0000																																																																																																																																				
						VALUE CHNG:	50.0000-	VARIANCE:	.0000																																																																																																																																		
<table style="width: 100%; border: none;"> <tr> <td style="width: 25%;">TRANS. CD: RC</td> <td style="width: 25%;">TYPE: PURCH.RECEIPT TO STOCK *</td> <td style="width: 25%;">BCH-NO: 014</td> <td style="width: 25%;"></td> <td style="width: 25%;"></td> <td style="width: 25%;"></td> <td style="width: 25%;"></td> <td style="width: 25%;"></td> <td style="width: 25%;"></td> <td style="width: 25%;"></td> </tr> <tr> <td>ORDER NO: A1-01000111C</td> <td>ITEM NO: TVP1</td> <td></td> <td></td> <td></td> <td></td> <td></td> <td></td> <td></td> <td></td> </tr> <tr> <td>LOCATION:</td> <td>WHS: ATL</td> <td></td> <td></td> <td></td> <td></td> <td></td> <td></td> <td></td> <td></td> </tr> <tr> <td>TO LOC:</td> <td>TO WHS:</td> <td></td> <td></td> <td></td> <td></td> <td></td> <td></td> <td></td> <td></td> </tr> <tr> <td>GRN NO.:</td> <td>B/L NO.:</td> <td></td> <td></td> <td></td> <td></td> <td></td> <td></td> <td></td> <td></td> </tr> <tr> <td>REASON:</td> <td>REFERENCE:</td> <td></td> <td></td> <td></td> <td></td> <td></td> <td></td> <td></td> <td></td> </tr> <tr> <td>OLD ON-HAND: 214521.999</td> <td>NEW ON-HAND: 214521.999</td> <td></td> <td></td> <td></td> <td></td> <td></td> <td></td> <td></td> <td></td> </tr> <tr> <td>OLD ON-ORDER: .000</td> <td>NEW ON-ORDER: .000</td> <td></td> <td></td> <td></td> <td></td> <td></td> <td></td> <td></td> <td></td> </tr> <tr> <td>OLD ALLOC.: 70.104</td> <td>NEW ALLOC.: 70.104</td> <td></td> <td></td> <td></td> <td></td> <td></td> <td></td> <td></td> <td></td> </tr> <tr> <td>OLD AVAIL.: 214451.895</td> <td>NEW AVAIL.: 214451.895</td> <td></td> <td></td> <td></td> <td></td> <td></td> <td></td> <td></td> <td></td> </tr> </table>										TRANS. CD: RC	TYPE: PURCH.RECEIPT TO STOCK *	BCH-NO: 014								ORDER NO: A1-01000111C	ITEM NO: TVP1									LOCATION:	WHS: ATL									TO LOC:	TO WHS:									GRN NO.:	B/L NO.:									REASON:	REFERENCE:									OLD ON-HAND: 214521.999	NEW ON-HAND: 214521.999									OLD ON-ORDER: .000	NEW ON-ORDER: .000									OLD ALLOC.: 70.104	NEW ALLOC.: 70.104									OLD AVAIL.: 214451.895	NEW AVAIL.: 214451.895																																						
TRANS. CD: RC	TYPE: PURCH.RECEIPT TO STOCK *	BCH-NO: 014																																																																																																																																									
ORDER NO: A1-01000111C	ITEM NO: TVP1																																																																																																																																										
LOCATION:	WHS: ATL																																																																																																																																										
TO LOC:	TO WHS:																																																																																																																																										
GRN NO.:	B/L NO.:																																																																																																																																										
REASON:	REFERENCE:																																																																																																																																										
OLD ON-HAND: 214521.999	NEW ON-HAND: 214521.999																																																																																																																																										
OLD ON-ORDER: .000	NEW ON-ORDER: .000																																																																																																																																										
OLD ALLOC.: 70.104	NEW ALLOC.: 70.104																																																																																																																																										
OLD AVAIL.: 214451.895	NEW AVAIL.: 214451.895																																																																																																																																										
						* CALCULATED																																																																																																																																					
						WS-ID:	WARI040001																																																																																																																																				
						SEQ:	0000001	BLK:	00000																																																																																																																																		
						U/M:	GL																																																																																																																																				
						AMOUNT:	1.0000	COMP. CD:																																																																																																																																			
						FIFO DATE:	11/03/**	VENDOR:																																																																																																																																			
						OLD TRAN. DT:		NEW TRAN. DT:	11/03/**																																																																																																																																		
						OLD STD COST:	.0000	NEW STD COST:																																																																																																																																			
						VALUE CHNG:	.0000	VARIANCE:	.0000																																																																																																																																		
<table style="width: 100%; border: none;"> <tr> <td style="width: 25%;">TRANS. CD: RP</td> <td style="width: 25%;">TYPE: PURCH.RECEIPT TO STOCK *</td> <td style="width: 25%;">BCH-NO: 014</td> <td style="width: 25%;"></td> <td style="width: 25%;"></td> <td style="width: 25%;"></td> <td style="width: 25%;"></td> <td style="width: 25%;"></td> <td style="width: 25%;"></td> <td style="width: 25%;"></td> </tr> <tr> <td>ORDER NO: P000067</td> <td>ITEM NO: PLSPEL</td> <td></td> <td></td> <td></td> <td></td> <td></td> <td></td> <td></td> <td></td> </tr> <tr> <td>*MRO*</td> <td>WORK ORDER-TASK: 843295-12</td> <td></td> <td></td> <td></td> <td></td> <td></td> <td></td> <td></td> <td></td> </tr> <tr> <td>OP-SEQ:</td> <td>RESUPPLY:</td> <td></td> <td></td> <td></td> <td></td> <td></td> <td></td> <td></td> <td></td> </tr> <tr> <td>LOCATION:</td> <td>WHS: MRO</td> <td></td> <td></td> <td></td> <td></td> <td></td> <td></td> <td></td> <td></td> </tr> <tr> <td>TO LOC:</td> <td>TO WHS:</td> <td></td> <td></td> <td></td> <td></td> <td></td> <td></td> <td></td> <td></td> </tr> <tr> <td>GRN NO.:</td> <td>B/L NO.:</td> <td></td> <td></td> <td></td> <td></td> <td></td> <td></td> <td></td> <td></td> </tr> <tr> <td>REASON:</td> <td>REFERENCE:</td> <td></td> <td></td> <td></td> <td></td> <td></td> <td></td> <td></td> <td></td> </tr> <tr> <td>OLD ON-HAND: 1708.000-</td> <td>NEW ON-HAND: 1608.000-</td> <td></td> <td></td> <td></td> <td></td> <td></td> <td></td> <td></td> <td></td> </tr> <tr> <td>OLD ON-ORDER: 1973831.603</td> <td>NEW ON-ORDER: 1973731.603</td> <td></td> <td></td> <td></td> <td></td> <td></td> <td></td> <td></td> <td></td> </tr> <tr> <td>OLD ALLOC.: 75691.818</td> <td>NEW ALLOC.: 75691.818</td> <td></td> <td></td> <td></td> <td></td> <td></td> <td></td> <td></td> <td></td> </tr> <tr> <td>OLD AVAIL.: 1896431.785</td> <td>NEW AVAIL.: 1896431.785</td> <td></td> <td></td> <td></td> <td></td> <td></td> <td></td> <td></td> <td></td> </tr> <tr> <td colspan="10">W AM-3356 PREVIOUS QUANTITY ON HAND IS NEGATIVE</td> </tr> </table>										TRANS. CD: RP	TYPE: PURCH.RECEIPT TO STOCK *	BCH-NO: 014								ORDER NO: P000067	ITEM NO: PLSPEL									*MRO*	WORK ORDER-TASK: 843295-12									OP-SEQ:	RESUPPLY:									LOCATION:	WHS: MRO									TO LOC:	TO WHS:									GRN NO.:	B/L NO.:									REASON:	REFERENCE:									OLD ON-HAND: 1708.000-	NEW ON-HAND: 1608.000-									OLD ON-ORDER: 1973831.603	NEW ON-ORDER: 1973731.603									OLD ALLOC.: 75691.818	NEW ALLOC.: 75691.818									OLD AVAIL.: 1896431.785	NEW AVAIL.: 1896431.785									W AM-3356 PREVIOUS QUANTITY ON HAND IS NEGATIVE									
TRANS. CD: RP	TYPE: PURCH.RECEIPT TO STOCK *	BCH-NO: 014																																																																																																																																									
ORDER NO: P000067	ITEM NO: PLSPEL																																																																																																																																										
MRO	WORK ORDER-TASK: 843295-12																																																																																																																																										
OP-SEQ:	RESUPPLY:																																																																																																																																										
LOCATION:	WHS: MRO																																																																																																																																										
TO LOC:	TO WHS:																																																																																																																																										
GRN NO.:	B/L NO.:																																																																																																																																										
REASON:	REFERENCE:																																																																																																																																										
OLD ON-HAND: 1708.000-	NEW ON-HAND: 1608.000-																																																																																																																																										
OLD ON-ORDER: 1973831.603	NEW ON-ORDER: 1973731.603																																																																																																																																										
OLD ALLOC.: 75691.818	NEW ALLOC.: 75691.818																																																																																																																																										
OLD AVAIL.: 1896431.785	NEW AVAIL.: 1896431.785																																																																																																																																										
W AM-3356 PREVIOUS QUANTITY ON HAND IS NEGATIVE																																																																																																																																											
						* CALCULATED																																																																																																																																					
						WS-ID:	TH0#1																																																																																																																																				
						SEQ:	0000000	BLK:	00000																																																																																																																																		
						PROMISE DT:	4/16/**																																																																																																																																				
						U/M:	LB																																																																																																																																				
						AMOUNT:	37500.0000	COMP. CD:																																																																																																																																			
						FIFO DATE:		VENDOR:																																																																																																																																			
						OLD TRAN. DT:	11/24/**	NEW TRAN. DT:	3/03/**																																																																																																																																		
						OLD STD COST:	14.5500	ORIGIN: USA																																																																																																																																			
						VALUE CHNG:	1455.0000	VARIANCE:	36045.0000																																																																																																																																		
						GRN:	GRN#-0987-654-3210-987-654	GRN INV:	Y																																																																																																																																		
<table style="width: 100%; border: none;"> <tr> <th colspan="2" style="text-align: left;">NORTHCREEK IND.</th> <th colspan="4" style="text-align: center;">INVENTORY TRANSACTION REGISTER TOTALS</th> <th style="text-align: right;">DATE 10/05/**</th> <th style="text-align: right;">TIME 16.54.09</th> <th style="text-align: right;">PAGE 5</th> <th style="text-align: right;">AMV3G</th> </tr> <tr> <td colspan="6"></td> <td style="text-align: right;">OPER 04</td> <td colspan="3"></td> </tr> <tr> <th style="text-align: left;">TRANSACTION TYPES</th> <th style="text-align: left;">CODE</th> <th style="text-align: left;">TRANS</th> <th style="text-align: left;">TOTAL QTY</th> <th style="text-align: left;">TOTAL TRANS AMT</th> <th style="text-align: left;">TOTAL REPLACE COST</th> <th style="text-align: left;">INVENTORY VALUE CHANGE</th> <th style="text-align: left;">INVENTORY VARIANCE ACCT</th> <td colspan="2"></td> </tr> <tr> <td>MISCELLANEOUS ISSUE</td> <td>IS</td> <td>1</td> <td>10.000</td> <td>.0000</td> <td>.0000</td> <td>12.5000-</td> <td>.0000</td> <td colspan="2"></td> </tr> <tr> <td>MISCELLANEOUS RECEIPT **</td> <td>RC</td> <td>5</td> <td>210.000</td> <td>.0000</td> <td>.0000</td> <td>1,262.5000</td> <td>.0000</td> <td colspan="2"></td> </tr> <tr> <td>PURCHASE RECEIPT TO INSP</td> <td>RI</td> <td>2</td> <td>10.000</td> <td>.0000</td> <td>.0000</td> <td>.0000</td> <td>.0000</td> <td colspan="2"></td> </tr> <tr> <td>PURCH. VENDOR ACCEPT #</td> <td>VA</td> <td>2</td> <td>.000</td> <td>.0000</td> <td>.0000</td> <td>.0000</td> <td>.0000</td> <td colspan="2"></td> </tr> <tr> <td>PURCH.RECEIPT TO STOCK **</td> <td>RP</td> <td>3</td> <td>.000</td> <td>.0000</td> <td>.0000</td> <td>.0000</td> <td>.0000</td> <td colspan="2"></td> </tr> <tr> <td colspan="2">FINAL TOTALS</td> <td>11</td> <td>230.000</td> <td>.0000</td> <td>.0000</td> <td>1,250.0000</td> <td>.0000</td> <td colspan="2"></td> </tr> </table>										NORTHCREEK IND.		INVENTORY TRANSACTION REGISTER TOTALS				DATE 10/05/**	TIME 16.54.09	PAGE 5	AMV3G							OPER 04				TRANSACTION TYPES	CODE	TRANS	TOTAL QTY	TOTAL TRANS AMT	TOTAL REPLACE COST	INVENTORY VALUE CHANGE	INVENTORY VARIANCE ACCT			MISCELLANEOUS ISSUE	IS	1	10.000	.0000	.0000	12.5000-	.0000			MISCELLANEOUS RECEIPT **	RC	5	210.000	.0000	.0000	1,262.5000	.0000			PURCHASE RECEIPT TO INSP	RI	2	10.000	.0000	.0000	.0000	.0000			PURCH. VENDOR ACCEPT #	VA	2	.000	.0000	.0000	.0000	.0000			PURCH.RECEIPT TO STOCK **	RP	3	.000	.0000	.0000	.0000	.0000			FINAL TOTALS		11	230.000	.0000	.0000	1,250.0000	.0000																																										
NORTHCREEK IND.		INVENTORY TRANSACTION REGISTER TOTALS				DATE 10/05/**	TIME 16.54.09	PAGE 5	AMV3G																																																																																																																																		
						OPER 04																																																																																																																																					
TRANSACTION TYPES	CODE	TRANS	TOTAL QTY	TOTAL TRANS AMT	TOTAL REPLACE COST	INVENTORY VALUE CHANGE	INVENTORY VARIANCE ACCT																																																																																																																																				
MISCELLANEOUS ISSUE	IS	1	10.000	.0000	.0000	12.5000-	.0000																																																																																																																																				
MISCELLANEOUS RECEIPT **	RC	5	210.000	.0000	.0000	1,262.5000	.0000																																																																																																																																				
PURCHASE RECEIPT TO INSP	RI	2	10.000	.0000	.0000	.0000	.0000																																																																																																																																				
PURCH. VENDOR ACCEPT #	VA	2	.000	.0000	.0000	.0000	.0000																																																																																																																																				
PURCH.RECEIPT TO STOCK **	RP	3	.000	.0000	.0000	.0000	.0000																																																																																																																																				
FINAL TOTALS		11	230.000	.0000	.0000	1,250.0000	.0000																																																																																																																																				
** WITHOUT TRANSACTION AMOUNT																																																																																																																																											
# NOT INCLUDED IN FINAL TOTALS																																																																																																																																											

To print this report, use option 3 on the Transaction Processing menu (AMIM30). When you select that option, the application posts all closed batches to the master files before printing the report.

The header indicates the type of report you selected. If you selected an Error Items report, transactions with at least one uncorrected E-type message print. If you

selected a Deleted Items report, transactions that were deleted by reversing the transaction from the work station with immediate update print.

If the Maintenance Management System (MMS) is interfacing with IM, you can print reports that show transactions for production items and Maintenance, Repair, and Overhaul (MRO) items. If International Financial Management (IFM) is interfacing, the Goods Received Notes Invoice (**GRN INV**) appears.

Fields

TRANS. CD. A two-letter code for the type of inventory transaction.

TYPE. The description of the type of transaction.

BCH-NO. The number of the batch that included the transaction.

WS-ID. The work station ID number where the transaction was entered.

ORDER NO. The order to which the transaction is related. If COM is installed and interfacing, a customer order number includes the company number that initiates the transaction and the order type.

ITEM NO. The item number to which the transaction is related. To the right is the item description. This description is taken from the Item Master file, even though a description may have been entered in order entry or changed in file maintenance.

SEQ. Sequence number of the Manufacturing Order Detail record related to this order.

BLK. A sequence number assigned by the application if this transaction is a blanket release for a purchase order.

The next four fields appear only for Maintenance, Repair, and Overhaul (MRO) items if IM is interfacing with the Maintenance Management System (MMS).

***MRO* (Maintenance Repair Overhaul item).** Indicates that this is a spare part or a service item.

WORK ORDER. The number of the work order that originated in MMS.

TASK. Identifies a step on the work order. It represents the task to charge field, not the task sequence number.

COST CODE. The cost category that MMS uses to accumulate a specific cost associated with this work order or item. It is used only for non-stores and service items in MMS.

Note: If the purchase order affected by the transaction refers to a work order, the information in the work order, task, and cost code fields was not entered during transaction entry; it comes from the purchase order.

The next four fields appear only for RP and VR transactions.

OP-SEQ. The operation sequence number for this transaction.

RESUPPLY. Resupply from the vendor on return to vendor transactions.

Y Yes, resupply required

N No, do not resupply

HOURS. The total number of run hours for the reported operation sequence of the purchase order.

PROMISE DT. The date the item was promised.

LOCATION. The stock location of the item if you are using controlled warehouses.

WHS. The number of the warehouse, if one was selected. For an interwarehouse transfer, this is the issuing warehouse.

QUANTITY. The quantity of the item affected by the transaction.

U/M. The unit of measure. This is an abbreviation for the unit in which the item is stocked and sold. Examples are EA (each), KG (kilogram), or M (meter).

TO LOC. The new stock location for a transferred item.

TO WHS. The receiving warehouse for an interwarehouse transfer.

AMOUNT. The extended cost of the transaction. It equals the unit cost times the quantity transaction.

Because each transaction is costed separately on this report, the amount shown may reflect a rounding variation when compared to the Order Status—Accounting Report (AMC130), which is produced by PC&C.

COMP. CD. The completion code indicates the status of the order when this transaction was posted. Valid codes are:

C Close order

R Reopen order (immediate update only)

B/L NO. The batch or lot number used for the transaction, if you chose batch/lot support during application tailoring and it applies to this item.

FIFO DATE. The date when the item was received into stock. This field appears only if the FIFO option is active.

VENDOR. The user-assigned number of the primary vendor for the item.

REASON. User-entered reference information.

REFERENCE. User-defined reference information, such as a contract number. It is the invoice number if you entered it during order release. If you entered no information, this field is blank.

OLD TRAN. DT. The date the quantity on hand for the item was last affected by a transaction. The date prints only when there was prior activity and the transaction code is one of the following:

IA	Inventory adjustment
IP	Planned issue
IS	Miscellaneous issue
RC	Miscellaneous receipt
RM	Production receipt
RP	Purchase receipt to stock
RS	Component return to stock
SA	Sales shipment

NEW TRAN. DT. The date assigned to the transaction shown.

ORIGIN. The country of origin for this item. This information may have come from the purchase order or it was entered with the transaction.

OLD and NEW ON-HAND. The quantity of the item in inventory before and after this transaction was posted. When the item is coded inspect on receipt, this quantity is not adjusted until an MQ transaction is processed from the Quality Control Transaction menu option.

OLD and NEW STD COST. Old and new unit costs for the item. The accounting cost (standard, average, or last) used depends on the method you selected during application tailoring. Sales (SA) transactions do not affect old and new costs.

OLD and NEW ON-ORDER. The sum of the production and purchase quantities of the item on order but not yet received into inventory before and after this transaction. When the item is coded inspect on receipt, this quantity is not adjusted until an MQ transaction is processed from the Quality Control Transaction menu option.

VALUE CHNG. The amount by which the value of the inventory for the item has changed as a result of the transaction. The balances are shown as of the moment each transaction was processed.

VARIANCE. The amount to be placed in the inventory variance account as a result of the transaction. Variance values are not affected by sales (SA) transactions.

OLD and NEW ALLOC. The sum of manufacturing allocations and customer pick list requirements for the item before and after this transaction.

OLD and NEW AVAIL. The uncommitted quantity of the item before and after this transaction. Quantity available is the quantity on hand plus the quantity on order minus the manufacturing allocated quantity minus the customer pick list requirements.

It is possible, in an immediate update environment, that the old and new balances will not appear to flow logically from one transaction to the next when there are multiple transactions for the same item.

GRN. The goods received note number.

GRN INV. Indicates whether the GRN is an IFM invoice number. If Y appears, IFM will interpret the GRN number as an invoice number for the invoice/receipt matching function. The field appears only when IFM is interfacing.

The remaining information applies to the totals section of the report.

TRANSACTION TYPES. A list of all transaction types included in the report. Some types are listed twice when they have had transactions with and without transaction amounts. These are distinguished by the footnotes on the report.

TRAN CODE. A two-letter code for each type of transaction.

TOTAL QTY. The total number of units of the item that were affected by each transaction type.

TOTAL TRANS AMT. The total cost of inventory changes caused by each type of transaction.

TOTAL REPLACE COST. The cost of replacing items taken from inventory as a result of each transaction type. The cost used is the last cost of the item.

INVENTORY VALUE CHANGE. The total of inventory value changes caused by each transaction type.

INVENTORY VARIANCE ACCT. The amount to be posted to the inventory variance account as a result of each type of transaction.

FINAL TOTALS. The totals for all items for all transaction types.

Footnotes are comments that describe special conditions for a transaction. The conditions are identified by special characters printed beside the transaction type.

Inventory Valuation (AMISQ, AMISR, AMISS)

GATEWAY MFG CO		INVENTORY VALUATION		DATE 8/10/**		TIME 16.00.16	PAGE 1	AMISQ
		WAREHOUSE ATL		ITEM FROM BEGINNING				
		ITEM CLASS FROM BEGINNING		TO END				
ITEM	ITEM TYPE CLASS	DESCRIPTION	STANDARD UNIT COST	QUANTITY ON HAND	QUANTITY NOT APPRV	TOTAL COST ON HAND	TOTAL COST U/ NOT APPRV /M	COST DLFT
200203	4 ATLA	WINE THREAD	.0000	0.000	0.000			EA
200204	4 ATLA	NAVY THREAD	.0000	0.000	0.000			EA
200205	4 ATLA	BEIGE THREAD	.0000	18.000-	0.000			EA
NEGATIVE QUANTITY								
200206	4 ATLA	GRAY THREAD	.0000	0.000	0.000			EA
200207	4 MATL	GLUE	1.2600	30.000	175.000	37.800	220.500	EA Y
200208	3 HDWR	HARDBOARD	1.2600	4.000	0.000	20.000		EA
200209	4 HDWR	LEFT LOCK	5.0000	1049.000	0.000	3,147.000		EA
200210	4 HDWR	RIGHT LOCK	3.0000	0.000	0.000			EA
200211	4 HDWR	PRESHARPENED WOOD HAND	.0000	0.000	0.000			EA
200212	4 HDWR	FEET	.0000	0.000	0.000			EA
200213	4 HDWR	FRONT CLOSURES	.0000	100.000	0.000			EA
200214	4 HDWR	HINGES	.0000	696.000	0.000			EA
200215	4 MATL	LABELS	.0000	0.000	0.000			EA
200217	4 ATLA	BROWN DEC BUT SNA	.0000	0.000	0.000			DZ
200218	4 ATLA	WINE DEC BUT SNAP S	.0000	15.000	0.000			EA
200219	4 ATLA	NAVY DEC BUT SNAP S	.0000	0.000	0.000			EA
200220	4 ATLA	BEIGE DEC BUT SNAP	.0000	0.000	0.000			EA
200221	4 ATLA	GRAY DEC BUT SNAP S	.0000	0.000	0.000			EA
200222	3 DYE	BLACK DYE	.0000	0.000	0.000			CS
200223	3 DYE	BROWN DYE	.0000	942.000	822.000			CS
200224	3 DYE	WINE DYE	.0000	0.000	100.000			CS
200225	3 DYE	NAVY DYE	.0000	0.000	0.000			CS
200226	3 DYE	BEIGE DYE	.0000	0.000	475.000			CS
200227	3 DYE	GRAY DYE	.0000	0.000	100.000			CS
24 RECORDS PROCESSED			VALUATION TOTALS		ON HAND 3,204.800	NOT APPRV 220.500		

*** END OF PRINT ***

To print this report, use option 9 on the Inventory Reports menu (AMIM22).

The three reports are identical except for the unit cost field. Standard cost is used in report AMISQ, last cost is used in report AMISR, and average cost is used in report AMISS.

The warehouse code typed in on the Select display (AMISP1) appears. The range of item numbers and the range of item classes typed in on the Select display (AMISP1) appear. If a range was not entered, **BEGINNING TO END** appears.

Fields

ITEM. The item number.

ITEM TYPE. The item type for the corresponding item.

ITEM CLASS. The item class for the corresponding item.

DESCRIPTION. The item description.

STANDARD UNIT COST. This field is standard cost, last cost, or average cost depending upon the option you selected. If the value is 0, the Unit Cost Default (UCDEF) from the Item Master file A-record is used.

QUANTITY ON HAND. The quantity of the item approved for use. QC types are Checked or N/A (not applicable).

QUANTITY NOT APPRV. The quantity of the item that is not approved for use. QC types are QC due, reject, or waiting.

TOTAL COST ON HAND. The standard unit cost multiplied by the quantity on hand. If the standard unit cost is 0, the Unit Cost Default as stored in the Item Master file A-record is used to calculate this total.

TOTAL COST NOT APPRV. The standard unit cost multiplied by the quantity not approved. If the standard unit cost is 0 (zero), then the Unit Cost Default as stored in the Item Master file A-record is used to calculate this total.

U/M. The stocking unit of measure.

COST DLFT. If the Unit Cost Default as stored in the Item Master file A-record was used to calculate totals for this item, Y appears.

NEGATIVE QUANTITY. If either the Quantity On Hand or Quantity Not Approved amount is negative, the message *NEGATIVE QUANTITY* prints on the next line.

RECORDS PROCESSED. The number of items listed on the report.

ON HAND. The total cost of all items on hand.

NOT APPRV. The total cost of all items not approved.

If you have more than one warehouse defined in the Warehouse Master file (WHSMST) and you have selected all warehouses, the fields **RECORDS PROCESSED**, **ON HAND**, and **NOT APPRV** are printed a second time to show the total number of records processed and the value of on hand and unapproved quantities for all warehouses.

Inventory Valuation and Variance Report (AMI5H1)

GATEWAY MFG CO.		INVENTORY VALUATION AND VARIANCE REPORT				DATE 12/01/** TIME 14.55.46 PAGE 1 AMI5H1	
PROCESSED ITEMS - APPROVED SEQUENCED BY WAREHOUSE							
ITEM NUMBER	WH NO.	ITEM DESCRIPTION	U/M	CUTOFF QUANTITY	TRANS.ACT. DIFFERENCE	STANDARD UNIT COST	BCH NO
ITEM LOCAT.	LOCATION	BATCH/LOT FIFO DATE		LOCATION QUANTITY	PHYSICAL COUNT	QTY DIFF	WS ID
							VARIANCE AMOUNT
89911	ATL	THERMOCOUPLE					47 THO#2
	AE03AA	BBB 5/24/**	EA		50.000	26.0000	
89911	ATL	THERMOCOUPLE				10.000	47 THO#2
	AE03AA	BB2 5/15/**	EA		40.000		
89911	ATL	THERMOCOUPLE					47 THO#2
	VL21	BB3 5/24/**	EA		15.000		
				100.000	.000	10.2500	TOTALS
				100.000	105.000	5.000	26.00-
				802.000	.000	10.2500	TOTALS
				802.000	105.000	.000	26.00-
W AM-3113 MULTIPLE COUNTS ENTERED FOR ITEM/HOUSE			EA	802.000	105.000	.000	26.00-
* -NOTE-DEFAULT TAKEN TO STANDARD UNIT COST						5.000	26.00-
# -NOTE-DEFAULT STOCKING LOCATION						3	
				PROCESSED APPROVED	TRANSACTIONS-	0	
				PROCESSED APPROVED	ITEMS NO VARIANCE-	0	
				PROCESSED APPROVED	VARIANCE ITEMS-	1	

GATEWAY MFG CO		DATE 12/02/** TIME 10.51.38 PAGE 1 AMI5H2							
ITEMS SELECTED FOR PHYSICAL INVENTORY/CYCLE COUNT - NO COUNT ENTERED									
WHSE NO.	LOC.	ITEM NUMBER	DESCRIPTION	U/M	CUTOFF QUANTITY	CYCLE CNT CD	LAST SELECT PHYS/CYC	LAST USAGE	ACTUAL COUNT
	LOCATION	BATCH/LOT	FIFO DATE						
DAL	A316	00217	PUMP ASSEMBLY	EA	.000	0	6/30/**	7/15/**
ATL		00217	PUMP ASSEMBLY	EA	3,490.000	4	5/23/**	5/22/**
#	AABBB	BL92	4/10/** -APPROVED		946.000				
	AA01AA	BL92	4/11/** -APPROVED	6.000					
	AA01ABC	BL92	4/16/** -APPROVED		5.000				
TOTAL NUMBER OF ITEMS SELECTED AND NOT COUNTED				2					
# -NOTE- DEFAULT STOCKING LOCATION									

To print this report, use option 5 on the Physical Inventory menu (AMIM50).

The header indicates the type of report you selected. If you selected an Error Items report, transactions with at least one uncorrected E type message print. If you selected a Processed Items report, transactions which were deleted by reversing the transaction from the work station with immediate update print.

The header also indicates whether the status of the items is approved or unapproved. The sequence selection is always by warehouse.

Messages about transactions in error are printed above the totals. In the example, the report shows the warning message that appears when there are multiple transactions for the same item.

Fields

ITEM NUMBER. A number which serves to uniquely identify an item.

WH NO. The warehouse in which the item is located.

ITEM DESCRIPTION. Description of the item.

U/M. The unit of measure. These are the units used to express the item quantity.

CUTOFF QUANTITY. The balance on hand at the time the item was selected for counting. This value does not change.

TRANS. ACT. DIFFERENCE. The quantity on hand at the time this report was requested, minus cutoff quantity. If the value is not 0 (zero), the quantity on hand has changed since the item was selected for counting. This value merely serves as an aid in reconciling a quantity difference.

STANDARD, AVERAGE, or LAST UNIT COST. The unit cost for the item based on the costing method defined in the install/tailor questionnaire. An asterisk (*) indicates that the item had no selected unit cost, and the default was taken from the Item Master file.

BCH NO. The number of the batch in process.

WS ID. The ID for the work station on which you are working.

ITEM LOCAT. A code indicating the item's location in the warehouse from the Item Balance file. If you are using a controlled warehouse and not tailored to use default locations, no data is printed in this field. If you are using default location support and this report is for a controlled warehouse, this field contains the default location taken from the Item Balance file.

LOCATION. The stock location of the item from the Stock Location Quantity file, if you are using controlled warehouses. If you are using uncontrolled warehouses, no data is printed in this field.

BATCH/LOT. The batch or lot number is printed if you chose the batch/lot option during application tailoring, and it applies to this item. If you are using uncontrolled warehouses, no data is printed in this field.

FIFO DATE. If you chose the FIFO option during application tailoring, the date the item was received in stock is printed. If you are using uncontrolled warehouses, no data is printed in this field.

LOCATION QUANTITY. This is the total quantity for each location at the time the physical count is entered.

PHYSICAL COUNT. The actual quantity of the item in the warehouse.

QTY DIFF. The physical count minus quantity on hand at the time the count was entered. This field contains the quantity by which inventory will be adjusted.

VARIANCE AMOUNT. This is calculated as difference quantity multiplied by unit cost.

PROCESSED BATCH TOTALS. The sum of the differences between the Location Quantity and Physical Count fields, by location.

TRANSACTIONS. The number of transactions for report type group.

ITEMS NO VARIANCE. The number of items for report type group without variance.

VARIANCE ITEMS. The number of items for report type group with variance.

Invoices on Goods Received Notes (AMIGG2)

NORTHCREEK IND.		INVOICES ON GOODS RECEIVED NOTES				DATE 8/10/** TIME 16.00.16		PAGE 1	AMIGG2		
FROM 1/01/** TO END											
GRN	GRN DATE	GRN AMOUNT	ITEM	QUANTITY	U/M	VENDOR	ORDER	QC INSPECTED	INV DATE	INVOICE	
GRN#-123-4567-89021-345-67	8/17/**	1,000.0000	200223	100.000	CS	100100	P300020	YES	6/12/**	SMP02	
GRN#-123-4567-89022-345-68	8/19/**	75.0000	200223	49.000	CS	100175	P300020	YES	2/07/**	11011	
GRN#-123-4567-89023-345-97	9/13/**	75.0000	200223	75.000	CS	100225	P300020	YES	2/07/**	13131	
GRN#-123-4567-89024-345-99	9/14/**	150.0000	200207	150.000	EA	100250	P300050	YES	5/13/**	11111	
GRN#-123-4567-89025-345-07	9/14/**	50.0000	200200	75.000	EA	100100	P300050	YES	2/07/**	111	
TOTAL AMOUNT OF GRNS LISTED				1,350.0000							
*** END OF PRINT ***											

To print this report, use option 8 on the Inventory Reports menu (AMIM22). Then use option 2, Tagged Between Two Dates, on the Select panel AMIGE1. The dates typed in on the Select panel appear.

Fields

GRN. Goods received note number.

GRN DATE. The date the GRN was entered.

GRN AMOUNT. The order or item value associated with the GRN.

ITEM. Item identification number.

QUANTITY. The item quantity associated with the GRN.

U/M. The stocking unit of measure.

VENDOR. The vendor number associated with the GRN.

ORDER. Order number.

QC INSPECTED. Either YES or NO appears. This field appears only if quality control is active.

INV DATE. The date the GRN was matched with an invoice.

INVOICE. The invoice number associated with the GRN. If no invoice is posted, this field is blank.

TOTAL AMOUNT OF GRNS LISTED. The sum of the **GRN AMOUNT** column.

Invoices on Goods Received Notes Since Last Report (AMIGG1)

GATEWAY MFG CO	INVOICES ON GOODS RECEIVED NOTES	DATE 8/10/**	TIME 16.00.16	PAGE 1	AMIGG1			
SINCE LAST REPORT								
GRN	GRN DATE	GRN AMOUNT	ITEM	QUANTITY U/M	VENDOR ORDER	QC INSPECTED	INV DATE	INVOICE
GRN#-123-4567-89026-345-62	6/23/**	7,239.0000	1752656	600,000.000 EA	100000 P000110	NO	7/07/**	IN43550
GRN#-123-4567-89027-345-67	4/01/**	2.0000	21620	2.000 GM	VEND5 P1095	NO	5/01/**	IN43268
GRN#-123-4567-89028-345-68	5/19/**	1,000.0000	21372	10.000.000 LB	100500 P000002	YES	6/15/**	IN43387
TOTAL AMOUNT OF GRNS LISTED				8,241.0000				
*** END OF PRINT ***								

To print this report, use option 8 on the Inventory Reports menu (AMIM22). Then use option 1, Tagged Since Last Report, on the Select panel AMIGE1.

Fields

GRN. Goods received note number.

GRN DATE. The date the GRN was entered.

GRN AMOUNT. The order or item value for the GRN.

ITEM. Item identification number.

QUANTITY. The item quantity associated with the GRN.

U/M. The stocking unit of measure.

VENDOR. The vendor number associated with the GRN.

ORDER. Order number.

QC INSPECTED. Either YES or NO appears. This field appears only if quality control is active.

INV DATE. The date GRN was matched with invoice.

INVOICE. The invoice number associated with the GRN. If no invoice is posted, this field is blank.

TOTAL AMOUNT OF GRNS LISTED. The sum of the **GRN AMOUNT** column.

Invoices to Goods Received Notes (AMIGH)

NORTHCREEK IND.		INVOICES TO GOODS RECEIVED NOTES		DATE 8/10/**	TIME 16.00.16	PAGE 1	AMIGH
GRN	INVOICE NO	INVOICE DATE	ACTION TAKEN				
GRN#-123-4556-89023-345-67	5670433	6/21/**	INVOICE CHANGED				
GRN#-123-4567-89034-345-67	5670437	6/22/**	GRN DELETED				
NORTHCREEK IND. SESSION STATUS		INVOICES TO GOODS RECEIVED NOTES		DATE 8/10/**	TIME 16.00.16	PAGE 1	AMIGH
	RECORDS CHANGED	1					
	RECORDS DELETED	1					
*** END OF PRINT ***							

To print this report, use option 8 on the Transaction Processing menu (AMIM30).

Fields

GRN. Goods received note number.

INVOICE NO. The invoice number associated with the GRN. If no invoice is posted, this field is blank.

INVOICE DATE. The date the invoice was posted.

ACTION TAKEN. The maintenance action taken on the listed record. Shows one of the following:

- INVOICE CHANGED
- GRN DELETED

SESSION STATUS.

RECORDS CHANGED. The number of records changed in the file during the session. This number is printed only if records changed.

RECORDS DELETED. The number of records deleted from the file during the session. This number is printed only if records deleted.

Item Balance File List (AMI2T)

PHAN IMPORTS		ITEM BALANCE FILE LIST		DATE 11/05/**	TIME 10.17.53	PAGE 1	AMI2T
WAREHOUSE 1		ITEMS FROM 03424 TO 03424		OPER A1			
ITEM- 03424	WAREHOUSE- ATL	DESCRIPTION-	TREADLE ASSEMBLY	CLASS-	2001 STOCK LOC-	A10124A	VENDOR-
PLANNER		QUANTITY ON-HAND	948.000	QTY SOLD PTD	.000	STD UNIT COST	.00000000
ACTIVITY CODE	A	ON-ORDER PROD QTY	.000	QTY SOLD YTD	.000	AVG UNIT COST	.00000000
LEAD TIME CODE	M	ON-ORDER PUR QTY	.000	QTY ISSUED MTD	.000	LAST UNIT COST	.00000000
LEAD TIME M. STD	6.0	PICK LIST REQMENT	.000	QTY ISSUED YTD	.000	COST DEV. CODE	
LEAD TIME M. VAR	.0	ALLOCATED QTY	.000	QTY RECEIVED MTD	.000	USAGE COST MTD	.00
LEAD TIME M. ADJ	1.0	BEGIN INVENTORY	948.000	QTY ADJ PTD	.000	USAGE COST YTD	4,178.59
LEAD TIME M. AVG	5.0	SAFETY STOCK	4.000	QTY USED MTD	.000	SALES COST MTD	.00
CMLT MFG	.0	ORDER POINT	50.000	QTY USED YTD	865.000	SALES COST YTD	.00
LEAD TIME P. STD	.0	FIXED ORDER QTY	.000	AVG PERIOD-END-BAL	555.33	SALES AMT PTD	.00
LEAD TIME P. ADJ	0	REQ PLAN ACTIVITY	0	PHY ON-HAND AT COUNT	.000	QUANTITY SOLD SINCE PLAN	0
LEAD TIME P. AVG	.0	CYCLE CNT ACTIVITY		AVG SALES/PERIOD	.00	SALES AMOUNT YTD	
CMLT MTL	.0	CYCLE COUNT CODE	0	EST.ANNUAL USAGE	2,001.810	DATE LAST MAINT	5/14/**
FLOOR STOCK CODE		CYCLE CNT TRANS ACT	9	DATE OF LAST ISSUE	8/15/**	DATE OF LAST SALE	0/00/00
LEAD TIME P. VEN	.0	CYCLE CNT COMPARE	100	DATE LAST AFFECT QTY OH	9/30/**	DATE OF LAST USAGE	8/15/**
LEAD TIME P. SAF	.0	LAST PHY/CY INV DATE	7/29/**	PURCHASE U/M	EA	INCLUDE INVENTORY BALANCE	1
LEAD TIME P. REV	.0	DATE FOR NEXT CY CNT	99/99/99	PUR U/M CNV	1.00000	MASTER SCHEDULE ITEM CODE	M
SCHEDULE CONTROL	0	PRIMARY PRODUCTION LINE		SMOOTHING CODE		CONTAINER DESCRIPTION	
EXTRACT SRC CODE		STOCK CONFIGURATION CODE	1	SMOOTHING STARTDATE	0/00/00	QUANTITY PER CONTAINER	1.000
CARRY FORWARD CODE	0	SCHEDULE GROUP		LOT SIZING CODE	1	COMBINE REQUIREMENTS CODE	0
MASTER LVL ITEM CODE		MASTER LEVEL FCST CODE	2	MINIMUM QTY	10.000	AUTO RELEASE CODE	0
ORDER POLICY CODE	G	NO OF PERIODS	0	MAXIMUM QTY	.000	CONTRACT REQUIRED CODE	1
MASTER LVL PRT CODE		DAYS/PERIOD	22	MULTIPLE QTY	.000	SHRINKAGE	.000
MAX # LINES/ITEM	A	FORECAST QTY	1500	MPS PLANNING SOURCE CODE		PRBRK CONV FACTOR	.0000
PERIOD INTERVAL CODE	0	FIRM TIME FENCE	0	DAYS SUPPLY	10	PLAN CUSTOMER ORDER CODE	4
ITM ACTG CLS	D03	AUTH TIME FENCE	0	DEMAND TIME FENCE		PLAN EXPECTED ORDER CODE	A
ITEM RESCHEDULE CODE	0	RESCHEDULE FROZEN ZONE	0	MIN DAYS TO RESCHEDULE	0	PLANNING PROFILE ID	ABC
FORECASTING CODE	0	RESOURCE NUMBER	123	RESOURCE PROFILE BUILD CODE	Y	PRODUCTION FAMILY PLANNER	BS
BACKFLUSH CODE	0						
						TOTAL NUMBER OF RECORDS SELECTED	1
*** END OF PRINT ***							

To print this report, use option 2 on the File Listings menu (AMIM23) or option 1 on the REP File Listings menu (AMQM20).

Fields

ITEM. The item number.

PLANNER. A code that identifies the person responsible for planning the replenishment for manufacturing or purchase items.

ACTIVITY CODE. Either of the following:

- A** Active
- S** Suspended

LEAD TIME CODE. A required code that indicates which lead time to use:

- M** Manufacturing lead time
- P** Purchasing lead time.

LEAD TIME M. STD. A numeric value that is the total lead time to manufacture one standard lot size of the item based on availability of components and the use of a single level bill of material. Standard manufacturing lead time includes fixed time factors (such as setup, move, and queue times) and quantity-dependent factors (such as run times to produce standard lots). See Chapter 2, "Managing Inventory Management" for the relationship between the various lead times.

LEAD TIME M. VAR. A numeric value that is the portion of total manufacturing lead time dependent on the quantity produced. It is the run time for all operations that do not have a fixed length of time per lot. This value is used when computing quantity-based lead times in MRP. If a value is not in this field, MRP assumes that the quantity-based lead time calculations do not apply and that, regardless of the planned order quantity, the lead time will be the sum of the standard manufacturing lead time and the manufacturing lead time adjustment.

LEAD TIME M. ADJ. A numeric value that is the portion of the total lead time required for quantity-independent administrative activities such as review time or requisition processing time. This value is added to the standard manufacturing lead time to arrive at the total manufacturing lead time.

LEAD TIME M. AVG. A numeric value that is the weighted average number of working days between the release of a manufacturing order and its completed receipt to stock. This field is updated by the application, but may be changed using file maintenance.

CMLT MFG. A numeric value that is the composite lead time when all purchased items are assumed to be in stock. Cumulative manufacturing lead time ignores the effect of purchase lead times. This field is manually maintainable.

LEAD TIME P. ST. A numeric value that is the value for purchased items that is the actual vendor-quoted lead time. The total purchase lead time is the sum of this value and the purchase lead time adjustment.

LEAD TIME P. ADJ. A numeric value that represents dock-to-stock time. Total purchase lead time is the sum of purchase lead time adjustment and purchase lead time.

LEAD TIME P. AV. A numeric value that is the weighted average number of working days between purchase order start and completion. The average purchase lead time is calculated by the application. However, the field is manually maintainable.

CMLT MTL. A numeric value that is the amount of time necessary to produce a standard lot size of the item when starting with no materials on hand. It is the sum of the longest lead time for a purchased component, on the lowest level of the product structure, and the longest manufacturing or purchase lead time in the next higher assembly. Cumulative material lead time is the maximum amount of time required to purchase the materials and manufacture an item. The application does not calculate this field; it is manually maintained.

FLOOR STOCK CODE. The floor stock number for this item. Valid codes are:

blank This item is not floor stock.
C This item is controlled floor stock.
U This item is uncontrolled floor stock.

LEAD TIME P. VEN. A numeric value that is the vendor-quoted number of days between the vendor's receipt of your order and delivery to your dock. This field appears only if Purchasing is installed and interfacing.

LEAD TIME P. SAF. A numeric value that is the number of days allocated for unexpected delays. This field appears only if Purchasing is installed and interfacing.

LEAD TIME P. RE. A numeric value that is the number of days between creation of the requisition and release of the order to the vendor. This field appears only if Purchasing is installed and interfacing.

SCHEDULE CONTROL. The item schedule control code. The code tells whether demand for the item is brought into REP when the requirements extract option is selected.

N The item is not schedule-controlled. This is the default.
Y The item is schedule-controlled.

EXTRACT SRC CODE. A code used to indicate to REP the single source of demand for the item. If you change this field, you may want to change the smoothing code.

blank No override. This is the default.
1 MRP, if it is installed and interfacing with REP.
2 COM, if it is installed and interfacing with REP.
3 Schedule Demand (interface) file.

STOCK CONFIGURATION CODE. A code used by KBC that indicates whether the item is stocked. Appears only if KBC is installed and interfacing.

CARRY FORWARD CODE. A code used to indicate whether the difference between quantity produced and demand quantity should be brought forward into the next day's schedule as unmet demand. This field is required if the **SCHEDULE CONTROL** field contains Y.

N Do not carry forward the difference between schedule and schedule receipt. This is the default.
Y Carry forward the difference between schedule and schedule receipt.

MASTER LEVEL ITEM CODE (MLIC). A code used by MRP (if installed and interfacing) to indicate if this item is a master level item and, if so, which requirements to use when planning orders. The codes are:

blank Not a master level item (MLI).
M Multiple source MLI. Both planner-entered (manual, held, and propagated) and generated requirements cause planned orders to be created for this item.
S Single source MLI. Only planner-entered requirements cause planned orders to be created.

ORDER POLICY CODE (ORDP). Code to identify the order policy to be used to plan replenishment orders for this item:

A Discrete order quantity
B Order point, order quantity
C Order point, order up to level
D Fixed quantity
F Part period balancing—standard cost
G Time periods of supply
H Discrete above a minimum quantity
I Part period balancing—current cost
Z User option.

If MRP or MPSP is active with IM, items with an order policy code of B or C are not planned.

MASTER LVL PRT CODE (MLPC). Code used by MRP to indicate whether this item prints on MRP's MLI reports during master level planning runs:

- blank** Always prints
- L** Prints only if this item's level was planned
- S** Does not print on MRP's MLI reports

MAX # LINES/ITEM (MXLN). A code used to indicate the maximum number of lines to be printed for this item on the MRP Requirements Planning Report and the MPSP Master Schedule Planning Report. The codes are:

- blank** One page per item
- A** All detail

PERIOD INTERVAL CODE (PDIN). A code used by MRP (if installed and interfacing) to indicate how requirements detail is presented on the Requirements Planning report. The codes are:

- 0** Print full detail.
- 1** Summarize according to the first set of print intervals.
- 2** Summarize according to the second set of print intervals.
- 3** Summarize according to the third set of print intervals.

This code corresponds to the print intervals defined on MRP Period Interval display, AMM120.

ITM ACTG CLS. Class, defined by your company, to group or classify items for accounting purposes.

ITEM RESCHEDULE CODE. Code used to indicate whether or not orders for the item (by item/warehouse) can be rescheduled automatically by the system.

- 0** Default to warehouse reschedule code. This is the default.
- 1** Cannot be rescheduled automatically
- 2** Can be scheduled out
- 3** Can be scheduled in
- 4** Can be scheduled both out and in

FORECASTING CODE (FCSC). The code used to control forecasting for this item in this warehouse. The available codes are:

- 0** Do not forecast this item.
- 1** Forecast but do not pass to MRP/MPSP.
- 2** Pass only forecast to MRP/MPSP.
- 3** Pass both forecast and requirement to MRP/MPSP.

BACKFLUSH CODE (BFFL). The code that identifies whether component backflushing is done using the component quantity adjusted for yield or the standard component quantity.

- 1** Use adjusted quantity per to backflush (default).
- 2** Use standard quantity per to backflush.

WAREHOUSE. Warehouse number, if one was selected.

QUANTITY ON-HAND. Quantity of the item received this period or month-to-date.

ON-ORDER PROD QTY. Quantity open on manufacturing orders.

ON-ORDER PUR QTY. Quantity open on purchasing orders.

PICK LIST REQMENTS. Customer order allocation quantity.

ALLOCATED QUANTITY. Quantity allocated to manufacturing orders.

BEGIN INVENTORY. The quantity of the item that was on hand at the beginning of the current period or month.

SAFETY STOCK. A numeric value giving the quantity you want to use as the minimum quantity on hand to deal with fluctuations in demand and deliveries. Quantity entered must be in terms of the stocking unit of measure. This field can be updated optionally by the Forecasting application if it is installed and interfacing.

ORDER POINT. A numeric value that will be used rather than the system-calculated order point. Quantity entered must be in terms of the stocking unit of measure. If this value is 0 (zero), the system calculates an order point whenever the reorder report is run and compares it to the item's availability. If the availability is less than the order point, an order will be suggested. Forecasting, if it is installed and interfacing, can optionally calculate this quantity each period.

FIXED ORDER QTY. A numeric value that will be used with Item Master order policy codes B, C, D, and H to recommend an order quantity. Quantity entered must be in terms of the stocking unit of measure.

REQ PLAN ACTIVITY. Indicates if activity for this item was generated by the order entry function as a signal for requirements planning.

- 0 No activity
- 1 Activity
- 2 Planning exception

CYCLE CNT ACTIVITY.

- 1 Item has been selected for physical count, but has not yet been counted
- blank Items not selected

CYCLE COUNT CODE. One of the following numeric values, used to determine the frequency of cycle counting:

- 0 No cycle count (default value)
- 1 Monthly
- 2 Quarterly
- 3 Semiannually
- 4 On demand (on date of next count; see below).

CYCLE CNT TRANS ACT. Number of transactions processed against this item since last physical count.

CYCLE CNT COMPARE. A numeric value used to determine frequency of cycle counting based on the number of transactions processed for this item since the last cycle count. The default value is 0 (zero), which means do not select for cycle counting on this basis. This field can be used in conjunction with the cycle count code. For example, if the cycle count code is 2 and the Transaction Compare value is 40, the item will be selected for cycle counting at least every three months, but

may be selected earlier if 40 or more transactions are processed for the item before three months have passed.

LAST PHY/CY INV DATE. Used with cycle count codes 1, 2, and 3 to select items for cycle counting. This date is automatically updated by every count transaction.

DATE FOR NEXT CY CNT. A numeric value that is used with cycle count code 4 to select items for cycle counting. The default is 999999. The due date of replenishment orders is automatically placed into this field if it contains 999999, so that the item can be selected for cycle counting just prior to a receipt (when the quantity on hand is at its lowest point).

PRIMARY PRODUCTION LINE. The most frequently used production line. Entries are limited to active work center records flagged as production lines.

SCHEDULE GROUP. This is a user-defined code to group items together.

MST LVL FCST CD. The code used by MRP (if installed and interfacing) to indicate if the master level item is to be forecasted. This code applies only to forecasts propagated in MRP. The codes are:

- 0 Do not propagate forecast for this item.
- 1 Propagate forecast for this item.
- 2 Propagate requirements equal to forecast for this item.

NO OF PERIODS. The number of periods over which this item is to be forecasted in MRP. This field is used only if MRP is installed and interfacing, and applies only to forecasts generated in MRP.

DAYS/PERIOD. The number of days to be contained in each MRP forecast period. This field is used only if MRP is installed and interfacing, and applies only to forecasts generated in MRP.

FORECAST QTY. The forecast quantity per time period. This field is used by MRP (if installed and interfacing) to propagate forecast quantities when the Master Level Forecast Code is 1 or 2. It identifies the quantity of this item used in the forecast and ranges from 0 through 9,999,999. If FCST is installed and interfacing, this field should be zero. The default is zero.

FIRM TIME FENCE. The number of days during which orders can be placed and purchase can be committed. The number of days entered is added to the MRP current date to establish this fence. The established time fence is used with the auto release function. This field is used for standard purchase orders and for requisitions.

AUTH TIME FENCE (ATIM). The number of days during which orders can be intended and payment for vendor raw materials can be committed. The number of days entered is added to the MRP current date to establish this fence. The established time fence is used with the auto release function. This field is used for standard purchase orders and for requisitions.

RESCHEDULE FROZEN ZONE. Number of days within which production schedules will not be rescheduled, by item/warehouse.

RESOURCE NUMBER (RSCNO). The user-defined number used by MPSP (if installed and interfacing) to identify this item as a critical resource.

QTY SOLD MTD. Quantity of the item sold this period or month-to-date.

QTY SOLD YTD. Quantity of the item sold this year.

QTY ISSUED MTD. Quantity of the item issued this period or month-to-date.

QTY ISSUED YTD. Quantity of the item issued this year.

QTY RECEIVED MTD. Quantity of the item received this period or month-to-date.

QTY ADJ MTD. Sum of the adjustments (changes) made to the quantity of the item this period or month.

QTY USED MTD. Quantity of the item used this period or month-to-date. This includes both items sold and items removed from stock but not sold.

QTY USED YTD. Quantity of the item used this year. This includes both items sold and items removed from stock but not sold.

AVG PERIOD-END-BAL. This average is recalculated during each period-end file update run. If no value is entered, the average is set equal to the first non-zero on hand period-end balance.

PHY ON-HAND AT COUNT. Quantity on hand at time item is selected for physical count.

AVG SALES/PERIOD. A numeric value with two decimal places. This average is recalculated during each period-end file update run. If no value is entered, the average is set equal to the first non-zero period-to-date sales.

EST. ANNUAL USAGE. This average is recalculated during each period-end file update run. If no value is entered, the average is set equal to the annualized value of the first non-zero period-to-date usage.

DATE OF LAST ISSUE. Date this component item was last issued for the manufacturing order.

DATE LAST AFFECT QTY OH. Automatically updated by every transaction that changes the quantity on hand.

PURCHASE U/M. An alphanumeric value that can be used for items purchased at a different unit of measure than is used for issuing and stocking. For example, wire may be purchased in coils but issued in units of length, such as meters. This field is used with the unit of measure conversion factor when printing the Reorder Report and the Purchase Order Status Report and can be used in purchase receipt transactions.

PUR U/M CNV. A numeric value with two decimal places that is used to convert quantities from purchase unit of measure to issuing and stocking unit of measure. For example, if wire that is issued in meters is purchased by the coil with each coil containing 250 meters, then the unit of measure conversion factor is 250.00. If bolts are issued individually but purchased by the box with each box containing 75 bolts, then enter 75.00 for the unit of measure conversion factor. The default value is 1.00.

SMOOTHING CODE. A code used to indicate whether the MRP demand smoothing algorithm is used to spread production evenly for the net demand and how it should be applied. This code can be overridden by the smoothing start date. It only appears if the **SCHEDULE CONTROL** field contains Y.

- blank** No smoothing. This is the default.
1 Use the system date, plus one work day.
2 Use the first net demand date.

If you update the smoothing code, the requirements planning modification flag (RPFLD) is set to 1.

SMOOTHING START DATE. A code used to indicate when demand smoothing begins for an item and warehouse combination. It only appears if the SCHEDULE CONTROL field contains Y.

LOT SIZING CODE. A code used to indicate whether an item can have multiple schedules per day (lots) automatically created within REP.

- Y** Lot size for this item.
N Do not lot size for this item. This is the default.

MINIMUM QTY. The minimum order quantity of the item. Any planned order generated by MRP and MPSP that is for a quantity less than the minimum indicated is increased to this minimum number. This field is used only by MRP and MPSP (if installed and interfacing).

MAXIMUM QTY. The maximum planned order quantity. If the planned order quantity generated by MRP or MPSP exceeds this maximum, an exception is created to notify the planner, who may want to adjust the order quantity. This field is used only by MRP and MPSP (if installed and interfacing).

MULTIPLE QTY. The factor used by MRP and MPSP (if installed and interfacing) to increase a planned order to a multiple of this quantity. For example, if the planned order was originally for a quantity of 16 and the multiple quantity factor was 20, the planned order would be increased to 320. If the original quantity was 35, the planned order would be increased to 700. This field is used only by MRP and MPSP (if installed and interfacing).

MPS PLANNING SOURCE CODE. The code used by MPSP (if installed and interfacing) to indicate the kind of demand used for generating the master production schedule for this item. The codes are:

- blank** Not used in MPS planning
B Blended demand (the greater of forecasted demand or customer orders)
C Customer orders only
D Blended demand, do not combine customer orders
E Customer orders only, not combined
F Forecasts only
M Manually entered firm planned orders
P Item production plan

Codes D and E correspond to B and C except the demand records are kept separately by customer order. Codes B and C combine customer orders for the same item into a single demand quantity. Codes D and E facilitate the tracking of source of demand information by customer order.

DAYS SUPPLY. The number of days of supply that one order provides.

If MPSP is installed and interfacing, and the item is a master scheduled item with a MPS planning source code of P (production plan), this code sets the intervals for ordering this item. The codes are:

- 1 Once a week
- 2 Two times per production planning period
- 3 One time per production planning period
- 4 One time per work day.

This field is used only by MRP and MPSP (if installed and interfacing) if the order policy code is G for this item.

DEMAND TIME FENCE (DMDFN). The number of days that are used by MPSP (if installed and interfacing) as a frozen planning zone in the MPSP master production schedule for this item. During this period, blended demand does not include forecasts until the periods after the fence date, and only customer orders are considered as demand. Any changes to the production schedule during the frozen period should be avoided because they can seriously affect production schedules. This number of days can equal the final assembly lead time (FALT) for this item. The system uses this number to calculate the demand time fence date in the master production schedule for this item.

MIN DAYS TO RESCHEDULE. Specifies the minimum number of days that an order can move in order for it to be rescheduled automatically by the system.

RESOURCE PROFILE BUILD CODE (RSCBF). The code used by MPSP (if installed and interfacing) to indicate which items or production families can have resource profiles generated. The available codes are:

- Y Build profile
- N Do not build profile.

STD UNIT COST. A numeric value with four decimal places. The default value is the unit cost default field in the Item Master file record. This field is also referred to as standard cost and can be changed by a Standard Cost Replace transaction (CS).

AVG UNIT COST. A numeric value with four decimal places. The default value is the unit cost default field in the Item Master file record. This field is calculated for each costed receipt transaction and cost adjustment transaction.

LAST UNIT COST. A numeric value with four decimal places. The default value is the unit cost default field in the Item Master file record. This field is calculated for each costed receipt transaction and cost adjustment transaction.

COST DEV. CODE. Used to determine when the new unit cost of an item varies significantly from its previous cost. It is set during transaction processing and reset during stock status update.

- 0 Cost within limits
- 1 Cost exceeds limits

USAGE COST MTD. The period or month-to-date usage cost for this item. This includes both the cost of items sold and the cost of items removed from stock but not sold.

USAGE COST YTD. The year-to-date usage cost for this item. This includes both the cost of items sold and the cost of items removed from stock but not sold.

SALES COST MTD. The period or month-to-date sales cost for the item.

SALES COST YTD. The year-to-date sales cost for the item.

SALES AMT PTD. The period or month-to-date amount of sales for the item.

QUANTITY SOLD SINCE PLAN. The total quantity sold for a particular item as of the last planning run.

SALES AMOUNT YTD. The year-to-date amount of sales for the item.

DATE LAST MAINTAINED. The date this Item Master record was last maintained. This field appears on Change, Delete and Set Defaults displays.

DATE OF LAST SALE. Automatically updated by every Sales Shipment transaction (SA).

DATE OF LAST USAGE. Automatically updated by every issue and sales transaction.

INCLUDE INVENTORY BALANCE. The values for this field are:

- 1** Yes. Include inventory balance of this item/warehouse in MRP planning runs.
- 0** No. Do not include inventory balance of this item/warehouse in MRP planning runs.

MASTER SCHEDULE ITEM CODE (MSCOD). The code used by MPSP (if installed and interfacing) to indicate if this item is a master scheduled item. If the code is M, MPSP plans orders for the item and ignores any requirements generated or entered for it in MRP. MRP uses the orders created by MPSP during the MRP planning run, based on a run-time option in MRP. The available codes are:

- blank** Not a master scheduled item
- M** Master scheduled item
- P** Production family

If the code is blank, FCST (if installed and interfacing) loads requirements for master level item codes M and S to MRP. If the code is M, FCST loads requirements for master level items to MPSP.

If the code is M, all item type codes are valid, except for F (Feature) or 0 (Phantom). If the code is P, the only valid master level item code is blank and the only valid item type code is 0 (Phantom). Refer to display AMVT02 for a definition of the item type codes.

CONTAINER DESCRIPTION. A user-defined code or abbreviation that describes the container in which items are moved to and from the production line.

QUANTITY PER CONTAINER. The number of items that fit in the container used for priming the production line. This field is required if the **SCHEDULE CONTROL** field value is Y. The default is 1.

COMBINE REQUIREMENTS CODE. The code used by MRP (if installed and interfacing) to indicate if requirements for this item are to be combined during the MRP Requirements Planning run. You are not able to use the pegged-to-requirements function for any items that have combined requirements.

The four combine interval sizes and the five price break literals are defined on MRP Period Interval display, AMM120. Codes 5 through 9 (price break literals) combine requirements according to the fourth period interval.

The price break literals refer to the price break unit of measure constants printed on the MRP Purchase Planning report. The codes are:

- 0** Do not combine requirements
- 1** Combine interval 1
- 2** Combine interval 2
- 3** Combine interval 3
- 4** Combine interval 4
- 5** Price break literal 5
- 6** Price break literal 6
- 7** Price break literal 7
- 8** Price break literal 8
- 9** Price break literal 9.

AUTO RELEASE CODE. A code used to define the conditions under which purchase orders or requisitions for this item can be automatically released. The codes are:

- 0** Do not automatically release requisitions or purchase orders.
- 1** Automatically release requisitions without generating a purchase order.
- 2** Automatically release held single purchase orders if the planned order is within the FIRM horizon. The hold from print code must be manually removed in Purchasing before the purchase order is available for printing.
- 3** Automatically release single purchase orders if the planned order is within the FIRM horizon. The purchase orders are available for automatic selection during the purchase order print process. No manual intervention is required.
- 4** Automatically release held blanket purchase orders if the planned order is within the FIRM or AUTHORIZED horizon. The hold from print code must be manually removed in Purchasing before the purchase order is available for printing.
- 5** Automatically release blanket purchase orders if the planned order is within the FIRM or AUTHORIZED horizon. The purchase orders are available for automatic selection during the purchase order print process.
- 6** Held fixed blanket required; must exist if the planned order is within the FIRM or AUTHORIZED horizon. The hold from print code must be manually removed in Purchasing before the purchase order is available for printing.
- 7** Fixed blanket required; must exist if the planned order is within the FIRM or AUTHORIZED horizon. The purchase orders are available for automatic selection during the purchase order print process.

CONTRACT REQUIRED CODE. A code to indicate whether a contract is required to auto release items in this warehouse. This code serves as an override to the value set up on the Planning Run Executions Options display (AMM151), which is at the warehouse level.

- 0 Default to value of this field at warehouse level.
- 1 Contract required, This is the default
- 2 No contract is required. If an expired contract is present, an error message is issued, and auto release does not occur.
- 3 No contract is required. If an expired contract is present, a warning message is issued, and auto release occurs.
- 4 No contract is required. Any contracts are ignored.

SHRINKAGE. The value used by MRP and MPSP (if installed and interfacing) as a multiplier to adjust gross requirements not covered by on-hand quantity to reflect expected material losses.

PRBRK CONV FACTOR. The factor used by MRP (if installed and interfacing) to convert planning units to purchase units. The factor is described by the price break literal assigned to this item (see "COMBINE REQUIREMENTS CODE").

PLAN CUSTOMER ORDER CODE (CTPO). The codes for this field are:

- 1 Create planned orders equal to all customer orders that fall after the MRP current date.
- 2 Create planned orders for all orders that fall after the release date.
- 3 Create planned orders for all orders that fall after the review date.
- 4 Do not create any planned orders.
- 5 Create planned orders equal to all customer orders that fall after MRP start date.

PLAN EXPECTED ORDER CODE (ETPO). The codes for this field are:

- 0 Do not use expected customer orders in planning.
- A Use only type A (Make) expected customer orders in planning.
- B Use type A (Make) and type B (Buy) expected customer orders in planning.
- C Use type A (Make), type B (Buy), and type C (Firm) expected customer orders in planning.
- D Use type A (Make), type B (Buy), type C (Firm), and type D (Plan) expected customer orders in planning.

PLANNING PROFILE ID. The user-defined purchase planning profile identifier that was created in MRP for this vendor or item/warehouse. This is used to support the ANSI 830 Planning Schedule (EDIFACT DELFOR) transaction with EC, but you can use it without EC to simply print planning schedules.

PRODUCTION FAMILY PLANNER (PFPLN). The user-defined number you have assigned that identifies the person responsible for planning the replenishment strategy for these production families.

Item Balance Edit Error List—AMK11

EFL SYSTEM TEST		ITEM BALANCE FILE OFFLINE EDIT LIST		DATE **/**/**	TIME 11.14.32	PAGE 1	AMK11
ITEM DREW	WAREHOUSE 1	INVENTORY	TEST	OPER D1	PLANNER	CLASS	STOCK LOC
***** BEFORE *****	CHANGE						VENDOR
ACTIVITY CODE	A QUANTITY ON HAND	5.000	ON-ORDER PROD QTY	20.000	USAGE COST PTD		.00
FLOOR STOCK CODE	SAFETY STOCK	.000	ON-ORDER PUR QTY	20.000	SALES COST PTD		.00
LEAD TIME CODE	M ORDER POINT	.000	ALLOCATED QTY	5.000	SALES AMT PTD		.00
LEAD TIME MFG STD	.0 FIXED ORDER QTY	.000	PICK LIST REQMENTS	5.000	USAGE COST YTD		.00
LEAD TIME MFG VAR	.0 PURCHASE U/M		EA BEGINNING INV	5.000	SALES COST YTD		.00
LEAD TIME MFG ADJ	.0 U/M CONV	1.00000	QTY SOLD PTD	5.000	SALES AMT YTD		.00
LEAD TIME MFG AVG	.0 DATE LAST AFFECT QTYOH	0/00/00	QTY ISSUED PTD	5.000	AVG SALES/PERIOD		.00
LEAD TIME MFG CUM	.0 DATE OF LAST SALE	0/00/00	QTY RECEIVED	5.000	AVG PRD-END-BAL		.00
LEAD TIME PUR VEN	.0 DATE OF LAST USAGE	0/00/00	QTY ADJ PTD	5.000	EST. ANNUAL USAGE		.000
LEAD TIME PUR SAF	.0 DATE LAST ACTIV ISSUED	0/00/00	QTY USED PTD	5.000	STANDARD COST		.0000000
LEAD TIME PUR REV	.0 DATE NEXT CYCLE COUNT	99/99/99	QTY SOLD YTD	5.000			
LEAD TIME PUR STD	.0 CYCLE COUNT CODE	0	QTY ISSUED YTD	5.000	DATE LAST MAINT		8/20/**
LEAD TIME PUR ADJ	0 CYCLE COUNT COMPARE	0	QTY USED YTD	5.000	INCLUDE INVENTORY BALANCE		
LEAD TIME PUR AVG	MATERIAL CMLT		FORECAST QTY	0	MASTER LEVEL ITEM CODE		
	MPS PLANNING SOURCE CODE	P	MINIMUM QTY	5.000	ORDER POLICY CODE		G
	DAYS SUPPLY	3	MAXIMUM QTY	10.000	MASTER LEVEL PRINT CODE		
	MST LVL FCST CD	0	MULTIPLE QTY	5.000	MAX # LINES/ITEM		
	NO OF PERIODS	4	SHRINKAGE	.000	PERIOD INTERVAL CODE		0
	DAYS/PERIOD		PRBRK CONV FACTOR	.0000	COMBINE REQUIREMENTS CODE		0
ITEM ACCOUNTING CLASS	1 FIRM TIME FENCE	0	AUTO RELEASE CODE	0	PLAN CUSTOMER ORDER CODE		4
ITEM RESCHEDULE CODE	0 AUTH TIME FENCE	0	RESCHEDULE FROZEN ZONE	0	MIN DAYS TO RESCHEDULE		0
SCHEDULE CONTROL	0 LOT SIZING CODE	0	SMOOTHING CODE		PRIMARY PRODUCTION LINE		PLPL1
EXTRACT SOURCE CODE			CONTAINER DESCRIPTION		MASTER SCHEDULE ITEM CODE		
CARRY FORWARD CODE	0 SCHEDULE GROUP		QTY PER CONTAINER	1.000			
CONTRACT REQUIRED CODE	0 PLANNING PROFILE ID		PLAN EXPECTED ORDER CODE	A	RESOURCE NUMBER		12345
FORECASTING CODE	0 DEMAND TIME FENCE		PRODUCTION FAMILY PLANNER		RESOURCE PROFILE BLD CODE		
BACKFLUSH CODE	1						
***** AFTER *****	CHANGE			CLASS	STOCK LOC		
VENDOR							
ACTIVITY CODE	A QUANTITY ON HAND	5.000	ON-ORDER PROD QTY	20.000	USAGE COST PTD		.00
FLOOR STOCK CODE	SAFETY STOCK	.000	ON-ORDER PUR QTY	20.000	SALES COST PTD		.00
LEAD TIME CODE	3 ORDER POINT	.000	ALLOCATED QTY	3.000	SALES AMT PTD		.00
LEAD TIME MFG STD	.3 FIXED ORDER QTY	.000	PICK LIST REQMENTS	5.000	USAGE COST YTD		5.00
LEAD TIME MFG VAR	.0 PURCHASE U/M		EA BEGINNING INV	5.000	SALES COST YTD		.00
LEAD TIME MFG ADJ	.3 U/M CONV	1.00000	QTY SOLD PTD	5.000	SALES AMT YTD		.00
LEAD TIME MFG AVG	.0 DATE LAST AFFECT QTYOH	0/00/00	QTY ISSUED PTD	5.000	AVG SALES/PERIOD		.00
LEAD TIME MFG CUM	.0 DATE OF LAST SALE	0/00/00	QTY RECEIVED	5.000	AVG PRD-END-BAL		.00
LEAD TIME PUR REV	.0 DATE NEXT CYCLE COUNT	99/99/99	QTY SOLD YTD	5.000			
LEAD TIME PUR STD	.0 CYCLE COUNT CODE	0	QTY ISSUED YTD	5.000	DATE LAST MAINT		8/20/**
LEAD TIME PUR ADJ	0 CYCLE COUNT COMPARE	0	QTY USED YTD	5.000	INCLUDE INVENTORY BALANCE		
LEAD TIME PUR AVG	MATERIAL CMLT		FORECAST QTY	0	MASTER LEVEL ITEM CODE		
	MPS PLANNING SOURCE CODE	P	MINIMUM QTY	5.000	ORDER POLICY CODE		G
	DAYS SUPPLY	3	MAXIMUM QTY	10.000	MASTER LEVEL PRINT CODE		
	MST LVL FCST CD	0	MULTIPLE QTY	5.000	MAX # LINES/ITEM		
	NO OF PERIODS	4	SHRINKAGE	.000	PERIOD INTERVAL CODE		0
	DAYS/PERIODS		PRBRK CONV FACTOR	.0000	COMBINE REQUIREMENTS CODE		0
ITEM ACCOUNTING CLASS	1 FIRM TIME FENCE	0	AUTO RELEASE CODE	0	PLAN CUSTOMER ORDER CODE		4
ITEM RESCHEDULE CODE	0 AUTH TIME FENCE	0	RESCHEDULE FROZEN ZONE	0	MIN DAYS TO RESCHEDULE		0
SCHEDULE CONTROL	0 LOT SIZING CODE	0	SMOOTHING CODE		PRIMARY PRODUCTION LINE		PLPL1
EXTRACT SOURCE CODE			CONTAINER DESCRIPTION		MASTER SCHEDULE ITEM CODE		
CARRY FORWARD CODE	0 SCHEDULE GROUP		QTY PER CONTAINER	1.000	MASTER SCHEDULE ITEM CODE		
CONTRACT REQUIRED CODE	0 PLANNING PROFILE ID		PLAN EXPECTED ORDER CODE	A	RESOURCE NUMBER		12345
FORECASTING CODE	0 DEMAND TIME FENCE		PRODUCTION FAMILY PLANNER		RESOURCE PROFILE BLD CODE		
BACKFLUSH CODE	1						

EFL SYSTEM TEST	ITEM BALANCE	FILE OFFLINE	EDIT LIST	DATE **/**/**	TIME 11.14.32	PAGE 3	AMK11
				OPER D1			
	GOOD RECORDS	ERROR RECORDS	TOTAL RECORDS				
ADD TRANSACTIONS	0	0	0				
CHANGE TRANSACTIONS	0	1	1				
DELETE TRANSACTIONS	0	0	0				
SUSPEND TRANSACTIONS	0	0	0				
REACTIVATE TRANSACTIONS	0	0	0				

To print this report use option 9 or 10 on the Cross Application Support (CAS) AMZM81 menu. It also is printed when you select option 2 on the Offline Maintenance Options menu (AMIM7E).

For a description of the fields on this report, see "Item Balance File List (AMI2T)".

Item Balance File Offline Edit List (AMK11)

EFL SYSTEM TEST	ITEM BALANCE FILE OFFLINE EDIT LIST				DATE **/**/**	TIME 11.14.32	PAGE	1	AMK11
ITEM DREW	WAREHOUSE 1	INVENTORY	TEST		OPER D1				
***** BEFORE *****	CHANGE				PLANNER				
ACTIVITY CODE	A QUANTITY ON HAND	5.000	ON-ORDER PROD QTY	20.000	USAGE COST PTD				.00
FLOOR STOCK CODE	SAFETY STOCK	.000	ON-ORDER PUR QTY	20.000	SALES COST PTD				.00
LEAD TIME CODE	M ORDER POINT	.000	ALLOCATED QTY	5.000	SALES AMT PTD				.00
LEAD TIME MFG STD	.0 FIXED ORDER QTY	.000	PICK LIST REQMTS	5.000	USAGE COST YTD				
LEAD TIME MFG VAR	.0 PURCHASE U/M		EA BEGINNING INV	5.000	SALES COST YTD				.00
LEAD TIME MFG ADJ	.0 U/M CONV	1.00000	QTY SOLD PTD	5.000	SALES AMT YTD				.00
LEAD TIME MFG AVG	.0 DATE LAST AFFECT QTYOH	0/00/00	QTY ISSUED PTD	5.000	AVG SALES/PERIOD				.00
LEAD TIME MFG CUM	.0 DATE OF LAST SALE	0/00/00	QTY RECEIVED	5.000	AVG PRD-END-BAL				.00
LEAD TIME PUR VEN	.0 DATE OF LAST USAGE	0/00/00	QTY ADJ PTD	5.000	EST. ANNUAL USAGE				.000
LEAD TIME PUR SAF	.0 DATE LAST ACTIV ISSUED	0/00/00	QTY USED PTD	5.000	STANDARD COST				.0000000
LEAD TIME PUR REV	.0 DATE NEXT CYCLE COUNT	99/99/99	QTY SOLD YTD	5.000					
LEAD TIME PUR STD	.0 CYCLE COUNT CODE	0	QTY ISSUED YTD	5.000	DATE LAST MAINT				8/20/**
LEAD TIME PUR ADJ	0 CYCLE COUNT COMPARE	0	QTY USED YTD	5.000	INCLUDE INVENTORY BALANCE				
LEAD TIME PUR AVG	MATERIAL CMLT		FORECAST QTY	0	MASTER LEVEL ITEM CODE				
	MPS PLANNING SOURCE CODE	P	MINIMUM QTY	5.000	ORDER POLICY CODE				G
	DAYS SUPPLY	3	MAXIMUM QTY	10.000	MASTER LEVEL PRINT CODE				
	MST LVL FCST CD	0	MULTIPLE QTY	5.000	MAX # LINES/ITEM				
	NO OF PERIODS	4	SHRINKAGE	.000	PERIOD INTERVAL CODE				0
	DAYS/PERIOD		PRBRK CONV FACTOR	.0000	COMBINE REQUIREMENTS CODE				0
ITEM ACCOUNTING CLASS	1 FIRM TIME FENCE	0	AUTO RELEASE CODE	0	PLAN CUSTOMER ORDER CODE				4
ITEM RESCHEDULE CODE	0 AUTH TIME FENCE	0	RESCHEDULE FROZEN ZONE	0	MIN DAYS TO RESCHEDULE				0
SCHEDULE CONTROL	0 LOT SIZING CODE	0	SMOOTHING CODE		PRIMARY PRODUCTION LINE				PLPL1
EXTRACT SOURCE CODE			CONTAINER DESCRIPTION		MASTER SCHEDULE ITEM CODE				
CARRY FORWARD CODE	0 SCHEDULE GROUP		QTY PER CONTAINER	1.000					
CONTRACT REQUIRED CODE	0 PLANNING PROFILE ID		PLAN EXPECTED ORDER CODE	A	RESOURCE NUMBER				12345
FORECASTING CODE	0 DEMAND TIME FENCE		PRODUCTION FAMILY PLANNER		RESOURCE PROFILE BLD CODE				
BACKFLUSH CODE	1								
***** AFTER *****	CHANGE				CLASS				STOCK LOC
VENDOR									
ACTIVITY CODE	A QUANTITY ON HAND	5.000	ON-ORDER PROD QTY	20.000	USAGE COST PTD				.00
FLOOR STOCK CODE	SAFETY STOCK	.000	ON-ORDER PUR QTY	20.000	SALES COST PTD				.00
LEAD TIME CODE	3 ORDER POINT	.000	ALLOCATED QTY	3.000	SALES AMT PTD				.00
LEAD TIME MFG STD	.3 FIXED ORDER QTY	.000	PICK LIST REQMTS	5.000	USAGE COST YTD				5.00
LEAD TIME MFG VAR	.0 PURCHASE U/M		EA BEGINNING INV	5.000	SALES COST YTD				.00
LEAD TIME MFG ADJ	.3 U/M CONV	1.00000	QTY SOLD PTD	5.000	SALES AMT YTD				.00
LEAD TIME MFG AVG	.0 DATE LAST AFFECT QTYOH	0/00/00	QTY ISSUED PTD	5.000	AVG SALES/PERIOD				.00
LEAD TIME MFG CUM	.0 DATE OF LAST SALE	0/00/00	QTY RECEIVED	5.000	AVG PRD-END-BAL				.00
LEAD TIME PUR REV	.0 DATE NEXT CYCLE COUNT	99/99/99	QTY SOLD YTD	5.000					
LEAD TIME PUR STD	.0 CYCLE COUNT CODE	0	QTY ISSUED YTD	5.000	DATE LAST MAINT				8/20/**
LEAD TIME PUR ADJ	0 CYCLE COUNT COMPARE	0	QTY USED YTD	5.000	INCLUDE INVENTORY BALANCE				
LEAD TIME PUR AVG	MATERIAL CMLT		FORECAST QTY	0	MASTER LEVEL ITEM CODE				
	MPS PLANNING SOURCE CODE	P	MINIMUM QTY	5.000	ORDER POLICY CODE				G
	DAYS SUPPLY	3	MAXIMUM QTY	10.000	MASTER LEVEL PRINT CODE				
	MST LVL FCST CD	0	MULTIPLE QTY	5.000	MAX # LINES/ITEM				
	NO OF PERIODS	4	SHRINKAGE	.000	PERIOD INTERVAL CODE				0
	DAYS/PERIODS	0	PRBRK CONV FACTOR	.0000	COMBINE REQUIREMENTS CODE				0
ITEM ACCOUNTING CLASS	1 FIRM TIME FENCE	0	AUTO RELEASE CODE	0	PLAN CUSTOMER ORDER CODE				4
ITEM RESCHEDULE CODE	0 AUTH TIME FENCE	0	RESCHEDULE FROZEN ZONE	0	MIN DAYS TO RESCHEDULE				0
SCHEDULE CONTROL	0 LOT SIZING CODE	0	SMOOTHING CODE		PRIMARY PRODUCTION LINE				PLPL1
EXTRACT SOURCE CODE			CONTAINER DESCRIPTION		MASTER SCHEDULE ITEM CODE				
CARRY FORWARD CODE	0 SCHEDULE GROUP		QTY PER CONTAINER	1.000	MASTER SCHEDULE ITEM CODE				
CONTRACT REQUIRED CODE	0 PLANNING PROFILE ID		PLAN EXPECTED ORDER CODE	A	RESOURCE NUMBER				12345
FORECASTING CODE	0 DEMAND TIME FENCE		PRODUCTION FAMILY PLANNER		RESOURCE PROFILE BLD CODE				
BACKFLUSH CODE	1								
EFL SYSTEM TEST	ITEM BALANCE FILE OFFLINE EDIT LIST				DATE **/**/**	TIME 11.14.32	PAGE	3	AMK11
	GOOD RECORDS	ERROR RECORDS	TOTAL RECORDS	OPER D1					
ADD TRANSACTIONS	0	0	0						
CHANGE TRANSACTIONS	0	1	1						
DELETE TRANSACTIONS	0	0	0						
SUSPEND TRANSACTIONS	0	0	0						
REACTIVATE TRANSACTIONS	0	0	0						

Contents	Index	Exit
--------------------------	-----------------------	----------------------

To print this report use option 9 or 10 on the Cross Application Support (CAS) AMZM81 menu. It also is printed when you select option 2 on the Offline Maintenance Options menu (AMIM7E).

For a description of the fields on this report, see "Item Balance File List (AMI2T)".

Item Balance File Maintenance Edit List (AMI7A)

BELLAMY BICYCLES				ITEM BALANCE FILE MAINTENANCE EDIT LIST	DATE 5/14/**	TIME 11.32.17	PAGE 1	AMI7A
				OPER A1	UPDATE# 159			
ITEM 03424	WAREHOUSE ATL	INVENTORY	TREADLE ASSEMBLY	PLANNER 902	CHANGE			
***** BEFORE *****				CLASS 20	STOCK LOC	A104	VENDOR	
ACTIVITY CODE	A	QUANTITY ON HAND	948.000 ON-ORDER PROD QTY	.000	USAGE COST PTD			.00
FLOOR STOCK CODE		SAFETY STOCK	4.000 ON-ORDER PUR QTY	.000	SALES COST PTD			.00
LEAD TIME CODE	M	ORDER POINT	.000 ALLOCATED QTY	.000	SALES AMT PTD			.00
LEAD TIME MFG STD	6.0	FIXED ORDER QTY	.000 PICK LIST REQMTS	.000	USAGE COST YTD			4,178.59
LEAD TIME MFG VAR	.0	PURCHASE U/M	EA BEGINNING INV	170.000	SALES COST YTD			7,716.00
LEAD TIME MFG ADJ	1.0	U/M CONV	1.00000 QTY SOLD PTD	.000	SALES AMT YTD			.00
LEAD TIME MFG AVG	5.0	DATE LAST AFFECT QTYOH	9/30/** QTY ISSUED PTD	.000	AVG SALES/PERIOD			.00
CMLT MFG	.0	DATE OF LAST SALE	0/00/** QTY RECEIVED	.000	AVG PRD-END-BAL			555.33
LEAD TIME PUR VEN	.0	DATE OF LAST USAGE	8/15/** QTY ADJ PTD	.000	EST. ANNUAL USAGE			2,001.81
LEAD TIME PUR SAF	.0	DATE LAST ACTIV ISSUED	8/15/** QTY USED PTD	.000	STANDARD COST			.00000000
LEAD TIME PUR REV	.0	DATE NEXT CYCLE CNT	99/99/99 QTY SOLD YTD	.000				
LEAD TIME PUR STD	.0	CYCLE COUNT CODE	0 QTY ISSUED YTD	865.000	DATE LAST MAINT			9/30/**
LEAD TIME PUR ADJ	0	CYCLE CNT COMPARE	1,000,000 QTY USED YTD	865.000	INCLUDE INVENTORY BALANCE			1
LEAD TIME PUR AVG		CMLT MTL	FORECAST QTY	1500	MASTER LEVEL ITEM CODE			
		MPS PLANNING SOURCE CODE	MINIMUM QTY	10.000	ORDER POLICY CODE			
		DAYS SUPPLY	10 MAXIMUM QTY	20.000	MASTER LEVEL PRINT CODE			S
		MST LVL FCST CD	2 MULTIPLE QTY	20.000	MAX # LINES/ITEM			A
		NO OF PERIODS	02 SHRINKAGE	.000	PERIOD INTERVAL CODE			0
		DAYS/PERIODS	30 PRBRK CONV FACTOR	.0000	COMBINE REQUIREMENTS CODE			0
ITM ACTG CLS	D03	FIRM TIME FENCE	000 AUTO RELEASE CODE	0	PLAN CUSTOMER ORDER CODE			4
ITEM RESCHEDULE CODE	0	AUTH TIME FENCE	1 RESCHEDULE FROZEN ZONE	0	MIN DAYS TO RESCHEDULE			0
SCHEDULE CONTROL	N	LOT SIZING CODE	N SMOOTHING CODE		PRIMARY PRODUCTION LINE			PLPL1
EXTRACT SOURCE CODE			CONTAINER DESCRIPTION					
CARRY FORWARD CODE	0	SCHEDULE GROUP	QTY PER CONTAINER					
***** AFTER *****				PLANNER 12902	CHANGE			
				CLASS 2001	STOCK LOC	A10124A	VENDOR	
ACTIVITY CODE	A	QUANTITY ON HAND	948.000 ON-ORDER PROD QTY		USAGE COST PTD			.00
FLOOR STOCK CODE		SAFETY STOCK	4.000 ON-ORDER PUR QTY	.000	SALES COST PTD			.00
LEAD TIME CODE	M	ORDER POINT	50.000 ALLOCATED QTY	.000	SALES AMT PTD			.00
LEAD TIME MFG STD	6.0	FIXED ORDER QTY	.000 PICK LIST REQMTS	.000	USAGE COST YTD			4,178.59
LEAD TIME MFG VAR	.0	PURCHASE U/M	EA BEGINNING INV	948.000	SALES COST YTD			.00
LEAD TIME MFG ADJ	1.0	U/M CONV	1.00000 QTY SOLD PTD	.000	SALES AMT YTD			350.00
LEAD TIME MFG AVG	5.0	DATE LAST AFFECT QTYOH	9/30/** QTY ISSUED PTD	.000	AVG SALES/MONTH			16.88
LEAD TIME MFG CUM	.0	DATE OF LAST SALE	0/00/** QTY RECEIVED	.000	AVG PRD-END-BAL			555.33
LEAD TIME PUR VEN	.0	DATE OF LAST USAGE	8/15/** QTY ADJ PTD	.000	EST. ANNUAL USAGE			2,001.81
LEAD TIME PUR SAF	.0	DATE LAST ACTIV ISSUED	8/15/** QTY USED PTD	.000	STANDARD COST			.00000000
LEAD TIME PUR REV	.0	DATE NEXT CYCLE CNT	99/99/99 QTY SOLD YTD	.000				
LEAD TIME PUR STD	.0	CYCLE COUNT CODE	0 QTY ISSUED YTD	865.000	DATE LAST MAINT			9/30/**
LEAD TIME PUR ADJ	0	CYCLE CNT COMPARE	1,000,000 QTY USED YTD	865.000	INCLUDE INVENTORY BALANCE			1
LEAD TIME PUR AVG		MATERIAL CMLT	FORECAST QTY	1500	MASTER LEVEL ITEM CODE			
		MPS PLANNING SOURCE CODE	MINIMUM QTY	10.000	ORDER POLICY CODE			
		DAYS SUPPLY	10 MAXIMUM QTY	20.000	MASTER LEVEL PRINT CODE			S
		MST LVL FCST CD	2 MULTIPLE QTY	20.000	MAX # LINES/ITEM			A
		NO OF PERIODS	02 SHRINKAGE	.000	PERIOD INTERVAL CODE			0
		DAYS/PERIODS	30 PRBRK CONV FACTOR	.0000	COMBINE REQUIREMENTS CODE			0
ITM ACTG CLS	D03	FIRM TIME FENCE	000 AUTO RELEASE CODE	0	PLAN CUSTOMER ORDER CODE			4
ITEM RESCHEDULE CODE	0	AUTH TIME FENCE	1 RESCHEDULE FROZEN ZONE	0	MIN DAYS TO RESCHEDULE			0
SCHEDULE CONTROL	N	LOT SIZING CODE	N SMOOTHING CODE		PRIMARY PRODUCTION LINE			PLPL1
EXTRACT SOURCE CODE			CONTAINER DESCRIPTION					
CARRY FORWARD CODE	0	SCHEDULE GROUP	QTY PER CONTAINER					
EFL SYSTEM TEST								
				ITEM BALANCE FILE MAINTENANCE EDIT LIST	DATE 5/14/**	TIME 11.32.17	PAGE 2	AMI7A
				OPER A1	UPDATE# 159			
NUMBER OF ADDED RECORDS			0					
NUMBER OF CHANGED RECORDS			1					
NUMBER OF DELETED RECORDS			0					
NUMBER OF SUSPENDED RECORDS			0					
NUMBER OF REACTIVATED RECORDS			0					

*** END OF PRINT ***

EFL SYSTEM TEST	ITEM BALANCE FILE MAINTENANCE EDIT LIST	DATE 5/14/**	TIME 11.32.17	PAGE 2	AMI7A
		OPER A1			UPDATE# 159
NUMBER OF ADDED RECORDS	2				
NUMBER OF CHANGED RECORDS	1				
NUMBER OF DELETED RECORDS	0				
NUMBER OF SUSPENDE RECORDS	0				
NUMBER OF REACTIVATED RECORDS	0				

*** END OF PRINT ***

The edit list is an audit trail of maintenance activity for added new or previously deleted records, changed fields in existing records, deleted existing records, suspended active records, and reactivated suspended records. The report shows all fields before and after maintenance for the CHANGE function .For a description of the fields on this report, see "Item Balance File List (AMI2T)".

Item Balance Load Audit Report (AMKI2)

GATEWAY MFG CO	ITEM BALANCE LOAD AUDIT LIST	DATE 7/24/**	TIME 11.18.43	PAGE 1	AMKI2
ITEM A123B	WAREHOUSE A	DESCRIPTION SMALL TEST ITEM	OPER S1	UPDATE# 58	
			CLASS 8207	STOCK LOC 7206877	VENDOR 338405
			QTY SOLD PTD	99,929,474.844	
			QTY SOLD YTD	3,742,704,684.454	STANDARD COST 17,277,378,488.58886887
LEAD TIME CODE M			QTY ISSUED PTD	6,933,777,873.602	AVERAGE COST 866.96607717
LEAD TIME MFG STD 899.9			QTY ISSUED YTD	1,998,410,799.859	LAST COST 5,958,756.65646362
LEAD TIME MFG VAR 933.3	QUANTITY ON-HAND	7,749,787.727	QTY REC PTD	6,831,045,463.566	USAGE COST PTD 7,177,277,377,477.57
LEAD TIME MFG ADJ 74.4	BEGINNING INVENTORY	9,919,295.396	QTY ADJ PTD	8,439,250,953.677	USAGE COST YTD 8,880,889,888,878.68
LEAD TIME MFG AVG 453.5	SAFETY STOCK	8,720,892.870	QTY USED PTD	9,482,502,535.182	SALES COST PTD 1,552,553,554,555.55
LEAD TIME MFG CUM 596.8	ORDER POINT	5,859,377.155	QTY USED YTD	5,995,577,195.058	SALES COST YTD
LEAD TIME PUR VEN 11.5	FIXED ORDER QTY	1,664,268.066	AVG PERIOD-END-BAL	398561026272.22	SALES AMT PTD 3,330,339,338,373.36
LEAD TIME PUR SAF 21.5	CYCLE COUNT CODE	2	AVG SALES/PERIOD	1111719476632.27	SALES AMT YTD
LEAD TIME PUR REV 231.7	CYCLE CNT COMPARE	5,805.057	EST. ANNUAL USAGE	5,825,750,391.650	DATE OF LAST SALE 12/18/**
LEAD TIME PUR STD 677.7	MATERIAL CMLT	992.3	DATE OF LAST ISSUE	12/16/**	DATE OF LAST USAGE 12/19/**
LEAD TIME PUR ADJ 48	FLOOR STOCK CODE	5	DATE LAST AFFECT QTYOH	12/20/**	
LEAD TIME PUR AVG 889.9	PURCHASE U/M	67	DATE FOR NEXT CY CNT	12/15/**	
ITM ACTG CLS	D03 U/M CONV	47,757.73828	SMOOTHING CODE	1	
	ITEM BALANCE SUMMARY	*			
	ITEM BALANCE RECORDS ADDED				1
	ITEM PLANNER RECORDS ADDED				1
	ITEM BALANCE/ITEM PLAN RECORDS REJECTED				0

*** END OF PRINT ***

To print this report, use option 10 on CAS File menu AMZM80, or use option 2 on the Offline Maintenance menu (AMIM7E), then select the Edit and update option.

The following Item Balance Load offline records are required for the Item Balance Load Audit List:

- LA
- LB
- LP
- LD
- LS
- LT
- LR (required only if REP is installed)
- LX

For a description of the fields on the report, see "Item Balance File List (AMI2T)".

Item Master File Maintenance (AMVT0)

NORTHCREEK IND.	ITEM MASTER FILE MAINTENANCE	DATE 7/01/**	TIME 15.29.34	PAGE 1	AMVT0
GENERAL INFORMATION (CHANGED - OLD VALUE)		OPER	UPDATE#		
ITEM NUMBER AMTPF0218	DESCRIPTION 18 CU FT	AMAXZA TOP FREEZER	ALTERNATE ITEM NUMBER	AMTPF0219	
ITEM TYPE CODE 4	ENG DRW	QC CONTROL 0	ITEM PRICE CLASS		
ITEM CLASS CI	STD BCH QTY 1.000	SHELF LIFE	SALES TAX IND	T00	
VALUE CLASS	S-NUMBER FLAG	BATCH/LOT CTL 0	COMMISSION PCT	.000	
INVENTORY CODE 01	LOW LEVEL 2	INSP ON RECEIPT 0	PRICE U/M		UNIT VOLUME
DEPARTMENT REP3	STD TOT CUM YLD 1.000	DISCRETE ALLOC 0			VOLUME U/M
ITM ACTG CLS AA1	CUR TOT CUM YLD 1.000	WARRANTY PER	UNIT WEIGHT .000		TAX COMM CODE TAXCOMM
CARRYING RATE .000	AVG TOT CUM YLD 1.000	WARRANTY PER U/M EA	WEIGHT U/M EA		TAX WGT/UNIT
COUNTRY OF ORIG USA	SINGLE LEVEL COMP'S	SERIAL NUM REQD 0	SPEC GRAVITY .0000		ORDER U/M CLASS EA
W/H STK LOC	DIRECT USAGES 1	PRT ON SALES ANL 0	PACKING CODE		ITEM SALES GROUP ABC
STOCKING U/M EA	ROUTING OPERATIONS	KIT DOC PRINT OPT 0	BILL/LAD COM CD	AZP	
STD SETUP COST/LOT	.00000000		SUPP WGT		RECORD MAINTENANCE:
UNIT COST DEFAULT	314.00000000	VENDR PRIMARY	SUPP WGT U/M EA		CREATED SCASEY 07/01/**
BASE PRICE	.000	PUR TAX IND	TAX CLASS		CHANGED DHARRIS 07/20/**
BASE PRICE EFFECTIVE DATE	6/30/**				
GENERAL INFORMATION (CHANGED - NEW VALUE)					
ITEM NUMBER AMTPF0218	DESCRIPTION 18 CU FT	AMAXZA TOP FREEZER	ALTERNATE ITEM NUMBER	AMTPF0219	
ITEM TYPE CODE 4	ENG DRW	QC CONTROL 0	ITEM PRICE CLASS		
ITEM CLASS CI	STD BCH QTY 1.000	SHELF LIFE	SALES TAX IND	T00	
VALUE CLASS	S-NUMBER FLAG	BATCH/LOT CTL 0	COMMISSION PCT	.000	
INVENTORY CODE 01	LOW LEVEL 2	INSP ON RECEIPT 0	PRICE U/M		UNIT VOLUME
DEPARTMENT REP3	STD TOT CUM YLD 1.000	DISCRETE ALLOC 0			VOLUME U/M
ITM ACTG CLS AA3	CUR TOT CUM YLD 1.000	WARRANTY PER 36	UNIT WEIGHT 300.000		TAX COMM CODE TAXCOMM
CARRYING RATE .000	AVG TOT CUM YLD 1.000	WARRANTY PER U/M MO	WEIGHT U/M LB		TAX WGT/UNIT
COUNTRY OF ORIG USA	SINGLE LEVEL COMP'S	SERIAL NUM REQD 0	SPEC GRAVITY .0000		ORDER U/M CLASS EA
W/H STK LOC	DIRECT USAGES 1	PRT ON SALES ANL 0	PACKING CODE		ITEM SALES GROUP DEF
STOCKING U/M EA	ROUTING OPERATIONS	KIT DOC PRINT OPT 0	BILL/LAD COM CD	BILLCOMM	
STD SETUP COST/LOT	.00000000		SUPP WGT		RECORD MAINTENANCE:
UNIT COST DEFAULT	314.00000000	VENDR PRIMARY	SUPP WGT U/M EA		CREATED SCASEY 07/01/**
BASE PRICE	.000	PUR TAX IND	TAX CLASS		CHANGED DHARRIS 07/20/**
BASE PRICE EFFECTIVE DATE	6/30/**				

NORTHCREEK IND.	ITEM MASTER FILE MAINTENANCE	DATE 7/01/**	TIME 15.29.34	PAGE 2	AMVTO
OPER	UPDATE#				
COSTING INFORMATION (CHANGED - OLD VALUE)					
ITEM NUMBER AMTPF0218	RECAST FLAG B	RECAST NEEDED			
CUR UNIT COST	\$312.5000000	CUR COST STATUS CD	CUM F/O COST ROLL FACT	.0000	
STD UNIT COST	\$314.0000000	STD COST STATUS CD	LABOR HOURS	.0000	
CUR SETUP COST/LOT	\$.00000000	CST TECHNIQUE CODE	STD LOT SIZE	.000	
-----CURRENT-----	LAST MAINT TBL	-----THIS LEVEL-----	-----LOWER LEVELS-----		
MATERIAL	5/27/**	\$312.56247182	\$.00000000	
OUTSIDE OPERATIONS					
PURCHASE OVERHEAD		\$.00000000		\$.00000000	
SETUP LABOR	8/28/**	\$.00000000		\$.00000000	
RUN LABOR		\$.00000000		\$.00000000	
SETUP MACHINE					
RUN MACHINE					
MFG OVERHEAD					
MISC COST 1					
MISC COST 2					
MISC COST 3					
MISC COST 4					
-----STANDARD-----	LAST MAINT TBL	-----THIS LEVEL-----	-----LOWER LEVELS-----		
MATERIAL	5/27/**	\$314.00000000			
OUTSIDE OPERATIONS					
PURCHASE OVERHEAD		\$.00000000			
SETUP LABOR	8/28/**	\$.00000000			
RUN LABOR		\$.00000000			
SETUP MACHINE					
RUN MACHINE					
MFG OVERHEAD					
MISC COST 1					
MISC COST 2					
MISC COST 3					
MISC COST 4					
COSTING INFORMATION (CHANGED - NEW VALUE)					
ITEM NUMBER AMTPF0218	RECAST FLAG B	RECAST			
CUR UNIT COST	\$312.5000000	CUR COST STATUS CD	CUM F/O COST ROLL FACT	.0000	
STD UNIT COST	\$314.0000000	STD COST STATUS CD	LABOR HOURS	50.0000	
CUR SETUP COST/LOT	\$.00000000	CST TECHNIQUE CODE	R STD LOT SIZE	25.000	
-----CURRENT-----	LAST MAINT TBL	-----THIS LEVEL---	-----LOWER LEVELS-----		
MATERIAL	5/27/**	\$312.5624			
OUTSIDE OPERATIONS					
PURCHASE OVERHEAD		\$.0000			
SETUP LABOR	8/28/**	\$.0000			
RUN LABOR		\$.0000			
SETUP MACHINE					
RUN MACHINE					
MFG OVERHEAD					
MISC COST 1					
MISC COST 2					
MISC COST 3					
MISC COST 4					
-----STANDARD-----	LAST MAINT TBL	-----THIS LEVEL---	-----LOWER LEVELS-----		
MATERIAL	5/27/**	\$314.0000			
OUTSIDE OPERATIONS					
PURCHASE OVERHEAD		\$.0000			
SETUP LABOR	8/28/**	\$.0000			
RUN LABOR		\$.0000			
SETUP MACHINE					
RUN MACHINE					
MFG OVERHEAD					
MISC COST 1					
MISC COST 2					
MISC COST 3					
MISC COST 4					

NORTHCREEK IND.		ITEM MASTER FILE MAINTENANCE		DATE	7/01/**	TIME	15.29.34	PAGE	2	AMVTO
				OPER		UPDATE#				
PURCHASING INFORMATION (CHANGED - OLD VALUE)										
ITEM NUMBER	AMTFF0218	BUYER NUMBER		ACCOUNT		PURCHASE PRICE				
EXTENDED DESCRIPTION-										
-WEIGHTED PERCENT-										
LEAD TIME %		-TOLERANCE PERCENT-		RECEIPT REQUIRED		1 AVG ORDER SIZE				
DELIVERY %		REC PLUS %		ALLOW DAYS EARLY		PURCH COMMODITY		APPLC		
QUALITY %		REC MINUS %		SHIP VIA		PRE-APPROVED		0		
PRICE %				ALPHA FACTOR		.000				
EARLY DELIVERY %										
LATE DELIVERY %										
OVERSHIP %										
UNDERSHIP %										
PURCHASING INFORMATION (CHANGED - NEW VALUE)										
ITEM NUMBER	AMTFF0218	BUYER NUMBER	NW331	ACCOUNT		842850 PURCHASE PRICE				
EXTENDED DESCRIPTION-										
-WEIGHTED PERCENT-										
LEAD TIME %		-TOLERANCE PERCENT-		RECEIPT REQUIRED		1 AVG ORDER SIZE				
DELIVERY %		REC PLUS %		ALLOW DAYS EARLY		PURCH COMMODITY		APPLC		
QUALITY %		REC MINUS %		SHIP VIA		PRE-APPROVED		0		
PRICE %				ALPHA FACTOR		.000				
EARLY DELIVERY %										
LATE DELIVERY %										
OVERSHIP %										
UNDERSHIP %										

NORTHCREEK IND.		ITEM MASTER FILE MAINTENANCE CONTROL SHEET		DATE	7/01/**	TIME	15.29.34	PAGE	3	AMVTO
				OPER		UPDATE#				
----- TRANSACTION UPDATE STATISTICS -----										
ITEMS		ITEMS		ITEMS						
ADDED	0	CHANGED	1	DELETED	0					

These reports print only if, during application tailoring, you selected to print before and after images of master files that have changed. The Item Master File Maintenance report and the Item Master File Maintenance Control Sheet print each time you use **F24** to end an Item Master file maintenance session. The control sheet provides the number of items added, changed, and deleted. If IFM is installed, the **ACCOUNT** field is replaced with a **NATURE** field.

See "AMVT02—Item Master File—General Information (Add/Change/Delete/Set Defaults)", "AMVT03—Item Master File—Additional Information (Add/Change/Delete/Set Defaults)", "AMVT04—Item Master File—Costing Information (Add/Change/Delete/Set Defaults)", and "AMVT05—Item Master File—Purchasing Information (Add/Change/Delete/Set Defaults)" for a description of the fields on these reports.

Note: The titles of the cost elements shown in the costing information on this report depend on the titles you selected in the PDM Control file.

Item Master File Report—Brief (AMVE40)

NORTHCREEK IND	ITEM MASTER FILE REPORT-BRIEF SEQUENCED BY ITEM	DATE 08/07/**	TIME 13.57.36	PAGE 1	AMVE40							
	ITEMS FROM SKT107 TO SKT109	OPER	TOUSET									
ITEM NUMBER	DESCRIPTION	INV CODE	STK U/M	PRI U/M	I T	ITEM IAC CLASS	VENDOR DEPT	VAL CLS	WEIGHT	WHSE STLC	COST TECH	ENGINEERING DRAWING NO
SKT107	FAB ITEM	01	EA	EA	2	SKT		.000		P104	R	
SKT108	FAB ITEM2	01	EA	EA	2			.000			R	
SKT109	FAB ITEM3	01	EA	EA	2			.000			R	

NORTHCREEK IND	ITEM MASTER FILE REPORT-BRIEF SEQUENCED BY ITEM	DATE 08/07/**	TIME 13.57.36	PAGE 2	AMVE40
	ITEMS FROM SKT107 TO SKT109				
	3 ITEMS LISTED				

To print this report, use option 1 on the File Listings menu (AMIM23).

The header indicates the sequence you selected. The sequence can be by:

- Item
- Planner
- Vendor
- Item type
- Item class
- Buyer
- Item accounting class.

You can also print this report in one of these formats:

- Brief
- Complete
- Current costs only
- Standard costs only
- Purchase item detail
- Purchase item description

To print the Item Master File Report in the current cost or standard cost format, you must have the security level necessary for handling Item Master cost information. The format you choose determines the content and length of the report:

- If you specify Brief or Purchase item detail, the report contains one line of information per item.
- If you specify Complete or Purchase item description, the report contains multiple lines of detail per item.
- If you specify Current costs only, the report contains two lines of current cost information per item.
- If you specify Standard costs only, the report contains two lines of standard cost information per item.

Fields

ITEMS FROM/TO. The beginning and ending numbers identifying the range of items you selected for this report.

ITEM NUMBER. The unique alphanumeric identification of this item.

DESCRIPTION. The description or name of this item that appears on inquiries and reports.

INV CODE (Inventory Code). This field shows one of the following codes, which classify this item in inventory:

- 1 Inventory item
- 2 Miscellaneous item
- 3 Service item
- 4 Unstocked item.

STK U/M (Stocking Unit of Measure). The unit used to express on-hand quantity and issue quantity

PRI U/M (Price Unit of Measure). The unit of measure you use to price the item to customers. For example, if a box of bolts is sold by the box, but priced by the individual bolt, the pricing unit of measure is EA for each.

I T (Item Type Code). Code that best describes the type of item:

- 0 Phantom
- 1 Assembly or subassembly
- 2 Fabricated item
- 3 Raw material
- 4 Purchased item
- 9 User option
- F Feature
- K Kit

IAC (Item Accounting Class). Class, defined by your company, to group or classify items for accounting purposes.

ITEM CLASS. A code that identifies the item class for this item according to how you classified your items into groups. FCST (if installed and interfacing) can use this field to classify items that have been coded as master level items (MLI code M or S).

VENDOR. The number of the primary supplier of the item.

DEPT (Department Number). The number of the department responsible for this item. This field is informational only.

VAL CLS (Value Class). A user-assigned code that identifies the importance of the item. For example, the classes may be "A, B, C." FCST (if installed and interfacing) can use this field to classify items that have been coded as master level items (MLI code M or S).

WEIGHT. The weight of each item unit.

WHSE STLC (Warehouse Stock Location). A code that shows the item's location in the warehouse.

COST TECH (Cost Technique Code). This code identifies the costing technique selected for this item.

- blank** The this-level labor and manufacturing overhead values are not to be calculated by PDM product costing. The labor and manufacturing overhead costs you entered are used.
- R** The this-level labor and manufacturing overhead costs for the item are calculated using the routing hours and the facility rates. Cost technique code R is not valid for item types 3 or 4.
- T** The this-level labor and manufacturing overhead costs for the item are calculated using the labor hours you entered and from the values contained in the Labor/Overhead Table (indicated by the labor/Overhead TBL codes on this display).

ENGINEERING DRAWING NO. A number used to identify a drawing of an item.

Item Master File Report—Complete (AMVE41)

NORTHCREEK IND.	ITEM MASTER FILE REPORT-COMPLETE	DATE 8/06/**	TIME 15.38.51	PAGE 1	AMVE41
	SEQUENCED BY ITEM	OPER	TOUSET		
	ITEMS FROM 'BEGINNING'	TO 'END'			
	VENDORS FROM 'BEGINNING'	TO 'END'			
	ITEM TYPES FROM 'BEGINNING'	TO 'END'			
	ITEM CLASSES FROM 'BEGINNING'	TO 'END'			
	BUYERS FROM 'BEGINNING'	TO 'END'			
	ITEM ACCOUNTING CLASS FROM 'BEGINNING'	TO 'END'			
	ITEMS FROM SKT107	TO SKT107			
GENERAL INFORMATION					
ITEM NUMBER SKT107	DESCRIPTION FAB ITEM	ALTERNATE ITEM NUMBER	AMTPF0219		
ITEM TYPE CODE 2	ENG DRW	QC CONTROL	0	ITEM PRICE CLASS	
ITEM CLASS CI	STD BCH QTY 5.000	SHELF LIFE		SALES TAX IND	T00
VALUE CLASS	S-NUMBER FLAG	BATCH/LOT CTL	0	COMMISSION PCT	.000
INVENTORY CODE 01	LOW LEVEL	INSP ON RECEIPT	0	PRICE U/M	
DEPARTMENT REP3	STD TOT CUM YLD .648	DISCRETE ALLOC	0	UNIT VOLUME	.000
ITEM ACTG CLS AA2	CUR TOT CUM YLD .648	WARRANTY PER	36	UNIT WEIGHT	.000
CARRYING RATE .000	AVG TOT CUM YLD .000	WARRANTY PER U/M		WEIGHT U/M	EA
COUNTRY OF ORIG	SINGLE LEVEL COMP'S 1	SERIAL NUM REQD	0	SPEC GRAVITY	.0000
W/H STK LOC	DIRECT USAGES	PRT ON SALES ANL	0	PACKING CODE	
STOCKING U/M EA	ROUTING OPERATIONS 4	KIT DOC PRINT OPT	0	BILL/LAD COM CD	AZP
STD SETUP COST/LOT	650.65894737	SUPP WGT		RECORD MAINTENANCE:	
UNIT COST DEFAULT	.00000000	VENDR PRIMARY		CREATED	BSEDLOCK 07/03/**
BASE PRICE	.000	PUR TAX IND		CHANGED	TOUSET 08/01/**
BASE PRICE EFFECTIVE DATE	09/30/**				
COSTING INFORMATION					
ITEM NUMBER SKT107	RECOST FLAG	NO RECOST NEEDED			
CUR UNIT COST	3,568.35817933	CUR COST STATUS CD		CUM F/O COST ROLL FACT	.0000
STD UNIT COST	4,536.44664548	STD COST STATUS CD		LABOR HOURS	50.0000
CUR SETUP COST/LOT	639.25894737	CST TECHNIQUE CODE R		STD LOT SIZE	25.000
-----CURRENT-----	LAST MAINT TBL	-----THIS LEVEL-----		-----LOWER LEVELS-----	
MATERIAL	06/20/**	308.60000000		.00000000	
OUTSIDE OPERATIONS		282.40740741		.00000000	
PURCHASE OVERHEAD		33.94600000			
SETUP LABOR		18.72336842		.00000000	
RUN LABOR		426.06725146		.00000000	
SETUP MACHINE	07/01/**	7.50315789			
RUN MACHINE		493.49415205			
MFG OVERHEAD		997.61684210			
OTHER COST 1	07/20/**	100.00000000			
OTHER COST 2	07/20/**	200.00000000			
OTHER COST 3	07/20/**	300.00000000			
OTHER COST 4	07/20/**	400.00000000			
-----STANDARD-----	LAST MAINT TBL	-----THIS LEVEL-----		-----LOWER LEVELS-----	
MATERIAL		339.46000000			
OUTSIDE OPERATIONS		280.86419753			
PURCHASE OVERHEAD		37.34060000			
SETUP LABOR		19.12968421			
RUN LABOR		361.03801170			
SETUP MACHINE		7.50315789			
RUN MACHINE		493.49415205			
MFG OVERHEAD		997.61684210			
OTHER COST 1	07/20/**	200.00000000			
OTHER COST 2	07/20/**	400.00000000			
OTHER COST 3	07/20/**	600.00000000			
OTHER COST 4	07/20/**	800.00000000			
PURCHASING INFORMATION					
ITEM NUMBER SKT107	BUYER NUMBER	ACCOUNT		PURCHASE PRICE	
EXTENDED DESCRIPTION-	FOR DOMESTIC USE ONLY				
-WEIGHTED PERCENT-					
LEAD TIME %	-TOLERANCE PERCENT-	RECEIPT REQUIRED	1	AVG ORDER SIZE	
DELIVERY %	REC PLUS %	ALLOW DAYS EARLY		PURCH COMMODITY	125
QUALITY %	REC MINUS %	SHIP VIA		PRE-APPROVED	0
PRICE %		ALPHA FACTOR	.000		
EARLY DELIVERY %					
LATE DELIVERY %					
OVERSHIP %					
UNDERSHIP %					

NORTHCREEK IND.	ITEM MASTER FILE REPORT-COMPLETE SEQUENCED BY ITEM	DATE 8/06/** TIME 15.38.51	PAGE 2 AMVE41
	ITEMS FROM SKT107 TO SKT107	OPER TOUSET	
	1 ITEMS LISTED		

This sample report uses the MAPICS default title for the cost element fields. The titles of these fields depend on what was entered in the PDM Control file for the cost elements.

The **BASE PRICE** fields do not appear on the report if you do not have the security level necessary for viewing and maintaining Item Master price fields.

The **UNIT CST DFT, CUR SETUP/LOT, STD SETUP LOT, CUR UNIT COST, STD UNIT COST**, and current or standard purchase, labor, and overhead fields do not appear on the report if you do not have the proper security level for viewing and maintaining Item Master cost fields.

Fields

ITEMS FROM/TO. The beginning and ending numbers identifying the range of items you selected for this report.

VENDORS FROM/TO. The beginning and ending numbers identifying the range of vendors you selected for this report.

ITEM TYPES FROM/TO. The beginning and ending code values for the range of item types you selected for this report.

ITEM CLASSES FROM/TO. The beginning and ending code values for the range of item classifications you selected for this report.

BUYERS FROM/TO. The beginning and ending numbers identifying the range of buyers you selected for this report.

ITEM ACCOUNTING CLASS FROM/TO. The beginning and ending code values for the range of item accounting classes you selected for this report.

VENDR PRIMARY. The number of the primary supplier of the item.

For more detail on the remaining fields, see "Item Master File Maintenance (AMVT0)".

Item Master File Report—Current or Standard Costs (AMVE42)

NORTHCREEK IND		ITEM MASTER FILE REPORT-CURRENT COSTS SEQUENCED BY ITEM				DATE 8/07/**	TIME 13.58.17	PAGE 1	AMVE42	
ITEM NUMBER	DESCRIPTION	ITEMS FROM SKT107	UM I/T	TO SKT109	ICLASS	ENGR DRAWING NO MACHINE	OPER	TOUSET	OVERHEAD/MISC	UNIT-COST
SKT107	FAB ITEM		EA 2		SKT					
	TL	591.00740741		444.79061988		500.99730994			2031.56284210	3568.35817933
	LL	.00000000		.00000000		.00000000			.00000000	
SKT108	FAB ITEM2		EA 2							
	TL	1267.90400000		.00000000		.00000000			.00000000	1267.90400000
	LL	.00000000		.00000000		.00000000			.00000000	
SKT109	FAB ITEM3		EA 2							
	TL	1021.32664000		.00000000		528.00000000			.00000000	1549.32664000
	LL	.00000000		.00000000		.00000000			.00000000	

NORTHCREEK IND		ITEM MASTER FILE REPORT-CURRENT COSTS SEQUENCED BY ITEM				DATE 3/07/**	TIME 11.11.52	PAGE 2	AMVE42	
		ITEMS FROM SKT107		TO SKT109						
3 ITEMS LISTED										

To print this report, use option 1 on the File Listings menu (AMIM23 or AMEM03). Only fields that are not described on other Item Master reports are described here.

Fields

ITEMS FROM/TO. The beginning and ending numbers identifying the range of items you selected for this report.

ITEM NUMBER. The unique alphanumeric identification of this item.

DESCRIPTION. The description or name of this item that appears on inquiries and reports.

UM (Unit of Measure). The unit used to express on-hand quantity and issue quantity.

I/T (Item Type Code). Code that best describes the type of item:

- 0** Phantom
- 1** Assembly or subassembly
- 2** Fabricated item
- 3** Raw material
- 4** Purchased item
- 9** User option
- F** Feature
- K** Kit

ICLASS (Item Class). A code that identifies the item class for this item according to how you classified your items into groups. FCST (if installed and interfacing) can use this field to classify items that have been coded as master level items (MLI code M or S).

ENGR DRAWING NO. The number used to identify a drawing of an item.

Note: The cost element titles on your report may have different titles depending on what was entered in PDM Control File Maintenance. Costs are shown for this-level (TL) and lower-level (LL). The sum of the cost elements in both levels is shown in the **Unit Cost** field.

Item Master File Report—Purchase Item Detail (AMVE43)

NORTHCREEK IND.		ITEM MASTER FILE REPORT-PURCHASE ITEM DETAIL				DATE 10/10/**		TIME 12.59.59		PAGE 1		AMVE43			
		SEQUENCED BY ITEM				OPER									
		ITEMS FROM 'BEGINNING'				TO 8341									
ITEM NUMBER	BUYER	PKG CDE	PURCHASE PRICE	SHIP CODE	ACCOUNT NUMBER	TOLERANCE PERCENT		LEAD TIME	DLV	QLT	PRC	PERCENT -DELIVERY-		SHIPPED	
						REC-	REC+					EARLY	LATE	OVR	UND
0115456	4		1.5000	3	1000	5	5	25	25	25	25	6	6	8	8
0121214	2		261.5900	6	1000	5	5	25	25	25	25	5	5	3	5
01258556	3		.7500	7	1000	5	5	25	25	25	25	3	3	4	4
0147852	3		.0500	2	1000	5	5	25	25	25	25	7	5	10	10
0154686	2		3.5000	6	1000	5	5	25	25	25	25	4	3	7	7
015556462	1		.3200	4	1000	3	7	15	20	40	25	7	10	10	15
01726	1		233.5000	1	1000	7	5	25	25	25	25	0	5	12	20
11114569	1		212.5000	5	1000	5	5	25	25	25	25	3	0	15	0
11212145	2		3.4890	9	1000	8	0	40	15	15	30	0	17	7	13
1214598			5.0000	8	1000	0	0	30	30	30	30	4	2	12	10
1236963	3		17,365.0000	3	1000	1	2	15	20	30	32	4	3	8	4
125874	4		7.3500	7	1000	3	3	10	10	50	30	5	3	2	4
128436	1		33.0000	9	1000	5	5	25	25	25	25	5	15	30	10
1357412	4		17.3300	6	1000	3	0	5	25	35	35	7	4	3	2
1456321	2		63.2500	4	1000	5	5	25	25	25	25	10	10	7	7
1458923			176.0000	5	1000	3	6	7	7	35	51	2	3	5	5
1478547	3		1,523.4000	8	1000	5	5	25	25	25	25	3	2	10	10
154826	2		150.0000	1	1000	5	5	25	25	25	25	5	15	30	10
159874	2		6.5000	6	1000	5	5	25	25	25	25	5	15	30	10
1656554	3		1,600.0000	7	1000	5	5	25	25	25	25	5	5	8	5
1741741	2		.6250	5	1000	5	5	25	25	25	25	1	1	0	0
1753951	4		89.0000	9	1000	5	5	25	25	25	25	8	5	10	0
1895623	2		26.7500	7	1000	5	5	25	25	25	25	6	0	0	2
196325	4		633.1500	6	1000	5	5	25	25	25	25	5	0	15	0
1963258	2		15.9500	3	1000	5	5	25	25	25	25	6	6	5	5
1984573	1		66.5000	9	1000	4	4	55	5	20	20	7	5	8	10
8322	1		7.0000		1000	0	0	0	0	0	0	0	0	0	0
8323	1		.0000		1000	0	0	0	0	0	0	0	0	0	0
8324	1		.0000		1000	0	0	0	0	0	0	0	0	0	0
8330	1		.0000		1000	0	0	0	0	0	0	0	0	0	0
8331	1		.0000		1000	0	0	0	0	0	0	0	0	0	0
8332	1		.0000		1000	0	0	0	0	0	0	0	0	0	0
8333	1		.0000		1000	0	0	0	0	0	0	0	0	0	0
8340	1		.0000		1000	0	0	0	0	0	0	0	0	0	0
8341	1		.0000		1000	0	0	0	0	0	0	0	0	0	0

35 ITEMS LISTED

To print this report, use option 1 on the File Listings menu (AMIM23). Only fields that are not described on other Item Master reports are described here.

Fields

ITEMS FROM/TO. The beginning and ending numbers identifying the range of items you selected for this report.

ITEM NUMBER. The unique alphanumeric identification of this item.

BUYER. The number of the buyer for this item.

PKG CDE (Packing Code). A field that is available for your use to code how the item should be packed for shipment.

PURCHASE PRICE. The purchase price for this item.

SHIP CODE. This field shows a code identifying the means by which this item is normally shipped.

ACCOUNT NUMBER. The account number to be invoiced for the item.

TOLERANCE PERCENT.

REC -. This field shows the user-defined percentage of receipts that can be underdelivered.

REC +. This field shows the user-defined percentage of receipts that can be overdelivered.

WEIGHTED PERCENT.

LEAD TIME. The percentage to be placed on variances between quoted and actual vendor lead times.

DLV. The percentage to be placed on variances between ordered and delivered quantities.

QLT. The percentage to be placed on reject quantities.

PRC. The percentage to be placed on variances between quoted and actual vendor prices.

EARLY DELIVERY. The percentage to be placed on early delivery.

LATE DELIVERY. The percentage to be placed on late delivery.

OVR SHIPPED. The percentage to be placed on overshipment.

UND SHIPPED. The percentage to be placed on undershipment.

Item Master File Report—Purchase Item Description (AMVE44)

NORTHCREEK IND.	ITEM MASTER FILE REPORT-PURCHASE ITEM DESCRIPTION SEQUENCED BY ITEM	DATE 10/10/**	TIME 13.11.09	PAGE 1	AMVE44
	ITEMS FROM 8322	TO 'END'			
BUYER	ITEM NUMBER	ITEM DESCRIPTIONS			
1	8322	STATIONERY 9 1/2 BY 12 WHITE BOND ENVELOPE WITH EMBLEM AND RETURN ADDRESS			
1	8323	STATIONERY 8 BY 12 WHITE BOND LETTER HEAD			
1	8324	STATIONERY 8 BY 12 WHITE BOND PLAIN			
1	8330	DESK EXECUTIVE DESK MAHOGANY WITH BROWN LEATHER TOP INLAID WITH GOLD			
1	8331	DESK EXECUTIVE DESK MAHOGANY PLAIN			
1	8332	DESK SECRETARIAL DESK LEFT DROP			
1	8333	DESK SECRETARIAL DESK RIGHT DROP			
1	8340	CHAIR EXECUTIVE SWIVEL CHAIR BROWN LEATHER WITH SIDE ARMS			
1	8341	CHAIR CONFERENCE CHAIR SWIVEL BLUE TWEED			
9 ITEMS LISTED					

To print this report, use option 1 on the File Listings menu (AMIM23). Only fields that are not described on other Item Master reports are described here.

Fields

ITEMS FROM/TO. The beginning and ending numbers identifying the range of items you selected for this report.

BUYER. The number of the buyer for this item.

ITEM NUMBER. The unique alphanumeric identification of this item.

ITEM DESCRIPTIONS. The description or name of this item that appears on inquiries and reports.

Item Base Price List (AMVB6PFR)

Item number	Description	Effective date	Base price	Pricing U/M	Item price class
AIRKIT	AIR-CONDITIONER KIT (OPTION)	5/25/**	500.000	EA	RET
ALPSKWR	ALL PURPOSE SHRINK WRAP	5/25/**	1.009	FT	RETF
BATTERY	12 VOLT BATTERY	5/25/**	200.000	EA	RET
BELT	AIR CONDITIONER BELT	5/25/**	10.000	EA	WHTA
BG0001	4 13/16" OD X 2 5/16" ID TAPE	5/25/**	.000	EA	
BG0002	PUMP PACKING, GENERAL PURPOSE	5/25/**	.000	EA	
BG0005	BEARINGS, 1.5 X .5, BALL	5/25/**	10.500	BX	
BG0006	MAINSHAFT BEARING FOR COMPRESS	5/25/**	.000	EA	
BG0100	BALL BEARING 0622Z	5/25/**	100.000	BX	
BICY004	DELUXE II, GIR'S BICYCLE	5/25/**	1,406.571	EA	WHTA
BICY008	DELUXE II, BOY'S BICYCLE	5/25/**	1,248.521	EA	WHTA
** END OF REPORT **					

Use this report for a list of item base prices. This report is printed when you select option 3 on the File Listings menu.

Fields

Item number. Number of the item, which can be any item that your company sells.

Description. Description of the item that appears on invoices, inquiries, and reports.

Effective date. Date on which the base price of an item becomes effective.

Base price. Unit price used in calculating the selling price of an item.

Pricing U/M. Unit of measure used to price the item to customers. For example, if a box of 48 bolts is sold by the box but priced by the bolt, the pricing unit of measure is EA for each.

Item price class. Code defined by your company to group items into categories for pricing. Items assigned the same item price class code must have the same pricing unit of measure.

Item QC and Batch/Lot Controls (AMIQU)

GATEWAY MFG CO		ITEM QC AND BATCH/LOT CONTROLS		DATE 8/10/**	TIME 16.00.16	PAGE 1	AMIQU
ITEM	DESCRIPTION	ITEM CLASS	QC CONTROL	SHELF LIFE (IN DAYS)	INSPECT ON RECEIPT	BATCH/LOT CONTROL	DISCRETE ALLOCATIONS ALLOWED
200207	GLUE	MATL	YES	90	NO	YES	YES
200208	HARDBOARD	MATL	NO		NO	NO	NO
200209	LEFT LOCK	HDWR	NO		NO	YES	YES
200210	RIGHT LOCK	HDWR	NO		YES	NO	NO
200223	BROWN DYE	DYE	YES	25	NO	YES	YES
200224	WINE DYE	DYE	YES	5	YES	YES	NO
200225	NAVY DYE	DYE	YES	5	YES	YES	NO
200226	BEIGE DYE	DYE	YES	40	YES	YES	NO
200227	GRAY DYE	DYE	YES	15	YES	YES	NO
200228	WARRANTY/FACT SHEET	DOCN	YES	100	NO	YES	NO
200229	PLASTIC HOLDER	DOCN	YES	100	NO	YES	NO
200230	HANDLE PLATE	HDWR	YES	100	NO	YES	NO
200231	DEC BUT	DCRN	NO		NO	NO	NO

*** END OF PRINT ***

To print this report, use option 4 on the Inventory Reports menu (AMIM22).

Fields

ITEM. Each item number within the range typed in on the Select display (AMIX51) appears.

DESCRIPTION. The description of the item.

ITEM CLASS. The item class for the corresponding item.

QC CONTROL. Either of the following appears:

YES The item requires quality control inspection during its shelf life. Inspection is initiated according to the number of shelf life days.

NO The item does not require quality control inspection during its shelf life.

SHELF LIFE (IN DAYS). For QC controlled items, this field shows the number of days the item can remain on the shelf before inspection is required. For non-QC controlled items, this field is blank.

INSPECT ON RECEIPT. Either of the following appears:

YES The item requires inspection on receipt.

NO The item does not require inspection on receipt.

BATCH/LOT CONTROL. Either of the following appears:

YES The item requires batch or lot control.

NO The item does not require batch or lot control.

DISCRETE ALLOCATIONS ALLOWED. Either of the following appears:

YES You can make discrete allocations of this item to manufacturing or customer orders.

NO You cannot make discrete allocations of this item to manufacturing or customer orders.

Item Shortage Report-Follow-Up Analysis (AMI4Q3)

MAPICS		ITEM SHORTAGE REPORT				DATE	2/08/**	TIME	11.16.49	PAGE	1	AMI4Q3
		--- FOLLOW-UP ANALYSIS ---				OPER	M4					
		ITEM NUMBERS	FROM-	BEGINNING	TO-							
		SCHEDULED RECEIPTS-	INCLUDED	INCLUDED	PRINTED							
		MANUFACTURE REQUIREMENTS-	INCLUDED	INCLUDED	PRINTED							
		COMPLETED MFG ORDERS	INCLUDED	INCLUDED	PRINTED							
		CUSTOMER REQUIREMENTS-	NOT INCLUDED	INCLUDED	PRINTED							
		SCHEDULE ORDERS	INCLUDED	INCLUDED	PRINTED							
COMPONENT	WH REV	DESCRIPTION	TYP	PLANNER	PICK REQ	ALLOCATED	ON ORDER	ON HAND				
BLUPNT	ATL	BLUE PAINT	4	5000	.000	10,719.273	1.000	1,413.000				
ORDER/	ITEM	WH DESCRIPTION	REQ DATE	DUE DATE	REQ QTY	RECEIPTS	REMAINING	JIT				
SCHED												
M000230	PLSDKS	ATL PLASTIC DUCKS		2/01/**		10,717.273		9,304.273-	SHORT**			
	DEMAND:	P REQMT			M REQMT		SAFETY					
		01-C00000006/0030000/00001	M FCST		P REQMT							
M000240	PLSDKS	ATL PLASTIC DUCKS		2/08/**		1.000		9,305.273-	SHORT**			
	DEMAND:	P REQMT										
M000250	PLSDKS	ATL PLASTIC DUCKS		2/08/**		1.000		9,306.273-	SHORT**			
P000200	** RECEIPT **			12/01/94		.000	1.000	9,305.273-				
	DEMAND:	P REQMT	P REQMT		P REQMT							
COMPONENT	WH REV	DESCRIPTION	TYP	PLANNER	PICK REQ	ALLOCATED	ON ORDER	ON HAND				
CRDBX45	ATL	4' X 5' CARDBOARD BOX	4	6000	.000	.000	172,054.346	49,982.000				
ORDER/	ITEM	WH DESCRIPTION	REQ DATE	DUE DATE	REQ QTY	RECEIPTS	REMAINING	JIT				
SCHED												
P000192	** RECEIPT **			1/18/**		.000	150,017.800	199,999.800				
	DEMAND:	SAFETY	SAFETY		P REQMT		01-C00000001/0010000/00001					
		01-C00000001/0010000/00002	01-C00000001/0010000/00009		01-C00000001/0010000/00010		01-C00000044/0010000/00001					
		P REQMT	01-C00000044/0010000/00001		01-C00000044/0010000/00001		P REQMT					
		01-C00000001/0010000/00003	01-C00000044/0010000/00001		P REQMT		P REQMT					
		01-C00000001/0010000/00004	01-C00000001/0010000/00005		01-C00000001/0010000/00006		01-C00000001/0010000/00007					
		P REQMT	P REQMT		P REQMT		P REQMT					
		P REQMT	P REQMT		01-C00000001/0010000/00008		P REQMT					
		P REQMT	P REQMT		01-C00000032/0010000/00001		01-C00000035/0010000/00001					
		01-C00420701/0010000/00001	01-C00000033/0010000/00001		P REQMT		P REQMT					
		P REQMT	P REQMT		P REQMT							
P0001**	** RECEIPT **			2/01/**		.000	22,034.546	222,034.346				
	DEMAND:	P REQMT	P REQMT		01-C00555123/0010000/00001		01-C00555124/0010000/00001					
		01-C00555125/0010000/00001	01-C00555126/0010000/00001		P REQMT							
X000014	** RECEIPT **			2/08/**		.000	2.000	222,036.346				
COMPONENT	WH REV	DESCRIPTION	TYP	PLANNER	PICK REQ	ALLOCATED	ON ORDER	ON HAND				
PLSDKS	ATL	PLASTIC DUCKS	2	0	50,000.000	.000	253,756.363	140.000				
ORDER/	ITEM	WH DESCRIPTION	REQ DATE	DUE DATE	REQ QTY	RECEIPTS	REMAINING	JIT				
SCHED												
M000250	** RECEIPT **			1/15/**		.000	10.000	150.000				
M000230	** RECEIPT **			2/01/**		.000	107,172.727	107,322.727				
	DEMAND:	P REQMT	M FCST		M REQMT		SAFETY					
		01-C00000006/0030000/00001	P REQMT									
M000240	** RECEIPT **			2/08/**		.000	10.000	107,332.727				

MAPICS		ITEM SHORTAGE REPORT				DATE	TIME	PAGE	2 AMI403	
		--- FOLLOW-UP ANALYSIS ---				2/08/**	11.16.49	2		
DEMAND: P REQMT						OPER M4				
COMPONENT	WH REV	DESCRIPTION	TYP	PLANNER	PICK REQ	ALLOCATED	ON ORDER	ON HAND		
PLSPEL	ATL	PLASTIC PELLETS	4	7000	.000	107,192.727	.000	1,708.000-		
ORDER/	ITEM	WH DESCRIPTION	REQ DATE	DUE DATE	REQ QTY	RECEIPTS	REMAINING	JIT		
SCHED										
M000230	PLSDKS	ATL PLASTIC DUCKS	2/01/**		107,172.727		108,880.727-	SHORT**		
DEMAND:	P REQMT			M FCST		SAFETY				
	01-C00000006/0030000/00001			P REQMT						
M000240	PLSDKS	ATL PLASTIC DUCKS	2/08/**		10.000		108,890.727-	SHORT**		
DEMAND:	P REQMT									
M000250	PLSDKS	ATL PLASTIC DUCKS	2/08/**		10.000		108,900.727-	SHORT**		
COMPONENT	WH REV	DESCRIPTION	TYP	PLANNER	PICK REQ	ALLOCATED	ON ORDER	ON HAND		
RESELTP	ATL	REINFORCED SEALING TAPE	4	8000	.000	10,719.273	.000	15,062.700		
ORDER/	ITEM	WH DESCRIPTION	REQ DATE	DUE DATE	REQ QTY	RECEIPTS	REMAINING	JIT		
SCHED										
M000230	PLSDKS	ATL PLASTIC DUCKS	2/01/**		10,717.273		4,345.427			
DEMAND:	P REQMT			M FCST		SAFETY				
	01-C00000006/0030000/00001			P REQMT						
M000240	PLSDKS	ATL PLASTIC DUCKS	2/08/**		1.000		4,344.427			
DEMAND:	P REQMT									
M000250	PLSDKS	ATL PLASTIC DUCKS	2/08/**		1.000		4,343.427			
NUMBER OF ITEMS PRINTED		5	ITEMS WITH SHORTAGE -		4					

To print this report, use option 3 on the Inventory Reports menu (AMIM22). This report is time-phased. The remaining quantities printed are calculated using the actual detail of allocations and scheduled requirements by scheduled date.

Customer orders with an order status of 00 are included on this report for IM. They are excluded from the report for COM.

Note: When InterSite Logistics is installed, intersite orders that represent demand appear as customer orders. Intersite orders that represent scheduled receipts are listed separately, like purchase orders, with a prefix of X.

You have the option to print only items which are short or only items which are not short, if selected.

Fields

FOLLOW-UP ANALYSIS. Option 1.al required date limit (before), if selected.

ITEM NUMBERS. Option 2.al item number limits (from) (to), if selected.

SCHEDULED RECEIPTS INCLUDED/NOT INCLUDED. Indicates whether scheduled receipt quantities are included in the calculations for **REMAINING**, and is based on your response for **SCHEDULED RECEIPTS** on display AMI2P2.

MANUFACTURE REQUIREMENTS INCLUDED/NOT INCLUDED. Indicates whether manufacturing allocated quantities are included in the calculations for **REMAINING**, and is based on your response for **REQUIREMENTS INCLUDED** on display AMI2P1.

COMPLETED MFG ORDERS INCLUDED/NOT INCLUDED. Indicates whether or not completed manufacturing orders (no open quantity) are included in the calculations for **REMAINING**, and is based on the response you entered for **COMPLETED MFG ORDERS** on display AMI2P1.

CUSTOMER REQUIREMENTS INCLUDED/NOT INCLUDED. Indicates whether quantities allocated to or backordered on customer orders are included in the calculations for **REMAINING**, and is based on your response for **REQUIREMENTS INCLUDED** on display AMI2P1.

SCHEDULE ORDERS INCLUDED/NOT INCLUDED. Indicates whether allocated quantities from schedules are included in the calculations for **REMAINING** if Repetitive is interfacing, and is based on your responses for **SCHEDULES** and **REQUIREMENTS INCLUDED** on display AMI2P1.

SCHEDULED RECEIPTS PRINTED/NOT PRINTED. Indicates whether scheduled receipt line information and quantities are printed, and is based on your response for **SCHEDULED RECEIPTS** on display AMI2P3.

MANUFACTURE REQUIREMENTS PRINTED/NOT PRINTED. Indicates whether manufacturing requirements are printed, and is based on your response for **REQUIREMENTS TO PRINT** on display AMI2P3.

CUSTOMER REQUIREMENTS PRINTED/NOT PRINTED. Indicates whether customer order requirements are printed, and is based on your response for **REQUIREMENTS TO PRINT** on display AMI2P3.

SCHEDULE ORDERS PRINTED/NOT PRINTED. Indicates whether schedule requirements are printed if Repetitive is interfacing, and is based on your responses for **SCHEDULES** and **REQUIREMENTS TO PRINT** on display AMI2P3.

COMPONENT. Component item number.

WH. The warehouse in which the item is located.

REV (Revision). The identifier of the revision associated with this item. This field appears if EPDM is activated.

DESCRIPTION. Component item description.

TYP. Component type. Valid types are:

F	Feature
0	Phantom
1	Assembly or subassembly
2	Fabricated item
3	Raw material
4	Purchased item
9	User option.

PLANNER. A code identifying the person responsible for planning the replenishment strategy for this item.

PICK REQ. The total customer order allocations (printed for information only—not used in availability calculations).

ALLOCATED. The total manufacturing order allocations (printed for information only—not used in availability calculations).

ON ORDER. The total purchase on-order quantity plus manufacturing on-order quantity.

ON HAND. The total on hand quantity.

ORDER. The first position indicates the type of order:

M	Manufacturing order
P	Purchase order
C	Customer order

The customer order number includes company number and order type.

ITEM. The information printed under this heading depends on the type of detail line being printed:

Manufacture requirement	End item number
Customer requirement	Salesrepw number
Manufacture Receipt	**RECEIPT**
Purchase Receipt	**RECEIPT**

SALESREP. The code used to identify the sales representative assigned to the customer account.

WH. End item warehouse (printed only for a manufacture requirement).

DESCRIPTION. Used for detail lines only. When the requirement is for a manufacturing order, the end item description prints.

CUSTOMER. The customer number.

SEQUENCE. Control number assigned by IM or COM that uniquely identifies an item for the order. This number is not the line item sequence number from a customer order.

RELEASE. [Sequential number assigned by the system to identify individual releases.](#)

REQ DATE. The component required date (printed only for requirements).

DUE DATE. The order due date (printed only for scheduled receipts).

REQ QTY. The quantity required to complete the order (printed only for requirements).

RECEIPTS. The quantity open for the order (printed only for scheduled receipts).

REMAINING. The quantity available after this detail line is issued or received.

Note: The remaining quantity is calculated using the requirement types that were selected to be included and also using scheduled receipts if they were selected to be included. It is possible that the remaining quantity will not appear to flow logically from one detail line to the next if certain requirement types or scheduled receipts were selected to be included in the calculations but were not selected to be printed.

JIT. This field contains a Y if the supply location and the line location are the same for the component item.

Note: This field appears only when Repetitive is installed and interfacing.

SHORT. Requirements with insufficient available quantity are flagged. This is calculated as on hand minus previous requirements plus previous scheduled receipts.

This field indicates the status of a customer requirement

A Allocated
B Backordered
AB Allocated, previously backordered

DEMAND. The customer order or other top level requirement that generated this manufacturing order or purchase order item. Source of demand information appears only if MRP is installed and interfacing. The user defines the maximum number of demand sources to be printed. Possible values are:

BLENDED The larger of forecast and customer requirements (MSSR=B)

CUSONLY Customer orders (MSSR=C)

Cxxxxxx Customer orders, not combined (MSSR=D or E). The customer order shows in the format of 01-CO-nnnnnnnn.

FORECAST Forecast quantity (MSSR=F)

GENDMND Generated component quantity based on parent planned orders (MSSR not D or E)

Mxxxxxx Manufacturing order number

MANUAL Manually entered demand. Source of demand is optional at time of entry (MSSR=M)

M FCST Manual forecast

M HELD Manual held requirement

M REQMT Manual requirement

SAFETY Safety stock

NEG QOH Negative quantity on hand

P FCST Propagated forecast

P REQMT Propagated requirement

PRODPLN Production planned quantity (MSSR=P)

Sxxxxxx Repetitive Manufacturing order, allocated quantity

XS FCST Forecast quantity in excess of customer requirements (MSSR=D)

NUMBER OF ITEMS PRINTED. The number of items on report.

Item Shortage Report—Order Release (AMI4Q2)

MAPICS	ITEM SHORTAGE REPORT				DATE 2/08/**	TIME 17.10.46	PAGE 1	AMI4Q2
	--- ORDER RELEASE ---				OPER M4			
COMPONENT	WH	DESCRIPTION	TYP	PLANNER	PICK REQ	ALLOCATED	ON ORDER	ON HAND
BLPNT	ATL	BLUE PAINT	4	5000		.000 10,719.273	1.000	1,413.000
ORDER ITEM		WH DESCRIPTION		REQ DATE	DUE DATE	REQ QTY	REMAINING	JIT
M000300	PLSDKS	ATL PLASTIC DUCKS		2/08/**	11/25/**	1.000	9,307.273-	SHORT**
	DEMAND:	P REQMT	M FCST		M REQMT			
		01-C00000006/0030000/00001	01-C00000006/0030000/00002	01-C00000006/0030000/00003				
M000310	PLSDKS	ATL PLASTIC DUCKS		2/08/**	12/15/**	1.000	9,308.273-	SHORT**
	DEMAND:	P REQMT						
COMPONENT	WH	DESCRIPTION	TYP	PLANNER	PICK REQ	ALLOCATED	ON ORDER	ON HAND
PLSPEL	ATL	PLASTIC PELLETS	4	7000		.000 107,192.727	.000	1,708.000-
ORDER ITEM		WH DESCRIPTION		REQ DATE	DUE DATE	REQ QTY	REMAINING	JIT
M000300	PLSDKS	ATL PLASTIC DUCKS		2/08/**	11/25/**	10.000	108,910.727-	SHORT**
	DEMAND:	P REQMT	M FCST		M REQMT			
		01-C00000006/0030000/00001	01-C00000006/0030000/00002	01-C00000006/0030000/00003				
M000310	PLSDKS	ATL PLASTIC DUCKS		2/08/**	12/15/**	10.000	108,920.727-	SHORT**
	DEMAND:	P REQMT						
COMPONENT	WH	DESCRIPTION	TYP	PLANNER	PICK REQ	ALLOCATED	ON ORDER	ON HAND
RESELT	ATL	REINFORCED SEALING TAPE	4	8000		.000 10,719.273	.000	15,062.700
ORDER ITEM		WH DESCRIPTION		REQ DATE	DUE DATE	REQ QTY	REMAINING	JIT
M000300	PLSDKS	ATL PLASTIC DUCKS		2/08/**	11/25/**	1.000	4,342.427	
	DEMAND:	P REQMT	M FCST		M REQMT			
		01-C00000006/0030000/00001	01-C00000006/0030000/00002	01-C00000006/0030000/00003				
M000310	PLSDKS	ATL PLASTIC DUCKS		2/08/**	12/15/**	1.000	4,341.427	
	DEMAND:	P REQMT						
COMPONENT	WH	DESCRIPTION	TYP	PLANNER	PICK REQ	ALLOCATED	ON ORDER	ON HAND
SLTSOL	ATL	SOLIDIFYING SOLUTION	4	9000		.000 107,192.727	.000	85.000-
ORDER ITEM		WH DESCRIPTION		REQ DATE	DUE DATE	REQ QTY	REMAINING	JIT
M000300	PLSDKS	ATL PLASTIC DUCKS		2/08/**	11/25/**	10.000	107,287.727-	SHORT**
	DEMAND:	P REQMT	M FCST		M REQMT			
		01-C00000006/0030000/00001	01-C00000006/0030000/00002	01-C00000006/0030000/00003				
M000310	PLSDKS	ATL PLASTIC DUCKS		2/08/**	12/15/**	10.000	107,297.727-	SHORT**
	DEMAND:	P REQMT						
COMPONENT	WH	DESCRIPTION	TYP	PLANNER	PICK REQ	ALLOCATED	ON ORDER	ON HAND
YELPNT	ATL	DAISY YELLOW PAINT	4	10000		.000 35,373.600	.000	10,096.500
ORDER ITEM		WH DESCRIPTION		REQ DATE	DUE DATE	REQ QTY	REMAINING	JIT
M000300	PLSDKS	ATL PLASTIC DUCKS		2/08/**	11/25/**	3.300	25,280.400-	SHORT**
	DEMAND:	P REQMT	M FCST		M REQMT			
		01-C00000006/0030000/00001	01-C00000006/0030000/00002	01-C00000006/0030000/00003				
M000310	PLSDKS	ATL PLASTIC DUCKS		2/08/**	12/15/**	3.300	25,283.700-	SHORT**
	DEMAND:	P REQMT						
NUMBER OF ITEMS -		5	ITEMS WITH SHORTAGE -		4			

To print this report, use option 2 or option 3 on the Order Release and Closeout menu (AMIM40).

Fields

COMPONENT. Component item number.

WH. The warehouse in which the item is located.

DESCRIPTION. Component item description.

TYP. Component type. Valid types are:

- F** Feature
- 0** Phantom

- 1 Assembly or subassembly
- 2 Fabricated item
- 3 Raw material
- 4 Purchased item
- 9 User option.

PLANNER. A code identifying the person responsible for planning the replenishment strategy for this item.

PICK REQ. The total customer order allocations (used in availability calculations).

ALLOCATED. The total manufacturing order allocations (used in availability calculations).

ON ORDER. The total purchase on-order quantity plus total manufacturing on-order quantity.

ON HAND. The total on-hand quantity.

ORDER. Order number.

ITEM. End item number.

WH. The warehouse in which the item will be stocked.

DESCRIPTION. End item description.

REQ DATE. Component required date.

DUE DATE. Order due date.

REQ QTY. The quantity required to complete the order.

REMAINING. The available quantity.

SHORT. Orders with insufficient available quantity (on hand minus allocated), minus pick requirements, are flagged.

DEMAND. The customer order or other top level requirement that generated this manufacturing order or purchase order item. Source of demand information appears only if MRP is installed and interfacing. The user defines the maximum number of demand sources to be printed. Possible values are:

BLENDED The larger of forecast and customer requirements (MSSR=B)

CUSONLY Customer orders (MSSR=C)

Cxxxxxx Customer orders, not combined (MSSR=D or E). The customer order shows in the format of 01-CO-nnnnnnnn.

FORCAST Forecast quantity (MSSR=F)

GENDMND Generated component quantity based on parent planned orders (MSSR not D or E)

Mxxxxxx Manufacturing order number

- MANUAL** Manually entered demand. Source of demand is optional at time of entry (MSSR=M)
 - M FCST** Manual forecast
 - M HELD** Manual held requirement
 - M REQMT** Manual requirement
 - SAFETY** Safety stock
 - NEG QOH** Negative quantity on hand
 - P FCST** Propagated forecast
 - P REQMT** Propagated requirement
 - PRODPLN** Production planned quantity (MSSR=P)
 - Sxxxxxx** Repetitive Manufacturing order, allocated quantity
 - XS FCST** Forecast quantity in excess of customer requirements (MSSR=D)
- NUMBER OF ITEMS.** The number of items on report.
- ITEMS WITH SHORTAGE.** The number of items with shortage.

Items Selected for Physical Inventory/Cycle Count—No Count Entered (AMI5H2)

GATEWAY MFG CO		DATE 12/02/**		TIME 10.51.38	PAGE 1	AMI5H2			
ITEMS SELECTED FOR PHYSICAL INVENTORY/CYCLE COUNT - NO COUNT ENTERED									
WHSE NO.	LOC.	----- ITEM ----- NUMBER DESCRIPTION	CUTOFF U/M QUANTITY	CYCLE CNT CD	LAST SELECT PHYS/CYC	LAST USAGE	ACTUAL COUNT		
LOCATION		BATCH/LOT	FIFO DATE						
DAL	A316	00217	PUMP ASSEMBLY	EA	.000	0	6/30/**	7/15/**
ATL		00217	PUMP ASSEMBLY	EA	3,490.000	4	5/23/**	5/22/**
#	AABBB	BL92	4/10/** -APPROVED		946.000				
	AA01AA	BL92	4/11/** -APPROVED	6.000					
	AA01ABC	BL92	4/16/** -APPROVED		5.000				
TOTAL NUMBER OF ITEMS SELECTED AND NOT COUNTED				2					
# -NOTE- DEFAULT STOCKING LOCATION									

To print this report, use option 5 on the Physical Inventory menu (AMIM50).

This report prints immediately after the Physical Inventory Valuation and Variance report if you choose to print this report on the Variance Report display AMI56A. This report shows items that you selected for physical inventory/cycle count but for which no count was entered. This report can be used as a turnaround document to record the counts of omitted items.

The length of the report depends on the number of items you included when you printed the Physical Inventory List or the Cycle Count List (options 1 and 2 on AMIM50). Selecting an item for printing also marks the item as requiring a physical count.

The item continues to print on this report until you enter a count for it and run the variance report (option 5 on AMIM50).

Note: When a controlled warehouse item is stored in multiple locations, uncounted locations continue to print until you enter at least one count for each location.

Fields

WHSE NO. The warehouse in which the item is located.

LOC. A code indicating an item's location in the warehouse. If you are using controlled warehouses and tailored to not use default locations, no data is printed in this field.

ITEM.

NUMBER. A number which serves to uniquely identify the item.

DESCRIPTION. The description of the item.

U/M. The unit in which the item quantity is expressed.

CUTOFF QUANTITY. The balance on hand at the time the item was selected for counting. (This value does not change).

CYCLE CNT CD. A code indicating when item is to be counted.

LAST SELECT PHYS/CYC. Last selected physical or cycle inventory date.

LAST USAGE. The last date on which an item was transferred from stock.

ACTUAL COUNT. The actual quantity of the item in the warehouse.

LOCATION. The stock location of the item. If you are using default location support and this report is for a controlled warehouse, this field contains the default location taken from the Item Balance file. If you are using an uncontrolled warehouse, no data is printed in this field.

BATCH/LOT. The batch or lot number of the item, if you chose the batch/lot option during application tailoring. If you are using an uncontrolled warehouse, no data is printed in this field.

FIFO DATE. This field appears if you chose the FIFO date option during application tailoring. If you are using an uncontrolled warehouse, no data is printed in this field.

APPROVED. Quality control status of the item.

LIFO/FIFO Inventory Valuation Report (AMI6E)

GATEWAY MFG CO	LIFO INVENTORY VALUATION REPORT	DATE 12/11/**	TIME 15.01.02	PAGE 1	AMI6E
	SEQUENCE BY WAREHOUSE				
	ITEMS FROM 03023	TO 999999999999999			
	ITEM TYPES FROM 4 TO 9				
	ITEM CLASSES FROM 0080 TO 0090				

WH	ITEM NUMBER	DESCRIPTION	ITEM CLASS	ITEM TYPE	U/M	QUANTITY ON HAND	STANDARD UNIT COST	ON HAND COST	VARIANCE
ATL	03023	DISCHARGE FERRULE	0080	4	EA	220.000	.1500	33.00	
	ORDER- P0060	REF- A-8	VENDOR- 413277	DATE- 12/11/**	QTY-	100.000	AMOUNT-		*** NO A
							**** COST ADJUSTMENT TRANSACTIONS ****		
	ORDER- P0060	REF- A-101	VENDOR- 413277	DATE- 12/11/**	QTY-	100.000	AMOUNT-	15.00	
									*** RECEIPT TRANSACTION EXISTS WITH NO AMOUNT - ITEM NOT VALUED
							WAREHOUSE TOTAL-	.00	.00
DAL	05325	CONNECTOR	0080	4	EA	12719.000	.0775	985.72	
	ORDER- P0086	REF-	VENDOR- 036657	DATE- 6/05/**	QTY-	4000.000	AMOUNT-	208.00	102.00
	ORDER- P0086	REF-	VENDOR- 036657	DATE- 6/29/**	QTY-	4000.000	AMOUNT-	240.00	70.00
	ORDER- P0086	REF-	VENDOR- 036657	DATE- 8/02/**	QTY-	4000.000	AMOUNT-	278.00	32.00
	ORDER- P0086	REF-	VENDOR- 036657	DATE- 9/01/**	QTY-	719.000	AMOUNT-	52.12	3.60
							ITEM/WAREHOUSE TOTAL-	778.12	207.60
							ITEM/WAREHOUSE TOTAL-	95.00	93.24-
							WAREHOUSE TOTAL-	21,848.12	402.94-
							REPORT TOTAL-	21,848.12	402.94-

To print this report, use option 2 on the Period Closing Activity menu (AMIM60). The title shows LIFO or FIFO, depending on your selection. The header also includes the warehouse, if one was selected.

If you selected a sequence for the report, it appears in the header:

- Warehouse
- Item number
- Item type
- Item class.

A listing of the ranges of information is printed on the report, based on the limits you specified. Ranges include:

ITEMS FROM and **TO**
ITEM TYPES FROM and **TO**
ITEM CLASSES FROM and **TO** (if active).

The total number of items not valued appears here at the end of the report. The line and quantity do not appear if all items are valued.

Fields

WH. The number of the warehouse in which the item is located.

ITEM NUMBER. A number which serves to uniquely identify the item.

DESCRIPTION. The description of the item.

ITEM CLASS. Code identifying the class for this item according to user-determined classification of items by group.

ITEM TYPE. Valid types are:

F	Feature
0	Phantom
1	Assembly or subassembly
2	Fabricated item
3	Raw material
4	Purchased item
9	User option.

U/M. The unit of measure. The units used to express the item quantity.

QUANTITY ON HAND. Quantity of the item in stock.

STANDARD UNIT COST. The item unit cost based on user-selected accounting method.

ON HAND COST. The value of on hand inventory (quantity on hand multiplied by selected unit cost).

VARIANCE. The transaction amount (transaction quantity x unit cost).

ORDER. The control number for customer, purchase and manufacturing orders.

REF. Any meaningful, user-assigned value.

VENDOR. Vendor number.

DATE. Transaction date.

QTY. Transaction quantity.

AMOUNT. Transaction amount.

ITEM/WAREHOUSE TOTAL. Total transaction amount and variance by item.

WAREHOUSE TOTAL. Total transaction amount and variance by warehouse.

REPORT TOTAL. Final total transaction amount and variance.

LIFO/FIFO Transaction File Edit (AMI6I)

GATEWAY MFG CO

LIFO/FIFO TRANSACTION FILE EDIT
ITEM TYPES FROM F TO 9

DATE 8/10/** TIME 14.59.53 PAGE 1 AMI6I

*** NO TRANSACTION EXISTS IN LIFO/FIFO TRANSACTION FILE FOR THE FOLLOWING ITEMS
THESE ITEMS WILL NOT BE VALUED

WH	ITEM NUMBER	DESCRIPTION	ITEM CLASS	ITEM TYPE	U/M	QUANTITY ON HAND
ATL	02892	LOCK CLIP	0080	4	EA	5000.000
ATL	03010	PLATE	0070	4	EA	7266.000
ATL	03011	THROW-OFF COLLAR	0070	4	EA	15643.000
ATL	03012	SPRING	0084	4	EA	30750.000
DAL	03023	DISCHARGE FERRULE		4	EA	200.000
ATL	03023	DISCHARGE FERRULE	0080	4	EA	10203.000
DAL	03024	SHELL		2	EA	100.000
CIN	03024	SHELL		2	EA	200.000
ATL	03024	SHELL	0050	2	EA	608.000
DAL	03025	PUMP HOUSING ASSEMBLY		1	EA	500.000
CIN	03025	PUMP HOUSING ASSEMBLY		1	EA	350.000
CIN	03025	PUMP HOUSING ASSEMBLY		1	EA	171.000
DAL	03025	PUMP HOUSING ASSEMBLY		1	EA	422.000

To print this report, use option 2 on the Period Closing Activity menu (AMIM60). The header shows the warehouse, if one was selected.

A listing of the ranges of information is printed on the report, based on the limits you specified. Ranges include:

ITEM TYPES FROM and **TO**
ITEMS NUMBERS FROM and **TO**
ITEM CLASSES FROM and **TO** (if active).

Fields

WH. The warehouse in which the item is located.

ITEM NUMBER. A number which serves to uniquely identify the item.

DESCRIPTION. The description of the item.

ITEM CLASS. A user-defined code identifying the class of this item.

ITEM TYPE. Valid types are:

- F** Feature
- 0** Phantom
- 1** Assembly or subassembly
- 2** Fabricated item
- 3** Raw material
- 4** Purchased item
- 9** User option.

U/M. The unit of measure. The units used to express the item quantity.

QUANTITY ON HAND. Quantity of the item in stock.

LIFO/FIFO Transaction File Maintenance Edit List (AMI6H)

GATEWAY MFG CO	LIFO TRANSACTION FILE MAINTENANCE EDIT LIST	DATE 8/10/**	TIME 15.02.50	PAGE 1	AMI6H
*** BEFORE CHANGE ***					
ITEM NO 03023	WAREHOUSE ATL	ORDER NO P0060	TRANS CODE RC	TRANS QTY	100.000
LIFO NO 1	RECORD CD M1	REFERENCE A-8	TRANS DATE 12/11/**	LIFO QTY	100.000
	PURGE CD 0	VENDOR		FIFO QTY	100.000
				TRANS AMT	.00
				LIFO AMT	.00
				FIFO AMT	.00
*** AFTER CHANGE ***					
ITEM NO 03023	WAREHOUSE A	ORDER NO P0060	TRANS CODE RC	TRANS QTY	100.000
LIFO NO 1	RECORD CD M1	REFERENCE A-8	TRANS DATE 12/11/**	LIFO QTY	100.000
	PURGE CD 0	VENDOR		FIFO QTY	100.000
				TRANS AMT	15.00
				LIFO AMT	15.00
				FIFO AMT	.00
TOTAL NUMBER OF RECORDS ADDED				0	
TOTAL NUMBER OF RECORDS CHANGED				1	
TOTAL NUMBER OF RECORDS DELETED				0	

To print this report, use option 4 on the Period Closing Activity menu (AMIM60). The title shows LIFO or FIFO, depending on your selection.

A message appears to indicate the type of maintenance shown on the report:

- Before change
- After change
- After add.

Fields

ITEM NO. A number which serves to uniquely identify the item.

WAREHOUSE. The warehouse in which the item is located.

ORDER NO. The control number for customer, purchase and manufacturing orders.

TRANS CODE. The type of inventory transaction.

TRANS QTY. The quantity of the item associated with this transaction.

TRANS AMT. If a transaction quantity is printed, this is the transaction amount. If no quantity is printed, this is a cost replacement amount.

LIFO NO. The relative record number of transaction in the LIFO/FIFO Transaction Save file.

RECORD CD.

- M1** Receipt transaction
- M2** Cost adjustment transaction
- MX** User-defined transaction

REFERENCE. Any meaningful, user-assigned value.

TRANS DATE. The date the transaction was entered.

LIFO QTY. The portion of the transaction quantity used in calculating the LIFO inventory valuation for this item/warehouse.

LIFO AMT. The portion of the transaction amount used in calculating the inventory valuation for this item/warehouse.

PURGE CD. One of the following:

- 1 LIFO delete
- 2 FIFO delete
- 3 Purge

VENDOR. Vendor number.

FIFO QTY. The portion of the transaction quantity used in calculating the FIFO inventory valuation for this item/warehouse.

FIFO AMT. The portion of the transaction amount used in calculating the inventory valuation for this item/warehouse.

LIFO Transaction Reconciliation (AMI6G)

VALERO IND.	LIFO TRANSACTION RECONCILIATION	DATE 5/17/**	TIME 11.46.05	PAGE 1	AMI6G				
		OPER 13							
	SEQUENCE BY WAREHOUSE ITEMS FROM A								
ORDER NUMBER	REFERENCE	VENDOR	TRANS CODE DATE	TRANS QUANTITY	TO C TRANS AMOUNT	LIFO QUANTITY	LIFO AMOUNT	LIFO NUMBER	
WH- A	ITEM- AIRKIT		AIRCONDITIONER KIT (OPTION)		QTY ON HAND-		CLASS- OP	TYPE- 1	U/M- EA
	M003640		RM 8/15/**	250.000	.0000	.000	.00	1	** NO AMOUNT ** TO BE PURGED
WH- A	ITEM- AUTO		AUTOMATIC TRANS OPTION		QTY ON HAND-		CLASS- 4444	TYPE- 9	U/M- EA
	P000025	001000	RP 8/04/**	80.000	.0000	.000	.00	2	** NO AMOUNT ** TO BE PURGED
WH- A	ITEM- BATTERY		12 VOLT BATTERY		QTY ON HAND-		CLASS- PU	TYPE- 4	U/M- EA
	P000028	000200	RP 8/04/**	480.000	.0000	.000	.00	3	** NO AMOUNT ** TO BE PURGED
	P000113	000400	RP 9/02/**	100.000	.0000	.000	.00	4	** NO AMOUNT ** TO BE PURGED
WH- A	ITEM- BELT		AIR CONDITIONER BELT		QTY ON HAND-	181.000	CLASS- OP	TYPE- 4	U/M- EA
	P000077	000800	RP 9/02/**	280.000	.0000	280.000	.00	5	** NO AMOUNT
	P000104	100000	RP 5/07/**	5.000	.0000	5.000	.00	6	** NO AMOUNT
	P000104	100000	VR 5/07/**	5.000	.0000	5.000	.00	7	** NO AMOUNT
	P000104	100000	RP 5/07/**	200.000	.0000	200.000	.00	8	** NO AMOUNT
	P000104	100000	VR 5/07/91	5.000	.0000	5.000	.00	9	** NO AMOUNT
	P000104	100000	VR 5/07/91	5.000	.0000	5.000	.00	10	** NO AMOUNT
	P000104	100000	VR 5/07/91	1.000	.0000	1.000	.00	11	** NO AMOUNT
	P000104	100000	VR 5/08/91	1.000	.0000	1.000	.00	12	** NO AMOUNT
	P000104	100000	VR 5/08/91	1.000	.0000	1.000	.00	13	** NO AMOUNT
	P000104	100000	VR 5/08/91	1.000	.0000	1.000	.00	14	** NO AMOUNT
	P000104	100000	VR 5/08/91	1.000	.0000	1.000	.00	15	** NO AMOUNT
	P000104	100000	VR 5/08/91	1.000	1.0000	1.000	1.00	16	** NO AMOUNT
	P000104	AAAAAAAAA	VR 5/08/91	1.000	.0000	1.000	.00	17	** NO AMOUNT
	P000104	AAAAAAAAA	VR 5/08/91	1.000	.0000	1.000	.00	18	** NO AMOUNT
	P000104	AAAAAAAAA	VR 5/08/91	1.000	.0000	1.000	.00	19	** NO AMOUNT
WH- A	ITEM- BLACK		INT/EXT COLOR OPTION		QTY ON HAND-		CLASS- OP	TYPE- 4	U/M- EA
	P000029	000300	RP 8/04/88	220.000	.0000	.000	.00	20	** NO AMOUNT ** TO BE PURGED
WH- A	ITEM- BLOCK4		4 CYL ENGINE BLOCK		QTY ON HAND-		CLASS- PU	TYPE- 4	U/M- EA
	P000060	000200	RP 8/02/88	100.000	.0000	.000	.00	21	** NO AMOUNT ** TO BE PURGED
WH- A	ITEM- BLOCK6		6 CYL ENGINE BLOCK		QTY ON HAND-		CLASS- PU	TYPE- 4	U/M- EA
	P000060	000200	RP 8/02/88	25.000	.0000	.000	.00	22	** NO AMOUNT ** TO BE PURGED
WH- A	ITEM- BLOCK8		8 CYL ENGINE BLOCK		QTY ON HAND-		CLASS- PU	TYPE- 4	U/M- EA
	P000060	000200	RP 8/02/88	30.000	.0000	.000	.00	23	** NO AMOUNT ** TO BE PURGED
WH- A	ITEM- BLUE		INT/EXT COLOR OPT (BLUE)		QTY ON HAND-		CLASS- PU	TYPE- 4	U/M- EA
	P000077	000800	RP 9/02/88	20.000	.0000	.000	.00	24	** NO AMOUNT ** TO BE PURGED

20 RECORDS WRITTEN TO TRANSACTION FILE

To print this report, use option 3 on the Period Closing Activity menu (AMIM60). The title shows LIFO or FIFO, depending on your selection. If you selected a sequence for the report, it appears in the header:

- Warehouse number
- Item number
- Item type
- Item class.

The messages on the extreme right of the report indicate the status of the transaction. For example, the transaction does not contain an amount, or the transaction is ready to be purged from the LIFO/FIFO Transaction Save (LIFITR) file.

Fields

ORDER NUMBER. The control number for customer, purchase and manufacturing orders.

REFERENCE. Any meaningful, user-assigned value.

VENDOR. The vendor number.

TRANS CODE. The type of inventory transaction.

TRANS DATE. The date the transaction was entered.

TRANS QUANTITY. The quantity of the item associated with this transaction.

TRANS AMOUNT. If a transaction quantity is printed, this is the transaction amount. If no quantity is printed, this is a cost replacement amount.

LIFO QUANTITY. The portion of the transaction quantity used in calculating the inventory valuation for this item/warehouse.

LIFO AMOUNT. The portion of the transaction amount used in calculating the inventory valuation for this item/warehouse.

LIFO NUMBER. The relative record number of the transaction in the LIFO/FIFO Transaction Save file.

WH. The warehouse in which the item is located.

ITEM. The item description

QTY ON HAND. Quantity of the item in stock.

CLASS. A user-defined code identifying the class for this item.

TYPE. Valid types are:

F	Feature
0	Phantom
1	Assembly or subassembly
2	Fabricated item
3	Raw material
4	Purchased item
9	User option.

U/M. The unit of measure. The units used to express the item quantity.

RECORDS WRITTEN TO TRANSACTION FILE. The number of records written to the LIFO/FIFO transaction save file.

Location Detail (AMIXK)

GATEWAY MFG CO	LOCATION DETAIL	DATE 8/10/**	TIME 16.00.16	PAGE	1 AMIXK
	LOCATION DETAIL FILE	LOCATION QUANTITY FILE	TRANSACTION HISTORY FILE		
SESSION STATUS					
	RECORDS ADDED	3	0	0	
	RECORDS CHANGED	2	0		
	RECORDS DELETED	3			
*** END OF PRINT ***					

To print this report, use option 3 on the Location Control menu (AMIM79).

Fields

RECORDS ADDED. The number of records added to each file during the session.

RECORDS CHANGED. The number of records changed in each file during the session.

RECORDS DELETED. The number of records deleted from each file during the session.

Location Detail—Individual Locations (AMICA)

GATEWAY MFG CO	LOCATION DETAIL	DATE 8/10/**	TIME 16.00.16	PAGE 1	AMICA			
INDIVIDUAL LOCATIONS								
	WH	AISLE	BAY	LEVEL	PALLET SUB	MULTIPLE ITEMS	MULTIPLE LOTS	

*** ADDED ***	ATL	SP	01	3		N	N	
*** BEFORE ***	ATL	BP	25			N	N	
*** AFTER ***	ATL	BP	25			Y	Y	
*** DELETED ***	ATL	BP	29			N	N	
*** ADDED ***	ATL	PRODUCTION LINE LOCATION PL15A						
*** DELETED ***	ATL	PRODUCTION LINE LOCATION PL16D						
GATEWAY MFG CO	LOCATION DETAIL	DATE 8/10/**	TIME 16.00.16	PAGE 2	AMICA			
INDIVIDUAL LOCATIONS								
					LOCATION DETAIL FILE			
SESSION STATUS								
						2		
						2		
						2		
*** END OF PRINT ***								

To print this report, use option 3 on the Location Control menu (AMIM79).

A message appears to indicate the type of maintenance shown on the report:

- ADDED
- BEFORE
- AFTER
- DELETED.

Fields

WH. The warehouse where the item is stored.

AISLE. The aisle where the item is stored.

BAY. The bay where the item is stored.

LEVEL. The level where the item is stored.

PALLET. The pallet where the item is stored.

SUB. The subdivision where the item is stored.

MULTIPLE ITEMS. Multiple items code (Y/N).

MULTIPLE LOTS. Multiple lots code (Y/N).

PRODUCTION LINE LOCATION. This location replaces the stock location when REP and IM are interfacing.

SESSION STATUS.

RECORDS ADDED. The number of records added to the file during the session.

RECORDS CHANGED. The number of records changed in the file during the session.

RECORDS DELETED. The number of records deleted from the file during the session.

Location Detail—Location Quantities (AMIZD)

GATEWAY MFG CO		LOCATION DETAIL				8/10/**	TIME 16.00.16	PAGE 1	AMIZD
LOCATION QUANTITIES									
ITEM	WH	LOCATION	QUANTITY	U/M	BATCH/LOT	FIFO DATE	QC TYPE	REASON	GRN

*** BEFORE ***									
800	ATL	A101A1	112.000	LB	BL507	7/07/**			
*** AFTER ***									
800	ATL	A101A1	615.000	LB	BL507	7/07/**			

GATEWAY MFG CO		LOCATION DETAIL				8/10/**	TIME 16.00.16	PAGE 2	AMIZD
LOCATION QUANTITIES									
		LOCATION QUANTITY FILE			TRANSACTION HISTORY FILE				
SESSION STATUS									
		RECORDS ADDED	0		1				
		RECORDS CHANGED	1						
*** END OF PRINT ***									

To print this report, use option 3 on the Location Control menu (AMIM79).

The type of maintenance done on a particular record is indicated before each record:

- ADDED
- BEFORE
- AFTER
- DELETED.

Fields

ITEM. The number of the item involved in the transaction.

WH. The warehouse where the item is located.

LOCATION. The stock location code.

QUANTITY. The quantity of the item in the location.

U/M. The unit of measure.

BATCH/LOT. Batch or lot number.

FIFO DATE. If FIFO control is not active, this field shows the original transaction date.

QC TYPE. This field appears only if QC control is active. It is the quality control type description corresponding to the code entered on the Location Quantities (Add/Change) display (AMIZD2). One of the following appears:

WAITING The item is waiting for inspection on receipt.
QC DUE The item is waiting for inspection due to expiration of shelf life.
CHECKED The item is within shelf life; inspection not yet required.
REJECT The item is rejected, waiting disposal or rework.
N/A The item does not have shelf life.

REASON. A user-defined reason.

GRN. This field appears only if the GRN option is active. The GRN number appears.

SESSION STATUS.

RECORDS ADDED. The number of records added to each file during the session.

RECORDS CHANGED. The number of records changed in each file during the session.

Location Detail—Multiple Locations (AMICB)

GATEWAY MFG CO	LOCATION DETAIL	DATE 8/10/**	TIME 16.00.16	PAGE 1	AMICB		
		OPER 33					
MULTIPLE LOCATIONS							
WH	AISLE	BAY	LEVEL	PALLET	SUB	MULTIPLE ITEMS	MULTIPLE LOTS
*** ADDED ***	ATL	SP	11	A		N	N
*** ADDED ***	ATL	SP	11	B		N	N
*** ADDED ***	ATL	SP	11	C		N	N
*** DELETED ***	ATL	B8	01	B	4	N	N
*** DELETED ***	ATL	B8	01	B	5	N	N
*** DELETED ***	ATL	B8	01	B	6	N	N
*** ADDED ***	ATL			LINE LOCATION PL07A			
*** ADDED ***	ATL			LINE LOCATION PL08A			
*** DELETED ***	ATL			LINE LOCATION PL13C			
*** DELETED ***	ATL			LINE LOCATION PL13D			

GATEWAY MFG CO	LOCATION DETAIL	DATE 8/10/**	TIME 16.00.16	PAGE 2	AMICB
		OPER 33			
MULTIPLE LOCATIONS					
LOCATION DETAIL FILE					
SESSION STATUS					
	RECORDS ADDED				5
	RECORDS DELETED				5
*** END OF PRINT ***					

To print this report, use option 3 on the Location Control menu (AMIM79).

The type of maintenance done is indicated by each record:

- ADDED
- BEFORE
- AFTER
- DELETED.

Fields

WH. The warehouse where the item is located.

AISLE. The aisle where the item is located.

BAY. The bay where the item is located.

LEVEL. The level where the item is located.

PALLET. The pallet where the item is located.

SUB. The subdivision where the item is located.

MULTIPLE ITEMS. Multiple items code (Y/N).

MULTIPLE LOTS. Multiple lots code (Y/N).

PRODUCTION LINE LOCATION. This location replaces the stock location when REP and IM are interfacing.

SESSION STATUS.

RECORDS ADDED. The number of records added to the file during the session.

RECORDS DELETED. The number of records deleted from the file during the session.

EXCEPTION. Shows the exception messages.

STK LOC. Stock location, as stored in the Location Detail file.

BATCH/LOT. Batch or lot number.

FIFO DATE. The date the item was received at the stock location.

ERROR. Any errors are listed here.

Location Stock Status—Detail (AMISD)

GATEWAY MFG CO		LOCATION STOCK STATUS - DETAIL				DATE 8/10/**	TIME 16.00.16	PAGE 1	AMISD
		WAREHOUSE ALL							
		ITEM FROM BEGINNING		TO END					
ITEM	DESCRIPTION	U/	LI	ORDER/	FIFO	QC			
		WH /M	STK LOC	SCHEDULE	DATE	BATCH/LOT	QC TYPE	DUE DATE	GRN
50001	RED PENS	ATL	B1EE4T	15.000	2/04/**		N/A		
		ATL	B1EE4F	20.000	2/04/**		N/A		
		ATL	B1EE4H	10.000	2/04/**		N/A		
	TOTAL STOCK APPROVED		45.000		CYCLIC QC DUE/OVERDUE		0.000		
	TOTAL STOCK		45.000		QC REJECTS		0.000		
	PERCENTAGE OF TOTAL APPROVED		100.00 %		WAITING QC INSPECTION		0.000		
100100	BRIEFCASE	ATL EA	B1EE4G	10.000	1/23/**	BLI			
	8/01/**	ATL	A1AA2U	20.000	PBAM100	5/23/**	QC DUE		
	8/01/**	ATL	BT32	1.000	PBARB10	5/23/**			GRN#-123-4567-89032-345-67
	8/01/**								
	TOTAL STOCK APPROVED		0.000		CYCLIC QC DUE/OVERDUE				31.000
	TOTAL STOCK		31.000		QC REJECTS				0.000
	PERCENTAGE OF TOTAL APPROVED		.00%		WAITING QC INSPECTION				0.000
100102	CASE BOTTOM		EA	**NONE APPROVED**					

*** END OF PRINT ***

To print this report, use option 2 on the Status/Analysis Reports menu (AMIM21).

A line in the header reflects the code you typed on the Select display (AMISE1). If no code was entered, ALL appears.

Fields

ITEM FROM-TO. The range of item numbers selected on display (AMISE1) appears. If no range was entered, BEGINNING to END appears.

ITEM. The item number.

DESCRIPTION. The description of the item.

WH. This field appears only when the warehouse selection for the report is ALL.

U/M. The stocking unit of measure.

STK LOC. Stock location, as stored in the Location Detail file. This field shows data only if the item is currently in stock. If not, the message NONE APPROVED appears.

LINE. If Repetitive is installed and interfacing, L is printed in this field if the location field is a line location. This field shows data only if the item is currently in stock. If not, the message NONE APPROVED appears.

QUANTITY. The number of items in this location. This field shows data only if the item is currently in stock. If not, the message NONE APPROVED appears.

ORDER/SCHEDULE. If Repetitive is installed and interfacing, the schedule or order number is printed in this field. This field shows data only if the item is currently in stock. If not, the message NONE APPROVED appears.

FIFO DATE. The date the item was received in stock, whether at approved or unapproved status. This field shows data only if the item is currently in stock. If not, the message NONE APPROVED appears.

BATCH/LOT. Batch or lot number. This field shows data only if the item is currently in stock. If not, the message NONE APPROVED appears.

QC TYPE. This field appears only if quality control is active. For quality control items, one of the following appears:

WAITING Item is waiting for inspection on receipt.

QC DUE Item is waiting for inspection due to expired shelf life.

CHECKED Inspection not currently required, item is within shelf life.

REJECT Item is rejected, waiting disposal or rework.

N/A Quality control inspection not applicable for this item.

QC DUE DATE. The date the item is due for quality control inspection. This field only appears if quality control is active and applies to QC Due and Checked types only.

GRN. Goods Received Note. This field appears only if the GRN option is active. If a GRN has been assigned to the item, the GRN number appears.

TOTAL STOCK APPROVED. The sum of all QC item types N/A and checked.

TOTAL STOCK. The sum of all QC item types.

PERCENTAGE OF TOTAL APPROVED. The total stock approved divided by the total stock.

CYCLIC QC DUE/OVERDUE. The sum of all QC item types that have QC Due.

QC REJECTS. The sum of all QC item types that have been rejected.

WAITING QC INSPECTION. The sum of all QC item types waiting inspection.

Location Stock Status—Summary Report (AMISF)

ITEM	DESCRIPTION	WAREHOUSE - ALL ITEM FROM BEGINNING WH U/M	WAITING QC	TO END CYCLIC QC OVERDUE	QC REJECT	APPROVED STOCK	TOTAL STOCK	PERCENT APPROVED
200209	LEFT LOCK	ATL EA	.000	.000	.000	1,039.000	1,039.000	100.00 %
		DAL	60.000	.000	.000	155.000	215.000	72.09 %
		ALL	60.000	.000	.000	1,194.000	1,254.000	95.21 %
200210	RIGHT LOCK	ALL EA	.000	.000	.000	.000	.000	.00 %
200223	BROWN DYE	ATL CS	105.000	664.000	53.000	942.000	1,764.000	53.40 %
		ALL	105.000	664.000	53.000	942.000	1,764.000	53.40 %
200225	NAVY DYE	ALL CS	.000	.000	.000	.000	.000	.00 %
200226	BEIGE DYE	ATL CS	50.000	50.000	375.000	.000	475.000	.00 %
		ALL	50.000	50.000	375.000	.000	475.000	.00 %
200227	GRAY DYE	ATL CS	.000	100.000	.000	.000	100.000	.00 %
		ALL	.000	100.000	.000	.000	100.000	.00 %

*** END OF PRINT ***

To print this report, use option 2 on the Status/Analysis Reports menu (AMIM21).

A line in the header reflects the code you typed on the Select display (AMISE1). If no code was entered, ALL appears.

A listing of the ranges of items is printed on the report, based on the limits you specified on the Select display (AMISE1). If you did not specify limits, **BEGINNING** and **END** appear. The range is **ITEM FROM** and **TO**.

Fields

ITEM FROM-TO. If no range was entered, **BEGINNING** to **END** appears.

ITEM. The item number.

DESCRIPTION. The description of the item.

WH. This field appears only when the warehouse selection for the report is ALL. Totals appear for each warehouse and cumulatively for all warehouses for each item. If no stock currently exists for the item, only one line appears for the item, under the heading ALL.

U/M. The stocking unit of measure.

WAITING QC. The quantity that is waiting for quality control inspection.

CYCLIC QC OVERDUE. The quantity that is past its quality control inspection date.

QC REJECT. The quantity that has been rejected by quality control.

APPROVED STOCK. The sum of all QC item types N/A and checked.

TOTAL STOCK. The sum of all QC item types.

PERCENT APPROVED. The approved stock divided by the total stock.

Locations and Contents (AMIWH)

GATEWAY MFG CO		LOCATIONS AND CONTENTS-WAREHOUSE ALL				DATE 8/10/**	TIME 16.00.16	PAGE	1	AMIWH	
		LOCATIONS FROM BEGINNING TO END									
		LINE LOCATIONS				INCLUDED					
WH/LOCATION	TYPE	MULTI ITM/LTS	ITEM	DESCRIPTION	QUANTITY	U/M	FIFO	DATE	GRN	BATCH/LOT	QC TYPE
ATL AAAA	MAIN	N N	EMPTY								
ATL AAAAS	MAIN	N N	200208	HARDBOARD	1.000	EA		6/12/**		BL1	N/A
									GRN23		
ATL AAAAS1	MAIN	N N	EMPTY								
ATL A1AA2A	MAIN	N N	100104	FRONT POCKET	50.000	EA		8/27/**		BL1	N/A
ATL A1AA2B	MAIN	N N	200209	LEFT LOCK	80.000	EA		8/27/**			N/A
ATL A1AA2C	MAIN	N N	200209	LEFT LOCK	67.000	EA		8/29/**			N/A
ATL A1AA2D	MAIN	N N	200223	BROWN DYE	280.000	CS		8/27/**		BL70	CHECKED
			200223	BROWN DYE	150.000	CS		1/15/**	G401	BL-88	CHECKED
ATL A1AA2E	MAIN	Y N	200223	BROWN DYE	49.000	CS		8/29/**		BL20	CHECKED
									G402		
ATL A1AA2F	MAIN	N N	100145	PART FOR INSIDE POCKET	100.000	EA		8/27/**		BL101	N/A
									G405		
ATL A1AA2G	MAIN	N N	100161	LIN PKT 1	84.000	EA		8/23/**		BL310	QC DUE
			100161	LIN PKT 1	100.000	EA		1/15/**		BL310	CHECKED
ATL A1AA2H	MAIN	N N	200200	LEATHER	75.000	EA		9/14/**			N/A
									G405		
ATL A1AA2H1	SUB	Y Y									N/A
ATL A1AA2H2	SUB	Y Y									N/A
ATL A1AA2T	MAIN	N N	200200	LEATHER	9.000	EA		5/22/**		BL998	WAITING
ATL BE08	MAIN	N N	100145	PART FOR INSIDE POCKET	20.000	EA		9/07/**		BL220	REJECT
ATL FLNA10	LINE	Y Y	EMPTY								
ATL FLNA20	LINE	Y Y	EMPTY								

*** END OF PRINT ***

To print this report, use option 5 on the File Listings menu (AMIM23).

A line in the header reflects the code you typed on the Select display (AMIX71). If no code was entered, ALL appears.

Fields

WH/LOCATION. The warehouse code typed in on the Select display (AMIX71) appears.

TYPE. One of the following appears:

MAIN Main location

SUB Subdivision of main location

LINE Line location (if REP is installed and interfacing)

MULTI ITM. Either of the following appears:

- Y** Multiple items are allowed for this location.
- N** Multiple items are not allowed for this location.

MULTI LTS. Either of the following appears:

- Y** Multiple lots are allowed for this location.
- N** Multiple lots are not allowed for this location.

ITEM. The number of the item found in each location. If no item is found in a location, EMPTY appears. If a main division contains an item, its subdivisions are not available for use and N/A appears. Likewise, if a subdivision contains an item, its main division is not available for use and N/A appears.

DESCRIPTION. The description of the item.

QUANTITY. The total quantity of items in the location, including the items that are waiting for inspection.

U/M. The stocking unit of measure.

FIFO DATE. The date the item is received in stock, whether at approved or unapproved status.

GRN. Goods received note number.

BATCH/LOT. Batch or lot number.

QC TYPE. This field appears only if quality control is active. One of the following appears:

- WAITING** Item is waiting for inspection on receipt.
- QC DUE** Item is waiting for inspection due to expired shelf life.
- CHECKED** Inspection not currently required; item is within shelf life.
- REJECT** Item is rejected, waiting disposal or rework.
- N/A** Quality control inspection not applicable for this item.

Maintain Intercompany Accounts Register—AMVG1

MDQ FIVE INC.		NO. 01		MAINTAIN INTERCOMPANY ACCOUNTS REGISTER		DATE	8/06/**	TIME	17.15.51	PAGE	1	AMVG1
						OPER						
ACTION	----	PRIMARY COMPANY-----	----	SECONDARY COMPANY-----	----							
	NUMBER	ACCOUNT	NUMBER	ACCOUNT								
CHANGE												
BEFORE	1	950	2	950								
AFTER	1	900	2	900								
CHANGE												
BEFORE	2	960	1	960								
AFTER	2	990	1	990								
RECORDS ADDED	. . . :	0										
RECORDS CHANGED	. . . :	2										
RECORDS DELETED	. . . :	0										

To print this report, use option 7 on the Account Assignment Rule Management menu. This report prints the changes you made on the Maintain Intercompany Accounts display (AMVG102). It provides an audit trail of those records in the Intercompany Account file.

Fields

ACTION. Kind of maintenance performed. The BEFORE and AFTER images print for each record that has a CHANGE action.

PRIMARY COMPANY NUMBER. Number of the company designated as the central company. The charge of an intercompany transaction is posted to the primary company and account.

This company receives the charge balancing entries when you post multiple company transactions to General Ledger.

PRIMARY COMPANY ACCOUNT. Account number for the company designated as the central company.

This account receives the charge balancing entries when you post multiple company transactions to General Ledger.

SECONDARY COMPANY NUMBER. All companies other than the primary company, when using intercompany accounting.

This company receives the offset balancing entries when you post multiple company transactions to General Ledger.

SECONDARY COMPANY ACCOUNT. Account number for each company other than the primary company.

This account receives the offset balancing entries when you post multiple company transactions to General Ledger.

RECORDS ADDED. Number of records added during this session.

RECORDS CHANGED. [Number of records changed during this session.](#)

RECORDS DELETED. [Number of records deleted during this session.](#)

Maintain Interface Control File Register (AMVLI)

MDQ FIVE INC.	MAINTAIN INTERFACE CONTROL FILE REGISTER	DATE OPER	8/06/**	TIME 17.06.29	PAGE	1 AMVLI
TYPE	DESCRIPTION		CODE			ACTION
CN	Component transfer to stores		1			BEFORE
CN	Component transfer to store		1			AFTER
CR	Average cost to replace		1			BEFORE
CR	Average cost replace		1			AFTER
CS	Standard cost to replace		1			BEFORE
CS	Standard cost replace		1			AFTER
IA	Inventory adjustments		1			BEFORE
IA	Inventory adjustment		1			AFTER
IP	Planned manufacture issues		1			BEFORE
IP	Planned manufacture issue		1			AFTER
IS	Miscellaneous issues		1			BEFORE
IS	Miscellaneous issue		1			AFTER
IU	Unplanned component issues		1			BEFORE
IU	Unplanned component issue		1			AFTER
IW	Interwarehouse issues		1			BEFORE
IW	Interwarehouse issue		1			AFTER

RECORDS CHANGED . . . : 8

This report prints when you select option 4 on the General Ledger Management menu. It prints the changes you make to the transaction descriptions on the Maintain Interface Control File display (AMVLI01). These descriptions are stored in the Ledger Interface Transaction Description (LITDES) file.

Fields

TYPE. Code that indicates the kind of transaction.

For IM, the transaction types are:

- CA** Cost adjustment
- CL** Component transfer to line
- CN** Component transfer to stores
- CR** Average cost replace
- CS** Standard cost replace
- CU** Standard unit cost default replacement
- IA** Inventory adjustment
- IP** Planned manufacture issue
- IS** Miscellaneous issue
- IU** Unplanned component issue
- IW** Interwarehouse issue
- IX** Uncontrolled floor stock
- MQ** Manufacturing item QC complete
- PH** Physical inventory update
- PQ** Purchase item QC complete
- RC** Miscellaneous receipt
- RM** Production receipt
- RP** P.O. receipt to stock

RQ Shelf life expired - reject
RS Component return to stock
RW Interwarehouse receipt
SA Sales shipment
SC Manufacturing component scrap
SM Manufacturing order scrap
SP Purchase order scrap
SQ QC status change
SS Scrap from stock
VR Purchase return to vendor

For MMS, the transaction types are:

CA Cost adjustment
IA Inventory adjustment
IP Planned manufacture issue
IW Interwarehouse issue
RP P.O. receipt to stock
RW Interwarehouse receipt
SP Purchase order scrap
VR Purchase return to vendor

For COM, specific and general transaction types are:

CILI Cost of sales - inventory items
CILN Cost of sales - noninventory items
CILS Cost of sales - special charges
CIL* Cost invoices - inventory/noninventory items
CI** Cost invoices - all items
CRLI Cost relief - inventory returns
CRLN Cost relief - noninventory returns
CRLS Cost relief - special charge returns
CRL* Cost returns - inventory/noninventory items
CR** Cost returns - all items
C*** Cost - all
RALI Allowances - inventory items
RALN Allowances - noninventory items
RALS Allowances - special charges
RALT Allowances - taxes
RAL* Revenue allowance - inventory/noninventory items
RA** Revenue allowance - all items
RILI Invoices - inventory items
RILN Invoices - noninventory items
RILS Invoices - special charges
RILT Invoices - taxes
RIL* Revenue invoices - inventory/noninventory
RI** Revenue invoice - all items
RRLI Returns - inventory items
RRLN Returns - noninventory items
RRLS Returns - special charges
RRLT Returns - taxes
RRL* Revenue returns - inventory/noninventory
RR** Revenue returns - all items
R*** Revenue - all

For PC&C, specific and general transaction types are:

LMAC Machine cost
LOHD Overhead cost

LRAP	Outside operation cost
LRPA	Run labor from Payroll
LRSA	Run labor from Shop Activity
LR**	Run labor - all
LSPA	Setup labor from Payroll
LSSA	Setup labor from Shop Activity
LS**	Labor setup - all
L***	Labor - all
MCAP	Miscellaneous charges - Accounts Payable
MCSA	Miscellaneous charges - Shop Activity
M***	Miscellaneous charges - all
SCRP	Scrap cost
VCLO	Variances - order closeout
VEAC	Miscellaneous charge cost variance
VE**	Miscellaneous charge variances
VMCS	Material cost variance
VMUS	Material usage variance
VM**	Material variances
VOCO	Overhead cost variance
VOUS	Overhead efficiency variance
VO**	Overhead variances
VRCO	Run labor cost variance
VRCO	Run labor cost variance
VRUS	Run labor efficiency variance
VR**	Run variances
VSCO	Setup labor cost variance
VSUS	Setup labor efficiency variance
VS**	Setup variances
V***	Variances - all

For REP, the transaction types are:

RMAC	Machine cost
ROHD	Overhead
RRUN	Run labor cost
RSET	Setup labor
RVAR	Variance - Schedule Closeout

DESCRIPTION. Description of the transaction type.

CODE. Code that indicates how a record is used:

- 0** Not active. The application will not create transactions for the ledger interface.
- 1** Active. The application will create transactions for the ledger interface.
- 2** Generalized. The transaction type is used for defining account assignment rules that apply to multiple transaction types. Applies to COM and PC&C only.

ACTION. Only a CHANGE action can be performed in the records in the Interface Control file. The register shows you the record as it existed BEFORE it was changed and the record as it exists AFTER the change.

RECORDS CHANGED. Number of records changed during this session.

Maintain Rule Priorities Register (AMIG6)

ACTION		TRANSACTION TYPE	SEQUENCE	WAREHOUSE	NUMBER	TYPE	ITEM CLASS	ACCOUNT/CLASS	NUMBER	ORDER	ACTG CLASS	REASON CODE
ADD	CA		110						1		1	
ADD	CA		120	1								1
ADD	CA		130	1							1	
ADD	CA		140	1	1							1
ADD	CA		130	1	1	1					1	
CHANGE												
BEFORE	IP		240	1								
AFTER	IP		240									
RECORDS ADDED	. . . :		5									
RECORDS CHANGED	. . . :		1									
RECORDS DELETED	. . . :		0									

This report prints when you select option 2 on the Account Assignment Rule Management menu and select at least one record for maintenance. This report prints all of the changes you make to the Account Assignment Priorities file. A 1 in a field indicates that the field will be used in prioritizing a rule or rules when assigning accounts to transactions.

Fields

ACTION. Kind of maintenance performed. This field shows an addition, change, or deletion to a record.

The before and after images print for each record that has a CHANGE action.

TRANSACTION TYPE. Code that indicates the kind of transaction.

For IM, the transaction types are:

- CA** Cost adjustment
- CL** Component transfer to line
- CN** Component transfer to stores
- CR** Average cost replace
- CS** Standard cost replace
- CU** Standard unit cost default replacement
- IA** Inventory adjustment
- IP** Planned manufacture issue
- IS** Miscellaneous issue
- IU** Unplanned component issue
- IW** Interwarehouse issue
- IX** Uncontrolled floor stock
- MQ** Manufacturing item QC complete
- PH** Physical inventory update
- PQ** Purchase item QC complete
- RC** Miscellaneous receipt
- RM** Production receipt

RP	P.O. receipt to stock
RQ	Shelf life expired - reject
RS	Component return to stock
RW	Interwarehouse receipt
SA	Sales shipment
SC	Manufacturing component scrap
SM	Manufacturing order scrap
SP	Purchase order scrap
SQ	QC status change
SS	Scrap from stock
VR	Purchase return to vendor

SEQUENCE. User-assigned number that controls the order in which each priority for a transaction type is used when assigning account numbers.

WAREHOUSE. Code defined by your company that identifies the warehouse in which this item is currently stocked.

ITEM NUMBER. Number of the item, which can be any raw material, manufactured or purchased part, subassembly, assembly, or end item.

ITEM TYPE. Code that best describes the type of item:

0	Phantom
1	Assembly or subassembly
2	Fabricated item
3	Raw material
4	Purchased item
9	User option
F	Feature
K	Kit

ITEM CLASS. Code assigned by your company that identifies the class to which this item belongs. For example, STEL might mean items made of steel.

ITEM ACCOUNT/CLASS. Class, defined by your company, to group or classify items for accounting purposes.

ORDER NUMBER. Control number assigned to the order.

Purchase order

A request sent to a vendor asking for goods or services. Has a prefix of 'P'.

Manufacturing order

An order issued to the factory to produce a component or assembly. Has a prefix of 'M'.

Schedule order

An authorization to produce an item on a specific production line over a specific time period. Has a prefix of 'S'.

ORDER ACTG CLASS. Class, defined by your company, to group or classify orders for accounting purposes.

REASON CODE. Code assigned by your company that indicates the reason for a transaction.

Contents	Index	Exit
--------------------------	-----------------------	----------------------

RECORDS ADDED. [Number of records added during this session.](#)

RECORDS CHANGED. [Number of records changed during this session.](#)

RECORDS DELETED. [Number of records deleted during this session.](#)

Maintain Rules Register (AMIG5)

MDQ FIVE INC.			NO. 01				MAINTAIN RULES REGISTER			DATE	8/06/**	TIME	17.06.29	PAGE	1	AMIG5
OPER 4																
ACTION	TXN TYPE	WAREHOUSE	----- NUMBER	ITEM TYPE	CLASS	ACTG CLASS	----- NUMBER	ORDER ACTG CLASS	REASON CODE							
ADD	CA															
		CHARGE	COMPANY / ACCOUNT	1	999											
		OFFSET	COMPANY / ACCOUNT	1	999											
		VARIANCE	COMPANY / ACCOUNT	1	999											
ADD	CA						007	002								
		CHARGE	COMPANY / ACCOUNT	2	411											
		OFFSET	COMPANY / ACCOUNT													
		VARIANCE	COMPANY / ACCOUNT													
ADD	CA	001														
		CHARGE	COMPANY / ACCOUNT	1	40											
		OFFSET	COMPANY / ACCOUNT	1	930											
		VARIANCE	COMPANY / ACCOUNT													
ADD	CA	001													SAMPLE	
		CHARGE	COMPANY / ACCOUNT	1	550											
		OFFSET	COMPANY / ACCOUNT													
		VARIANCE	COMPANY / ACCOUNT													
ADD	CA	001						001								
		CHARGE	COMPANY / ACCOUNT	1	401											
		OFFSET	COMPANY / ACCOUNT													
		VARIANCE	COMPANY / ACCOUNT													
DELETE	CA	001														
		CHARGE	COMPANY / ACCOUNT	1	40											
		OFFSET	COMPANY / ACCOUNT	1	930											
		VARIANCE	COMPANY / ACCOUNT													

MDQ FIVE INC.			NO. 01				MAINTAIN RULES REGISTER			DATE	8/06/**	TIME	17.06.29	PAGE	2	AMIG5
OPER 4																
ACTION	TXN TYPE	WAREHOUSE	----- NUMBER	ITEM TYPE	CLASS	ACTG CLASS	----- NUMBER	ORDER ACTG CLASS	REASON CODE							
ADD	IA															
		CHARGE	COMPANY / ACCOUNT	1	40											
		OFFSET	COMPANY / ACCOUNT	1	401											
		VARIANCE	COMPANY / ACCOUNT													
RECORDS ADDED	. . . :			6												
RECORDS CHANGED	. . . :			0												
RECORDS DELETED	. . . :			1												

This report prints when you select option 1 on the Account Assignment Rule Management menu and select at least one record for maintenance. This report prints all of the changes you make to the Account Assignment file. When you print this report from this application, the report shows the number of records added, changed, or deleted.

If IFM is installed and you answered 'yes' to the GL interface question during application tailoring, the company and account fields for Charge, Offset, and Variance are replaced by units and natures fields.

Fields

ACTION. Kind of maintenance performed. This field shows an addition, change, or deletion to a record.

TXN TYPE. Code that indicates the kind of transaction.

For IM, the transaction types are:

CA	Cost adjustment
CL	Component transfer to line
CN	Component transfer to stores
CR	Average cost replace
CS	Standard cost replace
CU	Standard unit cost default replacement
IA	Inventory adjustment
IP	Planned manufacture issue
IS	Miscellaneous issue
IU	Unplanned component issue
IW	Interwarehouse issue
IX	Uncontrolled floor stock
MQ	Manufacturing item QC complete
PH	Physical inventory update
PQ	Purchase item QC complete
RC	Miscellaneous receipt
RM	Production receipt
RP	P.O. receipt to stock
RQ	Shelf life expired - reject
RS	Component return to stock
RW	Interwarehouse receipt
SA	Sales shipment
SC	Manufacturing component scrap
SM	Manufacturing order scrap
SP	Purchase order scrap
SQ	QC status change
SS	Scrap from stock
VR	Purchase return to vendor

WAREHOUSE. Code defined by your company that identifies the warehouse in which this item is currently stocked.

ITEM NUMBER. Number of the item, which can be any raw material, manufactured or purchased part, subassembly, assembly, or end item.

ITEM TYPE. Code that best describes the type of item:

0	Phantom
1	Assembly or subassembly
2	Fabricated item
3	Raw material
4	Purchased item
9	User option
F	Feature
K	Kit

ITEM CLASS. Code assigned by your company that identifies the class to which this item belongs. For example, STEL might mean items made of steel.

ITEM ACTG CLASS. Class, defined by your company, to group or classify items for accounting purposes.

ORDER NUMBER. Control number assigned to the order.

Purchase order

A request sent to a vendor asking for goods or services. Has a prefix of 'P'.

Manufacturing order

An order issued to the factory to produce a component or assembly. Has a prefix of 'M'.

Schedule order

An authorization to produce an item on a specific production line over a specific time period. Has a prefix of 'S'.

ORDER ACTG CLASS. Class, defined by your company, to group or classify orders for accounting purposes.

REASON CODE. Code assigned by your company that indicates the reason for a transaction.

CHARGE. Company and account number combination to receive the charge associated with a specific transaction type.

COMPANY.

Unique identifier for a particular company.

This company is assigned to receive the charge amount of the transaction record based upon the rules and priorities you defined in your Account Assignment and Account Sequences files.

ACCOUNT.

Account number to be assigned to the charge transaction.

This account number is assigned as the charge account type for the transaction based upon the rules and priorities you defined.

Note: If International Financial Management (IFM) is installed and you answered 'yes' to the GL interface, unit and nature appear fields appear instead of company and account fields. Refer to the IFM User's Guide for additional information.

OFFSET. Company and account number combination to receive the offset associated with a specific transaction type.

COMPANY.

Unique identifier for a particular company.

This company is assigned to receive the offset amount of the transaction record based upon the rules and priorities you defined in your Account Assignment and Account Sequences files.

ACCOUNT.

[Account number to be assigned to the offset transaction.](#)

Note: If International Financial Management (IFM) is installed and you answered 'yes' to the GL interface, unit and nature appear fields appear instead of company and account fields. Refer to the *IFM User's Guide* for additional information.

VARIANCE. [Company and account number combination to receive the variance associated with a specific transaction type.](#)

COMPANY.

[Unique identifier for a particular company.](#)

This account number is assigned as the variance account type for the transaction based upon the rules and priorities you defined.

ACCOUNT.

[Account number to be assigned to the variance transaction.](#)

Note: If International Financial Management (IFM) is installed and you answered YES to the GL interface, unit and nature appear fields appear instead of company and account fields. Refer to the *IFM User's Guide* for additional information.

RECORDS ADDED. [Number of records added during this session.](#)

RECORDS CHANGED. [Number of records changed during this session.](#)

RECORDS DELETED. [Number of records deleted during this session.](#)

Manufacture Order Shortage Report--Follow-Up Analysis (AMI4W4)

ORDER/SCHED	ITEM	WH	DESCRIPTION	PLANNER	START DATE	DUE DATE	QTY OPEN	STATUS	JOB NO	
GATEWAY MFG CO										
MANUFACTURE ORDER SHORTAGE REPORT										
--- FOLLOW-UP ANALYSIS ---										
					DATE 2/08/**		TIME 11.17.00	PAGE 1	AMI4W4	
					OPER M4					
					SCHEDULED RECEIPTS-		INCLUDED			
					MANUFACTURE REQUIREMENTS-		INCLUDED			
					COMPLETED MFG ORDERS-		INCLUDED			
					CUSTOMER REQUIREMENTS-		NOT INCLUDED			
					SCHEDULE ORDERS		INCLUDED			
					PLANNER NUMBERS FROM		TO			

M000230	PLSDKS	ATL	PLASTIC DUCKS	0	2/01/**	2/01/**	107,172.727	40	01-C00045739	
REVISION 12										
DEMAND: P REQMT										
01-C0000006/0030000/00001 P REQMT										
M FCST M REQMT SAFETY										
COMPONENT	WH	DESCRIPTION	TYP	REQ DATE	UNISSUED	QUANTITY SHORT	JIT			
BLUPNT	ATL	BLUE PAINT	4	2/01/**	10,717.273	9,304.273		SHORT	***	
PLSPEL	ATL	PLASTIC PELLETS	4	2/01/**	107,172.727	107,172.727		SHORT	***	
SLTSOL	ATL	SOLIDIFYING SOLUTION	4	2/01/**	107,172.727	107,172.727		SHORT	***	
YELPNT	ATL	DAISY YELLOW PAINT	4	2/01/**	35,367.000	25,270.500		SHORT	***	
RESELTP	ATL	REINFORCED SEALING TAPE	4	2/01/**	10,717.273					

M000240	PLSDKS	ATL	PLASTIC DUCKS	0	2/08/**	2/08/**	10.000	10		
DEMAND: P REQMT										
COMPONENT	WH	DESCRIPTION	TYP	REQ DATE	REQ QTY	QUANTITY SHORT	JIT			
BLUPNT	ATL	BLUE PAINT	4	2/08/**	1.000	1.000		SHORT	***	
REVISION 123										
PLSPEL	ATL	PLASTIC PELLETS	4	2/08/**	10.000	10.000		SHORT	***	
SLTSOL	ATL	SOLIDIFYING SOLUTION	4	2/08/**	10.000	10.000		SHORT	***	
YELPNT	ATL	DAISY YELLOW PAINT	4	2/08/**	3.300	3.300		SHORT	***	
RESELTP	ATL	REINFORCED SEALING TAPE	4	2/08/**	1.000					

M000250	PLSDKS	ATL	PLASTIC DUCKS	0	2/08/**	1/15/**	10.000	10		
COMPONENT	WH	DESCRIPTION	TYP	REQ DATE	REQ QTY	QUANTITY SHORT	JIT			
BLUPNT	ATL	BLUE PAINT	4	2/08/**	1.000	1.000		SHORT	***	
REVISION 123										
PLSPEL	ATL	PLASTIC PELLETS	4	2/08/**	10.000	10.000		SHORT	***	
SLTSOL	ATL	SOLIDIFYING SOLUTION	4	2/08/**	10.000	10.000		SHORT	***	
YELPNT	ATL	DAISY YELLOW PAINT	4	2/08/**	3.300	3.300		SHORT	***	
RESELTP	ATL	REINFORCED SEALING TAPE	4	2/08/**	1.000					

NUMBER OF ORDERS PRINTED -			3	ORDERS SHORT -			3			

To print this report, use option 3 on the Inventory Reports menu (AMIM22).

Note: This report is time-phased. The shortage quantities are calculated using the actual detail of allocations and scheduled receipts by scheduled date.

Fields

ORDERS WHICH ARE SHORT. Option to print only orders which are short or only orders which are not short, if selected.

SCHEDULED RECEIPTS INCLUDED/NOT INCLUDED. Indicates whether scheduled receipt quantities are included in the calculations for **QUANTITY SHORT**, and is based on your response for **SCHEDULED RECEIPTS** on display AMI2P2.

MANUFACTURE REQUIREMENTS INCLUDED/NOT INCLUDED. Indicates whether manufacturing allocated quantities are included in the calculations for **QUANTITY SHORT**, and is based on your response for **REQUIREMENTS INCLUDED** on display AMI2P1.

COMPLETED MFG ORDERS INCLUDED/NOT INCLUDED. Indicates whether completed manufacturing orders (no open quantity) are included in the calculations for **QUANTITY SHORT**, and is based on the response you entered for **COMPLETED MFG ORDERS** on display AMI2P1.

CUSTOMER REQUIREMENTS INCLUDED/NOT INCLUDED. Indicates whether quantities allocated to or backordered on customer orders are included in the calculations for **QUANTITY SHORT**, and is based on your response for **REQUIREMENTS INCLUDED** on display AMI2P1.

SCHEDULE ORDERS INCLUDED/NOT INCLUDED. Indicates whether allocated quantities from schedules are included in the calculations for **QUANTITY SHORT** if Repetitive is interfacing, and is based on your responses for **SCHEDULES** and **REQUIREMENTS INCLUDED** on display AMI2P1.

PLANNER NUMBERS FROM/TO. Appears only if you entered planner numbers on the Follow-up Shortage Report Limits display (AMI2P3).

ORDER. The schedule number (if Repetitive is installed and interfacing)

ITEM. Item number.

REVISION. Identifier of the revision associated with this parent item. This field appears only if EPDM is activated.

WH. The warehouse in which the item will be stocked.

DESCRIPTION. The description of the end item.

PLANNER. A code identifying the person responsible for planning the replenishment strategy of this item.

START DATE. The scheduled start date if the order status is 10; actual start date if the order status is 40 or 50.

DUE DATE. The date the item is due to stock.

ORDER QTY. The quantity of the end item to be manufactured for an order with order status of 10.

STATUS. The possible status values of orders which can appear on this report are:

- 10** Released, but no activity reported.
- 40** Order started; material, outside operations, labor, machine or miscellaneous charges transaction processed.
- 50** PC&C has reported the order as complete (outside operations, labor, machine, and miscellaneous charges); IM material receipt to stock has not been reported as complete.

DEMAND. The customer order or other top level requirement that generated this manufacturing order or purchase order item. Source of demand information appears only if MRP is installed and interfacing. The user defines the maximum number of demand sources to be printed. Possible values are:

BLENDED The larger of forecast and customer requirements (MSSR=B)

CUSONLY Customer orders (MSSR=C)

Cxxxxxx Customer orders, not combined (MSSR=D or E). The customer order shows in the format of 01-CO-nnnnnnnn.

FORCAST Forecast quantity (MSSR=F)

GENDMND Generated component quantity based on parent planned orders (MSSR not D or E)

Mxxxxxx Manufacturing order number

MANUAL Manually entered demand. Source of demand is optional at time of entry (MSSR=M)

M FCST Manual forecast

M HELD Manual held requirement

M REQMT Manual requirement

SAFETY Safety stock

NEG QOH Negative quantity on hand

P FCST Propagated forecast

P REQMT Propagated requirement

PRODPLN Production planned quantity (MSSR=P)

Sxxxxxx Repetitive Manufacturing order, allocated quantity

XS FCST Forecast quantity in excess of customer requirements (MSSR=D)

JOB NO. The number of the customer order for which this end item is being manufactured.

COMPONENT. Component item number.

WH. The warehouse in which the item is stocked.

REVISION. Identifier of the revision associated with this component item. This field appears only if EPDM is activated.

DESCRIPTION. The description of the component item.

TYP. Valid types are:

F	Feature
0	Phantom
1	Assembly or subassembly
2	Fabricated item
3	Raw material
4	Purchased item
9	User option

REQ DATE. Component required date.

REQ QTY. The total quantity required if order status is 10.

QUANTITY SHORT. The additional quantity necessary to complete this order and all other orders which require this component prior to this component's required date,

including customer orders if they were selected to be included and considering scheduled receipts if they were selected to be included.

JIT. This field contains a Y if the supply location and the line location are the same for the component item.

Note: This field only appears is Repetitive is installed and interfacing.

SHORT. This field identifies components with insufficient available quantity (on hand minus previous requirements plus previous scheduled receipts).

ON THIS ORDER xxx.xxx CAN BE MADE. The number of end items that can be made with available components. (This message is printed only if the order status is 10 and if some end items can be made. It is not printed if all or none of the end items can be made.)

QTY OPEN. The portion of the order quantity that is yet to be received to stock for an order with order status of 40 or 50.

UNISSUED. The portion of the required quantity that is yet to be issued from stock for an order with order status of 40 or 50.

NUMBER OF ORDERS PRINTED. Total orders selected for this run.

ORDERS SHORT. This field prints only if the option to print orders which are short or orders which are not short was selected.

Manufacturing Items Waiting Inspection (AMIQB1)

NORTHCREEK IND.		MANUFACTURING ITEMS WAITING INSPECTION			DATE 8/10/** TIME 16.00.16			PAGE 1	AMIQB1
WAREHOUSE - ALL									
WH	ITEM	DESCRIPTION	QUANTITY	U/M	BATCH/LOT	STK LOC	LINE	FIFO DATE	
ATL	100104	FRONT POCKET	50.000	EA		BIEE4A		6/03/**	
ATL	100121	PART FOR CASE TOP	8.000	EA		QC 01		5/22/**	
*** END OF PRINT ***									

To print this report, use option 5 on the Inventory Reports menu (AMIM22).

A line in the header reflects the code you typed on the Select display (AMIQA1). If no code was entered, ALL appears.

Fields

WH. The warehouse code associated with each item listed.

ITEM. Item number.

DESCRIPTION. The description of the item.

QUANTITY. The number of items waiting for inspection.

U/M. The stocking unit of measure.

BATCH/LOT. The batch or lot number.

STK LOC. The stock location, as stored in the Location Detail file.

LINE. If Repetitive is installed and interfacing, L is printed in this field if the location field is a line location. This field shows data only if the item is currently in stock. If not, the message NONE APPROVED appears.

FIFO DATE. The date the item was received in stock, whether at approved or unapproved status.

I

Manufacturing Order Detail File Maintenance Edit List (AMI7E)

GATEWAY MFG CO	MANUFACTURING ORDER DETAIL	DATE 5/31/**	TIME 14.34.03	PAGE 1	AMI7E						
FILE MAINTENANCE EDIT LIST											
ORDER NO	FINISHED ITEM	WH	REVISION	DESCRIPTION	STATUS						
M000170	26006-20	ATL	123	TANK 8 BY 12 INCHES	10						
	COMPONENT	03426		WAREHOUSE ATL CLASS 0050	2,000.000						
** BEFORE **	DESCRIPTION		TUBE 8 IN DIA		9/30/**						
	TOTAL QUANTITY		2,000.000	USER SEQUENCE	8/06/**						
	ADJ QTY PER		1.0000000	DATE LAST MAINTAINED							
	STD QTY PER		1.0000000		*** CHANGED ***						
	UNIT COST		3.5000								
	REQUIRED DATE		8/06/**								
	LAST ISSUE DATE		0/00/00								
	CUSTOMER JOB NUMBER		01-C00000001								
	OPERATION WHERE USED		0010								
	STOCK LOCATION		B120								
	UNIT OF MEASURE		EA								
	FLOOR STOCK CODE <C/U>										
	USER SEQUENCE										
	REVISION										
** AFTER **	DESCRIPTION		TUBE 8 IN DIA		8/06/**						
	TOTAL QUANTITY		2,000.000	DATE LAST MAINTAINED							
	ADJ QTY PER		2.0000000								
	STD QTY PER		2.0000000								
	UNIT COST		3.5000000								
	REQUIRED DATE		8/06/**								
	LAST ISSUE DATE		0/00/00								
	CUSTOMER JOB NUMBER		01-C00000001								
	OPERATION WHERE USED		0010								
	STOCK LOCATION		B120								
	UNIT OF MEASURE		EA								
	FLOOR STOCK CODE <C/U>										
	USER SEQUENCE										
	REVISION										
<table border="0" style="width: 100%;"> <tr> <td>TOTAL NUMBER OF RECORDS ADDED</td> <td style="text-align: right;">0</td> </tr> <tr> <td>TOTAL NUMBER OF RECORDS CHANGED</td> <td style="text-align: right;">1</td> </tr> <tr> <td>TOTAL NUMBER OF RECORDS DELETED</td> <td style="text-align: right;">0</td> </tr> </table>						TOTAL NUMBER OF RECORDS ADDED	0	TOTAL NUMBER OF RECORDS CHANGED	1	TOTAL NUMBER OF RECORDS DELETED	0
TOTAL NUMBER OF RECORDS ADDED	0										
TOTAL NUMBER OF RECORDS CHANGED	1										
TOTAL NUMBER OF RECORDS DELETED	0										

To print this report, use option 6 on the File Maintenance menu (AMIM70).

The type of maintenance performed is indicated by each record.

- ADDED
- BEFORE
- AFTER
- DELETED.

Fields

ORDER NO. The control number for manufacturing orders.

FINISHED ITEM. The number for the finished item.

WH. The warehouse in which the item is located.

REVISION. Identifier of the revision associated with this parents item. This field appears only if EPDM is interfacing.

DESCRIPTION. The description of the finished item.

STATUS. Values can be any of the following:

- 10** Released, but no activity reported
- 40** Order started; material, outside operations, labor, machine or miscellaneous charges transaction processed
- 45** IM material receipt to stock has been reported as complete; PC&C has not reported the order as complete (outside operations, labor, machine, and miscellaneous charges)
- 50** PC&C has reported the order as complete (outside operations, labor, machine, and miscellaneous charges); IM material receipt to stock has not been reported as complete
- 55** Order complete; includes all material, outside operations, labor, machine, and miscellaneous charges
- 99** Order canceled; no activity has been reported.

ORDER QTY. The quantity of the end item to be manufactured for an order with order status of 10.

DUE DATE. Required. The date an item is required to be in inventory.

COMPONENT. Component item number.

WAREHOUSE. The warehouse in which the item is stocked.

CLASS. An alphanumeric value. This is assigned to each item to group them into categories that are meaningful in your business and that can be used for sales analysis. PDM allows costing simulations to be run based on percent of change in purchase cost by item class.

USER SEQUENCE. The user sequence number of the component item in the bill of material.

DESCRIPTION. The description of the component item.

DATE LAST MAINTAINED. The date of last record maintenance.

TOTAL QUANTITY. The number of components on order.

ADJ QTY PER. The adjusted quantity per (adjusted for yield) of this component required for each finished item.

STD QTY PER. The standard quantity per (not adjusted for yield) of this component required for each finished item.

UNIT COST. The cost per unit of the end item to be manufactured for the order. The cost can be entered manually or calculated from receipts by average, standard, or last cost methods. If the calculated cost is 0 (zero), the unit cost (CSTPC) in the Manufacturing Order Master file is not changed by the order. (This field appears only if PC&C is installed and interfacing.)

REQUIRED DATE. The date the component item must be available to the shop floor for the order.

LAST ISSUE DATE. Automatically updated by every issue transaction.

CUSTOMER JOB NUMBER. This field relates this manufacturing order to a specific customer job number.

OPERATION WHERE USED. The manufacturing step within an order routing where this component is first used.

STOCK LOCATION. The code that indicates the component's location in the warehouse.

UNIT OF MEASURE. The unit of measure used for the issue quantity for this component item.

FLOOR STOCK CODE. The floor stock number for this item. Valid codes are:

blank This item is not floor stock.
C This item is controlled floor stock.
U This item is uncontrolled floor stock.

USER SEQUENCE. The user sequence number of the component item in the bill of material.

REVISION. The identifier of the revision associated with this component item. This field appears only if EPDM is interfacing.

TOTAL NUMBER OF RECORDS.

- ADDED
- CHANGED
- DELETED.

Manufacturing Order Master Maintenance Edit List (AMI7D)

NORTHCREEK IND.		MANUFACTURING ORDER MASTER MAINTENANCE EDIT LIST		DATE 2/08/**	TIME 17.36.19	PAGE 1	AMI7D
ORDER NO	ITEM NUMBER	WH	REVISION	OPER M4		UPDATE# 6	
M000230	PLSDKS	ATL	12			*** CHANGED ***	
** BEFORE **							
	DESCRIPTION		PLASTIC DUCKS	ORDER STATUS		40	
	ENGINEERING DRAWING			MANAGEMENT PRIORITY			
	ORDER QUANTITY	107172.727		DEPARTMENT NUMBER		REP4	
	QUANTITY DEVIATION	.000		STOCK LOCATION		A1B121	
	QUANTITY RECEIVED	.000		JOB NUMBER			
	SCRAP QUANTITY	.000		REFERENCE NUMBER			
	SPLIT ORDER QTY	.000		PLANNER			
	SCHEDULE START DATE	2/01/**		ORD ACTG CLS			
	ACTUAL START DATE	0/00/00		RESCHEDULE CODE		0	
	DUE DATE	2/01/**		UNIT COST			.00000000
	LAST ACTIVITY DATE	0/00/00					
	DATE LAST MAINTAINED	2/08/**					
** AFTER **							
	DESCRIPTION		PLASTIC DUCKS	ORDER STATUS		40	
	ENGINEERING DRAWING			MANAGEMENT PRIORITY			
	ORDER QUANTITY	107172.727		DEPARTMENT NUMBER		REP4	
	QUANTITY DEVIATION	.000		STOCK LOCATION		A1B121	
	QUANTITY RECEIVED	.000		JOB NUMBER			
	SCRAP QUANTITY	.000		REFERENCE NUMBER			
	SPLIT ORDER QTY	.000		PLANNER			
	SCHEDULE START DATE	2/01/**		ORD ACTG CLS			
	ACTUAL START DATE	0/00/00		RESCHEDULE CODE		1	
	DUE DATE	2/01/**		UNIT COST			.00000000
	LAST ACTIVITY DATE	0/00/00					
	DATE LAST MAINTAINED	2/08/**					
TOTAL NUMBER OF RECORDS CHANGED			1				
TOTAL NUMBER OF RECORDS CANCELED			0				
TOTAL NUMBER OF RECORDS REACTIVATED			0				
*** END OF PRINT ***							

To print this report, use option 5 on the File Maintenance menu (AMIM70).

The type of maintenance performed is indicated by each record.

- ADDED
- BEFORE
- AFTER
- DELETED.

Fields

ORDER NO. The control number for manufacturing orders.

ITEM NUMBER. A number which serves to uniquely identify an item.

WH. The warehouse in which the item is located.

REVISION. The identifier of the revision associated with this parent item. This field appears only if EPDM is interfacing.

DESCRIPTION. The item description.

ORDER STATUS. Order status-values are:

10 Released, but no activity reported

- 40** Order started; material, outside operations, labor, machine or miscellaneous charges transaction processed
- 45** IM material receipt to stock has been reported as complete; PC&C has not reported the order as complete (outside operations, labor, machine, and miscellaneous charges)
- 50** PC&C has reported the order as complete (outside operations, labor, machine, and miscellaneous charges); IM material receipt to stock has not been reported as complete
- 55** Order complete; includes all material, outside operations, labor, machine, and miscellaneous charges
- 99** Order cancelled; no activity has been reported.

ENGINEERING DRAWING. The engineering drawing number.

ORDER QUANTITY. The quantity needed by the due date for the order to be complete.

MANAGEMENT PRIORITY. The code to identify high priority orders. The higher the value, the higher the priority.

QUANTITY DEVIATION. The user-maintained deviation from the original order quantity.

Note: If activity has been reported on the manufacturing order (order status greater than 10), the original order quantity cannot be maintained. However, a positive or negative deviation quantity may be specified. A positive deviation quantity will effectively increase the open quantity of the manufacturing order end item. A negative deviation quantity will effectively decrease the open quantity of the end item. Specifying a deviation quantity in the Manufacturing Order Master record of a manufacturing order whose status is 40 or 50 (activity started, but material is incomplete) will correspondingly adjust the component required quantity in the Manufacturing Order Detail records of the manufacturing order and the Item Balance file allocations of the affected components.

DEPARTMENT NUMBER. The department associated with this order.

QUANTITY RECEIVED. The quantity placed into stock.

STOCK LOCATION. A code indicating the item's location in the warehouse.

SCRAP QUANTITY. The quantity scrapped from the order.

JOB NUMBER. This field relates this manufacturing order to a specific customer job number.

SPLIT ORDER QTY. The quantity removed from the base order quantity for split orders.

REFERENCE NUMBER. Any meaningful, user-assigned value.

SCHEDULE START DATE. The date when the order was scheduled to start the first operation.

PLANNER. A code identifying the person responsible for planning the replenishment strategy of this item.

ACTUAL START DATE. The actual date the order was started.

ORD ACTG CLS. [Class, defined by your company, to group or classify orders for accounting purposes.](#)

DUE DATE. The date an item is required to be in inventory.

RESCHEDULE CODE. Code used to indicate whether or not an individual manufacturing order or purchase order line item can be rescheduled automatically by the system.

- 0** Default to item reschedule code. This is the default.
- 1** Cannot be rescheduled automatically
- 2** Can be scheduled out
- 3** Can be scheduled in
- 4** Can be scheduled both out and in

LAST ACTIVITY DATE. The date of last activity on this release.

UNIT COST. Item unit cost based on user-selected accounting method.

DATE LAST MAINTAINED. The date this record was last maintained.

TOTAL NUMBER OF RECORDS.

- CHANGED
- CANCELED
- REACTIVATED

Manufacturing Order Status Report (AMI2E)

GATEWAY MFG CO OPER		MANUFACTURING ORDER STATUS REPORT					DATE 8/31/** TIME 9.42.15 PAGE 1 AMI2E								
		SEQUENCE BY ITEM													
		ITEMS FROM 01000		TO 01000											
		START DATES FROM 2/22/**			TO 2/22/**										
ORDER NUMBER	ITEM CLASS	ITEM NUMBER	WH	ORDER NO.	STATUS	SCH	START DATE	LAST TRAN	DUE	U/M	ORDERED	OPEN	SCRAP	UNISSUED	STK LOC
		DESCRIPTION	ENGINEERING	PLANNER	REFERENCE	CUST	JOB	SPLIT	ORD.	RECEIVED			DEVIATION		
M000630	0010	01000	ATL	10			9/20/**	0/00/00	9/30/**	OZ	64,000.000	64,000.000			A099***
		STRAWBERRY SHAMPOO	PX00080*****		01000		*****	*****	*****	.000	*****	.000	*****	.000	*****
		COMPONENT	WH	DESCRIPTION			LAST TRAN	REQUIRED	U/M	REQUIRED	ISSUED	SCRAP	UNISSUED		
01410		ATL SODIUM C14-16 OLEFIN SULFONAT				0/00/00	9/20/**	LB	539.386	.000	.000	539.386			
01414		ATL DL-PANTHENOL				0/00/00	9/20/**	LB	2.330	.000	.000	2.330			
01416		ATL AMMONIUM LAUREL ETHER SULFATE				0/00/00	9/20/**	LB	226.490	.000	.000	226.490			
01424		ATL FORMALDEHYDE				0/00/00	9/20/**	LB	18.682	.000	.000	18.682			
01428		ATL LACTIC ACID				0/00/00	9/20/**	LB	4.666	.000	.000	4.666			
		CTL FL STK													
01430		ATL HYDROLYZED ANIMAL PROTEIN				0/00/00	9/20/**	LB	11.668	.000	.000	11.668			
01432		ATL PEG-15 TALLOW POLYAMINE				0/00/00	9/20/**	LB	4.666	.000	.000	4.666			
01436		ATL SODIUM CHLORIDE				0/00/00	9/20/**	LB	46.701	.000	.000	46.701			
01448		ATL L-8614, STRAWBERRY FRAGRANCE				0/00/00	9/20/**	LB	12.135	.000	.000	12.135			
01450		ATL WATER - PURIFIED				9/05/**	9/20/**	GL	428.410	428.410	.000				
		UNCTL FL STK													
01452		ATL FD													
&C RED #4 DYE				0/00/00	9/20/**	GM	64.544	.000	.000	64.544					

To print this report, use option 4 or option 5 on the Status/Analysis Reports menu (AMIM21).

A code appears in the header that identifies the person responsible for planning the replenishment strategy of this item. If you selected a sequence for the report, it appears in the header:

- Due date
- Item
- Planner/due date
- Planner/item
- Planner/start date
- Start date.

A listing of the ranges of information is printed on the report, based on the limits you specified. Ranges include:

- **ITEMS FROM** and **TO**
- **START DATES FROM** and **TO**
- **DUE DATES BEFORE**
- **% UNDER VARIANCE**
- **% OVER VARIANCE.**

Fields

ORDER NUMBER. The control number for manufacturing orders.

ITEM CLASS. A user-defined code identifying the class for this item.

ITEM NUMBER. A number which serves to uniquely identify an item.

WH NO. The warehouse in which the item is located.

ORDER STATUS. The possible status values of orders which can appear on this report are:

- 10** Released, but no activity reported.
- 40** Order started; material, outside operations, labor, machine or miscellaneous charges transaction processed.
- 45** IM material receipt to stock has been reported as complete; PC&C has not reported the order as complete (outside operations, labor, machine, and miscellaneous charges).
- 50** PC&C has reported the order as complete (outside operations, labor, machine, and miscellaneous charges); IM material receipt to stock has not been reported as complete.
- 55** Order complete; includes all material, outside operations, labor, machine, and miscellaneous charges
- 99** Order canceled; no activity has been reported.

An asterisk (*) indicates an order selected for closeout.

DATE.

SCH START DATE. The date when the order was scheduled to start the first operation.

LAST TRAN DATE. The date of last activity.

DUE DATE. The date the item is required to be in inventory.

U/M. The units used to express the item quantity.

QUANTITY.

ORDERED. The quantity needed by the due date for the order to be complete

OPEN. The remaining quantity yet to be received into stock on the order ($QRQTY + QTDEV - QTSPL - QTSCP - QTYRC$). If yield is applied to the order, actual scrap is not subtracted from the order quantity until it exceeds the planned order scrap.

STK LOC. A code identifying the item's location in the warehouse.

DESCRIPTION. The description for this component item.

ENGINEERING DWG. The engineering drawing number.

PLANNER. A code identifying the person responsible for planning the replenishment strategy of this item.

REFERENCE. Any meaningful, user-assigned value.

CUST JOB. The customer job number.

SPLIT ORD. The quantity removed from the base order quantity for split orders.

RECEIVED. The received order quantity.

SCRAP. The scrap quantity.

DEVIATION. The user-maintained deviation from the original order quantity.

Note: If activity has been reported on the manufacturing order (order status greater than 10), the original order quantity cannot be maintained. However, a positive or negative deviation quantity may be specified. A positive deviation quantity will effectively increase the open quantity of the manufacturing order end item. A negative deviation quantity will effectively decrease the open quantity of the end item. Specifying a deviation quantity in the Manufacturing Order Master record of a manufacturing order whose status is 40 or 50 (activity started, but material is incomplete) will correspondingly adjust the component required quantity in the Manufacturing Order Detail records of the manufacturing order and the Item Balance file allocations of the affected components.

COMPONENT.

- Item number
- Warehouse number
- Item description
- Last transaction date
- Date required
- Unit of measure
- Quantity required
- Quantity issued
- Quantity scrapped
- Quantity unissued—equals quantity required minus quantity issued.

Note: The quantity scrapped is not added to the quantity unissued, as the scrapping of a component does not affect the quantity allocated for that component.

CTL FL STK. The previous item is controlled floor stock.

UNCTL FL STK. The previous item is uncontrolled floor stock.

Manufacturing Orders Closed (AMI402)

GLENRIDGE, INC.		MANUFACTURING ORDERS CLOSED										TIME 17.19.51	PAGE 1	AMI402		
ORDER NUMBER	ITEM CLASS	ITEM NUMBER	WH NO.	REV	ORDER STATUS	SCH	START	LAST	TRAN	DUE	U/M	ORDERED	OPEN	RECEIVED	STK	LOC
DESCRIPTION		REVISION	ENGINEERING		DWG.	PLANNER	REFERENCE	CUST JOB		SPLIT ORD.		SCRAP		DEVIATION		
M000300	FI	PLSDKS	ATL	40	2/08/**	2/08/**	11/25/**	EA	10.000	.000	.000	.000	.000	.000	A1B121	
PLASTIC DUCKS		123	ROUTING ID:		VERSION:											
ALT. BOM ID:																
DEMAND: P REQMT		M FCST		M REQMT												
01-C00000006/0030000/00001		01-C00000006/0030000/00002		01-C00000006/0030000/00003												
M000310	FI	PLSDKS	ATL	40	2/08/**	2/08/**	12/15/**	EA	10.000	.000	.000	.000	.000	.000	A1B121	
PLASTIC DUCKS		21	ROUTING ID:		VERSION:											
ALT. BOM ID:																
DEMAND: P REQMT																
TOTAL NUMBER OF ORDERS SELECTED		2														

To print this report, use option 6 on the Order Release and Closeout menu (AMIM40).

Fields

ORDER NUMBER. The control number for manufacturing orders.

ITEM CLASS. A user-defined code identifying the class for this item.

ITEM NUMBER. A number which serves to uniquely identify an item.

WH NO. The warehouse in which the item is located.

ORDER STATUS. The possible status values of orders which can appear on this report are:

- 10** Released, but no activity reported.
- 40** Order started; material, outside operations, labor, machine or miscellaneous charges transaction processed.
- 45** IM material receipt to stock has been reported as complete; PC&C has not reported the order as complete (outside operations, labor, machine, and miscellaneous charges).
- 50** PC&C has reported the order as complete (outside operations, labor, machine, and miscellaneous charges); IM material receipt to stock has not been reported as complete.
- 55** Order complete; includes all material, outside operations, labor, machine, and miscellaneous charges.
- 99** Order canceled; no activity has been reported.

DATE.

SCH START. The date when the order was scheduled to start the first operation.

LAST TRAN DATE. The date of last activity.

DUE DATE. The date when the item is required to be in inventory.

U/M. The unit of measure. The units used to express the item quantity.

QUANTITY.

ORDERED. The quantity needed by the due date for the order to be complete.

OPEN. The remaining quantity yet to be received into stock on the order (ORQTY + QTDEV - QTSP - QTSCP - QTYRC). If yield is applied to the order, actual scrap is not subtracted from the order quantity until it exceeds the planned order scrap.

DESCRIPTION. The description of the item.

REVISION. The identifier of the revision associated with this parent item. This field appears only if EPDM is activated.

ENGINEERING DWG. The manufacturing order's end item's engineering drawing number, entered during order release.

PLANNER. A code identifying the person responsible for planning the replenishment strategy of this item.

REFERENCE. Any meaningful, user-assigned value.

CUST JOB. This field relates this manufacturing order to a specific customer job number.

SPLIT ORD. The quantity removed from the base order quantity for split orders.

RECEIVED. The quantity received to stock.

SCRAP. The quantity scrapped from the order.

STK LOC. A user-defined code identifying the item's location in the warehouse.

DEVIATION. The user-maintained deviation from the original order quantity.

Note: If activity has been reported on the manufacturing order (order status greater than 10), the original order quantity cannot be maintained. However, a positive or negative deviation quantity may be specified. A positive deviation quantity will effectively increase the open quantity of the manufacturing order end item. A negative deviation quantity will effectively decrease the open quantity of the end item. Specifying a deviation quantity in the master record of a manufacturing order whose status is 40 or 50 (activity started, but material is incomplete) will correspondingly adjust the component required quantity in the Manufacturing Order Detail records of the manufacturing order and the Item Balance file allocations of the affected components.

DEMAND. The customer order or other top level requirement that generated this manufacturing order or purchase order item. Source of demand information appears only if MRP is installed and interfacing. The user defines the maximum number of demand sources to be printed. Possible values are:

BLENDED The larger of forecast and customer requirements (MSSR=B)

CUSONLY Customer orders (MSSR=C)

Cxxxxxx Customer orders, not combined (MSSR=D or E). The customer order shows in the format of 01-CO-nnnnnnnn.

FORCAST Forecast quantity (MSSR=F)

GENDMND Generated component quantity based on parent planned orders (MSSR not D or E)

Mxxxxxx Manufacturing order number

MANUAL Manually entered demand. Source of demand is optional at time of entry (MSSR=M)

M FCST Manual forecast

M HELD Manual held requirement

M REQMT Manual requirement

SAFETY Safety stock

NEG QOH Negative quantity on hand

P FCST Propagated forecast

P REQMT Propagated requirement

PRODPLN Production planned quantity (MSSR=P)

Sxxxxxx Repetitive Manufacturing order, allocated quantity

XS FCST Forecast quantity in excess of customer requirements (MSSR=D)

ATL. BOM ID (Alternate BoM ID). The alternate bill of material identifier for this manufacturing order. This field appears only if EPDM is activated or PDM is interfacing.

ROUTING ID. The routing identifier for this manufacturing order. This field appears only if EPDM is activated or PDM is interfacing.

VERSION. The routing version for this manufacturing order. This field appears only if EPDM is activated or PDM is interfacing.

Manufacturing Orders Released (AMI401)

GLENRIDGE, INC.		MANUFACTURING ORDERS RELEASED										TIME 17.12.23	PAGE 1	AMI401
												DATE 2/08/**		
												OPER M4		
												-----QUANTITY-----		
ORDER NUMBER	ITEM CLASS	ITEM NUMBER	WH NO.	ORDER STATUS	SCH START	DATE LAST	TRAN DUE	U/M	ORDERED	OPEN	STK LOC			
DESCRIPTION		REVISION	ENGINEERING DWG. PLANNER		REFERENCE	CUST JOB								
M000300	FI	PLSDKS	ATL	10	2/08/**	0/00/00	11/25/**	EA	10.000	10.000	A1B121			
PLASTIC DUCKS		123												
DEMAND: P REQMT				M FCST			M REQMT			SAFETY				
		01-C00000006/0030000/00001	01-C00000006/0030000/00002		01-C00000006/0030000/00003									
M000310	FI	PLSDKS	ATL	10	2/08/**	0/00/00	12/15/**	EA	10.000	10.000	A1B121			
PLASTIC DUCKS		21												
DEMAND: P REQMT														
ALT. BOM ID:		ROUTING ID: MPA101		VERSION:										
TOTAL NUMBER OF ORDERS SELECTED				2										

To print this report, use option 2 or option 3 on the Order Release and Closeout menu (AMIM40).

Fields

ORDER NUMBER. The control number for manufacturing orders.

ITEM CLASS. A code identifying the class for this item.

ITEM NUMBER. The item number of the manufacturing order's end item.

WH NO. The warehouse in which the item is located.

ORDER STATUS. The possible status values of orders which can appear on this report are:

- 10** Released, but no activity reported
- 40** Order started; material, outside operations, labor, machine or miscellaneous charges transaction processed.
- 45** IM material receipt to stock has been reported as complete; PC&C has not reported the order as complete (outside operations, labor, machine, and miscellaneous charges).
- 50** PC&C has reported the order as complete (outside operations, labor, machine, and miscellaneous charges); IM material receipt to stock has not been reported as complete.
- 55** Order complete; includes all material, outside operations, labor, machine, and miscellaneous charges.
- 99** Order canceled; no activity has been reported.

DATE.

SCH START. The scheduled start date of the item.

LAST TRAN. The date of last activity.

DUE. The date the item is required to be in inventory.

U/M. The unit of measure. The units used to express the item quantity.

QUANTITY.

ORDERED. The quantity needed by the due date for the order to be complete.

OPEN. The remaining quantity yet to be received into stock on the order (QRQTY + QTDEV - QTSP - QTSCP - wQTYRC). If yield is applied to the order, actual scrap is not subtracted from the order quantity until it exceeds the planned order scrap.

DESCRIPTION. The description of the item.

REVISION. The identifier of the revision associated with this parent item. This field appears only if EPDM is activated.

ENGINEERING DWG. The engineering drawing number.

PLANNER. A code identifying the person responsible for planning the replenishment strategy of this item.

REFERENCE. Any meaningful, user-assigned value.

CUST JOB. This field relates this manufacturing order to a specific customer job number.

STK LOC. A user-assigned code identifying the item's location in the warehouse.

DEMAND. The customer order or other top level requirement that generated this manufacturing order or purchase order item. Source of demand information appears only if MRP is installed and interfacing. The user defines the maximum number of demand sources to be printed. Possible values are:

BLENDED The larger of forecast and customer requirements (MSSR=B)

CUSONLY Customer orders (MSSR=C)

Cxxxxxx Customer orders, not combined (MSSR=D or E). The customer order shows in the format of 01-CO-nnnnnnnn.

FORECAST Forecast quantity (MSSR=F)

GENDMND Generated component quantity based on parent planned orders (MSSR not D or E)

Mxxxxxx Manufacturing order number

MANUAL Manually entered demand. Source of demand is optional at time of entry (MSSR=M)

M FCST Manual forecast

M HELD Manual held requirement

M REQMT Manual requirement

SAFETY Safety stock

NEG QOH Negative quantity on hand

P FCST Propagated forecast

P REQMT Propagated requirement

PRODPLN Production planned quantity (MSSR=P)

Sxxxxxx Repetitive Manufacturing order, allocated quantity

XS FCST Forecast quantity in excess of customer requirements (MSSR=D)

ATL. BOM ID (Alternate BoM ID). The alternate bill of material identifier for this manufacturing order. This field appears only if EPDM is activated or PDM is interfacing.

ROUTING ID. The routing identifier for this manufacturing order. This field appears only if EPDM is activated or PDM is interfacing.

VERSION. The routing version for this manufacturing order. This field appears only if EPDM is activated or PDM is interfacing.

ADJUSTED QUANTITY. The quantity calculated by using this formula: Order Quantity + Deviation Quantity = Split Quantity.

START DATE. The scheduled date for an order to begin. The order start date can only be specified in the IM order release or Manufacture Order Master file maintenance procedures. (This field appears when PC&C and IM are interfacing.)

LAST TRANS DATE. The date of last activity on the order. (This field appears when PC&C and IM are interfacing.)

DUE DATE. The date an item is required to be in inventory. (This field appears when PC&C and IM are interfacing.)

QTY IN SPLITS. The quantity of the original order quantity included in split orders.

CUSTOMER JOB NUMBER. This field relates this manufacturing order to a specific customer job number.

WAREHOUSE STOCK LOC. The manufacturing order's end item stock location in the warehouse.

ENGINEERING DRAWING NUMBER. The manufacturing order's end item's engineering drawing number, entered during order release.

MULTI-ORD REFERENCE. A code used to group manufacturing orders for reporting purposes. Orders can be categorized for sub-totals on the summary reports or selected together by this grouping in a detail reporting run. The grouping can be different from the customer job number and item number grouping, but these groupings have to be specified manually in IM's order entry or Manufacture Order Master file maintenance procedures.

PLANNER. A code identifying the person responsible for planning the replenishment strategy for this item.

DEPARTMENT. The department associated with this order.

TURNAROUND NUMBER. The turnaround number for this item. (This field appears when PM&C and IM are interfacing.)

STOCK WH LOC. The number of the warehouse and location in which this item is located.

COMPONENT ITEM NUMBER. The number to identify this component item.

REVISION . The revision identifier of this component item. This field appears only in PM&C and only if EPDM is interfacing.

ITEM DESCRIPTION. The description for this component item.

DATE REQ. The date the material is required for the order.

OP START. The start date for the operation as calculated by PC&C. This field appears when IM and PC&C are interfacing.

OP NO. The operation sequence number that identifies an operation detail record.

USER SEQ. A user-supplied number that, together with the component item number, establishes the sequence of the bill of material.

PICK QUANTITY. The standard quantity required for the order less the issued quantity.

U/M. The units used to express the item quantity.

F/S. Floor stock code.

LOCATION. The stock location of the item, as stored in the Location Detail File.

BATCH/LOT. The batch or lot number of the item if you choose the batch/lot option during application tailoring.

FIFO DATE. The date the item was first received in stock if you choose the FIFO date option during application tailoring.

On hand quantity. Quantity of each item needed to fill the order, listed by stock location, either allocated or unallocated:

ALLOCATED QTY. Identifies some or all of the standard quantity that has been designated to be picked from a particular batch or location.

UNALLOCATED QTY. Identifies the quantity of the item available for use in a batch or location.

The number of quantities that print for each item varies depending on the option you selected on the Shop Packet display. If there is no stock available in any location, the message NONE APPROVED is printed.

Material Picking List--Consolidated (AMI912)

NORTHCREEK IND MATERIAL PICKING LIST CONSOLIDATED DATE 8/31/
 ** TIME 9.49.45 PAGE 1 AMI912

STOCK WH LOC	COMPONENT/ REVISION	USER DESCRIPTION ITEM DESCRIPTION	MFG ORDERS FROM M005150 TO M005510 ORDER DATE REQ OP NO NUMBER OP START	USER PICK SEQ QUANTITY	U/ /M	F/ /S	
1	UNCONTROLLED	UNCONTROLLED FLOOR STOCK	10/10/** M000050 11/01/**	0000	5.000-EA	U	[Barcode] *-----*
1	21014	SODIUM C14-16 OLEFIN SULFONATE	10/19/** M000050 11/01/**	0000	.000 LB		[Barcode] *-----*
1	21246	AMONIUM LAUREL ETHER SULFATE	10/19/** M000050 11/01/**	0000	.000 LB		[Barcode] *-----*

This report prints if PM&C is installed and interfacing with IM. PM&C must also be tailored for Pick List format=1, (question J037=1).

Fields

STOCK.

WH. The number of the warehouse in which this component item is located.

LOC. The component item stock location in the warehouse.

COMPONENT ITEM NUMBER. The number to identify this component item.

REVISION . The revision identifier of this component item. This field appears only in PM&C and only if EPDM/PDM is interfacing.

ITEM DESCRIPTION. The description of the component item.

ORDER NUMBER. The control number identification of the manufacturing order requiring the component item.

DATE REQUIRED. The date the component item is required.

OP START. The start date for the operation as calculated by PC&C. This field appears when IM and PC&C are interfacing.

OP NO. The operation sequence number that identifies an operation detail record.

USER SEQ. A user-supplied number that, together with the component item number, establishes the sequence of the bill of material.

PICK QUANTITY. The standard quantity required for the order less the issued quantity.

U/M. The units used to express the item quantity.

F/S. The floor stock code for this item. Valid codes are:

- blank** This item is not floor stock.
- C** This item is controlled floor stock.
- U** This item is uncontrolled floor stock.

Material Picking List–By Order (AMI913)

ORDER		MATERIAL PICKING LIST		DATE	12/12/**	PAGE	1	AMI913	
NUMBER	ITEM NUMBER	WH	REV	DESCRIPTION		PAGE IN	ORDER	1	
				BY ORDER	TIME	11.55.08	TURNAROUND	NUMBER	
M000050	19333	1		STRAWBERRY SHAMPOO					
ORD QTY	1,400.000	DEV		.000	START	10/10/**			
JOB NO	01-C00000001	SPL		1,399.000	DUE	10/10/**			
		ADJ		1.000	LAST	11/03/**			

[Barcode]									

WH	STLOC	COMPONENT	ITEM	U/ F	PICK	OPSEQ	DATE	REQ	TURNAROUND
REV	USEQ	DESCRIPTION		/M S	QUANTITY	FACID	OP	START	NUMBER

[Barcode]									

1		UNCONTROLLED		EA U	5.000-		10/10/**		
	0000	UNCONTROLLED FLOOR STOCK					11/01/**		

[Barcode]									

1		21014		LB	.000		10/19/**		
		SODIUM C14-16 OLEFIN SULFONATE					11/01/**		

[Barcode]									

1		21246		LB	.000		10/19/**		
		AMONIUM LAUREL ETHER SULFATE					11/01/**		

[Barcode]									

1		21350		LB	.000		10/19/**		
		FORMALDEHYDE					11/01/**		

[Barcode]									

1		21372		LB	.000		10/19/**		
		LACTIC ACID					11/01/**		

[Barcode]									

1		21403		LB	.000		10/19/**		
		HYDROLYZED ANIMAL PROTEIN					11/01/**		

This version prints if PM&C is installed and interfacing with IM. PM&C must also be tailored for pick list format=2 (question J037=2).

Fields

ORDER NUMBER. The control number identification of this manufacturing order.

ITEM NUMBER. The item number of the manufacturing order's end item. It is stored in the Manufacturing Order Master record.

WH. The warehouse of the manufacturing order's end item. It is stored in the Manufacturing Order Master record.

REV (Revision). The revision identifier associated with this parent item. This field appears only in PM&C and only if EPDM/PDM is interfacing.

DESCRIPTION. The item description of the manufacturing order's end item. It is stored in the Manufacturing Order Master record.

TURNAROUND NUMBER. The turnaround number for this item. (This field appears when PM&C and IM are interfacing.)

ORD QTY (Order quantity). The quantity released to the shop floor at the first operation. (This field appears when PM&C and IM are interfacing.)

DEV. The deviation quantity for this order.

START. The date an order is to begin. The order start date can only be specified in the IM order release or Manufacture Order Master file maintenance procedures. The operation start date is maintained by the PC&C forward scheduling routine from this order start date. (This field appears when PC&C and IM are interfacing.)

JOB NO. The number of the customer order for which this end item is being manufactured.

DUE. The scheduled completion date of a manufacturing order. It is calculated by the PC&C forward scheduling routing. The scheduled completion date of the last operation within a manufacturing order becomes the scheduled completion date of the order. (This field appears when PC&C and IM are interfacing.)

ADJ. Adjusted quantity which was calculated using Order Quantity + Deviation Quantity = Split Quantity.

LAST. Last transaction date.

WH. The number of the warehouse in which this component item is located.

REV (Revision) . The revision identifier associated with this component item. This field appears only in PM&C and only if EPDM/PDM is interfacing.

STLOC (Stock location). The component item stock location in the warehouse.

USEQ (User sequence). The user sequence number of the component item in the bill of material.

COMPONENT ITEM. The number to identify this component item.

DESCRIPTION. The description of the component item.

U/M. The stocking unit of measure.

FS. The floor stock number for this item. Valid codes are:

blank This item is not floor stock.

C This item is controlled floor stock.

U This item is uncontrolled floor stock.

PICK QUANTITY. The standard quantity required for the order less the issued quantity.

OPSEQ. The operation sequence number for this transaction.

FACID. The planned work center where this operation is to be performed. (This field appears when PC&C and IM are interfacing.)

DATE REQ. The date the component item is required.

OP START. The start date for the operation as calculated by PC&C. This field appears when IM and PC&C are interfacing.

Material Picking List--Consolidated (AMI914)

MATERIAL PICKING LIST		DATE 12/12/**	PAGE 1	AMI914				
CONSOLIDATED		TIME 11.55.08	PAGE IN ORDER 1					
USER DESCRIPTION MFG ORDERS FROM M005150 TO M005510								
WH REV	STLOC USEQ	COMPONENT ITEM DESCRIPTION	U/ F /M S	PICK QUANTITY	OPSEQ FACID	DATE REQ OP START	TURNAROUND NUMBER	ORDER NUMBER
1		UNCONTROLLED	EA U	5.000-		10/10/**		MI00050
12	0000	UNCONTROLLED FLOOR STOCK				11/01/**		
						[Barcode]		
1		21014	LB	.000		10/19/**		MI00050
13		SODIUM C14-16 OLEFIN SULFONATE				11/01/**		
						[Barcode]		
1		21246	LB	.000		10/19/**		MI00050
		AMONIUM LAUREL ETHER SULFATE				11/01/**		
						[Barcode]		
1		21350	LB	.000		10/19/**		MI00050
		FORMALDEHYDE				11/01/**		
						[Barcode]		
1		21372	LB	.000		10/19/**		MI00050
		LACTIC ACID				11/01/**		
						[Barcode]		
1		21403	LB	.000		10/19/**		MI00050
		HYDROLYZED ANIMAL PROTEIN				11/01/**		
						[Barcode]		
1		21418	LB	.000		10/19/**		MI00060
		PEG-15 TALLOW POLYAMINE				11/01/**		

This version prints if PM&C is installed and interfacing with IM. PM&C must also be tailored for pick list format=2 (question J037=2).

Fields

WH. The number of the warehouse in which this component item is located.

STLOC. The component item stock location in the warehouse.

REV (Revision) . The revision identifier associated with this component item. This field appears only in PM&C and only if EPDM/PDM is interfacing.

USEQ. A user-supplied number that, together with the component item number, establishes the sequence of the bill of material.

COMPONENT ITEM. The number to identify this component item.

DESCRIPTION. The description of the component item.

U/M. The units used to express the item quantity.

F/S. The floor stock number for this item. Valid codes are:

blank This item is not floor stock.

C This item is controlled floor stock.

U This item is uncontrolled floor stock.

PICK QUANTITY. The standard quantity required for the order less the issued quantity.

OPSEQ. The operation sequence number that identifies an operation detail record.

FACID. The planned work center where this operation is to be performed. (This field appears when PC&C and IM are interfacing.)

DATE REQ. The date the component item is required.

OP START. The start date for the operation as calculated by PC&C. This field appears when IM and PC&C are interfacing.

TURNAROUND NUMBER. The turnaround number for this item. (This field appears when PM&C and IM are interfacing.)

ORDER NUMBER. The control number identification of this manufacturing order.

Material Picking List–By Order (AMI915)

ANDREAS AUTO		MATERIAL PICKING LIST BY ORDER			DATE 2/21/**	TIME 11.56.13	PAGE 1	AMI915				
					OPER 51				PAGE IN ORDER 1			
ORDER NUMBER	ITEM NUMBER	WH	REV	DESCRIPTION	ORDER QUANTITY	DEVIATION QUANTITY	ADJUSTED QUANTITY	START DATE	LAST TRANS DATE	DUE DATE		
M000010	00529	ATL	123	MOTOR ASSEMBLY	1,000,000.111	.000		2/01/**	0/00/**	7/18/		
**												
					QTY IN SPLITS:		50,000.111					
CUSTOMER JOB NUMBER	WAREHOUSE STOCK LOC	ENGINEERING DRAWING NUMBER	MULTI-ORD REFERENCE	PLANNER	DEPARTMENT							
01-C00000001	04526	ENG DRAW #98765	MBJ5 a									
STOCK WH	COMPONENT LOC	REV	ITEM DESCRIPTION	DATE REQUIRED	OPER USED	USER SEQ	PICK QUANTITY	U/ /M	LOCATION	BATCH/LOT	FIFO DATE	
ATL	37674	4	MOTOR - 3 HP	2/15/**	0010	0001	1234678.123	EA				
							UNALLOCATED QTY	150000.000	A101111		2/01/**	
							UNALLOCATED QTY	254000.000	A101112		2/01/**	
							UNALLOCATED QTY	2147000.000	A101113		2/01/**	
							2/01/**	0010	0001	1234678.123	EA	
							UNALLOCATED QTY	150000.000	A101111		2/01/**	
							UNALLOCATED QTY	254000.000	A101112		2/01/**	
							UNALLOCATED QTY	2147000.000	A101113		2/01/**	
							TOTAL QUANTITY TO PICK- 3,234,678.234 EA					

This report prints if PM&C is not installed.

To print this report, use option 2 or 3 on the Order Release and Closeout menu (AMIM40), option 1 on the Shop Packet Creation menu (AMIM44), or option 7 on the File Maintenance menu (AMIM70).

Fields

ORDER NUMBER. The control number identification of this manufacturing order.

ITEM NUMBER. The item number of the manufacturing order's end item.

WH. The warehouse where the manufacturing order's end item is stored.

REV (Revision). The identifier of the revision associated with this parent item. This field appears only if EPDM is activated.

DESCRIPTION. The item description of the manufacturing order's end item.

ORDER QUANTITY. The quantity released to the shop floor at the first operation. It may not be the original order quantity. This value is the original order quantity minus the quantity in split orders (for a base order) plus the quantity deviation.

DEVIATION QUANTITY. The deviation quantity for this order.

ADJUSTED QUANTITY. The quantity calculated by using this formula: Order Quantity + Deviation Quantity = Split Quantity.

START DATE. The scheduled date for an order to begin. The order start date can only be specified in the IM order release or Manufacture Order Master file

maintenance procedures. (This field appears only if PC&C is installed and interfacing.)

LAST TRANS DATE. The date of last activity on the order. (This field appears only if PC&C is installed and interfacing.)

DUE DATE. The date an item is required to be in inventory. (This field appears only if PC&C is installed and interfacing.)

QTY IN SPLITS. The quantity of the original order quantity included in split orders.

CUSTOMER JOB NUMBER. This field relates this manufacturing order to a specific customer job number.

WAREHOUSE STOCK LOC. The manufacturing order's end item stock location in the warehouse.

ENGINEERING DRAWING NUMBER. The manufacturing order's end item's engineering drawing number, entered during order release.

MULTI-ORD REFERENCE. A code used to group manufacturing orders for reporting purposes. Orders can be categorized for sub-totals on the summary reports or selected together by this grouping in a detail reporting run. The grouping can be different from the customer job number and item number grouping, but these groupings have to be specified manually in IM's order entry or Manufacture Order Master file maintenance procedures.

PLANNER. A code identifying the person responsible for planning the replenishment strategy for this item.

DEPARTMENT. The department associated with this order.

WH. The number of the warehouse in which this item is located.

STOCK LOC. The code indicating the item's location in the warehouse.

COMPONENT ITEM NUMBER. The number to identify this component item.

REV (Revision). The identifier of the revision associated with this component item. This field appears only if EPDM is activated.

ITEM DESCRIPTION. The description for this component item.

DATE REQUIRED. The date the material is required for the order.

OPER USED. The manufacturing step within an order where this component is first used.

USER SEQ. A user-supplied number that, together with the component item number, establishes the sequence of the bill of material.

PICK QUANTITY. The standard quantity required for the order less the issued quantity.

U/M. The units used to express the item quantity.

LOCATION. The stock location of the item, as stored in the Location Detail file. If you are using uncontrolled warehouses, no data is printed in this field.

BATCH/LOT. The batch or lot number of the item—if you chose the batch/lot option during application tailoring. If you are using uncontrolled warehouses, no data is printed in this field.

FIFO DATE. The date the item was first received in stock—if you chose the FIFO date option during application tailoring. If you are using uncontrolled warehouses, no data is printed in this field.

TOTAL QUANTITY TO PICK. The sum of the **PICK QUANTITY** column.

Material Picking List—Consolidated (AMI916)

JACOBSON IND.		MATERIAL PICKING LIST-CONSOLIDATED				DATE	2/21/**	TIME	11.56.13	PAGE	1	AMI916	0
PER 51		USER DESCRIPTION				MFG ORDERS FROM M005150 TO M005510							
STOC	COMPONENT	ORDER	DATE	OPER	USER	PICK	U/						
WH	LOC	ITEM NUMBER	DESCRIPTION	NUMBER	REQUIRED	USED	SEQ	QUANTITY	/M	LOCATION	BATCH/LOT	FIFO	DATE
ATL	WHSLOCE	37674	MOTOR - 3 HP	M000010	2/15/**	0010	0001	1234678.123	EA				
								UNALLOCATED QTY	150000.000	A101111		2/01/**	
								UNALLOCATED QTY	254000.000	A101112		2/01/**	
								UNALLOCATED QTY	2147000.000	A101113		2/01/**	
								2/01/**	0010	0001	1234678.123	EA	
								UNALLOCATED QTY	150000.000	A101111		2/01/**	
								UNALLOCATED QTY	254000.000	A101112		2/01/**	
								UNALLOCATED QTY	2147000.000	A101113		2/01/**	
								TOTAL QUANTITY TO PICK-	3,234,678.234	EA			

This report prints if PM&C is not installed.

To print this report, use option 2 or 3 on the Order Release and Closeout menu (AMIM40), option 1 on the Shop Packet Creation menu (AMIM44), or option 7 on the File Maintenance menu (AMIM70).

Fields

WH. The number of the warehouse in which this item is located.

STOC LOC. The code indicating the item's location in the warehouse.

COMPONENT ITEM NUMBER. The number to identify this component item.

ITEM DESCRIPTION. The description for this component item.

REV (Revision). The identifier of the revision associated with this component item. This field appears only if EPDM is activated.

ORDER NUMBER. The control number identification of this manufacturing order.

DATE REQUIRED. The date the material is required for the order.

OPER USED. The manufacturing step within an order where this component is first used.

USER SEQ. A user-supplied number that, together with the component item number, establishes the sequence of the bill of material.

PICK QUANTITY. The standard quantity required for the order less the issued quantity.

U/M. The units used to express the item quantity.

LOCATION. The stock location of the item, as stored in the Location Detail file. If you are using uncontrolled warehouses, no data is printed in this field.

BATCH/LOT. The batch or lot number of the item—if you chose the batch/lot option during application tailoring. If you are using uncontrolled warehouses, no data is printed in this field.

FIFO DATE. The date the item was first received in stock—if you chose the FIFO date option during application tailoring. If you are using uncontrolled warehouses, no data is printed in this field.

ON HAND QUANTITY. Quantity of each item needed to fill the order, listed by stock location, either allocated or unallocated:

ALLOCATED QTY. Identifies some or all of the standard quantity that has been designated to be picked from a particular batch or location.

UNALLOCATED QTY. Identifies the quantity of the item available for use in a batch or location.

The number of quantities that print for each item varies depending on the option you selected on the Shop Packet display. If there is no stock available in any location, the message NONE APPROVED is printed.

TOTAL QUANTITY TO PICK. The sum of the **PICK QUANTITY** column.

Mfg Allocation Audit Exception List/Run Statistics (AMI9A2)

GATEWAY MFG CO	MFG ALLOCATION AUDIT EXCEPTION LIST	DATE 10/14/**	TIME 20.43.15	PAGE 1	AMI9A2
RUN STATISTICS					
ITEM NUMBER	WH	DESCRIPTION	MANUFACTURING ALLOCATED QUANTITY		ALLOCATION
10819	ATL	BOLT 1/2 X 4	*-----BEFORE-----AFTER-----*		RECORDS
			203,841.783	203,843.227	12
ITEM BALANCE RECORDS READ					187
ITEM BALANCE RECORDS WITH ALLOCATIONS					25
MATERIAL ALLOCATION RECORDS READ					26

To print this report, use option 11 on the File Maintenance menu (AMIM70).

The following items print only for out of balance conditions. They represent exception conditions and should not occur:

Fields

ITEM NUMBER. A number which serves to uniquely identify an item.

WH. The number of the warehouse in which the item is located.

DESCRIPTION. The description of the item.

MANUFACTURING ALLOCATED QUANTITY. The quantity in the Item Balance file is out of balance with the sum of allocations of this item in the Manufacturing Order Master and Manufacturing Order Detail files. Before is the previous quantity in the Item Balance file. After is the new, updated quantity in the Item Balance file.

ALLOCATION RECORDS. The number of records making up the allocated quantity.

ITEM BALANCE RECORDS READ. This run statistic is always printed.

ITEM BALANCE RECORDS WITH ALLOCATIONS. This run statistic is always printed.

MATERIAL ALLOCATION RECORDS READ. This run statistic is always printed.

Miscellaneous Item Stock List (AMINE)

GATEWAY MFG CO	MISCELLANEOUS ITEM STOCK WAREHOUSE ALL	DATE 8/10/**	TIME 16.00.16	PAGE 1	AMINE
ITEM FROM BEGINNING TO END					
ITEM	WH/LOCATION	QUANTITY	RECEIVED DATE		
LG PAPER CLIPS	NONE IN STOCK				
PAPER, 8 1/2X11	NONE IN STOCK				
PENCILS #2	ATL 1ABBIG	5,100.000	2/11/**		
	TOTAL	5,100.000			
PENS	ATL C1GG5G	5.000	11/12/**		
	ATL C1GG5K	3,000.000	11/12/**		
	ATL 1ABBIG	890.000	11/12/**		
	ATL B1EE4F	90.000	1/23/**		
	ATL A1AA2J	10.000	2/04/**		
	STORE WIP	15.000			
	TOTAL	4,010.000			
*** END OF PRINT ***					

To print this report, use option 8 on the File Listings menu (AMIM23).

Fields

ITEM. Each item number within the range typed in on the Select display (AMIX31) appears in this field.

WH/LOCATION. Each warehouse and stock location for the item appears. Each item can have more than one stock location. An item total for all locations appears. If the item is no longer in stock, the message NONE IN STOCK appears.

QUANTITY. The number of items in each location.

RECEIVED DATE. The date the item is received in stock.

Miscellaneous Item Transaction Register (AMINB)

GATEWAY MFG CO		MISCELLANEOUS ITEM TRANSACTION REGISTER			DATE	8/10/**	TIME	16.00.16	PAGE	1	AMINB
CODE	ITEM	WH	LOCATION	QUANTITY	REASON						
MI	800	ATL	A101A1	1,502.025	DEPT42						
MR	932-K3	ATL	C10122B	327.000							
MR	977568	ATL	C248	18.000							

GATEWAY MFG CO		MISCELLANEOUS ITEM TRANSACTION REGISTER			DATE	8/10/**	TIME	16.00.16	PAGE	2	AMINB
		ITEM	LOCATION	TRANSACTION							
		BALANCE	QUANTITY	HISTORY							
		FILE	FILE	FILE							
SESSION STATUS											
	RECORDS ADDED	0	2	3							
	RECORDS CHANGED	3	1								
	RECORDS DELETED	0	0								
*** END OF PRINT ***											

To print this report, use option 7 on the Transaction Processing menu (AMIM30).

Fields

CODE. The transaction code:

MI Miscellaneous issue
MR Miscellaneous receipt

ITEM. The item number for the transaction.

WH. The number of the warehouse in which the item is located.

LOCATION. The stock location of the item if you are using controlled warehouses. If you are using default location support, this is the default location taken from the Item Balance file.

QUANTITY. The issue or receipt transaction quantity.

REASON. The user-defined reason for the miscellaneous item transaction.

SESSION STATUS.

RECORDS ADDED. The number of records added to each file during the session.

RECORDS CHANGED. The number of records changed in each file during the session.

RECORDS DELETED. The number of records deleted from each file during the session.

Order Closeout–Production Report (AMI4K1)

BELLAMY INC.		NO. 01	ORDER CLOSEOUT - PRODUCTION REPORT				DATE 11/03/**	TIME 11.41.00	PAGE 1	AMI4K1				
ORDER NUMBER	FINISHED	WH ST	DEPT	MULTI-ORD	PLANNER	ORDER * - - Q U A N T I T Y - - *	OPER 02	PAGE IN ORDER	1					
M001050	03904-A	0830282000	DP90		902	2,000.000	COMPLETED	OPEN	REMAINING					
	REVISION		D03		B22	.000			DATES					
							1,990.000	.00	START	2/27/**				
							.000	.00	ACTUAL ST	2/24/**				
									LAST TRANS	11/03/**				
									DUE	2/28/**				
									ACTL CMPLT	3/22/**				
ORDER	DESCRIPTION-- PUMP SHAFT ASSEMBLY				SCRAP	DEVIATION								
DEMAND:	P REQMT	M FCST				M REQMT	SAFETY							
01-C00000006/0030000/00001		01-C00000006/0030000/00002				01-C00000006/0030000/00003	P REQMT							
COMPONENT	WH	DESCRIPTION	U/	STANDARD	*-----QUANTITY-----*	OPER	INV	REQUIRED	DATE					
ITEM NUMBER			/M	QUANTITY	PERIOD	TO-DATE	COST-TO-DATE	USED	LOC					
03902	A	PUMP SHAFT PIN		2000.000	2000.000	2000.000		0010	P127					
			EA				39.00							
03904-C	A	PUMP SHAFT		2000.000	2150.000	2150.000		0010	M123					
REVISION			EA											
							12775.30		2/22/**	11/03/**				
							12,814.30							
OPER M		W/C	PROC/	OP	TBC	START/	ACTUAL/	PD. QTY	SETUP HRS	MACH. HRS	LABOR HRS	HRS/PC	TIME	SETUP
NO S	DESCRIPTION	ST/AC	TOOL	ST	RWK	DUE	ACTIVE	TD. QTY	ACT/VAR	ACT/VAR	ACT/VAR	STD/ACT	ACT/STD	CREW SIZE
0010	ASSEMBLE PUMP SHAFT	AS005		40	P	2/27/**	2/24/**	1,990.000	.00	108.00	103.00	.05	211	PCT 01
		AS005		0		3/22/**	2/24/**	1,990.000	.00	108.00-	3.00-	.05		
							TOTAL ACTUAL HOURS	.00	108.00	103.00				
							TOTAL VARIANCE HOURS	.00	108.00-	3.00-				
MISCELLANEOUS	MISCELLANEOUS		UNIT COST	STANDARD	ACTUAL	COST	STANDARD	ACTUAL	QUANTITY	DATE LAST	ACTIVE			
CHARGE NUMBER	DESCRIPTION			COST	COST	VARIANCE	QUANTITY	QUANTITY	VARIANCE					
0010	SPECIAL ORDER OF PIN		.0000	20.00	20.00		.0000	1.000	1-	11/03/**				
							TOTAL-TO-DATE COST							
DIRECT	SETUP	LABOR	OVERHEAD	MATL	DIFFERENCE									
& PUR	MISCELLANEOUS	TOTAL	ACTUAL	RECEIPT										
ORDER														
COSTS--	.00		4,825.00		12,814.30	20.00	19,589.30	13,778.76				5,810.54		
		1,930.00												

To print this report, use option 6 on the Order Release and Closeout menu (AMIM40).

The "Cost Total Sheet–Closed Orders (AMI4K2)" report prints automatically as the last sheet of this report. See "Cost Total Sheet–Closed Orders (AMI4K2)" for more information about this report.

Fields

ORDER NUMBER. The control number identification of each customer, purchase and manufacturing order.

FINISHED ITEM NUMBER. The number of the manufacturing order's end item. The number is stored in the Manufacturing Order Master record.

REVISION. The identifier of the revision associated with this parent item. This field appears only if EPDM is interfacing.

WH. The number of the warehouse in which the manufacturing order's end item is stored. The number is stored in the Manufacturing Order Master record.

ST. A code that identifies the reported status of an open order. A canceled order does not print on a detail report during order closeout:

- 10** Released, but no activity reported
- 40** Order started; material, outside operations, labor, machine or miscellaneous charges transaction processed
- 45** IM material receipt to stock has been reported as complete; PC&C has not reported the order as complete (outside operations, labor, machine, and miscellaneous charges)
- 50** PC&C has reported the order as complete (outside operations, labor, machine, and miscellaneous charges); IM material receipt to stock has not been reported as complete
- 55** Order complete; includes all material, outside operations, labor, machine, and miscellaneous charges
- 99** Order canceled; no activity has been reported.

JOB NUMBER. The number that associates this order with a particular customer order or with other manufacturing orders. If the manufacturing order has been released, the job number contains the company number, order type, and order number of the customer order from COM. Otherwise, use this field as a user-defined reference field during manufacturing order entry.

DEPT. The number of the department responsible for this item. This number is used for reference purposes only.

IAC. Class, defined by your company, to group or classify items for accounting purposes.

MULTI-ORD REFERENCE. Any meaningful, user-assigned value for relating this order to one or more other orders.

PLANNER. A code that identifies the person responsible for planning the replenishment strategy for this item.

OAC. Class, defined by your company, to group or classify orders for accounting purposes.

ORDER QUANTITY. The original on-order quantity as currently indicated in the Manufacturing Order Master record.

QUANTITY.

IN SPLITS. The quantity of the original order quantity included in split orders.

COMPLETED. The total quantity reported to date as having been received in stock against this manufacturing order.

OPEN. The remaining quantity yet to be received into stock on the order ($QRQTY + QTDEV - QTSPL - QTSCP$). If yield is applied to the order, actual scrap is not subtracted from the order quantity until it exceeds the planned order scrap.

SCHED HOURS REMAINING. The standard operation hours remaining for this manufacturing order. The standard operation hours are based on the operation quantity reported to date. A completed order that has been rescheduled will have 0 (zero) hours remaining.

DATES. The dates this manufacturing order was scheduled to start, actually started, had the last transaction, was due to be completed, and actually was completed. Completion (completion date), appears if you chose forward scheduling during application tailoring. Calc Start (calculated to start) appears if you chose backward scheduling.

ORDER DESCRIPTION. The description of the manufacturing order's end item. The description is stored in the Manufacturing Order Master record.

SCRAP. The total of the end item quantity reported scrapped on shop activity labor transactions against any of the operations in the open order.

DEVIATION. A user-maintained positive or negative end item quantity value. It can be used to reflect quantity-worked fluctuations due to yield on the first few operations.

DEMAND. The customer order or other top level requirement that generated this manufacturing order or purchase order item. Source of demand information appears only if MRP is installed and interfacing. The user defines the maximum number of demand sources to be printed. Possible values are:

BLENDED The larger of forecast and customer requirements (MSSR=B)

CUSONLY Customer orders (MSSR=C)

Cxxxxxx Customer orders, not combined (MSSR=D or E). The customer order shows in the format of 01-CO-nnnnnnnn.

FORCAST Forecast quantity (MSSR=F)

GENDMND Generated component quantity based on parent planned orders (MSSR not D or E)

Mxxxxxx Manufacturing order number

MANUAL Manually entered demand. Source of demand is optional at time of entry (MSSR=M)

M FCST Manual forecast

M HELD Manual held requirement

M REQMT Manual requirement

SAFETY Safety stock

NEG QOH Negative quantity on hand

P FCST Propagated forecast

P REQMT Propagated requirement

PRODPLN Production planned quantity (MSSR=P)

Sxxxxxx Repetitive Manufacturing order, allocated quantity

XS FCST Forecast quantity in excess of customer requirements (MSSR=D)

COMPONENT ITEM NUMBER. The number that identifies this component item.

WH. The identification code of the warehouse for the component.

DESCRIPTION. Description of the component item.

U/M. The units used to express the component quantity.

STANDARD QUANTITY. The component quantity normally issued for an order of the released order size. This value is calculated by multiplying the original order quantity times the component quantity per.

QUANTITY.

PERIOD. The actual component quantity issued to the shop order in the current manufacturing period.

TO-DATE. The actual component quantity issued to the shop order since the order was first released. This includes the quantity issued in the current manufacturing period.

COST-TO-DATE. The actual (or transaction) costs accumulated to date with each issue transaction for the component.

OPER USED. The manufacturing step within an order where a component is first used.

INV LOC. The warehouse stocking location of the component.

REQUIRED DATE. The date when the component quantity must be present in the work center.

DATE LAST ISS. The date on which the component was last issued.

OPER NO. A number that identifies a manufacturing step within the routing for the order. The scheduling routine follows the sequence of operations within a manufacturing order to schedule the start and completion dates of each operation. The scheduled completion date of the last operation of that order becomes the estimated completion date for the order.

M S. A code that identifies the type of milestone operation, if the detailed operation is part of a milestone group.

First sub-operation:

- B** A milestone group with no activity reported
- P** A milestone group with activity reported
- C** A milestone group with activity reported complete.

Not first or last sub-operation:

- S** A sub-operation that is between the first and last sub-operations.

Last sub-operation:

- J** The end of a job shop milestone group
- F** The end of a flow shop milestone group.

DESCRIPTION. The description of this individual operation in a manufacturing routing.

W/C ST/AC. The planned work center where this operation should have been performed.

PROC. The number of a sheet that further describes a routing of an end item.

TOOL. A number that identifies either a specific special tool or a list of tools needed to perform the operation. The control of a master list of special tools must be done outside of the MAPICS XA data base.

OP ST. A code that distinguishes between open operations with no activity, open operations being worked on, and completed operations. The scheduling and work list (or dispatch operation sequencing) routines use this field to determine which values go into the time remaining calculations for this operation.

00 Inactive; not used in scheduling, costing, or activity reporting
10 Active; planned but activity not yet reported
20 Material has been moved to this operation
30 Labor, machine, or outside operation activity reported
40 Operation has been reported as complete
50 All material moved from this operation to next location or next operation.

TBC. A code that relates the standard operation run unit time fields to expected operation quantities in order to develop standard operation setup labor hours, run labor hours, run machine hours, and run labor costs (for outside operations).

blank Hours per unit
C Cost per piece (for outside operations)
H Hours per lot
M Minutes per piece
P Pieces per hour
1 Hours per 10 units
2 Hours per 100 units
3 Hours per 1,000 units
4 Hours per 10,000 units.

RWK. A code that indicates whether this is a rework operation or not.

0 No
1 Yes.

START. The scheduled start date of an operation. This date is maintained by the scheduling routine.

DUE. The scheduled completion date of a manufacturing operation. It is calculated by the scheduling routine.

ACTUAL. The actual start of a manufacturing operation. This value is updated in the data base by the first transaction for an operation.

ACTIVE. The date of the last transaction update to this operation.

PD. QTY TD. QTY. The actual (or transaction) quantity complete this period for a manufacturing operation (first print line). The second print line shows the actual (or transaction) quantity completed since the order was released for a manufacturing operation. Both values relate to the end item order quantity.

SETUP HOURS ACT/VAR. The actual number of setup labor hours to date (first print line). The variance hours are the difference between standard setup labor hours and actual setup labor hours (second print line).

MACH HOURS ACT/VAR. The actual setup machine hours and run machine hours total to date (first print line). The variance hours are the difference between standard and actual machine hours (second print line).

LABOR HOURS ACT/VAR. The actual run labor hours total to date (first print line). The variance hours are the difference between standard run labor hours and actual run labor hours (second print line).

HRS/PC STD/ACT. The standard hours to complete a piece and the actual hours to complete a piece.

TIME ACT/STD. A field that relates reported performance against standards for each operation. A value of 100 percent means that performance matches standard. A value greater than 100 percent means that actual time is greater than the standard value. This value does not show an employee's efficiency.

SETUP CREW SIZE. The number of people required to set up this manufacturing operation.

TOTAL ACTUAL HOURS. The total setup, machine, and labor hours.

TOTAL VARIANCE HOURS. The total deviation of total actual hours from total standard hours.

SETUP. The actual total to-date setup hours multiplied by the setup rate.

LABOR. The actual total to-date labor hours multiplied by the labor rate.

OVERHEAD. The actual total to-date labor overhead costs.

MATL & PUR. The actual (or transaction) total cost with each material issue transaction.

MISCELLANEOUS. The actual total to-date miscellaneous costs.

TOTAL ACTUAL. The accumulated actual setup, labor, labor overhead, miscellaneous, and material and purchase direct costs to date.

RECEIPT. The value of the material received back into inventory.

DIFFERENCE. The difference between the total actual cost and the value of material received into inventory.

Order Closeout Selection by Date Audit List—Purchase/Manufacture (AMI4T)

GATEWAY MFG CO		ORDER CLOSEOUT SELECTION BY DATE AUDIT LIST						DATE 12/30/**	TIME 13.01.10	PAGE 1	AMI4T
		PURCHASE/MANUFACTURE									
		SELECTING ALL CANCELED ORDERS									
		SELECTING ALL COMPLETE ORDERS WITH LAST ACTIVITY DATE BEFORE 12/12/**									
ORDER NUMBER	ITEM NUMBER	WH	REVISION	ORD ST	JOB NUMBER	DEPT REFERENCE	PLANNER	DUE DATE	ORDER QUANTITY	COMPLETION/ CANCELED DATE	LAST ACTIVITY DATE-
P0010	05325	ATL	12	50		DP99	00907	12/01/**	1,110,000.000	12/11/**	12/11/
**											
P0050	03593	ATL		99	01-C00000001	DP99 35478	00907	12/20/**	15,000.000		CANCELED
P0050	77683	ATL		50		DP99	00907	12/20/**	24,000.000	12/18/**	12/18/
**											
P0050	79098	ATL		99		DP99	00907	1/20/**	24,000.000		CANCELED
M000180	26006-21	ATL		45		DP99	00901	12/16/**	1,500.000	12/21/**	12/21/
**											

To print this report, use option 5 on the Order Release and Closeout menu (AMIM40).

If you selected a sequence for the report, it appears in the header:

- Selecting all canceled orders
- Selecting all complete orders with last activity date before—specified.

Fields

ORDER NUMBER. The control number for purchase and manufacturing orders.

ITEM NUMBER. A number which serves to uniquely identify an item.

WH. The warehouse in which the item is located.

REVISION. The identifier of the revision associated with this item. This field appears only if EPDM is activated.

ORDER STATUS. Valid codes for purchase values are:

- 10** Released
- 20** Received to dock
- 30** Received to inspection
- 40** Received to stock
- 50** Order complete
- 99** Order canceled

Valid codes for manufacturing values are:

- 10** Released, but no activity reported.
- 40** Order started; material, outside operations, labor, machine or miscellaneous charges transaction processed.
- 45** IM material receipt to stock has been reported as complete; PC&C has not reported the order as complete (outside operations, labor, machine, and miscellaneous charges).

- 50 PC&C has reported the order as complete (outside operations, labor, machine, and miscellaneous charges); IM material receipt to stock has not been reported as complete.
- 55 Order complete; includes all material, outside operations, labor, machine, and miscellaneous charges.
- 99 Order canceled; no activity has been reported.

JOB NUMBER. The number that associates this order with a particular customer order or with other manufacturing orders. If the manufacturing order has been released, the job number contains the company number, order type, and order number of the customer order from COM. Otherwise, use this field as a user-defined reference field during manufacturing order entry.

If COM is installed and interfacing with IM, a customer order number includes the company number and order type of the associated customer order.

DEPT. The department number.

REFERENCE. Any meaningful, user-assigned value.

PLANNER. A code identifying the person responsible for planning the replenishment strategy of this item.

DUE DATE. The date an item is required to be in inventory.

ORDER QUANTITY. The quantity needed by the due date for the order to be complete.

COMPLETION/CANCELED DATE. The date when the item was fully received in stock and the order declared complete or date when the order was canceled. The field indicates CANCELED, LAST ACTIVITY DATE, or NO ORDERS SELECTED.

Order Closeout Selection by Order Audit List–Purchase/Manufacture (AMI4S)

GATEWAY MFG CO		ORDER CLOSEOUT SELECTION BY ORDER AUDIT LIST PURCHASE/MANUFACTURE					DATE 1/10/**	TIME 12.58.48	PAGE 1	AMI4S
ORDER NUMBER	ITEM NUMBER	WH REV	ORDER STAT	JOB NUMBER	DEPT	REFERENCE	PLANNER	DUE DATE	ORDER QUANTITY	COMPLETION/CANCELED DATE
M000180	26006-21	ATL	45	01-C00000001	DP99		00901	12/16/**	1,500.000	12/11/**
P0010	05325	ATL	50		DP99		00907	12/01/**	10,000.000	SELECTED FOR CLOSEOUT SELECTED FOR CLOSEOUT

CLOSE ALL COMPLETE ORDERS WITH LAST ACTIVITY DATE BEFORE 12/12/**

CLOSE ALL CANCELED ORDERS

To print this report, use option 5 on the Order Release and Closeout menu (AMIM40).

Fields

ORDER NUMBER. The control number for purchase and manufacturing orders.

ITEM NUMBER. A number which serves to uniquely identify an item.

WH. The number of the warehouse in which the item is located.

REV (Revision). The identifier of the revision associated with this item. This field appears only if EPDM is activated.

ORDER STATUS. Valid codes for purchase order values are:

- 10** Released
- 20** Received to dock
- 30** Received to inspection
- 40** Received to stock
- 50** Order complete
- 99** Order canceled

Valid codes for manufacturing values are:

- 10** Released, but no activity reported.
- 40** Order started; material, outside operations, labor, machine or miscellaneous charges transaction processed.
- 45** IM material receipt to stock has been reported as complete; PC&C has not reported the order as complete (outside operations, labor, machine, and miscellaneous charges).
- 50** PC&C has reported the order as complete (outside operations, labor, machine, and miscellaneous charges); IM material receipt to stock has not been reported as complete.
- 55** Order complete; includes all material, outside operations, labor, machine, and miscellaneous charges.
- 99** Order canceled; no activity has been reported.

JOB NUMBER. The number that associates this order with a particular customer order or with other manufacturing orders. If the manufacturing order has been released, the job number contains the company number, order type, and order number of the customer order from COM. Otherwise, use this field as a user-defined reference field during manufacturing order entry.

If COM is installed and interfacing with IM, a customer order number includes the company number and order type of the associated customer order.

DEPT. The department number.

REFERENCE. Any meaningful, user-assigned value.

PLANNER. A code identifying the person responsible for planning the replenishment strategy of this item.

DUE DATE. The date an item is required to be in inventory.

ORDER QUANTITY. The quantity needed by the due date for the order to be complete.

COMPLETION/CANCELED DATE. The date when the item was fully received in stock and the order declared complete or date when the order was canceled. The following messages can appear.

- SELECTED FOR CLOSEOUT
- ORDER REACTIVATED
- CLOSE ALL COMPLETE ORDERS WITH LAST ACTIVITY BEFORE (specified date)
- CLOSE ALL CANCELED ORDERS
- NO ORDERS SELECTED.

Order Closeout Summary and Material Purge Audit List (AMI4U)

GATEWAY MFG CO	ORDER CLOSEOUT SUMMARY AND MATERIAL PURGE AUDIT LIST	DATE 8/10/**	TIME 16.05.18	PAGE 1	AMI4U
--- JOB TOTALS ---					
FILE- POITEM	RECORDS DELETED-	2			
MOMAST		3			
POBLKT		3			
MODATA		6	WHICH INCLUDES FLOOR STOCK ITEMS -		
			1 ITEMS FROM CANCELED ORDERS, VALUED AT		1.25
			AND 2 ITEMS FROM CLOSED ORDERS, VALUED AT		1.25
	TOTALLING	3 ITEMS	VALUED AT		2.50

To print this report, use option 6 on the Order Release and Closeout menu (AMIM40).

Fields

JOB TOTALS. The number of records deleted from the POITEM, MOMAST, POBLKT, and MODATA files.

FLOOR STOCK ITEMS. The number of floor stock items and their value that have been released against the manufacturing orders just closed.

Order Entry Batch Control Update–Purchase/Manufacture (AMI4D)

GATEWAY MFG CO

ORDER ENTRY BATCH CONTROL UPDATE
PURCHASE/MANUFACTURE

DATE 8/10/** TIME 9.15.09 PAGE 1 AMI4D

BATCH NUMBER-	10	---	BATCH DELETED	---
RECORD COUNT-	5			
WORK STATION-	E5			
OPERATOR ID-	JBD			

To print this report, use option 1 on the Order Release and Closeout menu (AMIM40).

Fields

BATCH NUMBER. Batch number deleted.

RECORD COUNT. The number of records in batch.

WORK STATION. Work station ID.

OPERATOR ID. This field appears if MAPICS XA security is active.

Order History—Accounting Detail (AMIH34)

CARMACK IND.	NO. 01	ORDER HISTORY - ACCOUNTING DETAIL REPORT	DATE 10/20/**	TIME 12.15.41	PAGE 1	AMIH34
			OPER A4			
* * OVERHEAD CALCULATIONS INCLUDE MACHINE COSTS * *			PAGE IN ORDER 1			
ORDER WH ST JOB	DPT MULTI-ORD	PLANNER ORDER	* - - - - Q U A N T I T Y - - - - *		SCHED HOURS	DATES
FINISHED ITEM CD NUMBER	IAC REFERENCE	OAC QUANTITY	IN SPLITS/	COMPLETED	OPEN/	REMAINING
M000010	ATL 55 01-C01234567	REP4	100.000	.000	99.000	.000
			DEVIATION	SCRAPPED	START	10/20/**
					ACTUAL ST	10/20/**
PLSDKS	BCB MOH REPORT	AAA	.000	1.000	LAST TRAN	10/20/**
			UNIT	PROJECTED	DUE	10/25/**
			COST--	COST--	ACTL CMPLT	10/20/**
ITEM DESCRIPTION-- PLASTIC DUCKS						
DEMAND: P REQMT		M FCST	1.8075	M REQMT	SAFETY	
01-C00000006/0030000/00001		01-C00000006/0030000/00002		01-C00000006/0030000/00003	P REQMT	
COMP. ITEM NO./	U/	QUANTITY	STANDARD	COST	COST	DATE
DESCRIPTION	WH /M	TO-DATE	COST	THIS PERIOD	TOTAL TO-DATE	LAST ISSUE
BLUPNT	ATL PT	10.000	.7000	7.00	.00	7.00
BLUE PAINT						
CRDBX45	ATL EA	20.000	.8700	17.40	.00	17.40
4' X 5' CARDBOARD BOX						
			TOTAL STANDARD COST	24.40	TO-DATE COST	24.40
OPERATION NO./ STD ACTUAL PROC						
DESCRIPTION	MS FAC	FAC SHEET	TBC TOOL	START DATE	DUE DATE	LAST ACTIVE
0010	PLP01	PLP01	40 2 0	10/20/**	10/20/**	10/20/**
				*---QUANTITY---	*--COST PER UNIT--*	COST
				PERIOD/	STANDARD/	ACT/ST
				TO-DATE	ACTUAL	
				.000	.02	3179
				99.000	.76	
MELT PELLETS						
*--- STANDARD	*--- THIS PERIOD	*--- TOTAL TO-DATE	*--- VARIANCE	HOURS /	*--- CUMULATIVE	*--- CUMULATIVE
HOURS/COST	HOURS/COST	HOURS/COST	COST EXCEPT	SCRAP	STD COST/ACT	STD UNIT COST
				QTY SCRAPPED	1.000	
SET	.20	.00	5.00	4.80-	SET	.01
	1.00	.00	32.60	24.81		.25
LAB	.15	.00	6.50	6.35-	LAB	.00
	.45	.00	19.57	19.37		.20
OVH	.95	.00	10.05	10.00	OVH	.01
						.32
OUT					OUT	
	1.15	.00	155.07	154.75		.32
TOT	.35	.00	11.50	11.15-	TOT	.02
	2.40	.00	76.29	75.52		.77
MAC	.45	.00	15.00	14.55-	MTL	.29
	.90	.00	30.15	29.86		.29
W AM-5512 NO MISC CHARGES FOR THIS ORDER						
DIRECT	SETUP	LABOR	OVERHEAD	MATL & PUR	MISCELLANEOUS	RECEIPT
ORDER						
COSTS--	32.60		40.20		.00	.00
		19.57		179.47		
					TOTAL ACTUAL	DIFFERENCE
					271.84	271.84

To print this report, use option 2 on the Manufacturing Order History menu (AMIMA0) and then option 4 next to a manufacturing order.

Fields

ORDER. The order number is the control number identification of each manufacturing order kept in the data base.

FINISHED ITEM. The item number of the manufacturing order's end item. It is stored in the Manufacturing Order History Master record.

WH (Warehouse). The finished item warehouse of the manufacturing order's end item. It is stored in the Manufacturing Order History Master record.

ST CD (Status Code). The manufacturing order status code that identifies the reported status of an open order.

- 10** Released, but no activity reported.
- 40** Order started; material, outside operations, labor, machine or miscellaneous charges transaction processed.
- 45** IM material receipt to stock has been reported as complete; PC&C has not reported the order as complete (outside operations, labor, machine, and miscellaneous charges).
- 50** PC&C has reported the order as complete (outside operations, labor, machine, and miscellaneous charges); IM material receipt to stock has not been reported as complete.
- 55** Order complete; includes all material, outside operations, labor, machine, and miscellaneous charges.
- 99** Order cancelled; no activity has been reported.

JOB NUMBER. The number used to relate this manufacturing order to a specific customer job number.

DPT (Department). The department number is a reference field, like planner code, for this item for printing purposes.

IAC (Item Accounting Class). A code used to group or classify items for accounting purposes.

REFERENCE. The reference number is used for printing and selection purposes. Any meaningful value can be used.

PLANNER. The planner code identifies the person responsible for planning the replenishment strategy for manufacturing or purchase items.

OAC (Order Accounting Class). A code used to group or classify orders for accounting purposes.

ORDER QUANTITY. The original or "on-order" quantity as currently indicated in the Manufacturing Order Master file.

QUANTITY. This field consists of the following parts:

IN SPLITS. If this is a base order, it may have a proportion of the original order quantity included in a split order.

DEVIATION. A quantity used to adjust the total order quantity after the order status changes from 10.

COMPLETED. The total quantity reported to date that has been recorded through IM as having been received in stock against this manufacturing order.

OPEN. The quantity remaining open on this manufacturing order.

SCRAPPED. The total quantity scrapped within a manufacturing order on shop activity labor transactions.

SCHED HOURS REMAINING. The hours remaining to be worked on a manufacturing order is a summation of the standard operation hours remaining for that manufacturing order. The standard operation hours are based on the operation quantity reported to date. A completed order that gets rescheduled will have zero hours remaining.

DATES. The dates this manufacturing order was scheduled to start, actually started, had the last transaction, was due to be completed, and actually was completed. Completion (completion date), the last date, appears if you chose forward scheduling during application tailoring. Calc Start (calculated to start) appears if you chose backward scheduling.

ITEM DESCRIPTION. The finished item description of the manufacturing order's end item. It is stored in the Manufacturing Order Master record.

UNIT COST. The unit cost of an item determined from receipts manually or by the system. A zero cost extension leaves unit cost (CSTPC) unchanged. The unit cost categories are:

- Average cost
- Last cost
- Standard cost

PROJECTED COST. The standard order projected cost is the original order quantity multiplied by the standard unit order cost. The standard unit order cost is the finished item unit cost selected according to the IM material costing application tailoring option when the order is created during order release. See the preceding definition for unit cost.

DEMAND. The customer order or other top level requirement that generated this manufacturing order or purchase order item. Source of demand information appears only if MRP is installed and interfacing. The user defines the maximum number of demand sources to be printed. Possible values are:

BLENDED The larger of forecast and customer requirements (MSSR=B)

CUSONLY Customer orders (MSSR=C)

Cxxxxxx Customer orders, not combined (MSSR=D or E). The customer order shows in the format of 01-CO-nnnnnnnn.

FORECAST Forecast quantity (MSSR=F)

GENDMND Generated component quantity based on parent planned orders (MSSR not D or E)

Mxxxxxx Manufacturing order number

MANUAL Manually entered demand. Source of demand is optional at time of entry (MSSR=M)

M FCST Manual forecast

M HELD Manual held requirement

M REQMT Manual requirement

SAFETY Safety stock

NEG QOH Negative quantity on hand

P FCST Propagated forecast

P REQMT Propagated requirement

PRODPLN Production planned quantity (MSSR=P)

Sxxxxxx Repetitive Manufacturing order, allocated quantity

XS FCST Forecast quantity in excess of customer requirements (MSSR=D)

COMP ITEM NO./DESCRIPTION. The component item number that identifies this component item and the description of the material component.

WH (Warehouse). The identification code of the warehouse for the material component.

U/M (Unit of Measure). The unit of measure in which the item quantity is expressed.

QUANTITY TO-DATE. The actual material component quantity issued to the shop order since the order was first released. This includes the quantity issued in the current manufacturing period.

STANDARD COST. The standard material cost is the anticipated material cost for this component. It is the original order quantity multiplied by the unit cost of the component. This value is provided here to be used as a comparison to the actual material cost, or manufacturing usage cost, when it is applied to the manufacturing issue quantity. These costs are maintained by IM according to its three material costing options. These options are standard, average, and last unit cost. Regardless of the individual material costing option, this report treats them all as an anticipated standard material cost for reporting purposes.

COST THIS PERIOD. The actual (or transaction) costs accumulated this period with each material issue transaction. The issues costs accumulated this period for a manufacturing material component.

COST TOTAL TO-DATE. The actual (or transaction) costs accumulated total to date with each material issue transaction. The issues costs accumulated total to date for a manufacturing material component.

DATE LAST ISSUE. The date on which the material component was last issued.

OPERATION NO./DESCRIPTION. The operation number and description identifies an operation detail record within a manufacturing order. It identifies a manufacturing step within the routing for the order. The scheduling routine follows the sequence or operations within a manufacturing order to schedule the start and completion dates of each operation. In addition, an estimated completion date for the whole order is determined to be the scheduled completion date of the last operation of that order.

MS (Milestone). The milestone operation type identifies an operation detail record if it belongs to a milestone group of operations.

First sub-operation of a milestone group with:

B no activity
P activity reported
C activity reported complete

Not first or last sub-operation of a milestone group:

S A sub-operation that is between the first and last sub-operations

Last sub-operation of a milestone group:

- J** the end of a job shop
- F** the end of a flow shop

STD FAC (Standard Facility). The standard production facility represents the planned production facility where this operation is to be performed.

ACTUAL FAC (Actual Facility). Actual (or transaction) related routings use this field when it is not blank.

PROC SHEET (Process Sheet). The process sheet number is used to further describe a routing of an end product or item.

TOOL. The tool number is used to identify either a specific special tool or a list of tools needed to perform the operation. The control of a master list of special tools must be done outside of the data base.

ST (Status Code). The operation status code is used to distinguish between open operations with no activity, open operations being worked on, and completed operations. The scheduling and work list (or dispatch operation sequencing) routines use this field to determine the values that go into the time remaining calculations for this operation. The codes are:

- 00** Inactive; not used in scheduling, costing, or activity reporting.
- 10** Active; planned but activity not yet reported.
- 20** Material has been moved to this operation.
- 30** Labor, machine, or outside operation activity reported.
- 40** Operation has been reported as complete.
- 50** All material moved from this operation to next location or next operation.

TBC (Time Basis Code). The time basis code relates the standard operation run unit time fields to expected operation quantities in order to develop standard operation run labor hours, run machine hours, and run labor costs (for outside operations). The codes are:

- blank** hours per unit
- C** cost per piece (for outside operations)
- H** hours per lot
- M** minutes per piece
- P** pieces per hour
- 1** hours per 10 units
- 2** hours per 100 units
- 3** hours per 1,000 units
- 4** hours per 10,000 units

RWK (Rework code). The rework code indicates whether this is a rework operation.

- 0** No
- 1** Yes

START DATE. The scheduled start date of an operation. This date is maintained by the scheduling routine.

DUE DATE. The scheduled completion date of a manufacturing operation. This value is updated in the data base by the first transaction for an operation.

LAST ACTIVE. The date of the last transaction update to this operation.

QUANTITY PERIOD/TO-DATE. The actual (or transaction) quantity complete this period, or to-date, for a manufacturing operation. Both values must relate to the end item order quantity.

COST PER UNIT.

STANDARD. The standard unit cost is the total standard cost divided by the order quantity.

ACTUAL. The actual unit cost is the total to date cost divided by the quantity complete plus scrap (if operation status is 40 or greater), or the expected quantity to be completed (if operation status is 30 or less).

COST ACT/ST (Cost Actual/Standard). The percentage of actual total cost to date to standard cost.

STANDARD, THIS PERIOD, TOTAL, and VARIANCE HOURS/COST. These fields show hours and cost data for setup, labor, overhead, outside operations, total (setup plus labor plus overhead plus outside operations), and machine. The variance shown excludes scrap cost.

CUMULATIVE SCRAP STD COST/ACT COST (Cumulative Scrap Standard Cost/ Actual Cost). The actual (or transaction) scrap cost of the quantity scrapped on a manufacturing order at that particular operation. These values are printed after retrieving the material and operation costs from the detail records of the order. The material costs are applied as a unit cost to each operation according to the operation where used field of the material component records. Both the actual operation and material costs are accumulated as unit costs through the operations and extended as scrap cost by the scrap quantity of each operation as these quantities are extended. Additionally, both the actual operation and material costs are stored together as one summary scrap costs total for the whole order in the manufacturing order history master record. This summary scrap cost value is accumulated and printed on the cost total sheets.

Note: The quantity shown here is the reported scrap for this operation. However, this quantity is adjusted by the average yield in the following steps when calculating the total scrap for the order.

CUMULATIVE STD UNIT COST (Cumulative Standard Unit Cost). The anticipated standard unit costs accumulated through each operation. The cost is calculated using the original order quantity.

DIRECT ORDER COSTS.

SETUP. The sum of total to-date setup cost across all operations.

LABOR. The sum of total to-date labor cost across all operations.

OVERHEAD. The sum of total-to-date overhead cost across all operations. This includes the total to-date machine costs across all operations.

MATL & PUR. The sum of total to-date costs of the components plus the sum of total to-date outside operations cost across all operations.

MISCELLANEOUS. The total to-date cost of all miscellaneous charges that exist for the order.

TOTAL ACTUAL. The accumulated total of Direct Order costs for setup, labor, overhead, material and purchasing, and miscellaneous.

RECEIPT. The **Projected Cost** field value for the parent item of the order; derived as the unit cost times the quantity completed. Represents the value of the material received back into inventory.

DIFFERENCE. The result of **TOTAL ACTUAL** minus **RECEIPT**.

Order History–Accounting Summary (AMIH32)

CARMACK IND.		NO. 01		ORDER HISTORY - ACCOUNTING SUMMARY REPORT				DATE 10/20/**	TIME 12.03.08	PAGE 1	AMIH32
OPER A4		PROJECTED COST/TOTAL		COST VARIANCE/INVENTORY RECEIPTS		*-----ACTUAL COSTS-----*				DUE DATE	
ORD NO/ FINISHED ITEM	WH ST	CD	ACTUAL COST			LABOR/ SETUP	OVERHEAD/ MISCELLANEOUS	MATL & PUR			
M000010 PLSDKS	ATL	55	180.75	91.09-		19.57	40.20	179.47		10/25/**	
PLASTIC DUCKS			271.84	.00		32.60	.00				

To print this report, use option 2 on the Manufacturing Order History menu (AMIMA0) and then option 2 next to a manufacturing order.

Fields

ORD NO/ FINISHED ITEM (Order Number/Item Number). The order number is the control number identification of each manufacturing order kept in the data base.

The item number identifies the manufacturing order's end item. It is stored in the Manufacturing Order Master record.

ITEM DESCRIPTION. The item description of the manufacturing order's end item. It is stored in the Manufacturing Order Master record.

WH (Warehouse). The item warehouse of the manufacturing order's end item. It is stored in the Manufacturing Order Master record.

ST CD (Status Code). The manufacturing order status code that identifies the reported status of an open order. A cancelled order is not printed on a detail report during order closeout.

- 10** Released, but no activity reported.
- 40** Order started; material, outside operations, labor, machine or miscellaneous charges transaction processed.
- 45** IM material receipt to stock has been reported as complete; PC&C has not reported the order as complete (outside operations, labor, machine, and miscellaneous charges).
- 50** PC&C has reported the order as complete (outside operations, labor, machine, and miscellaneous charges); IM material receipt to stock has not been reported as complete.
- 55** Order complete; includes all material, outside operations, labor, machine, and miscellaneous charges.
- 99** Order cancelled; no activity has been reported.

PROJECTED COST/TOTAL. The standard order projected cost is the original order quantity multiplied by the standard unit order cost. The standard unit order cost is the finished item unit cost selected according to the IM material costing application tailoring option when the order is created during order release.

ACTUAL COST. The actual (or transaction) costs accumulated total to date with each labor transaction. The operation costs accumulated total to date for a manufacturing operation.

COST VARIANCE/INVENTORY RECEIPTS. The cost variance is the difference between projected and total actual costs.

Inventory receipts represents the value of the manufacturing order received into inventory.

ACTUAL COSTS. A breakdown of total actual cost into setup, labor, overhead (labor overhead), material and purchase, and miscellaneous.

DUE DATE. The manufacturing order due date identifies the date an end item is needed. The date can be established by a planner in MRP or IM. It is used in the time basis code routines for calculating standard operation time. It is also used in the work list (or dispatch operation sequencing) to prioritize the work at each work center.

Order History—Archive Content (AMIH4A)

HERDER CO.	NO. 01	Order History	DATE 11/01/
** TIME 14.29.42	PAGE 1	AMIH4A	
Archive Content Report			
Archive Number	1	Archive Date	10/31/**
Closeout Date	From 8/31/**	Archive Time	14:10:36
	To 8/31/**	Archive Level	0
			Item Ord.
Order/			
Schedule	Item	Customer WH Job Reference	Description
			Due Date
			Item Planner
			Acct. Class
			Acct. Class
			Closeout Date
			Unit Cost
			Prod. Line
			Select Number

M00010	MPP101	MPA 123456789999	MPA PARENT 101	9/11/**	111	MPP1		8/31/**	85.25000000-	111111
M000100	MPP201	MPA	MPA PARENT 201	9/11/**	111	MPP1		8/31/**	85.05000000	
M000190	MPP301	MPA	MPA PARENT 301	9/11/**	111	MPP1		8/31/**	77.20000000	
M000280	MPP401	MPA	MPA PARENT 401	9/11/**	111	MPP1		8/31/**	85.25000000	
M000370	MPP501	MPA	MPA PARENT 501	9/11/**	111	MPP1		8/31/**	85.25000000	
M000530	MPA201	MPA	MPA ASSEMBLY 2	9/25/**	222	MPA1		8/31/**	11.05000000	
M000950	MPA202	MPA	MPA ASSEMBLY 2	9/25/**	444	MPA2		8/31/**	21.25000000	

Note: This report requires a printer capable of compressed print.

To print this report, use option 3 on the Manufacturing Order History menu (AMIMA0) and then option 6 next to an archive.

Fields

Archive Number. The number the system assigned to the archive group when the information was saved to tape.

Closeout Date. The closeout date you entered when archiving.

Archive Date/Time. The date and time you ran the archive.

Archive Level. This field identifies the database level at which the archive was saved. It will always be zero until the next modification of MAPICS XA, which may change the files. In the future, it will indicate that an archive will require special processing to restore the data back into the history files.

Order/Schedule. The control number for manufacturing orders or the number assigned by the system to each schedule in the data base.

Item. A number which serves to uniquely identify an item.

WH (Warehouse). The finished item warehouse of the manufacturing order's end item. It is stored in the Manufacturing Order Master record.

Customer Job. The customer job number associated with the schedule or order.

Reference. The user-defined code used to provide additional information.

Description. The finished item description of the manufacturing order's end item. It is stored in the Manufacturing Order Master record.

Due Date. The scheduled completion date of a manufacturing operation. This value is updated in the data base by the first transaction for an operation.

Planner. A code identifying the person responsible for planning the replenishment strategy of this item.

Item Class. A user-assigned code identifying the class for this item.

Item Acct. Class. A user-defined control number used to classify items for accounting purposes.

Order Acct. Class. A user-defined control number used to classify orders for accounting purposes.

Closeout Date. The date you purged the order or schedule from the open order data base.

Unit Cost. The unit cost of an item entered manually or calculated from receipts by the system. A zero cost extension leaves unit cost (CSTPC) unchanged. The unit cost categories are:

- Average cost
- Last cost
- Standard cost.

Prod. Line. A range of production lines to review schedules from Repetitive Production Management.

Select Number. The number used to define the features and options of this end item.

Order History—Orders Archived/Deleted/Erased (AMIH45)

HERDER CO.	No. 01	Order History Reports	Date 11/02/**	Time 9.43.12	Page 1	AMIH45	
		Orders Archived/Deleted/Erased					
Archive Number	4	Archive Date		11/02/**			
Closeout Date	From 11/01/**	Archive Time		9:43:07			
	To 11/01/**	Archive Level					
Order/Schedule	Archived	Deleted	Erased	Order/Schedule	Archived	Deleted	Erased
S000001	Y			S000002	Y		
S000003	Y			S000004	Y		
S000005	Y			S000006	Y		
S000007	Y			S000008	Y		
S000009	Y			S000010	Y		

To print this report, use option 3 on the Manufacturing Order History menu (AMIMA0).

This report indicates that history information is archived, deleted, or erased. The field descriptions are the same as for the Order History Archive Content (AMIH4A) report.

Order History—Orders Restored/Recovered (AMIH48)

HERDER CO.	No. 01	Order History Reports	Date 11/02/**	Time 9.49.40	Page 1	AMIH48
		Orders Restored/Recovered				
Archive Number	4	Archive Date	11/02/**			
Closeout Date	From 11/01/**	Archive Time	9:43:07			
	To 11/01/**	Archive Level	0			
Order/Schedule		Order/Schedule				
S000001		S000002				
S000003		S000004				
S000005		S000006				
S000007		S000008				
S000009		S000010				

To print this report, use option 3 on the Manufacturing Order History menu (AMIMA0).
The field descriptions are the same as for the Order History Archive Content (AMIH4A) report.

Order History—Production Detail (AMIH33)

CARMACK IND.		NO. 01	ORDER HISTORY - PRODUCTION DETAIL REPORT				DATE 10/20/**	TIME 12.14.09	PAGE 1	AMIH33			
ORDER WH ST JOB		DPT MULTI-ORD	PLANNER ORDER	* - - - - Q U A N T I T Y - - - -			OPER A4	PAGE IN ORDER	1	DATES			
FINISHED ITEM CD NUMBER		IAC REFERENCE	OAC QUANTITY	IN SPLITS/	COMPLETED	OPEN/	SCRAPPED	REMAINING	START	0/00/00			
M000010	ATL 55 01-C01234567	REP4	100.00	.000	99.000	.000	.000	.00	ACTUAL ST	10/20/**			
PLSDKS		BCB MOH REPORT AAA		.000		1.000			LAST TRAN	10/20/**			
ITEM DESCRIPTION-- PLASTIC DUCKS									DUE	10/25/**			
DEMAND: P REQMT									ACTL CMPLT	10/20/**			
01-C00000006/0030000/00001		M FCST	01-C00000006/0030000/00002	M REQMT	01-C00000006/0030000/00003	S SAFETY							
COMPONENT	WH		U/	*-----QUANTITY-----*		STK LOC	OP	START	REQUIRED	DATE			
ITEM NUMBER	DESCRIPTION		/M	STD/PERIOD	TO-DATE	COST-TO-DATE	OPER	USED	DATE	LAST ISS			
BLUPNT	ATL BLUE PAINT		PT	10.000	10.000	A1B121	10/20/**	10/20/**					
				.000		7.00	0040			10/20/**			
CRDBX45	ATL 4' X 5' CARDBOARD BOX		EA	20.000	20.000	A1B121	10/20/**	10/20/**					
				.000		123.75	0040						
TOTAL-TO-DATE COST--						179.47							
OPER NO.	M	FAC	PROC/ OP	TBC	START/	ACTUAL/	PERIOD QTY	SETUP HRS	MACH. HRS	LABOR HRS	PCS/HR	TIME	CREW
DESCRIPTION	S	ST/ACT	CR YLD	ST RWK	DUE	ACTIVE	TO-DATE QTY	ACT/VAR	ACT/VAR	ACT/VAR	STD/ACT	ACT/STD	TOOLS
(* = OUTSIDE OPERATION)													
DEMAND: P REQMT		M FCST		M REQMT		SAFETY							
01-C00000006/0030000/00001		01-C00000006/0030000/00002		01-C00000006/0030000/00003		P REQMT							
0010	PLP01	40	2	10/20/**	10/20/**	.000	5.00	15.00	6.50	.00	313	PCT	1
MELT PELLETS	PLP01	1.000	0	10/20/**	10/20/**	99.000	4.80-	14.55-	6.35-	.10			
0020	PLP02	40	2	10/20/**	10/20/**	.000	1.50	.50	.00	.00	274	PCT	2
MOLD FORMS	PLP02	1.000	0	10/20/**	10/20/**	99.000	1.20-	.25-	.18	.00			
TOTAL ACTUAL HOURS--						6.50	15.50	6.50					
TOTAL VARIANCE HOURS--						5.08-	11.65-	5.88-					
W AM-5512 NO MISC CHARGES FOR THIS ORDER													
DIRECT	SETUP			OVERHEAD		MISCELLANEOUS		TOTAL ACTUAL	RECEIPT	DIFFERENCE			
ORDER		LABOR			MATL & PUR								
COSTS--	32.60			40.20		.00		271.84	.00	271.84			

To print this report, use option 2 on the Manufacturing Order History menu (AMIMA0) and then option 3 next to a manufacturing order.

Fields

ORDER. The order number is the control number identification of each manufacturing order kept in the data base.

FINISHED ITEM. The item number of the manufacturing order's end item. It is stored in the Manufacturing Order History Master record.

WH (Warehouse). The finished item warehouse of the manufacturing order's end item. It is stored in the Manufacturing Order History Master record.

ST CD (Status Code). The manufacturing order status code that identifies the reported status of an open order. A cancelled order is not printed on a detail report during order closeout.

- 10** Released, but no activity reported.
- 40** Order started; material, outside operations, labor, machine or miscellaneous charges transaction processed.

- 45** IM material receipt to stock has been reported as complete; PC&C has not reported the order as complete (outside operations, labor, machine, and miscellaneous charges).
- 50** PC&C has reported the order as complete (outside operations, labor, machine, and miscellaneous charges); IM material receipt to stock has not been reported as complete.
- 55** Order complete; includes all material, outside operations, labor, machine, and miscellaneous charges.
- 99** Order cancelled; no activity has been reported.

JOB NUMBER. The number used to relate this manufacturing order to a specific customer job number.

DPT (Department). The department number is a reference field, like planner code, for this item for printing purposes.

IAC (Item Accounting Class). A code used to group or classify items for accounting purposes.

MULTI-ORD REFERENCE. The multi-order reference number is used for printing and selection purposes. Any meaningful value can be used.

PLANNER. A code identifying the person responsible for planning the replenishment strategy of this item.

OAC (Order Accounting Class). A code used to group or classify orders for accounting purposes.

ORDER QUANTITY. The original or "on-order" quantity as currently indicated in the Manufacturing Order Master file.

QUANTITY. This field consists of the following parts:

IN SPLITS. If this is a base order, it may have a proportion of the original order quantity included in a split order.

DEVIATION. A quantity used to adjust the total order quantity after the order status changes from 10.

COMPLETED. The total quantity reported to date that has been recorded through IM as having been received in stock against this manufacturing order.

OPEN. The quantity remaining open on this manufacturing order.

SCRAPPED. The total quantity scrapped within a manufacturing order on shop activity labor transactions.

SCHED HOURS REMAINING. The hours remaining to be worked on a manufacturing order is a summation of the standard operation hours remaining for that manufacturing order. The standard operation hours are based on the operation quantity reported to date. A completed order that gets rescheduled will have zero hours remaining.

DATES. The dates this manufacturing order was scheduled to start, actually started, had the last transaction, was due to be completed, and actually was completed. Completion (completion date), the last date, appears if you chose forward scheduling during application tailoring. Calc Start (calculated to start) appears if you chose backward scheduling.

ITEM DESCRIPTION. The finished item description of the manufacturing order's end item. It is stored in the Manufacturing Order History Master record.

DEMAND. The customer order or other top level requirement that generated this manufacturing order or purchase order item. Source of demand information appears only if MRP is installed and interfacing. The user defines the maximum number of demand sources to be printed. Possible values are:

BLENDED The larger of forecast and customer requirements (MSSR=B)

CUSONLY Customer orders (MSSR=C)

Cxxxxxx Customer orders, not combined (MSSR=D or E). The customer order shows in the format of 01-CO-nnnnnnnn.

FORCAST Forecast quantity (MSSR=F)

GENDMND Generated component quantity based on parent planned orders (MSSR not D or E)

Mxxxxxx Manufacturing order number

MANUAL Manually entered demand. Source of demand is optional at time of entry (MSSR=M)

M FCST Manual forecast

M HELD Manual held requirement

M REQMT Manual requirement

SAFETY Safety stock

NEG QOH Negative quantity on hand

P FCST Propagated forecast

P REQMT Propagated requirement

PRODPLN Production planned quantity (MSSR=P)

Sxxxxxx Repetitive Manufacturing order, allocated quantity

Xxxxxxx Intersite transfer order

XS FCST Forecast quantity in excess of customer requirements (MSSR=D)

COMPONENT ITEM NUMBER. This number identifies this component item.

WH (Warehouse). The identification code of the warehouse for the material component.

DESCRIPTION. The description of the material component.

U/M (Unit of Measure). The unit of measure in which the item quantity is expressed.

QUANTITY.

STD (Standard). The total standard material component quantity required is the component quantity normally issued for an order of the released order size. This value is calculated by multiplying the original order quantity against the component quantity per. If there is a fraction, the next higher whole number is used.

PERIOD. The issued quantity this period is the actual material component quantity issued to the shop order in the current manufacturing period.

TO-DATE. The issued quantity total to date is the actual material component quantity issued to the shop order since the order was first released. This includes the quantity issued in the current manufacturing period.

STK LOC (Stock Location). This inventory location is the warehouse stocking location of the material component.

COST-TO-DATE. This is the actual (or transaction) costs accumulated total to date with each labor transaction. The operation costs accumulated total to date for a manufacturing operation.

OP START (Operation Start). The scheduled start date of a manufacturing order or operation.

OPER USED (Operation Used). The operation where used identifies the manufacturing step within an order that a component issue is first used.

REQUIRED DATE. The date at which the material component quantity needs to be present for the shop order.

DATE LAST ISS (Date Last Issued). The date on which the material component was last issued.

OPERATION NO. The operation number identifies an operation detail record within a manufacturing order. It identifies a manufacturing step within the routing for the order. The scheduling routine follows the sequence or operations within a manufacturing order to schedule the start and completion dates of each operation. In addition, an estimated completion date for the whole order is determined to be the scheduled completion date of the last operation of that order.

DESCRIPTION. The operation detail description of the individual operation in a manufacturing order.

MS (Milestone). The milestone operation type identifies an operation detail record if it belongs to a milestone group of operations.

First sub-operation of a milestone group with:

- B** no activity
- P** activity reported
- C** activity reported complete

Not first or last sub-operation of a milestone group:

- S** A sub-operation that is between the first and last sub-operations

Last sub-operation of a milestone group:

- J** the end of a job shop
- F** the end of a flow shop

FAC (Facility).

ST (Standard). The standard production facility represents the planned production facility where this operation is to be performed.

ACT (Actual). Actual (or transaction) related routings use this field when it is not blank.

PROC (Process). The process sheet number is used to further describe a routing of an end product or item.

CR YLD (Current Yield). The percentage that represents today's or the near-term future expected amount of the parent item that remains in the production process at the end of an operation compared to the amount available at the start of the operation. The default is 1.000 (100%).

OP ST (Operation Status). The operation status code is used to distinguish between open operations with no activity, open operations being worked on, and completed operations. The scheduling and work list (or dispatch operation sequencing) routines use this field to determine the values that go into the time remaining calculations for this operation. The codes are:

- 00** Inactive; not used in scheduling, costing, or activity reporting.
- 10** Active; planned but activity not yet reported.
- 20** Material has been moved to this operation.
- 30** Labor, machine, or outside operation activity reported.
- 40** Operation has been reported as complete.
- 50** All material moved from this operation to next location or next operation.

TBC (Time Basis Code). The time basis code relates the standard operation run unit time fields to expected operation quantities in order to develop standard operation run labor hours, run machine hours, and run labor costs (for outside operations). The codes are:

- blank** hours per unit
- C** cost per piece (for outside operations)
- H** hours per lot
- M** minutes per piece
- P** pieces per hour
- 1** hours per 10 units
- 2** hours per 100 units
- 3** hours per 1,000 units
- 4** hours per 10,000 units

RWK (Rework). The rework code indicates whether this is a rework operation.

- 0** No
- 1** Yes

START. The scheduled start date of an operation. This date is maintained by the scheduling routine.

DUE. The scheduled due date is the scheduled completion date of a manufacturing operation. It is calculated by the scheduling routine.

ACTUAL. The actual start date of a manufacturing operation. This value is updated into the data base by the first transaction for an operation.

ACTIVE. The last activity date is the date of the last transaction update to this operation.

PERIOD QTY (Period Quantity).

TO-DATE QTY (To-Date Quantity): The total quantity complete this period and total to date is the actual (or transaction) quantity for a manufacturing operation. Both values must relate to the end item order quantity.

SETUP, MACH., and LABOR HRS ACT/VAR. These fields show the actual hours and the hours of variance from standard. The standard hours are calculated based on the total quantity complete to date, including scrap, for the operation. If the operation has a status less than 30, the variances will all be zero.

SETUP HRS ACT/VAR. The setup labor hours to date.

MACH. HRS ACT/VAR. The setup machine hours and run machine hours total to date.

LABOR HRS ACT/VAR. The run labor hours total to date.

Note: The setup, machine, and labor values printed on the report for operations with a Time Basis Code (TBCDE) of M (minutes) are converted to hours for printing and calculations.

PCS/HR STD/ACT (Pieces/Hour Standard/Actual). This is the standard and actual hours to complete a piece. This value is the production ratio for the operation. The ratio can be expressed in hours per piece or pieces per hour, based on the production ratio install option. The type of hours accumulated for this ratio is based on the prime load code of the production facility associated with the operation.

TIME ACT/STD (Time Actual/Standard). These values relate reported performance against standards for each operation. A value of 100 percent means that performance matches standard. A value greater than 100 percent means that actuals are greater than standard values. This value does not show an employee's efficiency. Effectivity is the inverse of efficiency.

TOOLS. The tool number is used to identify either a specific special tool or a list of tools needed to perform the operation. The control of a master list of special tools must be done outside of the data base.

CREW SIZE. The setup crew size is the number of people required to set up this manufacturing operation.

DIRECT ORDER COSTS.

SETUP. Actual total to-date setup hours multiplied by setup rate.

LABOR. Actual total to-date labor hours multiplied by labor rate.

OVERHEAD. Actual total to-date overhead (labor overhead) costs.

MATL & PUR(Material and Purchase). Actual (or transaction) total cost with each material issue transaction.

MISCELLANEOUS. Actual total to-date miscellaneous costs.

TOTAL ACTUAL. Accumulated actual setup, labor overhead (labor overhead), miscellaneous, and material and purchase direct costs to date.

RECEIPT. Value of the material received back into inventory.

DIFFERENCE. The difference between total actual cost and value of material received into inventory.

Order History–Production Summary (AMIH31)

CARMACK IND.	NO. 01	ORDER HISTORY -	PRODUCTION SUMMARY REPORT	DATE 10/20/**	TIME 12.03.07	PAGE 1	AMIH31
ORD NO/ FINISHED ITEM	W ST	DEPT REFERENCE/	M DUE DATE/	ORDER QUANTITY	--OPS--	----CURRENT OPERATION----	PREV OP QTY CMP
ITEM DESCRIPTION	H CD	JOB NUMBER	PLANNER S	HRS REM	ACT CMP	OP W/C	QUANTITY COMP
M000010 PLSDKS	ATL 55	REP4 MOH REPORT	10/25/**	100.000	5	0060 PLP06	99.000
PLASTIC DUCKS		01-C00000001 040321		.00			10/20/**

To print this report, use option 2 on the Manufacturing Order History menu (AMIMA0) and then option 1 next to a manufacturing order.

Fields

ORD NO/ FINISHED ITEM (Order Number/Item Number). The order number is the control number identification of each manufacturing order kept in the data base.

The item number identifies the manufacturing order's end item. It is stored in the Manufacturing Order History Master record.

ITEM DESCRIPTION. The item description of the manufacturing order's end item. It is stored in the Manufacturing Order History Master record.

WH (Warehouse). The item warehouse of the manufacturing order's end item. It is stored in the Manufacturing Order History Master record.

ST CD (Status Code). The manufacturing order status code that identifies the reported status of an open order. A cancelled order is not printed on a detail report during order closeout.

- 10** Released, but no activity reported.
- 40** Order started; material, outside operations, labor, machine or miscellaneous charges transaction processed.
- 45** IM material receipt to stock has been reported as complete; PC&C has not reported the order as complete (outside operations, labor, machine, and miscellaneous charges).
- 50** PC&C has reported the order as complete (outside operations, labor, machine, and miscellaneous charges); IM material receipt to stock has not been reported as complete.
- 55** Order complete; includes all material, outside operations, labor, machine, and miscellaneous charges.
- 99** Order cancelled; no activity has been reported.

JOB NUMBER. The number used to relate this manufacturing order to a specific customer job number.

DEPT (Department). The department number is a reference field, like planner code, for this item for printing purposes.

REFERENCE. The reference number is used for printing and selection purposes. Any meaningful value can be used.

PLANNER. A code identifying the person responsible for planning the replenishment strategy of this item.

MS (Milestone). The milestone operation type identifies an operation detail record if it belongs to a milestone group of operations.

First sub-operation of a milestone group with:

B no activity
P activity reported
C activity reported complete

Not first or last sub-operation of a milestone group:

S A sub-operation that is between the first and last sub-operations

Last sub-operation of a milestone group:

J the end of a job shop
F the end of a flow shop

DUE DATE. The manufacturing order due date identifies the date an end item is needed. The date can be established by a planner in MRP or IM. It is used in the time basis code routines for calculating standard operation time. It is also used in the work list (or dispatch operation sequencing) to prioritize the work at each work center.

HRS REM (Hours Remaining). The hours remaining to be worked on a manufacturing order is a summation of the standard operation hours remaining for that manufacturing order. The standard operation hours are based on the operation quantity reported to date. A completed order that gets rescheduled will have zero hours remaining.

ORDER QUANTITY. The quantity released to the shop floor at the first operation. It cannot be the original order quantity. This value is the original order quantity minus the quantity in split orders (for a base order) plus the quantity deviation.

OPS (Operations).

ACT (Active). The number of active operations detail records in the order detail of a manufacturing order.

CMP (Complete). The number of completed operations detail records in the order detail of a manufacturing order.

CURRENT OPERATION.

OP (Operation). The current operation sequence number is used to identify the first open operation (OPSTC=20 or 30) after the last completed operation (OPSTC=40 or 50) in a manufacturing order.

W/C (Work Center). The grouping of workers or machines used to perform the operation.

QUANTITY COMP (Quantity Complete). The current operation quantity complete is the quantity worked on the first open operation being worked

(OPSTC=20 or 30) after the last completed operation (OPSTC=40 or 50) in a manufacturing order.

PREV OP QTY CMP (Previous Operation Quantity Complete). This is the quantity complete on the last complete operation previous to the current operation within a manufacturing order. This value does not include any quantity scrapped.

DATE LAST ACT (Date Last Activity). This is the date the last inventory or shop activity update transaction was processed against the open order.

Order History Reports–Selected Orders/Schedules (AMIH30)

HERDER CO.	No. 01	Order History Reports Selected Orders/Schedules	Date 11/02/**	Time 14.16.20	Page 1	AMIH30
Sort Sequence Order/Schedule M000010	Options 1234	Order/Schedule S000003	Options 5			

To print this report, use option 2 on the Manufacturing Order History menu (AMIMA0). This report shows the orders/schedules you selected for which reports are to print.

Fields

Sort Sequence. The sequence in which reports will show orders or schedules.

Order/Schedule. The control number for manufacturing orders or for REP schedules.

Options. There are up to four report formats for each order selected. The options are:

- 1 Production summary shows finished item, planner, and quantities for a manufacturing order.
- 2 Accounting summary shows projected, total cost, cost variance, and cost information for a manufacturing order.
- 3 Production detail shows quantities, hours, actual and variance for components for a manufacturing order, including the following:
 - Component items
 - Units of measure
 - Floor stock codes
 - Quantities
 - Dates
- 4 Accounting detail shows quantities, costs, and hours for an operation.
- 5 Repetitive schedule shows quantities, dates, costs, and components for a schedule.

Order Release Batch Control Update--Purchase/Manufacture (AMI4X)

GATEWAY MFG CO	ORDER RELEASE BATCH CONTROL UPDATE PURCHASE/MANUFACTURE	DATE 8/10/**	TIME 19.55.25	PAGE 1	AMI4X
BATCH NUMBER	7	--- BATCH UPDATED ---			
RECORD COUNT-	24				
WORK STATION-	E2				
OPERATOR ID-	JBD				
BATCH NUMBER-	8	--- BATCH UPDATED ---			
RECORD COUNT-	22				
WORK STATION-	E2				
OPERATOR ID-	JBD				

To print this report, use option 2 or option 3 on the Order Release and Closeout menu (AMIM40).

Fields

BATCH NUMBER. Batch number updated or deleted.

RECORD COUNT. The number of records in batch.

WORK STATION. Work station ID.

OPERATOR ID. The identification of the operator who created or deleted this batch.

Order Release Batch Extract and B/M Explosion (AMI4M)

GATEWAY MFG CO.	ORDER RELEASE BATCH EXTRACT AND B/M EXPLOSION	DATE 8/10/**	TIME 10.20.49	PAGE 1	AMI4M
--- BATCH NUMBER 6 ---					
FILE- POITEM	RECORDS TO BE UPDATED-	0	RECORDS TO BE ADDED-	0	
MOMAST		9		0	
MODATA				68	
CODATA				0	
MOROUT				25	
MODESC				12	
MOMISC				2	
--- JOB TOTALS ---					
FILE- POITEM	RECORDS TO BE UPDATED-	0	RECORDS TO BE ADDED-	0	
MOMAST		9		0	
MODATA				68	
CODATA				0	
MOROUT				25	
MODESC				12	
MOMISC				2	

To print this report, use option 2 or option 3 on the Order Release and Closeout menu (AMIM40).

Fields

BATCH NUMBER. A message is printed below the Batch Number when a partially completed run has to be restarted. Refer to "Order Release Summary and Material Detail Update (AMI4N)" for an example of this message.

FILE. The following master files are affected by order release:

- POITEM
- MOMAST
- MODATA
- CODATA
- MOROUT (if PC&C is interfacing)
- MODESC (if PC&C is interfacing)
- MOMISC (if PC&C is interfacing).

RECORDS TO BE UPDATED. The number of records to be changed in this batch.

RECORDS TO BE ADDED. The number of records to be added to this batch.

JOB TOTALS. The total records to be updated and added for all batches released.

Order Release Summary and Material Detail Update (AMI4N)

GATEWAY MFG CO	ORDER RELEASE SUMMARY AND MATERIAL DETAIL UPDATE --- BATCH NUMBER 144 ---	DATE 8/10/** TIME 10.23.36	PAGE 1 AMI4N
		ORDER RELEASE RESTART OCCURRED AT THIS ORDER RUN ALLOCATION QTY AUDIT/ON-ORDER QTY AUDIT	
FILE- ITEMBL	RECORDS UPDATED-	6	RECORDS ADDED- 0
POMAST		0	0
POITEM		0	0
MOMAST		9	0
POBLKT			0
MODATA			68
REQUINQ			0

To print this report, use option 2 or option 3 on the Order Release and Closeout menu (AMIM40).

Fields

BATCH NUMBER. This message and order information are printed when a partially completed run has to be restarted. It is recommended that you confirm that the restart was successful by selecting option 11, Allocation Quantity Audit, and then option 10, On-Order Quantity Audit, on menu AMIM70. This message can also appear on the Order Release Batch Extract and B/M Explosion report (AMI4M).

FILE. The following master files are affected by order release:

- ITEMBL
- POMAST
- POITEM
- MOMAST
- POBLKT
- MODATA
- REQUINQ

Order Shortage Report--Order Release (AMI4W2)

MAPICS/DB	ORDER SHORTAGE REPORT				DATE 2/08/**	TIME 17.11.11	PAGE 1	AMI4W2
	--- ORDER RELEASE ---				OPER M4			
ORDER/SCHED	ITEM	WH	DESCRIPTION	PLANNER	START DATE	DUE DATE	ORDER QTY	
M000300	PLSDKS	ATL	PLASTIC DUCKS	0	2/08/**	11/25/**	10.000	
DEMAND: P REQMT			M FCST		M REQMT		SAFETY	
		01-C00000006/0030000/00001	01-C00000006/0030000/00002		01-C00000006/0030000/00003		P REQMT	
COMPONENT	WH	DESCRIPTION	TYP	REQ DATE	REQ QTY	QUANTITY SHORT	JIT	
BLUPNT	ATL	BLUE PAINT	4	2/08/**	1.000	1.000	SHORT	***
PLSPEL	ATL	PLASTIC PELLETS	4	2/08/**	10.000	10.000	SHORT	***
SLTSOL	ATL	SOLIDIFYING SOLUTION	4	2/08/**	10.000	10.000	SHORT	***
YELPNT	ATL	DAISY YELLOW PAINT	4	2/08/**	3.300	3.300	SHORT	***
RESELT	ATL	REINFORCED SEALING TAPE	4	2/08/**	1.000			
ORDER/SCHED	ITEM	WH	DESCRIPTION	PLANNER	START DATE	DUE DATE	ORDER QTY	
M000310	PLSDKS	ATL	PLASTIC DUCKS	0	2/08/**	12/15/**	10.000	
DEMAND: P REQMT								
COMPONENT	WH	DESCRIPTION	TYP	REQ DATE	REQ QTY	QUANTITY SHORT	JIT	
BLUPNT	ATL	BLUE PAINT	4	2/08/**	1.000	1.000	SHORT	***
PLSPEL	ATL	PLASTIC PELLETS	4	2/08/**	10.000	10.000	SHORT	***
SLTSOL	ATL	SOLIDIFYING SOLUTION	4	2/08/**	10.000	10.000	SHORT	***
YELPNT	ATL	DAISY YELLOW PAINT	4	2/08/**	3.300	3.300	SHORT	***
RESELT	ATL	REINFORCED SEALING TAPE	4	2/08/**	1.000			
NUMBER OF ORDERS CHECKED -		2	ORDERS SHORT -		2			

To print this report, use option 2 or option 3 on the Order Release and Closeout menu (AMIM40).

Note: The shortage quantities on this report are calculated using total allocations and, as such, are not time-phased.

Fields

ORDER. The control number for manufacturing orders.

ITEM. The end item number.

WH. The warehouse in which the item will be stocked.

DESCRIPTION. Description of the parent item.

PLANNER. A code identifying the person responsible for planning the replenishment strategy of this item.

START DATE. The order start date.

DUE DATE. The order due date.

ORDER QTY. The quantity of the finished item being manufactured on this order.

DEMAND. The customer order or other top level requirement that generated this manufacturing order or purchase order item. Source of demand information appears only if MRP is installed and interfacing. The user defines the maximum number of demand sources to be printed. Possible values are:

BLENDED The larger of forecast and customer requirements (MSSR=B)

CUSONLY Customer orders (MSSR=C)

Cxxxxxx Customer orders, not combined (MSSR=D or E). The customer order shows in the format of 01-CO-nnnnnnnn.

FORCAST Forecast quantity (MSSR=F)

GENDMND Generated component quantity based on parent planned orders (MSSR not D or E)

Mxxxxxx Manufacturing order number

MANUAL Manually entered demand. Source of demand is optional at time of entry (MSSR=M)

M FCST Manual forecast

M HELD Manual held requirement

M REQMT Manual requirement

SAFETY Safety stock

NEG QOH Negative quantity on hand

P FCST Propagated forecast

P REQMT Propagated requirement

PRODPLN Production planned quantity (MSSR=P)

Sxxxxxx Repetitive Manufacturing order, allocated quantity

XS FCST Forecast quantity in excess of customer requirements (MSSR=D)

COMPONENT. The component item number.

WH. The warehouse in which the component item is stocked.

DESCRIPTION. Description of the component item.

TYP. The component item type. Valid types are:

F	Feature
0	Phantom
1	Assembly or subassembly
2	Fabricated item
3	Raw material
4	Purchased item
9	User option

REQ DATE. Date the component item is required.

REQ QTY. The quantity of the component item needed to produce the order.

QUANTITY SHORT. The additional quantity necessary to complete this order and all preceding orders released.

SHORT. Components with insufficient available quantity (on hand minus allocated) are flagged.

JIT. A "Y" appears if this is a "just-in-time" component, which means that the user is responsible for its replenishment. A component is a JIT component if the line location is equal to the default stock location. This field appears only if Repetitive is installed and interfacing.

ON THIS ORDER xxx CAN BE MADE. xxx is the number of finished items that can be made with available components. This field is printed only if some items can be made.

NUMBER OF ORDERS CHECKED. The number of orders in the batch(es) being released.

ORDERS SHORT. Only orders with shortages are printed on the report.

Outstanding GRNs (AMIGB2)

NORTHCREEK IND.		OUTSTANDING GRNS				DATE 8/10/** TIME 16.00.16 PAGE 1 AMIGB2				
GRN	GRN DATE	GRN AMOUNT	ITEM	WH	QUANTITY	U/M	VENDOR	ORDER	QC	INSPECTED
GRN#-0987-654-3210-987-654	6/18/**	1860.0000	200214	ATL	20.000	EA	100150	P000011	YES	
GRN#-0987-456-3219-978-564	6/06/**	75.0000	200223	ATL	5.000	CS		P000003	YES	
GRN#-0897-456-2391-789-456	6/05/**	135.0000	200207	ATL	5.000	EA	233	PURCH10	YES	
GRN#-0789-455-9231-789-655	3/06/**	424.0000	200205	ATL	4.000	EA		P900001	YES	
TOTAL AMOUNT OF GRNS LISTED		2494.0000								

*** END OF PRINT ***

To print this report, use option 7 on the Inventory Reports menu (AMIM22). Then use option 2, GRN Sequence, on the Select panel, AMIGA1.

Fields

GRN. The goods received note number.

GRN DATE. The date the GRN was entered.

GRN AMOUNT. The item value associated with the GRN.

ITEM. A number which serves to uniquely identify an item.

WH. The warehouse where the item is located.

QUANTITY. The item quantity associated with the GRN.

U/M. The stocking unit of measure.

VENDOR. The vendor number associated with the GRN.

ORDER. The control number for manufacturing orders.

QC INSPECTED. Indicates whether or not the item has been inspected.

TOTAL AMOUNT OF GRNS LISTED. The sum of the **GRN AMOUNT** column.

Outstanding GRNs by Vendor (AMIGB3)

NORTHCREEK IND.		OUTSTANDING GRNS BY VENDOR				DATE 8/10/**	TIME 16.00.16	PAGE 1	AMIGB3
GRN	GRN DATE	GRN AMOUNT	ITEM	WH	QUANTITY	U/M	VENDOR	ORDER	QC INSPECTED
GRN#-0987-654-3210-987-654	6/06/**	700.0000	200205	ATL	4.000	EA	000596	P900001	YES
GRN#-0988-456-3211-789-456	6/03/**	500.0000	200223	ATL	5.000	CS	000596	P000003	YES
TOTAL AMOUNT OF OUTSTANDING GRNS FOR VENDOR		000596	1200.0000						
GRN#-123-4567-0123-789-345	6/18/**	350.0000	200214	ATL	.000	EA	100150	P000011	NO
TOTAL AMOUNT OF OUTSTANDING GRNS FOR VENDOR		100150	350.0000						
GRN#-231-6543-2341-987-234	6/05/**	80.0000	200207	ATL	5.000	EA	233	PURCH10	YES
TOTAL AMOUNT OF OUTSTANDING GRNS FOR VENDOR		209233	80.0000						
TOTAL AMOUNT OF GRNS LISTED		1630.0000							

*** END OF PRINT ***

To print this report, use option 7 on the Inventory Reports menu (AMIM22). Then use option 3, Vendor Sequence, on the Select panel, AMIGA1.

Fields

GRN. The goods received note number.

GRN DATE. The date the GRN was entered.

GRN AMOUNT. The item value associated with the GRN.

ITEM. The item number of this GRN.

WH. The warehouse where the item is located.

QUANTITY. The item quantity associated with the GRN.

U/M. The stocking unit of measure.

VENDOR. The vendor number associated with the GRN.

ORDER. The control number for manufacturing orders.

QC INSPECTED. Indicates whether or not the item has been inspected.

TOTAL AMOUNT OF OUTSTANDING GRNS FOR VENDOR. This field shows the vendor number and the amount of the GRNs listed for that vendor.

TOTAL AMOUNT OF GRNS LISTED. The sum of the **GRN AMOUNT** column.

Outstanding GRNs with QC Inspection Complete (AMIGB1)

GATEWAY MFG CO		OUTSTANDING GRNS WITH QC INSPECTION COMPLETE				DATE 8/10/**	TIME 16.00.16	PAGE 1	AMIGB1
						OPER 33			
GRN	GRN DATE	GRN AMOUNT	ITEM	WH	QUANTITY	U/M	VENDOR	ORDER	
GRN#-0987-654-3210-987-654	1/23/**	150.0000	1752656	ATL	650.000	EA	1000	P000110	
0003289087231	5/14/**	50.0000	10819	ATL	50.000	EA		P000040	
101867234567	4/01/**	.0000	39028	ATL	200.000	EA		P000009	
1018688801	5/18/**	.0000	51276	ATL	20.000	EA		P000030	
1039470000	4/17/**		10819	ATL	225.000	EA		P000040	
TOTAL AMOUNT OF GRNS LISTED		200.0000							

*** END OF PRINT ***

To print this report, use option 7 on the Inventory Reports menu (AMIM22). Then use option 1, QC Inspection Complete, on the Select panel, AMIGA1.

This report shows outstanding goods received notes for items that have completed quality control inspection. Outstanding goods received notes are those which have not yet been matched to an invoice.

Fields

GRN. The goods received note number.

GRN DATE. The date the GRN was entered.

GRN AMOUNT. The item value associated with the GRN.

ITEM. The item number of this GRN.

WH. The warehouse where the item is located.

QUANTITY. The item quantity associated with the GRN.

U/M. The stocking unit of measure.

VENDOR. The vendor number associated with the GRN.

ORDER. The control number for manufacturing orders.

TOTAL AMOUNT OF GRNS LISTED. The sum of the GRN AMOUNT column.

P.O. Blanket Release Detail Maintenance Edit List (AMI7C)

GATEWAY MFG CO	P.O. BLANKET RELEASE DETAIL FILE MAINTENANCE EDIT LIST	DATE 5/31/** TIME 20.34.14	PAGE 1 AMI7C				
ORDER NO P0050	ITEM NUMBER 03593	WH ATL	DESCRIPTION PIN	CLASS 80	ORDER QTY 15.000.000	DUE DATE 2/20/**	ORDER STATUS 10
** BEFORE **		RELEASE NUMBER	0001				*** CHANGED ***
	RELEASE QUANTITY	2,500.000	RELEASE DATE	11/05/**	RELEASE STATUS	10	
	QTY RECEIVED AT DOCK	.000	LAST ACTIVITY DATE	12/11/**			
	INSPECTION QUANTITY	.000	DATE LAST MAINTAINED	12/11/**			
	QUANTITY SCRAPPED	.000					
	QTY RECEIVED TO STOCK	.000					
** AFTER **		RELEASE QUANTITY	2,000.000	RELEASE DATE	11/05/**	RELEASE STATUS	40
	QTY RECEIVED AT DOCK	.000	LAST ACTIVITY DATE	12/11/**			
	INSPECTION QUANTITY	.000	DATE LAST MAINTAINED	12/11/**			
	QUANTITY SCRAPPED	.000					
	QTY RECEIVED TO STOCK	.000					
TOTAL NUMBER OF RECORDS ADDED						0	
TOTAL NUMBER OF RECORDS CHANGED						1	
TOTAL NUMBER OF RECORDS DELETED						0	

To print this report, use option 4 on the File Maintenance menu (AMIM70).

The report indicates the number of records that were added, changed, and deleted. The type of maintenance on each record is also indicated.

Fields

ORDER NO. The control number for purchase orders.

ITEM NUMBER. A number which serves to uniquely identify an item.

WH. The warehouse in which the item is located.

DESCRIPTION. The description of the item.

CLASS. A user-assigned code identifying the class for this item.

ORDER QTY. The quantity of the finished item being manufactured on this order.

DUE DATE. The date the item is required to be in inventory.

ORDER STATUS. Valid codes are:

- 10** Purchase order released
- 20** Purchase receipt to dock
- 30** Purchase receipt to inspection
- 40** Purchase receipt to stock
- 50** Purchase order complete
- 99** Purchase order canceled

RELEASE NUMBER. A unique number assigned to each purchase order release record.

RELEASE QUANTITY. The order quantity on this release.

RELEASE DATE. The due date of this release.

RELEASE STATUS. A code identifying release status.

20	Receipt to dock
30	Inspection
40	Receipt to stock
50	Receipt complete

QTY RECEIVED AT DOCK. Quantity received at the dock on this release.

LAST ACTIVITY DATE. The date of last activity on this release.

INSPECTION QUANTITY. The quantity received in inspection on this release.

DATE LAST MAINTAINED. The date of last record maintenance.

QUANTITY SCRAPPED. The quantity scrapped on this release.

QTY RECEIVED TO STOCK. The quantity received to stock on this release.

Period-End/Year-End Inventory Stock Status (AMI6C)

ANDREAS AUTO		PERIOD END INVENTORY STOCK STATUS				DATE 11/03/**	TIME 13.25.22	PAGE 1	AMI6C
		SEQUENCE BY ITEM				OPER 51			
ITEM CLASS	ITEM NUMBER	ITEM TYPE	ITEM DESCRIPTION	STK PRI U/M U/M	BASE PRICE				
WHSE NO.	BEGIN BAL	PERIOD TO DATE		ADJ.	QTY ON-HAND	QTY ON-ORDER	STANDARD UNIT COST	ON-HAND COST	
		ISS /	SALE RECEIPTS			QTY ALLOC.	QTY AVAIL.		
OP AIRKIT		1	AIRCONDITIONER KIT (OPTION)	EA EA				500.000	
A	.000	140.000		.000		.000	257.2000 *		
			250.000		110.000	.000	.000	28292.0000	
1	.000	.000		.000	150.000	.000	110.0000 *		
TOT	.000		250.000		260.000	.000	150.000	38580.0000	
		140.000		.000		.000	260.000	66872.0000	
OP AUTO		9	AUTOMATIC TRANS OPTION	EA EA				700.000	
A	.000	80.000		.000		80.000	400.0000 *		
			80.000		.000	.000	80.000	.0000	
1	.000	.000		.000	600.000	40.000	640.0000 *	240000.0000	
TOT	.000		80.000		600.000	.000	.000	240000.0000	
		80.000		.000		120.000	720.000		
PU BATTERY		4	12 VOLT BATTERY	EA EA				50.000	
A	.000	500.000		.000		.000	22.5000 *		
			580.000		80.000	.000	80.000	1800.0000	
1	.000	.000		.000	50000.000	100.000	50100.0000 *		
TOT	.000		50000.000		50000.000	.000	.000	1125000.0000	
		500.000	50580.000		50080.000	.000		1126800.0000	
PU BELT		4	AIR CONDITIONER BELT	EA EA				10.000	
A	.000	261.000		.000		.000	5.0000 *		
			280.000		19.000	.000	19.000	95.0000	
1	.000	.000		.000	200.000	.000	200.0000 *	1000.0000	
TOT	.000		280.000		219.000	.000	.000	1095.0000	
		261.000		.000		.000	219.000		
* - UNIT COST DEFAULT TAKEN						REPORT TOTAL	1,434,767.00	BEFORE	
							1,434,767.00	AFTER PDM RPLC	
							.00	DIFFERENCE	
							1,434,767.00	AFTER	

To print this report, use option 1 on the Period Closing Activity menu (AMIM60).

The header indicates the warehouse, if you selected only one and the selection made during application tailoring: PERIOD-END or YEAR-END.

The sequence can be by item number or item class, and the report limits can be by item numbers, item classes, or vendors.

Fields

ITEM CLASS. A user-assigned code identifying the class for this item.

ITEM NUMBER. A number which serves to uniquely identify an item.

ITEM TYPE. Valid types are:

- F** Feature
- 0** Phantom
- 1** Assembly or subassembly

2	Fabricated item
3	Raw material
4	Purchased item
9	User option

ITEM DESCRIPTION. This description is taken from the Item Master file, even though a description may have been entered in order entry or changed in file maintenance.

STK U/M. The expression of item quantity used by the warehouse.

PRI U/M. The pricing unit of measure. The expression of item quantity used for pricing.

BASE PRICE. The manually entered unit price of the item.

WHSE NO. The number of the warehouse in which the item is located.

BEGIN BAL. The actual quantity on hand at the start of the period.

PERIOD TO DATE.

- Issues and sales
- Receipts
- Adjustments.

QTY ON-HAND. Quantity of the item in stock.

QTY ON-ORDER. The sum of the production and purchase quantities on order.

QTY ALLOC. The quantity allocated to manufacturing and customer pick list requirements.

STANDARD UNIT COST. The standard, average, or last unit cost, based on the type of costing you selected when you printed this report.

QTY AVAIL. The quantity on hand plus quantity on order minus manufacturing allocated quantity minus customer pick list requirements.

ON HAND COST. The value of on hand inventory (quantity on hand multiplied by selected unit cost).

Note: On hand inventory is valued whether it is positive or negative.

REPORT TOTAL. The total on hand cost of all items printed on the report.

AFTER PDM RPLC. The total on hand cost of all items ignoring standard, average, or last unit cost value overrides after PDM replacement is used.

DIFFERENCE. The **BEFORE** total minus the **AFTER PDM RPLC** total.

AFTER. The total on hand cost of all items after Period End Close replaces the unit cost default with PDM replacement cost.

Physical Inventory Attach Final Totals (AMI5F)

GATEWAY MFG CO	PHYSICAL INVENTORY ATTACH FINAL TOTALS	DATE 8/10/**	TIME 16.12.07	PAGE 1	AMI5F
ACTUAL COUNTED QUANTITY	75,758.000				
NUMBER OF TRANSACTIONS	9				

To print this report, use option 4 on the Physical Inventory menu (AMIM50).

Fields

ACTUAL COUNTED QUANTITY. This quantity is accumulated only from records that do not contain errors.

NUMBER OF TRANSACTIONS. The total number of transactions in this batch.

Physical Inventory Batch Control Update (AMI5X)

GATEWAY MFG CO	PHYSICAL INVENTORY BATCH CONTROL UPDATE	DATE 8/10/**	TIME 16.47.53	PAGE 1	AMI5X
BATCH NUMBER- 3	--- BATCH DELETED ---				
RECORD COUNT- 9					
WORK STATION- E5					
OPERATOR ID- JAB					

To print this report, use option 3 on the Physical Inventory menu (AMIM50).

Fields

BATCH NUMBER. The batch number of the deleted batch.

RECORD COUNT. The number of records in batch.

WORK STATION. The work station ID. Double asterisks (**) indicate offline entry.

OPERATOR ID. The identification of the operator who created or deleted this batch. This field appears if MAPICS XA security is active.

Physical Inventory Edit Listing/Final Totals (AMI5C1/AMI5C2)

GATEWAY MFG CO		PHYSICAL INVENTORY EDIT LISTING ALL TRANSACTIONS					DATE 8/10/** TIME 16.11.51 PAGE 1 AMI5C1
ITEM NUMBER	WHSE	ACTUAL COUNTED QUANTITY	DATE	LOCATION	BATCH/LOT	FIFO DATE	ERROR AND WARNING MESSAGES
00217	ATL	8.000	3/22/**	QC02	B88	11/07/**	W AM-7429 ITEM NOT IN LOCN - RECORD WILL BE ADDED
10876	ATL	300.000	3/22/**	A102A3A	B2	1/25/**	E AM-7402 THE MAIN LOCATION CONTAINS STOCK
10819	ATL	250,250.000	3/22/**	A101C1	B9999	10/10/**	
10819	DAL	10.000	3/22/**	A101C2	BL90	10/11/**	E AM-7430 ITEM STATUS NOT APPROVED
89911	ATL	.000	3/22/**	A101A1	L55	9/24/**	W AM-3208 ITEM NOT DUE FOR PHYSICAL COUNT E AM-7432 NO QUANTITY EXISTS IN THIS LOCATION
558977	ATL	1,000.000	3/22/**	A101C1	L98	8/24/**	E AM-3076 ITEM NOT FOUND E AM-3077 ITEM/WAREHOUSE NOT FOUND E AM-7361 ITEM NOT FOUND IN ITEM LOCATION FILE

GATEWAY MFG CO		PHYSICAL INVENTORY EDIT FINAL TOTALS			DATE 8/10/** TIME 16.11.51 PAGE 2 AMI5C2
ACTUAL COUNTED QUANTITY		75,758.000			
NUMBER OF TRANSACTIONS		6			

To print these reports, use option 4 on menu AMbyIM50. You may select ALL TRANSACTIONS or TRANSACTIONS WITH ERRORS ONLY.

Fields

ITEM NUMBER. A number which serves to uniquely identify an item.

WHSE. The number of the warehouse in which the item is located.

ACTUAL COUNTED QUANTITY. This quantity is accumulated only from records that do not contain errors.

DATE. The date of the transaction.

LOCATION. The stock location of the item, as stored in the Location Detail file.

BATCH/LOT. If you chose the batch/lot option during application tailoring, and it applies to this item, the batch or lot number is printed.

FIFO DATE. If you chose the FIFO option during application tailoring, the date the item was received in stock, whether approved or unapproved, is printed.

ERROR AND WARNING MESSAGES. List of possible problems and reason(s) a transaction was rejected.

NUMBER OF TRANSACTIONS. The total number of transactions in this batch.

Physical Transaction Register–Approved/Unapproved Error Items (AMI5J)

GATEWAY MFG CO		PHYSICAL TRANSACTION REGISTER				DATE 12/01/** TIME 17.51.10 PAGE 1 AMI5J			
		APPROVED ERROR ITEMS							
ITEM NUMBER	WHSE NO	DATE	COUNTED QTY	DIFFERENCE QTY	LOCATION	BATCH/LOT	FIFO DATE	ERROR MESSAGES	
03014		12/14/**	90.000	40.000	A10216		02/15/**	E AM-7362 LOCATION IS NOT VALID	
86813-C	ATL	12/11/**	8,199.000	.000	A10211	BL407	12/09/**	E AM-3076 ITEM NOT FOUND	
	ATL							E AM-3077 ITEM/WAREHOUSE NOT FOUND	
TOTAL COUNTED QUANTITY			8,289.000						
TOTAL DIFFERENCE QUANTITY			40.000						
TOTAL NO. OF TRANSACTIONS			2						

To print this report, use option 6 on the Physical Inventory menu (AMIM50).

Fields

ITEM NUMBER. A number which serves to uniquely identify an item.

WHSE NO. The warehouse in which the item is located.

DATE. Transaction date.

COUNTED QTY. This quantity is accumulated only from records that do not contain errors.

DIFFERENCE QTY. The difference between the counted and the location quantity.

LOCATION. The stock location of the item if you are using controlled warehouses. If you are using default location support, this is the default location taken from the Item Balance file.

BATCH/LOT. The batch or lot number if you chose the batch/lot option during application tailoring and it applies to this item.

FIFO DATE. This date appears if you chose the FIFO option during application tailoring.

ERROR MESSAGES. The reason(s) the transaction was rejected.

TOTAL COUNTED QUANTITY. The sum of the **COUNTED QTY** column.

TOTAL DIFFERENCE QUANTITY. The sum of the **DIFFERENCE QTY** column.

TOTAL NO. OF TRANSACTIONS. The number of transactions selected for this run.

Physical Transaction Register—Approved/Unapproved Processed Items (AMI5J)

GATEWAY MFG CO.	PHYSICAL TRANSACTION REGISTER								DATE 12/01/**	TIME 16.02.01	PAGE 1	AMI5J
		APPROVED PROCESSED ITEMS								OPER 51		
ITEM NUMBER	WHSE NO	DESCRIPTION	DEFAULT LOC	DATE TRANS	U/M	LOCATION	BATCH/LOT NEW	FIFO DATE STANDARD COST	ORDER POINT	REACHED	**	
			P150	12/01/**	EA	ON-HAND	ON-HAND	ADJUSTMENT EXTENSION	9 TH0#2	.07		
77683	ATL	SCREW				14.000						
						31375.000						
						AA01BB	BL980	8/09/**				
78053	ATL	WHEEL NUT				190.000-		31689.000			9 TH0#2	
						1035.000					5.70-	
						AA02BB	BL999	8/09/**				
79620-C	ATL	TANK TUBE				10.000-		845.000			9 TH0#2	
						10.000					.80-	
86813	ATL	NUT				1.000		0.000			9 TH0#2	
						8200.000					.01	
89182	ATL	HANDLE SCREW				50.000		8199.000			9 TH0#2	
						5200.000					.25	
							5250.000					
NUMBER ITEMS WITH VARIANCE			5									
NUMBER ITEMS WITHOUT VARIANCE			0									
# -NOTE- DEFAULT STOCKING LOCATION						TOTAL QUANTITY	163.000	TOTAL ADJUSTMENT AMOUNT	6.17-			

To print this report, use option 6 on the Physical Inventory menu (AMIM50). Double asterisks (**) indicate order point reached.

Fields

ITEM NUMBER. A number which serves to uniquely identify an item.

WHSE NO. The warehouse in which the item is located.

DESCRIPTION. Description of the component item.

STOCK LOC. A code indicating the location of the item in the warehouse. If you are using a controlled warehouse, no data is printed in this field.

DATE. The transaction date.

U/M. The unit of measure. The unit in which the item quantity is expressed.

LOCATION. The stock location of the item, as stored in the Location Detail file. If you are using default location support and this report is for a controlled warehouse, this field contains the default location taken from the Item Balance file.

BATCH/LOT. If you chose the batch/lot option during application tailoring, and it applies to this item, the batch or lot number is printed.

FIFO DATE. If you chose the FIFO option during application tailoring, the date the item was received in stock, whether approved or unapproved, is printed.

BCH NO. The number of the batch that is in process.

WS ID. Double asterisks (**) indicate offline entry.

TRANS QTY. The quantity that was used to adjust inventory on hand. This value is calculated at the time of physical count entry by subtracting on hand from the physical count.

PRIOR ON-HAND. The quantity on hand before the count, as contained in the Item Balance record.

NEW ON-HAND. The prior on hand quantity plus transaction quantity, as contained in the Item Balance record. It will also reflect the Transaction Activity Difference on the Inventory Valuation and Variance report.

STANDARD COST. Standard, average, or last cost.

ADJUSTMENT EXTENSION. This is calculated as the transaction quantity times cost.

TOTAL QUANTITY. The total transaction quantity.

TOTAL ADJUSTMENT AMOUNT. The sum of all adjustment amounts.

Pick Requirements Audit Exception List (AMI9D)

GATEWAY MFG CO. PICK REQUIREMENTS AUDIT EXCEPTION LIST DATE 12/01/** TIME 14.45.02 PAGE 1 AMI9D

RUN STATISTICS

ITEM NUMBER	WH	DESCRIPTION	PICK REQUIREMENTS QUANTITY		REQUIREMENTS RECORDS
			--BEFORE-----	-----AFTER---	
03025	ATL	PUMP HOUSING ASSEMBLY	350.000	.000	0
99001	ATL	SPRAY UNIT	1,200.000	.000	0
ITEM BALANCE RECORDS READ					116
ITEM BALANCE RECORDS WITH PICK REQUIREMENTS					19
MATERIAL PICK REQUIREMENTS RECORDS READ					101

To print this report, use option 11 on the File Maintenance menu (AMIM70).

Note: This report appears only if COM is interfacing with IM.

The following items print for out of balance conditions only. They represent exception conditions and should not occur.

Fields

ITEM NUMBER. A number which serves to uniquely identify an item.

WH. The warehouse in which the item is located.

DESCRIPTION. The description of the item.

PICK REQUIREMENTS QUANTITY. This quantity in the Item Balance file is out of balance with the sum of the customer on-order quantities used to print picking lists in the Customer Order Detail file.

BEFORE. The previous quantity in the Item Balance file

AFTER. The updated quantity in the Item Balance file.

REQUIREMENTS RECORDS. The number of records making up the pick list quantity.

ITEM BALANCE RECORDS READ. This run statistic is always printed.

ITEM BALANCE RECORDS WITH PICK REQUIREMENTS. This run statistic is always printed.

MATERIAL PICK REQUIREMENTS RECORDS READ. This run statistic is always printed.

Purchase/Mfg On-Order Audit Exception List—Run Statistics (AMI9C2)

GATEWAY MFG CO	PURCHASE/MFG ON-ORDER AUDIT EXCEPTION LIST	DATE 12/01/**	TIME 20.42.41	PAGE	1	AMI9C2
RUN STATISTICS						
ITEM NUMBER	WH DESCRIPTION	MANUFACTURE ON-ORDER QUANTITY *---BEFORE-----AFTER---		PURCHASE ON-ORDER QUANTITY *---BEFORE-----AFTER---		
03593	ATL PIN			15,500.000	15,000.000	*
ITEM BALANCE RECORDS READ				187		
ITEM BALANCE RECORDS WITH ORDERS				14		
MANUFACTURE ON ORDER SUMMARY				29		
PURCHASE ON ORDER SUMMARY				32		
				INCLUDES INTERSITE ORDERS *		

To print this report, use option 10 on the File Maintenance menu (AMIM70).

The following items print for out of balance conditions only. They represent exception conditions and should not occur.

Fields

ITEM NUMBER. A number which serves to uniquely identify an item.

WH. The warehouse in which item is located.

DESCRIPTION. The description of the item.

MANUFACTURE ON-ORDER QUANTITY. This quantity in the Item Balance file is out of balance with the sum of on-order quantities of this item in the Manufacture Order Master or Manufacturing Order Detail files.

BEFORE. The previous quantity in the Item Balance file

AFTER. The updated quantity in the Item Balance file.

PURCHASE ON-ORDER QUANTITY. This quantity in the Item Balance file is out of balance with the sum of on-order quantities of this item in the Purchase Order Item Detail file. If ISL/MISL is installed, intersite orders are included in this total quantity.

BEFORE. The previous quantity in the Item Balance file

AFTER. The updated quantity in the Item Balance file.

ITEM BALANCE RECORDS READ. These run statistics are always printed.

ITEM BALANCE RECORDS WITH ORDERS. These run statistics are always printed.

MANUFACTURE ON ORDER SUMMARY. These run statistics are always printed.

PURCHASE ON ORDER SUMMARY. These run statistics are always printed.

Purchase Order Item Detail Maintenance Edit List (AMI7B)

MAPICS	PURCHASE ORDER ITEM DETAIL MAINTENANCE EDIT LIST	DATE 2/08/**	TIME 17.39.31	PAGE 1	AMI7B
		OPER M4		UPDATE#	1
ORDER NO	ITEM NUMBER	WH	SEQ	CLASS	*** CHANGED ***
P000220	CRDBX45	ATL	000	CI	
** BEFORE **					
	DESCRIPTION	4' X 5' CARDBOARD BOX		ORDER STATUS	10
	ORDER QUANTITY	10.000	ORDER DATE	2/08/**	VENDOR NUMBER 12345
	QTY RECEIVED AT DOCK	.000	DUE DATE	11/15/**	STOCK LOCATION A1B121
	INSPECTION QUANTITY	.000	FOLLOW UP DATE	11/15/**	DEPARTMENT REP4
	SCRAP QUANTITY	.000	LAST ACTIVITY DATE	0/00/00	PLANNER 6000
	QTY RECEIVED TO STOCK	.000			JOB NUMBER
	QUANTITY DEVIATION	.000	VENDOR CATALOG NO		
	DATE LAST MAINTAINED	2/08/**	REFERENCE NUMBER		RESCHEDULE CODE 0
** AFTER **					
	DESCRIPTION	4' X 5' CARDBOARD BOX		ORDER STATUS	10
	ORDER QUANTITY	10.000	ORDER DATE	2/08/**	VENDOR NUMBER 12345
	QTY RECEIVED AT DOCK	.000	DUE DATE	11/15/**	STOCK LOCATION A1B121
	INSPECTION QUANTITY	.000	FOLLOW UP DATE	11/15/**	DEPARTMENT REP4
	SCRAP QUANTITY	.000	LAST ACTIVITY DATE	0/00/00	PLANNER 6000
	QTY RECEIVED TO STOCK	.000			JOB NUMBER
	QUANTITY DEVIATION	.000	VENDOR CATALOG NO		
	DATE LAST MAINTAINED	2/08/**	REFERENCE NUMBER		RESCHEDULE CODE 1
TOTAL NUMBER OF RECORDS CHANGED				1	
TOTAL NUMBER OF RECORDS CANCELED				0	
TOTAL NUMBER OF RECORDS REACTIVATED				0	
*** END OF PRINT ***					

To print this report, use option 3 on the File Maintenance menu (AMIM70).

The report indicates the number of records that were changed, canceled, and reactivated. The type of maintenance on each record is also indicated.

Fields

ORDER NO. The control number for purchase orders.

ITEM NUMBER. The item number of the purchase order.

WH. The warehouse in which item is located.

SEQ. The user-defined sequence number that shows the position of the component in the bill of material.

CLASS. A user-defined code identifying the class for this item.

DESCRIPTION. The description of the item.

ORDER STATUS. Values are:

- 10** Released
- 20** Received to dock
- 30** Received to inspection
- 40** Received to stock
- 50** Order complete
- 99** Order canceled

ORDER QUANTITY. The quantity needed by the due date for the order to be complete.

ORDER DATE. The date purchase order actually placed.

VENDOR NUMBER. The vendor number associated with the purchase order.

QTY RECEIVED AT DOCK. Quantity received at the dock on this release.

DUE DATE. The date an item is required to be in inventory.

STOCK LOCATION. A user-assigned code indicating the item's location in the warehouse.

INSPECTION QUANTITY. The quantity moved from the dock and received at inspection.

FOLLOW UP DATE. The date the vendor should be contacted if goods have not been received.

DEPARTMENT. The department number.

SCRAP QUANTITY. The quantity scrapped from the order.

LAST ACTIVITY DATE. The date of last activity on this release.

PLANNER. A code identifying the person responsible for planning the replenishment strategy of this item.

QTY RECEIVED TO STOCK. The quantity received to stock on this release.

BLANKET ORDER CODE. This field is only displayed for a blanket order with no releases.

JOB NUMBER. This field relates this manufacturing order to a specific customer job number.

QUANTITY DEVIATION. The user-maintained deviation from the original order quantity.

VENDOR CATALOG NO. The item number the vendor uses to define the item.

DATE LAST MAINTAINED. The date of last record maintenance.

REFERENCE NUMBER. Any meaningful, user-assigned value.

RESCHEDULE CODE. Code used to indicate whether or not an individual manufacturing order or purchase order line item can be rescheduled automatically by the system.

- | | |
|----------|---|
| 0 | Default to item reschedule code. This is the default. |
| 1 | Cannot be rescheduled automatically |
| 2 | Can be scheduled out |
| 3 | Can be scheduled in |
| 4 | Can be scheduled both out and in |

Purchase Order Status Report (AMI2D)

GATEWAY MFG CO OPER 17		PURCHASE ORDER STATUS REPORT						DATE 12/01/**	TIME 14.06.27	PAGE 1	AMI2D		
		SEQUENCE BY ITEM ORDERS FROM P0010			TO P0050								
DESCRIPTION		PLANNER	REFERENCE	CUST JOB	VENDOR	VENDOR CATALOG	FOLLOW-UP STK LOC						
ORDER NUMBER	ITEM CLASS	ITEM NUMBER	WH NO	SEQ NO	ITEM STATUS	ORDER DATE	LASTTRAN DATE	DUE DATE	U/M	ORDER QTY OPEN QTY	DOCK QTY DEV QTY	INSP QTY SCRAP QTY	STOCK QTY
HINGE PIN		00907		01-C00000001	012893								12/01/**
P0050	80	03419	ATL 000	20		11/11/**	12/11/**	12/01/**	1-EA	10,000.000	10,000.000	.000	.000
MRO			WORK ORDER-TASK: 123456-12					COST CODE: 123456		10,000.000	10,000.000	.000	
PIN		00907	35478	01-C00000001	012893	YH-58731-P							2/20/**
P0050	80	03593	ATL 000	10		11/11/**	0/00/00	2/20/**	1-EA	15,000.000	.000	.000	.000
				RELEASE-0001	0/00/00	11/05/**			1-EA	2,000.000	.000	.000	.000
				RELEASE-0002	0/00/00	11/20/**			1-EA	2,500.000	.000	.000	.000
PUMP SHAFT PIN		00907			012893								2/20/**
P0050	80	03902	ATL 000	10		11/11/**	0/00/00	2/20/**	1-EA	12,000.000	.000	.000	.000
										12,000.000	.000	.000	
CONNECTOR		00907			0366570								12/01/**
P0010	80	05325	ATL 000	30		11/11/**	12/11/**	12/01/**	1-EA	10,000.000	.000	6,000.000	.000
										10,000.000	.000	6,000.000	
ADAPTER GASKET		00907			036657								12/01/**
P0010	70	27001-01	ATL 000	10		11/11/**	0/00/00	12/01/**	1-EA	8,000.000	.000	.000	.000
										8,000.000	.000	.000	
ADAPTER PLATE		00907			036657								12/01/**
P0010	70	27002-01	ATL 000	10		11/11/**	0/00/00	12/01/**	1-EA	8,000.000	.000	.000	.000
										8,000.000	.000	.000	
SCREW		00907			012893								2/20/**
P0050	80	77683	ATL 000	40*		11/11/**	12/11/**	2/20/**	1-EA	24,000.000	.000	.000	18,000.000
										24,000.000	.000	.000	
				PURCHASE U/M	CONVERSION FACTOR	50.00000			2-BX	480.000	.000	.000	360.000
				RELEASE-0001	12/11/**	1	1/20/**		1-EA	8,000.000	.000	.000	8,000.000
									2-BX	160.000	.000	.000	160.000
				RELEASE-0002	12/11/**	1	1/20/**		1-EA	8,000.000	.000	.000	8,000.000
									2-BX	160.000	.000	.000	160.000
				RELEASE-0003	12/11/**		1/20/**		1-EA	40.000	.000	.000	2,000.000
									2-B	80.000	.000	.000	40.000
				RELEASE-0004	0/00/00		2/20/**		1-EA	4,000.000	.000	.000	.000
									2-BX	80.000	.000	.000	.000
SCREW		00907			012893								1/20/**
P0050	80	79098	ATL 000	10		11/11/**	0/00/00	1/20/**	1-EA	24,000.000	.000	.000	.000
										24,000.000	.000	.000	
				RELEASE-0001	0/00/00	1	1/20/**		1-EA	8,000.000	.000	.000	.000
				RELEASE-0002	0/00/00	1	2/20/**		1-EA	8,000.000	.000	.000	.000
				RELEASE-0003	0/00/00		1/20/**		1-EA	8,000.000	.000	.000	.000
HANDLE SCREW		00907			012893								12/01/**
P0050	80	89182	ATL 000	10		11/11/**	0/00/00	12/01/**	1-EA	10,000.000	.000	.000	.000
										10,000.000	.000	.000	
				PURCHASE U/M	CONVERSION FACTOR	12.00000			2-DZ	833.000	.000	.000	.000
TOTAL NUMBER OF ORDERS/LINE ITEMS SELECTED							9						
NOTE- * -SELECTED FOR CLOSEOUT													

To print this report, use option 3 or option 5 on the Status/Analysis Reports menu (AMIM21).

The sequence you selected for the report appears in the header:

- Due date
- Planner/due date
- Item
- Planner/item
- Vendor/order
- Vendor/due date
- Planner/vendor/due date
- Order/item/warehouse.

The report prints a list of purchase orders based on the limits you specified. Ranges include:

- **ORDERS FROM** and **TO**
- **ITEM NUMBER FROM** and **TO**
- **VENDOR NUMBER FROM** and **TO**
- **FOLLOW-UP DATE BEFORE**
- **DUE DATE BEFORE**
- **% UNDER VARIANCE**
- **% OVER VARIANCE**.

Fields

DESCRIPTION. The description of the item.

PLANNER. A code identifying the person responsible for planning the replenishment strategy of this item.

REFERENCE. Any meaningful, user-assigned value.

CUST JOB. The customer job number.

VENDOR. The vendor number.

VENDOR CATALOG. The vendor catalog number.

FOLLOW-UP. Follow-up date.

STK LOC. A user-assigned code indicating the item's location in the warehouse.

ORDER NUMBER. The control number for the purchase order.

ITEM CLASS. A code identifying the class for this item according to user-determined classification of items by group.

ITEM NUMBER. A number which serves to uniquely identify an item.

WH NO. The warehouse in which the item is located.

SEQ NO. The user-defined sequence number that shows the position of the component in the bill of material.

ITEM STATUS.

05 Vendor accept required

10	Released
20	Received to dock
30	Received to inspection
40	Received to stock
50	Item complete
99	Item canceled

An asterisk (*) indicates that this order is selected for closeout.

ORDER DATE. The date the purchase order was actually placed.

LAST TRAN DATE. The date of last activity.

DUE DATE. The date an item is required to be in inventory.

U/M. The units used to express the item quantity.

ORDER QTY. The quantity needed by the due date for the order to be complete. See "DEV QTY" for a method of calculating open quantities remaining.

DOCK QTY. Quantity received at the dock.

INSP QTY. Quantity moved from the dock and received at inspection.

STOCK QTY. The quantity placed into stock. See "DEV QTY" for a method of calculating open quantities remaining.

OPEN QTY. Quantity still expected to be received.

DEV QTY. Used as a means of adjusting order quantity. It can be positive or negative. The quantity remaining open on an order is calculated as ordered quantity plus deviation quantity minus quantity received.

SCRAP QTY. Quantity that is scrapped.

The next four fields appear only for Maintenance, Repair, and Overhaul (MRO) items if IM is interfacing with the Maintenance Management System (MMS).

***MRO* (Maintenance Repair Overhaul item).** Indicates that this is a spare part or a service item.

WORK ORDER. The number of the work order that originated in MMS.

TASK. Identifies a step on the work order. It represents the task to charge field, not the task sequence number.

COST CODE. The cost category that MMS uses to accumulate a specific cost associated with this work order or item. It is used only for non-stores and service items in MMS.

PURCHASE U/M CONVERSION FACTOR. This line shows the conversion factor and the quantities as converted from stocking to purchase unit of measure if the purchase unit of measure is used instead of the stocking unit of measure.

RELEASE. The sequence number of releases on blanket purchase orders. This line also shows the dates and quantities for each release.

Purchase Orders Closed/Released (AMI4R)

GATEWAY MFG CO			PURCHASE ORDERS RELEASED										TIME 16.24.34	PAGE 1	AMI4R1	
													DATE **/**/**			
													OPER M4			
DESCRIPTION			PLANNER	REFERENCE	CUST JOB	VENDOR	VENDOR CATALOG	QTY DEV	QTY SCRAP	FOLLOW-UP	STK-LOC					
ORDER NUMBER	ITEM CLASS	ITEM NUMBER	WH NO	SEQ STAT	ORD DATE	ORDER DATE	LAST TRN DATE	DUE DATE	U/M	ORDER QUANTITY	RECEIVED AT DOCK	QUANTITY TO INSP.	QUANTITY RECEIVED TO STOCK			
4' X 5'	CRDBX45	6000	ATL 000	10	2/08/93	0/00/00	11/15/93	1-EA		10.000	.000	.000	11/15/93	A1B121	.000	
P000222	CI	CRDBX45	ATL 000	10	2/08/93	0/00/00	11/15/93	1-EA		10.000	.000	.000			.000	
DEMAND: P REQMT			P REQMT			01-C00555123/0010000/00001			01-C00555124/0010000/00001							
01-C00555125/0010000/00001			01-C00555126/0010000/00001			P REQMT										
SCREW	0080	77683	ATL 907	10	12/11/**	12/11/**	2/20/**	1-EA		24,000.000	.000	.000			.000	
P0050			PURCHASE U/M	CONVERSION FACTOR	50.00000	2-BX	480.000			8,000.000	.000	.000			.000	
RELEASE-0001			12/11/**	11/20/**	1-EA	2-BX	160.000			.000	.000	.000			.000	
TOTAL NUMBER OF ORDERS SELECTED					2											

MAPICS			PURCHASE ORDERS CLOSED										TIME 16.49.10	PAGE 1	AMI4R2	
													DATE **/**/**			
													OPER M4			
DESCRIPTION			PLANNER	REFERENCE	CUST JOB	VENDOR	VENDOR CATALOG	QTY DEV	QTY SCRAP	FOLLOW-UP	STK-LOC					
ORDER NUMBER	ITEM CLASS	ITEM NUMBER	WH NO	SEQ STAT	ORD DATE	ORDER DATE	LAST TRN DATE	DUE DATE	U/M	ORDER QUANTITY	RECEIVED AT DOCK	QUANTITY TO INSP.	QUANTITY RECEIVED TO STOCK			
4' X 5'	CRDBX45	6000	ATL 000	40	2/08/93	0/00/00	11/15/93	1-EA		10.000	.000	.000	11/15/93	A1B121	.000	
P000222	CI	CRDBX45	ATL 000	40	2/08/93	0/00/00	11/15/93	1-EA		10.000	.000	.000			.000	
DEMAND: P REQMT			P REQMT			01-C00555123/0010000/00001			01-C00555124/0010000/00001							
01-C00555125/0010000/00001			01-C00555126/0010000/00001			P REQMT										
TOTAL NUMBER OF ORDERS SELECTED					1											

To print this report, use option 2, option 3, or option 6 on the Order Release and Closeout menu (AMIM40).

Fields

DESCRIPTION. The description of the item.

PLANNER. A code identifying the person responsible for planning the replenishment strategy of this item.

REFERENCE. Any meaningful, user-assigned value.

CUST JOB. The customer job number.

VENDOR. The vendor number.

VENDOR CATALOG. The vendor catalog number.

QTY DEV. This field is manually entered through Purchase Order Item Detail file maintenance and is used as a means of adjusting order quantity.

QTY SCRAP. The quantity scrapped from the order.

FOLLOW-UP. The follow-up date.

STK-LOC. A code indicating the item's location in the warehouse.

ORDER NUMBER. The control number for purchase orders.

ITEM CLASS. A code identifying the class for this item according to user-determined classification of items by group.

ITEM NUMBER. A number which serves to uniquely identify an item.

WH NO. The warehouse in which the item is located.

SEQ. The user-defined sequence number that shows the position of the component in the bill of material.

ORD STAT (Order status). Values are:

10	Released
20	Received to dock
30	Received to inspection
35	Invoiced complete, not received complete
40	Received to stock
50	Order complete
60	Order closed
99	Order canceled

ORDER DATE. The date purchase order actually placed.

LAST TRAN DATE. The date of last activity.

DUE DATE. The date an item is required to be in inventory.

U/M. The units used to express the item quantity.

ORDER QUANTITY. The quantity needed by the due date for the order to be complete.

RECEIVED AT DOCK. The quantity received at the dock.

QUANTITY TO INSP. The quantity moved from the dock and received at inspection.

RECEIVED TO STOCK. The quantity placed into stock.

LOC. An alphanumeric value that identifies the stocking location of this item in the warehouse.

PURCHASE U/M CONVERSION FACTOR. If there is a purchase unit of measure, this line shows the quantities as converted from stocking to purchase unit of measure.

RELEASE. The sequence number of releases on blanket purchase orders. This line also shows the dates and quantities on this release.

DEMAND. The customer order or other top level requirement that generated this manufacturing order or purchase order item. Possible values are:

BLENDED The larger of forecast and customer requirements (MSSR=C)

CUSONLY Customer orders (MSSR=C)

Cxxxxxx Customer orders, not combined (MSSR=D or E). The customer order shows in the format of 01-CO-nnnnnnnn.

FORCAST Forecast quantity (MSSR=F)

GENDMND Generated component quantity based on parent planned orders (MSSR not D or E)

MANUAL Manually entered demand. Source of demand is optional at time of entry (MSSR=M)

M FCST Manual forecast

M HELD Manual held requirement

M REQMT Manual requirement

MSAFETY Safety quantity (MSSR=D or E)

Mxxxxxx Manufacturing order number

NEG QOH Negative quantity on hand

P FCST Propagated forecast

P REQMT Propagated requirement

PRODPLN Production planned quantity (MSSR=P)

Sxxxxxx Repetitive Manufacturing order, allocated quantity

XS FCST Forecast quantity in excess of customer requirements (MSSR=D)

Purchased Items Waiting Inspection (AMIQB2)

NORTHCREEK IND.		PURCHASED ITEMS WAITING INSPECTION				DATE 8/10/**	TIME 16.00.16	PAGE 1	AMIQB2
WAREHOUSE - ALL									
WH	ITEM	DESCRIPTION	QUANTITY	U/M	BATCH/LOT	STK LOC	LINE	FIFO DATE	GRN
ATL	200200	LEATHER	9.000	EA	BL988	A1AA2T		5/22/**	
ATL	200207	GLUE	10.000	EA	BL126	A1AA2W		5/20/**	
ATL	200207	GLUE	5.000	EA	BL125	BP96		6/05/**	GRN#-1234-567-8901-234-567
ATL	200207	GLUE	10.000	EA	BL125	BP99		6/05/**	G26589876
DAL	200209	LEFT LOCK	60.000	EA		Q1AA3B		6/05/**	G265
ATL	200223	BROWN DYE	100.000	CS	BL002	BT27		9/08/**	
ATL	200223	BROWN DYE	5.000	CS	BL35	B1EE4R		5/23/**	
ATL	200226	BEIGE DYE						6/03/**	G112233
								12/02/**	

*** END OF PRINT ***

To print this report, use option 5 on the Inventory Reports menu (AMIM22).

Fields

WAREHOUSE. The warehouse code typed in on the Select display (AMIQA1) appears. If no code was entered, ALL appears.

WH. The warehouse code associated with each item listed.

ITEM. The item number.

DESCRIPTION. Description of the component item.

QUANTITY. The number of items waiting for inspection.

U/M. The stocking unit of measure.

BATCH/LOT. The batch or lot number.

STK LOC. The stock location, as stored in the Location Detail file.

LINE. Indicates whether the previous field is a line location. Appears only if REP is interfacing.

FIFO DATE. The date the item was received in stock, whether at approved or unapproved status.

GRN. The goods received note number. A code indicating that a particular item has been received. Most often the goods received note is used by the Accounts Payable department to double check that invoiced items were actually received. This field appears only if the GRN option is active.

Quality Control Areas (AMICC)

GATEWAY MFG CO	QUALITY CONTROL AREAS	DATE 8/10/** OPER 33	TIME 16.00.16	PAGE 1	AMICC
	WH QC AREA ACTION				
	DAL QC 03 DELETED				
	ATL QC 10 ADDED				
GATEWAY MFG CO	QUALITY CONTROL AREAS	DATE 8/10/** OPER 33	TIME 16.00.16	PAGE 2	AMICC
	LOCATION DETAIL FILE				
SESSION STATUS					
RECORDS ADDED	1				
RECORDS DELETED	1				
	*** END OF PRINT ***				

To print this report, use option 4 on the Location Control menu (AMIM79).

Fields

WH. The warehouse code.

QC AREA. The quality control area ID.

ACTION. The maintenance action taken on the listed record. Shows one of the following:

- ADDED
- DELETED.

SESSION STATUS.

RECORDS ADDED. The number of records added to the file during the session.

RECORDS DELETED. The number of records deleted from the file during the session.

Quality Control Transactions (AMIQH)

NORTHCREEK IND.		QUALITY CONTROL TRANSACTIONS		DATE 11/04/**	TIME 10.07.47	PAGE 1	AMIQH
		PROCESSED ITEMS		OPER 04			
TRANS. CD: PQ	TYPE: PURCHASE ITEM QC COMPLETE **			PUMP HOUSING ASSEMBLY	BLK-SEQ: 0000		
ORDER NO: P000191	ITEM NO: 03025			QUANTITY: 50.000	U/M: EA		
LOCATION: T10101B	WHS: ATL			AMOUNT: .0000	COMP. CD:		
TO LOC:	TO WHS:			FIFO DATE: 10/26/89			
REASON:	B/L NO.:			REFERENCE:			
OLD ON-HAND: 4524.000	NEW ON-HAND: 4574.000	OLD STD COST: 1.00000000	NEW STD COST: 1.00000000				
OLD ON-ORDER: 3225.000	NEW ON-ORDER: 3175.000	VALUE CHNG: 50.00	VARIANCE: .00				
OLD ALLOC.: 24.000	NEW ALLOC.: 24.000						
OLD AVAIL.: 7725.000	NEW AVAIL.: 7725.000	GRN NO: COBRA	GRN INV <Y/N>: Y				

NORTHCREEK IND.		QUALITY CONTROL TRANSACTIONS		DATE 11/04/89	TIME 10.07.47	PAGE 2	AMIQH
				OPER 04			
TRANSACTION TYPES	TRAN CODE	NO OF TRANS	TOTAL QTY	TOTAL TRANS AMT	INVENTORY VALUE CHANGE	INVENTORY VARIANCE	ACCT
PURCHASE ITEM QC COMPLETE **	PQ	1	50.000	.0000	50.00	.00	
FINAL TOTALS		1	50.000	.0000	50.00	.00	
** WITHOUT TRANSACTION AMOUNT							
*** END OF PRINT ***							

To print this report, use option 4 on the Transaction Processing menu (AMIM30). If IFM is interfacing, the Goods Received Notes Invoice (**GRN INV**) field appears.

Fields

TRANS CODE. A two-letter code for the type of inventory transaction.

TYPE. The name of the type of transaction.

ORDER NO. The order to which the transaction is related.

ITEM NO. The item number to which the transaction is related.

ITEM DESCRIPTION. This description is taken from the Item Master file, even though a description may have been entered in order entry or changed in file maintenance.

BLK-SEQ. Blanket release number or sequence number.

LOCATION. The location number.

WHS. The number of the warehouse, if one was selected.

QUANTITY. The quantity of the item affected by the transaction.

U/M. An abbreviation for the unit in which the item is stocked and sold. Examples are EA (each), KG (kilogram), or M (meter).

TO LOC. The new stock location for a transferred item.

TO WHS. The receiving warehouse for an interwarehouse transfer.

AMOUNT. The extended cost of the transaction. It equals the unit cost times the quantity transaction.

Note: Because each transaction is costed separately on this report, the amount shown may reflect a rounding variation when compared to the Order Status–Accounting Report (AMC130), which is produced by PC&C.

COMP CD. An indication of the status of the order when this transaction was posted. Valid codes are:

C Close order
R Reopen order (immediate update only).

B/L NO. The batch or lot used for the transaction, if you chose batch/lot support during application tailoring and it applies to this item.

FIFO DATE. If you chose the FIFO option during application tailoring.

REASON. User-entered reference information. rather than entered.

REFERENCE. User-defined reference information, such as a contract number. It is the invoice number if you entered it during order release. If you entered no information, this field is blank.

OLD and NEW ON-HAND. The quantity of the item in inventory before and after this transaction. When the item is coded inspect on receipt, this quantity is not adjusted until an MQ transaction is processed from the Quality Control Transaction menu option.

OLD and NEW STD COSTS. Old and new standard costs for the item. These fields print if the accounting cost (standard, average, or last) changes as a result of this transaction. Sales (SA) transactions do not affect old and new costs.

OLD and NEW ON-ORDER. The sum of the production and purchase quantities of the item on order but not yet received into inventory before and after this transaction. When the item is coded inspect on receipt, this quantity is not adjusted until an MQ transaction is processed from the Quality Control Transaction menu option.

VALUE CHNG. The amount by which the value of the inventory for the item has changed as a result of the transaction. The balances are shown as of the moment each transaction was processed.

VARIANCE. The amount to be placed in the inventory variance account as a result of the transaction. Variance values are not affected by sales (SA) transactions.

OLD and NEW ALLOC. The sum of manufacturing allocations and customer pick list requirements for the item before and after this transaction.

OLD and NEW AVAIL. The uncommitted quantity of the item before and after this transaction. Quantity available is the quantity on hand plus the quantity on order minus the manufacturing allocated quantity minus the customer pick list requirements.

GRN NO. Goods received note number.

GRN INV <Y/N>. Defines that the GRN is an IFM invoice number.

Note: It is possible, in an immediate update environment, that the old and new balances will not appear to flow logically from one transaction to the next when there are multiple transactions for the same item.

The following field descriptions apply to the totals section of the report.

TRANSACTION TYPES. A list of all transaction types included in the report.

TRAN CODE. The two-letter code for each type of transaction.

NO OF TRANS. The total number of transactions of each transaction type.

TOTAL QTY. The total number of units of the item that were affected by each transaction type.

TOTAL TRANS AMT. The total cost of inventory changes caused by each type of transaction.

INVENTORY VALUE CHANGE. The total of inventory value changes caused by each transaction type.

INVENTORY VARIANCE ACCT. The amount to be posted to the inventory variance account as a result of each type of transaction.

FINAL TOTALS. The totals for all items for all transaction types.

Reject Items Waiting Disposition (AMIQD)

GATEWAY MFG CO REJECT ITEMS WAITING DISPOSITION - WAREHOUSE -ALL DATE 8/10/** TIME 16.00.16 PAGE 1 AMIQD

WH	ITEM	DESCRIPTION	QUANTITY	U/M	FIFO DATE	BATCH/LOT	LOCATION
ATL	100145	PART FOR INSIDE POCKET	20.000	EA	9/07/**	BL220	BE08
DAL	100160	LIN PKT 2	100.000	EA	9/14/**	BL220	T4025A
ATL	100161	LIN PKT 1	70.000	EA	8/22/**	BL300	BIEE4H
ATL	200200	LEATHER	50.000	EA	5/15/**	BL275	BE17
ATL	200223	BROWN DYE	53.000	CS	9/13/**	BL808	QC 01
ATL	200226	BEIGE DYE	375.000	CS	5/23/**	BL401	D1JJ8J2

*** END OF PRINT ***

To print this report, use option 6 on the Inventory Reports menu (AMIM22).

Fields

WH. The warehouse code.

ITEM. The item number.

DESCRIPTION. Description of the component item.

QUANTITY. The number of items waiting disposal or rework.

U/M. The stocking unit of measure.

FIFO DATE. The date the item was received in stock, whether at approved or unapproved status.

BATCH/LOT. The batch or lot number.

LOCATION. The stock location.

Rule Priorities List (AMIGR)

MDQ FIVE INC. NO. 01			RULE PRIORITIES LIST				DATE 8/06/** TIME 17.19.34 PAGE 1 AMIGR		
			FROM: TRANSACTION TYPE CA**				OPER 3		
			TO: TRANSACTION TYPE VR**						
TRANSACTION TYPE	SEQUENCE NUMBER	WAREHOUSE	NUMBER	TYPE	ITEM CLASS	ACTG CLS	NUMBER	ORDER ACTG CLS	REASON CODE
CA	100	1							
CA	110						1	1	
CA	120	1							1
CA	130	1						1	
CA	999								
CL	999	1	1	1					
CN	999								
CR	999								
CS	999								
IA	100	1							
IA	110	1	1	1					
IA	120	1	1	1			1	1	
IA	130	1	1	1	1				1
IA	140	1	1	1	1	1		1	
IA	999								
IP	999								
IS	100	1							1
IS	200	1					1	1	
IS	300	1						1	
IS	400	1							
IS	999								
IU	999								
IW	100						1	1	
IW	999								
PC	500								
PC	999								
PH	999								
RC	999								
RM	999								
RP	100	1							
RP	999								
RS	999								
RW	999								
SA	100								1
SA	999								
SC	999								
SM	999								
SP	999								
VR	50	1							
VR	999								

TOTAL RECORDS PRINTED: 40

To print this report, use option 6 on the Account Assignment Rule Management menu. This report prints the account assignment information for transactions you selected on the List Rule Priorities display (AMIG901).

A 1 in the field indicates that the field will be used in assigning accounts for the sequence number assigned.

Fields

TRANSACTION TYPE. Code that indicates the kind of transaction.

The transaction types for IM are listed below.

CA	Cost adjustment
CL	Component transfer to line
CN	Component transfer to stores
CR	Average cost replace
CS	Standard cost replace
CU	Standard unit cost default replacement
IA	Inventory adjustment
IP	Planned manufacture issue
IS	Miscellaneous issue
IU	Unplanned component issue
IW	Interwarehouse issue
IX	Uncontrolled floor stock
MQ	Manufacturing item QC complete
PH	Physical inventory update
PQ	Purchase item QC complete
RC	Miscellaneous receipt
RM	Production receipt
RP	P.O. receipt to stock
RQ	Shelf life expired - reject
RS	Component return to stock
RW	Interwarehouse receipt
SA	Sales shipment
SC	Manufacturing component scrap
SM	Manufacturing order scrap
SP	Purchase order scrap
SQ	QC status change
SS	Scrap from stock
VR	Purchase return to vendor

SEQUENCE NUMBER. User-assigned number that controls the order in which each priority for a transaction type is used when assigning account numbers.

WAREHOUSE. Code defined by your company that identifies the warehouse in which this item is currently stocked.

ITEM NUMBER. Number of the item, which can be any raw material, manufactured or purchased part, subassembly, assembly, or end item.

ITEM TYPE. Code that best describes the type of item:

0	Phantom
1	Assembly or subassembly
2	Fabricated item
3	Raw material
4	Purchased item
9	User option (Special)
F	Feature
K	Kit

ITEM CLASS. Code assigned by your company that identifies the class to which this item belongs. For example, STEL might mean items made of steel.

ITEM ACTG CLASS. Class, defined by your company, to group or classify items for accounting purposes.

ORDER OR SCHEDULE NUMBER. The identifier of the specific order or schedule used for this rule.

ORDER ACTG CLASS. Class, defined by your company, to group or classify orders for accounting purposes.

REASON CODE. Code assigned by your company that indicates the reason for a transaction.

TOTAL RECORDS PRINTED. Number of transaction records selected for printing.

Rules List (AMIGS)

MDQ FIVE INC		NO. 01		RULES LIST				DATE 8/06/** TIME 17.19.13		PAGE 1	AMIGS
FROM: TRANSACTION TYPE CA** TO: TRANSACTION TYPE SP**											
TRANSACTION TYPE	WAREHOUSE	NUMBER	ITEM TYPE	CLASS	ACTG CLASS	NUMBER	ORDER ACTG CLASS	REASON CODE	TYPE	COMPANY NUMBER	ACCOUNT NUMBER
CA									CHARGE	1	999
									OFFSET	1	999
									VARIANCE	1	999
CA						007	002		CHARGE	2	411
									OFFSET		
									VARIANCE		
CA	001							SAMPLE	CHARGE	1	550
									OFFSET		
									VARIANCE		
CA	001						001		CHARGE	1	401
									OFFSET		
									VARIANCE		
CA	002								CHARGE	1	40
									OFFSET	1	930
									VARIANCE		
CA	002							SAMPLE	CHARGE	2	550
									OFFSET		
									VARIANCE		
CA	002						002		CHARGE	2	401
									OFFSET		
									VARIANCE		
IA									CHARGE	1	40
									OFFSET	1	401
									VARIANCE		
IS									CHARGE	1	999
									OFFSET	1	999
									VARIANCE	1	999
IS						007	002		CHARGE	2	411
									OFFSET		
									VARIANCE		
IS	001								CHARGE	1	40
									OFFSET	1	930
									VARIANCE		

MDQ FIVE INC.		NO. 01		RULES LIST				DATE 8/06/** TIME 17.19.13		PAGE 2	AMIGS
FROM: TRANSACTION TYPE CA** TO: TRANSACTION TYPE SP**											
TRANSACTION TYPE	WAREHOUSE	NUMBER	ITEM TYPE	CLASS	ACTG CLASS	NUMBER	ORDER ACTG CLASS	REASON CODE	TYPE	COMPANY NUMBER	ACCOUNT NUMBER
SP	001						001		CHARGE	1	401
									OFFSET		
									VARIANCE		
SP	002								CHARGE	2	40
									OFFSET		
									VARIANCE		
SP	002							SAMPLE	CHARGE	2	550
									OFFSET		
									VARIANCE		
SP	002						002		CHARGE	2	401
									OFFSET		
									VARIANCE		
SP	002					007	002		CHARGE	2	411
									OFFSET		
									VARIANCE		

This report prints when you select option 5 on the Account Assignment Rule Management menu. It generates the rules you have defined for assigning accounts to transactions. The information in the report heading shows you the selection criteria you chose on the List Rules display (AMIG801) for listing the file.

Fields

Transaction Type. For IM, the transaction types are:

CA	Cost adjustment
CL	Component transfer to line
CN	Component transfer to stores
CR	Average cost replace
CS	Standard cost replace
CU	Standard unit cost default replacement
IA	Inventory adjustment
IP	Planned manufacture issue
IS	Miscellaneous issue
IU	Unplanned component issue
IW	Interwarehouse issue
IX	Uncontrolled floor stock
MQ	Manufacturing item QC complete
PH	Physical inventory update
PQ	Purchase item QC complete
RC	Miscellaneous receipt
RM	Production receipt
RP	P.O. receipt to stock
RQ	Shelf life expired - reject
RS	Component return to stock
RW	Interwarehouse receipt
SA	Sales shipment
SC	Manufacturing component scrap
SM	Manufacturing order scrap
SP	Purchase order scrap
SQ	QC status change
SS	Scrap from stock
VR	Purchase return to vendor

WAREHOUSE. Code defined by your company that identifies the warehouse in which this item is currently stocked.

ITEM NUMBER. Number of the item, which can be any raw material, manufactured or purchased part, subassembly, assembly, or end item.

Code that best describes the type of item:

0	Phantom
1	Assembly or subassembly
2	Fabricated item
3	Raw material
4	Purchased item
9	User option (Special)
F	Feature
K	Kit

ITEM CLASS. Code assigned by your company that identifies the class to which this item belongs. For example, STEL might mean items made of steel.

ITEM ACTG CLASS. Class, defined by your company, to group or classify items for accounting purposes.

ORDER OR SCHEDULE NUMBER. Class, defined by your company, to group or classify items for accounting purposes.

ORDER ACTG CLASS. Class, defined by your company, to group or classify orders for accounting purposes.

REASON CODE. Code assigned by your company that indicates the reason for a transaction.

Code that identifies how the transaction amount originated:

- 1 Charge
- 2 Offset
- 3 Variance

The sign of the amount determines whether it becomes a debit or credit to General Ledger.

CHARGE. Company and account number combination to receive the charge associated with a specific transaction type.

COMPANY. Unique identifier for a particular company.

This company is assigned to receive the charge amount of the transaction record based upon the rules and priorities you defined in your Account Assignment and Account Sequences files.

ACCOUNT. Account number to be assigned to the charge transaction.

This account number is assigned as the charge account type for the transaction based upon the rules and priorities you defined.

If International Financial Management (IFM) is installed and you answered "Yes" to the GL interface, unit and nature appear instead of company and account number. Refer to the *IFM User's Guide* for additional information.

OFFSET. Company and account number combination to receive the offset associated with a specific transaction type.

COMPANY. Unique identifier for a particular company.

This company is assigned to receive the offset amount of the transaction record based upon the rules and priorities you defined in your Account Assignment and Account Sequences files.

ACCOUNT. Account number to be assigned to the charge transaction.

This account number is assigned as the offset account type for the transaction based upon the rules and priorities you defined.

If International Financial Management (IFM) is installed and you answered "Yes" to the GL interface, unit and nature appear instead of company and account number. Refer to the *IFM User's Guide* for additional information.

VARIANCE. [Company and account number combination to receive the variance associated with a specific transaction type.](#)

COMPANY. [Unique identifier for a particular company.](#)

This company is assigned to receive the variance amount of the transaction record based upon the rules and priorities you defined in your Accounts Assignment and Account Sequences files.

ACCOUNT. [Account number to be assigned to the variance transaction.](#)

This account number is assigned as the variance account type for the transaction based upon the rules and priorities you defined.

If International Financial Management (IFM) is installed and you answered "Yes" to the GL interface, unit and nature appear instead of company and account number. Refer to the IFM User's Guide for additional information.

TOTAL RECORDS PRINTED. [Number of transaction records selected for printing.](#)

Schedule History (AMIH35)

HERDER CO.		SCHEDULE HISTORY				DATE 11/02/**	TIME 14.16.27	PAGE 1	AMIH35	
LINE PLPL1	MASTER TOY ASSEMBLY LINE	SCHEDULE NBR	S000003	SCHEDULE TYPE	SUMMARY	ENG DRAW				
ITEM MPP601	MPA PARENT 601	WAREHOUSE	MP4	SITE		S-NUMBER				
PLANNER 111	JOB NUMBER 01-C00000001	REFERENCE NBR		DEPT REP4	SCHED DATE 11/04/**	RUN SEQUENCE	0			
CUMULATIVE YIELD 100.0										
----- QUANTITY -----		----- COST -----				----- DATE -----				
SCHEDULED	20.000	UNIT	.0000	SETUP	.00	SCHEDULED START	11/03/**			
SCRAPPED	.000	SCRAP	.00	LABOR	120.00	ACTUAL START	0/00/00			
RECEIVED	20.000	RECEIPT	1705.00	OVERHEAD	12.00					
		RCPT PTD	1705.00	ISSUE	1573.00					
ACTIVE Y	OPERATION 0010	PREP MPA_01	WORK CENTER FINAL	MPA FINAL ASSEMBLY	DEPT					
----- STANDARD -----										
	HOURS	RATE			CODE			----- MISCELLANEOUS -----		
SETUP LABOR	.00	25.000	UNITS COMPLETED	20.000	TIME BASIS	PRIME LOAD	1	SETUP CREW SIZE	1	
RUN LABOR	2.00	15.000	UNITS SCRAPPED	.000	OVERHEAD COST B	REWORK FLAG	0	PROCESS SHEET		
RUN MACHINE	.00	40.000	CURRENT YIELD	100.0			TOOL			
OUTSIDE COST	.00000000									
		----- QUANTITY -----				DATE	DATE LAST	FLR		
AC COMPONENT	SEQ	REQUIRED	ISSUED	SCHED	SCRAP	COMP	SCRAP	UM	UNIT COST	
Y MPA601		20.000	20.000	.000	.000	EA			11.0500	
		AVERAGE ACTUAL MATERIAL COST PER UNIT						11.0500		
		AVERAGE STANDARD LABOR, MACHINE, AND OVERHEAD COST PER UNIT						1.6500		
		TOTAL COST PER UNIT FOR THIS OPERATION						12.7000		
		TOTAL CUMULATIVE COST PER UNIT INCLUDING THIS OPERATION						12.7000		

To print this report, use option 2 on the Manufacturing Order History menu (AMIMA0) and then option 5 next to a REP schedule.

Fields

LINE. The production line (with description) on which the scheduled item is to be manufactured.

ITEM. The item (with description) for which the production schedule is generated.

PLANNER. The code of the person responsible for planning and scheduling the finished item.

JOB NUMBER. The customer job number that is associated with the schedule.

SCHEDULE NBR. The number assigned by the system to each schedule in the data base.

WAREHOUSE. The warehouse from which the components are to be issued.

SITE. If EPDM is active, the site identifier from the warehouse master record.

REFERENCE NBR. The user-defined code used to provide additional information.

SCHEDULE TYPE. The schedule type is daily or summary.

ENG DRAW (Engineering Drawing). The unique engineering drawing number assigned to an end product or item. This number is kept outside the data base.

DEPT. The user-defined department code.

SCHED DATE. The date when the item's schedule is due to be completed.

S-NUMBER. The features and options code for the finished item. This field appears only if you selected the PDM install/tailor option to use feature and option numbers.

RUN SEQUENCE. The sequence in which the schedules are run on the production line.

CUMULATIVE YIELD. The cumulative yield for this schedule expressed as a percentage.

QUANTITY.

SCRAPPED. The quantity of the scheduled item to be scrapped.

RECEIVED. The quantity of the scheduled item received from the production line.

COST.

UNIT. The cost of each unit of the scheduled item.

SCRAP. The cost of units scrapped charged to the scheduled item.

RECEIPT. The cost of units received to date from production.

RCPT PTD. The cost of units received this period from production.

SETUP. The actual setup labor cost for the operation.

LABOR. The actual run labor cost for the operation.

OVERHEAD. The actual overhead cost for the operation.

ISSUE. The actual cost of the components issued to a schedule.

DATE.

SCHEDULED START. The date a schedule is to be started in production.

ACTUAL START. The actual date that a schedule is started in production.

ACTIVE. This code designates an operation as being active or inactive.

OPERATION. The operation number and description for the scheduled item where the component is used.

WORK CENTER. The grouping of workers or machines (with description) used to perform the operation.

DEPT. The user-defined department code.

STANDARD.

SETUP LABOR HOURS. The standard setup labor hours per unit for an operation.

SETUP LABOR RATE. The standard setup labor rate in dollars per hour.

RUN LABOR HOURS. The standard run labor hours per unit for an operation times the scheduled quantity.

RUN LABOR RATE. The standard run labor rate in dollars per hour.

RUN MACHINE HOURS. The standard run machine hours per unit for an operation times the scheduled quantity.

RUN MACHINE RATE. The standard run machine rate in dollars per hour.

OUTSIDE COST. The cost per piece charged by the vendor to produce the item. This field is used when the time basis code is C.

UNITS COMPLETED. The number of units completed for this operation.

UNITS SCRAPPED. The number of units scrapped for this operation.

CURRENT YIELD. Completed units for this operation expressed as a percentage.

CODE.

TIME BASIS. The time basis code relates the standard operation run unit time fields to expected operation quantities in order to develop standard operation run labor hours, run machine hours, and run labor costs (for outside operations). The codes are:

blank	hours per unit
C	cost per piece (for outside operations)
H	hours per lot
M	minutes per piece
P	pieces per hour
1	hours per 10 units
2	hours per 100 units
3	hours per 1,000 units
4	hours per 10,000 units

OVERHEAD COST. This code indicates how the overhead for this production facility is calculated.

PRIME LOAD. The code used in the operation duration calculation for the forward scheduling can be:

0	No hours accumulated
1	Run machine hours
2	Setup labor hours divided by setup crew size
3	(Setup labor hours divided by setup crew size) plus run machine hours
4	Run labor hours
5	(Setup labor hours divided by setup crew size) plus run labor hours

REWORK FLAG. The code indicates whether this is a rework operation.

0	No
----------	----

1 Yes

MISCELLANEOUS.

SETUP CREW SIZE. The value used to calculate a setup machine hours value using a setup labor value.

PROCESS SHEET. The process sheet number used to identify the detailed instruction for the operation.

TOOL. The number assigned to a specific tool or list of tools needed to perform the operation.

AC. This field indicates whether a component is active or inactive.

COMPONENT. The component used in the production of the scheduled item.

SEQ. The user-defined sequence number that shows the position of the component in the bill of material.

QUANTITY.

REQUIRED. The total quantity of the component required for the operation.

ISSUED. The total quantity of the component issued to date for the operation.

SCHED SCRAP. The quantity of the scheduled item scrapped.

COMP SCRAP. The quantity of the component scrapped.

UM (Unit of Measure). The component unit of measure.

UNIT COST. The cost of each unit of the component.

DATE REQUIRED. The date when the component is required at the production line.

DATE LAST ISSUED. The date when the component was last issued to the production line.

LINE LOC. The location at the production line where the component is delivered.

FLR STK. This code indicates if an item is classified as floor stock. The codes are:

- blank** Not floor stock
- C** Controlled floor stock item
- U** Uncontrolled floor stock item

AVERAGE ACTUAL MATERIAL COST PER UNIT. These are calculated fields.

AVERAGE STANDARD LABOR, MACHINE, AND OVERHEAD COST PER UNIT

TOTAL COST PER UNIT FOR THIS OPERATION

TOTAL CUMULATIVE COST PER UNIT INCLUDING THIS OPERATION

Shop Packet Worksheet (AMI4H1)

GATEWAY MFG CO.		SHOP PACKET WORKSHEET				DATE 11/07/**	TIME 10.59.28	PAGE 1	AMI4H1	
		USER DESCRIPTION MFG ORDERS FROM M003720 TO M003800								
ORDER NUMBER	ITEM NUMBER DESCRIPTION	WH REV	ORDER QUANTITY	START DATE	LAST TRANS DATE	DUE DATE	OPER E2 UNIT COST	PAGE IN ORDER STANDARD COST	1 QTY IN SPLITS	
MFG0100	19333 1 STRAWBERRY SHAMPOO	ATL 123	1,000,000.111	11/02/**	0/00/**	11/15/**	12,345,678,912.1234	80,282,493,816.0257	2,000.000	
	TEST PARENT ITEM								1,000.000	
			ADJ ORDER QTY	950,000.000						
CUSTOMER JOB NUMBER	WAREHOUSE STOCK LOC	ENGINEERING DRAWING NUMBER	MULTI-ORD REFERENCE	PLANNER	DEPARTMENT	TURNAROUND NUMBER				
01-C00000001	STKLOCA	ENG DRAW # 1234	SHPPCKTEST		DP10					
									----- Bar Code *-----*	
MATERIAL LIST BY COMPONENT ITEM NUMBER										
COMPONENT DESCRIPTION	WH	REVISION	STOCK LOC	U/ /M	STANDARD QUANTITY	ISSUED QUANTITY	STANDARD COST	USER OPSEQ SEQ	DATE REQ OP START	F/ /S
21212	ATL	123	WHSLOCB	EA	1,000,000.111	3.500	5,443,161,086,430.77	0001 0010	11/02/**	C
DL-PANTHENOL										
			LOCATION	BATCH/LOT NUMBER		FIFO DATE				
UNALLOCATED QUANTITY:		150,000.000								

GATEWAY MFG CO.		SHOP PACKET WORKSHEET				DATE **/**/**	TIME 10.59.28	PAGE 2	AMI4H1		
		USER DESCRIPTION MFG ORDERS FROM M003720 TO M003800									
ORDER NUMBER	ITEM NUMBER DESCRIPTION	WH REV	ORDER QUANTITY	START DATE	LAST TRANS DATE	DUE DATE	OPER E2 UNIT COST	PAGE IN ORDER STANDARD COST	2 QTY IN SPLITS		
MFG0100	19333 TEST PARENT ITEM	ATL 123	1,000,000.111	11/02/**	0/00/**	11/15/**	12,345,678,912.1234	80,282,493,816.0257	2,000.000 1,000.000		
			ADJ ORDER QTY	950,000.000							
CUSTOMER JOB NUMBER	WAREHOUSE STOCK LOC	ENGINEERING DRAWING NUMBER	MULTI-ORD REFERENCE	PLANNER	DEPARTMENT	TURNAROUND NUMBER					
01-C00000001	STKLOCA	ENG DRAW # 1234	SHPPCKTEST		DP10						
									----- Bar Code *-----*		
* DETAILED OPERATIONS LIST											
OPER NO	M FAC	OPERATION DESCRIPTION	PROCESS SHEET	MOVE TIME	QUEUE TIME	START DATE	CPLTN DATE	SETUP TIME	RUN TIME	OPERATION COST	STA COD
0010	DP90	IN040 MAKE PRODUCT BASE	PA0122	.00	.000	0/00/00	0/00/00	.00	7.16 HRS	1,133.40	10
									----- Bar Code *-----*		
MISCELLANEOUS CHARGES LIST											
MISCELLANEOUS CHARGE NUMBER	MISCELLANEOUS DESCRIPTION	UNIT/REQ QUANTITY	REQUIRED QUANTITY	UNIT COST	STANDARD COST	TURNAROUND NUMBER					
CHG1	PRINT LABELS	3.0000	75.000	.0075	.56						
CHG2	BOTTLE TREAT	.0000	2.000	.0000	10.00						
									----- Bar Code *-----*		

To print this report, use option 3 on the Order Release and Closeout menu (AMIM40) or option 1 on the Shop Packet Creation menu (AMIM44).

This reports prints if PM&C is installed and format 1 is selected for worksheets.

You can print this report as part of the shop packet, whether you print the shop packet during order release or at a later time. For each order, the report can show the end item ordered, its components, and (if PC&C is interfacing with IM) details about operations, such as the operations required to produce the end item and standard times. The information included depends on your answers to the Install/Tailor questionnaire and on the options you select when you print the report.

This report prints with identifier AMI4I1 when you print it as part of an individual shop packet.

Fields

ORDER NUMBER. The control number identification of this manufacturing order.

ITEM NUMBER. The item number of the manufacturing order's end item. It is stored in the Manufacturing Order Master record.

DESCRIPTION. The item description of the manufacturing order's end item. It is stored in the Manufacturing Order Master record.

Note: If KBC is interfacing and this is a configured item, the configured description and option comments appear below the item description.

WH. The warehouse of the manufacturing order's end item. It is stored in the Manufacturing Order Master record.

REV (Revision). The revision identifier associated with this parent item. This field appears only if EPDM is interfacing.

UM. The unit of measure.

ORDER QUANTITY. The quantity released to the shop floor at the first operation. (This field appears when PC&C and IM are interfacing.)

START DATE. The date when an order is to begin. The order start date can only be specified in the IM order release or Manufacture Order Master file maintenance procedures.

LAST TRANS DATE. The date of the last activity on the order. (This field appears when PC&C and IM are interfacing.)

DUE DATE. The scheduled completion date of a manufacturing order. It is calculated by the PC&C forward scheduling routine. The scheduled completion date of the last operation within a manufacturing order becomes the scheduled completion date of the order. (This field appears when PC&C and IM are interfacing.)

UNIT COST. The cost per unit of the end item to be manufactured for the order. The cost can be entered manually or calculated from receipts by average, standard, or last cost methods. If the calculated cost is 0 (zero), the unit cost (CSTPC) in the Manufacturing Order Master file is not changed by the order. (This field appears when PC&C and IM are interfacing.)

STANDARD COST. The standard order projected cost. It is the original order quantity multiplied by the standard unit order cost.

QTY IN SPLITS. The quantity of this order contained in split orders.

CUSTOMER JOB NUMBER. This field can be used to relate this manufacturing order to a specific customer job number.

WAREHOUSE STOCK LOC. The manufacturing order's end item stock location. It is stored in the Manufacturing Order Master record.

ENGINEERING DRAWING NUMBER. The end item's engineering drawing number. It is stored in the Manufacturing Order Master record when the shop order was created during order release.

MULTI-ORD REFERENCE. A code that can be used to group manufacturing orders for reporting purposes. Orders can be categorized for subtotals on the summary reports or selected together by this grouping in a detail reporting run. The grouping can be different from the customer job number and item number grouping, but these groupings have to be specified manually in IM order entry or Manufacture Order Master file maintenance by using the field Reference Number.

PLANNER. A code that identifies the person responsible for planning the replenishment strategy for this item.

DEPARTMENT. The department associated with this order.

TURNAROUND NUMBER. The turnaround number for this item. (This field appears when PM&C and IM are interfacing.)

COMPONENT DESCRIPTION. The description for this component item.

WH. The number of the warehouse in which this component item is located.

REVISION. The revision identifier associated with this component item. This field appears only if EPDM is interfacing.

STOCK LOC. The component item's location in the warehouse.

U/M. The units used to express the component item quantity.

STANDARD QUANTITY. The component quantity required for this order.

ISSUED QUANTITY. The component quantity issued to the order since the order was first released.

STANDARD COST. The standard unit cost multiplied by the order quantity. (This field appears when PC&C and IM are interfacing.)

USER SEQ. A user-supplied number that, together with the component item number, establishes the sequence of the bill of material.

OPSEQ. A 4-digit field which sequences the manufacturing operations.

DATE REQ. The date the material is required for the order.

OP START. The start date for the operation as calculated by the forward scheduling routine in PC&C. This field appears when IM and PC&C are interfacing. It is projected from the order start date.

F/S (Floor Stock). The floor stock number for this item. Valid codes are:

blank This item is not floor stock.
C This item is controlled floor stock.
U This item is uncontrolled floor stock.

LOCATION. The stock location of the item, as stored in the Location Detail file. If you are using uncontrolled warehouses, no data is printed in this field.

BATCH/LOT NUMBER. The batch/lot number of each allocated and unallocated quantity. No data is printed in this field if you are using an uncontrolled warehouse.

FIFO DATE. The date the item was received in stock. No data is printed in this field if you are using an uncontrolled warehouse.

QUANTITY. Quantity of each item needed to fill the order, listed by stock location, either allocated or unallocated:

ALLOCATED QTY: Identifies some or all of the standard quantity that has been designated to be picked from a particular batch or location.

UNALLOCATED QTY: Identifies the quantity of the item available for use in a batch or location.

The number of quantities that print for each item varies depending on the option you selected on the Shop Packet display. If there is no stock available in any location, the message NONE APPROVED is printed.

OPER NO. This field identifies the manufacturing step necessary to complete an order. The forward scheduling routine in PC&C follows the sequence of the operation within a manufacturing order to schedule the start and completion dates of each operation. In addition, an estimated completion date for the whole order is determined to be the scheduled completion date of the last operation of that order. (This field appears when PC&C and IM are interfacing.)

MS. A code that identifies the type of sub-operation the operation is, if the operation belongs to a milestone group. (This field appears when PC&C and IM are interfacing.)

First sub-operation:

B A milestone group with no activity reported
P A milestone group with activity reported
C A milestone group with activity reported complete

Not first or last sub-operation:

S A sub-operation which is between the first and last sub-operations

Last sub-operation:

J The end of a job shop milestone group
F The end of a flow shop milestone group

DEPT. The department number entered on the shop feedback document. If blank, the Payroll application defaults to the department number in the Employee Master file. (This field appears when PC&C and IM are interfacing.)

FAC ID. The planned work center where this operation is to be performed. (This field appears when PC&C and IM are interfacing.)

OPERATION DESCRIPTION. The description of that individual operation in a manufacturing order. (This field appears when PC&C and IM are interfacing.)

PROCESS SHEET. The number of the process sheet that further describes a routing of an end item. (This field appears when PC&C and IM are interfacing.)

TOOL. A number that identifies either a specific special tool or a list of tools needed to perform the operation. The control of a master list of special tools must be done outside of the MAPICS XA data base. (This field appears when PC&C and IM are interfacing.)

MOVE TIME. The planned move time in days for a manufacturing operation. This value may come from the Routing file or be entered in order entry or file maintenance. It is used in the manufacturing order forward scheduling routines. (This field appears when PC&C and IM are interfacing.)

QUEUE TIME. The planned queue time in days for a manufacturing operation. This value may come from the Work Center file or be entered in order entry or file maintenance. It is used in the manufacturing order forward scheduling routines. (This field appears when PC&C and IM are interfacing.)

START DATE. The date when an operation is to begin. The order start date can only be identified in the IM order entry or Manufacture Order Master file maintenance procedures.

CMPLTN DATE. The scheduled completion date of a manufacturing operation. It is calculated by the PC&C forward scheduling routine. The scheduled completion date of the last operation within a manufacturing order becomes the scheduled completion date of the order. (This field appears when PC&C and IM are interfacing.)

SETUP TIME. The amount of setup machine or setup labor time added together according to the prime load code of the operation. (This field appears when PC&C and IM are interfacing.)

RUN TIME. The amount of run machine or run labor time added together according to the prime load code of the operation. (This field appears when PC&C and IM are interfacing.)

OPERATION COST. The sum of the standard setup cost, run labor cost, machine cost, and overhead cost of the operation at the time of order release. (This field appears when PC&C and IM are interfacing.)

STA COD. The manufacturing order status. The codes are:

- 10** Released, but no activity reported
- 40** Order started; material, outside operations, labor, machine or miscellaneous charges transaction processed

- 45** IM material receipt to stock has been reported as complete; PC&C has not reported the order as complete (outside operations, labor, machine, and miscellaneous charges)
- 50** PC&C has reported the order as complete (outside operations, labor, machine, and miscellaneous charges); IM material receipt to stock has not been reported as complete
- 55** Order complete; includes all material, outside operations, labor, machine, and miscellaneous charges
- 99** Order canceled; no activity has been reported.

MISCELLANEOUS CHARGE NUMBER. The number identifying a miscellaneous charge within a manufacturing order. (This field appears when PC&C and IM are interfacing.)

MISCELLANEOUS DESCRIPTION. The description of an individual charge for a manufacturing order. (This field appears when PC&C and IM are interfacing.)

UNIT/REQ QUANTITY. This quantity is used, when it is not 0 (zero), to calculate a standard (or expected) miscellaneous charge required quantity by multiplying it with the original order quantity. (This field appears when PC&C and IM are interfacing.)

REQUIRED QUANTITY. This quantity is used as the standard (or expected) fixed miscellaneous charge quantity when it is not 0 (zero). The unit required quantity field is ignored whenever this field is not zero. (This field appears when PC&C and IM are interfacing.)

UNIT COST. The miscellaneous charge unit cost, used to calculate the standard (or expected) miscellaneous charge cost when it is not 0 (zero). It is multiplied by the miscellaneous required quantity (unit or fixed). (This field appears when PC&C and IM are interfacing.)

STANDARD COST. The miscellaneous charge fixed standard cost, used as the standard (or expected) fixed miscellaneous charge cost when it is not 0 (zero). The unit cost field is ignored whenever this field is not 0 (zero). (This field appears when PC&C and IM are interfacing.)

Shop Packet Worksheet (AMI4H2)

SHOP PACKET WORKSHEET DATE 9/19/** PAGE 1 AMI4H2
 NORTHCREEK IND. TIME 16.46.42 PAGE IN ORDER 1
 USER DESCRIPTION MFG ORDERS FROM M003720 TO M003800
 ORDER ITEM NUMBER WH UM DESCRIPTION PLANNER TURNAROUND
 M000780 19333 ATL 1 STRAWBERRY SHAMPOO NUMBER
 REV 123
 ORDER QTY 100.000 DEV QTY .000
 STOCK LOC A100 SPL QTY .000
 JOB NO 01-C00000001

 | Bar Code |

START DATE 7/31/** DUE DATE 8/15/**
 MATERIAL LIST BY COMPONENT ITEM NUMBER
 COMPONENT ITEM WH USEQ STLOC STD QTY OPSEQ DATE REQ TURNAROUND
 DESCRIPTION U/M REV F ISS QTY FACID OP START NUMBER
 21212 ATL 123 2000000.222 0010 11/16/**
 DL-PANTHENOL C .000 11/16/**

 | Bar Code |

TEST COMPONENT ITEM FOR SHPPKT

UNALLOC QTY: 2,600,000.000
 LOCATION BATCH/LOT NUMBER FIFO DATE

 | Bar Code |

 | Bar Code |

SHOP PACKET WORKSHEET DATE 9/19/** PAGE 2 AMI4H2
 NORTHCREEK IND. TIME 16.46.42 PAGE IN ORDER 2
 USER DESCRIPTION MFG ORDERS FROM M003720 TO M003800
 ORDER ITEM NUMBER WH DESCRIPTION PLANNER TURNAROUND
 M000780 19333 ATL 1 STRAWBERRY SHAMPOO NUMBER
 ORDER QTY 100.000 DEV QTY .000
 STOCK LOC A100 SPL QTY .000
 JOB NO 01-C00000001

 | Bar Code |

START DATE 7/31/** DUE DATE 8/15/**

DETAILED OPERATIONS LIST

OPNO	M	FACID	PROC	TOOL	ST	MOVE	SETUP	START	TURNAROUND
DEPT	S	DESC	SHEET			QUEUE	RUN	COMPLT	NUMBER
0010		IN040	PROCNO	DRILL	10	12.11	.00	11/07/**	

 | Bar Code |

DP60 OPERATION DESC # 222 1.50 21,370.30 0/00/**

MISCELLANEOUS CHARGES LIST

MISC CHARGE	QTY PER UNIT	TOTAL QTY	TURNAROUND
DESCRIPTION			NUMBER
MISC DETAIL #44	1,234,567.1234	9,000,000.111	

 | Bar Code |

MISC DTL DESCRIPTION

To print this report, use option 1 on the Shop Packet Creation menu (AMIM44).

This report prints if PM&C is installed and report format 2 is selected for worksheets.

Fields

ORDER. The control number identification of this manufacturing order.

ITEM NUMBER. The item number of the manufacturing order's end item. It is stored in the Manufacturing Order Master record.

WH. The warehouse of the manufacturing order's end item. It is stored in the Manufacturing Order Master record.

DESCRIPTION. The item description of the manufacturing order's end item. It is stored in the Manufacturing Order Master record

Note: If KBC is interfacing and this is a configured item, the configured description and option comments appear below the item description.

PLANNER. A code that identifies the person responsible for planning the replenishment strategy for this item.

TURNAROUND NUMBER. The turnaround number for the item. (This field appears only if PM&C is installed and interfacing.)

REV (Revision). The revision identifier for the component item. (This field appears only if EPDM is interfacing.)

ORDER QTY. The quantity released to the shop floor at the first operation. (This field appears only if PC&C is installed and interfacing.)

DEV QTY. The quantity by which the original order quantity has been changed.

STOCK LOC. The manufacturing order's end item stock location. It is stored in the Manufacturing Order Master record.

SPL QTY. The quantity of this order contained in split orders.

JOB NO. This field can be used to relate this manufacturing order to a specific customer job number.

START DATE. The scheduled start date of a manufacturing order. The order start date can only be specified in the IM order release or Manufacture Order Master file maintenance procedures.

DUE DATE. The scheduled completion date of a manufacturing order. This is calculated by the PC&C forward scheduling routine. The scheduled completion date of the last operation within a manufacturing order becomes the scheduled completion date of the order. (This field appears only if PC&C is installed and interfacing.)

COMPONENT ITEM DESCRIPTION. The description for this component item.

WH. The number of the warehouse in which this component item is located.

U/M. The units used to express the component item quantity.

REV (Revision). The revision identifier for the parent item. (This field appears only if EPDM is interfacing.)

USEQ. A number supplied by the user to sequence the bill of material.

STLOC. The component item's location in the warehouse.

F. The floor stock number for this item. Valid codes are:

blank This item is not floor stock.

C This item is controlled floor stock.

U This item is uncontrolled floor stock.

STD QTY. The component quantity required for this order.

ISS QTY. The component quantity issued to the order since the order was first released.

OPSEQ. A 4-digit field which sequences the manufacturing operations.

FACID. The planned work center where this operation is to be performed. (This field appears only if PC&C is installed and interfacing.)

DATE REQ. The date the material is required for the order.

OP START. The start date for the operation as calculated by the forward scheduling routine in PC&C. This field appears when IM and PC&C are interfacing. It is projected from the order start date.

UNALLOC QTY. Identifies the quantity of the item available for use in a batch or location.

LOCATION. The stock location of the item, as stored in the Location Detail file. If you are using uncontrolled warehouses, no data is printed in this field.

BATCH/LOT NUMBER. The batch/lot number of each allocated and unallocated quantity. No data is printed in this field if you are using an uncontrolled warehouse.

FIFO DATE. The date the item was received in stock. No data is printed in this field if you are using an uncontrolled warehouse.

OPNO. This field identifies the manufacturing step necessary to complete an order. The forward scheduling routine in PC&C follows the sequence of the operation within a manufacturing order to schedule the start and completion dates of each operation. In addition, an estimated completion date for the whole order is determined to be the scheduled completion date of the last operation of that order. (This field appears only if PC&C is installed and interfacing.)

DEPT. The department number entered on the shop feedback document. If blank, the Payroll application defaults to the department number in the Employee Master file. (This field appears only if PC&C is installed and interfacing.)

MS. A code that identifies the type of sub-operation the operation is, if the operation belongs to a milestone group. (This field appears only if PC&C is installed and interfacing.)

First sub-operation:

- B** A milestone group with no activity reported
- P** A milestone group with activity reported
- C** A milestone group with activity reported complete

Not first or last sub-operation:

- S** A sub-operation which is between the first and last sub-operations

Last sub-operation:

- J** The end of a job shop milestone group
- F** The end of a flow shop milestone group

FAC ID. The planned work center where this operation is to be performed. (This field appears only if PC&C is installed and interfacing.)

DESC. The description of that individual operation in a manufacturing order. (This field appears only if PC&C is installed and interfacing.)

PROC SHEET. The number of the process sheet that further describes a routing of an end item. (This field appears only if PC&C is installed and interfacing.)

TOOL. A number that identifies either a specific special tool or a list of tools needed to perform the operation. The control of a master list of special tools must be done outside of the MAPICS XA data base. (This field appears only if PC&C is installed and interfacing.)

ST. The status of the operation.

MOVE. The planned move time in days for a manufacturing operation. This value may come from the Routing file or be entered in order entry or file maintenance. It is used in the manufacturing order forward scheduling routines. (This field appears only if PC&C is installed and interfacing.)

QUEUE. The planned queue time in days for a manufacturing operation. This value may come from the Work Center file or be entered in order entry or file maintenance. It is used in the manufacturing order forward scheduling routines. (This field appears only if PC&C is installed and interfacing.)

SETUP. The amount of setup machine or setup labor time added together according to the prime load code of the operation. (This field appears only if PC&C is installed and interfacing.)

RUN. The amount of run machine or run labor time added together according to the prime load code of the operation. (This field appears only if PC&C is installed and interfacing.)

START. The start date for the operation as calculated by the forward scheduling routine in PC&C. This field is based on the order start date.

COMPLT. The scheduled completion date of a manufacturing operation. It is calculated by the PC&C forward scheduling routine. The scheduled completion date of the last operation within a manufacturing order becomes the scheduled completion date of the order. (This field appears only if PC&C is installed and interfacing.)

MISC CHARGE. The number identifying a miscellaneous charge within a manufacturing order. (This field appears only if PC&C is installed and interfacing.)

DESCRIPTION. The description of an individual charge for a manufacturing order. (This field appears only if PC&C is installed and interfacing.)

QTY PER UNIT. The quantity of a miscellaneous charge item required for each unit of the order quantity.

TOTAL QTY. The total quantity of the miscellaneous charge item required for this order. It is the result of multiplying the quantity per unit by the order quantity.

Shop Packet Worksheet (AMI4H3)

GATEWAY MFG CO.		SHOP PACKET WORKSHEET							DATE **/**/**	TIME 10.59.28	PAGE 1	AMI4H3
		USER DESCRIPTION MFG ORDERS FROM M003720 TO M003800							OPER E2	PAGE IN ORDER	1	
ORDER NUMBER	ITEM NUMBER DESCRIPTION	WH REV	UM	ORDER QUANTITY	START DATE	LAST TRANS DATE	DUE DATE	UNIT COST	STANDARD COST	QTY IN SPLITS		
MFG0100	19333 1 STRAWBERRY SHAMPOO	ATL 123		1,000,000.111	11/02/**	0/00/**	11/15/**	12,345,678,912.1234	80,282,493,816.0257	2,000.000	1,000.000	
				ADJ ORDER QTY	950,000.000							
CUSTOMER JOB NUMBER	WAREHOUSE STOCK LOC	ENGINEERING DRAWING NUMBER	MULTI-ORD REFERENCE	PLANNER	DEPARTMENT							
01-C00000001	04526	PX001150	MBJ5									
MATERIAL LIST BY COMPONENT ITEM NUMBER												
COMPONENT DESCRIPTION	WH	REVISION	STOCK LOC	U/ /M	STANDARD QUANTITY	ISSUED QUANTITY	STANDARD COST	USER OPER SEQ	OPER LOCATION	DATE REQ BATCH/LOT	FIFO DATE	
21212 DL-PANTHENOL	ATL	123		EA	1,000,000.111	3.500	5,443,161,086,430.77	0001	0010	11/02/**	CTL FL	
						UNALLOCATED QTY	150,000.000	A101111			12/15/**	
						UNALLOCATED QTY	254,000.000	A101112			12/15/**	
						UNALLOCATED QTY	2,147,000.000	A101113			12/15/**	

GATEWAY MFG CO.		SHOP PACKET WORKSHEET							DATE **/**/**			
** TIME 10.59.28	PAGE 2	AMI4H3		USER DESCRIPTION MFG ORDERS FROM M003720 TO M003800								
ORDER NUMBER	ITEM NUMBER DESCRIPTION	WH REV	UM	ORDER QUANTITY	START DATE	LAST TRANS DATE	DUE DATE	UNIT COST	STANDARD COST	QTY IN SPLITS		
MFG0100	19333 1 STRAWBERRY SHAMPOO	ATL 2		1,000,000.111	11/02/**	0/00/**	11/15/**	12,345,678,912.1234	80,282,493,816.0257	2,000.000		
				ADJ ORDER QTY	950,000.000							
CUSTOMER JOB NUMBER	WAREHOUSE STOCK LOC	ENGINEERING DRAWING NUMBER	MULTI-ORD REFERENCE	PLANNER	DEPARTMENT							
01-C00000001	04526	PX001150	MBJ5		DP10							
DETAILED OPERATIONS LIST												
OPER NO	M S	FAC DEPT	OPERATION ID DESCRIPTION	PROCESS SHEET TOOL	MOVE TIME	QUEUE TIME	START DATE	CPLTN DATE	SETUP TIME	RUN TIME	OPERATION COST	STAT CODE
0010		DP90	FLC01 MAKE PRODUCT BASE	PA0122	.00	.00	0/00/00	0/00/00	.00	7.16HRS	1,133.40	10
		100	ADD INGREDIENTS									
		200	MIX 10 MINUTES									
0020			MIX HEAT TO 150 DEGREES		.00	.00	0/00/00	1/01/**	.00	14.32HRS	1,646.80	10
0030			MIX COOL TO 120 DEGREES		.00	.00	1/01/**	1/01/**	.00	3.40HRS	391.00	10
MISCELLANEOUS CHARGES LIST												
MISCELLANEOUS CHARGE NUMBER	MISCELLANEOUS DESCRIPTION	UNIT/REQ QUANTITY	REQUIRED QUANTITY	UNIT COST	STANDARD COST							
CHG1	PRINT LABELS	3.0000	75.000	.0075	.56							
CHG2	BOTTLE TREAT	.0000	2.000	.0000	10.00							

This report prints if PM&C is not installed. If PM&C is installed, the report that prints is "Shop Packet Worksheet (AMI4H2)".

You can print this report as part of the shop packet, whether you print the shop packet during order release or at a later time. For each order, the report can show the end item ordered, its components, and (if PC&C is interfacing with IM) details about operations, such as the operations required to produce the end item and standard times. The information included depends on your answers to the install/tailor questionnaire and on the options you select when you print the report.

This report prints with identifier AMI4I1 when you print it as part of an individual shop packet.

Fields

ORDER NUMBER. The control number identification of this manufacturing order.

ITEM NUMBER. The item number of the manufacturing order's end item. It is stored in the Manufacturing Order Master record.

DESCRIPTION. The item description of the manufacturing order's end item. It is stored in the Manufacturing Order Master record.

Note: If KBC is interfacing and this is a configured item, the configured description and option comments appear below the item description.

WH. The warehouse of the manufacturing order's end item. It is stored in the Manufacturing Order Master record.

REVISION. The identifier of the revision associated with this component item. This field appears only if EPDM is interfacing.

UM. The unit of measure.

ORDER QUANTITY. The quantity released to the shop floor at the first operation. (This field appears only if PC&C is installed and interfacing.)

START DATE. The date when an order is to begin. The order start date can only be specified in the IM order release or Manufacture Order Master file maintenance procedures.

LAST TRANS DATE. The date of the last activity on the order. (This field appears only if PC&C is installed and interfacing.)

DUE DATE. The scheduled completion date of a manufacturing order. It is calculated by the PC&C forward scheduling routine. The scheduled completion date of the last operation within a manufacturing order becomes the scheduled completion date of the order. (This field appears only if PC&C is installed and interfacing.)

UNIT COST. The cost per unit of the end item to be manufactured for the order. The cost can be entered manually or calculated from receipts by average, standard, or last cost methods. If the calculated cost is 0 (zero), the unit cost (CSTPC) in the Manufacturing Order Master file is not changed by the order. (This field appears only if PC&C is installed and interfacing.)

STANDARD COST. The standard order projected cost. It is the original order quantity multiplied by the standard unit order cost.

QTY IN SPLITS. The quantity of this order contained in split orders.

CUSTOMER JOB NUMBER. This field can be used to relate this manufacturing order to a specific customer job number.

WAREHOUSE STOCK LOC. The manufacturing order's end item stock location. It is stored in the Manufacturing Order Master record.

ENGINEERING DRAWING NUMBER. The end item's engineering drawing number. It is stored in the Manufacturing Order Master record when the shop order was created during order release.

MULTI-ORD REFERENCE. A code that can be used to group manufacturing orders for reporting purposes. Orders can be categorized for subtotals on the summary reports or selected together by this grouping in a detail reporting run. The grouping can be different from the customer job number and item number grouping, but these groupings have to be specified manually in IM order entry or Manufacture Order Master file maintenance by using the field Reference Number.

PLANNER. A code that identifies the person responsible for planning the replenishment strategy for this item.

DEPARTMENT. The department associated with this order.

COMPONENT DESCRIPTION. The description for this component item.

WH. The number of the warehouse in which this component item is located.

REV (Revision). The identifier of the revision associated with this component item. This field appears only if EPDM is interfacing.

STOCK LOC. The component item's location in the warehouse.

U/M. The units used to express the component item quantity.

STANDARD QUANTITY. The component quantity required for this order.

ISSUED QUANTITY. The component quantity issued to the order since the order was first released.

STANDARD COST. The standard unit cost multiplied by the order quantity. (This field appears only if PC&C is installed and interfacing.)

USER SEQ. A number supplied by the user to sequence the bill of material.

OPER LOCATION.

DATE REQ. The date the material is required for the order.

BATCH/LOT. The batch/lot number of each allocated and unallocated quantity. No data is printed in this field if you are using an uncontrolled warehouse.

FIFO DATE. The date the item was received in stock. No data is printed in this field if you are using an uncontrolled warehouse.

OPER NO. This field identifies the manufacturing step necessary to complete an order. The forward scheduling routine in PC&C follows the sequence of the operation within a manufacturing order to schedule the start and completion dates of each operation. In addition, an estimated completion date for the whole order is determined to be the scheduled completion date of the last operation of that order. (This field appears only if PC&C is installed and interfacing.)

MS. A code that identifies the type of sub-operation the operation is, if the operation belongs to a milestone group. (This field appears only if PC&C is installed and interfacing.)

First sub-operation:

- B** A milestone group with no activity reported
- P** A milestone group with activity reported
- C** A milestone group with activity reported complete

Not first or last sub-operation:

- S** A sub-operation which is between the first and last sub-operations

Last sub-operation:

- J** The end of a job shop milestone group
- F** The end of a flow shop milestone group

DEPT. The department number entered on the shop feedback document. If blank, the Payroll application defaults to the department number in the Employee Master file. (This field appears only if PC&C is installed and interfacing.)

FAC ID. The planned work center where this operation is to be performed. (This field appears only if PC&C is installed and interfacing.)

OPERATION DESCRIPTION. The description of that individual operation in a manufacturing order. (This field appears only if PC&C is installed and interfacing.)

PROCESS SHEET. The number of the process sheet that further describes a routing of an end item. (This field appears only if PC&C is installed and interfacing.)

TOOL. A number that identifies either a specific special tool or a list of tools needed to perform the operation. The control of a master list of special tools must be done outside of the MAPICS XA data base. (This field appears only if PC&C is installed and interfacing.)

MOVE TIME. The planned move time in days for a manufacturing operation. This value may come from the Routing file or be entered in order entry or file maintenance. It is used in the manufacturing order forward scheduling routines. (This field appears only if PC&C is installed and interfacing.)

QUEUE TIME. The planned queue time in days for a manufacturing operation. This value may come from the Work Center file or be entered in order entry or file maintenance. It is used in the manufacturing order forward scheduling routines. (This field appears only if PC&C is installed and interfacing.)

START DATE. The start date for the operation as calculated by the forward scheduling routine in PC&C, based on the order start date.

CMPLTN DATE. The scheduled completion date of a manufacturing operation. It is calculated by the PC&C forward scheduling routine. The scheduled completion date of the last operation within a manufacturing order becomes the scheduled completion date of the order. (This field appears only if PC&C is installed and interfacing.)

SETUP TIME. The amount of setup machine or setup labor time added together according to the prime load code of the operation. (This field appears only if PC&C is installed and interfacing.)

RUN TIME. The amount of run machine or run labor time added together according to the prime load code of the operation. (This field appears only if PC&C is installed and interfacing.)

OPERATION COST. The sum of the standard setup cost, run labor cost, machine cost, and overhead cost of the operation at the time of order release. (This field appears only if PC&C is installed and interfacing.)

STAT CODE. The manufacturing order status. The codes are:

- 10 Released, but no activity reported
- 40 Order started; material, outside operations, labor, machine or miscellaneous charges transaction processed
- 45 IM material receipt to stock has been reported as complete; PC&C has not reported the order as complete (outside operations, labor, machine, and miscellaneous charges)
- 50 PC&C has reported the order as complete (outside operations, labor, machine, and miscellaneous charges); IM material receipt to stock has not been reported as complete
- 55 Order complete; includes all material, outside operations, labor, machine, and miscellaneous charges
- 99 Order canceled; no activity has been reported.

MISCELLANEOUS CHARGE NUMBER. The number identifying a miscellaneous charge within a manufacturing order. (This field appears only if PC&C is installed and interfacing.)

MISCELLANEOUS DESCRIPTION. The description of an individual charge for a manufacturing order. (This field appears only if PC&C is installed and interfacing.)

UNIT/REQ QUANTITY. This quantity is used, when it is not 0 (zero), to calculate a standard (or expected) miscellaneous charge required quantity by multiplying it with the original order quantity. (This field appears only if PC&C is installed and interfacing.)

REQUIRED QUANTITY. This quantity is used as the standard (or expected) fixed miscellaneous charge quantity when it is not 0 (zero). The unit required quantity field is ignored whenever this field is not zero. (This field appears only if PC&C is installed and interfacing.)

UNIT COST. The miscellaneous charge unit cost, used to calculate the standard (or expected) miscellaneous charge cost when it is not 0 (zero). It is multiplied by the miscellaneous required quantity (unit or fixed). (This field appears only if PC&C is installed and interfacing.)

STANDARD COST. The miscellaneous charge fixed standard cost, used as the standard (or expected) fixed miscellaneous charge cost when it is not 0 (zero). The unit cost field is ignored whenever this field is not 0 (zero). (This field appears only if PC&C is installed and interfacing.)

Shop Packet Worksheet (AMI411)

GATEWAY MFG CO.		SHOP PACKET WORKSHEET				DATE **/**/**	TIME 10.59.28	PAGE 1	AMI411	
						OPER E2	PAGE IN ORDER	1		
ORDER NUMBER	ITEM NUMBER DESCRIPTION	WH REV	UM	ORDER QUANTITY	START DATE	LAST TRANS DATE	DUE DATE	UNIT COST	STANDARD COST	QTY IN SPLITS
MFG0100	19333 1 STRAWBERRY SHAMPOO TEST PARENT ITEM	ATL	SS	1,000,000.111	11/02/**	0/00/**	11/15/**	275.1800	7,154.6800	
				ADJ ORDER QTY	950,000.000					
CUSTOMER JOB NUMBER	WAREHOUSE STOCK LOC	ENGINEERING DRAWING NUMBER	MULTI-ORD REFERENCE	PLANNER	DEPARTMENT	TURNAROUND NUMBER				
01-C00000001	STKLOCA	ENG DRAW # 1234	SHPPCKTEST		DP10					

Bar Code										

MATERIAL LIST BY COMPONENT ITEM NUMBER										
COMPONENT DESCRIPTION	WH	REVISION	STOCK LOC	U/ /M	STANDARD QUANTITY	ISSUED QUANTITY	STANDARD COST	USER OPSEQ SEQ	DATE REQ OP START	F/ /S
21212	ATL		WHSLOCB	EA	1,000,000.111	3.500	5,443,161,086,430.77	0001 0010	11/02/**	C
DL-PANTHENOL										
UNALLOCATED QUANTITY: 150,000.000			LOCATION	BATCH/LOT NUMBER	FIFO DATE					

Bar Code										

GATEWAY MFG CO.		SHOP PACKET WORKSHEET				DATE **/**/**	TIME 10.59.28	PAGE 2	AMI411		
						OPER E2	PAGE IN ORDER	2			
ORDER NUMBER	ITEM NUMBER DESCRIPTION	WH REV	UM	ORDER QUANTITY	START DATE	LAST TRANS DATE	DUE DATE	UNIT COST	STANDARD COST	QTY IN SPLITS	
MFG0100	19333 TEST PARENT ITEM	ATL	EA	1,000,000.111	11/02/**	0/00/**	11/15/**	12,345,678,912.1234	80,282,493,816.0257	2,000.000 1,000.000	
				ADJ ORDER QTY	950,000.000						
CUSTOMER JOB NUMBER	WAREHOUSE STOCK LOC	ENGINEERING DRAWING NUMBER	MULTI-ORD REFERENCE	PLANNER	DEPARTMENT	TURNAROUND NUMBER					
01-C00000001	STKLOCA	ENG DRAW # 1234	SHPPCKTEST		DP10						
DETAILED OPERATIONS LIST											

Bar Code											

OPER NO	M FAC S DEPT ID	OPERATION DESCRIPTION	PROCESS SHEET TOOL	MOVE TIME	QUEUE TIME	START DATE	CPLTN DATE	SETUP TIME	RUN TIME	OPERATION COST	STAT CODE
0010	DP90 IN040	MAKE PRODUCT BASE	PA0122	.00	.000	0/00/00	0/00/00	.00	7.16 HRS	1,133.40	10

Bar Code											

MISCELLANEOUS CHARGES LIST											
MISCELLANEOUS CHARGE NUMBER	MISCELLANEOUS DESCRIPTION	UNIT/REQ QUANTITY	REQUIRED QUANTITY	UNIT COST	STANDARD COST	TURNAROUND NUMBER					
CHG1	PRINT LABELS	3.0000	75.000	.0075	.56						
CHG2	BOTTLE TREAT	.0000	2.000	.0000	10.00						

This reports prints if PM&C is installed and format 1 is selected for worksheets.

Print from option 2 on menu AMIM44 (Shop Packet Creation Menu) or option 7 from menu AMIM70 (File Maintenance Menu.) The report can show the end item ordered, its components, and (if PC&C is interfacing with IM) details about operations, such as the operations required to produce the end item and standard times. The information included depends on your answers to the install/tailor questionnaire and on the options you select when you print the report.

Fields

ORDER NUMBER. The control number identification of this manufacturing order.

ITEM NUMBER. The item number of the manufacturing order's end item. It is stored in the Manufacturing Order Master record.

DESCRIPTION. The item description of the manufacturing order's end item. It is stored in the Manufacturing Order Master record.

Note: If KBC is interfacing and this is a configured item, the configured description and option comments appear below the item description.

WH. The warehouse of the manufacturing order's end item. It is stored in the Manufacturing Order Master record.

REV (Revision). The revision identifier associated with this parent item. This field appears only if EPDM is interfacing.

UM (Unit of Measure). The unit of measure associated with this item.

ORDER QUANTITY. The quantity released to the shop floor at the first operation. (This field appears when PC&C and IM are interfacing.)

START DATE. The date when an order is to begin. The order start date can only be specified in the IM order release or Manufacture Order Master file maintenance procedures.

LAST TRANS DATE. The date of the last activity on the order. (This field appears when PC&C and IM are interfacing.)

DUE DATE. The scheduled completion date of a manufacturing order. It is calculated by the PC&C forward scheduling routine. The scheduled completion date of the last operation within a manufacturing order becomes the scheduled completion date of the order. (This field appears when PC&C and IM are interfacing.)

UNIT COST. The cost per unit of the end item to be manufactured for the order. The cost can be entered manually or calculated from receipts by average, standard, or last cost methods. If the calculated cost is 0 (zero), the unit cost (CSTPC) in the Manufacturing Order Master file is not changed by the order. (This field appears when PC&C and IM are interfacing.)

STANDARD COST. The standard order projected cost. It is the original order quantity multiplied by the standard unit order cost. The standard unit order cost is the finished item unit cost selected according to the IM application tailoring option when the order is

QTY IN SPLITS. The quantity of this order contained in split orders.

CUSTOMER JOB NUMBER. This field can be used to relate this manufacturing order to a specific customer job number.

WAREHOUSE STOCK LOC. The manufacturing order's end item stock location. It is stored in the Manufacturing Order Master record.

ENGINEERING DRAWING NUMBER. The end item's engineering drawing number. It is stored in the Manufacturing Order Master record when the shop order was created during order release.

MULTI-ORD REFERENCE. A code that can be used to group manufacturing orders for reporting purposes. Orders can be categorized for subtotals on the summary reports or selected together by this grouping in a detail reporting run. The grouping can be different from the customer job number and item number grouping, but these groupings have to be specified manually in IM order entry or Manufacture Order Master file maintenance by using the field Reference Number.

PLANNER. A code that identifies the person responsible for planning the replenishment strategy for this item.

DEPARTMENT. The department associated with this order.

TURNAROUND NUMBER. The turnaround number for this item. (This field appears when PM&C and IM are interfacing.)

COMPONENT DESCRIPTION. The description for this component item.

WH. The number of the warehouse in which this component item is located.

REVISION. The revision identifier associated with this component item. This field appears only if EPDM is interfacing.

STOCK LOC. The component item's location in the warehouse.

U/M. The units used to express the component item quantity.

STANDARD QUANTITY. The component quantity required for this order.

ISSUED QUANTITY. The component quantity issued to the order since the order was first released.

STANDARD COST. The standard unit cost multiplied by the order quantity. (This field appears when PC&C and IM are interfacing.)

USER SEQ. A number used together with the component item number to establish the sequence of the bill of material.

OPSEQ. A 4-digit field which sequences the manufacturing operations.

DATE REQ. The date the material is required for the order.

OP START. The start date for the operation as calculated by PC&C. This field appears when IM and PC&C are interfacing.

F/S (Floor Stock). The floor stock number for this item. Valid codes are:

blank This item is not floor stock.
C This item is controlled floor stock.
U This item is uncontrolled floor stock.

LOCATION. The stock location of the item, as stored in the Location Detail file. If you are using uncontrolled warehouses, no data is printed in this field.

BATCH/LOT NUMBER. The batch/lot number of each allocated and unallocated quantity. No data is printed in this field if you are using an uncontrolled warehouse.

FIFO DATE. The date the item was received in stock. No data is printed in this field if you are using an uncontrolled warehouse.

ALLOCATED or UNALLOCATED. The on hand quantity of each item needed to fill the order, listed by stock location. The number of quantities that print for each item varies depending on the option you selected from the Shop Packet display. If there are no quantities for an item, the message "none approved" is printed.

OPER NO. This field identifies the manufacturing step necessary to complete an order. The forward scheduling routine in PC&C follows the sequence of the operation within a manufacturing order to schedule the start and completion dates of each operation. In addition, an estimated completion date for the whole order is determined to be the scheduled completion date of the last operation of that order. (This field appears when PC&C and IM are interfacing.)

MS. A code that identifies the type of sub-operation the operation is, if the operation belongs to a milestone group. (This field appears when PC&C and IM are interfacing.)

First sub-operation:

B A milestone group with no activity reported
P A milestone group with activity reported
C A milestone group with activity reported complete

Not first or last sub-operation:

S A sub-operation which is between the first and last sub-operations

Last sub-operation:

J The end of a job shop milestone group
F The end of a flow shop milestone group

DEPT. The department number entered on the shop feedback document. If blank, the Payroll application defaults to the department number in the Employee Master file. (This field appears when PC&C and IM are interfacing.)

FAC ID. The planned work center where this operation is to be performed. (This field appears when PC&C and IM are interfacing.)

OPERATION DESCRIPTION. The description of that individual operation in a manufacturing order. (This field appears when PC&C and IM are interfacing.)

PROCESS SHEET. The number of the process sheet that further describes a routing of an end item. (This field appears when PC&C and IM are interfacing.)

TOOL. A number that identifies either a specific special tool or a list of tools needed to perform the operation. The control of a master list of special tools must be done outside of the MAPICS XA data base. (This field appears when PC&C and IM are interfacing.)

MOVE TIME. The planned move time in days for a manufacturing operation. This value may come from the Routing file or be entered in order entry or file maintenance. It is used in the manufacturing order forward scheduling routines. (This field appears when PC&C and IM are interfacing.)

QUEUE TIME. The planned queue time in days for a manufacturing operation. This value may come from the Work Center file or be entered in order entry or file maintenance. It is used in the manufacturing order forward scheduling routines. (This field appears when PC&C and IM are interfacing.)

START DATE. The start date for the operation as calculated by the forward scheduling routine in PC&C, based on the order start date.

CMPLTN DATE. The scheduled completion date of a manufacturing operation. It is calculated by the PC&C forward scheduling routine. The scheduled completion date of the last operation within a manufacturing order becomes the scheduled completion date of the order. (This field appears when PC&C and IM are interfacing.)

SETUP TIME. The amount of setup machine or setup labor time added together according to the prime load code of the operation. (This field appears when PC&C and IM are interfacing.)

RUN TIME. The amount of run machine or run labor time added together according to the prime load code of the operation. (This field appears when PC&C and IM are interfacing.)

OPERATION COST. The sum of the standard setup cost, run labor cost, machine cost, and overhead cost of the operation at the time of order release. (This field appears when PC&C and IM are interfacing.)

STAT CODE. The manufacturing order status. The codes are:

- 10** Released, but no activity reported
- 40** Order started; material, outside operations, labor, machine or miscellaneous charges transaction processed
- 45** IM material receipt to stock has been reported as complete; PC&C has not reported the order as complete (outside operations, labor, machine, and miscellaneous charges)
- 50** PC&C has reported the order as complete (outside operations, labor, machine, and miscellaneous charges); IM material receipt to stock has not been reported as complete
- 55** Order complete; includes all material, outside operations, labor, machine, and miscellaneous charges
- 99** Order canceled; no activity has been reported.

MISCELLANEOUS CHARGE NUMBER. The number identifying a miscellaneous charge within a manufacturing order. (This field appears when PC&C and IM are interfacing.)

MISCELLANEOUS DESCRIPTION. The description of an individual charge for a manufacturing order. (This field appears when PC&C and IM are interfacing.)

UNIT/REQ QUANTITY. This quantity is used, when it is not 0 (zero), to calculate a standard (or expected) miscellaneous charge required quantity by multiplying it with the original order quantity. (This field appears when PC&C and IM are interfacing.)

REQUIRED QUANTITY. This quantity is used as the standard (or expected) fixed miscellaneous charge quantity when it is not 0 (zero). The unit required quantity field is ignored whenever this field is not zero. (This field appears when PC&C and IM are interfacing.)

UNIT COST. The miscellaneous charge unit cost, used to calculate the standard (or expected) miscellaneous charge cost when it is not 0 (zero). It is multiplied by the miscellaneous required quantity (unit or fixed). (This field appears when PC&C and IM are interfacing.)

STANDARD COST. The miscellaneous charge fixed standard cost, used as the standard or expected) fixed miscellaneous charge cost when it is not 0 (zero). The unit cost field is ignored whenever this field is not 0 (zero). (This field appears when PC&C and IM are interfacing.)

Shop Packet Worksheet (AMI4I2)

SHOP PACKET WORKSHEET DATE 9/19/** PAGE 1 AMI4I2
 NORTH CREEK IND. TIME 16.46.42 PAGE IN ORDER 1
 ORDER ITEM NUMBER WH DESCRIPTION PLANNER TURNAROUND
 M000780 19333 ATL STRAWBERRY SHAMPOO NUMBER
 REV 12
 ORDER QTY 100.000 DEV QTY .000
 STOCK LOC A100 SPL QTY .000
 JOB NO 01-C00000001

| Bar Code |

START DATE 7/31/** DUE DATE 8/15/**

MATERIAL LIST BY COMPONENT ITEM NUMBER
 COMPONENT ITEM WH STLOC STD QTY OPSEQ DATE REQ TURNAROUND
 USEQ REV U/M F ISS QTY OP START NUMBER
 DESCRIPTION

| Bar Code |

21212 ATL WHSLOC 2000000.222 0010 11/16/**
 1001 C .000 11/16/**
 DL-PANTHENOL
 UNALLOC QTY: 2,600,000.000
 LOCATION BATCH/LOT NUMBER FIFO DATE

| Bar Code |

| Bar Code |

SHOP PACKET WORKSHEET	DATE 9/19/**	PAGE 2	AMI412
NORTHCREEK IND.	TIME 16.46.42	PAGE IN ORDER	2
ORDER ITEM NUMBER	WH DESCRIPTION	PLANNER	TURNAROUND
M000780 19333	ATL STRAWBERRY SHAMPOO		NUMBER
REV 2			
ORDER QTY	100.000	DEV QTY	.000
STOCK LOC	A100	SPL QTY	.000
JOB NO	01-C00000001		
START DATE	7/31/**	DUE DATE	8/15/**

| Bar Code |

DETAILED OPERATIONS LIST

OPNO	M	FACID	PROC	TOOL	ST	MOVE	SETUP	START	TURNAROUND
DEPT	S	DESC	SHEET			QUEUE	RUN	COMPLT	NUMBER
0010		IN040	PROCNO	DRILL	10	12.11	.00	11/07/**	
DP60		OPERATION	DESC #	222		1.50	21,370.30	0/00/**	

| Bar Code |

MISCELLANEOUS CHARGES LIST

MISC CHARGE	DESCRIPTION	QTY PER UNIT	TOTAL QTY	TURNAROUND
				NUMBER
CHG1		1,234,567.1234	9,000,000.111	

| Bar Code |

PRINT LABELS

To print this report, use option 7 on the File Maintenance menu (AMIM70) or option 2 on the Shop Packet menu (AMIM44.)

This report prints if PM&C is installed and report format 2 is selected for worksheets.

Fields

ORDER. The control number identification of this manufacturing order.

ITEM NUMBER. The item number of the manufacturing order's end item. It is stored in the Manufacturing Order Master record.

WH. The warehouse of the manufacturing order's end item. It is stored in the Manufacturing Order Master record.

DESCRIPTION. The item description of the manufacturing order's end item. It is stored in the Manufacturing Order Master record.

Note: If KBC is interfacing and this is a configured item, the configured description and option comments appear below the item description.

PLANNER. A code that identifies the person responsible for planning the replenishment strategy for this item.

TURNAROUND NUMBER. The turnaround number for the item. (This field appears when PM&C and IM are interfacing.)

REV (REVISION). The revision identifier associated with the parent item. (This field appears only if EPDM is interfacing.)

ORDER QTY. The quantity released to the shop floor at the first operation. (This field appears when PC&C and IM are interfacing.)

DEV QTY. The quantity by which the original order quantity has been changed.

STOCK LOC. The manufacturing order's end item stock location. It is stored in the Manufacturing Order Master record.

SPL QTY. The quantity of this order contained in split orders.

JOB NO. This field can be used to relate this manufacturing order to a specific customer job number.

START DATE. The scheduled start date of a manufacturing order. The order start date can only be specified in the IM order release or Manufacture Order Master file maintenance procedures.

DUE DATE. The scheduled completion date of a manufacturing order. This is calculated by the PC&C forward scheduling routing. The scheduled completion date of the last operation within a manufacturing order becomes the scheduled completion date of the order. (This field appears when PC&C and IM are interfacing.)

COMPONENT ITEM DESCRIPTION. The description for this component item.

WH. The number of the warehouse in which this component item is located.

STLOC. The component item's location in the warehouse.

F. The floor stock number for this item. Valid codes are:

blank This item is not floor stock.

C This item is controlled floor stock.

U This item is uncontrolled floor stock.

STD QTY. The component quantity required for this order.

ISS QTY. The component quantity issued to the order since the order was first released.

OPSEQ. A 4-digit field which sequences the manufacturing operations.

DATE REQ. The date the material is required for the order.

OP START. The start date for the operation as calculated by PC&C. The field appears when IM and PC&C are interfacing.

TURNAROUND NUMBER. The turnaround number for this item. (This field is printed when PM&C and IM are interfacing.)

REV (REVISION). The revision identifier associated with the parent item. (This field appears only if EPDM is interfacing.)

UNALLOC QTY. Identifies the quantity of the item available for use in a batch or location.

LOCATION. The stock location of the item, as stored in the Location Detail file. If you are using uncontrolled warehouses, no data is printed in this field.

BATCH/LOT NUMBER. The batch/lot number of each allocated and unallocated quantity. No data is printed in this field if you are using an uncontrolled warehouse.

FIFO DATE. The date the item was received in stock. No data is printed in this field if you are using an uncontrolled warehouse.

OPNO. This field identifies the manufacturing step necessary to complete an order. The forward scheduling routine in PC&C follows the sequence of the operation within a manufacturing order to schedule the start and completion dates of each operation. In addition, an estimated completion date for the whole order is determined to be the scheduled completion date of the last operation of that order. (This field appears when PC&C and IM are interfacing.)

DEPT. The department number entered on the shop feedback document. If blank, the Payroll application defaults to the department number in the Employee Master file. (This field appears when PC&C and IM are interfacing.)

MS. A code that identifies the type of sub-operation the operation is, if the operation belongs to a milestone group. (This field appears when PC&C and IM are interfacing.)

First sub-operation:

- B** A milestone group with no activity reported
- P** A milestone group with activity reported
- C** A milestone group with activity reported complete

Not first or last sub-operation:

- S** A sub-operation between the first and last sub-operations

Last sub-operation:

- J** The end of a job shop milestone group
- F** The end of a flow shop milestone group

FAC ID. The planned work center where this operation is to be performed. (This field appears when PC&C and IM are interfacing.)

DESC. The description of that individual operation in a manufacturing order. (This field appears when PC&C and IM are interfacing.)

PROC SHEET. The number of the process sheet that further describes a routing of an end item. (This field appears when PC&C and IM are interfacing.)

TOOL. A number that identifies either a specific special tool or a list of tools needed to perform the operation. The control of a master list of special tools must be done outside of the MAPICS XA data base. (This field appears when PC&C and IM are interfacing.)

ST. The operation status code for the operation detail record.

MOVE. The planned move time in days for a manufacturing operation. This value may come from the Routing file or be entered in order entry or file maintenance. It is used in the manufacturing order forward scheduling routines. (This field appears when PC&C and IM are interfacing.)

QUEUE. The planned queue time in days for a manufacturing operation. This value may come from the Work Center file or be entered in order entry or file maintenance. It is used in the manufacturing order forward scheduling routines. (This field appears when PC&C and IM are interfacing.)

SETUP. The amount of setup machine or setup labor time added together according to the prime load code of the operation. (This field appears when PC&C and IM are interfacing.)

RUN. The amount of run machine or run labor time added together according to the prime load code of the operation. (This field appears when PC&C and IM are interfacing.)

START. The start date for the operation as calculated by the forward scheduling routine in PC&C, based on the order start date/ .

COMPLT. The scheduled completion date of a manufacturing operation. It is calculated by the PC&C forward scheduling routine. The scheduled completion date of the last operation within a manufacturing order becomes the scheduled completion date of the order. (This field appears when PC&C and IM are interfacing.)

MISCELLANEOUS CHARGE. The number identifying a miscellaneous charge within a manufacturing order. (This field appears when PC&C and IM are interfacing.)

DESCRIPTION. The description of an individual charge for a manufacturing order. (This field appears when PC&C and IM are interfacing.)

QTY PER UNIT. The quantity of a miscellaneous charge item required for each unit of the order quantity.

TOTAL QTY. The total quantity of the miscellaneous charge item required for this order. It is the result of multiplying the quantity per unit by the order quantity.

Shop Packet Worksheet (AMI4I3)

GATEWAY MFG CO.		SHOP PACKET WORKSHEET				DATE 11/08/**	TIME 10.59.28	PAGE 1	AMI4I3				
ORDER NUMBER	ITEM NUMBER	WH	REV	UM	ORDER QUANTITY	START DATE	LAST TRANS DATE	DUE DATE	UNIT COST	OPER E2	PAGE IN ORDER	1	QTY IN SPLITS
MFG0100	19333	ATL			1,000,000.111	11/02/**	0/00/**	11/15/**	12,345,678,912.1234		80,282,493,816.0257		2,000.000
1 STRAWBERRY SHAMPOO													
ADJ ORDER QTY 950,000.000													
CUSTOMER JOB NUMBER	WAREHOUSE STOCK LOC	ENGINEERING DRAWING NUMBER	MULTI-ORD REFERENCE		PLANNER	DEPARTMENT							
01-C00000001	04526	PK001150	MBJ5			DP10							
MATERIAL LIST BY COMPONENT ITEM NUMBER													
COMPONENT DESCRIPTION	WH	REVISION	STOCK LOC	U/ /M	STANDARD QUANTITY	ISSUED QUANTITY	STANDARD COST	USER SEQ	OPER LOCATION	DATE REQ BATCH/LOT	FIFO	DATE	
21212 DL-PANTHENOL	ATL		WHSLOCB	EA	1,000,000.111	3.500	5,443,161,086,430.77	0001	0010	11/02/**	CTL	FL	
							UNALLOCATED QTY	150,000.000	A101111				
							UNALLOCATED QTY	254,000.000	A101112				
							UNALLOCATED QTY	2,147,000.000	A101113				

GATEWAY MFG CO.		SHOP PACKET WORKSHEET				DATE 11/08/**	TIME 10.59.28	PAGE 2	AMI4I3				
ORDER NUMBER	ITEM NUMBER	WH	REV	UM	ORDER QUANTITY	START DATE	LAST TRANS DATE	DUE DATE	UNIT COST	STANDARD COST	QTY IN SPLITS		
MFG0100	19333	ATL			1,000,000.111	11/02/**	0/00/**	11/15/**	12,345,678,912.1234	80,282,493,816.0257	2,000.000		
1 STRAWBERRY SHAMPOO													
ADJ ORDER QTY 950,000.000													
CUSTOMER JOB NUMBER	WAREHOUSE STOCK LOC	ENGINEERING DRAWING NUMBER	MULTI-ORD REFERENCE		PLANNER	DEPARTMENT							
01-C00000001	04526	PK001150	MBJ5										
DETAILED OPERATIONS LIST													
OPER M NO	FAC S	OPERATION DEPT ID	DESCRIPTION	PROCESS SHEET	TOOL	MOVE TIME	QUEUE TIME	START DATE	CMPLTN DATE	SETUP TIME	RUN TIME	OPERATION COST	STAT CODE
0010	DP90	FLC01	MAKE PRODUCT	BASE	PA0122	.00	.00	0/00/00	0/00/00	.00	7.16HRS	1,133.40	10
100 ADD INGREDIENTS													
200 MIX 10 MINUTES													
0020			MIX HEAT TO 150 DEGREES			.00	.00	0/00/00	1/01/**	.00	14.32HRS	1,646.80	10
0030			MIX COOL TO 120 DEGREES			.00	.00	1/01/**	1/01/**	.00	3.40HRS	391.00	10
MISCELLANEOUS CHARGES LIST													
MISCELLANEOUS CHARGE NUMBER	MISCELLANEOUS DESCRIPTION		UNIT/REQ QUANTITY	REQUIRED QUANTITY	UNIT COST	STANDARD COST							
CHG1	PRINT LABELS		3.0000	75.000	.0075	.56							
CHG2	BOTTLE TREAT		.0000	2.000	.0000	10.00							

This reports prints if PM&C is not installed.

Print from option 2 on the Shop Packet Creation menu (AMIM44) or option 7 on the File Maintenance menu (AMIM70.) The report can show the end item ordered, its components, and (if PC&C is interfacing with IM) details about operations, such as the operations required to produce the end item and standard times. The information included depends on your answers to the Install/Tailor Questionnaire and on the options you select when you print the report.

Fields

ORDER NUMBER. The control number identification of this manufacturing order.

ITEM NUMBER. The item number of the manufacturing order's end item. It is stored in the Manufacturing Order Master record.

DESCRIPTION. The item description of the manufacturing order's end item. It is stored in the Manufacturing Order Master record.

Note: If KBC is interfacing and this is a configured item, the configured description and option comments appear below the item description.

WH. The warehouse of the manufacturing order's end item. It is stored in the Manufacturing Order Master record.

REV (Revision). The revision identifier associated with this parent item. This field appears only if EPDM is interfacing.

ORDER QUANTITY. The quantity released to the shop floor at the first operation. (This field appears only if PC&C is installed and interfacing.)

START DATE. The date when an order is to begin. The order start date can only be specified in the IM order release or Manufacture Order Master file maintenance procedures.

LAST TRANS DATE. The date of the last activity on the order. (This field appears only if PC&C is installed and interfacing.)

DUE DATE. The scheduled completion date of a manufacturing order. It is calculated by the PC&C forward scheduling routine. The scheduled completion date of the last operation within a manufacturing order becomes the scheduled completion date of the order. (This field appears only if PC&C is installed and interfacing.)

UNIT COST. The cost per unit of the end item to be manufactured for the order. The cost can be entered manually or calculated from receipts by average, standard, or last cost methods. If the calculated cost is 0 (zero), the unit cost (CSTPC) in the Manufacturing Order Master file is not changed by the order. (This field appears only if PC&C is installed and interfacing.)

STANDARD COST. The standard order projected cost. It is the original order quantity multiplied by the standard unit order cost. The standard unit order cost is the finished item unit cost selected according to the IM application tailoring option when the order is

QTY IN SPLITS. The quantity of this order contained in split orders.

CUSTOMER JOB NUMBER. This field can be used to relate this manufacturing order to a specific customer job number.

WAREHOUSE STOCK LOC. The manufacturing order's end item stock location. It is stored in the Manufacturing Order Master record.

ENGINEERING DRAWING NUMBER. The end item's engineering drawing number. It is stored in the Manufacturing Order Master record when the shop order was created during order release.

MULTI-ORD REFERENCE. A code that can be used to group manufacturing orders for reporting purposes. Orders can be categorized for subtotals on the summary reports or selected together by this grouping in a detail reporting run. The grouping can be different from the customer job number and item number grouping, but these groupings have to be specified manually in IM order entry or Manufacture Order Master file maintenance by using the field Reference Number.

PLANNER. A code that identifies the person responsible for planning the replenishment strategy for this item.

DEPARTMENT. The department associated with this order.

COMPONENT DESCRIPTION. The description for this component item.

WH. The number of the warehouse in which this component item is located.

REVISION. The revision identifier associated with this component item. This field appears only if EPDM is interfacing.

STOCK LOC. The component item's location in the warehouse.

U/M. The units used to express the component item quantity.

STANDARD QUANTITY. The component quantity required for this order.

ISSUED QUANTITY. The component quantity issued to the order since the order was first released.

STANDARD COST. The standard unit cost multiplied by the order quantity. (This field appears only if PC&C is installed and interfacing.)

USER SEQ. A number used together with the component item number to establish the sequence of the bill of material.

OPER LOCATION. A field that sequences the manufacturing operations.

DATE REQ. The date the material is required for the order.

BATCH/LOT. The batch and lot number for the item.

FIFO DATE. The date the item was received in stock. No data is printed in this field if you are using an uncontrolled warehouse.

OPER NO. This field identifies the manufacturing step necessary to complete an order. The forward scheduling routine in PC&C follows the sequence of the operation within a manufacturing order to schedule the start and completion dates of each operation. In addition, an estimated completion date for the whole order is determined to be the scheduled completion date of the last operation of that order. (This field appears only if PC&C is installed and interfacing.)

MS. A code that identifies the type of sub-operation the operation is, if the operation belongs to a milestone group. (This field appears only if PC&C is installed and interfacing.)

First sub-operation:

- B** A milestone group with no activity reported
- P** A milestone group with activity reported
- C** A milestone group with activity reported complete

Not first or last sub-operation:

- S** A sub-operation which is between the first and last sub-operations

Last sub-operation:

- J** The end of a job shop milestone group
- F** The end of a flow shop milestone group

DEPT. The department number entered on the shop feedback document. If blank, the Payroll application defaults to the department number in the Employee Master file. (This field appears only if PC&C is installed and interfacing.)

FAC ID. The planned work center where this operation is to be performed. (This field appears only if PC&C is installed and interfacing.)

OPERATION DESCRIPTION. The description of that individual operation in a manufacturing order. (This field appears only if PC&C is installed and interfacing.)

PROCESS SHEET. The number of the process sheet that further describes a routing of an end item. (This field appears only if PC&C is installed and interfacing.)

TOOL. A number that identifies either a specific special tool or a list of tools needed to perform the operation. The control of a master list of special tools must be done outside of the MAPICS XA data base. (This field appears only if PC&C is installed and interfacing.)

MOVE TIME. The planned move time in days for a manufacturing operation. This value may come from the Routing file or be entered in order entry or file maintenance. It is used in the manufacturing order forward scheduling routines. (This field appears only if PC&C is installed and interfacing.)

QUEUE TIME. The planned queue time in days for a manufacturing operation. This value may come from the Work Center file or be entered in order entry or file maintenance. It is used in the manufacturing order forward scheduling routines. (This field appears only if PC&C is installed and interfacing.)

START DATE. The start date for the operation as calculated by the forward scheduling routine in PC&C, based on the order start date.

CMPLTN DATE. The scheduled completion date of a manufacturing operation. It is calculated by the PC&C forward scheduling routine. The scheduled completion date of the last operation within a manufacturing order becomes the scheduled completion date of the order. (This field appears only if PC&C is installed and interfacing.)

SETUP TIME. The amount of setup machine or setup labor time added together according to the prime load code of the operation. (This field appears only if PC&C is installed and interfacing.)

RUN TIME. The amount of run machine or run labor time added together according to the prime load code of the operation. (This field appears only if PC&C is installed and interfacing.)

OPERATION COST. The sum of the standard setup cost, run labor cost, machine cost, and overhead cost of the operation at the time of order release. (This field appears only if PC&C is installed and interfacing.)

STAT CODE. The manufacturing order status. The codes are:

- 10** Released, but no activity reported
- 40** Order started; material, outside operations, labor, machine or miscellaneous charges transaction processed
- 45** IM material receipt to stock has been reported as complete; PC&C has not reported the order as complete (outside operations, labor, machine, and miscellaneous charges)
- 50** PC&C has reported the order as complete (outside operations, labor, machine, and miscellaneous charges); IM material receipt to stock has not been reported as complete
- 55** Order complete; includes all material, outside operations, labor, machine, and miscellaneous charges
- 99** Order canceled; no activity has been reported.

MISCELLANEOUS CHARGE NUMBER. The number identifying a miscellaneous charge within a manufacturing order. (This field appears only if PC&C is installed and interfacing.)

MISCELLANEOUS DESCRIPTION. The description of an individual charge for a manufacturing order. (This field appears only if PC&C is installed and interfacing.)

UNIT/REQ QUANTITY. This quantity is used, when it is not 0 (zero), to calculate a standard (or expected) miscellaneous charge required quantity by multiplying it with the original order quantity. (This field appears only if PC&C is installed and interfacing.)

REQUIRED QUANTITY. This quantity is used as the standard (or expected) fixed miscellaneous charge quantity when it is not 0 (zero). The unit required quantity field is ignored whenever this field is not zero. (This field appears only if PC&C is installed and interfacing.)

UNIT COST. The miscellaneous charge unit cost, used to calculate the standard (or expected) miscellaneous charge cost when it is not 0 (zero). It is multiplied by the miscellaneous required quantity (unit or fixed). (This field appears only if PC&C is installed and interfacing.)

STANDARD COST. The miscellaneous charge fixed standard cost, used as the standard (or expected) fixed miscellaneous charge cost when it is not 0 (zero). The unit cost field is ignored whenever this field is not 0 (zero). (This field appears only if PC&C is installed and interfacing.)

Temporary General Ledger Listing (AMV61)

WILDWOOD IND. NO. 01		TEMPORARY GENERAL LEDGER LISTING				RUN DATE 01/05/**		TIME 14.37.26	PAGE 1	AMV61
		PRINT OPTION				ENTRY PERIOD 12				
GENERAL LEDGER NUMBER	JOURNAL REFERENCE NUMBER	CHECK NUMBER	ORDER NUMBER	TRANSACTION SOURCE	TRANSACTION DESCRIPTION	ENTRY PERIOD	DEBIT AMOUNT	CREDIT AMOUNT		
1050	CD00001-00002	120		ABLE MFG.	AP CHECK TOTAL	12		114.00		
1050	CD00002-00002	123		ALPHA CORP	AP CHECK TOTAL	12		20,158.89		
1050	CD00002-00005	125		FULTON CO	AP CHECK TOTAL	12		16,955.00		
1050	CD00002-00007	121	P489213	J & P CO	AP CHECK TOTAL	12		2,830.30		
1050	CD00002-00010	121		J & P CO	AP CHECK TOTAL	12		5,660.60		
1050	CD00002-00012	122		ZEBCOR INC	AP CHECK TOTAL	12		1,071.25		
1050	CD00003-00002	126		PARAMUS WH	AP CHECK TOTAL	12		103.00		
1050	CD00003-00004	127	P333721	ALLRIGHT P	AP CHECK TOTAL	12		190.00		
1050	CD00004-00001	129		JOHNSON/CA	001-1-000129	12		54.00		
* ACCOUNT TOTALS								47,137.04		

WILDWOOD IND. NO. 01		TEMPORARY GENERAL LEDGER LISTING				RUN DATE 01/05/**		TIME 14.37.26	PAGE 2	AMV61
		PRINT OPTION				ENTRY PERIOD 12				
GENERAL LEDGER NUMBER	JOURNAL REFERENCE NUMBER	CHECK NUMBER	ORDER NUMBER	TRANSACTION SOURCE	TRANSACTION DESCRIPTION	ENTRY PERIOD	DEBIT AMOUNT	CREDIT AMOUNT		
2000	CD00001-00001	120		ABLE MFG.	NUTS/BOLTS	12	142.50			
2000	CD00002-00001	123		ALPHA CO	RM CYLINDERS	12	20,782.35			
2000	CD00002-00004	125		FULTON CO	STEEL/IRON	12	16,955.00			
2000	CD00002-00006	121		J & P CO	PLATES/BACKET	12	3,437.50			
2000	CD00002-00009	122		J & P CO	35 MM CAMERA	12	200.00			
2000	CD00002-00011	126		ZEBCOR INC	RUBBER/TIRES	12	1,200.00			
2000	CD00004-00002	129		JOHNSON/AP	001-1-FLOWERS	12	54.00			
* ACCOUNT TOTALS								42,771.35		
** COMPANY TOTALS								94,373.84		94,373.84

*** SUMMARY ***		TEMPORARY GENERAL LEDGER LISTING				RUN DATE 01/05/**		TIME 14.37.26	PAGE 3	AMV61
						ENTRY PERIOD 12				
								DEBIT AMOUNT	CREDIT AMOUNT	
				**** FINAL TOTALS				94,373.84	94,373.84	
TOTAL RECORDS IN FILE		63								
TOTAL RECORDS PROCESSED		18								
TOTAL RECORDS REMAINING		0								

This report prints when you select various options in IM, AP, AR, Payroll, and Purchasing on the General Ledger Management menu. It is not available if IFM is installed and interfacing. You can use this report to make journal entries if the General Ledger application is not installed and interfacing. The system draws information for this report from the Temporary General Ledger file.

Fields

REPORT TYPE. There are two listing options for this report.

- Print ***** Temporary General Ledger transactions (depending on the application you are in)
- Print and clear if your application is not interfacing with the General Ledger application. Prints transactions and removes them from the Temporary General Ledger file.

GENERAL LEDGER NUMBER. The general ledger account to which these amounts will be applied.

JOURNAL REFERENCE NUMBER. The journals that accounted for these transactions. These numbers were automatically assigned by your application in the Purchase Invoice Journal Listing, or the Cash Disbursements Journal. The prefixes to these numbers vary depending on the application printing this report.

CHECK NUMBER. The check number associated with the journal reference number for the transaction. This field appears only if you are using the Accounts Payable, Purchasing, or Accounts Receivable applications.

ORDER NUMBER. The order number for the transaction.

TRANSACTION SOURCE. The name of the company associated with the transaction.

TRANSACTION DESCRIPTION. The description of the general ledger transaction.

ENTRY PERIOD. The entry date or period that the amounts were applied to this general ledger account.

DEBIT AMOUNT. The debit amount associated with the Journal Reference Number in the Temporary General Ledger file.

CREDIT AMOUNT. The credit amount associated with the Journal Reference Number in the Temporary General Ledger file.

ACCOUNT TOTALS. The account totals for the debit and credit amounts for all general ledger transactions for this accounting period.

COMPANY TOTALS. The company totals for the debit and credit amounts for all general ledger transactions for this accounting period.

FINAL TOTALS. The final totals for this report.

TOTAL RECORDS IN FILE: The total number of records in the Temporary General Ledger file.

TOTAL RECORDS PROCESSED: The total number of records processed for this accounting period.

TOTAL RECORDS REMAINING: The total number of remaining checks for this accounting period.

Transaction Analysis—Detail (AMICU2)

GATEWAY MFG CO		TRANSACTION ANALYSIS - DETAIL					DATE 8/10/**	TIME 16.00.16	PAGE 1	AMICU2
		FROM BEGINNING TO END					OPER #2			
		WAREHOUSE ATL								
		IP TRANSACTIONS								
TRANS DATE	ITEM	W/H	STK LOC/ NEW LOC	ORDER/ SCHEDULE	BATCH/LOT OPERATION	U/M	QUANTITY	EXTENDED	AVG COST	REVALUE
						DUE DATE	TRANSACTION COST	MATCHED QTY		
05/23/**	200226	ATL	D1JJ8J2	01-C00000001	BL401	MBJ5	CS	50.000	15.0000	
			D1JJ8J4		0010		11/26/**	10.0000		8.0000
05/23/**	200226	ATL	D1JJ8J2	01-C00000001	BL401		CS	50.000	15.0000	
			D1JJ8J4		0020		11/26/**			8.0000
05/23/**	200209	ATL	B1J8L		BL400		EA	50.000	10.0000	150.0000
								62.5000		87.5000
05/23/**	200209	ATL	BBBBBB		BL305		EA	25.000	75.0000	43.7500
								31.2500		
05/23/**	200207	ATL	A1AA2W		BL125		EA	10.000	12.6000	.0000
								12.6000		
								00/00/00		
								00/00/00		
								00/00/00		
TOTAL IP TRANSACTIONS								126.3500		147.2500
									267.6000	

To print this report, use option 2 on the Transaction History menu (AMIM80).

This report shows detail information, including the standard, average, or last cost value of each transaction entered between the date limits and for the warehouse you specify. The report groups the transactions by transaction type. It includes all types of transactions.

This report is scheduled for printing when you select one of three cost options and the Detail report type from the Transaction Analysis (Select) display, AMI2U3.

If you selected dates for the report on display AMI2U3, they appear on the header. If you did not specify dates, BEGINNING and END appear.

A line in the header reflects the warehouse code you typed on the Select display (AMI2U1). If no code was entered, ALL appears.

Another line in the header indicates ** TRANSACTIONS: the code of the transaction type to be listed in detail. For a list of the transaction types, see Chapter 10, "Transaction History".

Fields

TRANS DATE. The date the transaction was posted.

ITEM. The number of the item affected by the transaction.

WH. The warehouse for the item quantity used in the transaction.

STK LOC. The location code for the item quantity used in the transaction.

NEW LOC. The store destination for the item quantity used in the transaction.

Note: This line only appears if REP is installed and interfacing.

ORDER/SCHEDULE. The order number identifying customer, purchase, manufacturing, or schedule number, if REP is installed and interfacing.

BATCH/LOT. The number of the batch or lot used in the transaction.

OPERATION. The operation sequence number for this transaction.

REFERENCE. A user-defined reference code or information entered with the transaction.

U/M. The receiving unit of measure.

QUANTITY. The item quantity affected by the transaction.

DUE DATE. The manufacturing schedule due date.

Note: This line only appears if REP is installed and interfacing.

TRANSACTION COST. The value of the listed transaction. This field prints for all transaction types except the following: CL, CN, CQ, DA, LA, LQ, MI, MR, OP, PB, PC, PS, RD, RI, RL, RO, SC, SM, SP, SQ, TW, and VA.

EXTENDED AVG COST. The average cost multiplied by the quantity. This field prints for all transaction types except the following: CL, CN, CQ, DA, LA, LQ, MI, MR, OP, PB, PC, PS, RD, RI, RL, RO, SC, SM, SP, SQ, TW, and VA.

REVALUE. The difference between the Transaction Cost and the Extended Standard/Last/Average Cost for the transaction. This field prints for all transaction types except the following: CL, CN, CQ, DA, LA, LQ, MI, MR, OP, PB, PC, PS, RD, RI, RL, RO, SC, SM, SP, SQ, TW, and VA.

GRN. The goods received note number.

MATCHED QTY. The quantity of this receipt transaction that has been matched to an IFM invoice. This field appears only if IFM is interfacing and only for purchase receipt transactions (RD, RI, RP, VR, PQ).

TOTAL ** TRANSACTIONS. The totals of all columns for the listed type of transaction. The ** is replaced by the Transaction ID for each section.

Transaction Analysis—Summary (AMICU1)

GATEWAY MFG CO	TRANSACTION ANALYSIS - SUMMARY FROM BEGINNING TO END	DATE 8/10/**	TIME 16.00.16	PAGE 1	AMICU1
WAREHOUSE ATL					
	TRANS	TRANS COST	STANDARD COST	REVALUE	
	MQ	.0000	.0000	.0000	
	PQ	.0000	.0000	.0000	
	RC	39.8900	280.0000	240.1100	
	RM	.0000	.0000	.0000	
	RP	36.3000	300.0000	263.7000	
	RS	11.5600	800.0000	788.4400	
	RW	.0000	.0000	.0000	
	RECEIPT TOTAL	87.7500	1,380.0000	1,292.2500	
	IP	.0000	.0000	.0000	
	IS	.0000	.0000	.0000	
	IU	.0000	.0000	.0000	
	IW	.0000	30.0000	30.0000	
	IX	.0000	.0000	.0000	
	RQ	.0000	.0000	.0000	
	SA	.0000	.0000	.0000	
	SS	.0000	35.0000	35.0000	
	VR	.0000	.0000	.0000	
	ISSUE TOTAL	.0000	65.0000	65.0000	
	CA	.0000	.0000	.0000	
	CR	.0000	.0000	.0000	
	CS	.0000	.0000	.0000	
	CU	.0000	.0000	.0000	
	IA	.0000	.0000	.0000	
	PH	.0000	.0000	.0000	
	ADJUST. TOTAL	.0000	.0000	.0000	
	NET	87.7500	1,315.0000	1,227.2500	

INVENTORY SUMMARY					

OPENING BALANCE	NET MOVEMENTS TRANSACTION COST	TRANSACTION COST CLOSING BALANCE	NET MOVEMENTS STANDARD COST	STANDARD COST CLOSING BALANCE	
.00	87.7500	87.75	1,315.0000	1,315.00	
** END OF PRINT **					

To print this report, use option 2 on the Transaction History menu (AMIM80). This report shows receipt, issue, and adjustment transactions. It shows the standard, last, or average cost value of all transactions entered between the date limits and for the warehouse you specify.

This report is scheduled for printing when you select one of three cost options and the summary report option from the Transaction Analysis (Select) display, AMI2U3.

If you selected dates for the report on display AMI2U3, they appear in the header. If you did not specify dates, BEGINNING and END appear.

A line in the header reflects the warehouse code you typed on the Select display (AMI2U3). If no code was entered, ALL appears.

Fields

FROM/TO. The dates you typed in on the Select display (AMI2U3). If you did not type in any dates, BEGINNING and END are printed.

WAREHOUSE. The warehouse code you typed in on the Select display (AMI2U3). If you did not type in a code, ALL is printed.

TRANS. This field identifies the type of transaction. The transactions are grouped as receipt, issue, and adjustment transactions.

TRANS COST. The value of the listed transaction.

STANDARD COST. The item's cost as stored in the Item Balance file. If that value is 0 (zero), the Unit Cost Default from the Item Master file A-record is used. This field may be labeled Average or Last, depending on which option you chose on the Select display.

REVALUE. The difference between the standard/last/average cost and the transaction cost.

RECEIPT TOTAL. The receipt transactions are:

MQ (Manufactured Item QC Complete). Used to report QC check complete for manufactured items.

PQ (Purchase Item QC Complete). Used to report QC check complete for purchase items.

RC (Miscellaneous Receipt). Used to report receipts for items that do not have open orders.

RM (Production Receipt). Used to report an item receipt from production.

RP (Purchase Receipt to Stock). Used to report receipt of purchased items to stock.

RS (Component Return to Stock). Used to report the return of a previously issued component item to stock.

RW (Interwarehouse Receipt). Used to report receipts from other warehouses.

ISSUE TOTAL. The issue transactions are:

IP (Planned Issue). Used to report individual component issues to manufacturing orders.

IS (Miscellaneous Issue). Used to report issues that are not charged to customer or manufacturing orders.

IU (Unplanned Component Issue). Used to add a component to a manufacturing order and create an issue transaction.

IW (Interwarehouse Issue). Used to report issues to another warehouse.

IX (Uncontrolled floor stock). Used to report the standard cost adjustment.

RQ (Reject Item QC Complete). Used to report QC check complete for rejected items.

SA (Sales Shipment). Used to report sales shipments.

SS (Scrap from Stock). Used to report items that have been scrapped from stock.

VR (Return to Vendor). Used by Purchasing, if installed, to report stock returned to the vendor.

ADJUST. TOTAL. The adjustment transactions are:

CA (Cost Adjustment). Used to recalculate the average unit cost and to replace the last unit cost of an item.

CR (Average Cost Replacement). Used to change the average unit cost of an item.

CS (Standard Cost Replacement). Used to change the standard unit cost of an item.

CU (Standard unit cost default replacement). Used to report uncontrolled floor stock issues.

IA (Inventory Adjustment). Used to adjust the on hand balance of an item.

PH (Physical Inventory Adjustment). Used to adjust the on hand balance in the Item Balance and Location Quantity records, based on the actual physical count that was determined to be correct.

NET. The net values of the Cost and Revalue columns. The net value is calculated as follows:

Net value = Receipt Total - Issue Total + Adjustment Total

Note: The Adjustment Total may be a negative value.

OPENING BALANCE. The starting inventory value you typed in on the Select display (AMI2U3). If you did not type in a value, 0 (zero) is used.

NET MOVEMENTS TRANSACTION COST. The total value of the Transaction Cost column.

TRANSACTION COST CLOSING BALANCE. The sum (or difference) of the Opening Balance and the Net Movements Transaction Cost fields.

NET MOVEMENTS STANDARD, LAST, or AVERAGE COST. The total value of the Standard/Last/Average Cost column.

STANDARD COST CLOSING BALANCE. The sum (or difference) of the Opening Balance and the Net Movements Standard/Last/Average Cost fields.

Transaction History—Multiple Items (AMI2Z3)

NORTHCREEK IND TRANSACTION HISTORY - REPORT OPTIONS MULTIPLE ITEMS DATE 10/02/** TIME 17.06.03 PAGE 1 AMI2Z3
OPER

```

SEQUENCE          ITEM
PAGE FORMAT      MULTIPLE ITEMS PER PAGE
DATE SEQUENCE     ASCENDING
RESTORED TRANSACTIONS INCLUDED
RESTORED TRANSACTIONS EXCLUDED

WAREHOUSE        FROM-BEGINNING   TO-END
ITEM NUMBER      FROM-BEGINNING   TO-END
TRANSACTION DATE FROM-BEGINNING   TO-END
ORDER NUMBER     FROM-BEGINNING   TO-END
TRANSACTION TYPE FROM-BEGINNING   TO-END
  
```

NORTHCREEK IND. TRANSACTION HISTORY MULTIPLE ITEMS DATE 10/02/
** TIME 17.06.12 PAGE 2 AMI2Z3 OPER

ITEM NUMBER NUMBER	WH HOURS	STK CREW	LOC/ NEW LOC	BATCH/LOT SCHED STAT	CDE	QUANTITY	U/M	TRANSACTION AMOUNT	POSTING DATE	ORDER/ DUE DATE	CMP CD	USER OPER	RS S-	OH S-	QT/ S-	CLK	TM-CO/ORG
AIRFILTER	ATL				IP	20.000	EA		8/15/**			0000		60.000			USA
MRO	WORK	ORDER-TASK		123456-12	COST CODE:	TOTSTR		5,144.000		M003600							
				10						10/02/**							
AIRKIT	ATL				IP	40.000	EA		8/15/**			0000		100.000			USA
				10				10,280.000		M003530							
AIRKIT	ATL				IP	20.000	EA		8/15/**			0000		120.000			
				20				5,144.000		M003540							
AIRKIT	ATL				RM	250.000	EA		8/15/**			0000		130.000			
				10				64,300.000		M003640							
AIRKIT	ATL				RM	.000	EA		8/15/**			C 0000		130.000			
				30				.000		M003640							
AIRKIT	ATL				IP	20.000	EA		8/15/**			0000		20.000			
				20				5,144.000		M003580							
AIRKIT	ATL				IP	20.000	EA		8/15/**			0010		40.000			
				20				5,144.000		M003590							
AIRKIT	ATL				IP	20.000	EA		9/16/**			0010		10.000			
				40				5,144.000		M003600							
AIRKIT	ATL				SA	150.000	EA		9/19/**					40.000			
				10				38,580.000		01-C00000338							
AIRKIT	ATL				CA	100.000	EA		1/10/**					.000			
				55				1.000		8/08/**							
AIRKIT2	ATL				RP	50.000	EA		11/10/**			0000		165.000			
								50.0000 +		PGML002							
				10	MATCHED QTY			50.0000		8/24/**							

To print this report, use option 2 on the Transaction History menu (AMIM80).

This report is scheduled for printing when you select option 1 on the Transaction History Report Selection (Select) panel (AMI2U1) and select page format 1 (Multiple Items per Page) on the Transaction History Report Options panel, AMI2U2.

The report prints transaction history by item number, warehouse, and date. The order of the transaction records depends on the sequences you specify on panel AMI2U2.

This report also prints if you select the print option when purging transactions (Transaction History Purge Options panel, AMI2X1).

When you print the report as part of a purge activity, you can specify ascending or descending date order. The transactions print by item within warehouse, starting with the alphabetic warehouse identifiers. This report is preceded by report AMI2W1, which summarizes the options you used for the purge activity.

The report prints in two parts. The first page summarizes the limits you selected for the report. The second and following pages print the transactions and reference information.

Fields

SEQUENCE. The major sorting sequence for transactions in this report can be by:

Item By warehouse, posting date or transaction date, and posting time within item number

Warehouse By item number, posting date or transaction date, and posting time within warehouse

Order/Schedule By transaction code, posting date or transaction date, and posting time within order number or Schedule if REP is installed and interfacing

Transaction type By item number, warehouse, posting date or transaction date, and posting time within transaction type.

PAGE FORMAT. This field shows whether the report will start a new page for each item or whether it will print information about an item on the same page.

DATE SEQUENCE. This field shows how the report arranges dates within other sequences.

ASCENDING Earliest dates print first.

DESCENDING Latest dates print first.

RESTORED TRANSACTIONS INCLUDED/EXCLUDED. This field indicates whether restored transaction history records are included or excluded in this report.

This field prints only when restored records are present on the system.

The range limits. These limits control the size of the report. The report can include a range of each category listed below:

- Item number
- Transaction date (posting date)
- Order number
- Transaction type

- Warehouse (if you are using batch/lot support, the report includes all warehouses; and this range does not print on the report).

You can specify limits for one or any combination of categories. If you do not enter any of these limits, all transactions print.

If you did not enter limits for a category, the defaults are:

Item number	Beginning to End
Transaction date	Beginning to End
Order number	Beginning to End
Transaction type	Alphabetically, the first and last transaction types (expressed as two-letter codes) in the report.

ITEM NUMBER. The number of the item affected by the transactions listed.

WH. The code for the warehouse in which the item is located.

STK LOC. An alphanumeric value that identifies the stocking location of this item in the warehouse.

NEW LOC. The transfer to location for a TW transaction.

BATCH/LOT. The batch and lot number for the item appears only if you are using batch/lot support.

SCHED STAT. Status of the schedule after the transaction update has taken place.

MATCHED QTY. The quantity of this receipt transaction that has been matched to an IFM invoice. This field appears only if IFM is interfacing and only for purchase receipt transactions (RD, RI, RP, VR, PQ).

TRANSACTION.

CDE. A two-letter code identifying the type of inventory transaction.

QUANTITY. The item quantity affected by this transaction.

U/M. The unit of measure used to express the transaction quantity.

AMOUNT. The monetary value of this transaction.

POSTING DATE. The date assigned by the system to the transaction when it was processed. This date may not be the same as the date the transaction was entered.

ORDER. The number of the customer, purchase, or manufacturing order related to this transaction.

DUE DATE. The date the order is due in the warehouse.

CMP CD. A code that identifies the status of the related order after this transaction was posted.

C	Complete order
P	Partial receipt against order
R	Reopen a previously completed order (immediate update only)

blank Partial receipt against order (default)

USER/OPER. A variable field that can show either of the following:

- User sequence number, if you have assigned a sequence number to uniquely identify this Manufacturing Order Detail record.
- Operation sequence number for this transaction if Repetitive is installed and interfacing

RS OH QT (RESULTING ON HD QTY). The quantity of this item on hand after this transaction was posted.

S-NUMBER. The features and options code for the finished item. This field appears only if PDM is interfacing with IM.

CLK TM HOURS (CLOCK TIME HOURS). The clock time (in hours) when the production status (PS) transaction occurred. This field appears only if PM&C is installed and interfacing.

CREW NUMBER. The number of the crew to which the employee is assigned.

The next four fields appear only for Maintenance, Repair, and Overhaul (MRO) items if IM is interfacing with the Maintenance Management System (MMS).

***MRO* (Maintenance Repair Overhaul item).** Indicates that this is a spare part or a service item.

WORK ORDER. The number of the work order that originated in MMS.

TASK. Identifies a step on the work order. It represents the task to charge field, not the task sequence number.

COST CODE. The cost category that MMS uses to accumulate a specific cost associated with this work order or item. It is used only for non-stores and service items in MMS.

Transaction History—Purge Options (AMI2W1)

NORTHCREEK IND.	TRANSACTION HISTORY - PURGE OPTIONS	DATE 2/12/**	TIME 11.22.01	PAGE 1	AMI2W1
-----------------	-------------------------------------	--------------	---------------	--------	--------

PRINT PURGED TRANSACTIONS	Y
SAVE PURGED TRANSACTIONS	Y
PURGE TRANSACTIONS DATED ON OR BEFORE 12/01/**	
PRINT PURGE REPORT IN ASCENDING OR DESCENDING ORDER	A
TOTAL NUMBER OF RECORDS PURGED	120

To print this report, use option 3 on the Transaction History menu (AMIM80). This report prints the options you selected when purging transaction history records.

This report prints automatically when you purge transactions, even if you choose not to print the purged transactions. If you choose to print the transactions, this report is followed by the Transaction History—Multiple Items report (AMI2Z3).

Fields

PRINT PURGED TRANSACTIONS. Y (Yes) appears if you chose to print the transactions when they are purged.

SAVE PURGED TRANSACTIONS. Y (Yes) appears if you chose to save the transactions when they are purged. If you are using batch/lot support, this field is always Y (Yes).

PURGE TRANSACTIONS DATED ON OR BEFORE. The date appears on or before which all transactions are to be purged. If you are using batch/lot support, transactions are purged by transaction date. Otherwise, you specify whether to use posting date or transaction date on display AMI2X1.

PRINT PURGE REPORT IN ASCENDING OR DESCENDING ORDER. If you are printing the purged transactions, shows whether the earliest transactions are to print first (ascending order) or the latest transactions print first (descending order) by posting date. If you are using batch/lot support, the date sequence is based on transaction date.

TOTAL NUMBER OF RECORDS PURGED. The number of transaction history records purged during this purge job.

Transaction History—Single Item (AMI2Z2)

FESKO IND.	2	TRANSACTION HISTORY - REPORT OPTIONS	SINGLE ITEM	DATE 11/03/**	TIME 11.49.43	PAGE 1	AMI2Z2
				OPER 04			

SEQUENCE	ITEM	
PAGE FORMAT	SINGLE ITEM PER PAGE	
DATE SEQUENCE	ASCENDING	
RESTORED TRANSACTIONS INCLUDED		
RESTORED TRANSACTIONS EXCLUDED		
WAREHOUSE	FROM-BEGINNING	TO-END
ITEM NUMBER	FROM-16314	TO-16314
POSTING DATE	FROM-BEGINNING	TO-11/03/**
ORDER NUMBER	FROM-BEGINNING	TO-END
TRANSACTION TYPE	FROM-BEGINNING	TO-END

FESKO IND.	2	TRANSACTION HISTORY	SINGLE ITEM	DATE 11/03/**	TIME 11.49.43	PAGE 3	AMI2Z2
				OPER 04			

NUMBER	DESCRIPTION	CLASS	TYPE	DEFAULT	AVERAGE	STANDARD	LAST
16314	SHIPPER -12EA 8OZ BOTTLES	PK	4	.12000000	.10000000	.00000000	.10000000
WAREHOUSE	U/M					-- LAST DATE --	
PL1	EA					O.H.CHG	CYC/PHYS
						11/01/**	0/00/00

DATE	TYPE	DESCRIPTION	BATCH/LOT	CMD	U/M	QUANTITY	AMOUNT	AVG COST/	LOC/	VENDOR/	ORDER
	OPER	S-NUMBER	SCHED	STAT	LINE	CD		CLK	NEW	CREW	DUE
								TM-HOURS	LOC		DATE
7/07/**	RP	PURCH.RECEIPT TO STOCK			EA	10.000	5.0000	.50000000		MPAC1	
						MATCHED QTY	10.0000			P0000003	6/21/**
		OLD BALANCE									
		CUMULATIVE RECIEPTS									
		CUMULATIVE ISSUES									
		CUMULATIVE ADJUSTMENTS									
		NEW BALANCE									
TOTAL NUMBER OF RECORDS SELECTED		1									

*** END OF PRINT ***

This report prints the transaction history you selected, sorted by item number, warehouse, and date. The report starts a new page for each item.

This report is scheduled for printing when you select option 1 on the Transaction History Report Selection (Select) panel (AMI2U1) and select page format 2 (Single Item per Page) on the Transaction History Report Options panel, AMI2U2.

The order of the transaction records on this report depends on the sequences specified on panel AMI2U2. The records can print in sequence by item number or by warehouse. Within each major sequence, the records are sorted as follows, in the order listed:

- Item number: By warehouse, posting date or transaction date, and posting time
- Warehouse: By item number, posting date or transaction date, and posting time.

- **Date Sequence:** Within the sequence, the report can print the earliest records first (ascending order) or latest records first (descending order). Both sequences are by posting date.

The report prints in two parts. The first page summarizes the limits you selected for the report. The second and following pages print the transactions and reference information.

This report prints information about only one item per page.

Fields

SEQUENCE. The major sorting sequence for transactions in this report can be by item number (1) or by warehouse (2).

PAGE FORMAT. This field appears when the report starts a new page for each new item.

DATE SEQUENCE. This field shows how the report arranges dates within other sequences.

ASCENDING Earliest dates print first

DESCENDING Latest dates print first

RESTORED TRANSACTIONS INCLUDED/EXCLUDED. This field indicates whether restored transaction history records are included in this report.

Range Limits. You can specify limits for one or any combination of categories. If you do not enter any of these optional limits, all transactions will print.

If you did not enter limits for a category, the defaults are:

Warehouse	A to 999
Item number	Beginning to End
Posting date	Beginning to End
Order number	Beginning to End
Transaction type	Alphabetically, the first and last transaction types (expressed as two-letter codes) in the report.

ITEM.

NUMBER. The number of the item affected by the listed transactions.

DESCRIPTION. A description of the item affected by the listed transactions.

CLASS. The user-assigned code that describes the classification to which this item belongs; for example, ST might be used to code all items made of steel.

TYPE. The item type code that best describes the item. The available codes are:

0	Phantom
1	Assembly or subassembly
2	Fabricated item
3	Raw material
4	Purchased item
9	User option
F	Feature.

UNIT COST. The current contents of the following master file fields for the item unit cost:

Default Item Master file
Average Item Balance file
Standard Item Balance file
Last Item Balance file

WAREHOUSE. The code for the warehouse in which the item is located.

U/M. The stocking unit of measure for the item.

LAST DATE.

O.H.CHG. The date of the last transaction affecting quantity on hand in the Item Balance file.

CYC/PHYS. The date of the last cycle or physical count of this item as recorded in the Item Balance file.

TRANSACTION.

DATE. The date the transaction was entered.

TYPE. The two-letter code for the inventory transaction.

DESCRIPTION. The description for the inventory transaction.

BATCH/LOT. The batch and lot number for the item. This field appears only if you are using batch/lot support.

CMD LINE. A code that identifies the status of the related order after this transaction was posted. The codes are:

C Complete order
P Partial receipt against order
R Reopen a previously completed order (immediate update only)
blank Partial receipt against order (default)

OPER. The operation sequence number for this transaction.

S-NUMBER. The features and options code for the finished item. This field appears only if PDM is interfacing with IM.

SCHED STAT. Status of the schedule after the transaction update has taken place.

Note: If REP is installed and interfacing, the operation number (Oper.) and the select number (S-number used to define the options and features of the end item) appear.

TRANSACTION. A plus sign (+) after these amounts indicates that the amount was calculated using the following formula:

Transaction Amount=Transaction Quantity x Current STP Cost

The plus sign does not print if the calculated transaction amount is zero.

U/M CODE. The units used to express the transaction quantity.

QUANTITY. The item quantity affected by this transaction. An asterisk after this quantity indicates that this transaction did not affect the on hand quantity. The asterisk does not print if the transaction quantity is zero.

AMOUNT. The monetary value of this transaction. An asterisk after this amount indicates that this transaction did not affect the on hand quantity. The asterisk does not print if the transaction amount is zero.

MATCHED QUANTITY. The quantity of this receipt transaction that has been matched to an IFM invoice. This field appears only if IFM is interfacing and only for purchase receipt transactions (RD, RI, RP, VR, PQ).

AVG COST. The value per unit of the on hand quantity of the item after this transaction was posted.

CLK TM-HOURS (CLOCK TIME-HOURS). The clock time (in hours) when the production status (PS) transaction occurred. This field appears only if PM&C is installed and interfacing.

LOC. An alphanumeric value that identifies the stocking location of this item in the warehouse. This field appears only if you use batch/lot support.

NEW LOC. An alphanumeric value that identifies the new location of this item in the warehouse. This field appears only if you use batch/lot support.

VENDOR/CREW. The number of the primary vendor or crew for this item.

ORDER/DUE DATE. The number of the customer, purchase, or manufacturing order related to this transaction, and its due date.

The next four fields appear only for Maintenance, Repair, and Overhaul (MRO) items if IM is interfacing with the Maintenance Management System (MMS).

***MRO* (Maintenance Repair Overhaul item).** Indicates that this is a spare part or a service item.

WORK ORDER. The number of the work order that originated in MMS.

TASK. Identifies a step on the work order. It represents the task to charge field, not the task sequence number.

COST CODE. The cost category that MMS uses to accumulate a specific cost associated with this work order or item. It is used only for non-stores and service items in MMS.

OLD BALANCE. The actual quantity on hand and the value of the on hand inventory (quantity on hand multiplied by average unit cost) as it was before the earliest transaction appearing on this report.

CUMULATIVE RECEIPTS. The total quantity received for all transactions shown on the report and the total value of those receipts.

CUMULATIVE ISSUES. The total quantity issued for all transactions shown on the report and the total value of those issues.

CUMULATIVE ADJUSTMENTS. The total quantity and value of all adjustment transactions shown on this report.

NEW BALANCE. The total quantity and value of on hand inventory after all transactions shown on this report were posted.

New Balance = Old Balance + Cumulative Receipts + Cumulative Adjustments - Cumulative Issues

TOTAL NUMBER OF RECORDS SELECTED. The total number of transactions processed. This field appears only on the last page of the report.

Chapter 15. Forms

This chapter contains IM data entry and maintenance forms. The forms and field descriptions explain the fields, their characteristics, and valid entries.

Table 15-1. List of forms, sorted by task and form name

File Maintenance

Report	ID	Page
Purchase Order Item Detail File Maintenance	IM-12	15-3
Purchase Order Blanket Release Detail File Maintenance	IM-13	15-5
Manufacturing Order Master File Maintenance	IM-14	15-5
Manufacturing Order Detail File Maintenance	IM-15	15-9
Item Balance File Maintenance	IM-16A, IM-16B, IM-16C, IM-16D	15-11, 15-13, 15-15, 15-17
Item Master File Maintenance—General Information	PM-01	15-19
Item Master File Maintenance—Additional Information	PM-02	15-19
Item Master File Maintenance—Costing Information	PM-03	15-23
Item Master File Maintenance—Purchasing Information	PM-04	15-25

Offline File Maintenance

Report	ID	Page
Item Balance/Item Plan Offline File Maintenance	IM-18A	15-27
Item Master Offline File Maintenance—A Record	PM-26A, PM-26B	15-32, 15-32
Item Master Offline File Maintenance—B Record	PM-27	15-35
Item Master Offline File Maintenance—C Record	PM-28	15-37

Accounting Controls and Audits

Report	ID	Page
Batch Log	IM-22	15-40

File maintenance forms

Use the following forms to add or change records in the Purchase Order Item Detail, Purchase Order Blanket Release Detail, Manufacturing Order Master, Manufacturing Order Detail, Item Master, and Item Balance master files.

To help you complete the forms, each form directs you to the displays where the fields are described.

Purchase Order Item Detail file maintenance (IM-12)

Display AMI7B1, AMI7B2

Order number * (A7) _ _ _ _ _

Item number * (A15) _ _ _ _ _

Warehouse (A3) _ _ _

Sequence (N3) _ _ _

Description (A30) _ _ _ _ _

Order status (A2) _ _

Order quantity (N10.3) _ _ _ _ . _ _ _

Order date (n6) _ _ _ _ _

Vendor (A6) _ _ _ _ _

Receipt at dock (N10.3) _ _ _ _ . _ _ _

Due date (N6) _ _ _ _ _

Stock loc (A7) _ _ _ _ _

Inspection (N10.3) _ _ _ _ . _ _ _

Follow up (N6) _ _ _ _ _

Department (A4) _ _ _ _

Scrap (N10.3) _ _ _ _ . _ _ _

Last activity (N6) _ _ _ _ _

Planner (N5) _ _ _ _ _

Receipt to stock (N10.3) _ _ _ _ . _ _ _

Job number (A12) _ _ _ _ _

Deviation (N10.3) _ _ _ _ . _ _ _

Vendor catalog no. (A25) _ _ _ _ _

Reference number (A10) _ _ _ _ _

Reschedule code (N1) _

Change to a non-blanket order? (A1) _

_ F10 Cancel order

_ F11 Reactivate order

* This field is required

Contents	Index	Exit
--------------------------	-----------------------	----------------------

Use form IM-12 to maintain purchase order information in the Purchase Order Item Detail file.

The fields on this form are described under displays "AMI7B1—Purchase Order Item Detail File Maint. (Select)" and "AMI7B2—Purchase Order Item Detail File Maint. (Change)".

Purchase Order Blanket Release Detail file maintenance (IM-13)

Display AMI7C1, AMI7C2

- Add
- Change *(A1)
- Delete

Order number* (A7)	-----
Item number* (A15)	-----
Warehouse (A3)	---
Sequence (N3)	---
Blanket release no* (N4)	----
Quantity this release (N10.3)	----- . ----
Qty received at dock (N10.3)	----- . ----
Inspection quantity (N10.3)	----- . ----
Quantity scrapped (N10.3)	----- . ----
Qty received to stock (N10.3)	----- . ----
Due date this release (N6)	-----
Last activity date (N6)	-----

* This field is required.

Use form IM-13 to maintain purchase order information in the Purchase Order Blanket Release Detail file.

The fields on this form are described under displays "AMI7C1—P.O. Blanket Release Detail File Maint. (Select)" and "AMI7C2—P.O. Blanket Release Detail File Maint. (Add or Change)".

Manufacturing Order Master file maintenance (IM-14)

Display AMI7D1, AMI7D2

Order number* (A7)	-----
Description (A30)	-----
Eng drawing (A15)	-----
Order quantity (N10.3)	----- . ----
Quantity deviation (N10.3)	----- . ----
Management priority (A1)	_
Quantity received (N10.3)	----- . ----
Department (A4)	----
Scrap quantity (N10.3)	----- . ----
Stock location (A7)	-----
Split order qty (N10.3)	----- . ----
Job number (A12)	-----
Reference number (A10)	-----
Sched start date (N6)	-----
Planner (N5)	-----
Actual start date (N6)	-----
Order acctg class (A3)	---
Due date (N6)	-----
Reschedule code (N1)	_
Last activity date (N6)	-----
Unit cost (N19.8)	----- . -----

_ F10 Cancel order

_ F11 Reactivate order

* This field is required.

Use form IM-14 to maintain manufacturing order information in the Manufacturing Order Master file.

The fields on this form are described under displays "AMI7D1—Manufacturing Order Master File Maintenance (Select)" and "AMI7D2—Manufacturing Order Master File Maintenance (Change)".

Manufacturing Order Detail file maintenance (IM-15)

Display AMI7E1, AMI7E2

- Add
- Change *(A1)
- Delete

Order number* (A7)	-----
Component* (A15)	-----
Warehouse (A3)	---
Description (A30)	-----
Revision (A6)	-----
Total quantity (N10.3)	----- . ----
Adjusted quantity per (N15.7)	----- . ----
Standard quantity per (M15.7)	----- . ----
Calculate by Order Qty <0> or Open Qty <P> (A1)	-
Unit cost (N19.8)	----- . ----
Required date (N6)	-----
Last issue date (N6)	-----
Customer job number (A12)	-----
Operation where used (A4)	----
Stock location (A7)	-----
Unit of measure (A2)	--
Floor stock code <C/U>(A1)	-
User sequence (A4)	----

Use form IM-15 to maintain manufacturing order information in the Manufacturing Order Detail file.

See "AMI7E1—Manufacturing Order Detail File Maint. (Select)" and "AMI7E2—Manufacturing Order Detail File Maint. (Add or Change)" for a description of the fields on this form.

Item Balance file maintenance (IM-16A)

Display AMI7A1, AMI7A2, AMI&A5

```

Item number * (A15) _____ Warehouse (A3)  ___
Action * (A1)      _      A - Add   C - Change   D - Delete   S - Suspend   R - Reactivate
Item class (A4)    _____ Vendor (A6)     _____ Planner (N5)  _____
Stock loc (A7)     _____ Flr stock (A1)  _____ Std cost (IN5.4)  _____
                                                           Backflush (A1)  _
Lead Time
                                                           Stock configuration (A1) _
Code * (A1)        _      Order Point (N10.3)  _____ . ____  --MONTH-TO-DATE--
Mfg (N4.1)         _____ Safety Stock (N10.3)  _____ . ____  Usage Cost (N13.2)  _____ . ____
Var Mfg (N4.1)     _____ Fixed Order Qty (N10.3)  _____ . ____  Sales Cost (N13.2)  _____ . ____
Adj Mfg (N3.1)     _____ Purchase U/M (A2)     _____ Sales Amt (N13.2)  _____ . ____
Avg Mfg (N4.1)     _____ U/M Conv. (N10.5)    _____ . ____  --YEAR-TO-DATE--
CMLT Mfg (N4.1)    _____ Item acctg class (A3)  _____ Usage Cost (N13.2)  _____ . ____
Rev Pur (N4.1)     _____ Cycle Count           Sales Cost (N13.2)  _____ . ____
Saf Pur (N4.1)     _____ Code (N1)           _____ Sales Amt (N13.2)  _____ . ____
Ven Pur (N4.1)     _____ Date Next Count (N6)  _____
Pur (N4.1)         _____ Trans Compare (N7)   _____ Avg Sales (N13.2)  _____ . ____
Adj Pur (N2)       _____ Date Last Sale (N6)  _____
Avg Pur (N4.1)     _____ Date Last Use(N6)   _____
CMLT Mt1 (N4.1)    _____

```

* This field is required.

Use this form to add or change Item Balance file records online. To load Item Balance file information from offline files, use form IM-18A shown later in this chapter.

The fields on this form are described under displays "AMI7A1—Item Balance File Maintenance (Select)", and "AMI7A5—Item Balance File Maintenance (Add or Change)".

Note: Item class (ITCLS), warehouse location (WHSLC), and vendor (VNDNR) also exist in the Item Master file A-record for this item. However, they should also be coded in the Item Balance record. Most reports which select or sort by these fields will not default to the value in the Item Master file if these fields are blank in the Item Balance file.

Item Balance file maintenance (IM-16B)

Display AMI7A1, AMI7A4

Item number * (A15) _____

Warehouse (A3) _____

Action * (A1) _ A - Add C - Change D - Delete S - Suspend R - Reactivate

Quantities

On-hand (N10.3) _____ . _____

On order prod (N10.3) _____ . _____

On order pur (N10.3) _____ . _____

Allocated (N10.3) _____ . _____

Pick list req (N10.3) _____ . _____

Begin inv (N10.3) _____ . _____

Period to Date

Year to Date

Sold (N11.3) _____ . _____	Sold (N13.3) _____ . _____
Issues (N13.3) _____ . _____	Issues (N13.3) _____ . _____
Receipts (N13.3) _____ . _____	Usage (N13.3) _____ . _____
Adjusts (N13.3) _____ . _____	
Usage (N13.3) _____ . _____	
Date last activity issued (n6) _____	
Date last affecting qty on hand (n6) _____	
Avg period-end balance (N15.2) _____ . _____	
Estimated annual usage (N13.3) _____ . _____	

* This field is required.

Use form IM-16B to add or change Item Balance file quantities online. To load Item Balance file information from offline files, use form IM-18A shown later in this chapter.

The **ITEM NUMBER**, **WAREHOUSE**, and **ACTION** fields can be typed in only on the Select display.

The fields on this form are described under displays "AMI7A1—Item Balance File Maintenance (Select)" and "AMI7A4—Item Balance File Maintenance (Add or Change)".

Note: Item class (ITCLS), warehouse location (WHSLC), and vendor (VNDNR) also exist in the Item Master file A-record for this item. However, they should also be coded in the Item Balance record. Most reports which select or sort by these fields will not default to the value in the Item Master file if these fields are blank in the Item Balance file.

Item Balance file maintenance (IM-16C)

Displays AMI7A1, AMI7A7

```

Item number * (A15)  -----
Warehouse (A3)      ---
Action * (A1)       -      A - Add   C - Change   D - Delete   S - Suspend   R - Reactivate

Schedule Control <Y/N> (A1)  -
Extract Source Code < ,1,2,3> (A1)  -
Daily/Summary Schedule <1,2> (N1)  -
Carry Forward Code <Y/N> (A1)  -
Smoothing Code < ,2,3> (N1)  -
Lot Sizing (A1)           -

Primary Production Line (A5)  -----
Schedule Group (A5)         -----
Warehouse Location (A7)     -----
Quantity Per Container (10.3) -----
Container Description (A4)   -----

```

Use form IM-16C to add or change detail information on the Item Balance file used in repetitive manufacturing processes. To load Item Balance file information from offline files, use form IM-18A, shown later in this chapter.

The **ITEM NUMBER**, **WAREHOUSE**, and **ACTION** fields can be typed in only on the Select display.

The fields on this form are described under displays “AMI7A1—Item Balance File Maintenance (Select)” and “AMI7A7—Item Balance File Maintenance – Repetitive Manufacturing (Add or Change)”.

Note: Item class (ITCLS), warehouse location (WHSLC), and vendor (VNDNR) also exist in the Item master file A-record for this item. However, they should also be coded in the Item Balance record. Most reports which select or sort by these fields will not default to the value in the Item Master file if these fields are blank in the Item Balance file.

Item Balance file maintenance (IM-16D)

Display AMI7A1, AMI7A8		A - Add	Action* (A1)	-
Item number* (A15)	-----	C - Change		
Warehouse (A3)	---	D - Delete		
		S - Suspend		
		R - Reactivate		
Master Schedule Item Code (A1)	-			
Product Family Planner (N5)	-----			
Minimum Qty (N10.3)	----- .----			
MPS Planning Source Code (A1)	-			
Maximum Qty (N10.3)	----- .----			
Days Supply (N3)	---			
Multiple Qty (N10.3)	----- .----			
Forecasting Code (N1)	-			
Master Level Item Code (A1)	-			
Master Level Fcst Code * (N1)	-			
Order Policy Code (A1)	-			
No of Periods (N2)	--			
Master Level Print Code (A1)	-			
Days/Period (N2)	--			
Max # Lines/Item (A1)	-			
Forecast Qty (N6)	-----			
Period Interval Code (N1)	-			
Firm Time Fence (N3)	---			
Combine Requirements Code (N1)	-			
Auth Time Fence (N3)	---			
Include Inventory Balance* (N1)	-			
Auto Release Code (N1)	-			
Shrinkage (N3.3)	.-----			
Contract Required Code (N1)	-			
PRBRK Conv Factor (N11.4)	----- .----			
Item Reschedule Code (N1)	-			
Plan Customer Order Code* (N1)	-			
Reschedule Frozen Zone (N5)	-----			
Plan Expected Order Code* (A1)	-			
Min Days to Reschedule (N5)	-----			
Planning Profile ID (A6)	-----			
Demand Time Fence (N3)	---			
Resource Number (A5)	-----			
Resource Profile Bld Code (A1)	-			

* This field is required.

Use form IM-16D to add or change detail information in the Item Plan file. To load Item Balance file information from offline files, use form IM-18A shown later in this chapter.

The **ITEM NUMBER**, **WAREHOUSE**, and **ACTION** fields can be typed in only on the Select display.

The fields on this form are described under displays "AMI7A1—Item Balance File Maintenance (Select)" and "AMI7A8—Item Balance File Maintenance — Planning Information (Add or Change)" .

Note: Item class (ITCLS), warehouse location (WHSLC), and vendor (VNDNR) also exist in the Item Master file A-record for this item. However, they should also be coded in the Item Balance record. Most reports which select or sort by these fields will not default to the value in the Item Master file if these fields are blank in the Item Balance file.

Item Master file maintenance—general information (PM-01)

		<u> </u> Add <u> </u> Change * (A1) <u> </u> Delete
Display AMVT01		
Item number * (A15)	-----	
Display AMVT02		
Item description * (A30)	-----	
Engineering drawing number (A15)	-----	
Stocking unit of measure * (A2)	--	
Item type code * (A1)	-	
Unit cost default (N19.8)	----- . -----	
Item class (A4)	----	
Unit weight (N7.3)	----- . ----	
Weight unit of measure (A2)	--	
Order unit of measure class (A2)	--	
Warehouse stock location (A7)	-----	
Alternate item (N15)	-----	
Vendor number (primary) (A6)	-----	
Department number (A4)	----	
Item accounting class (A3)	---	
Carrying rate (N3.3)	. ----	
Value class (A1)	-	
Standard setup cost per lot (N19.8)	----- . -----	
Packing code (A2)	--	
Standard batch quantity * (N11.3)	----- . ----	
Inventory code * (N2)	--	
Bill of lading commodity code (A8)	-----	
QC control flag (N1)	-	
Purchase tax indicator (A3)	---	
Shelf life (in days) (N4)	----	
Sales tax indicator (A3)	---	
Batch/lot control flag (N1)	-	
Print on sales analysis (N1)	-	
Inspect on receipt flag (N1)	-	
Item tax class (A15)	-----	
Discrete allocations flag (N1)	-	
Kit external document print opt (A1)	-	

*Indicates a required field.

Use form PM-01 to maintain general item information in the Item Master File A-record.

The fields on this form are described under displays AMVT01 and AMVT02. See "AMVT01—Item Master File Maintenance (Select)" and "AMVT02—Item Master File—General Information (Add/Change/Delete/Set Defaults)" .

Item Master file maintenance—additional information (PM-02)

		<u> </u> Add <u> </u> Change *(A1) <u> </u> Delete
Display AMVT01		
Item number * (A15)	-----	
Display AMVT03		
Commission percent (N7.3)	----- . ----	
Base price effective date (N6)	-----	
Base price (N6.3)	----- . ----	
Item price class (A4)	-----	
Item price unit of measure (A1)	--	
Warranty period (N5)	-----	
Warranty period unit of measure (A2)	--	
Serial number required (A1)	--	
Country of origin code (A3)	---	
Item sales group (A5)	-----	
Specific gravity (N9.4)	----- . ----	
Tax commodity code (A8)	-----	
Tax weight per unit (N9.4)	----- . ----	
Supplemental weight (N9.4)	----- . ----	
Supplemental weight unit of measure (A2)	--	
Unit volume	----- . ----	
Volume unit of measure	--	

*Indicates a required field.

Use form PM-02 to maintain pricing/additional information in the Item Master File A-record.

Add/Change/Delete. A required field that indicates the maintenance function you want to perform.

See "AMVT03—Item Master File—Additional Information (Add/Change/Delete/Set Defaults)" for a description of the remaining fields on this form.

Item Master file maintenance—costing information (PM-03)

- Add
- Change *(A1)
- Delete

Display AMVT01

Item number * (A15) -----

Display AMVT04

Cost technique code (A1)	-
Labor hours (N9.4)	-----
Standard lot size (N10.3)	-----
Current material this level (N19.8)	-----
Standard material this level (N19.8)	-----
Current outside operations this level (N19.8)	-----
Standard outside operations this level (N19.8)	-----
Current purchase overhead table code (A1)	-
Standard purchase overhead table code (A1)	-
Current setup labor this level (N19.8)	-----
Standard setup labor this level (N19.8)	-----
Current run labor table code (A1)	-
Current run labor this level (N19.8)	-----
Standard run labor table code (A1)	-
Standard run labor this level (N19.8)	-----
Current setup machine this level (N19.8)	-----
Standard setup machine this level (N19.8)	-----
Current run machine this level (N19.8)	-----
Standard run machine this level (N19.8)	-----
Current mfg overhead table code (A1)	-
Current mfg overhead this level (N19.8)	-----
Standard mfg overhead table code (A1)	-
Standard mfg overhead this level (N19.8)	-----
Current (Other cost 1) this level (N19.8)	-----
Standard (Other cost 1) this level (N19.8)	-----
Current (Other cost 2) this level (N19.8)	-----
Standard (Other cost 2) this level (N19.8)	-----
Current (Other cost 3) this level (N19.8)	-----
Standard (Other cost 3) this level (N19.8)	-----
Current (Other cost 4) this level (N19.8)	-----
Standard (Other cost 4) this level (N19.8)	-----

*Indicates a required field.

Use form PM-03 to maintain additional cost information in the Item Master File B-record.

Add/Change/Delete. A required field that indicates the maintenance function you want to perform.

See "AMVT04—Item Master File—Costing Information (Add/Change/Delete/Set Defaults)" for a description of the remaining fields on this form.

Item Master file maintenance—purchasing information (PM-04)

_ Add
 _ Change (A1)*
 _ Delete

Display AMVT01

Item number * (A15) -----

Display AMVT05

Extended descriptions (A40)

Buyer number (A5) -----

Account number (A15) -----
 OR
 Nature (A10) -----

Purchase price (N15.4) -----

Receipt required (N1) -

Allowable days early (N3) ---

Receiving tolerance percent (positive) (N3) ---

Weighted lead time percent (N3) ---

Ship via (A3) ---

Receiving tolerance percent (negative) (N3) ---

Weighted delivery percent (N3) ---

Alpha factor (N3.3) . ---

Weighted quality percent (N3) ---

Purch commodity (A5) -----

Weighted price percent (N3) ---

Pre-approved (A1) -

Weighted early delivery percent (N3) ---

Weighted late delivery percent (N3) ---

Weighted overship percent (N3) ---

Weighted undership percent (N3) ---

*Indicates a required field.

Use form PM-04 to maintain purchasing or additional MRP information in the Item Master File C-record.

Add/Change/Delete. A required field that indicates the maintenance function you want to perform.

See "AMVT05—Item Master File—Purchasing Information (Add/Change/Delete/Set Defaults)" for a description of the remaining fields on this form.

Item Balance/Item Plan offline file maintenance form

Use the following three-part form to add, change, delete, suspend, or reactivate records in the Item Balance/Item Plan files.

Your offline file will be copied to a file named IBLDSK. The layout for IBLDSK is the same as the externally described file TMP113. This is a single record format. See Appendix A, "Offline file load and data entry" for instructions on obtaining a spool file of the file record layout.

Default values are assigned to fields that are not entered. Normally, numeric fields are set to all zeros and alphanumeric fields are set to all blanks. Any exceptions to this general rule are noted in the field descriptions.

Transaction Code, **Item Number**, and **Warehouse** are the only required fields. The transaction code for each record varies according to the type of maintenance being performed.

TRANSACTION CODE. Use one of the following:

IOIW0100 Add record
IOIW0200 Change record
IOIW0300 Delete record
IOIW0400 Suspend record
IOIW0500 Reactivate record

The remaining fields on this form are described under displays "AMI7A1—Item Balance File Maintenance (Select)", "AMI7A5—Item Balance File Maintenance (Add or Change)", "AMI7A7—Item Balance File Maintenance - Repetitive Manufacturing (Add or Change)", and "AMI7A8—Item Balance File Maintenance — Planning Information (Add or Change)".

Note: For more information about the transaction codes, the fields required for each code, and the ways to enter changes and deletions, see Appendix A, "Offline file load and data entry". Review the field update transaction tables in Appendix E, "Transaction update tables" for help in understanding the Item Balance fields.

Item Balance/Item Plan offline file maintenance (IM-18A)

Transaction ID (TRID) _ _ _ _ _	IOIW010 Add record IOIW020 Change record IOIW030 Delete record IOIW040 Suspend record IOIW050 Reactivate record	
Item number (ITNO) (A15) *		_ _ _ _ _ . _ _ _ _ _
Warehouse (WHID) (A3) *		_ _ _
Item Class (ITCL) (A4) *†		_ _ _ _
Mfg Allocated Quantity (QALM) (N10.3)		_ _ _ _ _ . _ _ _
Qty Sold This Period (QSMO) (N11.3)		_ _ _ _ _ . _ _ _
Qty Issued This Period (QIMO) (N13.3)		_ _ _ _ _ . _ _ _
Qty Received This Period (QRMO) (N13.3)		_ _ _ _ _ . _ _ _
Qty Adjusted This Period (QAMO) (N13.3)		_ _ _ _ _ . _ _ _
Beginning Inventory (BGIN) (N10.3)		_ _ _ _ _ . _ _ _
Lead Time Code (LTCD) (A1)		_
Lead Time Manufacturing (LTMF) (N4.1)		_ _ _ . _
Lead Time Adjustment Mfg (LTMA) (N3.1)		_ _ . _
Lead Time Purchase (LTPU) (N4.1)		_ _ _ . _
Vendor Lead Time (LTVN) (N4.1)		_ _ _ . _
Safety Lead Time (LTSF) (N4.1)		_ _ _ . _
Review Lead Time (LTRV) (N4.1)		_ _ _ . _
Lead Time Adjustment Purchase (LTPA) (N2)		_ _
On Hand Total Qty (QTOH) (N10.3)		_ _ _ _ _ . _ _ _
Standard Unit Cost (UCSD) (N19.8)		_ _ _ _ _ . _ _ _ _ _
Order Point (ORPD) (N10.3)		_ _ _ _ _ . _ _ _
Fixed Order Quantity (FXOQ) (N10.3)		_ _ _ _ _ . _ _ _
Safety Stock (SFSK) (N10.3)		_ _ _ _ _ . _ _ _
On Order Production Qty (QOOM) (N10.3)		_ _ _ _ _ . _ _ _
On Order Purchase Qty (QOOP) (N10.3)		_ _ _ _ _ . _ _ _
Qty Used This Year (QUYR) (N13.3)		_ _ _ _ _ . _ _ _
Date of Last Issue Activity (DLIS) (N7)		_ _ _ _ _
Last Date Affecting Qty on Hand (DLOH) (N7)		_ _ _ _ _
Cycle Count Compare (CCTC) (N7)		_ _ _ _ _
Cycle Count Code (CCCD) (A1)		_
Date for Next Cycle Count (DNCC) (N7)		_ _ _ _ _
Vendor Number (VNDR) (A6) †		_ _ _ _ _
Purchase U/M (PUUM) (A2)		_ _
U/M Conversion (UMCF) (N10.5)		_ _ _ . _ _ _
Warehouse Stock Location (WHLC) (A7) †		_ _ _ _ _
Qty Issued This Year (N13.3)		_ _ _ _ _ . _ _ _
Qty Used This Period (QUMO) (N13.3)		_ _ _ _ _ . _ _ _
* This field is required.		
† Although these fields are in the Item Master file A-record, they should be coded here. Most reports that select or sort these fields will not default to the value in the Item Master file if these fields are blank in the Item Balance file record.		
Qty Sold Year to Date (QSYR) (N13.3)		_ _ _ _ _ . _ _ _

Item Sales Amt Period to Date (ASMO) (N15.2)	----- . ---
Item Sales Amt Year to Date (ASYR) (N15.2)	----- . ---
Item Cost Amt Period to Date (CSMO) (N15.2)	----- . ---
Item Cost Amt Year to Date (CSYR) (N15.2)	----- . ---
Usage Cost Period to Date (CUMO) (N15.2)	----- . ---
Usage Cost Year to Date (CUYR) (N15.2)	----- . ---
Estimated Annual Usage (EANU) (N13.3)	----- . ---
Avg Period end Balance (AVEB) (N15.2)	----- . ---
Avg Sales Per Period (AVSL) (N15.2)	----- . ---
Date of Last Sale (DLSA) (N7)	-----
Pick List Requirements (QALC) (N10.3)	----- . ---
Floor Stock Code (FLSK) (A1)	-
Cumulative Matl Lead Time (LTCT) (N4.1)	----- . ---
Avg Mfg Lead Time (LTGM) (N4.1)	----- . ---
Avg Purchase Lead Time (LTGP) (N4.1)	----- . ---
Variable Mfg Lead Time (LTVM) (N4.1)	----- . ---
Item Schedule Control Code (SCHC) (N1)	-
Extract Source Code (EXTC) (A1)	-
Carry Forward Code (CFWC) (N1)	-
Primary Production Line (PLIN) (A5)	-----
Carry Forward Option (SUMC) (A1)	-
Schedule Group (SCHG) (A5)	-----
Smoothing Code (SMCD) (A1)	-
Smoothing Start Date (SMSD) (N7)	-----
Container Description (CNDS) (A4)	-----
Qty Per Container (CNQT) (N10.3)	----- . ---
Planner (PLAN) (N5)	-----
Forecast Qty (FRQT) (N7)	-----
Include Inventory Balance from Mult (ININ) (A1)	-
Item Acctg Class (ITAC) (A3)	---
Master Level Item Code (MLIC) (A1)	-
Order Policy Code (ORDP) (A1)	-
Minimum Qty (MINQ) (N10.3)	----- . ---
Maximum Qty (MAXQ) (N10.3)	----- . ---
Multiple Qty (MULQ) (N10.3)	----- . ---
Time Period of Supply (NODS) (N3)	---
Master Level Forecast Code (MLFC) (N1)	-
Days per Forecast Period (PDDY) (N2)	---
Number of Forecast Periods (FRPD) (N2)	---
Maximum Number of Lines/Item (MXLN) (A1)	-
Period Interval Code (PDIN) (N1)	-
Combine Requirements (CMRQ) (N1)	-
Shrinkage Factor (SHFC) (N3)	---

Price Break Conversion Factor (PBCF) (N11.4)	-----
Auto Release Code (ATRL) (N1)	-
Master Level Print Code (MLPC) (A1)	-
Master Schedule Planning Source Code (MSSR) (A1)	-
Auto Blanket Release Firm Time Fence (FTIM) (N3)	---
Auto Blanket Release Auth Time Fence (ATIM) (N3)	---
Create Planned Orders Code (CTPO) (A1)	-
Item Reschedule Code (ITRC) (N1)	-
Minimum Days to Reschedule (MIND) (N5)	-----
Rescheduling Frozen Zone (RSFZ) (N5)	-----
Lot Charge Flat (LOTZ) (A1)	-
Netted Allocations Override Flag (NETA) (A1)	-
Contract Use in Auto Release Item Override (A1)	-
User Field - Switch A (UUSA) (A1)	-
User Field - Switch B (UUSB) (A1)	-
User Field - Code A (UUCA) (A5)	-----
User Field - Code B (UUCB) (A5)	-----
User Field - Quantity 1 (UUQ1) (N11.3)	-----
User Field - Amount 1 (UUA1) (N15.2)	-----
User Field - Date 1 (UUD1) (N7)	-----
User Field - Text 40 (UU40) (A40)	-----
Planning Schedule Profile (PSPR) (A6)	-----
Plan Expected Orders Code (ETPO) (A1)	-
Master Schedule Item Code (MSIC) (A1)	-
Demand Time Fence Days (DTFD) (N3)	---
Resource Number (RSNO) (A5)	-----
Resource Profile Build Code (RSBF) (A1)	-
Production Family Planner (PFPL) (N5)	-----
Forecasting Code (FCSC) (N1)	-
Backflush Adj/Std Code (N1)	-
Stock configuration code (N1)	-

Item Master offline file maintenance forms

Use the following forms to add, change, or delete records in the Item Master file.

The file definitions for the offline load can be found in the following files:

- IMDSKTA- for Item Master A record
- IMDSKTB - for Item Master B record
- IMDSKTC - for Item Master C record

See Appendix A, "Offline file load and data entry" for instructions on obtaining a spool file of the file record layout.

To help you complete the forms, each form directs you to the displays where the fields are described.

Note: The transaction code for each record varies according to the type of maintenance being performed. For more information about the transaction codes, the fields required for each code, and the ways to enter changes and deletions, see Appendix A, "Offline file load and data entry".

Item Master offline file maintenance—A-record (PM-26A)

```

Transaction code (TRID) (A8)          -----
(E0IA0101, E0IA02001, E0IA0301)**
Item number (ITNBR) (A15)*†         -----

Item description (ITDSC) (A30) *     -----

Item type code (ITTYP) (A1)*         -

Item class (ITCLS) (A4)              -----

Inventory flag (INVFG) (N2)          --

Standard batch quantity (SBQTY) (N11.3)* -----
                                         .

Unit cost default (UCDEF) (N19.8)    -----
                                         .

Unit of measure (UNMSR) (A2)         --

Unit weight (WEGHT) (N7.3)          -----
                                         .

Warehouse stock location (WHSLC) (A7) -----

Engineering drawing number (ENGN0) (A15) -----

Vendor number (VNDNR) (A6)          -----

Department number (DPTNO) (A4)       -----

Standard setup cost per lot (STDSU) (N19.8) -----
                                         .

Print on sales analysis flag (SAFLG) (N1) -

Carrying rate (CARRY) (N3.3)         .-----

Value class (VALUC) (A1)             -

Packing code (PACKC) (A2)            --

QC control flag (QCTYP) (N1)         -

Shelf life in days (QCDAY) (N4)      -----

Batch/log control flag (BLCF) (N1)   -

Inspect on receipt flag (INTYP) (N1) -

Discrete allocations flag (ALLOC) (N1) -

Purchase tax indicator (PTAXI) (A3)   ---

Sales tax indicator (STAXI) (A3)     ---

```

*Indicates a required field.

†Some fields are not required for all transaction codes.

**Use the appropriate transaction code for the type of maintenance you are going to perform.

Item Master offline file maintenance—A-record (PM-26B)

Item accounting class (ITAC) (A3)	---
Whole number conversion (A1)	-
Specific gravity (XBKMVA) (N9.4)	----- . -----
Commission percent (XBAPPC) (N7.3)	----- . ----
Warranty period (XBLBNB) (N5)	-----
Serial number required (XBIPST) (A1)	-
Kit external document print option (XBIQST) (A1)	-
Tax weight per unit (XBAAS2) (N9.4)	----- . -----
Supplemental weight (XBAAS2) (N9.4)	----- . -----
Unit of measure class (XBC8CD) (A2)	--
NAFTA prefer criteria (Z02E07) (A2)	--
UNAFTA certification basis (Z9W407) (A1)	--
Bill of lading commodity code (XBFOCD) (A8)	-----
Weight unit of measure (XBCQCD) (A2)	--
Warranty unit of measure (XBHJCD) (A2)	--
volume weight of unit measure (XBAAPT) (A2)	--
EEC commodity code (XBAAXB) (A8)	-----
Country of origin (XBCOCD) (A3)	---
MRO item (MROI) (A1)	-
Add to spare part list (ATSP) (A1)	-
OEM number (OEMN) (A22)	-----
Item sales group code (ADSB) (A5)	-----
User field - switch A (UUSA) (A1)	-
User field - switch B (UUSB) (A1)	-
User field - switch C (UUSC) (A1)	-
User field - code A (UUCA) (A5)	-----
User field - code B (UUCB) (A5)	-----
User field - code C (UUC) (A5)	-----
User field - quantity 1 (UUQ1) (N6.3)	----- . ----
User field - amount 1 (UUA1) (N8.2)	----- . ----
User field - date 1 (UUD1) (N7)	-----
User field - text 25 (UU25) (A25)	-----
User field - text 40 (UU40) (A40)	-----

Base price (N8.3)	----- . ----

*Indicates a required field.

Use forms PM-26A and PM-26B to enter information for the Item Master A-record into an offline file.

Transaction code. A required code that indicates the type of offline maintenance being performed on this record.

E0IA0101 Add
E0IA0201 Change
E0IA0301 Delete

See "AMVT01—Item Master File Maintenance (Select)", "AMVT02—Item Master File—General Information (Add/Change/Delete/Set Defaults)", and "AMVT03—Item Master File—Additional Information (Add/Change/Delete/Set Defaults)" for a description of the other fields on this form.

Item Master offline file maintenance—B-record (PM-27)

```

Transaction code (TRID) (A8) -----
(EOIB0100, EOIB0200, EOIB0300)**
Item number (ITNBR) (A15)*† -----
Standard lot size (LOTSZ) (N10.3) -----
Labor/overhead TL cost technique code (CTECH) (A1) -----
Labor hours (LABHR) (N9.4) -----
Current material this level (N19.8) -----
Standard material this level (N19.8) -----
Current outside operations this level (N19.8) -----
Standard outside operations this level (N19.8) -----
Current purchase overhead table code (A1) -----
Current setup labor this level (N19.8) -----
Standard setup labor this level (N19.8) -----
Current run labor table code (A1) -----
Current run labor this level (N19.8) -----
Standard run labor table code (A1) -----
Standard run labor this level (N19.8) -----
Current setup machine this level (N19.8) -----
Standard setup machine this level (N19.8) -----
Current run machine this level (N19.8) -----
Standard run machine this level (N19.8) -----
Current mfg overhead table code (A1) -----
Current mfg overhead this level (N19.8) -----
Standard mfg overhead table code (A1) -----
Standard mfg overhead this level (N19.8) -----
Current (Other cost 1) this level (N19.8) -----
Standard (Other cost 1) this level (N19.8) -----
Current (Other cost 2) this level (N19.8) -----
Standard (Other cost 2) this level (N19.8) -----
Current (Other cost 3) this level (N19.8) -----
Standard (Other cost 3) this level (N19.8) -----
User field - switch A (UUSA) (A1) -----
User field - switch B (UUSB) (A1) -----
User field - switch C (UUSC) (A1) -----
User field - code A (UUCA) (A5) -----
User field - code B (UUCB) (A5) -----
User field - code C (UUC) (A5) -----
User field - quantity 1 (UUQ1) (N6.3) -----
User field - amount 1 (UUA1) (N8.2) -----
User field - date 1 (UUD1) (N7) -----
User field - text 40 (UU40) (A40) -----
-----

```

*Indicates a required field.

**Use the appropriate transaction code for the type of maintenance you are going to perform.

Use forms PM-27 to enter information for the Item Master A-record into an offline file.

Transaction code. A required code that indicates the type of offline maintenance being performed on this record.

E0IB0100 Add
E0IB0200 Change
E0IB0300 Delete

See "AMVT01—Item Master File Maintenance (Select)" and "AMVT04—Item Master File—Costing Information (Add/Change/Delete/Set Defaults)" for a description of the remaining fields on this form.

Item Master offline file maintenance—C-record (PM-28)

```

Item number (ITNBR) (A20)*+      -----
Buyer number (BUYNO) (A35)      -----
Account number (ACCTN) (A40)    -----
  Or
Nature (A10)                    -----
Receipt required flag (RECRQ) (N1)  -
Allowable days early (ALLDE) (N3)  ---
Tolerance % receiving position
(TOLLPO) (N3)                   ---
Weighted lead time % (WILTM) (N3)  ---
Ship via code (VIACD) (A3)       ---
Tolerance % receiving negative
(TOLPC) (N3)                    ---
Weighted delivery % (WTDEL) (N3)  ---
Alpha factor (ALPHA) (N3.3)      . ---
Weighted quality % (WTQUA) (N3)   ---
Weighted price % (WTPRC) (N3)    ---
Weighted early delivery % (WTEDL) (N3) ---
Weighted late delivery % (WTLDL) (N3) ---
Weighted overship % (WTVOS) (N3)  ---
Weighted undership % (WTUVS) (N3)  ---
Purchase Commodity
(CMDTY) (A5)                    -----
Purchase price (PURPR) (N15.4)    -----
Extended purchase item description
first 40 positions (PITDI) (A40)  -----
Extended purchase item description
last 40 positions (PITD2) (A40)  -----
Charge nature (CHGN) (A10)       -----
Pre-approved item code (A1)      -

```

*Indicates a required field.

**Use the appropriate transaction code for the type of maintenance you are going to perform.

Use form PM-28 to enter information for the Item Master C-record into an offline file.

Transaction code. A required code that indicates the type of offline maintenance being performed on this record.

E0IC0100 Add

E0IC0200 Change

E0IC0300 Delete

See "AMVT01—Item Master File Maintenance (Select)" and "AMVT05—Item Master File—Purchasing Information (Add/Change/Delete/Set Defaults)" for a description of the remaining fields on this form.

Accounting controls and audits form

Use the following form to record details about your inventory transaction batches. You should manually calculate the total number of transactions, the total quantity for all transactions and the total amount for all transactions.

After you enter the batch into the system, you can compare the totals recorded on this form to the totals generated by the system on the Inventory Transaction Register report (AMV3G). This will help ensure that all the transactions were entered and were entered correctly.

This control sheet can be used to balance inventory transaction batches.

BATCH NUMBER. The number assigned to a given set of input transactions.

TRANSACTION COUNT. A count of all transactions in the batch submitted for entry to the work station.

HASH TOTAL QUANTITY. An accumulation of the quantity or amount values of all transactions submitted for entry.

HASH TOTAL TRANSACTION AMOUNT. A hash total of the transaction amount and cost replacement amount fields on all transactions.

Contents	Index	Exit
--------------------------	-----------------------	----------------------

Chapter 16. Accounting controls and audits

Keeping control	16-1
System controls	16-2
Setting up and using controls	16-3

Keeping control

How will you maintain control over the accuracy of your files? By verifying that departmental errors are resolved, that the control logs are complete and accurate, that master file save is performed on schedule, that diskettes and tapes are labeled carefully, and that reports are properly logged and distributed.

Control procedures are therefore an essential part of the processing of your Inventory Management application. Two types of controls are discussed in this chapter. The first are the balance control totals that must be manually calculated on an adding machine to be checked later against the application-generated totals. The second are those built into the design of each application function.

The manual controls are used when the files are originally built and, on a continuing basis, as you process your daily transactions.

Because the application has built-in edits and control totals, your main responsibility is to see that they are used properly from input preparation to year-end closing. This chapter describes the controls used in Inventory Management and should be reviewed for use in your installation. Figure 16-1 is a summary of control activity.

Transaction entry controls have five major steps.

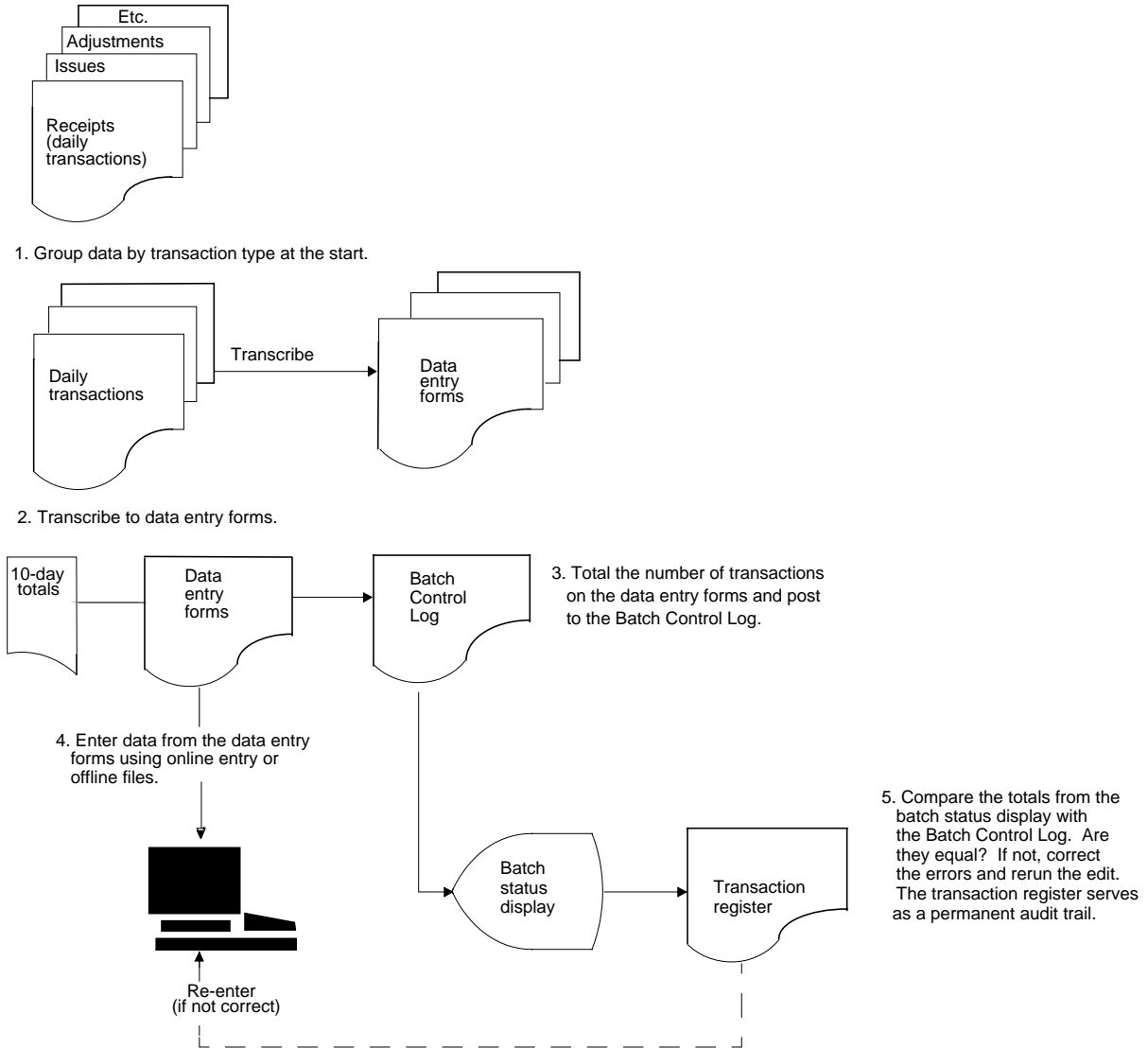


Figure 16-1. Controlling the accuracy of your data

System controls

Some controls are built into the application. It automatically checks to make certain that you request options in the proper order and complete each task. It also edits (checks) all entered data and prevents you from continuing when data fails to pass the editing.

Setting up and using controls

The totals taken manually, which will be checked later against the totals generated by the application, should be posted to a control log like the one shown in the figure below.

Table 16-1. Batch control log

Batch number	Transaction count	Hash total quantity	Hash total transaction amount
11	3	300	250.00
12	4	150	125.00

When you have finished typing in the data and editing it, check the control totals from the application against the control log. If the two agree, the data should be good, assuming there are no errors on the edit list. If the totals are out of balance, you should check the inventory edit list against the data and make the necessary corrections. If you cannot find an error, return the inventory edit list, the control log, and any other data to the clerk. Communication between you and the person supplying the data (the clerk) is necessary if final reports are to contain valid information.

To sum up, control is maintained during each activity: originating the transaction, transcribing the data, totaling the batch information, checking for completeness, entering data, and comparing the manually-generated totals with the application-generated totals for balancing. Through this type of control, you can ensure that data reporting is accurate and complete. It is well worth the few extra minutes it takes to run an adding machine tape on item quantity and cost data.

Totals on all reports printed after the original daily transaction entry can be monitored for accuracy. All inventory transactions (issues, receipts, adjustments, etc.) must be posted to the correct control form to ensure accurate balancing at month-end reporting. After the controls are posted, all other report totals, such as those on the Transaction Register, can be checked against the control log to help ensure balanced data throughout the processing cycle.

Contents	Index	Exit
--------------------------	-----------------------	----------------------

Appendix A. Offline file load and data entry

As an alternative to entering master file or transaction data interactively using MAPICS XA, you can prepare the information offline in files on a separate system. The files that you create or update offline can then be loaded into the MAPICS XA system and processed by MAPICS XA. Offline files can be created on a diskette or written to a disk file. For disk offline file load, the disk file resides on the AS/400 system, but outside of MAPICS XA. For diskette offline file load, you enter records into a file created on a floppy, or flexible, disk. The same format requirements apply to both.

To use data from offline files in MAPICS XA, you must:

- Gather the information to be entered.
- Create a file with the information on diskette or disk. The file must follow the corresponding file layout. See “Viewing and printing file record layouts” on page A-3 for instructions for obtaining the file layout.
- Load the offline files by selecting a MAPICS XA menu option.
- Close any suspended batches that contain data necessary to update master files.

This appendix describes these activities.

Gathering the information.....	A-2
Creating an offline file.....	A-2
Viewing and printing file record layouts	A-3
Entering information into the offline files.....	A-3
Loading offline files into IM.....	A-4
Entering changes and deletions	A-4

Gathering the information

See the data entry forms for offline entry in Chapter 15. "Forms". They explain exactly what information you need, and show you the format and field length of each enterable field.

Fill out the input forms as though you were going to use them to enter the data directly into the system.

Creating an offline file

You can create offline files on diskette or disk. You can create the files in several ways. For example:

- You can create the records with a user-written program on an offline data entry device, and write them to a disk or diskette file.
- You can have another system create the records on tape using the required file layout. You copy the tape file to disk or diskette.
- You can have a remote location send the records via telecommunications. You can write them to a disk or diskette file.

It does not matter how or where the records originate. As long as they reside in a disk or diskette file that has the defined file layout, they can be processed by MAPICS XA.

File format

You can print a copy of the file record layout. The layout gives you the following information for each enterable field:

- A brief description of the field
- Whether the field is alphabetic or numeric (signed or packed) (**A/S/P**)
- The starting position of the field in the record (**Start**)
- The length of the field
- For numeric fields, the number of decimal positions in the field (**Dec**).
- The short field name (6 characters).

File name

Assign a special name to each file, or use the default name listed here. You must enter the name when you load the file.

Master file to be loaded or updated	Offline file name (default)	Externally described file name
Item Balance/Item Plan file	IBLDSK	TMP113
Item Master file—A record	IMDSKTA	TMP107
Item Master file—B record	IMDSKTB	TMP108
Item Master file—C record	IMDSKTC	TMP109

Transaction file to be loaded or updated	Offline file name (default)	Externally described file name
Inventory Transaction Data Entry file	OFFTRN	OFFTRN
Inventory Transaction Data Entry file	INVENT	INVENT
Physical Inventory Data Entry file	PHVENT	PHVENT

Viewing and printing file record layouts

Use Cross Application Support to obtain a spool file of the file record layout of the file you will be working with. The following is a short version of the steps to follow. See the *CAS User's Guide* for more detailed information.

1. On the CAS main menu, select option 2 (Reports).
2. On the Reports, select option 5 (File Record Layout).
3. The Select Application panel (AMZ12) appears.
 - If you want to print layouts of all the files IM uses, select IM from the list. The file record layouts are spooled to your spool file.
 - If you want to print only specific files, use F22. The Specify files panel (AMZ122) appears. Accept the default of N in the Print characteristics field to see a brief report. Type Y if you want to see a narrative about characteristics about each field in the file. (Depending on the number of fields, this can be a lengthy report.)
4. When the reports are spooled to you, you can view or print the file layouts.

Note: You must use the name shown in the Externally Described file name column of the table in "File name" on page A-2 to obtain the file record layout.

Entering information into the offline files

Regardless of what offline method you use for entering information, the information in the files must be organized in the layout shown in the file record layout.

When you enter the information for an offline record, type in the record code shown on the input form as the first two characters of the record. All records are required unless it is specified otherwise in the formats.

Numeric fields that are packed, indicated with the letter P, have slightly different positions. In packed format, one byte can contain two decimal digits. For example, the transaction date (TRNDT) field in the OFFTRN file is a packed field. You enter the six numbers needed for this field, and the system converts it to the packed four-position length shown in the file format.

Packed fields that do not contain information for a particular record must contain zeros as place holders. Otherwise, the information entered after the packed field will not be in the proper positions and will fail the system edits conducted when you enter the offline files into IM.

If you enter dates, type them using the same date format you use for the AS/400 system and for all MAPICS XA applications.

Type the information carefully. The system will check for errors when you process the files. If it finds errors, you must correct the records with errors before you can finish processing them.

Note: See Chapter 2. "Managing Inventory Management" for information on updating location quantities.

Loading offline files into IM

When you have finished creating the offline files, you are ready to load the information onto the system. For instructions on how to load master files from offline files, see the *CAS User's Guide*.

Entering changes and deletions

Required fields for changes and deletions are sometimes different from the fields required for additions.

Use the following guidelines to make changes and deletions:

- To change a record, type in valid data for the required fields and any optional fields you want to change. Only fields containing valid data are edited and updated to the master file. Optional fields for which you do not want to make changes should be entered as either all blanks (alphanumeric fields) or all zeros (numeric fields).
- To change an alphanumeric field to all blanks, type in all asterisks (*) for that field.
- To change a numeric field to zero, type in all nines negative (999999-).
- To delete a record, type in valid data for the required fields only.

Note: To delete an item from the Item Master file, use the delete transaction code for the A record (E0IA0301) and the item number. This deletes the A, B, and C records for the item.

Changing the Item Class, Inventory Flag, Standard Batch Quantity, Unit Cost Default, and Unit Weight fields in the Item Master A record would look like the information in the table that follows:

Field entered	Field name	Value entered	Action/Reason
Change Transaction Code	TRID	E0IA0201	Required field
DAE generated sequence number	DAESQ	000000000	Numeric field with no change
MPOI generated sequence number	MPOSQ	000000000	Numeric field with no change
Level of response flag	RSPFL		Alphanumeric field with no change
Item number	ITNBR	123456789	Required field
Item description	ITDSC		Alphanumeric field with no change
Item type code	ITTYP	F	Alphanumeric field being changed
Item class	ITCLS	****	Alphanumeric field being changed to all blanks
Inventory flag	INVFG	02	Numeric field being changed
Standard batch quantity	SBQTY	00000000000	Numeric field with no change
Unit cost default	UCDEF	9999999999999999999 9-	Numeric field being changed to zero
Unit weight	WEGHT	0025730	Value of the field being changed
...			
The rest of the Item Master A record fields			

The rest of the record would be entered using the same criteria.

Item Master (ITMDKT) file

The ITMDKT file is a logical file across multiple physical files (IMDSKTA, IMDSKTB, and IMDSKTC). The A record is required. If product costing was selected during application tailoring, if MRP is installed and interfacing, or if MPSP is installed and interfacing, a B record is required. If you do not specify a B record, it is created automatically. For item type 3 and 4, the C record is created automatically unless it is entered during initial offline file load.

Note: If EPDM is interfacing with PDM, file maintenance to this file is handled through the EPDM application.

As a convenience, the three offline load physical files, IMDSKTA, IMDSKTB, and IMDSKTC, and one logical file, ITMDKT, are provided in a Save File called SFITMDKT in the AMXLIBy library . If you plan to use these files to load your offline data, you can follow these steps:

1. Restore IMDSKTA, IMDSKTB, IMDSKTC, and ITMDKT to your user library, using the following command:

```
RSTOBJ OBJ(IMDSKTA IMDSKTB IMDSKTC ITMDKT)
SAVLIB(ITMDKT) DEV(*SAVF)
SAVF(AMXLIBy/SFITMDKT)
RSTLIB(your library)
```

where y is your file library environment designator.

2. if you are entering the data on the AS/400, use Data File Utility (DFU) to establish a data entry session for each of the Item Master formats (A, B, C). Enter all data for each format (A, B, C).

If you are entering data from some other source, make sure that each position of the record has valid data according to the offline file layouts (for example, numeric fields have numeric data). If you have transferred the data to the AS/400 by way of a record-length (flat) file, you can use the copy file function (CPYF) to copy the data from the record-length file to the appropriate physical file (IMDSKTA, IMDSKTB, or IMDSKTC). Specify the "no check" option for the Record Format Field Mapping option (FMTOPT=*NOCHK).

3. Once you have put the data into the offline physical files (IMDSKTA, IMDSKTB, IMDSKTC), select Item Master offline file maintenance and select the default file (ITMDKT) in your user library as the file to load. The offline load process copies the data from the offline physical files and properly sequences the records by transaction ID and item number.
4. Once the copy file has been completed, select Item Master offline file maintenance and specify the record-length file as the file to load.

The following table gives you an overview of the Item Master records and the sequence in which they should be entered.

Sequence	Record	Description
1	A	General item information
2	B	Costing information
3	C	Purchasing information

Record type A: Item information (IMDSKTA)

The following fields are required to process an item master record.

Required field	Field name	Value required	Required for
Transaction Code	TRID	Must be E0IA0101, E0IA0201, or E0IA0301	All records
Item Number	ITNBR	Valid item number	All transaction codes
Item Description	ITDSC	Description of the item	E0IA0101 only
Item Type Code	ITTYP	Must be 0, 1, 2, 3, 4, 9, F, or K	E0IA0101 only
Unit of Measure	UNMSR	Valid unit of measure	E0IA0101 only

Record type B: Costing information (IMDSKTB)

The following fields are required for costing information. The item number must match the item number you enter for the A record.

Required field	Field name	Value required	Required for
Transaction Code	TRID	Must be E0IB0100, E0IB0200, or E0IB0300	All records
Item Number	ITNBR	Valid item number	All transaction codes

Record type C: Purchasing information (IMDSKTC)

The following fields are required for purchasing information. The item number must match the item number you enter for the A record.

Required field	Field name	Value required	Required for
Transaction Code	TRID	Must be E0IC0100, E0IC0200, or E0IC0300	All records
Item Number	ITNBR	Valid item number	All transaction codes

Contents	Index	Exit
--------------------------	-----------------------	----------------------

Appendix B. Summary of IM functions

General Frequency	Menu	Menu Option	Description	Online/ Job Queue	Required/ Optional	Notes before running this option	Notes after running this option
At installation	AMIM70	8	Calendar	JQ	R	This file is required if you selected purchase order or manufacturing order tracking during application tailoring.	Options 1 through 5 of menu AMIM78 should be run to add holiday information. Then, run option 8 of menu AMIM78 to update this information into the Calendar file.
	and AMIM78	6	Initialize five year table				
	AMIM70 and AMIM78	8	Calendar	OL	R	Option 6 of menu AMIM78 must be run.	Option 8 of menu AMIM78 must be run to update the Calendar file information entered.
		1	Display/update the first year table				
		2	Display/update second year table	OL	O		
		3	Display/update third year table	OL	O		
		4	Display/update fourth year table	OL	O		
		5	Display/update fifth year table	OL	O		
		8	Recreate Calendar file	JQ	R		

General Frequency	Menu	Menu Option	Description	Online/ Job Queue	Required/ Optional	Notes before running this option	Notes after running this option																																					
Daily/ weekly	AMIM30	1	Entry	OL	R	At least one type of entry is required; all types may be used. These options are used for entering purchase order receipts and manufacturing order receipts and issues and miscellaneous adjustments to inventory. Receipts and issues can be entered only against orders that have been released using option 2 or 3 of menu AMIM40.	To complete any of these entry cycles, option 3 of menu AMIM30 must be run. It can be run immediately after closing the batch or at a time when there are multiple closed batches ready for update. If you chose immediate update of online entry batches (during application tailoring), option 3 of menu AMIM30 must still be run to print the transaction register and modify the batch status. Option 1 of menu AMIM30 is required after option 2 of menu AMIM30 to close the offline file batch.																																					
	and/or AMIM30	2	Entry from offline files	JQ					AMIM30	3	Transaction Register	JQ	R	Only closed batches are available for update (transaction register). Update can be run after each batch is closed or at a time when there are multiple batches ready for update. Update processes all batch types closed using option 1 of menu AMIM30.	The Inventory Transaction Register is printed.		AMIM30	4	Quality control transactions	OL	R	Receiving transaction may be run from AMIM30 option 1.	The location is changed to an approved or rejected status.		AMIM30	5	Discrete allocation worksheet initiation	JQ	O	Transaction entry menu AMIM30, option 1, should be completed.	Menu AMIM30, option 6, Discrete allocation, is run.		AMIM30	6	Discrete allocation	OL	O	Discrete allocation worksheet initiation, option 5, must be run.			AMIM30	7	Miscellaneous item transactions	OL
	AMIM30	3	Transaction Register	JQ	R	Only closed batches are available for update (transaction register). Update can be run after each batch is closed or at a time when there are multiple batches ready for update. Update processes all batch types closed using option 1 of menu AMIM30.	The Inventory Transaction Register is printed.																																					
	AMIM30	4	Quality control transactions	OL	R	Receiving transaction may be run from AMIM30 option 1.	The location is changed to an approved or rejected status.																																					
	AMIM30	5	Discrete allocation worksheet initiation	JQ	O	Transaction entry menu AMIM30, option 1, should be completed.	Menu AMIM30, option 6, Discrete allocation, is run.																																					
	AMIM30	6	Discrete allocation	OL	O	Discrete allocation worksheet initiation, option 5, must be run.																																						
	AMIM30	7	Miscellaneous item transactions	OL	O																																							

General Frequency	Menu	Menu Option	Description	Online/ Job Queue	Required/ Optional	Notes before running this option	Notes after running this option	
Daily/weekly (continued)	AMIM30	8	Invoices to Goods Received Notes	OL	O	Receipts against GRNs must be processed.	GRNs are tagged with corresponding invoice number.	
		AMIM40	1	Order entry	OL	O	Entry of purchase orders is supported only if, in the Install/Tailor Questionnaire, you answered YES to the question on order tracking support for purchase orders. Entry of manufacturing orders, both regular and split, is supported only if, in the Install/Tailor Questionnaire, you answered YES to the question on order tracking support for manufacturing orders. This option is used to enter purchase or manufacturing orders.	To complete an entry cycle, purchase and/or manufacturing order entry, option 2 or 3 of menu AMIM40, must be run to update the files and release the order. It can be run immediately after closing the batch or at a time when there are multiple closed batches ready for update.
		AMIM40	2	Order release	OL	O	Only closed batches are available for order release (update). Order release can be run after each batch is closed or at a time when there are multiple batches ready for order release. Both purchase orders and manufacturing orders must be released. A Calendar file must be available (option 8 of menu AMIM70). This file is used in calculating follow-up dates for purchase orders and component required dates for manufacturing orders.	Options 4, 5 and/or 6 of menu AMIM40 can now be selected, as can option 1 of menu AMIM30.
		3	Order release with shop packet	OL				

General Frequency	Menu	Menu Option	Description	Online/ Job Queue	Required/ Optional	Notes before running this option	Notes after running this option
Daily/weekly (continued)	AMIM40	4	Create shop packet	JQ		A shop packet is printed for only those manufacturing orders that have been released using option 2 or 3 of menu AMIM40. Option 1 of menu AMIM44 prints shop packets for only those orders that have not had shop packets previously printed.	A picking slip of items for the manufacturing order or orders selected is printed. If PC&C is interfacing, worksheets are printed which also list operations and miscellaneous charges.
	and AMIM44	1	Multiple order selection		O		
	AMIM40	5	Order closeout selection	OL/JQ	O		
	AMIM40	6	Order closeout report and purge	JQ	R	Orders must have been selected for closeout (option 5 of menu AMIM40). If PC&C is installed and interfacing, it is recommended that this be done at regularly scheduled intervals.	The closeout reports are printed. If PC&C is installed, additional costing reports are printed.

General Frequency	Menu	Menu Option	Description	Online/ Job Queue	Required/ Optional	Notes before running this option	Notes after running this option
Monthly/ yearly	AMIM60	1	Period end/ year end close	JQ	R	Make sure that all transactions for this period have been entered (option 1, 2 and 3 of menu AMIM30). Make sure that all desired sequences and limits of this report are requested before indicating that this will be the last report this period. The figures will no longer be available after indicating that this is the last report.	Estimated annual usage, average sales per period, and average period-end balance are recalculated. Period-to-date figures in the Item Balance file are reset, also year-to-date figures if year end occurs. The entire Item Balance file is updated, regardless of the report limits entered.
Yearly	AMIM60	2	LIFO/FIFO valuation report	OL	R		Prints the LIFO/FIFO Valuation Report. If any items are not valued, run option 3 of menu AMIM60. Then use LIFO/FIFO Transaction file maintenance (option 4 of menu AMIM60) to apply cost adjustment amounts to previously entered receipt transactions with no amounts.
	AMIM60	3	LIFO/FIFO transaction purge and list	JQ	R		Records are listed and/or purged from the LIFO/FIFO transaction file.
	AMIM70 and AMIM78	8 7	Calendar Add new year to table	JQ	R	Adds an additional year at the end of the Calendar file and deletes the first year from the Calendar file. Make sure that the first year table is no longer needed before adding a new year.	Run option 5 of menu AMIM78 to add holiday codes to the initialized fifth year table. Then run option 8 of menu AMIM78 to update the Calendar file.
	AMIM70 and AMIM78	8 5	Calendar Display update fifth year table	OL	R	Use option 6 of menu AMIM78 to initialize the fifth year table.	Option 8 of menu AMIM78 is required to update the Calendar file.

General Frequency	Menu	Menu Option	Description	Online/ Job Queue	Required/ Optional	Notes before running this option	Notes after running this option
Yearly (continued)	AMIM70	8	Calendar	JQ	R	One of the first seven options of menu AMIM78, required to create and maintain the Calendar table, must be run.	
	and AMIM78	8	Recreate Calendar file				
As needed	AMIM10	All	Inquiry	OL	O	Inquiries related to open orders reflect only those orders that have been previously updated using option 2 or 3 of menu AMIM40.	
	AMIM10	11	Discrete allocations	OL	O		
	AMIM20	All	Reports	JQ	O	These reports reflect only information that has been updated by option 2 or 3 of menu AMIM40 and option 3 of menu AMIM30.	
	and/or AMIM21 AMIM22		Status and analysis reports	JQ	O		
	and/or AMIM23	All	File listings	JQ	O		These reports reflect file maintenance and other activity against the master file.
	AMIM50	1	Total physical selection and/or	JQ	O	It is recommended that this be done at regularly scheduled intervals.	The Cycle Count or the Physical Inventory List is printed on your selection of option 1 or 2 of menu AMIM50. These lists can be used as the turnaround document for updating item on hand balances.
		2	Cycle count selection	JQ	O		
	AMIM50	3	Entry and/or	OL	R	Use option 1 or 2 of menu AMIM50 to print the Physical Inventory/Cycle Count list. It can be used as the input document for this option.	Option 5 of menu AMIM50 is optional. To complete physical inventory, option 6 of menu AMIM50 must be run. It can be run immediately after closing one batch or at a time when there are multiple closed batches ready for update. Option 3 of menu AMIM50 is required after option 4 of menu AMIM50 to close the offline file batches.
		4	Entry from offline files	JQ			

General Frequency	Menu	Menu Option	Description	Online/ Job Queue	Required/ Optional	Notes before running this option	Notes after running this option
As needed (continued)	AMIM50	5	Variance report	JQ	O	This option can be selected only after option 3 or 4 of menu AMIM50 has been run, and before option 6 of menu AMIM50 is run.	This report may be run as many times and in as many sequences as needed before option 6 of menu AMIM50 is run.
	AMIM50	6	Physical inventory update	JQ	R	Option 6 of menu AMIM50 must be run. Only batches closed using option 3 of menu AMIM50 are available for update.	The on hand balances in the Item Balance and Location Quantity files are updated to reflect the physical inventory counts and a Transaction Register is printed.
	AMIM60	4	LIFO/FIFO maintenance	OL		File maintenance is limited to use by one work station at a time per file.	
	and/or AMIM70	1	Item master				
		2	Item balance	OL		Example: One work station can be maintaining the LIFO/ FIFO Transaction file while another work station is maintaining the Item Master file, but the second work station cannot also be maintaining the LIFO/ FIFO Transaction file.	
	and/or AMIM70	3	Purchase order item detail	OL			
	and/or AMIM70	4	Purchase order blanket release detail	OL	O		
	and/or AMIM70	5	Mfg order master	OL			
	and/or AMIM70	6	Mfg order detail	OL	O		
	AMIM70	7	Shop packet reprint	JQ		Manufacturing orders that have been released using option 2 or 3 for menu AMIM40 are the only orders that can be selected. This option serves the same function as option 2 of menu AMIM44.	A picking list of items for the manufacturing order or orders selected is printed.
	AMIM70	9	Location control	JQ	O	Changes QC or FIFO dates or accepts a previously rejected batch.	
	and/or AMIM79	1	Batch/lot quality control status	JQ	O		
As needed (continued)		2	Batch/lot numbers	JQ.	O	Changes batch/lot numbers.	

General Frequency	Menu	Menu Option	Description	Online/ Job Queue	Required/ Optional	Notes before running this option	Notes after running this option
		3	Location detail	JQ	O	Creates or maintains locations within a warehouse.	
		4	Quality control areas	JQ	O	Creates or maintains a quality control area.	
		5	Bulk store areas	JQ	O	Creates or maintains a bulk store area.	
		6	Location quantity audit	JQ	O	Prints the Location Quantity/Item Balance Audit report.	
AMIM70	10		On-order quantity audit	JQ	O	Validates quantities on-order between the Item Balance file and the Purchase Order Item Detail and Manufacturing Order Master files.	Updates the Item Balance file to correct discrepancies between these three files and prints any differences found.
AMIM70	11		Allocation quantity audit	JQ	O	Validates allocation quantities between the Item Balance file and the Manufacturing Order Detail file.	Updates the Item Balance file to correct discrepancies found between these two files and prints any differences found.
AMIM70	12		Work With Warehouses	OL	R	Creates a record for each warehouse you will be using.	
AMIM70	14		Offline Maintenance	JQ	O	Allows offline file maintenance for Item Master and Item Balance/ Item Plan files.	
AMIM80	1		Transaction history inquiries	OL	O	Inquires into the Transaction History Save file reflect only those transactions that were posted before the inquiry. Inquiries can include restored transactions (optional).	
AMIM80	2		Transaction history reports	JQ	O	Transaction history reports print only those transactions that were posted before the report was selected. Reports can include restored transactions (optional).	

General Frequency	Menu	Menu Option	Description	Online/ Job Queue	Required/ Optional	Notes before running this option	Notes after running this option
	AMIM80	3	Purge/Save transaction history	OL	O	Be sure that all transactions you want to purge, save, and print were processed by the Transaction register (option 3 on menu AMIM30). Any physical inventory transactions that you want included should be fully processed prior to running the purge.	Transactions are purged from the Transaction History Save file. The report (optional) prints all transactions that were purged. Purged transactions are saved to tape.
		4	Restore transaction history	OL	O	Restore transactions that were purged using option 3 of menu AMIM80.	Transactions are added from tape to the Restored Transactions History file.
		5	Delete restored transaction history	OL	O	Deletes transactions that were added using option 4 of menu AMIM80.	
		6	Delete transaction history archive records		O	Deletes Transaction Archive Control records.	
	AMIM90	1	Items				

General Frequency	Menu	Menu Option	Description	Online/ Job Queue	Required/ Optional	Notes before running this option	Notes after running this option
	AMIM90	2	Item warehouses				
		3	Item locations				
		4	Item allocations				
		5	Discrete allocations				
		6	Warehouses				
		7	Warehouse locations				
		8	Warehouse items				
		9	Location items				
	AMIMA0	1	Inquiry	O	O	Inquires into the manufacturing orders and schedules history information.	
		2	Reports	JQ	O	Produces Production Summary or Detail, Accounting Summary or Detail, or REP Schedule history reports for selected orders in history.	
		3	Archive processing	O	O	Archives or restores manufacturing order history information.	
	AMIMB0	1	Account assignment rule management				
		2	Transaction account assignment				
		3	General Ledger management				

Appendix C. Entry/release process for orders and schedules

In MAPICS XA, the term release has different meanings in different applications. This appendix describes the entry and release process in the applications using it. This appendix has two parts: an overview and a detailed explanation for each application

Overview.....	C-1
Summary	C-6
Details.....	C-7

Overview

The following MAPICS XA applications have order or schedule entry, create, and/or release functions:

- InterSite Logistics (ISL/MISL)
- Inventory Management (IM)
- Material Requirements Planning (MRP)
- Order-Based Production Management (OBPM)
- Procurement Management (PM)
- Production Control and Costing (PC&C)
- Purchasing (PUR)
- Repetitive Production Management (REP)

Order release refers to releasing manufacturing orders, purchase orders, and intersite orders. Orders may be created by an application such as MRP or entered through a work station as in IM and then released. The **creation or entry** of the order puts information such as order number, part number, quantity, and due date into data entry batches. When you release the order, the open order files are updated with the information you entered along with other application generated information.

Schedule release refers to releasing manufacturing schedules (in REP) similar to the order release process used by manufacturing orders. However, it differs in the way in which schedules are entered and selected for release. The entry process does not use data entry batches, but instead uses a method of processing that bypasses the need for batch control.

Key elements to a manufacturing schedule are warehouse, production line, finished item, the quantity of the item to be built on the line, and the day the quantity is expected to be completed. When the schedule is released, the release process sets up the necessary database records to begin production. In addition to the release, the schedule must also be primed. Priming can be specified at the time of release or done later. Priming must occur before schedules can be reported against.

Releasing a manufacturing order authorizes production to begin on the order; therefore, the shop paperwork is usually produced at this time also. Releasing an intersite order authorizes the supplying warehouse to ship items to you. Releasing a purchase order authorizes a vendor to ship products to you or to perform services for you. Releasing either manufacturing orders, purchase orders, intersite orders, or schedules creates records in the open order files to track and report progress and costs.

The IM application is the cornerstone of order and schedule information. ISL/MISL, MRP, OBPM, PC&C, PM, PUR, and REP all have IM as a prerequisite. The order release functions of MRP and PC&C enhance order releasing in IM by supplying

additional release function while REP's release function is all contained within its application. REP also depends on EPDM or PDM to define production lines, reporting points, and component materials used in the manufacturing process. For IM and PC&C, EPDM or PDM are optional applications.

Manufacturing orders

Inventory Management

Releasing a manufacturing order in IM creates an order master record and an order detail record to hold the allocation information for each component required to complete the order. If the EPDM or PDM application are activated or interfacing, the allocations can optionally be created at order entry or at order release using bill of material information. If EPDM is activated, you can choose an item process to use with the order. Once the order is released, issues of the components are reported through IM and used to update the order detail records and the master record.

Material Requirements Planning

MRP recommends that you release a manufacturing order based on the lead time and the future requirements for the item. Using the MRP order/schedule review and release function, you can approve an order for release. If EPDM is activated, you also can change its item process prior to releasing the order. IM is notified then and actually creates the open order records using its order release process.

Order-Based Production Management

OBPM provides a customizable client interface to creating manufacturing orders. It provides most of the order entry and release function in IM, MRP, and PC&C. In addition, it provides a Reorder Recommendation object that lets you create orders easily for order point items requiring replenishment. It also allows you to copy existing released manufacturing orders or manufacturing history orders to create a new order. OBPM works with either EPDM or PDM.

OBPM also allows maintenance of all types of manufacturing order information, updating the IM and PC&C files.

Production Control and Costing

By itself, PC&C cannot create or release manufacturing orders; it can, however, complete the order release process begun by IM.

There are four basic types of information about a manufacturing order in MAPICS:

- Master data
- Material (component or allocation) data
- Operation (routing) data
- Miscellaneous charges.

In order release, IM controls the master and material information, and PC&C controls the operation routing and miscellaneous charge information.

During IM order release, you can create routings and enter miscellaneous charges as part of the order release process, or you can defer to PC&C to create routings and enter miscellaneous charges at a later time. If you choose to create routings as part

of the IM order release process, IM either calls a standard routing from EPDM or PDM routing files or allows you to type in an alternative routing. IM then passes the routing and any miscellaneous charges to PC&C programs, which automatically complete order release.

If you choose not to enter routing information or miscellaneous charges during IM order release, perhaps because the data is not available or must be provided by another department, you can create the master and material records through IM and then add the routing information and miscellaneous charges later using PC&C's order release options.

In either case, once order release is complete, you must make any further changes to the files through PC&C's file maintenance.

Purchase orders

Inventory Management

When a purchase order is released in IM, records are created in the open order files for tracking receipts against the order. IM does not print the actual purchase order. Once PUR or PM is installed, all purchase orders must be entered through one of those applications..

Material Requirements Planning

MRP recommends the release of purchase orders in the same way that it handles manufacturing orders. Using the MRP order/schedule review and release function, you can authorize the release of a purchase order for an item. IM recognizes this activity and creates the open order records.

If Purchasing is installed and interfacing, you may choose to automatically create purchase orders and requisitions from the MRP planned order file of orders that have been recommended for release. If a requisition is created, the requisition number is posted into the MRP Planned Order file and the order becomes a firm planned requisition order. Then, PUR or PM can use the requisitions to create purchase orders after being reviewed by a buyer.

Order-Based Production Management

OBPM provides a customizable client interface to creating purchase orders and requisitions from two client objects:

- MRP Recommendations (uses the MRP files)
- Reorder Recommendations (an OBPM file)

OBPM requires PM for these capabilities, and uses PM function to create and maintain purchase orders.

Procurement Management

PM provides a customizable client interface to creating and maintaining purchase orders and requisitions. It allows you to combine multiple requisitions on one purchase order. It also allows you to copy existing purchase orders or purchase history orders to create a new order.

Purchasing

When a purchase order is entered in Purchasing, order header and detail records are immediately created in the open order files. There is no separate process to release the purchase order.

Intersite orders

InterSite Logistics

InterSite Logistics (ISL/MISL) can release orders if MRP is not installed, or in exceptional circumstances, where there is no time to wait for an MRP order release or for an MRP planning run, if there is no planned order to release. The intersite order and the associated COM customer order in the supplying warehouse are created.

Inventory Management

IM cannot create or release intersite orders. In fact, intersite orders are almost invisible to IM except that, since intersite orders are scheduled receipts being shipped from offsite, ISL/MISL maintains the quantity on order from intersite orders for an item as part of the on order from purchasing field in the Item Balance file. Therefore, the IM total on order for an item includes intersite orders.

Material Requirements Planning

Typically it is best to release intersite orders in MRP, or in OBPM, the same way manufacturing and purchase orders are released. Minimal data entry is required using the review/approve and release functions, and the MRP files are updated as well. ISL/MISL interfaces with these functions, and creates the intersite order and the associated COM customer order in the supplying warehouse.

Order-Based Production Management

OBPM provides a customizable client interface to creating intersite orders from two client objects:

- MRP Recommendations (uses the MRP files)
- Reorder Recommendations (an OBPM file)

OBPM requires InterSite Logistics for these capabilities, and uses ISL/MISL functions to create and maintain intersite orders.

Manufacturing schedules

Material Requirements Planning

Within MRP, you can review planned orders and exception messages related to schedule controlled items. However, you cannot release these planned orders, since this function is done solely from REP's Release Schedules menu option.

To assist you in working with MRP planned orders, REP provides an Extract Schedule Requirements menu option that copies the MRP planned orders to REP. Within REP, the MRP planned orders are shown as demand on the Enter and Maintain Schedules

display. From this display, you can view "demand" and create or adjust schedules individually, or accept all demand as is, which automatically creates or adjusts schedules equal to demand. This latter function is known as Accept Proposed Change.

Repetitive Production Management

Enter and Maintain Schedules is the focal point for determining manufacturing schedules based on an item's demand. Once these schedules are determined and entered, they can be released later through REP's Release Schedules menu option. This option allows a user to select by warehouse, production line, and horizon dates, which schedules are candidates for release. In addition, you can specify if a schedule is to be automatically primed when it is released and if component shortage reports are to be printed.

Summary

For your daily operations, the applications you have installed and activated determine which entry and release activities you perform and which applications you use for those activities. The following table shows the recommended application in which to start order or schedule release for the various combinations of installed applications.

Orders/schedules	IM	IM MRP	IM PC&C	IM PC&C MRP	IM PUR	IM PUR MRP	IM EPDM/ PDM REP	IM EPDM/ PDM REP MRP	IM ISL/MISL MRP
Manufacturing orders									
Master data	IM	MRP	IM	MRP	IM	MRP	IM	MRP	MRP
Material data (allocations) ^a	IM	MRP	IM	MRP	IM	MRP	IM	MRP	MRP
Routing data ^b	n/a	n/a	IM or PC&C	MRP or PC&C	n/a	n/a	n/a	n/a	n/a
Miscellaneous charges ^c	n/a	n/a	IM or PC&C	IM or PC&C	n/a	n/a	n/a	n/a	n/a
Purchase orders									
Purchase orders	IM	MRP	IM	MRP	PUR	PUR	IM	MRP	MRP
Receiving routing	n/a	n/a	n/a	n/a	PUR	PUR	n/a	n/a	n/a
Intersite orders									
Intersite orders	n/a	n/a	n/a	n/a	n/a	n/a	n/a	n/a	MRP
Schedules									
Material data	n/a	n/a	n/a	n/a	n/a	n/a	REP	REP	MRP
Routing data	n/a	n/a	n/a	n/a	n/a	n/a	REP	REP	n/a
Replenishment data	n/a	n/a	n/a	n/a	n/a	n/a	REP	REP	n/a

Legend:
n/a not applicable

- If EPDM or PDM is activated or interfacing, you can use the bill of material to create the allocation records in the open order files.
- If EPDM or PDM is activated or interfacing, you can use the standard routing to create the operation records in the open order files. With EPDM activated, you can override the default item process with an alternate.
- If AP or IFM is installed and interfacing, you can add miscellaneous charge records to the open order files at a later time through AP or IFM.

Notes:

- OBPM is not included in the above table because it provides a customizable client interface as an alternative to creating manufacturing, purchase, and intersite orders using the "base" applications shown in the table. IM and PC&C are always required for OBPM, and ISL/MISL, MRP and PUR or PM are required for certain OBPM functions.
- PM is not included in the above table because it provides a customizable client interface as an alternative to creating purchase orders using PUR, which is required for PM.

Details

The open order data base

All orders and schedules are stored in the open order data base.

- Manufacturing orders have a record in the Manufacturing Order Master file indicating the item to be made, a record in the Manufacturing Order Detail file for each component that goes directly into making that item, and a record in the Manufacturing Order Routing Detail file where one record per operation is stored.
- Purchase orders have one record in the Purchase Order Item Detail file for each item to be purchased. If the item is to be shipped in several installments through a blanket order, there is a record in the Purchase Order Blanket Release Detail file for each shipment, or release, of that blanket order. If Purchasing is installed and interfacing, each purchase order has a record in the Purchase Order Master file and at least one record in the Purchase Order Item Detail file.
- Intersite orders have a record in the Intersite Order file and an associated COM order in the supplying warehouse for the item being transferred.
- Schedules entered but not released are called unreleased schedules. They are reserved in the MOMAST order master file as status 00 records. These records are created when the schedule is initially entered in Enter and Maintain Schedules. When the schedule is released, the status code changes to a status 10 and component records are created in the MODATA allocation file based on the item's bill of material in the PSTRUC product structure file. In addition, operation records are created in the MOROUT operations file from the routing records for the finished item in EPDM or PDM. If priming is selected, replenishment records are created based on a component's supply rules as defined in the ITMLIN item/line definition file.

InterSite Logistics order release

Intersite orders can be released either from planned orders in MRP using the review/approve and release functions, or in ISL/MISL using the work orders and release functions. In either case, an intersite order record is created in the Intersite Order file and an associated COM order is created in the supplying warehouse.

Inventory Management order release

Manufacturing orders. If the IM-to-EPDM or PDM interface is activated, IM order entry allows you to bypass the individual entry of each of the components needed on a manufacturing order. If you enter REL or NOW in the manufacturing order entry field **B/M**, IM order release uses the parent item number and, through the Item Master file, retrieves from the Product Structure file all the component items needed to manufacture that item. This is single-level retrieval. If EPDM is activated and the order is associated with a site, the process identifier determines which bill of material is used to retrieve the component items needed.

The parent item is copied, along with other master manufacturing order data, into a record in the Manufacturing Order Master file. Each component item is copied, along with extended order quantity and unit cost data, into a record in the Manufacturing Order Detail file. The method of unit costing to be used is determined during application tailoring. The Manufacturing Allocated Quantity field (MALQT) for component items and the On-Order Production Quantity field (MPRPQ) for parent items in the Item Balance file are updated at the end of order release.

If the IM-to-PC&C and IM-to-PDM interfaces are activated and PDM has its optional Routing file, IM order entry allows you to bypass the individual entry of each of the operations needed on a manufacturing order. When YES appears in the manufacturing order entry field **RTG**, IM order release uses the parent item number and, through the Item Master file, retrieves from the Routing file all the operations (including inactive) to manufacture that parent item. If EPDM is activated and the order is associated with a site, the process identifier determines which routing is used to retrieve the operations.

Operation times from the Routing file and rates for those operations from the Work Center Master file are copied into a record in the Manufacturing Order Routing file for each operation.

In addition, if the IM-to-PC&C interface is activated, IM order entry allows you to enter miscellaneous data. This includes anything not covered by assigned material or labor, such as consumable supplies or outside operations. Any miscellaneous data from IM order entry is put into the Manufacturing Order Miscellaneous Detail file by IM order release.

At the conclusion of IM order release, you can print shortage reports that indicate shortages on manufacturing orders, if you specified those reports during installation.

Purchase orders. IM allows you to track purchase orders that you create manually. Data about the purchase order is entered in IM order entry.

You also can enter purchase orders with blanket releases. If you enter YES in the purchase order entry field **BLNKT**, you see a display on which you enter due date and quantity for each blanket release. These orders can be for individual items only; you can have only one item number on any one blanket purchase order.

For each item number/warehouse combination, IM order release copies the purchase order data into a record of the Purchase Order Item Detail file; each of the blanket releases for the purchase order has its own record in the Purchase Order Blanket Release Detail file.

The On-Order Purchase Quantity field for parent items in the Item Balance file is updated at the end of order release.

Consigned or subcontracted orders (where material is supplied to the vendor) should be handled as manufacturing orders.

If Purchasing is interfacing, the IM Reorder Report can generate purchase orders automatically and send them to PUR.

Split orders. You may need a portion of an existing manufacturing order quantity before it is due, or you may need to start work on a manufacturing order that is short some components. IM allows you to split off a portion of the manufacturing order and send it ahead. You can have up to nine splits per manufacturing order. IM order release creates one additional record in the Manufacturing Order Master file for each split order while updating the Quantity in Split Orders field in the base (original) manufacturing order's Manufacturing Order Master file record. The materials (components) on a manufacturing order are assumed to be issued to the base order, so no material records are automatically created in the Manufacturing Order Detail file for split orders. If EPDM is activated, you can split an order associated with a site as long as the split is for the same site and item revision.

If the IM-to-PC&C interface is activated, you specify the beginning operation for the split order in IM or PC&C. However, if you decide to split an order after activity has been reported on the original order and you are using milestone reporting, this splitting can be done only before or at a milestone start operation or after a milestone stop operation.

Manufacturing order per customer order. This IM function requires both the IM-to-EPDM or PDM and IM-to-COM interfaces to be activated. If you enter the customer order number on the IM order entry display, each release on that customer order appears for approval. Pressing the **Enter** key causes action identical to that of entering a manufacturing order with B/M = REL or NOW. It also puts the customer order number in the Customer Job Number field in the Manufacturing Order Master file. B/M = KEY is not allowed here if the end item has features and options.

IM order release is the same as for regular manufacturing orders.

Customer orders can be for standard items, items with features/options, or items configured by the Knowledge Based Configurator (KBC). For standard items, you can use any option available regarding the bill of material and routing for the item, depending on whether EPDM or PDM is in use.

For items with features/options, the bill of material that was determined when the customer order was entered (and stored with the customer order) is used for the manufacturing order.

For KBC configured items, the bill of material and routing for the item that were built by KBC when the customer order was entered (and stored in KBC) are used for the manufacturing order.

Summary—Inventory Management order release.

- Reads the Order Release Data Entry file for order data entered through IM.
- Completes the creation of master records (started in IM order entry): Manufacturing Order Master records for manufacturing orders and Purchase Order Item Detail records for purchase order items.
- Creates detail records: Manufacturing Order Detail records for manufacturing order component items and Purchase Order Blanket Release Detail records for purchase order blanket releases.
- Prints shortage reports specified in the IM Questionnaire.
- Updates the Manufacturing Allocation Quantity (MALQT) field for component items in the Item Balance file.
- Updates the On-Order Production Quantity (MPRPQ) field and the On-Order Purchase Quantity (MPUPQ) field for purchase order items in the Item Balance file.

Note: The orders that are released are only those entered through IM order entry; no planned orders from MRP are handled by order release selected from IM.

At the conclusion of order release, all closed batches in the Order Release Data Entry file have their status changed to finished (if REUSE = NO) or available (if REUSE = YES).

Material Requirements Planning order release

MRP has no order entry. It generates requirements for components of master level items (MLIs) based on MLI requirements entered, propagated, or accepted from Master Production Schedule Planning (MPSP). The on-hand and on-order quantities by date are subtracted from requirements generated, and the net requirements then are offset by lead time, resulting in dated planned orders. If EPDM is activated, the primary item process that is active on the planned order's start date is assigned to the order. Since planned orders are suggestions only, someone must indicate agreement with MRP through Review/Approve and then run order release from MRP.

Summary—Material Requirements Planning order release.

- If the MRP-to-IM interface is activated, calls the IM order release procedure and copies planned orders from the Order Review file to Batch 999 of the Order Release Data Entry file. Batch 999 is reserved for this purpose. If the MRP to IM interface is deactivated, orders cannot be released using this interface.
- Prints the Order Action Detail report for those planned order exceptions that could not be performed. This report is needed to do file maintenance in IM to existing manufacturing and purchase orders.
- If the MRP-to-IM interface is activated, updates the Planned Order and Order Review files to reflect newly released manufacturing and purchase orders and adjusts in the Requirements file any associated component requirements that were generated by the MRP planning run. These requirements now have been allocated. If the MRP-to-IM interface is deactivated, prints the Planned Order Error List, showing planned orders approved but not released.
- If ISL/MISL is installed, releases intersite orders and associated COM orders in the supplying warehouse, and updates the Planned Order and Order Review files accordingly.
- If the MRP-to-MPSP interface is activated, component-generated requirements will be adjusted based on the quantity of the order that was released and on the amount of the component allocations. Planned and firm planned orders are adjusted in MPSP by the amount of the order released in MRP. Planned and firm planned orders are updated to show that the orders are released.
- If EPDM is activated, you can override the primary item process with an alternative item process before releasing the order.

Order-Based Production Management order create

- **Manufacturing orders.** OBPM allows manufacturing orders to be created from item warehouse records, customer order line items, MRP planned orders, and from the OBPM Reorder Recommendations object containing order point items requiring replenishment. It also allows you to copy an open manufacturing order or manufacturing history order to create a new order. While creating the order, you can use bills of material and routings from either EPDM or PDM, or import them from other items or manufacturing orders.
- **Purchase orders.** OBPM allows purchase orders to be created, if PM is installed, from MRP planned orders and from the OBPM Reorder Recommendations object containing order point items requiring replenishment.
- **Intersite orders.** OBPM allows intersite orders to be created, if ISL/MISL is installed.

In all cases, OBPM creates the order directly in the IM, PUR, or ISL/MISL files.

Procurement Management order create

- Purchase orders. PM allows purchase orders to be created from one or more requisitions and, if OBPM is installed, from MRP planned orders and from the OBPM Reorder Recommendations object containing order point items requiring replenishment.

PM creates the order directly into the PUR files.

Production Control and Costing order release

PC&C by itself cannot create or release manufacturing orders. Rather, it allows you to split order release between two departments, Inventory and Production Control, so that Production Control can make last-minute decisions on which work centers to use, based on backlog or on the availability of facilities.

Because of this flexibility, you can choose either to release the order entirely through IM or to complete the release of the order through PC&C. The method you use is determined by your company's policy, but the difference is largely a matter of whether you choose to establish routings through IM or through PC&C. You can also enter miscellaneous charges through either application.

- **Order release completed by IM.** If you choose to use standard routings by answering yes to the routing question on display AMI4A4 (RTG=Y), IM automatically releases the order by creating a manufacturing order record in the Manufacturing Order Master file (MOMAST), retrieving standard routing information from PDM's Routing file (ROUTNG), and passing that information to PC&C's order release programs. These programs create a routing record in the Manufacturing Order Operation Detail file (MOROUT). If you have entered miscellaneous charges, records are also created in the Manufacturing Order Miscellaneous Detail file (MOMISC). As far as the operator is concerned, the order is released completely through IM; PC&C's part in order release is not visible. Any changes to the miscellaneous detail or to the routings can be entered later through PC&C's file maintenance.

If you choose not to use standard routings (RTG=N), you can type in alternative routings and miscellaneous charges, if there are any. IM releases the order automatically, using PC&C's programs, but without using PDM's standard routings. Records are created in the Manufacturing Order Master file (MOMAST), in the Manufacturing Order Operation Detail file (MOROUT), and, if there are miscellaneous charges, in the Manufacturing Order Miscellaneous Detail file (MOMISC). Any changes to these files can be made later using PC&C's file maintenance.

- **Order release completed by PC&C.** If you choose not to use standard routings (RTG=N), but do not choose to type in alternative routings or miscellaneous charges through IM, IM passes the order to PC&C for completion of the order release process. In this case, IM creates records in the Manufacturing Order Master file (MOMAST), but not in the Manufacturing Order Operation Detail file (MOROUT) or the Manufacturing Order Miscellaneous Detail file (MOMISC).

Whoever is responsible for decisions about routings, operation sequence, and miscellaneous and labor charges can complete the release of the order using PC&C's order release options.

In PC&C, as in IM, if EPDM or PDM is also activated or interfacing, you can choose standard routings by typing Y in the SELECT ROUTING field on the PC&C Order Release—Summary Selection display (AMC200), or you can enter alternative routings.

You can enter miscellaneous charges in PC&C on the Order Release—Miscellaneous Detail display (AMC202); or, if AP or IFM is installed and interfacing, you can record miscellaneous charges using those applications.

Whether you complete order release through IM or through PC&C, you can release an order only once. Once miscellaneous detail records are written to MOMISC, or operation details to MOROUT, you must make all changes through file maintenance.

Summary—Production Control and Costing work file release. • Reads the Order Release Data Entry file for operation and miscellaneous data entered.

- Creates detail operation records in the Manufacturing Order Miscellaneous Detail file and connects them to their existing parent manufacturing orders in the Manufacturing Order Master file.
- Prints the Operations Detail Addition report.
- Prints the Miscellaneous Detail Addition report.
- Updates the above-mentioned Manufacturing Order Master file records with the remaining operation/miscellaneous data.

Purchasing order create

- Purchase orders. PUR allows purchase orders to be created from one or more requisitions and, if MRP is installed, from MRP planned orders, directly from MRP order release. You also can enter a purchase order directly.

Repetitive Production Management Schedule Release

REP's schedule release process can be divided into three main segments:

- Entering schedules
- Selecting schedules
- Releasing schedules

Entering schedules. Entering schedules is an online interactive process that allows you to intelligently create a schedule by viewing demand and production line capacity information. It may be ideal to have a production schedule equal demand for a specific date, but if the capacity to build the schedule is not attainable, then the schedule is not valid. For this reason REP presents both item demand and line utilization information on a single display. This presentation helps a planner develop realistic schedules that meet both criteria.

Before you can enter schedules, you must have created an Item/Line definition of the finished item you want to produce. The Item/Line definition describes an item's manufacturing rates for a specific production line and the component supply technique that it will use. If EPDM is activated, the Item/Line definition considers revisions and item processes.

Schedules are entered using the REP menu option Enter and Maintain Schedules. This option allows you to select the warehouse within which you want to work and then select a sequence of viewing items. You can select to see items by primary production line, planner, or merely in ascending item sequence. If you select by production line or planner, all items having a primary production line or planner specified in their item balance record are shown for the line or planner specified.

Data on the initial Enter and Maintain Schedules display is shown by item and presents a composite of information for all production lines the item is scheduled on.

Displayed are total demand quantities, total scheduled quantities, the differences between total demand and what is scheduled, plus total production line utilization for all lines the item is scheduled on. If an item is dedicated to a single production line, then obviously the information shown is a composite of a single item. The purpose of this display is to allow you a view of how schedules are meeting demand and the status of production line capacity in relation to the schedules that have been released.

When you choose one of the dates shown on the initial display, the Enter and Maintain Schedules Detail display appears. The Detail display shows you the total demand for the day, the quantity scheduled to be produced, and the line utilization for each production line on which you currently have a schedule. On the Detail display, you can create schedules or change schedule due dates, quantities, and the production line on which a schedule is run. Schedules that have not been started can be cancelled by changing the schedule quantity to zero.

Using information from the Detail display, you can use function keys to assist in creating or changing schedules. You can create a schedule using the Schedule Add function key. This function key shows a display that allows you to create a schedule for a quantity on a specific date or on a range of dates. If a range of dates is selected, the schedule quantity is prorated over the number of consecutive days you specified. The created schedule is placed in the MOMAST file with a status code of 00.

The Use Proposed Change function key allows you to create or alter schedules to make the scheduled quantity meet the daily demand. Proposed Change is the difference between a day's Net Demand and the quantity scheduled to be produced that day. You can press the function key, after selecting a specific day on the Schedule Entry and Maintenance display, and schedules will be created or altered as needed to meet the daily demand. You also can select a specific schedule on the Detail display and have that schedule's quantity increased or decreased by the proposed change. If you have production constraints that dictate a minimum or maximum production quantity, the schedule quantities are lot sized to fit within the constraints.

Before selecting a schedule for release, the Detail display allows you to navigate to other displays where you can see more information in preparation for schedule release. One display, Material Check, allows you to do an on-line component availability check to help determine if there are any known component shortages. Another display, Sequence Schedules, allows you to order the sequence in which schedules may be built on a specific date.

Selecting schedules for release. Schedules are selected for release through the Release Schedules menu option. This option allows you to selectively choose schedules for release based on a status code of 00 in the schedules header record. On the Release Schedules Selection display, you can choose the warehouse, the release horizon, the production line you are interested in, and whether a shortage report should print. From this criteria, the application will build a subfile of schedules and display them for your review on the Released Schedules display. Key information shown is planned schedule start date, due date, production line, warehouse, item, description, and reference field. From this list of schedules, you can selectively choose a specific schedule, or all schedules. You can also decide at this time to prime a schedule when it is released.

Releasing schedules. Schedule release merely takes the schedules that you have selected and updates the released schedules data base. The files that are updated were identified previously in the section that describes the open order data base.

Any changes to the schedules must be accomplished on the Enter and Maintain Schedules display for date and quantity changes, or the Released Schedule Maintenance display if there are material or operation changes.

Summary—Repetitive Production Management Schedule Release. Schedule entry and release functions can be found on REP's Schedule Management menu. From this menu you can select the following options:

- Extract schedule requirements to bring in schedules from MRP, COM, or the schedule demand interface file
- Enter and maintain schedules to create and change REP schedules
- Select and release schedules to update the released schedules data base.

Appendix D. Menu option lockout

Occasionally, while you are running Inventory Management, your menu option cannot be started because other menu options will not allow it to run. This is called menu option lockout. The following tables summarize menu options that prevent others from running.

You cannot start this procedure:			While this procedure is running:		
Menu ID-Option	Procedure-Type	Menu Option Description	Menu ID-Option	Procedure-Type	Menu Option Description
AMIM21 - 03	AMIPDB - B	IM Rpt-Purch Order Status	AMCM30 - 02	AMCP33 - B	PCC Work File Release
			AMCM50 - 04	AMCP5D - B	PCC Shop Activity Update
			AMCM60 - 02	AMCP63 - B	PCC Ord Close Report & Purge
			AMIM40 - 02	AMIPHF - B	IM R/C-Order Release
			AMIM40 - 03	AMIPHF - B	IM R/C-Order Release W/S.P.
			AMIM40 - 06	AMIPJL - B	IM R/C-Order Closeout R & P
			AMMM40 - 05	AMIPHF - B	MRP-Order Release
			AMMM40 - 05	AMMPJK - B	MRP-Order Release
			AMMM40 - 06	AMIPHF - B	MRP-Order Rel W/Shop Packet
			AMMM40 - 06	AMMPJK - B	MRP-Order Rel W/Shop Packet
AMIM21 - 04	AMIPDF - B	IM Rpt-Mfg Order Status	AMCM30 - 02	AMCP33 - B	PCC Work File Release
			AMCM50 - 04	AMCP5D - B	PCC Shop Activity Update
			AMCM60 - 02	AMCP63 - B	PCC Ord Close Report & Purge
			AMIM40 - 02	AMIPHF - B	IM R/C-Order Release
			AMIM40 - 03	AMIPHF - B	IM R/C-Order Release W/S.P.
			AMIM40 - 06	AMIPJL - B	IM R/C-Order Closeout R & P
			AMMM40 - 05	AMIPHF - B	MRP-Order Release
			AMMM40 - 05	AMMPJK - B	MRP-Order Release
			AMMM40 - 06	AMIPHF - B	MRP-Order Rel W/Shop Packet
			AMMM40 - 06	AMMPJK - B	MRP-Order Rel W/Shop Packet
AMIM21 - 05	AMIPDB - B	IM Rpt-Pch/Mfg Order Status	AMCM30 - 02	AMCP33 - B	PCC Work File Release
			AMCM50 - 04	AMCP5D - B	PCC Shop Activity Update
			AMCM60 - 02	AMCP63 - B	PCC Ord Close Report & Purge
			AMIM40 - 02	AMIPHF - B	IM R/C-Order Release
			AMIM40 - 03	AMIPHF - B	IM R/C-Order Release W/S.P.

You cannot start this procedure:			While this procedure is running:		
Menu ID-Option	Procedure-Type	Menu Option Description	Menu ID-Option	Procedure-Type	Menu Option Description
			AMIM40 - 06	AMIPJL - B	IM R/C-Order Closeout R & P
			AMMM40 - 05	AMIPHF - B	MRP-Order Release
			AMMM40 - 05	AMMPJK - B	MRP-Order Release
			AMMM40 - 06	AMIPHF - B	MRP-Order Rel W/Shop Packet
			AMMM40 - 06	AMMPJK - B	MRP-Order Rel W/Shop Packet
			AMMM40 - 07	AMIPHF - B	MRP-Auto Release Purchase Order
			AMMM40 - 07	AMMPJK - B	MRP-Auto Release Purchase Order
AMIM21 - 05	AMIPDF - B	IM Rpt-Pch/Mfg Order Status	AMCM30 - 02	AMCP33 - B	PCC Work File Release
			AMCM50 - 04	AMCP5D - B	PCC Shop Activity Update
			AMCM60 - 02	AMCP63 - B	PCC Ord Close Report & Purge
			AMIM40 - 02	AMIPHF - B	IM R/C-Order Release
			AMIM40 - 03	AMIPHF - B	IM R/C-Order Release W/S.P.
			AMIM40 - 06	AMIPJL - B	IM R/C-Order Closeout R & P
			AMMM40 - 05	AMIPHF - B	MRP-Order Release
			AMMM40 - 05	AMMPJK - B	MRP-Order Release
			AMMM40 - 06	AMIPHF - B	MRP-Order Rel W/Shop Packet
			AMMM40 - 06	AMMPJK - B	MRP-Order Rel W/Shop Packet
			AMMM40 - 07	AMIPHF - B	MRP-Auto Release Purchase Order
			AMMM40 - 07	AMMPJK - B	MRP-Auto Release Purchase Order
AMIM21 - 05	AMIPDJ - B	IM Rpt-Pch/Mfg Order Status	AMCM30 - 02	AMCP33 - B	PCC Work File Release
			AMCM50 - 04	AMCP5D - B	PCC Shop Activity Update
			AMCM60 - 02	AMCP63 - B	PCC Ord Close Report & Purge
			AMIM40 - 02	AMIPHF - B	IM R/C-Order Release
			AMIM40 - 03	AMIPHF - B	IM R/C-Order Release W/S.P.
			AMIM40 - 06	AMIPJL - B	IM R/C-Order Closeout R & P
			AMMM40 - 05	AMIPHF - B	MRP-Order Release
			AMMM40 - 05	AMMPJK - B	MRP-Order Release
			AMMM40 - 06	AMIPHF - B	MRP-Order Rel W/Shop Packet
			AMMM40 - 06	AMMPJK - B	MRP-Order Rel W/Shop Packet
			AMMM40 - 07	AMIPHF - B	MRP-Auto Release Purchase Order
			AMMM40 - 07	AMMPJK - B	MRP-Auto Release Purchase Order
AMIM22 - 02	AMIPCS - B	IM Rpt-Control Totals	AMIM70 - 10	AMIPVB - B	IM F/M-On Order Quan Audit
			AMIM70 - 11	AMIPVG - B	IM F/M-Alloc Quan Audit
AMIM22 - 03	AMIPDP - I	IM Rpt-Follow-Up Shortage	AMIM70 - 10	AMIPVB - B	IM F/M-On Order Quan Audit

You cannot start this procedure:			While this procedure is running:		
Menu ID-Option	Procedure-Type	Menu Option Description	Menu ID-Option	Procedure-Type	Menu Option Description
			AMIM70 - 11	AMIPVG - B	IM F/M-Alloc Quan Audit
			AMMM20 - 06	AMMPJA - B	MRP-Initiate Planning Run
AMIM30 - 03	AMIPEK - B	IM Transaction Register	AMSM30 - 02	AMSP3A - B	SA - Sales Analysis Close
AMIM30 - 04	AMIPEJ - I	IM T/P-Q/C Transactions	AMBM00 - 04	AMBPW2 - B	COM - Monthly Close
			AMIM60 - 01	AMIPNA - I	IM P/C-Per./Year End Close
			AMIM60 - 03	AMIPNJ - I	IM P/C-LIFO/FIFO Tran Purge
			AMIM60 - 04	AMIPNN - I	IM P/C-LIFO/FIFO Maint.
			AMIM80 - 03	AMIPDH - I	IM T/H-Purge/Save Tran Hist
			AMSM30 - 01	AMSP01 - I	SA - Reporting Period Close
AMIM30 - 04	AMIPEK - B	IM T/P-Q/C Transactions	AMBM00 - 04	AMBPW2 - B	COM - Monthly Close
			AMIM80 - 03	AMIPDH - I	IM T/H-Purge/Save Tran Hist
			AMSM30 - 01	AMSP01 - I	SA - Reporting Period Close
				XMPYA	Item Read Method
				XMPYB	Item Maintenance Method
AMIM30 - 05	AMIP4A - I	IM T/P-Aloc Wrks Generation	AMIM80 - 03	AMIPDH - I	IM T/H-Purge/Save Tran Hist
AMIM30 - 07	AMIP4D - I	IM T/P-Miscellaneous Trans	AMIM80 - 03	AMIPDH - I	IM T/H-Purge/Save Tran Hist
AMIM40 - 02	AMIPHF - B	IM R/C-Order Release	AMBM10 - 06	AMBPEK - B	COM-Batch Update
			AMCM20 - 03	AMCP2K - B	PCC Reports - Period Analysis
			AMIM21 - 03	AMIPDB - B	IM Rpt-Purch Order Status
			AMIM21 - 04	AMIPDF - B	IM Rpt-Mfg Order Status
			AMIM21 - 05	AMIPDB - B	IM Rpt-Pch/Mfg Order Status
			AMIM21 - 05	AMIPDF - B	IM Rpt-Pch/Mfg Order Status
			AMIM21 - 05	AMIPDJ - B	IM Rpt-Pch/Mfg Order Status
			AMLM10 - 09	AMLPE - B	MPSP Family Oper Plan Report
			AMLM20 - 01	AMLAWN - I	MPSP Generate Master Schedule
			AMLM20 - 05	AMLPE - B	MPSP Mast Sched Plan Report
			AMLM20 - 06	AMLAWA - I	MPSP Available to Promise
			AMMM10 - 05	AMVPW1 - I	MRP-Work With Warehouses
			AMMM40 - 03	AMMPJH - B	MRP-Check Item Availability
				XMPYA	Item Read Method
				XMPYB	Item Maintenance Method
AMIM40 - 03	AMIPHF - B	IM R/C-Order Release W/S.P.	AMBM10 - 06	AMBPEK - B	COM-Batch Update
			AMCM20 - 03	AMCP2K - B	PCC Reports - Period Analysis
			AMIM21 - 03	AMIPDB - B	IM Rpt-Purch Order Status
			AMIM21 - 04	AMIPDF - B	IM Rpt-Mfg Order Status
			AMIM21 - 05	AMIPDB - B	IM Rpt-Pch/Mfg Order Status
			AMIM21 - 05	AMIPDF - B	IM Rpt-Pch/Mfg Order Status
			AMIM21 - 05	AMIPDJ - B	IM Rpt-Pch/Mfg Order Status
			AMLM10 - 09	AMLPE - B	MPSP Family Oper Plan Report

You cannot start this procedure:			While this procedure is running:		
Menu ID-Option	Procedure-Type	Menu Option Description	Menu ID-Option	Procedure-Type	Menu Option Description
			AMLM20 - 01	AMPLWN - I	MPSP Generate Master Schedule
			AMLM20 - 05	AMPLJS - B	MPSP Mast Sched Plan Report
			AMLM20 - 06	AMPLWA - I	MPSP Available to Promise
			AMMM10 - 05	AMVPW1 - I	MRP-Work With Warehouses
			AMMM40 - 03	AMMPJH - B	MRP-Check Item Availability
				XMPYA	Item Read Method
				XMPYB	Item Maintenance Method
AMIM40 - 05	AMIPJF - I	IM R/C-Order Closeout Slct	AMCM60 - 02	AMCP61 - I	PCC Ord Close Report & Purge
			AMIM40 - 06	AMIPJL - B	IM R/C-Order Closeout R & P
			AMIM40 - 06	AMIPJK - I	IM R/C-Order Closeout R & P
AMIM40 - 05	AMIPJL - B	IM Ord Close Report & Purge	AMIMA0 - 03	AMIP43 - I	MOH Archive/Delete Orders
AMIM40 - 06	AMIPJK - I	IM R/C-Order Closeout R & P	AMCM60 - 01	AMCP60 - I	PCC Order Closeout Selection
			AMIM40 - 05	AMIPJF - I	IM R/C-Order Closeout Slct
			AMIM40 - 06	AMIPJL - B	IM R/C-Order Closeout R & P
AMIM40 - 06	AMIPJL - B	IM R/C-Order Closeout R & P	AMBM10 - 06	AMBPEK - B	COM-Batch Update
			AMCM20 - 03	AMCP2K - B	PCC Reports - Period Analysis
			AMIM21 - 03	AMIPDB - B	IM Rpt-Purch Order Status
			AMIM21 - 04	AMIPDF - B	IM Rpt-Mfg Order Status
			AMIM21 - 05	AMIPDB - B	IM Rpt-Pch/Mfg Order Status
			AMIM21 - 05	AMIPDF - B	IM Rpt-Pch/Mfg Order Status
			AMIM21 - 05	AMIPDJ - B	IM Rpt-Pch/Mfg Order Status
			AMIM40 - 05	AMIPJF - I	IM R/C-Order Closeout Slct
			AMLM10 - 09	AMPLJE - B	MPSP Family Oper Plan Report
			AMLM20 - 05	AMPLJS - B	MPSP Mast Sched Plan Report
				XMPYA	Item Read Method
				XMPYB	Item Maintenance Method
AMIM50 - 01	AMIPLB - B	IM P/I-Total Physical Slct		XMPYA	Item Read Method
				XMPYB	Item Maintenance Method
AMIM50 - 02	AMIPLB - B	IM P/I-Cycle Count Slct		XMPYA	Item Read Method
				XMPYB	Item Maintenance Method
AMIM50 - 06	AMIPLP - I	IM P/I-Physical Inv Update	AMIM80 - 03	AMIPDH - I	IM T/H-Purge/Save Tran Hist
				AMJUC	PC&C and PM&C Transactions
AMIM50 - 06	AMIPLQ - B	IM P/I-Physical Inv Update	AMIM80 - 03	AMIPDH - I	IM T/H-Purge/Save Tran Hist
				AMJUC	PC&C and PM&C Transactions
				XMPYA	Item Read Method
				XMPYB	Item Maintenance Method

You cannot start this procedure:			While this procedure is running:		
Menu ID-Option	Procedure-Type	Menu Option Description	Menu ID-Option	Procedure-Type	Menu Option Description
AMIM60 - 01	AMIPNA - I	IM P/C-Per./Year End Close	AMIM30 - 04	AMIPEJ - I	IM T/P-Q/C Transactions
			AMQM30 - 07	AMIPEF - I	REP M/M-Enter IM Transactions
			AMQM50 - 01	AMIPOD - I	REP F/M-Item Balance
AMIM60 - 01	AMIPNB - B	IM P/C-Per./Year End Close		AMJUC	PC&C and PM&C Transactions
				XMPYA	Item Read Method
				XMPYB	Item Maintenance Method
				XMPYC	BOM Read
				XMPYD	BOM Maintenance
				XMPYE	Routing Read
				XMPYF	Routing Maintenance
AMIM60 - 02	AMIPNF - I	IM P/C-LIFO/FIFO Val. Rept.	AMIM60 - 03	AMIPNJ - I	IM P/C-LIFO/FIFO Tran Purge
			AMIM60 - 04	AMIPNN - I	IM P/C-LIFO/FIFO Maint.
AMIM60 - 03	AMIPNJ - I	IM P/C-LIFO/FIFO Tran Purge	AMIM30 - 04	AMIPEJ - I	IM T/P-Q/C Transactions
			AMIM60 - 02	AMIPNF - I	IM P/C-LIFO/FIFO Val. Rept.
			AMIM60 - 04	AMIPNN - I	IM P/C-LIFO/FIFO Maint.
			AMQM30 - 07	AMIPEF - I	REP M/M-Enter IM Transactions
				AMJUC	PC&C and PM&C Transactions
AMIM60 - 04	AMIPNN - I	IM P/C-LIFO/FIFO Maint.	AMIM30 - 04	AMIPEJ - I	IM T/P-Q/C Transactions
			AMIM60 - 02	AMIPNF - I	IM P/C-LIFO/FIFO Val. Rept.
			AMIM60 - 03	AMIPNJ - I	IM P/C-LIFO/FIFO Tran Purge
			AMQM30 - 07	AMIPEF - I	REP M/M-Enter IM Transactions
				AMJUC	PC&C and PM&C Transactions
AMIM70 - 01	AMVP5A - I	IM F/M-Item Master	AMEM04 - 01	AMEP41 - B	PDM Cost Generation - Current
			AMEM04 - 02	AMEP41 - B	PDM Cost Generation - Standard
			AMEM04 - 03	AMEP41 - B	PDM Cost Generation - Both
			AMEM04 - 04	AMEP41 - B	PDM Sim Cost Generation-Curr
			AMEM04 - 05	AMEP41 - B	PDM Sim Cost Generation-Stand
			AMEM04 - 06	AMEP41 - B	PDM Sim Cost Generation-Both
			AMEM05 - 04	AMEP5H - B	PDM Maint - Routing
AMIM70 - 01	AMIPQA - I	IM F/M-Item Master	AMMM20 - 06	AMMPJA - B	MRP-Initiate Planning Run
			AM2M20 - 05	AM2P25 - B	Forecast Load to Master Sched
AMIM70 - 10	AMIPVA - I	IM F/M-On Order Quan Audit		XMPYA	Item Read Method
				XMPYB	Item Maintenance Method

You cannot start this procedure:			While this procedure is running:		
Menu ID-Option	Procedure-Type	Menu Option Description	Menu ID-Option	Procedure-Type	Menu Option Description
AMIM70 - 10	AMIPVB - B	IM F/M-On Order Quan Audit	AMBM10 - 06	AMBPEK - B	COM-Batch Update
			AMBM10 - 07	AMBPHB - B	COM-Pick Lists
			AMBM10 - 10	AMBPKB - B	COM-Bills Of Lading
			AMBM30 - 01	AMBPGB - B	COM-Open Orders By Date
			AMBM30 - 02	AMBPGB - B	COM-Open Orders By Item
			AMBM30 - 03	AMBPGB - B	COM-Open Orders By Customer
			AMBM30 - 04	AMBPGB - B	COM-Blanket Order Status
			AMBM30 - 08	AMBPMB - B	COM-Order Shortage Report
			AMCM20 - 03	AMCP2K - B	PCC Reports - Period Analysis
			AMCM70 - 02	AMCP70 - I	PCC Maint - Open Ord Ops Det
			AMIM22 - 02	AMIPCS - B	IM Rpt-Control Totals
			AMIM22 - 03	AMIPDP - I	IM Rpt-Follow-Up Shortage
			AMLM10 - 09	AMLPJE - B	MPSP Family Oper Plan Report
			AMLM20 - 05	AMLPJS - B	MPSP Mast Sched Plan Report
			AMMM20 - 06	AMMPJB - B	MRP-Initiate Planning Run
			AMMM20 - 06	AMMPJC - B	MRP-Initiate Planning Run
			AMMM20 - 06	AMMPJD - B	MRP-Initiate Planning Run
			AMMM30 - 01	AMMPJB - B	MRP-Requirements Planning Rpt
			AMMM30 - 02	AMMPJB - B	MRP-MLI vs Forecast/Cust Rpt
			AMMM30 - 03	AMMPJC - B	MRP-Purch Planning Report
			AMMM30 - 04	AMMPJD - B	MRP-Order Rec - Exception Seq
			AMMM30 - 05	AMMPJD - B	MRP-Order Rec - Item Seq
			AM6M10 - 04	AM6P3D - I	Enter/Edit Purchase Orders
			AM6M40 - 07	AM6P3H - I	P.O. Closeout Audit
AMIM70 - 11	AMIPVG - B	IM F/M-Alloc Quan Audit	AMBM10 - 07	AMBPHB - B	COM-Pick Lists
			AMBM10 - 10	AMBPKB - B	COM-Bills Of Lading
			AMBM30 - 01	AMBPGB - B	COM-Open Orders By Date
			AMBM30 - 02	AMBPGB - B	COM-Open Orders By Item
			AMBM30 - 03	AMBPGB - B	COM-Open Orders By Customer
			AMBM30 - 04	AMBPGB - B	COM-Blanket Order Status
			AMBM30 - 08	AMBPMB - B	COM-Order Shortage Report
			AMCM20 - 03	AMCP2K - B	PCC Reports - Period Analysis
			AMCM70 - 02	AMCP70 - I	PCC Maint - Open Ord Ops Det
			AMIM22 - 02	AMIPCS - B	IM Rpt-Control Totals
			AMIM22 - 03	AMIPDP - I	IM Rpt-Follow-Up Shortage
			AMLM10 - 09	AMLPJE - B	MPSP Family Oper Plan Report
			AMLM20 - 05	AMLPJS - B	MPSP Mast Sched Plan Report

You cannot start this procedure:			While this procedure is running:		
Menu ID-Option	Procedure-Type	Menu Option Description	Menu ID-Option	Procedure-Type	Menu Option Description
			AMMM20 - 06	AMMPJB - B	MRP-Initiate Planning Run
			AMMM20 - 06	AMMPJC - B	MRP-Initiate Planning Run
			AMMM20 - 06	AMMPJD - B	MRP-Initiate Planning Run
			AMMM30 - 01	AMMPJB - B	MRP-Requirements Planning Rpt
			AMMM30 - 02	AMMPJB - B	MRP-MLI vs Forecast/Cust Rpt
			AMMM30 - 03	AMMPJC - B	MRP-Purch Planning Report
			AMMM30 - 04	AMMPJD - B	MRP-Order Rec - Exception Seq
			AMMM30 - 05	AMMPJD - B	MRP-Order Rec - Item Seq
AMIM70 - 11	AMIPVF - I	IM F/M-Alloc Quan Audit	AM6M10 - 04	AM6P3D - I	Enter/Edit Purchase Orders
				XMPYA	Item Read Method
				XMPYB	Item Maintenance Method
AMIM80 - 02	AMIP2F - I	IM T/H-Tran Hist Reports	AMIM80 - 03	AMIPDH - I	IM T/H-Purge/Save Tran Hist
AMIM80 - 02	AMIPCI - B	IM T/H-Tran Hist Reports	AMIM80 - 03	AMIPDH - I	IM T/H-Purge/Save Tran Hist
AMIM80 - 02	AMIPF1 - B	IM T/H-Tran Hist Reports	AMIM80 - 03	AMIPDH - I	IM T/H-Purge/Save Tran Hist
AMIM80 - 03	AMIPDH - I	IM T/H-Purge/Save Tran Hist	AMBM10 - 06	AMBPEK - B	COM-Batch Update
			AMIM30 - 04	AMIPEK - B	IM T/P-Q/C Transactions
			AMIM30 - 04	AMIPEJ - I	IM T/P-Q/C Transactions
			AMIM30 - 05	AMIP4A - I	IM T/P-Aloc Wrks Generation
			AMIM30 - 07	AMIP4D - I	IM T/P-Miscellaneous Trans
			AMIM50 - 06	AMIPLQ - B	IM P/I-Physical Inv Update
			AMIM50 - 06	AMIPLP - I	IM P/I-Physical Inv Update
			AMIM80 - 02	AMIPCI - B	IM T/H-Tran Hist Reports
			AMIM80 - 02	AMIPF1 - B	IM T/H-Tran Hist Reports
			AMIM80 - 02	AMIP2F - I	IM T/H-Tran Hist Reports
			AMIM80 - 04	AMIPDK - I	IM T/H-Restore Tran History
			AMQM10 - 08	AMIP1D - I	REP Inq-Transaction History
			AMQM50 - 05	AMIP5B - I	REP F/M-B/L QC Status
			AMQM50 - 06	AMIP5C - I	REP F/M-Batch/Lot Numbers
			AMQM50 - 07	AMIP5D - I	REP F/M-Location Detail
			AM7M40 - 04	AM7PNA - B	Inventory Adjustment
				AMJUA	IM Transactions
				AMJUC	PC&C and PM&C Transactions
AMIM80 - 04	AMIPDK - I	IM T/H-Restore Tran History	AMIM80 - 03	AMIPDH - I	IM T/H-Purge/Save Tran Hist
AMIM80 - 05	AMIPDM - I	IM T/H-Delete Archive Records	AMIM80 - 03	AMIPDH - I	IM T/H-Purge/Save Tran Hist
AMIM80 - 06	AMIPDN - I	IM T/H-Delete Restored Hist	AMIM80 - 03	AMIPDH - I	IM T/H-Purge/Save Tran Hist
AMIMA0 - 01	AMIP12 - I	MOH Subset Select	AMIMA0 - 03	AMIP43 - I	MOH Archive/Delete Orders
			AMIMA0 - 03	AMIP48 - I	MOH Restore Archive Orders
AMIMA0 - 02	AMIP21 - I	MOH Report Select	AMIMA0 - 03	AMIP43 - I	MOH Archive/Delete Orders

You cannot start this procedure:			While this procedure is running:		
Menu ID-Option	Procedure-Type	Menu Option Description	Menu ID-Option	Procedure-Type	Menu Option Description
AMIMA0 - 02	AMIP23 - B	MOH Report Batch Processing	AMIMA0 - 03	AMIP48 - I	MOH Restore Archive Orders
			AMIMA0 - 03	AMIP43 - I	MOH Archive/Delete Orders
AMIMA0 - 03	AMIP42 - I	MOH Archive Processing - Inquiry	AMIMA0 - 03	AMIP48 - I	MOH Restore Archive Orders
			AMIMA0 - 03	AMIP42 - I	MOH Archive/Delete Orders
AMIMA0 - 03	AMIP43 - I	MOH Archive/Delete Orders	AMCM60 - 02	AMCP63 - B	PCC Ord Close Report & Purge
			AMIM40 - 05	AMIPJL - B	IM R/C-Order Closeout R & P
			AMIMA0 - 01	AMIP12 - I	MOH Subset Select
			AMIMA0 - 02	AMIP21 - I	MOH Report Select
			AMIMA0 - 02	AMIP23 - B	MOH Report Batch Processing
			AMIMA0 - 03	AMIP42 - I	MOH Archive Processing Inquiry
			AMIMA0 - 03	AMIP43 - I	MOH Archive/Delete Orders
			AMIMA0 - 03	AMIP47 - I	MOH Archive Content Report
			AMIMA0 - 03	AMIP48 - I	MOH Restore Archive Orders
AMIMA0 - 03	AMIP47 - I	MOH Archive Content Report	AMQM40 - 08	AMQP4E - B	REP S/M-Purge Schedules
			AMIMA0 - 03	AMIP43 - I	MOH Archive/Delete Orders
AMIMA0 - 03	AMIP48 - I	MOH Restore Archive Orders	AMIMA0 - 03	AMIP43 - I	MOH Archive/Delete Orders
			AMIMA0 - 03	AMIP48 - I	MOH Restore Archive Orders

Appendix E. Transaction update tables

The following tables show the fields within records that are updated by each transaction. Part 1 of each table shows transactions CA through PQ; part 2 shows transactions RC through VR. The matrix shown can be used as a convenient summary of the result you get by using a transaction. For example, look at the Planned Manufacturing Issue (IP) transaction and how it updates the records. You can tell from the matrix that the following updates take place as a result of using this issue transaction:

- Item Balance file updates:
 - On hand total quantity is decreased.
 - Last date changing quantity on hand is calculated and updated.
 - Requirements planning activity flag set to 1.
 - Cycle count transaction activity increased by one.
 - Force cycle count flag is set to 1.
 - Manufacturing allocation quantity is decreased.
 - Quantity issued this period is increased.
 - Quantity issued year-to-date is increased.
 - Date of last issue is calculated and updated.
 - Quantity used this period is increased.
 - Quantity used year-to-date is increased.
 - Date of last usage is calculated and updated.
 - Usage cost period-to-date is increased.
 - Usage cost year-to-date is increased.
- Manufacturing Order Master file updates:
 - Manufacturing order status code is set to 40 (order started).
 - Activity start date is calculated and updated.
 - Last activity date is calculated and updated.
 - Issue cost is increased.
- Manufacturing Order Detail file updates:
 - Issued quantity total to-date is increased.
 - Issued quantity this period is increased.
 - Date of last issue is calculated and updated.
 - Actual cost this period is increased.
 - Actual cost-to-date is increased.
- Location Quantity file updates:
 - On-hand quantity is decreased.
 - Discrete allocations quantity is decreased.
- Allocation Quantity file updates:
 - Discrete allocations quantity is decreased.

- The following symbols are used in these tables:
 - *** Uncontrolled floor stock
 - **** Controlled floor stock
 - #** Item/order is waiting for inspection
 - +** Item/order is allocated
 - I** Increase
 - D** Decrease
 - +n** Increase by n
 - =n** Set equal to n
 - A** Add record
 - P** Field updated by IP transactions created by SM transactions
 - UA** Update or add record
 - X** Calculate and update
 - U** Update record
 - N** Field not updated if item is Inspect-on-Receipt.

Table E-2. Item Balance file, Part 2

Transaction Types																			
Fields	RC	RD	RI	RM	RP	RQ	RS	RS	RS	RW	SA	SC	SM	SP	SS	TW	UR	VA	VR
Notes and symbols				c	e	h		*	**				d						
On hand total quantity	I,N			I,N	I,N	D	I	I	I	I	D				D				D
Last date changing qty on hand	X,N			X,N	X,N	X	X	X	X	X	X				X				
Req'ts planning activity flag	=1			=1	=1	=1	=1	=1	=1	=1	=1				=1				
Cycle count transaction activity	+1			+1	+1	+1	+1	+1	+1	+1	+1				+1				
Force cycle count flag	=1			=1	=1		=1	=1	=1	=1	=1				=1				
On-order production quantity				D									D						
Average mfg lead time				X															
On-order purchase qty					D									D					
Average purchase lead time					X														
Mfg. allocated quantity																			
Qty issued this period							D	D	D							f			
Qty issued year-to-date							D	D	D							f			
Date of last issue																f			
Qty used this period							D	D	D	I						f			
Qty used year-to-date							D	D	D	I						f			
Date of last usage							X	X	X	X									
Usage cost, period-to-date							D	D	D	I						f			
Usage cost, year-to-date							D	D	D	I						f			
Qty received this period	I,N			I,N	I,N					I						f			i
Qty received since last plan	N			I,N	I,N														D,N
Qty sold this period											I								
Qty sold year-to-date											I								
Qty sold since last plan											I								
Date of last sale											X								
Item sales amount, P-T-D											I								
Item sales amount, Y-T-D											I								
Item cost of sales, P-T-D											I								
Item cost of sales, Y-T-D											I								
Qty adjusted this period																			
Qty scrapped this period															I				
Qty scrapped year-to-date															I				
Date of last scrap												X	X	X	X				
Scrap cost, period-to-date															I				
Scrap cost, year-to-date															I				

Table E-2. (Continued) Item Balance file, Part 2

Transaction Types																				
Fields	RC	RD	RI	RM	RP	RQ	RS	RS	RS	RW	SA	SC	SM	SP	SS	TW	UR	VA	VR	
Average unit cost	X			X	X		X	X	X	X										f
Last unit cost	X			X	X		X	X	X	X										f
Standard unit cost																				f
Cost deviation code (g)	X			X	X		X	X	X	X										
Receipts before prod. date				I	I															
Receipts after prod. date				I	I															
Shipments before MPS curr. date																				I
Shipments after MPS curr. date																				I
Shipments before MPS prod. date																				I
Shipments after MPS prod. date																				I

Notes:

1. Pick Complete by Order (PC) transactions only create Planned Manufacturing Issue transactions for non-floor stock items.
2. Production Receipt (RM) transactions create Planned Manufacturing Issue (IP) transactions for controlled floor stock items. If PC&C is interfacing, the RM transaction also uses the extended parent scrap quantity (reported through PC&C labor trans.) to create IP transactions when the order is completed.
3. Manufacturing Order Scrap (SM) transactions create Planned Manufacturing Issues for controlled floor stock items when PC&C is not interfacing
4. A Purchase Receipt to Inspection (RI) transaction updates the Location Quantity file for an item coded Inspect on Receipt; the ITEMPL file is updated by the purchase quality control (PQ) transaction. If an item is not coded Inspect on Receipt, the Purchase Receipt to Stock (RP) transaction updates both the Location Quantity file and the Item Balance file.
5. If you are processing an intrawarehouse (not interwarehouse) transfer, this field is not updated.
6. The various type of receipt transactions update Cost Deviation Code only if the Transaction Amount contains a value.
7. QC Reject Transaction (RQ) will only update the Item Balance file if the location being rejected has a QC Type Code 6 (shelf life expired).
8. Purchase Order to Vendor (VR) will update the Item Balance file Quantity Received this Period (RECMO) field.

Table E-3. Location Quantity file, Part 1 (Updated only for controlled warehouses)

Transaction Types																		
Fields	CA	CQ	CR	CS	IA	IP	IP	IP	IS	IU	IU	IW	MI	MQ	MR	PB	PC	PQ
Notes and symbols							*	**			*	**						
On hand quantity					I	D		D	D	D		D	D	D		I		
Allocated quantity						D+		D+										
1st QC indicator		=1													U			U
2nd QC indicator		=0													U			U

Table E-6. Allocation Quantity file, Part 2 (Updated only for controlled warehouses)

Transaction Types																			
Field	RC	RD	RI	RM	RP	RQ	RS	RS	RS	RW	SA	SC	SM	SP	SS	TW	UR	VA	VR
Notes and symbols							*		**		C								
Allocated quantity										D+	D+								

Notes:

1. Pick Complete by Order (PC) transactions only create Planned Manufacturing issue transactions for non-floor stock items.
2. Sales Shipment (SA) transactions update the allocated quantities in the Location Quantity and Allocated Quantity files only when they are generated by COM.

Table E-8. Manufacturing Order Master file, Part 2

Transaction Types																			
Fields	RC	RD	RI	RM	RP	RQ	RS	RS	RS	RW	SA	SC	SM	SP	SS	TW	UR	VA	VR
Notes and symbols	C			C	C			*	**										
Mfg ord status code				X		=4 0	=4 0	=4 0				=4 0	=40						
Activity start date				X		X	X	X				X	X						
Last activity date				X		X	X	X				X	X						
Issue cost							D	D											
No. active mat'l rec																			
No. ctrl flr stock rec																			
Quantity received				I,N															
Rec cost this period				I,N		I													
Rec cost-to-date				I,N		I													
Ord compl date				X															
Scrap cost													I						
Scrap quantity													I						

Table E-9. Manufacturing Order Detail file, Part 1

Transaction Types																			
Fields	CA	CQ	CR	CS	IA	IP	IP	IP	IS	IU	IU	IU	IW	MI	MQ	MR	PB	PC	PQ
Notes and symbols							*	**			*	**					a	b	
Mfg ord det record										A	A	A							
Iss qty total to date																			
Issue qty this period																			
Date of last issue						X	X	X		X	X	X							
Act cost this period																			
Act cost to date											i	i							
Qty scrapped																			
Order number								P											
Comp item number										X	X	X							
Comp item whse										X	X	X							
User sequence										X	X	X							
Dupl matl flag										X	X	X							
Comp item descr										X	X	X							
Floor stock code											*U	*C							
Total qty required										X	X	X							
Qty per unit										X	X	X							
Unit of measure										X	X	X							
Required date										X	X	X							
Unit cost										X	X	X							
Oper where used										X	X	X							
Comp stock location										X	X	X							
Date last maintained										X	X	X							

Table E-10. Manufacturing Order Detail file, Parts

Transaction Types																			
Fields	RC	RD	RI	RM	RP	RQ	RS	RS	RS	RW	SA	SC	SM	SP	SS	TW	UR	VA	VR
Notes and symbols				C				*	**				d						
Mfg ord det record																			
Iss qty total to date							D		D										
Issue qty this period							D		D										
Date of last issue																			
Act cost this period							D		D										
Act cost to date							D		D										
Qty scrapped												I							
Order number																			
Comp item number																			
Comp item whse																			
User sequence																			
Dupl matl flag																			
Comp item descr																			
Floor stock code																			
Total qty required																			
Qty per unit																			
Unit of measure																			
Required date																			
Unit cost																			
Oper where used																			
Comp stock location																			
Date last maintained																			

Notes:

1. Pick Complete by Order (PC) transactions only create Planned Manufacturing Issue transactions for non-floor stock items.
2. Production Receipt (RM) transactions create Planned Manufacturing Issue (IP) transactions for controlled floor stock items. If PC&C is interfacing, the RM transaction also uses the extended parent scrap quantity (reported through PC&C labor transactions) to create Planned Manufacturing Issue transactions when the order is completed.

3. Manufacturing Order Scrap (SM) transactions create Planned Manufacturing Issues for controlled floor stock items when PC&C is not interfacing.

Table E-12. Purchase Order Master file, Part 2

Transaction Types																			
Fields	RC	RD	RI	RM	RP	RQ	RS	RS	RS	RW	SA	SC	SM	SP	SS	TW	UR	VA	VR
Notes and symbols							*	**											
PO status code	-38	-38		X										-38			&	-28	
Last activity date		X	X		X									X			&	X	X

Table E-14. Purchase Order Item Detail file, Part 2

Transaction Types																				
Fields	RC	RD	RI	RM	RP	RQ	RS	RS	RS	RW	SA	SC	SM	SP	SS	TW	UR	VA	VR	
Notes and symbols								*	**											
Item status code	=20	=30		X										=30			&	=10		
Last activity date	X	X		X										X			&	X	X	
Qty received at dock	I																&			
Inspection quantity		I															&			
Scrap quantity														I			&			
Quantity received to stock					I												&		D	
Quantity deviation				X										X			&		X	
Date first received	X@			X[&			
Delivered quantity	I@			I[&			
Transaction amount				X													&			
Stock date				X													&			
Returned quantity																	&		I	
Resupply return quantity																	&		X	
Promise date																	&	X		
Complete date				X													&			
Date last receipt	X@			X[&			
Last receipt quantity	X@			X[&			

Table E-18. Purchase Order Blanket Release Detail file, Part 2

Transaction Types																				
Fields	RC	RD	RI	RM	RP	RQ	RS	RS	RS	RW	SA	SC	SM	SP	SS	TW	UR	VA	VR	
Notes and symbols							*	**												
PO status code		-20	-30		X									-30			&		-10	
Last activity date		X	X		X									X			&	X	X	
Qty rec at dock		I															&			
Inspection quantity			I														&			
Scrap quantity														i			&			
Qty rec to stock							I										&		D	
Quantity deviation							X							X			&		X	
Date first received		X,	@				X*										&			
Delivered quantity		i,@					i*										&			
Transaction amount							X										&		I	
Returned quantity																	&		i	
Resupply return qty																	&		i	
Promise date																	&		X	
Date last receipt		X@					x@										&			
Last receipt quantity		X@					X@										&			

Table E-20. Purchase Order Comment file, Part 2

Transaction Types																				
Fields	RC	RD	RI	RM	RP	RQ	RS	RS	RS	RW	SA	SO	SM	SP	SS	TW	UR	VA	VR	
Notes and symbols							*	**												
Order number																	&			A
Item number																	&			A
Warehouse																	&			A
Debit memo number																	&			A
Comment sequence number																	&			A
Purchase order item sequence																	&			A
Purchase order comments 1																	&			A
Purchase order comments 2																	&			A
W / U flag																	&			=R
Date last maintained																	&			A
User init																	&			A

Table E-22. Purchase Order Debit Memo Record file, Part 2

Transaction Types																					
Fields	RC	RD	RI	RM	RP	RQ	RS	RS	RS	RW	SA	SC	SM	SP	SS	TW	UR	VA	VR		
Notes and symbols							*	**													
Order number																		&		A	
Item number																			&	A	
Warehouse																			&	A	
Debit memo number																			&	A	
PO item sequence																				&	A
Date last maintained																				&	A
Buyer number																				&	A
Vendor number																				&	A
Dock quantity																				&	=R
Stock quantity																				&	A
Debit memo amt																				&	A
Debit memo qty																				&	A
Resupply flag																				&	A
Memo create date																				&	A
Debit memo amt LC																				&	A
User init																				&	A

Table E-26. LIFO/FIFO Transaction file, Part 2

Transaction Types																			
Fields	CA	CQ	CR	CS	IA	IP	IP	IP	IS	IU	IU	IU	IW	MI	MQ	MR	PB	PC	PQ
Notes and symbols			a						*	**									
Receipt (M1) record	A			A	A						A								
Cost adjustment (M2) record																			

Note: (a) Production Receipt (RM) will not add a record to the LIFO/FIFO Transaction Save file if the item is coded inspect on receipt.

File Updating

Cost Adjustment (CA) Transaction Entry

The following table shows the updating that results from the CA transaction.

File	Field	Change
Item Balance	LCOST	If cost replace amount is entered, LCOST equals the cost replace amount. If quantity and transaction amount are entered, LCOST equals transaction amount divided by quantity.
	AVCST	Updated only if quantity and transaction amount are entered. If quantity is greater than 0 (zero) and less than MOHTQ, AVCST equals: $\frac{(MOHTQ - quantity) \times \text{prior AVCST} + \text{transaction amount}}{MOHTQ}$ <p>If quantity is less than 0 (zero), and the absolute quantity (the numeric value without regard to sign) is less than MOHTQ, AVCST equals:</p> $\frac{(MOHTQ \times \text{prior AVCST}) + \text{transaction amount}}{MOHTQ + quantity}$ <p>If quantity is greater than 0 (zero) and greater than or equal to MOHTQ, or if quantity is less than 0 (zero), and the absolute quantity is greater than or equal to MOHTQ, AVCST equals:</p> new LCOST
	AVCDV	If the cost calculated by the method chosen on the Install/Tailor Questionnaire has varied by at least the cost deviation percent, AVCDV is set to 1. This setting results in a cost-deviation indication on the transaction register.
LIFO/FIFO Transaction Save		If quantity and transaction amount are entered and LIFO or FIFO is supported, a record is added to this file for later reporting.

Cyclic Item QC Complete (CQ) Transaction Entry

The following table shows the updating that results from the CQ transaction.

File	Field	Change
Location Quantity	LPQC1	Set to 1
	LPQC2	Set to 0

Average Cost Replace (CR) Transaction Entry

The following table shows the updating that results from the CR transaction.

File	Field	Change
Item Balance	AVCST	AVCST equals the cost replace amount.
	AVCDV	If the cost calculated by the method chosen on the Install/Tailor Questionnaire has varied by at least the cost deviation percent, AVCDV is set to 1. This setting results in a cost-deviation indication on the transaction register.

Standard Cost Replace (CS) Transaction Entry

The following table shows the updating that results from the CS transaction.

File	Field	Change
Item Balance	STDUC	STDUC equals cost replace amount.
	AVCDV	If the cost calculated by the method chosen on the Install/Tailor Questionnaire has varied by at least the cost deviation percent, AVCDV is set to 1. This setting results in a cost-deviation indication on the transaction register.

Inventory Adjustment (IA) Transaction Entry

The following table shows the updating that results from the IA transaction.

File	Field	Change
Item Balance	MOHTQ	Equals MOHTQ plus quantity.
	ADJMO	Equals ADJMO plus quantity.
	USEMO	Equals USEMO minus quantity.
	USEYR	Equals USEYR minus quantity.
	CSTMO	Equals CSTMO minus (quantity times cost specified during application tailoring).
	CSTYR	Equals CSTYR minus (quantity times cost specified during application tailoring).
	DOFLU	Equals the transaction date.
	LDQOH	Equals the transaction date.
	CCTRN	Equals CCTRN plus 1.
	RPFLG	Set to 1 to indicate to MRP that the item needs replanning.
Location Quantity	LQNTY	Equals LQNTY plus quantity.
Transaction History		Adds record.

Planned Manufacturing Issue (IP) Transaction Entry

The following table shows the updating that results from the IP transaction.

File	Field	Change
Item Balance	MOHTQ	Equals MOHTQ minus quantity.
	MALQT	Equals MALQT minus quantity.
	ISSMO	Equals ISSMO plus quantity.
	USEMO	Equals USEMO plus quantity.
	ISSYR	Equals ISSYR plus quantity.
	USEYR	Equals USEYR plus quantity.
	CSTMO	Equals CSTMO plus (quantity times cost specified during application tailoring).
	CSTYR	Equals CSTYR plus (quantity times cost specified during application tailoring).
	DOFLU	Equals transaction date.
	LACDT	Equals transaction date.
	LDQOH	Equals transaction date.
	CCTRN	Equals CCTRN plus 1.
	RPFLG	Set to 1 to indicate to MRP that the item needs replanning.
	Manufacturing Order Master	OSTAT
LATDT		Equals transaction date.
ASTDT		Equals transaction date if previous OSTAT was 10 (order released).
Manufacturing Order Detail	ISSCO	Equals ISSCO plus (quantity times cost specified during application tailoring).
		On duplicate component/warehouse allocation records, planned issues are applied to the first allocation record with an open requirement. Any remainder will be applied to the next duplicate allocation record. Over-issues will be applied against the last duplicate.
	LISDT	Equals transaction date.
	ISQTY	Equals ISQTY plus quantity.
	ISQTP	Equals ISQTP plus quantity.
	ACSTP	Equals ACSTP plus (quantity times cost specified during application tailoring).
	ACSTD	Equals ACSTD plus (quantity times cost specified during application tailoring).
	Location Quantity	LQNTY
Transaction History		Adds record.
Allocated Quantity	LALQY	Equals LALQY minus quantity if allocations exist.

Miscellaneous Issue (IS) Transaction Entry

The following table shows the updating that results from the IS transaction.

File	Field	Change
Item Balance	MOHTQ	Equals MOHTQ minus quantity.
	ISSMO	Equals transaction date.
	USEMO	Equals USEMO plus quantity.
	ISSYR	Equals ISSYR plus quantity.
	USEYR	Equals USEYR plus quantity.
	CSTMO	Equals CSTMO plus (quantity times cost specified during application tailoring).
	CSTYR	Equals CSTYR plus (quantity times cost specified during application tailoring).
	DOFLU	Equals transaction date.
	LACDT	Equals transaction date.
	LDQOH	Equals transaction date.
	CCTRN	Equals CCTRN plus 1.
	RPFLG	Set to 1 to indicate to MRP that the item needs replanning.
	Location Quantity	LQNTY
Transaction History		Adds record.

Unplanned Component Issue (IU) Transaction Entry

The following table shows the updating that results from the IU transaction.

File	Field	Change
Item Balance	MOHTQ	Equals MOHTQ plus quantity.
	ISSMO	Equals ISSMO plus quantity.
	USEMO	Equals USEMO plus quantity.
	ISSYR	Equals ISSYR plus quantity.
	CSTMO	Equals CSTMO plus (quantity times cost specified during system tailoring).
	CSTYR	Equals CSTYR plus (quantity times cost specified during application tailoring).
	DOFLU	Equals the transaction date.
	LACDT	Equals date of issue.
	LDQOH	Equals the transaction date.
	CCTRN	Equals CCTRN plus 1.
	RPFLG	Set to 1 to indicate to MRP that the item needs replanning.
	MALQT	If TRQTY is greater than or equal to quantity required, MALQT=0. If TRQTY is less than quantity required, MALQT = MALQT plus unissued quantity.
	Manufacturing Order Master	OSTAT
ISSCO		Equals ISSCO plus quantity times cost specified during application tailoring.
Manufacturing Order Detail		A Material Detail record is added.
	LISDT	Equals the transaction date.
	ISQTY	Equals quantity entered.
	ISQTP	Equals quantity entered.
	ACSTP	Equals quantity times cost specified during application tailoring.
	ACSTD	Equals quantity times cost specified during application tailoring.
	CDESC	Equals description entered.
	QTREQ	Equals total quantity entered.
	QTYPR	Equals quantity per entered.
	REQDT	Equals required date entered.
	OPRWU	Equals operation where used entered.
Location Quantity	LQNTY	Equals LQNTY minus quantity.
Transaction History		Adds record.

Interwarehouse Issue (IW) Transaction Entry

The following table shows the updating that results from the IW transaction.

File	Field	Change
Item Balance	MOHTQ	Equals MOHTQ minus quantity.
	ISSMO	Equals ISSMO plus quantity.
	USEMO	Equals USEMO plus quantity.
	ISSYR	Equals ISSYR plus quantity.
	USEYR	Equals USEYR plus quantity.
	CSTMO	Equals CSTMO plus (quantity times cost specified during application tailoring).
	CSTYR	Equals CSTYR plus (quantity times cost specified during application tailoring).
	DOFLU	Equals the transaction date.
	LACDT	Equals date of issue.
	LDQOH	Equals the transaction date.
	CCTRN	Equals CCTRN plus 1.
	RPFLG	Set to 1 to indicate to MRP that the item needs replanning.
	Location Quantity	LQNTY
Transaction History		Adds record.

Manufactured Item QC complete (MQ) Transaction Entry

The MQ transaction has the same file updates as the RM, TW, RQ, and SS transactions depending on the fields used when the transaction is entered.

Pick Complete by Item (PB) Transaction Entry

The following table shows the updating that results from the PB transaction.

File	Field	Change
Item Balance	MOHTQ	Equals MOHTQ minus quantity.
	MALQT	Equals MALQT minus quantity.
	ISSMO	Equals ISSMO plus quantity.
	USEMO	Equals USEMO plus quantity.
	ISSYR	Equals ISSYR plus quantity.
	USEYR	Equals USEYR plus quantity.
	CSTMO	Equals CSTMO plus (quantity times cost specified during application tailoring).
	CSTYR	Equals CSTYR plus (quantity times cost specified during application tailoring).
	DOFLU	Equals transaction date.
	LACDT	Equals transaction date.
	LDQOH	Equals transaction date.
	CCTRN	Equals CCTRN plus 1.
	RPFLG	Set to 1 to indicate to MRP that the item needs replanning.
	Manufacturing Order Master	OSTAT
LATDT		Equals transaction date.
ASTDT		Equals transaction date if previous OSTAT was 10 (order released).
Manufacturing Order Detail	ISSCO	Equals ISSCO plus (quantity times cost specified during application tailoring).
		On duplicate component/warehouse allocation records, planned issues are applied to the first allocation record with an open requirement. Any remainder will be applied to the next duplicate allocation record. Over-issues will be applied against the last duplicate.
	LISDT	Equals transaction date.
	ISQTY	Equals ISQTY plus quantity.
	ISQTP	Equals ISQTP plus quantity.
	ACSTP	Equals ACSTP plus (quantity times cost specified during application tailoring).
	ACSTD	Equals ACSTD plus (quantity times cost specified during application tailoring).
Location Quantity	LQNTY	Equals LQNTY minus quantity.
Transaction History		Adds record.

Pick Complete by Order (PC) Transaction Entry

File updating is done by generated Planned Manufacturing Issue (IP) transactions.

Purchased Item QC Complete (PQ) Transaction Entry

The PQ transaction has the same file updates as the RP, RQ, TW, SP, SS, and VR transactions, depending on the fields used when the transaction is entered.

Miscellaneous Receipt (RC) Transaction Entry

The following table shows the updating that results from the RC transaction.

File	Field	Change
Item Balance	MOHTQ	Equals MOHTQ plus quantity.
	RECMO	Equals RECMO plus quantity.
	LCOST	If TRAMT is not equal to 0 (zero), LCOST = TRAMT divided by TRQTY. If old LCOST is greater than 0 (zero), LCOST = old LCOST. If UCDEF is greater than 0 (zero), LCOST = UCDEF. Otherwise, LCOST = 0 (zero).
	AVCST	If transaction amount is not entered, AVCST is unchanged. If quantity is less than 0 (zero) and new MOHTQ is greater than 0 (zero), or if quantity is greater than 0 (zero) and old MOHTQ is greater than 0 (zero), AVCST equals: <div style="text-align: center;"> $\frac{(oldMOHTQ \times oldAVCST) + TRAMT}{newMOHTQ}$ </div>
		If quantity is greater than 0 (zero) and old MOHTQ is less than or equal to zero, or if the quantity is less than 0 (zero) and new MOHTQ is less than or equal to 0 (zero), AVCST = new LCOST.
	AVCDV	If the cost calculated by the method chosen on the Install/Tailor Questionnaire has varied by at least the cost deviation percent, AVCDV is set to 1. This setting results in a cost-deviation indication on the transaction register.
		LDQOH Equals transaction date.
LIFO/FIFO	CCTRN	Equals CCTRN plus 1.
	RPFLG	Is set to 1 to indicate to MRP that the item needs replanning.
Transaction Save		If LIFO or FIFO support was specified, a record is added to this file, for future reporting.
Location Quantity	LQNTY	Equals LQNTY plus quantity.
Transaction History		Adds record.

Purchase Receipt to Inspection (RI) Transaction Entry

The following table shows the updating that results from the RI transaction.

File	Field	Change
Purchase Order Master	LATDT	Equals transaction date.
	PSTTS	Equals 30 when purchase receipt to dock, purchase receipt to inspection, or purchase receipt to stock is processed. Equals 40 when all blanket releases and all line items on the purchase order reach status 40.
Purchase Order Item Detail	STAIC	Equals 30 (purchase receipt to inspection).
	INSQT	Equals INSQT plus transaction quantity in stocking unit of measure.
	LATDT	Equals transaction date.
Purchase Order Blanket Release Detail	LARDT	Equals transaction date if Purchasing is not installed, or if Purchasing is installed and receiving when delivered.
		Unless the release is specified, blanket purchase order receipts apply sequentially on open releases (RELQT greater than INSQT), up to the quantity open (RELQT plus QTDEV minus STKQT). Over-receipts apply only against the last release. Negative receipts are fully applied against the first open release.
	LATDT	Equals transaction date.
	LARDT	Equals transaction date if Purchasing is not installed, or if Purchasing is installed and receiving when delivered.
Location Quantity	INSQT	Equals INSQT plus transaction quantity in stocking unit of measure.
	STAIC	Equals 30 (purchase receipt to inspection).
	LQNTY	Equals LQNTY plus transaction quantity in stocking unit of measure.
	LPQC1	Set to 9.
Transaction History	LPQC2	Set to 0.
		Adds record.

Purchase Receipt to Dock (RD) Transaction Entry

The following table shows the updating that results from the RD transaction.

File	Field	Change
Purchase Order Master	LATDT	Equals transaction date.
	PSTTS	Equals 30 when purchase receipt to dock, purchase receipt to inspection, or purchase receipt to stock is processed. Equals 40 when all blanket releases and all line items on the purchase order reach status 40.
Purchase Order Item Detail	STAIC	Equals 20 (purchase receipt to dock).
	DKQTY	Equals DKQTY plus quantity.
	LATDT	Equals transaction date.

Note: The following fields are updated by the RD transaction if Purchasing is installed and interfacing and question 612 from the PUR questionnaire 'DO YOU WANT THE QUANTITY RECEIVED TO STOCK TO BE USED AS THE QUANTITY RECEIVED?' is answered N.

Purchase Order Blanket Release Detail	RECDT	Equals transaction date if date was 00/00/00.
	LARDT	Equals transaction date if transaction quantity is not zero.
	QTREL	Equals transaction quantity in stocking unit of measure.
	QTYDE	Equals QTYDE plus transaction quantity in stocking unit of measure.
		Unless the release is specified, blanket purchase order receipts apply sequentially on open releases (RELQT greater than DKQTY), up to the quantity open (RELQT plus QTDEV minus STKQT). Over-receipts apply only against the last release. Negative receipts are fully applied against the first open release.
	LATDT	Equals transaction date.
	DKQTY	Equals DKQTY plus quantity.
	STAIC	Equals 20 (purchase receipt to dock).

Note: The following fields are updated by the RD transaction if Purchasing is installed and interfacing and question 612 from the PUR questionnaire 'DO YOU WANT THE QUANTITY RECEIVED TO STOCK TO BE USED AS THE QUANTITY RECEIVED?' is answered N.

	RECDT	Equals transaction date if date was 00/00/00.
	LARDT	Equals transaction date if transaction quantity is not zero.
	QTREL	Equals transaction quantity in stocking unit of measure.
	QTYDE	Equals QTYDE plus transaction quantity in stocking unit of measure.

Production Receipt (RM) Transaction Entry

The following table shows the updating that results from the RM transaction.

File	Field	Change			
Item Balance for Parent Item	MOHTQ	Equals MOHTQ plus quantity. See note following this transaction. Equals RECMO plus quantity.			
	MPRPQ RECMO LCOST	If TRAMT is not equal to 0 (zero), LCOST - TRAMT divided by TRQTY. If old LCOST is greater than 0 (zero), LCOST - old LCOST. If UCDEF is greater than 0 (zero), LCOST = UCDEF. If last transaction, LCOST equals Order Cost times the sum of Issue, Labor, and Overhead, divided by the Quantity received.			
	AVCST	If last transaction and order is complete, AVCST is unchanged if the transaction amount is not entered and the response to "Do you want to update average and last costs when receiving a manufacturing order or schedule complete?" is N. If quantity is less than 0 (zero) and new MOHTQ is greater than 0 (zero), or if quantity is greater than 0 (zero) and old MOHTQ is greater than 0 (zero), AVCST equals the old MOHTQ times the old AVCST plus TRAMT, divided by the new MOHTQ. If the quantity is greater than 0 (zero) and old MOHTQ is less than or equal to 0 (zero), AVCST = new LCOST. If last transaction and order is complete, AVCST equals new MOHTQ times the old AVCST, plus the order cost minus the RECCA, divided by the new MOHTQ.			
	RECPL	Equals RECPLU plus quantity.			
	AVCDV	If the cost calculated by the method chosen on the Install/Tailor Questionnaire has varied by more than the cost deviation percent, AVCDV is set to 1. This setting results in a cost-deviation indication on the transaction register. Equals transaction date.			
	LDQOH	Equals CCTRN plus 1. Is set to 1 to indicate to MRP that the item needs replanning.			
Item Balance to Component(s)	CCTRN	If an order is completed without all of the components issued, MALQT equals MALQT minus the unissued quantity for each component. If an order is reopened (immediate update only), MALQT equals MALQT plus the unissued quantity for each component.			
	RPFLG MALQT				
Manufacturing Order Detail	OSTAT	-----After Update -----			
		Before Update	Incomplete	Complete	Reopen
		10	40	45	Invalid
		40	40	45	Invalid
		45	Invalid	Invalid	40
		50	50	55	Invalid
		55	Invalid	Invalid	50
		99	Invalid	Invalid	Invalid
		QTYRC	Equals QTYRC plus quantity.		
		LATDT	Equals transaction date.		
	ASTDT	Equals transaction date if prior OSTAT was 10.			
	RECCO	If transaction quantity is not 0 (zero), equals RECCO plus transaction amount; otherwise, equals RECCO plus (quantity times cost specified during application tailoring).			
	RECTP	Same as RECCO.			
	OCODT	Equals transaction date if OSTAT is changed to 55.			

File	Field	Change
LIFO/FIFO Transaction Save		If transaction quantity is entered and LIFO or FIFO support specified, a record is added to this file.
Location Quantity	LQNTY	Equals LQNTY plus quantity.
Transaction History		Adds record.

Note: Updating the on order quantity in the Item Balance file (MPRPQ for RM transaction, MPUPQ for RP transaction) is performed per the following:

Case	Trans Qty	Qty Open	Completing	Reopening
A	Plus	Plus	No	No
B		Plus	Yes	No
C	Plus	Plus	No	Yes
D		-----All Others-----		
E	Minus	Plus	No	No
F	Minus	Minus	No	
G	Minus	Plus	No	Yes

- Case** Action
- A** Decrease by smaller of transaction or open quantity.
 - B** Decrease by open quantity.
 - C** Increase by open quantity and decrease by smaller of transaction or open quantity.
 - D** No change.
 - E** Decrease by transaction quantity.
 - F** Subtract transaction quantity from open quantity. If plus, add difference to on-order.
 - G** Increase by open quantity and decrease by transaction quantity

Purchase Receipt to Stock (RP) Transaction Entry

The following table shows the updating that results from the RP transaction.

File	Field	Change
Item Balance	MOHTQ	Equals MOHTQ plus quantity.
	MPUPQ	See note for the RM transaction.
	RECMO	Equals RECMO plus quantity.
	LCOST	If TRAMT is not equal to 0 (zero), LCOST = TRAMT divided by TRQTY. If old LCOST is greater than 0 (zero), LCOST = old LCOST. If UCDEF is greater than 0 (zero), LCOST = UCDEF. Otherwise, LCOST = 0 (zero).
	AVCST	Is unchanged if transaction amount is not entered and response to the question "Do you want the transaction amount to be calculated for the RP transaction?" is N. If quantity is less than 0 (zero) and new MOHTQ is greater than 0 (zero), or if quantity is greater than 0 (zero) and old MOHTQ is greater than 0 (zero), AVCST equals:
		$\frac{(oldMOHTQ \times oldAVCST) + TRAMT}{newMOHTQ}$
		If transaction amount is not entered and the answer to the question "Do you want the transaction amount to be calculated for the RP transaction?" is Y and the item contains purchase overhead, the AVCST will include the impact of purchase overhead.
		If quantity is greater than 0 (zero) and old MOHTQ is less than or equal to 0 (zero), or if quantity is less than 0 (zero) and new MOHTQ is less than or equal to 0 (zero), AVCST = new LCOST.
		RECPL Equals RECPL plus quantity.
		AVCDV If the cost calculated by the method chosen on the Install/Tailor Questionnaire has varied by more than the cost deviation percent, AVCDV is set to 1. This setting results in a cost-deviation indication on the transaction register.
Purchase Order Master	LDQOH	Equals transaction date.
	CCTRN	Equals CCTRN plus 1.
	RPFLG	Is set to 1 to indicate to MRP that the item needs replanning.
	LATDT	Equals transaction date.
Purchase Order Item Detail	PSTTS	Equals 30 if the order is partially received. Equals 40 if all items on an order or all releases on a blanket order are received complete.
	STAIC	Equals 40 if the item is partially received. Equals 50 if the item is received complete.
	STKQT	Equals STKQT plus quantity.
	LATDT	Equals transaction date.
	QTDEV	Once an item is received complete either by receiving a quantity greater than or equal to the order quantity or by using a completion code of "C", then the quantity deviation will be calculated as the stock quantity minus the order quantity.

$$(QTDEV = STKQT - QTYOR)$$

If an item is reopened the quantity deviation will be recalculated as the scrap quantity plus the resupply- no return quantity. The total of these quantities will be stored as a negative deviation.

$$(QTDEV = QTSCP + QRTRN)$$

All quantities are in stocking unit of measure.

File	Field	Change
	TRAMT	Equal to the transaction amount entered, or if none is entered, it is calculated from the transaction quantity in stocking unit of measure multiplied by the purchase order unit price in stocking unit of measure.
	STKDT	Equals transaction date.
	CMPDT	Equals transaction date when item is received complete.
<p>Note: The following fields are updated by the RP transaction if purchasing is installed and interfacing and question 612 from the PUR questionnaire DO YOU WANT QUANTITY RECEIVED TO STOCK TO BE USED AS THE QUANTITY RECEIVED? is answered Y.</p>		
	RECDT	Equals the transaction date if date was 00/00/00.
	LARDT	Equals transaction date if transaction quantity is not zero.
	QTREL	Equals transaction quantity in stocking unit of measure.
	QTYDE	Equals QTYDE plus transaction quantity in stocking unit of measure.
Purchase Order Blanket Release Detail		<p>On blanket purchase orders, if no release number is keyed in, receipts are applied to the first open release up to the release quantity. Any remainder will be applied to the next open release. Over-receipts will be applied against the last release. Negative receipts are applied to the first release that has receipts, up to the quantity already received. Any remainder will be applied to the next release that has receipts. Negative receipts in excess of total receipts will be applied to the last release.</p>
	LATDT	Equals transaction date.
	STKQT	Equals STKQT plus quantity
	STAIC	Equals 40 (receipt to stock) if received quantity is less than released quantity. Equals 50 (release complete) if received quantity is equal to or greater than released quantity.
	OPNDV	<p>Once a release is received complete by either receiving a quantity greater than or equal to the release quantity, or by using a completion code of "C", then the quantity deviation will be calculated as the stock quantity minus the release quantity.</p> <p style="text-align: center;">$(OPNDV = STKQT - RELQT)$</p> <p>If a release is reopened, the quantity deviation will be recalculated as the scrap quantity plus the resupply-no return quantity. The total of these quantities will be stored as a negative deviation.</p> <p style="text-align: center;">$(OPNDV = QTSCP + QRTRN)$</p>
		All quantities used are in stocking unit of measure.
	TRAMT	Equal to the transaction amount entered, or if none is entered, it is calculated from the transaction quantity in stocking unit of measure, multiplied by the purchase order unit price in stocking unit of measure.
<p>Note: The following fields are updated by the RP transaction only if Purchasing is installed and interfacing and question 612 from the PUR questionnaire DO YOU WANT THE QUANTITY RECEIVED TO STOCK TO BE USED AS THE QUANTITY RECEIVED? is answered Y.</p>		
	RECDT	Equals transaction date if date was 00/00/00.
	LARDT	Equals transaction date if transaction quantity is not zero.
	QTREL	Equals transaction quantity in stocking unit of measure.
	QTYDE	Equals QTYDE plus transaction quantity in stocking unit of measure.
LIFO/FIFO Transaction Save		If transaction quantity is entered and LIFO or FIFO is supported, a record is added to this file.
Location Quantity Transaction History	LQNTY	<p>Equals LQNTY plus quantity.</p> <p>Adds record.</p>

QC Item Reject (RQ) Transaction Entry

The following table shows the updating that results from the RQ transaction.

File	Field	Change
Item Balance	MOHTQ	If this item was waiting for Cyclic inspection prior to this transaction, MOHTQ is decreased by the location quantity. If this item was waiting for initial inspection from a Purchase or Manufacture order receipt, then no change is made to MOHTQ.
Location Quantity	LPQC1	Set to 8
	LPQC2	Set to 0
Manufacturing Order Master	RECCO	If this item was waiting for initial inspection from a Manufacturing Order receipt, then RECCO is increased by either: The transaction amount entered The Unit Cost default from the Item Master times the transaction quantity in stocking unit of measure.
	RECTP	If this item was waiting for initial inspection from a Manufacturing Order receipt, then RECTP is increased by either: The transaction amount entered The Unit Cost Default from the Item Master times the transaction quantity in stocking unit of measure.

Component Return to Stock (RS) Transaction Entry

The following table shows the updating that results from the RS transaction.

File	Field	Change
Item Balance	MOHTQ	Equals MOHTQ plus quantity.
	ISSMO	Equals ISSMO minus quantity.
	USEMO	Equals USEMO minus quantity.
	ISSYR	Equals ISSYR minus quantity.
	USEYR	Equals USEYR minus quantity.
	CSTMO	Equals CSTMO minus (quantity times cost specified during application tailoring).
	LCOST	If TRAMT is not equal to 0: $LCOST = \frac{TRAMT(\text{transaction amount})}{TRQTY(\text{transaction quantity})}$ If TRAMT equals 0 (zero) and old LCOST is greater than 0 (zero), LCOST = old LCOST. If TRAMT equals 0 (zero), old LCOST is 0 (zero) or negative, and UCDEF is greater than 0 (zero), LCOST = UCDEF. Otherwise, LCOST = 0 (zero).
AVCST	(Non-floor stock and controlled floor stock items) First, a transaction unit cost (STPCSR) is calculated: If TRAMT is not equal to 0 (zero), $STPCSR = \frac{TRAMT(\text{transaction amount})}{TRQTY(\text{transaction quantity})}$ If TRAMT equals 0 (zero) and ISQTY equals 0 (zero), STPCSR = CSTPC (unit cost). Then, AVCST is calculated. If old MOHTQ is 0 (zero) or negative AVCST=STPCSR. If old MOHTQ is positive and new MOHTQ is 0 (zero) or negative, AVCST = LCOST. If old MOHTQ and new MOHTQ are positive and TRAMT is less than or greater than 0 (zero): $AVCST = \frac{(\text{oldMOHTQ} \times \text{oldAVCST}) + TRAMT}{\text{newMOHTQ}}$ or If TRAMT equals 0 (zero): $AVCST = \frac{(\text{oldMOHTQ} \times \text{oldAVCST}) + (STPCSR \times TRQTY)}{\text{newMOHTQ}}$ Note: Old AVCST defaults to LCOST if it is 0 (zero). If LCOST is also 0 (zero), old AVCST defaults to UCDEF.	
AVCST	(uncontrolled floor stock items) If TRAMT equals 0 (zero), AVCST = old AVCST. If TRAMT is equal to or less than 0 (zero) and old MOHTQ is 0 (zero) or negative, AVCST = TRAMT/TRQTY. If old MOHTQ is positive but new MOHTQ is 0 (zero) or negative, AVCST = LCOST. If both old and new MOHTQ are positive: $AVCST = \frac{(\text{oldMOHTQ} \times \text{oldAVCST}) + TRAMT}{\text{NewMOHTQ}}$	
CSTYR	Equals CSTYR minus (quantity times cost specified during application tailoring).	

File	Field	Change
	LDQOH	Equals transaction date.
	CCTRN	Equals CCTRN plus 1.
	RPFLG	Set to 1 to indicate to MRP that the item needs replanning. Note: Manufacturing Order Master and Manufacturing Order Detail file updating apply to non-floor stock and controlled floor stock items only.
Manufacturing Order Master	OSTAT	If OSTAT is less than 40 (order started), sets it to 40.
	LATDT	Equals transaction date.
	ASTDT	Equals transaction date if previous OSTAT was 10 (order released).
Manufacturing Order Detail	ISSCO	Equals ISSCO minus (quantity times cost specified during application tailoring). On duplicate component/warehouse records, return to stock transactions are applied to the last allocation record with an issued quantity. Any remainder will be applied to the next duplicate allocation record. Over-returns will be applied against the first duplicate.
	LISDT	Equals transaction date.
	ISQTY	Equals ISQTY minus quantity.
	ISQTP	Equals ISQTP minus quantity.
	ACSTP	Equals ACSTP minus (quantity times weighted average cost based on cost specified during application tailoring).
	ACSTD	Equals ACSTD minus (quantity times weighted average cost based on cost specified during application tailoring).
Location Quantity Transaction History	LQNTY	Equals LQNTY plus quantity. Adds record.

Interwarehouse Receipt (RW) Transaction Entry

The following table shows the updating that results from the RW transaction.

File	Field	Change
Item Balance	MOHTQ	Equals MOHTQ plus quantity.
	RECMO	Equals RECMO plus quantity.
	LCOST	If transaction amount is entered, LCOST equals transaction amount divided by quantity; otherwise is unchanged.
	AVCST	If transaction amount is not entered, AVCST is unchanged. If quantity is less than 0 (zero) and new MOHTQ is greater than 0 (zero), or if quantity is greater than 0 (zero) and prior MOHTQ is greater than 0 (zero), AVCST equals: $\frac{(\text{priorMOHTQ} \times \text{priorAVCST}) + \text{transaction amount}}{\text{newMOHTQ}}$
		If quantity is greater than 0 (zero) and prior MOHTQ is less than or equal to 0 (zero), or if quantity is less than 0 (zero) and new MOHTQ is less than or equal to 0 (zero), AVCST equals: newLCOST
	AVCDV	If the cost calculated by the method chosen on the Install/Tailor Questionnaire has varied by more than the cost deviation percent, AVCDV is set to 1. This setting results in a cost-deviation indication on the transaction register.
LIFO/FIFO Transaction Save	LDQOH	Equals transaction date.
	CCTRN	Equals CCTRN plus 1.
	RPFLG	Is set to 1 to indicate to MRP that the item needs replanning.
		If LIFO or FIFO support was specified, a record is added to this file for future reporting.
	Location Quantity	LQNTY
Transaction History		Adds record.

Sales Shipment (SA) Transaction Entry

The following table shows the updating that results from the SA transaction.

File	Field	Change
Item Balance	MOHTQ	Equals MOHTQ minus quantity.
	QTSMO	Equals QTSMO plus quantity.
	USEMO	Equals USEMO plus quantity.
	QTSYR	Equals QTSYR plus quantity.
	USEYR	Equals USEYR plus quantity.
	CURPL	If quantity is positive, equals CURPL plus quantity.
	AMSMO	Equals AMSMO plus transaction amount.
	AMSYR	Equals AMSYR plus transaction amount.
	CAMMO	Equals CAMMO plus (quantity times cost specified during application tailoring).
	CAMYR	Equals CAMYR plus (quantity times cost specified during application tailoring).
	CSTMO	Equals CSTMO plus (quantity times cost specified during application tailoring).
	CSTYR	Equals CSTYR plus (quantity times cost specified during application tailoring).
	DOFLS	Equals transaction date.
	DOFLU	Equals transaction date.
	LDQOH	Equals transaction date.
	CCTRN	Equals CCTRN plus 1.
	RPFLG	Is set to 1 to indicate to MRP that the item needs replanning.
Item Interface		Update (or add on) if item is specified for sales analysis.
Location Quantity	LQNTY	Equals LQNTY minus quantity.
	LALQY	Equals LALQY minus Quantity Shipped (if transaction is generated by COM).
Allocation Quantity	LALQY	Equals LALQY minus Quantity Shipped (if transaction is generated by COM).
Transaction History		Adds records.

Manufacturing Component Scrap (SC) Transaction Entry

The following table shows the updating that results from the SC transaction.

File	Field	Change
Item Balance	SCPDT	Equals transaction date.
Manufacturing Order Master	OSTAT	Equals 40 (order started).
	LATDT	Equals transaction date.
	ASTDT	Equals transaction date if prior OSTAT was 10 (order released).
Manufacturing Order Detail	QTYNG	Equals QTYNG plus quantity.

Manufacturing Order Scrap (SM) Transaction Entry

The following table shows the updating that results from the SM transaction.

File	Field	Change
Item Balance	MPRPQ	Equals MPRPQ minus quantity.
Manufacturing Order Master	OSTAT	Equals 40 (order started).
	LATDT	Equals transaction date.
	ASTDT	Equals transaction date if prior OSTAT was 10 (order released).
	QTSCP	Equals QTSCP plus quantity.
	SCPCO	Equals SCPCO plus (quantity times cost specified during application tailoring).

Purchase Order Scrap (SP) Transaction Entry

The following table shows the updating that results from the SP transaction.

File	Field	Change
Purchase Order Master	LATDT	Equals transaction date.
	PSTTS	Equals 30 when purchase receipt to dock, purchase receipt to inspection, or purchase receipt to stock is processed. Equals 40 when all blanket releases and all line items on the purchase order reach status 40.
Purchase Order Item Detail	STAIC	Equals 30 (purchase receipt to inspection).
	QTSCP	Equals QTSCP plus quantity in stocking unit of measure.
	LATDT	Equals transaction date.
	LARDT	Equals the transaction date if Purchasing is installed and interfacing and the system is tailored to recognize stock receipt.
Purchase Order Blanket Release Detail	QTDEV	Equals QTDEV minus the transaction quantity in stocking unit of measure. Unless the release is specified, blanket purchase order scrap quantity applies to the first release up to the open quantity (RELQT plus QTDEV). Any remaining scrap quantity will be applied sequentially to the following releases.
	LATDT	Equals transaction date.
	LARDT	Equals transaction date if Purchasing is installed and interfacing and the system is tailored to recognize stock receipt.
	QTSCP	Equals QTSCP plus quantity in stocking unit of measure.
	STAIC	Equals 30 (purchase receipt to inspection).
	OPNDV	Equals OPNDV minus transaction quantity in stocking unit of measure.

Scrap from Stock (SS) Transaction Entry

The following table shows the updating that results from the SS transaction.

File	Field	Change
Item Balance	MOHTQ	Equals MOTHQ minus quantity
	SCPMO	Equals SCPMO plus quantity
	SCPYR	Equals SCPYR plus quantity
	SCCMO	Equals SCCMO plus (quantity times cost specified during application tailoring)
	SCCYR	Equals SCCYR plus (quantity times cost specified during application tailoring)
	LAPDT	Equals date of scrap
	LDQOH	Equals the transaction date
	CCTRN	Equals CCTRN plus 1
	RPFLG	Is set to 1 to indicate to MRP that the item needs replanning
Location Quantity	LQNTY	Equals LQNTY minus quantity.
Transaction History		Adds record.

Interwarehouse Transfer (TW) Transaction Entry

When stock movement is interwarehouse, not intrawarehouse, file updating is done by the Interwarehouse Issue (IW) transaction for the issue and by the Interwarehouse Receipt (RW) transaction for the receipt.

Purchase Order Update Routings (UR) Transaction Entry

The following table shows the updating that results from the UR transaction. The UR transaction drives the transactions defined by the routing for the purchase order item. This can be one or a combination of the following transactions: RD, RI, RP, VA, and PQ. Therefore the UR transactions will run the file updates as described for these transactions when appropriate. The UR transaction also updates the POROUT file as described below.

File	Field	Change
Purchase Operations	OPSTC	Equals appropriate status code for transaction being performed.
	TQCTP	Equals TQCTP plus the transaction quantity in stocking unit of measure.
	TQCTD	Equals TQCTD plus the transaction quantity in stocking units of measure.
	ASTDT	Equals the transaction date if ASTDT was 00/00/00.
	LTDAT	Equals transaction date.
	SCRAP	Equals SCRAP plus the entered scrap quantity in stocking unit of measure.

Purchase Order Vendor Accept (VA) Transaction Entry

The following table shows the updating that results from the VA transaction.

File	Field	Change
Purchase Order Master	LATDT	Equals transaction date.
	PSTTS	Equals 20.
Purchase Order Item Detail	STAIC	Equals 10.
	LATDT	Equals transaction date.
Purchase Order Blanket Release Detail	PRMDT	Equals promise date entered on transaction. Release number must be specified.
	STAIC	Equals 10.
	LATDT	Equals transaction date.
	PRMDT	Equals promise date entered on transaction.

Purchase Order to Vendor (VR) Transaction Entry

The following table shows the updating that results from the VR transaction.

File	Field	Change
Purchase Order Master	LATDT	Equals transaction date.
Purchase Order Item Detail	LATDT	Equals transaction date.
	STKQT	Equals STKQT minus entered return quantity in stocking unit of measure.
	QTDEV	Updated only if the return is flagged as resupply "NO". The quantity deviation will be recalculated as the old deviation minus the resupply-no return quantity in stocking unit of measure.
	QTYRT	Equals QTYRT plus the entered return quantity in stocking unit of measure.
	QRTRN	Equals QRTRN plus the entered return quantity in stocking unit of measure with a resupply flag of "NO".
	DKQTY	Equals DKQTY minus the entered return quantity.
		Release number must be specified.
Purchase Order Blanket Release Detail	LATDT	Equals transaction date.
	STKQT	Equals STKQT minus entered return quantity in stocking units of measure.
	OPNDV	Updated only if the return is flagged as resupply "NO". The quantity deviation will be recalculated as the old deviation minus the resupply-no return quantity in stocking unit of measure.
	QTYRT	Equals QTYRT plus entered return quantity in stocking unit of measure.
	QRTRN	Equals QRTRN plus the entered return quantity in stocking unit of measure with a resupply flag of "NO".
	DKQTY	Equals DKQTY minus the entered return quantity.
		A record is added for each VR performed.
Purchase Order Comment and Debit Memo Record	ORDNO	Equals order number entered.
	ITNBR	Equals item number entered.
	HOUSE	Equals warehouse entered.
	DEBIT	Next available debit memo number is system generated.
	CMSEQ	System generated.
	POISQ	Equals sequence number entered.
	CMNT1	System generated.
	CMNT2	System generated.
	MDATE	Equals transaction date.
	WUFLG	Equals "R".
	USINT	Equals the last two characters of the work station ID.
		A record is added for each VR performed.
Purchase Order Debit Memo Detail	ORDNO	Equals order number entered.
	ITNBR	Equals item number entered.
	HOUSE	Equals warehouse entered.

File	Field	Change
	DEBIT	Next available debit memo number is system generated.
	POISQ	Equals sequence number entered.
	MDATE	Equals transaction date.
	BUYNO	Retrieved from the POMAST file for the purchase order that the transaction is against.
	VNDNR	Retrieved from the POMAST file for the P.O. that the transaction is against.
	DKQTY	Retrieved from the POBLKT file if a purchase order blanket release is entered and from POITEM if a non-blanket purchase order is entered.
	STKQT	Retrieved from the POBLKT file if a purchase order blanket release is entered and from POITEM if a non-blanket purchase order is entered.
	DBAMT	Equals the entered return quantity in stocking unit of measure multiplied by the purchase order unit price in stocking unit of measure.
	DBQTY	Equals the entered return quantity in stocking unit of measure.
	RSUPF	Equals the resupply "Y" or "N" entered.
	DBDTE	Equals the transaction date.
	USINT	Equals last two characters of the work station ID.
	DBAML	Equals DBAMT converted to local currency using the exchange rate from the POMAST file for the purchase order that the transaction is against.
Item Balance	RECMO	Equals the Quantity Received this Period
	MOHTQ	Equals MOHTQ minus quantity

The only difference between a VR transaction and a VR transaction generated from a Quantity Control (PQ) transaction is that the PQ transaction does not update the on-hand quantity in the Item Balance file.

Appendix F. Using work with panels

Where to go from a work with list

Find your work with list panel in the left column and read to the right to see where each option takes you. Remember, you can always return to the menu to select another menu option.

Work with List panels	Options	Where option takes you
Work with Items	5=Display	Display Item Detail panel
	10=Warehouses	Work with Item Warehouses panel
Work with Item Warehouses	5=Display	Display Item Warehouse Detail panel
	10=Locations	Work with Item Locations panel
	30=Allocations	Work with Item Allocations panel
Work with Item Locations	5=Display	Display Item Location Detail panel
	10=Discrete allocations	Work with Discrete Allocations panel
Work with Item Allocations	5=Display	Display Discrete Allocation Detail panel
Work with Discrete Allocations	5=Display	Display Discrete Allocation Detail panel
Work with Warehouses	5=Display	Display Warehouse Detail panel
	10=Locations	Work with Warehouse Locations panel
	20=Items	Work with Warehouse Items panel
Work with Warehouse Locations	5=Display	Display Warehouse Location Detail panel
	10=Location items	Work with Location Items panel
Work with Warehouse Items	5=Display	Display Item Warehouse Detail panel
	10=Item locations	Work with Item Locations panel
	30=Allocations	Work with Item Allocations panel
Work with Location Items	5=Display	Display Item Location Detail panel
	10=Discrete allocations	Work with Discrete Allocations panel

When you type option 5 next to an entry on a work with list, you see a display detail panel showing detailed information about that entry

You must be authorized to the proper level of security in order to perform some of the tasks associated with warehouses.

Work with Items options

The second-level options available on this panel are shown in the following table.

Option #	Task the option lets you perform	Panel where option takes you
1	Create a new item	Item Master File-General Information (Add/Change/Delete/Set Defaults) (AMVT02).
2	Change information for the item	Item Master File-General Information (Add/Change/Delete/Set Defaults) (AMVT02).
4	Delete an item	Item Master File-General Information (Add/Change/Delete/Set Defaults) (AMVT02).
5	Display item information	Display Item Detail (AMVDIM01).
10	Display warehouse information about the item	Work with Item Warehouses (AMIWIW01).
20	Work with POs for the item	Work with Item POs (AM6WIP01) Third-level options on this panel: 2=Change line item 5=Display line item 10=Work with PO 11= Create PO 12=Revise PO 15=Display PO 18=PO Activity 19=Preview PO
2H	Work with PO History for the item	Work with Item PO History (AM6WIH01) Third-level options on this panel: 5=Display line item 15=Display PO
30	Work with requisitions for the item	Work with Item Requisitions (AM6WIR01) Third-level options on this panel: 1=Create 2=Change 4=Delete 5=Display 8=Activity 10=Work with PO 15=Display PO 18=PO Activity 19-Preview PO
31	Create a requisition for the item	Requisition Entry/Edit (AM64B2).
40	Work with vendors for the item	Work with Item Vendors (AM6WIV01) Third-level options on this panel: 1=Create 2=Change 4=Delete 5=Display 10=Quotes/Contracts 11=Create quote

Inventory Management commands

You can use Work with commands on the command line of any IM panel. You can also use commands for work with panels in other applications. See *Working with MAPICS XA* for a complete list of work with commands available in MAPICS XA.

You must be authorized to the proper level of security in order to perform some of the tasks associated with warehouses.

Display commands

Use one of the following commands to see (display) detail for a particular object:

DSPAPPMSG	Application messages
DSPITM	Items
DSPITMWHS	Item warehouses
DSPITMLOC	Item locations
DSPDSCALC	Discrete allocations
DSPWHS	Warehouses
DSPWHSLOC	Warehouse locations

Work with commands

Use one of the following commands to work with a particular object:

WRKITM	Items
WRKITMWHS	Item warehouses
WRKITMLOC	Item locations
WRKITMALC	Item allocations
WRKDSCALC	Discrete allocations
WRKWHS	Warehouses
WRKWHSLOC	Warehouse locations
WRKWHSITM	Warehouse items
WRKLOCITM	Location items

Contents	Index	Exit
--------------------------	-----------------------	----------------------

Appendix G. Security areas

The options on the CAS Security Maintenance menu (AMZM38) allow you to protect application tasks from unauthorized users. You can define security areas and then define specific tasks associated with each area.

Security areas protect access to a group of menu options. The following table shows the application security areas and their associated menu options and task IDs. To print a report of all application areas, see the description of the Generate reports option in the Security Maintenance chapter of the *CAS User's Guide*.

Security area	Menu/option	Description	Task ID
IM Shared Application Security Clearances	AMIM70/1	Item Master	AMVP5A
General Inquiries and Reports	AMIM10/1	Item Master	AMIM1001
	AMIM10/2	Item Balance Detail —All Warehouses	AMIM1002
	AMIM10/4	Open Orders —by Item Warehouse	AMIM1004
	AMIM10/5	Item Availability	AMIM1005
	AMIM10/6	Item Balance History —Sales	AMIM1006
	AMIM10/7	Purchase Orders —by Orders	AMIM1007
	AMIM10/8	Location Detail—by Item/Warehouse	AMIM1008
	AMIM10/9	Warehouse Summary—by Item	AMIM1009
	AMIM10/10	Item Detail—by Location	AMIM1010
	AMIM10/11	Discrete Allocations	AMIM1011
	AMIM21/1	Stock Status—Inventory	AMIM2101
	AMIM21/2	Stock Status—Location	AMIM2102
	AMIM21/3	Purchase Order Status	AMIM2103
	AMIM21/4	Mfg Order Status	AMIM2104
	AMIM21/5	Pch/Mfg Order Status	AMIM2105
	AMIM21/6	ABC Analysis	AMIM2106
	AMIM21/8	Stock Movement Analysis	AMIM2108
	AMIM22/1	Reorder Report	AMIM2201
	AMIM22/2	Control Totals	AMIM2202
	AMIM22/3	Follow-Up Shortage	AMIM2203
	AMIM22/4	Item QC & Batch/Lot Controls	AMIM2204
	AMIM22/5	Items Waiting Inspection	AMIM2205
	AMIM22/6	Reject Items Waiting Disposition	AMIM2206
AMIM22/7	Outstanding Goods Received Notes	AMIM2207	
AMIM22/8	Invoices on Goods Received Notes	AMIM2208	
AMIM22/9	Inventory Valuation	AMIM2209	
AMIM23/1	Item Master List	AMVE1	

Security area	Menu/option	Description	Task ID
General Inquiries and Reports (cont)	AMIM23/4	Empty Locations	AMIM2304
	AMIM23/5	Locations and Contents	AMIM2305
	AMIM23/6	Contents of Quality Control Areas	AMIM2306
	AMIM23/7	Contents of Bulk Store Areas	AMIM2307
	AMIM23/8	Miscellaneous Item Stock	AMIM2308
	AMIM23/9	Goods Received Notes	AMIM2309
	AMIM80/1	Transaction History Inquiries	AMIM8001
	AMIM80/2	Transaction History Reports	AMIM8002
	AMIM90/1	Items	WRKITM
	AMIM90/2	Item Warehouses	WRKITMWHS
	AMIM90/3	Item Locations	WRKITMLOC
	AMIM90/4	Item Allocations	WRKITMALC
	AMIM90/5	Discrete Allocations	WRKDSCALC
	AMIM90/6	Warehouses	WRKWHS
	AMIM90/7	Warehouse Locations	WRKWHSLOC
	AMIM90/8	Warehouse Items	WRKWHSITM
	AMIM90/9	Location Items	WRKLOCITM
Manufacturing Allocation Inquiry	AMIM10/3	Item Balance Detail — Manufacturing Allocations	AMIM1003
Financial Reports and GL Interface	AMIMB1/1	Maintain Rules	AMIMB101
	AMIMB1/2	Maintain Rule Priorities	AMIMB102
	AMIMB1/3	Simulate Account Assignments	AMIMB103
	AMIMB1/4	Maintain Intercompany Accounts	AMIMB104
	AMIMB1/5	List Rules	AMIMB105
	AMIMB1/6	List Rule Priorities	AMIMB106
	AMIMB1/7	List Intercompany Accounts	AMIMB107
	AMIMB2/1	Assign Accounts	AMIMB201
	AMIMB2/2	Edit Assigned Accounts	AMIMB202
	AMIMB3/1	Create Ledger Entries	AMIMB301
	AMIMB3/2	Print Temporary General Ledger	AMIMB302
	AMIMB3/3	Print and Clear Temporary General Ledger	AMIMB303
	AMIMB3/4	Maintain Interface Control File	AMIMB304
	AMIMB3/6	List Chart of Accounts	AMIMB306
	AMIM21/7	Financial Stock Analysis	AMIM2107
	AMIM23/2	Item Balance List	AMIM2302
	AMIM23/3	Item Base Price List	AMIM2303

Security area	Menu/option	Description	Task ID
Transaction Entry	AMIM30/1	Entry	AMIM3001
	AMIM30/2	Entry from Offline Files	AMIM3002
	AMIM30/3	Transaction Register	AMIM3003
	AMIM30/5	Discrete Allocation Worksheet Generation	AMIM3005
	AMIM30/6	Discrete Allocations	AMIM3006
	AMIM30/7	Miscellaneous Item Transactions	AMIM3007
	AMIM30/8	Invoices to Goods Received Notes	AMIM3008
	AMIM30/9	Advance Shipping Notices	WRKASN
	Order Release and Closeout	AMIM40/1	Order Entry
AMIM40/2		Order Release	AMIM4002
AMIM40/3		Order Release with Shop Packet	AMIM4003
AMIM40/5		Order Closeout Selection	AMIM4005
AMIM40/6		Order Closeout Report and Purge	AMIM4006
AMIM44/1		Multiple Order Selection	AMIM4401
AMIM44/2		Individual Order Selection	AMIM4402
Physical Inventory	AMIM50/1	Total Physical Selection	AMIM5001
	AMIM50/2	Cycle Count Selection	AMIM5002
	AMIM50/3	Entry	AMIM5003
	AMIM50/4	Entry from Offline Files	AMIM5004
	AMIM50/6	Physical Inventory Update	AMIM5006
	Variance Reports	AMIM50/5	Variance Report
File Maintenance	AMIMB3/5	Maintain General Ledger Master	AMIMB305
	AMIM7E/1	Item Master (offline load)	AMIM7E01
	AMIM7E/2	Item Balance (offline load)	AMIM7E02
	AMIM70/2	Item Balance	AMIM7002
	AMIM70/3	Purchase Order Item Detail	AMIM7003
	AMIM70/4	Purchase Order Blanket Release Detail	AMIM7004
	AMIM70/5	Manufacturing Order Master	AMIM7005
	AMIM70/6	Mfg Order Detail	AMIM7006
	AMIM70/7	Shop Packet Reprint	AMIM7007
	AMIM70/10	On-Order Quantity Audit	AMIM7010
	AMIM70/11	Allocation Quantity Audit	AMIM7011
	AMIM78/1	Display/Update First Year	AMIM7801
	AMIM78/2	Display/Update Second Year	AMIM7802
	AMIM78/3	Display/Update Third Year	AMIM7803
	AMIM78/4	Display/Update Fourth Year	AMIM7804

Security area	Menu/option	Description	Task ID
	AMIM78/5	Display/Update Fifth Year	AMIM7805
	AMIM78/6	Initialize Five-Year Table	AMIM7806
File Maintenance (cont)	AMIM78/7	Add New Year to Table	AMIM7807
	AMIM78/8	Recreate Calendar File	AMIM7808
	AMIM79/3	Location Detail	AMIM7903
	AMIM79/4	Quality Control Areas	AMIM7904
	AMIM79/5	Bulk Store Areas	AMIM7905
	AMIM79/6	Location Quantity Audit	AMIM7906
	AMIM80/3	Purge/Save Transaction History	AMIM8003
	AMIM80/4	Restore Transaction History	AMIM8004
	AMIM80/5	Delete Restored Transaction History	AMIM8005
	AMIM80/6	Delete Transaction History Archive Records	AMIM8006
Period End Close and LIFO/FIFO	AMIM60/1	Period End/Year End Close	AMIM6001
	AMIM60/2	LIFO/FIFO Valuation Report	AMIM6002
	AMIM60/3	LIFO/FIFO Transaction Purge and List	AMIM6003
	AMIM60/4	LIFO/FIFO Maintenance	AMIM6004
Quantity Maintenance Location Detail	AMIM30/4	Quality Control Transactions	AMIM3004
	AMIM79/1	Batch/Lot Quality Control Status	AMIM7901
	AMIM79/2	Batch/Lot Numbers	AMIM7902
	AMIM70/12	Work With Warehouses	WRKWHSMNT
Manufacturing Order History	AMIMA0/1	Inquiry	AMIMA001
	AMIMA0/2	Report	AMIMA002
Manufacturing Order History Archive	AMIMA0/3	Archive Processing	AMIMA003
IM Code File Maintenance	AMIM7D/1	Bill of Lading Commodity	AMVA5DFR
	AMIM7D/2	Country	AMVAJDFR
	AMIM7D/3	Item Class	AMVBADFR
	AMIM7D/4	Item Price Class	AMVBDDFR
	AMIM7D/5	Item Sales Family	AMVCHDFR
	AMIM7D/6	Item Sales Group	AMVCIDFR
	AMIM7D/7	Language	AMVBEDFR
	AMIM7D/8	Transaction Unit of Measure Class	AMVBJDFR
	AMIM7D/9	Unit of Measure Master	AMVBKDFR

Appendix H. Automated job submission for IM

MAPICS provides the ability to execute MAPICS batch jobs from outside of the MAPICS menu structure for Inventory Management (IM) application tasks listed below:

Task	Menu and Option	Command
Item Master Offline Maintenance	AMEM55-01 and AMIM7E-01	OLMITM
Item Balance Offline Maintenance	AMIM7E-02	OLMITMWH
IM Transaction Register	AMIM30-03	PRTIMTXR
IM Print and Clear Temporary General Ledger	AMIMB3-03	CLRIMTGL

MAPICS provides the necessary architecture modules to enable application tasks to be initiated from sources other than the MAPICS menu system and to be initiated in a batch subsystem. In order to provide the most flexibility, the Cross Application Support (CAS) portion of this activity should be done using a series of Application Program Interfaces (APIs). These CAS APIs then can be used by the applications to provide a programmer's interface to each batch job. The end user cannot execute these APIs on the AS/400 command line; they must be called by a batch or interactive program.

Refer to the *CAS Technical Reference Guide* for more information on the APIs and for a list of all the application tasks available.

Command guidelines

This section is intended to provide assistance when you are formulating the name for a MAPICS command. MAPICS command names are patterned after the AS/400 Control Language Standard. This provides an action-object naming structure. Command names are usually composed of a series of three-character abbreviations. The maximum length for a command name is ten characters.

It is acceptable to use the MAPICS application abbreviation in a command name even though some applications have two- or four-character abbreviations. Using the application abbreviation may be necessary to distinguish between printing a REP or COM pick list, for example.

The following lists are only examples of the abbreviations you might choose to use. You can define your own abbreviations for your company.

Action abbreviations:

ADD	Add
CHG	Change
CLR	Clear
CRT	Create
DLT	Delete
DSP	Display
MNT	Maintain
OLM	Offline Maintenance
PRT	Print
SBM	Submit
WRK	Work with

Object abbreviations:

CLN	Component/Line Definition
HRZ	Horizon
ILN	Item/Line Definition
ITM	Item
LOC	Location
OPT	Option
PKL	Pick List
PLN	Plan or Planning
PRL	P.O. Auto Release
PST	Product Structure
REL	Release
RTG	Routing
TGL	Temporary General Ledger
TXR	Transaction Register
USR	User
WHS	Warehouse

Application APIs

The application APIs are shipped in the form of AS/400 commands. The application command may be named OLMxxxxyy, where xxxxyy is unique to each job. For example, the Offline Item Maintenance command may be named OLMITM.

The Offline Item Maintenance command requires a user to enter the offline file name to be used. After being automated, the OLMITM command could be used from a menu:

```
OLMITM  PROMPT(*YES)
```

The command also can be used as part of an AS/400 job, using a user-written CL program similar to this example illustrating the OLMITM command. The STRMAPICS and ENDMAPICS commands are required.

```
PGM
STRMAPICS ENDS (NN)
OLMITM PROMPT(*NO) ENDS(NN) OPTION(EDIT) FILE(LIBL/FNAME) DELREC (*ALL)
ENDMAPICS
ENDPGM
```

If the application task being automated supports interactive prompts, the command would support a prompt parameter in addition to the application parameters required to run the job. The purpose of the prompt parameter is to instruct the application to display the prompt screens or to use the parameter values associated with the command. The prompt parameter has values of *YES and *NO. If the prompt parameter is *YES, the application parameters cannot be specified on the command.

Each application command supports a parameter to designate the MAPICS execution environment. The environment designator is used to validate that the function is being executed in the proper MAPICS environment. Requiring this parameter serves as a precautionary measure to prevent functions from being inadvertently executed against the wrong environment. The environment designator will only be required and validated when the application command is executed with a PROMPT value of *NO.

More detail about each IM API is included on the following pages.

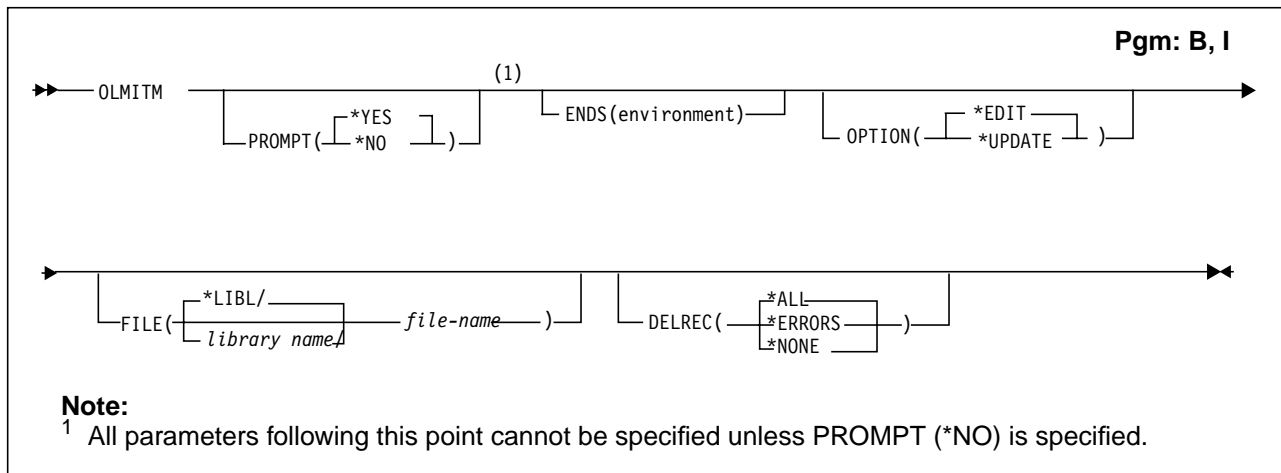
OLMITM - Offline Item Maintenance

```

Offline Item Maintenance (OLMITM)
Type choices, press Enter.
Prompt at run-time . . . . . > *NO_      *YES, *NO
MAPICS environment . . . . . _          Character value
Processing option . . . . . *EDIT_     *EDIT, *UPDATE
Offline file name . . . . . _          Name
  Library . . . . . *LIBL_            Name, *LIBL
Retain offline transactions . . *ALL_  *ALL, *ERRORS, *NONE
    
```

Bottom

F3=Exit F4=Prompt F5=Refresh F12=Cancel F13=How to use this display
F24=More keys



Purpose

The Offline Item Maintenance (OLMITM) command is used to process a file containing offline item maintenance transactions. Information regarding the layout of the transactions can be found in Appendix E, "Transaction update tables".

Optional Parameters

PROMPT Specifies whether the function should prompt for the application values at run-time.

***YES:** Application should prompt user for run-time values.

***NO:** Application should use run-time values supplied by command.

ENDS Specify the MAPICS environment designators to be validated when executing the command. If the environment designator specified here does not match the environment designator associated with the current AS/400 job, this function will not execute. This will stop functions from inadvertently being executed against the wrong MAPICS environment.

OPTION Specifies how the application should process the offline transactions.

***EDIT:** Transactions are only edited.

***UPDATE:** Transactions are edited and the database is updated.

FILE Specifies the name of the file containing the offline transactions.

The possible library values are:

***LIBL:** The library list is used to locate the file name.

library-name: Specify the name of the library where the file is located.

file-name: Specify the name of the file to be processed.

DELREC Specifies what offline transactions should be retained after the file has been processed.

***ALL:** All transactions should be retained.

***ERRORS:** Only error transactions should be retained.

***NONE:** No transactions should be retained.

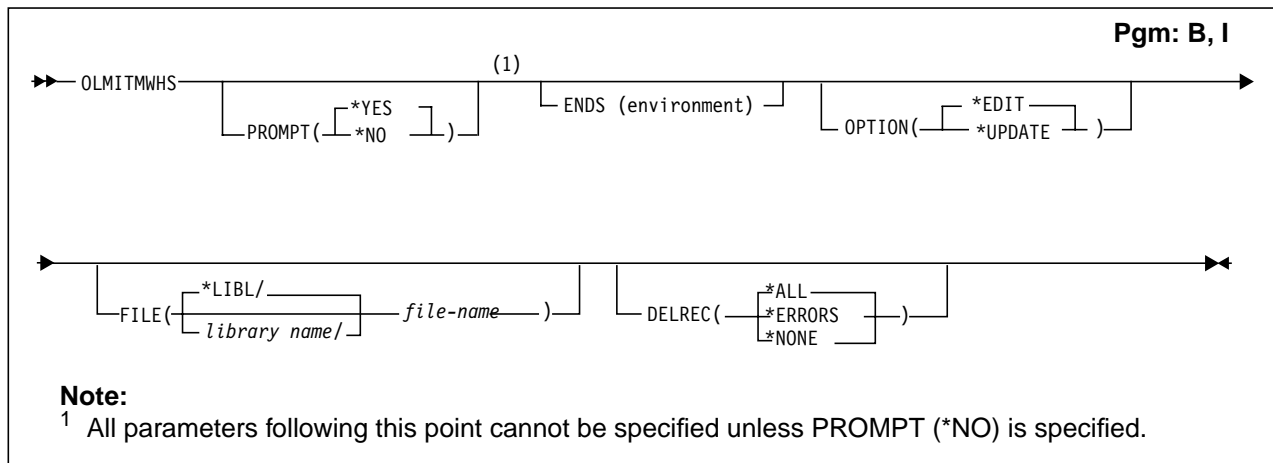
OLMITMWS - Offline Item Warehouse Maintenance

Offline Item Warehouse Maint (OLMITMWS)

Type choices, press Enter.

Prompt at run-time	> *NO_	*YES, *NO
MAPICS environment	_____	Character value
Processing option	*EDIT_	*EDIT, *UPDATE
Offline file name	_____	Name
Library	*LIBL_____	Name, *LIBL
Retain offline transactions . .	*ALL_	*ALL, *ERRORS, *NONE

Bottom
F3=Exit F4=Prompt F5=Refresh F12=Cancel F13=How to use this display
F24=More keys



Purpose

The Offline Item Warehouse Maintenance (OLMITMWS) command is used to process a file containing offline item warehouse maintenance transactions. Information regarding the layout of the transactions can be found in Appendix E, "Transaction update tables".

Optional Parameters

- PROMPT** Specifies whether the function should prompt for the application values at run-time.
- *YES:** Application should prompt user for run-time values.
 - *NO:** Application should use run-time values supplied by command.
- ENDS** Specify the MAPICS environment designators to be validated when executing the command. If the environment designator specified here does not match the environment designator associated with the current AS/400 job, this function will not execute. This will stop functions from inadvertently being executed against the wrong MAPICS environment.
- OPTION** Specifies how the application should process the offline transactions.
- *EDIT:** Transactions are only edited.
 - *UPDATE:** Transactions are edited and the database is updated.
- FILE** Specifies the name of the file containing the offline transactions.
- The possible library values are:
- *LIBL:** The library list is used to locate the file name.
 - library-name:** Specify the name of the library where the file is located.
 - file-name:** Specify the name of the file to be processed.
- DELREC** Specifies what offline transactions should be retained after the file has been processed.
- *ALL:** All transactions should be retained.
 - *ERRORS:** Only error transactions should be retained.
 - *NONE:** No transactions should be retained.

PRTIMTXR - Print IM Transaction Register

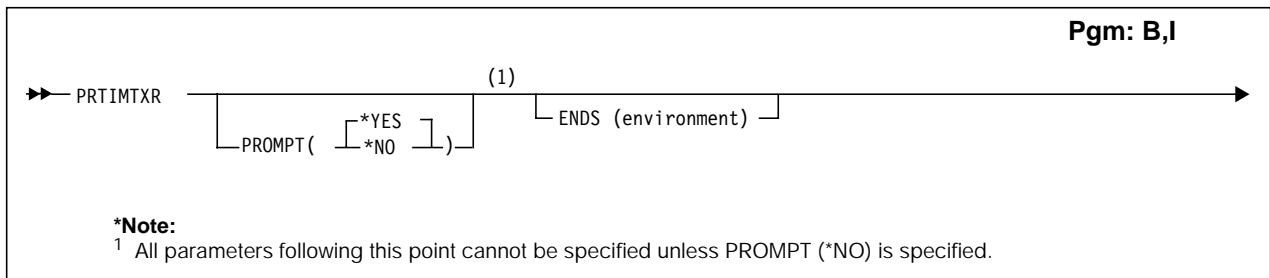
Print IM Transaction Register (PRTIMTXR)

Type choices, press Enter.

Prompt at run-time > *NO_ *YES, *NO
 MAPICS environment — Character value

Bottom

F3=Exit F4=Prompt F5=Refresh F12=Cancel F13=How to use this display



Purpose

The Print IM Transaction Register (PRTIMTXR) command is used to print the Inventory Transaction Register report (AMV3G) and update the files with any completed batch of transactions.

Optional Parameters

- PROMPT** Specifies whether the function should prompt for the application values at run-time.
- *YES:** Application should prompt user for run-time values.
- *NO:** Application should use run-time values supplied by command.

ENDS Specify the MAPICS environment designators to be validated when executing the command. If the environment designator specified here does not match the environment designator associated with the current AS/400 job, this function will not execute. This will stop functions from inadvertently being executed against the wrong MAPICS environment.

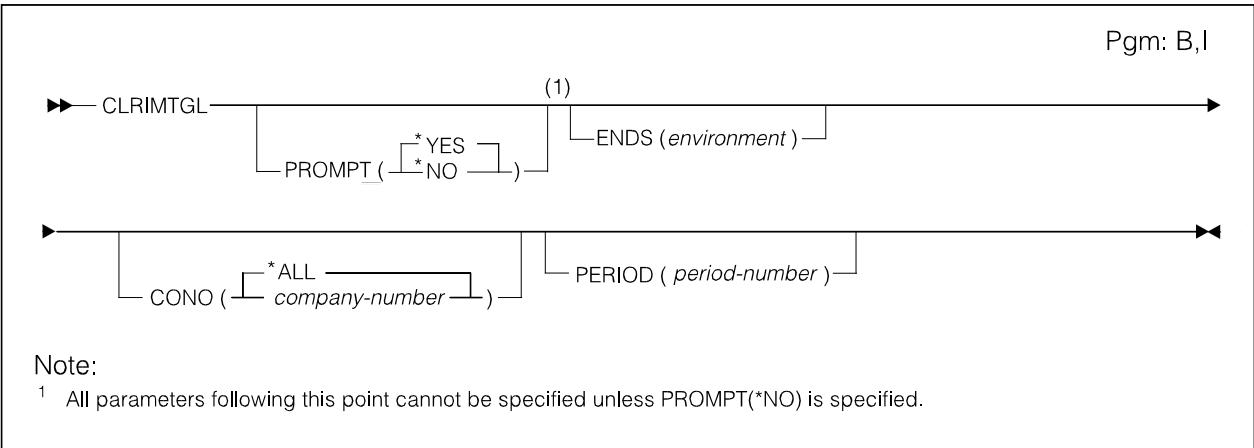
CLRIMTGL - Print and Clear IM Temporary General Ledger

Print and Clear IM Temp GL (CLRIMTGL)

Type choices, press Enter.

Prompt at run-time	> *NO_	*YES, *NO
MAPICS environment	___	Character value
Company number	*ALL	01-89, *ALL
Period to be processed	___	01-13

Bottom
F3=Exit F4=Prompt F5=Refresh F12=Cancel F13=How to use this display
F24=More keys



Purpose

The Print and Clear IM Temporary General Ledger (CLRIMTGL) command is used to print the Temporary General Ledger Listing and clear the Temporary General Ledger file.

Optional Parameters

- PROMPT** Specifies whether the function should prompt for the application values at run-time.
***YES:** Application should prompt user for run-time values.
***NO:** Application should use run-time values supplied by command.
- ENDS** Specify the MAPICS environment designators to be validated when executing the command. If the environment designator specified here does not match the environment designator associated with the current AS/400 job, this function will not execute. This will stop functions from inadvertently being executed against the wrong MAPICS environment.
- CONO** Specify the number of the company whose inventory transactions will be printed and cleared.
***ALL:** Inventory transactions will be printed and cleared for all companies.
company-number: Inventory transactions will be printed and cleared for the company specified. Valid values range from 1 through 89.
- PERIOD** Specify the accounting period associated with the transactions to be printed and cleared. Valid values range from 1 through 13.

Contents	Index	Exit
--------------------------	-----------------------	----------------------

Glossary

This glossary defines terms that are important for this application. It does not include all MAPICS XA terms nor all terms established for your system. If you do not find the term you are looking for, refer to the Index in this book or to glossaries in other MAPICS XA publications.

This glossary includes definitions from:

- *The American National Dictionary for Information Processing Systems*, copyright 1982 by the Computer and Business Equipment Manufacturers Association (CBEMA). Copies may be purchased from the American National Standards Institute, 1430 Broadway, New York, New York 10018. Definitions are identified by symbol (A) after definition.
- *The ISO Vocabulary – Information Processing and the ISO Vocabulary – Office Machines*, developed by the International Organization for Standardization, Technical Committee 97, Subcommittee 1. Definitions of published sections of the vocabulary are identified by symbol (I) after definition; definitions from draft international standards draft proposals, and working papers in development by the ISO/TC97/SC1 vocabulary subcommittee are identified by symbol (T) after definition, indicating final agreement has not yet been reached among participating members.

ABC analysis. An analysis of value characteristics for items, ranking them from high to low. Normal value distributions used in manufacturing include sales volume, gross profit contribution, and inventory value.

actual costing. The material cost (the actual quantity used at standard cost), direct labor cost (actual hours), and the overhead cost directly applied to an item or shop order.

adjusted quantity per. The quantity of the component item required to make a standard batch quantity of the parent item. This number includes adjustment for operation yield. See also “**quantity per.**” and “**standard quantity per.**”

adjustment. (1) A transaction that changes a specific balance in a master file, such as the quantity on hand of an inventory item. (2) In MPSP, the shipment of production quantities among periods in an item trial plan to achieve level production or build held inventory against later demand. (3) In payroll applications, an amount added to gross or net pay.

allocation. (1) The process of offsetting transaction allocation balances (typically cash and credit notes) against transaction settlement balances (typically invoices). (2) The reserving of available inventory for a requirement, such as an explicit open order. See discrete allocation.

alpha factor. A statistical constant that is used in an exponential smoothing weighted averaging approach. It determines how much weight should be given to current demand in relation to past demand.

alphabetic. Pertaining to the letters A through Z.

alphanumeric. Pertaining to a character set that contains letters, digits, and usually other characters, such as punctuation marks. (A) Synonymous with alphameric.

application. (1) The use to which an information processing system is put; for example, a payroll application, an airline reservation application, a network application, keeping track of a company's inventory. (2) A program that performs a particular data processing task; for example, one that provides an inventory report or payroll checks.

application program. A program that performs a particular data processing task; for example, one that produces an inventory report or payroll checks.

application tailoring. The process of selecting, using a questionnaire, the application options that satisfy the specific needs of a company.

approved stock. Items whose QC Type is Checked or N/A (not applicable).

assembly. The combination of two or more items to make a new item.

audit trail. (1) Data, in the form of a logical path linking a sequence of events, used for tracing the transactions that have affected the contents of a record. (2) Information that allows you to trace the history of an account, item record, order, and so forth. The more recent information may be stored online so you can retrieve it.

availability checking. The process of checking component part inventory balances (on hand less allocation) for a sufficient quantity prior to the release of an order that requires that component.

average cost. The cost of each piece of an item in inventory, arrived at by dividing the total value of the item by the number of pieces in inventory.

back order. An order prepared to cover items which cannot be included in the original shipment, but which will be sent when available.

backflush. The relief (issue) of inventory by exploding the bill of material against the production count of an assembled end item. In the Inventory Management application, controlled floor stock components are relieved using the backflush technique when an item is reported as received to stock from production or when manufacturing scrap is reported.

backup copy. A copy of a file or library member that is kept for reference in case the original file or library member is destroyed. The backup copy can be stored on disk, diskette, or tape.

backward scheduling. The technique of beginning with an order due date and offsetting by operation and setup times (modified by efficiency factor) to determine the last operation's start date. Dates for prior operations are determined in a similar manner, taking into account the wait or queue time at subsequent operations. This is continued until the first operation is scheduled. Contrast with forward scheduling.

batch. (1) An accumulation of data to be processed. (2) A group of jobs to be run on a computer at one time with the same program.

batch/lot control code. The code <Y/N> indicating if an item requires batch/lot control.

batch/lot number. The number used to identify a batch or lot of an item. Each item can have multiple batches or lots. When an item is defined as having batch/lot control, all transactions involving that item must carry the batch/lot number.

batch number. A number printed on a document to delineate a group of transactions.

batch update. The process of updating master files using a group of transactions that are being held in a transaction file. Contrast with interactive and online update.

bill of material. A list of raw materials or components and the quantities needed to make an item, assembly, or end product. See modular bill.

blanket order. A purchase order that allows multiple shipments, or releases, of an item over time.

blanket release. The release of a purchase order that contains multiple shipments of an item on different due dates.

blow through. The process, during a bill of material explosion, of incorporating the components of the phantom item (rather than the phantom item itself) into material allocations.

build to order. A type of product that is assembled from a menu of standard features and options to meet a customer specification for an end item.

bulk stock. Items or materials that are not issued directly to a job. They may or may not be floor stock, and can be costed against a job. They appear in the bill of material. See floor stock.

bulk store area. An area in a warehouse that is reserved for items that are not QC, batch/lot, or FIFO date controlled; for example, packaging materials or shipping containers. Each warehouse can have up to 99 bulk store areas. In addition, bulk store area 01 (ST 01) can be defined as a Work-in-Process area for storage of uncontrolled floor stock.

capacity. A measure of the ability of existing resources (labor and machines) to absorb orders released to the shop floor.

carrying cost. The expense related to holding inventory. Some determining factors are cost of money (interest), warehouse space, insurance, taxes, obsolescence, and spoilage.

character. A digit, letter, or other symbol that is used as part of the organization, control, or representation of data.

character set. A group of characters used for a specific purpose; for example, the set of characters a printer can print.

CIM. See computer integrated manufacturing.

close. To make a file unavailable for processing.

common bill. See modular bill.

completion code. The code indicating the status of an order. Shows if the order is complete, partially complete, reopened, or has had no activity (receipts).

component. An item used to make a higher-level item. Contrast with parent.

component inventory. All inventory, not on the shop floor, maintained to support the production of finished items.

computer integrated manufacturing (CIM). The application of information processing systems technology to increase the productivity and responsiveness of the organization. All areas of the enterprise access current accurate information with consistent processing routines.

configuration. The combining of features and options with the modular (common) bill of material to produce one variant of an item.

control log. A document, generally posted daily with summary totals from other reports, that is used to prove that all entries affecting a master file or ledger have been properly posted and that the master file or ledger itself is correct.

control sheet. A document, generally posted daily with summary totals from other reports, that is used to prove that all entries affecting a master file or ledger have been properly posted and that the master file or ledger itself is correct.

control tape. Generally, an adding-machine listing of amounts from source documents. The total from this tape, once proved, is used to ensure that corresponding entries to a master file are made correctly.

controlled warehouse. A warehouse where an item can be stocked in more than one location and can optionally carry quality control codes, batch/lot numbers, and FIFO dates. You can define your warehouses as controlled or uncontrolled through the Work With Warehouses function on the File Maintenance menu (AMIM70).

cumulative material lead time. The sum of lead times (to any assembly level) on the longest lead time string in a level-by-level bill. It can vary for each item.

cumulative yield. The percentage of the parent item completed through the last operation compared to the quantity originally put into production. See also operation yield.

cursor. A movable, visible mark used to indicate the position at which the next operation will occur on the display surface. (I) (A)

cycle counting. A continuous inventory count at or near specified frequent intervals of time (weekly, monthly, quarterly). Contrast with physical inventory.

data. A representation of facts, concepts, or instructions in a formalized manner suitable for communication, interpretation, or processing by humans or automatic means. (I) (A)

data base. A set of data, part or the whole of another set of data, that consists of at least one file, and that is sufficient for a given purpose or for a given data processing system. (I) (A)

default. An alternative attribute, option, or value that is assumed when none has been specified by the user.

demand. The required shipment of an item in a specific time period. (Orders for shipment in some future time period are not considered part of the current period's demand.)

discrete allocations. The ability to selectively allocate items to manufacturing or customer orders. Items are allocated by specific batch/lot, location, and/or FIFO date.

discrete order quantity. A rule for determining order size using the period's net requirements as a lot size.

dispatch list. The work to be scheduled within a production facility. It is usually sorted into priority sequence based on the order's due date.

display. A visual presentation of data.

due date. The date by which the work on a shop order is to be completed or a purchase order is to be received.

economical order quantity (EOQ). A fixed order or production quantity that minimizes the cost of acquiring and carrying an item of inventory.

edit. To verify the form or format of data; for example, to test a data field such as customer number.

end item. The item received from production that corresponds to a level in the bill of material. After final assembly, the end item is a finished good (the product shipped to the customer).

engineering drawing. The output from a product's design phase.

enter. To send coding, data, or a message to a computer from a keyboard.

entry. The act of recording a transaction in the master file.

EOQ. Economical order quantity.

error message. (1) An indication that an error has been detected. (2) Contrast with informational message.

explosion. The calculation of how many of each of the items listed in a bill of material are required to produce a given quantity of the item represented by the bill. For example, if 500 of product A are required and A is composed of two Bs, three Cs, one D, and four Es, the explosion determines that 1000 Bs, 1500 Cs, 500 Ds, and 2000 Es are needed.

exponential smoothing. A mathematical technique that simplifies calculating historical weighted averages and reduces the need for retaining historical data. It is superior to normal weighted averages because it allows more recent periods to be weighted in the average more heavily than older periods.

extended price. The unit price multiplied by the number of units purchased. See also unit price.

feature. The options of an end item are grouped by feature. A feature can only have end items as parents and options as components. An end item can have multiple features and a feature usually has multiple options. See also option and S-number.

field. In a form, display, or record, a specified area used for a particular category of data. For example, the area on a display that is regularly used to show an item number.

FIFO. First in first out.

FIFO control. The ability to further define batch/lots based on the date received.

FIFO date. The date the item was received in stock, whether at approved or unapproved status. This field appears on displays and reports only if FIFO control is active. On Transaction Processing audit trails, the FIFO date field defaults to the transaction date if FIFO control is not active.

file. An organized collection of related records treated as a unit.

file name. An arbitrary symbol created by the programmer or program to identify and refer to a collection of related records.

finished goods. Items ready for shipment to a customer, including parts reserved for service.

firm planned order. An order whose date and quantity have been fixed, but for which no paperwork authorizing production has been released and no components have been allocated.

first in first out (FIFO). A method of valuing inventory which assumes that items are consumed in the same sequence in which they are received. Contrast with last in first out (LIFO).

fixed order quantity. A rule for determining order size that assigns a fixed quantity to all planned orders.

floor stock. Inventory issued to the plant in excess of immediate requirements; for example, a complete reel of wire when the immediate requirement is only for 50 feet. Floor stock may be controlled or uncontrolled. Uncontrolled floor stock is issued at the time it is placed on the floor. Controlled floor stock is not issued until it is used. See backflush.

forecast. An estimate of customer (independent) demand for an item for a specific period in the future.

forward scheduling. The technique of beginning with an order start date and adding planned queue time to determine the start date of the first operation. The subsequent operation start dates are determined by adding setup and run time (modified by efficiency factor) for the previous operation plus queue time at this operation. Contrast with backward scheduling.

function key. One of the keys of the work station keyboard, used to request specific functions from the system or application program.

goods received note number. A number corresponding to a receiving ticket. Most often the GRN is used by accounts payable to check that invoiced items were actually received.

GRN. Goods received note number.

GRN INV. Indicates whether or not the GRN is an IFM invoice number.

gross requirements. The required quantity of an item from all sources, such as higher-level subassemblies or the master production schedule.

hash total. A control total, accumulated manually from a batch of input documents, that helps ensure that entry of data into the computer is correct and documents are not lost. Hash totals can be kept on quantities, part number, invoice number, and so on.

ID. Identification.

immediate update. The process of updating master files immediately upon receiving a transaction from work station.

informational message. A message that is not the result of an error condition. Normally, an information message gives the status of a job or operation. Contrast with error message.

inquiry. (1) A request for information in storage. (2) A request for information that puts the system into inquiry mode.

inspect on receipt code. The code indicating if an item requires inspection on receipt to confirm that it meets design or shelf life standards.

inspection. The examining of completed production or purchased items to see that parts meet tolerances and that work has been properly completed. It may or may not be a separate operation.

interactive. Pertaining to a program or system that alternately accepts input and then responds. An interactive system is conversational; that is, a continuous dialog exists between user and system. Contrast with batch update.

interface. (1) The hardware and programs that permit exchange of information between computer systems or among devices. (2) The facility to allow information to pass from one application to another.

intersite order. A planned or open order from a requesting warehouse to a supplying warehouse for an item, in the InterSite Logistics (ISL/MISL) application. MPSP and MRP in the supplying warehouse use as demand the requirements from planned intersite orders from MRP in the requesting warehouse. When an intersite order is released (converted from planned to open), a customer order for it is created in the supplying warehouse, and MPSP and MRP treat it in planning just as they do other customer orders.

inventory accounting. The bookkeeping aspect of inventory management. It covers the processing, control, and audit of transactions that affect actual or planned availability of inventory.

inventory classification. The division of inventory into groups for analysis and control.

inventory item. An item that is defined in the Item Master, Item Balance, and (optionally) Location Quantity files. Inventory items can be allocated to manufacturing or customer orders or can be purchased by the IM application. Contrast with miscellaneous and non-inventory items.

issues. The amount of inventory released for production or sale.

item. Any raw material, manufactured or purchased part, subassembly, assembly, or end-item. (Note: Although features and phantoms have records in the Item Master file, they exist for logical convenience only; a feature does not physically exist, and although a phantom physically exists, it is almost never stocked.)

item class code. A code that describes the classification to which an item belongs. For example, ST can be used to classify items made of steel.

item process. An item process is made up of an item revision plus a routing and a bill of material. Items are not required to have item processes. An item without a bill or routing would not have a process. Thus, an item process is an engineering record that defines a site-item-revision bill of material and routing over a specific period of time. Item processes can be primary or alternate.

item revision. An item revision helps identify differences in how items evolve through their manufacturing process as brought about by engineering change. The three essential properties of an item are form, fit, and function. Form is the configuration of an item, such as shape, size, weight, or other physical properties that identify the item. Fit is the characteristic that allows an item to connect to or become a part of another item. Function is the use or performance of an item. Engineering changes (EC) drive the creation of revisions for an item. When the EC affects the form, fit, or function of an item, a revision cannot be created. All other changes can result in a revision, usually identified by a letter of alphabet A through Z.

job. (1) A unit of work for a computer; for example, a payroll job. (2) One or more related procedures or programs grouped into a first-level procedure.

kit. Usually a group of loose components in a bill of material; sometimes handled as an assembly.

last cost. The cost per unit of an item, taken from the last costed receipt.

last in first out (LIFO). A method of valuing inventory using the cost of the goods received last as the cost of the goods consumed. Contrast with first in first out (FIFO).

lead time. (1) The number of days, weeks, or months needed to place an order, process it, and receive the material into inventory. (2) An estimate of the time required in the shop from order release to availability.

left-adjust. To place data in a field so that the first significant character at the left end of the data is in the leftmost position of the field.

level. A relative point in the bill of material (product structure). Levels help describe assembly dependencies. A level-0 item is shipped to the customer. Raw material is the lowest level (highest level number) in a company's product structure.

LIFO. Last in first out.

line item. A line of information appearing on a customer or purchase order that identifies the item wanted.

load. (1) To enter data or programs into storage; for example, to load a master file. (2) The amount of capacity required for manufacturing facilities (usually by time period) based on the master production schedule, the material requirements plan, and standard operating times.

location type. Can be either of the following:

MAIN A location defined to the aisle, bay, level, or pallet position.

SUB A location defined to the subdivision position.

lot sizing. The procedure for determining the planned order quantities from a schedule of net requirements.

low-level code. A number that indicates the lowest level in all of a company's bills of material at which a specific item is found.

low-order position. The rightmost position in a string of characters.

MAD. Mean absolute deviation.

main menu. The first or primary menu in a series of menus. See also secondary menu.

manufacturing bill. The parts list used by the shop floor. It may differ from the engineering bill.

manufacturing lead time. The elapsed time from point of order to receipt in the stockroom of a manufactured item. It is calculated by summing the average queue time in each production facility and adding setup, run, and move time.

manufacturing order. An order issued to the factory to produce a component or assembly.

master file. A file that is permanent, even though its contents may change.

master level. The level in a structured bill of material at which the master production schedule items appear. It is usually either level 0 or 1, depending on the type of product.

master production schedule (MPS). A statement of how many of what items (products and options specified by customers) are planned to be produced and when. It is the major control point for planning the level of manufacturing activity.

The master production schedule is one of the major inputs to material requirements planning.

material requirements planning (MRP). The technique of planning the acquisition of items required to produce products stated in a master production schedule.

mean absolute deviation (MAD). The average forecast error.

menu. A displayed list of items from which you make a selection.

message. A series of words or symbols appearing on the display or printed output that conveys information. See also error message, informational message.

message identifier. The leading part of a message that contains information such as its source and an identification number.

milestone operation group. A set of manufacturing operations defined as a single reporting unit. Shop floor activity for all operations in the group is reported as a total when the last operation in the group is finished.

milestone sub-operation. Any of the individual operations in a milestone group.

minimum balance. The stock required to cover expected customer demand during the time it takes to order and receive new stock, plus safety stock. See also safety stock.

miscellaneous issues. Issues that are required, but cannot be identified with any particular shop order; for example, issues for items consumed in quality control or samples for trade shows.

miscellaneous item. An item that is defined in the Item Master, and optionally in the Item Balance and Location Quantity files. It cannot be allocated to a manufacturing order. Purchase orders for these types of items can be placed only by the Purchasing application, not the Inventory Management application. Contrast with inventory and non-inventory item.

modular bill. A bill of material containing only the parts common to a group of similar end items. Often a bill for a basic product, stripped of any features and options.

MPS. Master production schedule.

MRO. An acronym for maintenance, repair, and overhaul; or, maintenance, repair, and operating supplies. Used to describe items used in support of general operations and maintenance, such as, maintenance supplies, spare parts, consumables used in the support of the manufacturing process, etc. (Compare to production items, which represent the raw materials, subassemblies, and assemblies that are components of an end item that is produced by the manufacturing process.)

MRP. Material requirements planning.

multiple items code. The code <Y/N> that indicates if more than one item can be stored in a location.

multiple lots code. The code <Y/N> that indicates if more than one lot can be stored in a location.

net available. The quantity of material on hand, plus the quantity on order, minus the quantity reserved for specific purposes.

net requirements. The requirements remaining after on hand and released orders have been subtracted from gross requirements.

non-inventory item. An item that has no corresponding record in the Item Master and Item Balance files. It may be entered as a customer order line item by the COM application. Contrast with inventory and miscellaneous items.

numeric. Pertaining to the digits 0 through 9.

offline. Pertaining to equipment or devices not under control of the processing unit.

offline data entry. A form of data entry in which data is read into the computer from offline files.

on hand. (1) Pertaining to stock that is immediately available for shipment. (2) Pertaining to items available in the stockroom and within shelf life. Stock now on the receiving dock or issued to the shop floor is not considered on hand stock.

online update. The process of updating master files immediately upon receiving a transaction from a work station. Contrast with batch update.

on-order. Pertaining to stock that has been requested on manufacturing or purchase orders but has not been received.

open. To prepare a file for processing.

open item. Any active transaction within a file.

open order. See released order.

operation. A manufacturing or assembly procedure performed on an item. A routing defines the sequence of several operations.

operation sequence number. A number assigned to an operation which defines the sequence within a routing.

operation where used. A field associated with a component showing the first routing operation number where the component is used in production.

operation yield. The percentage of the expected parent quantity at the end of an operation compared to the quantity at the beginning of an operation. See also cumulative yield.

option. An option is an item that is one of many items directly related to a feature. An end item can have many options, and similar options are categorized in groups called features. For example, the option red could be included under the feature color. When you request an end item on a report, you can also specify the options

you want to see by entering them using the S-number. See also S-number and feature.

order. (1) A request from a customer for goods to be delivered or services to be performed. (2) An authorization to purchase or manufacture.

order closeout. The final processing of an order and removing it from the open order file.

order point. A quantity which is the sum of forecast demand through replenishment lead time plus safety stock.

order policy code. A code that selects from a menu of lot-sizing techniques, such as discrete, fixed order quantity, order up to quantity, and part-period balancing.

order priority. A numeric value, normally calculated by the computer, that is used to sequence events. The due date of the order, or some variation of it, is the most common priority for shop orders.

order quantity. The quantity ordered when releasing an order.

order release. (1) In customer order processing, authorization to fill a customer's order. (2) In manufacturing, authorization to assemble or fabricate a product identified by a shop order.

output data. Data delivered or ready to be delivered from a device or program, usually after some processing.

overlapping operations. The sending ahead of part of a shop order to the next operation before the entire order has been processed at the current operation. Contrast with splitting orders.

paging. Displaying the records in a file in sequence on a work station. Using this facility, you can read through an entire file rather than see just one record, as when you use inquiry.

parent. The item produced at each level of the bill of material by the assembly of its parts and raw materials. The term parent defines a relative hierarchy in a bill. For example, the parent produced at level 3 in the bill is composed of the components appearing at level 4, and the parent produced at level 4 is composed of components appearing at level 5. Contrast with component.

part-period balancing (PPB). A lot-sizing technique very similar to EOQ in that it attempts to minimize the sum of the cost of carrying inventory and the cost of acquiring inventory. PPB differs from EOQ in that it uses the current net requirements schedule, rather than a historical usage figure, in performing the calculation to minimize costs.

password. In computer security, a string of characters known to the computer system and the user, who must specify it to gain full or limited access to the system and the data stored in it.

phantom bills. Bills of material for subassemblies that are automatically fed to a higher-level assembly without intermediate stocking. Their use is not considered a level of production.

physical inventory. The counting of inventory items to determine the quantity actually on hand. It is usually performed annually; it is done informally, whenever there is a question as to the actual balance. Contrast with cycle counting.

picking list. A list of items to be taken from stock. Also referred to as a pick list.

planned issues. Issues that are anticipated and can be identified with a particular shop order.

planned order. An order, which specifies delivery date and quantity, developed in a material requirements planning system. It should become a firm order when the order release date on the schedule is within the cumulative material lead time. It is used to plan lower-level component requirements or capacity requirements. A planned order is not committed to the vendor or shop floor until it is released.

planning lead time. The sum of order handling lead time, plus quoted (vendor) lead time or manufacturing lead time, plus safety lead time. It is used by material requirements planning to offset component requirements from the due date of the higher-level assembly in which they are used. It represents an estimate of the average elapsed time from the point of recognizing the need to order until receipt in the stockroom. See quoted lead time, manufacturing lead time, safety lead time.

process sheet. (1) Documentation stored near the production facility that describes in considerable detail the operation to be performed. (2) Synonymous with routing.

processing unit. The part of a computer system that operates on data.

product cost. The sum of estimated direct material and labor costs plus an appropriate share of overhead costs.

product structure. A technique for organizing bills of material on a computer.

production control. The functional area of the business responsible for the day-to-day scheduling of plant floor resources. Shop order release, expediting, and order tracking are the primary responsibilities of this area.

production facility. A facility, normally a group of machines having similar characteristics, used to perform a manufacturing process; for example, an assembly area or milling machine center. Describes the area (group of workers or machines) in which the operations contained in the Routing file are performed. Can have run machine, run labor, setup labor, and overhead standard rates associated with it.

prompt. To issue a message to an operator requesting information or describing an action that is needed to continue processing.

purchase order. A document sent to a vendor requesting goods or services.

QC status. See QC type.

QC type. The current status of a QC item. Can be one of the following:

Waiting The item is waiting for inspection on receipt.

QC due The item is waiting for inspection due to expiration of shelf life.

Checked Inspection not currently required, the item is within shelf life.

Reject The item is rejected, waiting disposal or rework.

N/A QC inspection not applicable for the item

QC type code. The numeric code corresponding to a QC type. Can be one of the following:

- 1** Shelf Life/Chk (Shelf Life/Checked). The item is within shelf life; inspection not yet required.
- 2** No Shelf Life. The item does not have a shelf life.
- 6** Due inspection. The item is waiting for inspection due to expiration of shelf life.
- 7** Mfg Waiting (Manufactured Item Waiting). The item is waiting for inspection on receipt.
- 8** Reject. The item is rejected, waiting disposal or rework.
- 9** Pch Waiting (Purchased Item Waiting). The item is waiting for inspection on receipt.

quality control area. An area in a warehouse that is used as a holding or quarantine location. Each warehouse can have up to 99 QC areas.

quality control code. The code <Y/N> indicating if an item is subject to quality control inspection during its shelf life.

quantity per. The quantity of a component item required to make a standard batch quantity of the parent item. See also adjusted quantity per and standard quantity per.

queue. (1) A waiting line or list formed by items in a computer system waiting for service; for example, jobs to be performed. (2) In manufacturing planning systems, the backlog of work waiting to be processed at a production facility.

quoted lead time. The elapsed time (from point of order to receipt at the receiving dock) the vendor quotes for delivery.

raw materials inventory. Items used in the production of component parts.

reactivate. To change the status of a record in a file from suspended to active.

reason code. A user-defined code that indicates the reason for a transaction; for example, NR for not to be reworked.

receipts. Merchandise or stock that is received in inventory.

reconciliation. Comparing two values of the same measurement and adjusting them to force agreement; for example, reconciling book inventory to the physical count.

record. (1) A collection of related data that is treated as a unit. For example, one line of an invoice could constitute a record. (2) To store data on a reusable input/output medium, such as a disk, diskette, or tape.

reference. A user-defined field that is used to cross reference one transaction with another.

register. A record for the consecutive entry of a certain class of events, documents, or transactions, with a proper notation of all the required particulars.

release. (1) To authorize an order commitment by changing a planned order into a purchase order or shop order. (2) To specify a date and quantity to be shipped under a blanket order. (3) To ship goods to a customer.

release date. The date on which a planned order is reviewed for release to the shop floor. See also start date.

released order. An order that has been issued to the shop floor or a vendor. Once released, it is a commitment that can only be canceled or rescheduled.

reorder point. Synonym for minimum balance.

reporting period. Synonym for accounting period.

requirements. The required quantity of an item needed to fill an order. See scheduled requirements.

requisition. An authorization to purchase materials or release quantities of items from stock.

rework. Defective fabricated parts that are sent through extra operations to correct the defect.

right-adjust. To place data in a field so that the last significant character at the right end of the data is placed in the rightmost position of the field.

routing. A list describing the sequence of operations required to make an item.

routing operation description. A record providing descriptive information about a manufacturing routing in addition to that contained in the original routing record. Multiple records can be used.

run time. The elapsed time an item is actually being operated on in a production facility. It is calculated by multiplying order quantity by time per piece.

run-time option. A specification, made when a computer job is run, that tells how the job is to be run.

safety lead time. An amount of time sometimes added to the planned lead time of a purchased item to compensate for a vendor's unreliable delivery performance.

safety stock. The quantity of an item carried in excess of expected demand to meet unexpected increases in demand.

sales analysis. The statistical accumulation of data regarding the sale of goods made by a company in various classifications and categories.

schedule. To determine start dates and due dates for shop orders.

scheduled requirements. The required quantity of a component, calculated from the bill of materials, needed for a manufacturing order.

scrap. (1) The unusable by-product from an operation or a ruined part or assembly that cannot be used in later production. (2) To separate ruined or unusable parts from the current production lot and report the quantity set aside.

scrap factor. See shrinkage factor.

secondary menu. A menu showing an expanded list of options for an option that appears on a main menu. See also main menu.

send ahead. See overlapping operations.

service part. A part, assembly, or kit shipped to a customer for maintenance purposes.

session. The elapsed time between operator signon and operator signoff.

session date. The date associated with a session. If a session date is not entered, the session date becomes the same as the system date. See also system date.

setup. The procedure (costs) associated with getting a production facility (machine) ready to produce a new item. The procedure is not usually dependent on the number of items to be produced. For the sake of simplicity, the costs of removing the setup (teardown) are usually included. Contrast with teardown.

shelf life. The number of days a quality control item can remain on the shelf before inspection is required.

shop order. See manufacturing order.

shop packet. The necessary documents for processing a shop order.

shrinkage factor. A percentage used to increase the quantity on a planned or released shop order to allow for scrap. An alternate method is to use it to increase gross requirements.

site. Defines a grouping of engineering records. A site can take several forms. Examples of a site are: central engineering site serving multiple warehouses or plants, single engineering site assigned to a single warehouse or plant, simulation site for developing new product costs. Item Master, product structure, production facility, and routing records are keyed by site.

S-number (Select-number). Indicates the set of options you want for this end item for this retrieval. The S-number has a field length of 20 and is only seen on the Product Structure retrieval displays and then only if features and options were installed. One option number for each feature for a specific end item can be entered in the S-number. The option numbers in the S-number correspond by location to the field size template established when you answered the PDM Questionnaire. See also feature and option.

sort. To arrange records in a specified sequence, according to data contained in one or more specific fields within the records.

special character. A character other than alphabetic or numeric.

splitting orders. The practice of dividing the original order into multiple orders and expediting a smaller quantity than was originally started. It is costly because of additional setup and material handling. It is of limited value unless run times are long. Contrast with overlapping operations.

staging. The practice of pulling components from inventory and placing them in special areas well in advance of actual need.

standard cost. Costs derived from engineering standards for material and labor.

standard order quantity. An established number of pieces ordered when the minimum balance or reorder point for an item is reached.

standard quantity per. The quantity of the component item required to make a standard batch quantity of the parent item. This number includes no adjustment for operation yield. See also quantity per and adjusted quantity per.

start date. The date work is to begin on an order. This is when materials are picked and delivered to the first production facility. See also release date.

stock location. A place where a specific stock item can be found, including the following identifiers: warehouse, aisle, bay, level, pallet, and subdivision. Although these identifiers appear throughout the application, you can use any previously established designations.

Aisle The row of the stock location.

Bay The vertical location in an aisle.

Level The horizontal location in an aisle.

Pallet The lowest division in a bay/level.

Subdivision The lowest division in a pallet.

There can be up to five subdivisions per pallet. They are defined either as numbers (1-5) or letters (A-E) during application tailoring.

stock status report. A report that shows pertinent data for each item in inventory; for example, the quantity on hand, on order, or reserved.

supplier. See vendor.

suspend. An Item Balance file record can be suspended to limit activity against it. For example, if an item is suspended, no new orders can be processed against it. This might be done if an item is being phased out.

system date. The date assigned by the system operator during initial program load. Generally, the system date is the same as the actual date. See also session date.

taxing authority. One of the federal, state, or local agencies that levies taxes.

teardown. Dismantling of assembly jigs, cleaning of vats or machines, etc. Contrast with setup.

tools. Items used primarily in fabrication and normally identified with a particular operation on a routing.

tracking signal. A value maintained by a computer-based forecasting system that detects significant changes in demand.

transaction code. A two-character code that identifies inventory activities such as issues, receipts, scrap, inspect, etc.

transaction date. The date a particular transaction was entered against an item.

transaction file. A file containing relatively transient data that, for a given application, is processed together with the appropriate master file. (I)

transaction history. A sequential record of all transactions related to a major accounting activity. For example, an inventory transaction history includes all transactions related to or affecting inventory balances and costs.

transaction register. A list of transactions (issues, receipts, and adjustments) affecting the balance of material on hand.

unapproved items. Items whose QC type is QC due, Reject, or Waiting.

unavailable items. See unapproved items.

uncontrolled item. An item that does not require batch/lot control.

uncontrolled warehouse. A warehouse where an item can be stocked in only one location. Quality control, batch/lot control, and FIFO dates are not available. You can define your warehouses as controlled or uncontrolled through the Work With Warehouses function on the File Maintenance menu (AMIM70).

unit of measure. A code indicating the measurement basis for inventory such as each, pound, tons, gallons, or feet.

unit price. The price per standard unit of a product or service. See also extended price.

unplanned issues. Issues that are not anticipated but can still be identified with a particular shop order; for example, scrap.

update. To modify a master file with current information according to a specified procedure.

user ID. (1) A special ID assigned to an operator only if you use security. It is not the security password. This ID appears on report headings with the label OPER if you use security. (2) A string of characters that uniquely identifies a user to a system.

user sequence. The user-designated sequence number, together with the component item number, is used to establish the sequence of the bills of material.

variance. The difference between standard and actual performance. Variance analysis can be applied to costs, labor or machine hours, counts and balances, etc.

vendor. A seller of goods or services.

warehouse stock location. The identification of the physical location of inventory storage.

work-in-process area. A stock location containing items released to the shop floor and not reported finished; for example, raw materials, subassemblies, and component parts. In Inventory Management, bulk store area 01 can be reserved for this use.

work order. See manufacturing order.

work station. A device that lets a person transmit information to or receive information from a computer, or both, as needed to perform a job.

yield factor. See shrinkage factor.

Contents	Index	Exit
--------------------------	-----------------------	----------------------

Index

Numerics

856 (ANSI X.12 transaction) 1-3, 2-56, 5-306, 14-15
861 (ANSI X.12 transaction) 1-3, 2-56, 5-306, 14-15

A

ABC analysis

option on AMIM21 4-22
Report Options display—AMI2F1 4-23
Report—AMI2H 14-9

account

Account Assignment Register—AMIGZ 14-11
assignment rules 13-7
assignment, Rule Management, option on AMIMB0 13-22
class
item accounting class 2-47
order accounting class 2-47
production facility accounting class 2-47
schedule accounting class 2-47
controls and audits forms 15-39
types 13-6, 13-158

accounting

class
item accounting class 13-5
order accounting class 13-5
production facility accounting class 13-5
schedule accounting class 13-5
summary table 13-5

Accounts Payable application 1-3

Add Calendar Header—AMVWVC1R1 9-99

add location quantities 2-54

adjusted

quantity per 2-38
run hours 2-38

advance shipping notices

ANSI X.12 856 transaction 1-3, 2-56, 5-306
option on AMIM30 5-306
Report —AMIPSN0P 14-15

All Lots Approved and Not Approved (Inquiry) display—AMIWA3 3-47

allocations

by Batch/Lot (Inquiry) display—AMINM3 3-64
by Item (Inquiry) display—AMINM2 3-62
by Order (Inquiry)—AMINM4 3-66
customer order inquiry 3-66
discrete
(Select)—AMINF1 5-285, 5-289
(Select)—AMING3 5-293
(Select)—AMINM1 3-60
code setup 2-49
component item issues 5-91
miscellaneous items 2-6, 2-55
order closeout 6-108
order entry 6-2
overview 2-34
uncontrolled 2-26

- use as controls 2-32
 - whether picked 5-319
 - Worksheet (Select)—AMINI1 5-282
 - zero count 7-34
- item
 - (Allocate or De-allocate)—AMING4 5-295
 - (Select)—AMING2 5-291
- manufacturing
 - component 2-31, 2-32, 2-35, 6-3
 - controlled floor stock 2-18–2-21
 - Discrete Allocation (Select) 5-287
 - item inquiry 3-14
 - order 6-2
 - order inquiry 3-66
 - order, splitting 6-3
 - uncontrolled floor stock 2-17
- Quantity file updates E-1
- allocations, manufacturing, order closeout 6-103
- alpha factor 2-42
 - average period-end balance 2-42
 - average sales per period 2-42
 - estimated average annual usage 2-42
- alphabetic and numeric subdivisions 2-15
- AMC530—Order Closeout Options—Reporting and Purge display 6-110
- AMC531—Order Closeout Options—Work Center Analysis Report display 6-112
- AMC532—Order Closeout Options—Routing Current Values Update display 6-114
- AMC533—Order Closeout Options—Routing Current Values Update display 6-115
- AMC53A—Order Closeout Options—Select Site display 6-109
- AMEC70—Product Structure Retrievals (Select) display 3-5
- AMEC71—Single Level Bill of Material (Inquiry) display 3-6
- AMI1A1—Item Balance Detail All Warehouses (Inquiry) display 3-9
- AMI1A1—Select warehouses window 3-12
- AMI1A1W—Item Balance Detail All Warehouses (Select Warehouses) 3-12
- AMI1B1—Item Balance Inquiry—Mfg Allocations (Inquiry) display 3-14
- AMI1C1—Item Balance Inquiry—Sales History (Inquiry) display 3-29
- AMI1D2—Open Orders Inquiry (Inquiry) display 3-19
- AMI1E1—Item Availability (Inquiry) display 3-24
- AMI1F1—Purchase Order Inquiry by Order (Inquiry) (line item detail) display 3-35
- AMI1F2—Purchase Order Inquiry by Order (Inquiry) (blanket release detail) display 3-38
- AMI2A1—Stock Status Review Report Options display 4-8
- AMI2B—Inventory Stock Status Review report 14-64
- AMI2C1—Purchase Order Status Report Options display 4-14
- AMI2C2—Manufacturing Order Status Report Options display 4-17
- AMI2C3—Purchase and Manufacturing Order Status Report Options display 4-20
- AMI2D—Purchase Order Status Report 14-261
- AMI2E—Manufacturing Order Status Report 14-175
- AMI2F1—ABC Analysis Report Options display 4-23
- AMI2G—Annual Usage Extension report 14-16
- AMI2H—ABC Analysis Report 14-9
- AMI2I1—Financial Stock Analysis Report Options display 4-26
- AMI2I2—Stock Movement Analysis Report Options display 4-29
- AMI2K1—Inventory Analysis Report—Financial 14-56
- AMI2K2—Inventory Analysis Report—Stock Movement 14-59
- AMI2L1—Inventory Reorder Report Options display 4-33
- AMI2M—Inventory Reorder Report 14-61
- AMI2N—Control Total—Item Balance File report 14-26
- AMI2P1—Follow-up Shortage Report Options display 4-39
- AMI2P2—Follow-up Shortage Report Options display 4-41

AMI2P3—Follow-up Shortage Report Limits display 4-43
AMI2R1—Transaction History—Restore Options (Select) display 10-55
AMI2R2—Restore Inventory Transaction History (Select) display 10-56
AMI2S1—Item Balance File List, Report Options display 4-66
AMI2T—Item Balance File List 14-85
AMI2U1—Transaction History—Report Selection (Select) display 10-40
AMI2U2—Transaction History—Report Options (Select) display 10-42
AMI2U3—Transaction Analysis (Select) display 10-45
AMI2U4—Batch/Lot Review (Select) display 10-47
AMI2V1—Remove History Archive Records (Select) display 10-60
AMI2W1—Transaction History—Purge Options report 14-329
AMI2X1—Transaction History—Purge Options (Select) display 10-50, 10-53
AMI2Z2—Transaction History—Single Item report 14-330
AMI2Z3—Transaction History—Multiple Items report 14-325
AMI3B—Inventory Transaction Edit List 14-68
AMI3D01—Inventory Transaction, Transaction Selection (Select) 5-14
AMI3D02B—Inventory Transaction—Cost Adjustment (CA) (Review) (Batch Update) display 5-19
AMI3D02E—Inventory Transaction—Cost Adjustment (CA) (Enter) display 5-17
AMI3D02I—Inventory Transaction—Cost Adjustment (CA)(Review) (Immediate Update) display 5-21
AMI3D03B—Inventory Transaction - Average Cost Replace (CR) (Review) (Batch Update) display 5-25
AMI3D03E—Inventory Transaction—Average Cost Replace (CR) (Enter) display 5-23
AMI3D03I—Inventory Transaction - Average Cost Replace (CR) (Review) (Immediate Update) display 5-27
AMI3D04B—Inventory Transaction - Standard Cost Replace (CS) (Review) (Batch Update) display 5-31
AMI3D04E—Inventory Transaction—Standard Cost Replace (CS) (Enter) display 5-29
AMI3D04I—Inventory Transaction - Standard Cost Replace (CS) (Review) (Immediate Update) display 5-33
AMI3D05B—Inventory Transaction - Inventory Adjustment (IA) (Review) (Batch Update) display 5-38
AMI3D05E—Inventory Transaction—Inventory Adjustment (IA) (Enter) display 5-35
AMI3D05I—Inventory Transaction - Inventory Adjustment (IA) (Review) (Immediate Update) display 5-40
AMI3D06B—Inventory Transaction - Planned Manufacturing Issue (IP) (Review) (Batch Update) display 5-45
AMI3D06E—Inventory Transaction—Planned Manufacturing Issue (IP) (Enter) display 5-42
AMI3D06I—Inventory Transaction - Planned Manufacturing Issue (IP) (Review) (Immediate Update) display 5-47
AMI3D07B—Inventory Transaction—Miscellaneous Issue (IS) (Review) (Batch Update) display 5-51
AMI3D07E—Inventory Transaction—Miscellaneous Issue (IS) (Enter) display 5-49
AMI3D07I—Inventory Transaction - Miscellaneous Issue (IS) (Review) (Immediate Update) display 5-53
AMI3D08B—Inventory Transaction—Unplanned Component Issue (IU) (Review) (Batch Update) display 5-58
AMI3D08E—Inventory Transaction—Unplanned Component Issue (IU) (Enter) display 5-55
AMI3D08I—Inventory Transaction—Unplanned Component Issue (IU) (Review) (Immediate Update) display 5-60
AMI3D09B—Inventory Transaction—Interwarehouse Transfer (TW) (Review) (Batch Update) display 5-66
AMI3D09E—Inventory Transaction—Interwarehouse Transfer (TW) (Enter) display 5-62
AMI3D09I—Inventory Transaction—Interwarehouse Transfer (TW) (Review) (Immediate Update) display 5-68
AMI3D10B—Inventory Transaction—Interwarehouse Issue (IW) (Review) (Batch Update) display 5-73
AMI3D10E—Inventory Transaction—Interwarehouse Issue (IW) (Enter) display 5-70
AMI3D10I—Inventory Transaction—Interwarehouse Issue (IW) (Review) (Immediate Update) display 5-75
AMI3D11B—Inventory Transaction—Pick Complete by Item (PB) (Review) (Batch Update) display 5-79
AMI3D11E—Inventory Transaction—Pick Complete by Item (PB) (Enter) display 5-77
AMI3D11I—Inventory Transaction—Pick Complete by Item (PB) (Review) (Immediate Update) display 5-81
AMI3D12E—Inventory Transaction - Pick Complete by Item (PB)—Order Issues (Enter) display 5-83
AMI3D13B—Inventory Transaction—Pick Complete by Order (PC) (Review) (Batch Update) display 5-87
AMI3D13E—Inventory Transaction—Pick Complete by Order (PC) (Enter) display 5-85
AMI3D13I—Inventory Transaction—Pick Complete by Order (PC) (Review) (Immediate Update) display 5-89
AMI3D14E—Inventory Transaction - Pick Complete by Order (PC)—Component Item Issues (Enter) display 5-91

AMI3D14L—Inventory Transaction—Pick Complete by Order (PC) (Enter) display 5-95
AMI3D15B—Inventory Transaction—Miscellaneous Receipt (RC) (Review) (Batch Update) display 5-100
AMI3D15E—Inventory Transaction—Miscellaneous Receipt (RC) (Enter) display 5-97
AMI3D15I—Inventory Transaction—Miscellaneous Receipt (RC) (Review) (Immediate Update) display 5-102
AMI3D16B—Inventory Transaction—Purchase Receipt to Dock (RD) (Review) (Batch Update) display 5-107
AMI3D16E—Inventory Transaction—Purchase Receipt to Dock (RD) (Enter) display 5-104
AMI3D16I—Inventory Transaction—Purchase Receipt to Dock (RD) (Review) (Immediate Update) display 5-109
AMI3D17B—Inventory Transaction—Purchase Receipt to Inspection (RI) (Review) (Batch Update) display 5-115
AMI3D17E—Inventory Transaction—Purchase Receipt to Inspection (RI) (Enter) display 5-111
AMI3D17I—Inventory Transaction—Purchase Receipt to Inspection (RI) (Review) (Immediate Update) display 5-117
AMI3D18B—Inventory Transaction—Production Receipt (RM) (Review) (Batch Update) display 5-124
AMI3D18E—Inventory Transaction—Production Receipt (RM) (Enter) display 5-119
AMI3D18I—Inventory Transaction—Production Receipt (RM) (Review) (Immediate Update) display 5-126
AMI3D19B—Inventory Transaction—Purchase Receipt to Stock (RP) (Review) (Batch Update) display 5-133
AMI3D19E—Inventory Transaction—Purchase Receipt to Stock (RP) (Enter) display 5-128
AMI3D19I—Inventory Transaction—Purchase Receipt to Stock (RP) (Review) (Immediate Update) display 5-135
AMI3D20B—Inventory Transaction—Component Return to Stock (RS) (Review) (Batch Update) display 5-141
AMI3D20E—Inventory Transaction—Component Return to Stock (RS) (Enter) display 5-137
AMI3D20I—Inventory Transaction—Component Return to Stock (RS) (Review) (Immediate Update) display 5-143
AMI3D21B—Inventory Transaction—Interwarehouse Receipt (RW) (Review) (Batch Update) display 5-148
AMI3D21E—Inventory Transaction—Interwarehouse Receipt (RW) (Enter) display 5-145
AMI3D21I—Inventory Transaction—Interwarehouse Receipt (RW) (Review) (Immediate Update) display 5-150
AMI3D22B—Inventory Transaction—Sales Shipment (SA) (Review) (Batch Update) display 5-155
AMI3D22E—Inventory Transaction—Sales Shipment (SA) (Enter) display 5-152
AMI3D22I—Inventory Transaction—Sales Shipment (SA) (Review) (Immediate Update) display 5-157
AMI3D23B—Inventory Transaction—Manufacturing Component Scrap (SC) (Review) (Batch Update) display 5-162
AMI3D23E—Inventory Transaction—Manufacturing Component Scrap (SC) (Enter) display 5-159
AMI3D23I—Inventory Transaction—Manufacturing Component Scrap (SC) (Review) (Immediate Update) display 5-164
AMI3D24B—Inventory Transaction—Manufacturing Order Scrap (SM) (Review) (Batch Update) display 5-169
AMI3D24E—Inventory Transaction—Manufacturing Order Scrap (SM) (Enter) display 5-166
AMI3D24I—Inventory Transaction—Manufacturing Order Scrap (SM) (Review) (Immediate Update) display 5-171
AMI3D25B—Inventory Transaction—Purchase Order Scrap (SP) (Review) (Batch Update) display 5-176
AMI3D25E—Inventory Transaction, Purchase Order Scrap (SP) (Enter) display 5-173
AMI3D25I—Inventory Transaction—Purchase Order Scrap (SP) (Review) (Immediate Update) display 5-178
AMI3D26B—Inventory Transaction—Scrap From Stock (SS) (Review) (Batch Update) display 5-182
AMI3D26E—Inventory Transaction—Scrap From Stock (SS) (Enter) display 5-180
AMI3D26I—Inventory Transaction—Scrap From Stock (SS) (Review) (Immediate Update) display 5-184
AMI3D27E—Inventory Transaction—Controlled Floor Stock Component Issue (Enter) display 5-186
AMI3D28E—Inventory Transaction—Dispatch Materials Inquiry (Enter) display 5-190
AMI3D29—Inventory Transaction, Batch Status display 5-193
AMI3D31R—Inventory Transaction, Summary Review (Review) display 5-195
AMI3D32R—Inventory Transaction, Detail Review (Review) display 5-199
AMI3D33B—Inventory Transaction—Purchase Order Update Routings (UR) (Review) (Batch Update) display 5-206

AMI3D33E—Inventory Transaction—Purchase Order Update Routings (UR) (Enter) display 5-203
 AMI3D33I—Inventory Transaction—Purchase Order Update Routings (UR) (Review) (Immediate Update) display 5-208
 AMI3D34B—Inventory Transaction—Purchase Receipt to Dock (RD) (Review) (Batch Update) display 5-213
 AMI3D34E—Inventory Transaction—Purchase Receipt to Dock (RD) (Enter) display 5-210
 AMI3D34I—Inventory Transaction—Purchase Receipt to Dock (RD) (Review) (Immediate Update) display 5-215
 AMI3D34R—Inventory Transaction—Purchase Receipt to Dock (RD) (Entered/Review) display 5-217
 AMI3D35B—Inventory Transaction—Purchase Receipt to Inspection (RI) (Review) (Batch Update) display 5-223
 AMI3D35E—Inventory Transaction—Purchase Receipt to Inspection (RI) (Enter) display 5-219
 AMI3D35I—Inventory Transaction—Purchase Receipt to Inspection (RI) (Review) (Immediate Update) display 5-225
 AMI3D35R—Inventory Transaction—Purchase Receipt to Inspection (RI) (Enter/Review) display 5-227
 AMI3D36B—Inventory Transaction—Purchase Receipt to Stock (RP) (Review) (Batch Update) display 5-233
 AMI3D36E—Inventory Transaction—Purchase Receipt to Stock (RP) (Enter) display 5-229
 AMI3D36I—Inventory Transaction—Purchase Receipt to Stock (RP) (Review) (Immediate Update) display 5-235
 AMI3D36R—Inventory Transaction—Purchase Receipt to Stock (RP) (Enter/Review) display 5-237
 AMI3D37B—Inventory Transaction—Purchase Order Vendor Accept (VA) (Review) (Batch Update) display 5-242
 AMI3D37E—Inventory Transaction—Purchase Order Vendor Accept (VA) (Enter) display 5-239
 AMI3D37I—Inventory Transaction—Purchase Order Vendor Accept (VA) (Review) (Immediate Update) display 5-244
 AMI3D37R—Inventory Transaction—Purchase Order Vendor Accept (VA) (Enter/Review) display 5-246
 AMI3D38B—Inventory Transaction—Purchase Return to Vendor (VR) (Review) (Batch Update) display 5-252
 AMI3D38E—Inventory Transaction—Purchase Return to Vendor (VR) (Enter) display 5-248
 AMI3D38I—Inventory Transaction—Purchase Return to Vendor (VR) (Review) (Immediate Update) display 5-254
 AMI3E—Inventory Transaction Batch Extract report 14-67
 AMI3X—Inventory Transaction Batch Control Update report 14-66
 AMI3Z1—Inventory Transaction, Data Entry Control display 5-11
 AMI4A10—Order Entry—Manufacture Split (Select) display 6-60
 AMI4A11—Order Entry—Mfg Per Cust Order (Select) display 6-61
 AMI4A12—Order Entry—Purchase/Manufacture (Status) display 6-64
 AMI4A13—Order Entry—Operation Detail—Additional Description (Enter) display 6-66
 AMI4A13R—Order Entry—Operation Detail—Additional Description (Review) display 6-68
 AMI4A15—Order Entry—Milestone Group—Define/Remove (Enter) display 6-70
 AMI4A15R—Order Entry—Milestone Group—Define/Remove (Review) display 6-72
 AMI4A1—Order Entry—Purchase/Manufacture (Select) display 6-8
 AMI4A2—Order Entry—Purchase (Enter) display 6-10
 AMI4A2R—Order Entry—Purchase (Review) display 6-13
 AMI4A3—Order Entry—Blanket Release (Enter) display 6-15
 AMI4A3R—Order Entry—Blanket Detail (Review) display 6-17
 AMI4A4A—Order Entry—Component Availability (Enter) display 6-27
 AMI4A4AR—Order Entry—Component Availability (Review) display 6-30
 AMI4A4—Order Entry—Manufacture (Enter) display 6-19
 AMI4A4R—Order Entry—Manufacture (Review) display 6-25
 AMI4A5—Order Entry—Component Detail (Enter) display 6-32
 AMI4A5R—Order Entry—Component Detail (Review) display 6-35
 AMI4A6—Order Entry—Operation Detail (Enter) display 6-37
 AMI4A6R—Order Entry—Operation Detail (Review) display 6-41
 AMI4A7—Order Entry—Miscellaneous Detail (Enter) display 6-43
 AMI4A7R—Order Entry—Miscellaneous Detail (Review) display 6-46
 AMI4A8—Order Entry—Manufacture Split (Enter) display 6-48

AMI4A8R—Order Entry—Manufacture Split (Review) display 6-51
AMI4A9—Order Entry—Mfg Per Cust Order (Enter) display 6-53
AMI4A9R—Order Entry—Mfg Per Cust Order (Review) display 6-58
AMI4D—Order Entry Batch Control Update—Purchase/Manufacture report 14-213
AMI4E0—Shop Packet Creation Options—Multiple Orders Selection display 6-84
AMI4E1—Shop Packet Creation Options—Multiple Order Selection—Date Range display 6-86
AMI4E2—Shop Packet Creation Options—Multiple Order Selection—Order Number Range 6-88
AMI4E3—Shop Packet Options—Multiple Orders displays 6-89
AMI4E4—Shop Packet Options—Multiple Orders displays 6-92
AMI4E6—Shop Packets—Individual Orders—Report Detail display 6-96, 9-91
AMI4E7—Shop Packets—Individual Orders—Additional Report Details display 6-99, 9-94
AMI4H1—Shop Packet Worksheet 14-285
AMI4H2—Shop Packet Worksheet 14-291
AMI4H3—Shop Packet Worksheet 14-296
AMI4I1—Shop Packet Worksheet 14-302
AMI4I2—Shop Packet Worksheet 14-308
AMI4I3—Shop Packet Worksheet 14-313
AMI4K1—Order Closeout—Production Report 14-202
AMI4M—Order Release Batch Extract and B/M Explosion report 14-239
AMI4N—Order Release Summary and Material Detail Update report 14-240
AMI4O1—Manufacturing Orders Released report 14-181
AMI4O2—Manufacturing Orders Closed report 14-178
AMI4O2—Item Shortage Report—Order Release 14-125
AMI4O3—Item Shortage Report—Follow-up Analysis 14-120
AMI4R—Purchase Orders Closed/Released report 14-265
AMI4S1—Order Closeout—Selection—Purchase/Manufacture display 6-103
AMI4S2—Order Closeout—By Date—Purchase/Manufacture display 6-106
AMI4S—Order Closeout Selection by Order Audit List—Purchase/Manufacture 14-210
AMI4T—Order Closeout Selection by Date Audit List—Purchase/Manufacture 14-208
AMI4U—Order Closeout Summary and Material Purge Audit List 14-212
AMI4W2—Order Shortage Report—Order Release 14-241
AMI4W3—Customer Order Shortage Report—Follow-up Analysis 14-33
AMI4W4—Manufacture Order Shortage Report—Follow-up Analysis 14-164
AMI4X—Order Release Batch Control Update—Purchase/Manufacture report 14-238
AMI4Z1—Order Entry—Purchase/Manufacture—Data Entry Control display 6-5
AMI56A—Variance Report display 7-39
AMI5A0—Physical Inventory Selection (Caution) display 7-11
AMI5A1—Physical Inventory Selection Report Options display 7-13
AMI5A2—Total Physical Selection—Controlled Warehouses Report Options display 7-15
AMI5A3—Total Physical Selection—Uncontrolled Warehouses Report Options display 7-17
AMI5A4—Cycle Count Selection—Controlled Warehouses Report Options display 7-20
AMI5A5—Cycle Count Selection—Uncontrolled Warehouses Report Options display 7-23
AMI5B—Cycle Count/Physical Inventory List for Controlled/Uncontrolled Warehouses 14-35
AMI5C1—Physical Inventory Edit Listing 14-253
AMI5C2—Physical Inventory Edit Final Totals 14-253
AMI5E1—Physical Inventory (Enter) display 7-28
AMI5E2—Physical Inventory (Review) display 7-30
AMI5E3—Physical Inventory Entry Batch Status display 7-32
AMI5F—Physical Inventory Attach Final Totals report 14-251
AMI5H2—Items Selected for Physical Inventory/Cycle Count report 14-128
AMI5H—Inventory Valuation and Variance Report 14-79
AMI5J—Physical Transaction Register—Approved/Unapproved
 Error Items 14-254
 Processed Items 14-255
AMI5X—Physical Inventory Batch Control Update report 14-252
AMI5Z1—Physical Inventory Data Entry Control display 7-26
AMI6A1—Closing Stock Status display 8-5
AMI6A2—Closing Stock Status—Options display 8-7

AMI6C—Period-End/Year-End Inventory Stock Status report 14-249
AMI6D1—LIFO or FIFO Inventory Valuation—Report Options display 8-12
AMI6D2—LIFO/FIFO Inventory Valuation—Report Options display 8-14
AMI6E—LIFO/FIFO Inventory Valuation Report 14-130
AMI6F1—LIFO or FIFO Transaction Purge and List Options display 8-17
AMI6F2—LIFO/FIFO Transaction Purge and List Options display 8-19
AMI6G—LIFO Transaction Reconciliation report 14-135
AMI6H1—LIFO or FIFO Transaction Maintenance (Stop) display 8-22
AMI6H2—LIFO or FIFO Transaction Maintenance (Warning) display 8-23
AMI6H3—LIFO or FIFO Transaction Maintenance (Select) display 8-24
AMI6H4—LIFO or FIFO Transaction Maintenance (Add) display 8-25
AMI6H5—LIFO or FIFO Transaction Maintenance (Change) display 8-27
AMI6H6—LIFO or FIFO Transaction Maintenance (Delete) display 8-29
AMI6H7—LIFO or FIFO Transaction Maintenance (Status) display 8-30
AMI6H—LIFO/FIFO Transaction File Maintenance Edit List 14-133
AMI6I—LIFO/FIFO Transaction File Edit report 14-132
AMI7A1—Item Balance File Maintenance (Select) display 9-31
AMI7A3
 Item Balance File Maintenance
 (Delete) display 9-40
 (Reactivate) display 9-40
 (Suspend) display 9-40
AMI7A4—Item Balance File Maintenance
 (Add) display 9-41
 (Change) display 9-41
AMI7A5
 Item Balance File Maintenance
 (Add) display 9-44
 (Change) display 9-44
AMI7A6—Item Balance File Maintenance (Status) display 9-46
AMI7A7—Item Balance File Maintenance—Repetitive Manufacturing
 (Add) display 9-48
 (Change) display 9-48
AMI7A8—Item Balance File Maintenance—Planning Information
 (Add or Change) display 9-51
AMI7A—Item Balance File Maintenance Edit List 14-101
AMI7B1—Purchase Order Item Detail File Maint. (Select) display 9-60
AMI7B2—Purchase Order Item Detail File Maint. (Change) display 9-62
AMI7B3—Purchase Order Item Detail File Maint. (Status) display 9-65
AMI7B—Purchase Order Item Detail Maintenance Edit List 14-259
AMI7C1—P.O. Blanket Release Detail File Maint. (Select) display 9-67
AMI7C2—P.O. Blanket Release Detail File Maint. (Add) display 9-69
AMI7C3—P.O. Blanket Release Detail File Maint. (Delete) display 9-71
AMI7C4—P.O. Blanket Release Detail File Maint. (Status) display 9-73
AMI7C—P.O. Blanket Release Detail Maintenance Edit List 14-247
AMI7D1—Mfg Order Master File Maintenance (Select) display 9-76
AMI7D2—Manufacturing Order Master File Maintenance (Change) display 9-77
AMI7D3—Manufacturing Order Master File Maintenance (Status) display 9-81
AMI7D—Manufacturing Order Master Maintenance Edit List 14-172
AMI7E1—Manufacturing Order Detail File Maintenance (Select) display 9-83
AMI7E2—Manufacturing Order Detail File Maintenance (Add or Change) display 9-85
AMI7E3—Manufacturing Order Detail File Maintenance (Delete) display 9-88
AMI7E4—Manufacturing Order Detail File Maintenance (Status) display 9-89
AMI7E—Manufacturing Order Detail File Maintenance Edit List 14-169
AMI7H1—Calendar File Load Report 14-22
AMI9A2—Mfg Allocation Audit Exception List/Run Statistics 14-199
AMI9C2—Purchase/Mfg On-Order Audit Exception List–Run Statistics 14-258
AMI9D—Pick Requirements Audit Exception List 14-257

AMI911—Material Picking List—By Order 14-184
AMI912—Material Picking List—Consolidated 14-187
AMI913—Material Picking List—By Order 14-189
AMI914—Material Picking List—Consolidated 14-192
AMI915—Material Picking List—By Order 14-194
AMI916—Material Picking List—Consolidated 14-197
AMIC21—Location Quantity/Item Balance Audit 14-144
AMIC51—Order Release (Select) display 6-76, 6-80
AMIC51—Physical Inventory Update (Select) display 7-42
AMIC51—Transaction Register (Select) display 5-260
AMIC51—Variance Report (Select) display 7-37
AMIC52—Order Release Option display 6-77, 6-81
AMIC52—Physical Inventory Option display 7-44
AMIC52—Transaction Register Option display 5-262
AMIC52—Variance Report Option display 7-38
AMICA—Location Detail—Individual Locations report 14-138
AMICB—Location Detail—Multiple Locations report 14-142
AMICC1—Quality Control Areas (Select) display 9-142
AMICC2—Quality Control Areas (Status) display 9-144
AMICC—Quality Control Areas report 14-269
AMICD2—Bulk Store Areas (Status) display 9-148
AMICD—Bulk Store Areas (Select) display 9-146
AMICD—Bulk Store Areas report 14-21
AMICK1—Location Quantity Audit (Select) display 9-150
AMICU2—Transaction Analysis—Detail report 14-320
AMICU—Transaction Analysis—Summary report 14-322
AMIDDA00—Specify Discrete Allocation to Display panel 11-14
AMIDDA01—Display Discrete Allocation Detail panel 11-14
AMIDDA02—Change Defaults panel 11-14
AMIDIL00—Specify Item Location to Display panel 11-10
AMIDIL01—Display Item Location Detail panel 11-10
AMIDIL02—Change Defaults panel 11-10
AMIDIW00—Specify Item Warehouse to Display panel 11-7
AMIDIW01—Display Item Warehouse Detail panel 11-7
AMIDIW02—Change Defaults panel 11-8
AMIDSN01—Display Ship Notice Detail 5-312
AMIDWL00—Specify Warehouse Location to Display panel 11-18
AMIDWL01—Display Warehouse Location Detail panel 11-18
AMIDWL02—Change Defaults panel 11-18
AMIDWM00—Specify Warehouse to Display panel 11-16
AMIDWM01—Display Warehouse Detail panel 11-16
AMIDWM02—Change Defaults panel 11-16
AMIG101—Assign Accounts 13-105
AMIG102—Specify Transactions to Assign 13-109
AMIG201—Edit Assigned Accounts 13-112
AMIG202—Edit Assigned Accounts 13-115
AMIG206—Specify Transactions to Edit 13-124
AMIG2—Edit Assigned Accounts Register 14-45
AMIG301—Create Ledger Entries 13-129
AMIG304—Specify Ledger Entries to Create 13-138
AMIG401—Simulate Account Assignments 13-80
AMIG501—Specify Rules to Maintain (Select) 13-28
AMIG502—Maintain Rules 13-31, 13-35, 13-37
AMIG508—Copy Account Assignment Rule 13-47
AMIG510—Display Account Assignment Rule 13-52
AMIG511—Specify Rules to Copy 13-57
AMIG512—Specify Rules to Delete 13-60
AMIG5—Maintain Rules Register 14-160

AMIG601—Specify Priorities to Maintain (Select) 13-66
AMIG602—Maintain Rule Priorities 13-68
AMIG603—Confirm Delete of Rule Priorities 13-72
AMIG606—Specify Priorities to Copy (Select) 13-74
AMIG607—Specify Priorities to Delete 13-76
AMIG6—Maintain Rule Priorities Register 14-157
AMIG801—List Rules 13-96
AMIG901—List Rule Priorities 13-99
AMIGA1—Outstanding Goods Received Notes (Select) display 4-55
AMIGB1—Outstanding GRNs with QC Inspection Complete report 14-246
AMIGB2—Outstanding GRNs report 14-244
AMIGB3—Outstanding GRNs by Vendor report 14-245
AMIGD1—Goods Received Notes (Select) display 4-84
AMIGE1—Invoices on Goods Received Notes (Select) display 4-57
AMIGF1—Goods Received Notes Since Last Report 14-53
AMIGF2—Goods Received Notes report 14-52
AMIGG1—Invoices on Goods Received Notes Since Last Report 14-83
AMIGG2—Invoices on Goods Received Notes 14-82
AMIGH1—Invoices to Goods Received Notes (Enter) display 5-303
AMIGH2—Invoices to Goods Received Notes (Status) display 5-305
AMIGH—Invoices to Goods Received Notes report 14-84
AMIGR—Rule Priorities List 14-274
AMIGS—Rules List 14-277
AMIGX—Create Ledger Entries Register 14-29
AMIGZ—Account Assignment Register 14-11
AMIH11—Order History Select Orders (Select) display 12-3
AMIH12—Order History Subset Selection (Select) display 12-10
AMIH13—Order History Production Summary (Inquiry) display 12-12
AMIH14—Order History Accounting Summary (Inquiry) display 12-16
AMIH15—Order History Select Materials (Inquiry) display 12-20
AMIH16—Order History General Material (Inquiry) display 12-23
AMIH17—Order History Production Material (Inquiry) display 12-25
AMIH18—Order History Accounting Material (Inquiry) display 12-27
AMIH19—Order History Select Operations (Inquiry) display 12-29
AMIH1A—Order History General Operation (Inquiry) display 12-32
AMIH1B—Order History Production Operation (Inquiry) display 12-35
AMIH1C—Order History Accounting Operation (Inquiry) display 12-38
AMIH1D—Order History Operation Descriptions (Inquiry) display 12-41
AMIH1E—Order History Select Miscellaneous Charges (Inquiry) display 12-43
AMIH1F—Order History General Miscellaneous Charge (Inquiry) display 12-45
AMIH21—Subset Selection (Select) display 12-51
AMIH22—Order History Report—Select Orders (Select) display 12-48
AMIH30—Order History Reports Selected Orders/Schedules 14-237
AMIH31—Order History Production Summary report 14-234
AMIH32—Order History Accounting Summary report 14-221
AMIH33—Order History Production Detail report 14-227
AMIH34—Order History Accounting Detail report 14-214
AMIH35—Schedule History report 14-281
AMIH41—Order History Archive Processing (Select) display 12-54
AMIH42—Order History Archive Inquiry (Inquiry) display 12-57
AMIH45—Order History Orders Archived/Deleted/Erased report 14-225
AMIH48—Order History Orders Restored/Recovered report 14-226
AMIH4A—Order History Archive Content report 14-223
AMIM00—Main Menu 1-2
 File Maintenance 9-1
 General Ledger Interface 13-1
 Inquiry 3-1
 Manufacturing Order History 12-1

Order Release and Closeout	6-1
Period Closing Activity	8-1
Physical Inventory	7-1
Reports	4-1
Transaction History	10-1
Transaction Processing	5-1
Work With Inventory Management	11-1
AMIM10—Inquiry menu	3-1
Discrete Allocations	3-59
Display Item Detail	3-4
Item Availability	3-23
Item Balance Detail—All Warehouses	3-8
Item Balance Detail—Mgr Allocations	3-13
Item Balance History—Sales	3-28
Item Detail—By Location	3-53
Location Detail—By Item/Warehouse	3-42
Open Orders—By Item/Warehouse	3-18
Purchase Orders—By Order	3-34
AMIM20—Reports menu	4-1
File Listings	4-6
Inventory Reports	4-4
Status/Analysis Reports	4-3
AMIM21—Status/Analysis Reports menu	4-3
ABC Analysis	4-22
Financial Stock Analysis	4-25
Manufacturing Order Status	4-16
Purchase Order Status	4-13
Purchase/Manufacturing Order Status	4-19
Stock Movement Analysis	4-28
Stock Status—Inventory	4-7
Stock Status—Location	4-10
AMIM22—Inventory Reports menu	4-4
Control Totals	4-35
Follow-up Shortage	4-36
Inventory Valuation	4-59
Invoices on Goods Received Notes	4-56
Item QC and Batch/Lot Controls	4-46
Items Waiting Inspection	4-49
Outstanding Goods Received Notes	4-54
Reject Items Waiting Disposition	4-52
Reorder Report	4-31
AMIM23—File Listings menu	4-6
Contents of Bulk Store Areas	4-78
Contents of Quality Control Areas	4-76
Empty Locations	4-70
Goods Received Notes	4-83
Item Balance List	4-65
Item Base Price List	4-68
Item Master List	4-62
Locations and Contents	4-73
Miscellaneous Item Stock	4-80
AMIM30—Transaction Processing menu	5-1
Advance Shipping Notices	5-306
Discrete Allocation	5-284
Discrete Allocation Worksheet Generation	5-281
Entry	5-10
Entry from Offline Files	5-256
Invoices to Goods Received Notes	5-302

- Miscellaneous Item Transactions 5-298
- Quality Control Transactions 5-263
- Transaction Register 5-259
- AMIM40—Order Release and Closeout menu 6-1
 - Create Shop Packet 6-82
 - Order Closeout Report and Purge 6-108
 - Order Closeout Selection 6-102
 - Order Entry 6-2
 - Order Release 6-74
 - Order Release with Shop Packet 6-78
- AMIM44—Shop Packet Creation menu 6-82
 - Individual Order Selection 6-95
 - Multiple Order Selection 6-83
- AMIM50—Physical Inventory menu 7-1
 - Cycle Count Selection 7-19
 - Entry 7-25
 - Entry from Offline Files 7-35
 - Physical Inventory Update 7-41
 - Total Physical Selection 7-10
 - Variance Report 7-36
- AMIM60—Period Closing Activity menu 8-1
 - LIFO/FIFO Maintenance 8-21
 - LIFO/FIFO Transaction Purge and List 8-16
 - LIFO/FIFO Valuation Report 8-11
 - Period End/Year End Close 8-4
- AMIM70—File Maintenance menu 9-1
 - Allocation Quantity Audit 9-152
 - Calendar 9-96
 - Code Files 9-170
 - Item Balance 9-30
 - Item Master 9-6
 - Location Control 9-108
 - Mfg Order Detail 9-82
 - Mfg Order Master 9-74
 - Offline Maintenance 9-181
 - On-Order Quantity Audit 9-151
 - Purchase Order Blanket Release Detail 9-66
 - Purchase Order Item Detail 9-59
 - Shop Packet Reprint 9-90
 - Work with Warehouses 9-153
- AMIM78—Calendar menu 9-96
- AMIM79—Location Control menu 9-108
 - Batch/Lot Numbers 9-115
 - Batch/Lot Quality Control Status 9-109
 - Bulk Store Areas 9-145
 - Location Detail 9-121
 - Location Quantity Audit 9-149
 - Quality Control Areas 9-141
- AMIM7D—Code File Maintenance menu 9-170
- AMIM7E—Offline Maintenance menu 9-182
- AMIM80—Transaction History menu 10-1
 - Delete Restored Transaction History 10-58
 - Delete Transaction History Archive Records 10-59
 - Purge/Save Transaction History 10-49
 - Restore Transaction History 10-54
 - Transaction History Inquiries 10-5
 - Transaction History Reports 10-39
- AMIM90—Work With menu 11-1

Work with Discrete Allocations	11-13
Work with Item Allocations	11-11
Work with Item Locations	11-9
Work with Item Warehouses	11-6
Work with Items	11-3
Work with Location Items	11-21
Work with Warehouse Items	11-19
Work with Warehouse Locations	11-17
Work with Warehouses	11-15
AMIMAO—Manufacturing Order History menu	12-1
Archive Processing	12-53
Inquiry	12-2
Reports	12-47
AMIMB0—General Ledger Interface menu	13-1
Account Assignment Rule Management	13-22
General Ledger Management	13-25
Transaction Account Assignment	13-24
AMIMB1—Account Assignment Rule Management menu	13-22
List Intercompany Accounts	13-101
List Rule Priorities	13-98
List Rules	13-95
Maintain Intercompany Accounts	13-84
Maintain Rule Priorities	13-65
Maintain Rules	13-27
Simulate Account Assignments	13-79
AMIMB2—Transaction Account Assignment menu	13-24
Assign Accounts	13-104
Edit Assigned Accounts	13-111
AMIMB3—General Ledger Management menu	13-25
Create Ledger Entries	13-128
List Chart of Accounts	13-162
Maintain General Ledger Master	13-155
Maintain Interface Control File	13-147
Print and Clear Temporary General Ledger	13-144
Print Temporary General Ledger	13-141
AMINB1—Miscellaneous Item Transactions (Enter) display	5-299
AMINB2—Miscellaneous Item Transactions (Status) display	5-301
AMINB—Miscellaneous Item Transaction Register report	14-201
AMINE—Miscellaneous Item Stock List	14-200
AMINF1—Discrete Allocation (Select) display	5-285, 5-289
AMING1—Manufacturing Discrete Allocation (Select) display	5-287
AMING2—Item Allocation (Select) display	5-291
AMING3—Discrete Allocation (Select) display	5-293
AMING—Discrete Allocations report	14-43
AMINI1—Discrete Allocation Worksheet (Select) display	5-282
AMINK—Discrete Allocation Worksheet by Item—Batch/Lot report	14-39
AMINL—Discrete Allocation Worksheet by Item—FIFO Date report	14-41
AMINM1—Discrete Allocations (Select) display	3-60
AMINM2—Allocations by Item (Inquiry) display	3-62
AMINM3—Allocations by Batch/Lot (Inquiry) display	3-64
AMINM4—Allocations by Order (Inquiry) display	3-66
AMIPHDHFM—Save History File to Tape	10-53
AMIPSN0P—Advanced Shipping Notice	14-15
AMIQA1—Items Waiting Inspection (Select) display	4-50
AMIOB1—Manufacturing Items Waiting Inspection report	14-168
AMIOB2—Purchased Items Waiting Inspection report	14-268
AMIOB3—Cyclic QC Due/Overdue report	14-37
AMIQD—Reject Items Waiting Disposition report	14-273

AMIQF1—Batch/Lot Quality Control Status (Select) display 9-110
 AMIQF2—Batch/Lot Quality Control Status (Change) display 9-112
 AMIQF3—Batch/Lot Quality Control Status (Status) display 9-114
 AMIQF—Batch/Lot Quality Control Status report 14-18
 AMIQH1—Quality Control Transactions (Select) display 5-264
 AMIQH2—Quality Control Transactions (Enter) display 5-266
 AMIQH3—Quality Control Transactions (Enter) display 5-268
 AMIQH4—Quality Control Transactions (Enter) display 5-270
 AMIQH5—Quality Control Transactions (Enter) display 5-273
 AMIQH6—Quality Control Transactions (Status) display 5-276
 AMIQH—Quality Control Transactions report 14-270
 AMIQI1—Receipts Waiting Inspection (Select) display 5-277
 AMIQI2—Receipts Waiting Inspection (Select) display 5-279
 AMIQK1—Batch/Lot Numbers (Select) display 9-116
 AMIQK2—Batch/Lot Numbers (Change) display 9-118
 AMIQK3—Batch/Lot Numbers (Status) display 9-120
 AMIQK—Batch/Lot Numbers report 14-17
 AMIRSN10—Confirm Delete Advance Ship Notices 5-311
 AMIS18—Transaction History, Detail (Inquiry) display 10-33
 AMIS19—Transaction History, Summary by Line (Inquiry) display 10-30
 AMISB1 – Warehouse Summary by Item (Select) display 3-50
 AMISB2 – Warehouse Summary by Item (Inquiry) display 3-51
 AMISDA00—Subset Discrete Allocations List panel 11-14
 AMISD—Location Stock Status—Detail 14-146
 AMISE1—Location Stock Status (Select) display 4-11
 AMISF—Location Stock Status—Summary report 14-148
 AMISI1—Batch/Lot Review—Item History 14-19
 AMISI2—Batch/Lot Review—Batch/Lot History 14-19
 AMISI3—Batch/Lot Review—Order History 14-19
 AMISIA00—Subset Item Allocations List panel 11-12
 AMISIL00—Subset Item Locations List panel 11-10
 AMISIM00—Subset Item Warehouses List panel 11-4
 AMISLI00—Subset Location Items List panel 11-22
 AMISP1—Inventory Valuation (Select) display 4-60
 AMISQ—Inventory Valuation report 14-77
 AMISR—Inventory Valuation report 14-77
 AMISS—Inventory Valuation report 14-77
 AMISWI00—Subset Warehouse Items List panel 11-20
 AMISWM00—Subset Warehouses List panel 11-16
 AMIVSN10—Confirm Verified Receipt Notification 5-317
 AMIW11—Empty Locations (Select) display 4-71
 AMIWA1—Location Detail by Item/Warehouse (Select) display 3-43
 AMIWA2—QC Approved Lots Only (Inquiry) display 3-45
 AMIWA3—All Lots Approved and Not Approved (Inquiry) display 3-47
 AMIWB1—Item Detail by Location (Select) display 3-54
 AMIWB2—Item Detail by Location (Inquiry) display 3-56
 AMIWDA00—Specify Discrete Allocations to Work With panel 11-14
 AMIWDA01—Work with Discrete Allocations panel 11-14
 AMIWDA02—Change Defaults panel 11-14
 AMIWDA—Work with Discrete Allocations panel 11-14
 AMIWD—Empty Locations in Warehouse report 14-49
 AMIWE—Contents of Bulk Store report 14-23
 AMIWH—Locations and Contents report 14-150
 AMIWIA00—Specify Item Allocations to Work With panel 11-12
 AMIWIA01—Work with Item Allocations panel 11-12
 AMIWIA02—Change Defaults panel 11-12
 AMIWIA—Work with Item Allocations panel 11-12
 AMIWILO0—Specify Item Locations to Work With panel 11-10

AMIWIL01—Work with Item Locations panel 11-10
 AMIWIL02—Change Defaults panel 11-10
 AMIWIL—Work with Item Locations panel 11-10
 AMIWIW00—Specify Item Warehouses to Work With panel 11-7
 AMIWIW01—Work with Item Warehouses panel 11-7
 AMIWIW02—Change Defaults panel 11-7
 AMIWIW—Work with Item Warehouses panel 11-7
 AMIWLI00—Specify Location Items to Work With panel 11-22
 AMIWLI01—Work with Location Items panel 11-22
 AMIWLI02—Change Defaults panel 11-22
 AMIWLI—Work with Location Items panel 11-22
 AMIWSN01—Work With Advance Ship Notices 5-309
 AMIWWI00—Specify Warehouse Items to Work With panel 11-20
 AMIWWI01—Work with Warehouse Items panel 11-20
 AMIWWI02—Change Defaults panel 11-20
 AMIWWI—Work with Warehouse Items panel 11-20
 AMIWWL00—Specify Warehouse Locations to Work With panel 11-18
 AMIWWL01—Work with Warehouse Locations panel 11-18
 AMIWWL02—Change Defaults panel 11-18
 AMIWWL—Work with Warehouse Locations panel 11-18
 AMIWWW01—Work with Warehouses panel 11-16
 AMIWWW02—Change Defaults panel 11-16
 AMIWWW—Work with Warehouses panel 11-16
 AMIX11—Reject Items Waiting Disposition (Select) display 4-53
 AMIX31—Miscellaneous Item Stock (Select) display 4-81
 AMIX41—Contents of Bulk Store Areas (Select) display 4-79
 AMIX41—Contents of Quality Control Areas (Select) display 4-77
 AMIX51—Item QC and Batch/Lot Controls (Select) display 4-47
 AMIXK1—Location Detail (Select) display 9-122
 AMIXK2—Location Detail (Status) display 9-140
 AMIXK—Location Detail report 14-137
 AMIZD—Location Detail—Location Quantities report 14-140
 AMK11—Item Balance File Offline Edit List 14-99
 AMM771—Source of Demand display 12-7
 AMV021—General Ledger Chart of Accounts (Options) display 13-162
 AMV041—General Ledger Maintenance (Select) display 13-156
 AMV042—General Ledger Maintenance (Add, Change, or Delete) display 13-158
 AMV043—General Ledger Maintenance (Status) display 13-160
 AMV04—General Ledger Master Entry/Change Listing 14-50
 AMV3G—Inventory Transaction Register—Processed Items/Totals 14-72
 AMV540 – Item Base Price List (Options) display 4-69
 AMV601—Temporary General Ledger
 Print and Clear (Options) 13-145
 Print and Clear (Options) display 13-145
 AMV601—Temporary General Ledger Print 13-142
 display 13-142
 AMV611—Temporary General Ledger listing 14-318
 AMVADPFR—sample code file report 9-176
 AMVB6PFR—Item Base Price List report 14-117
 AMVDIM00—Specify Item to Display panel 11-4
 AMVDIM01—Display Item Detail panel 11-4
 AMVDIM02—Change Defaults panel 11-4
 AMVE11 – Item Master Report (Select) display 4-63
 AMVE40—Item Master File Report—Brief 14-103
 AMVE40—Item Master File Report—Brief 14-107
 AMVE41—Item Master File Report—Complete 14-110
 AMVE42—Item Master File Report—Current or Standard Costs 14-112
 AMVE43—Item Master File Report—Purchase Item Detail 14-114

AMVE44—Item Master File Report—Purchase Item Description 14-116
 AMVG101—Specify Intercompany Accounts to Maintain (Select) 13-85
 AMVG102—Maintain Intercompany Accounts 13-87
 AMVG103—Confirm Delete of Intercompany Accounts 13-90
 AMVG106—Specify Intercompany Accounts to Copy 13-92
 AMVG107—Specify Intercompany Accounts to Delete 13-93
 AMVG1—Maintain Intercompany Accounts Register 14-152
 AMVG201—List Intercompany Accounts 13-102
 AMVGY—Intercompany Accounts List 14-54
 AMVLI01—Maintain Interface Control File 13-148
 AMVLI02—Maintain Interface Control File 13-152
 AMVLI—Maintain Interface Control File Register 14-154
 AMVPOF—Offline Maintenance Options 9-183
 AMVT01—Item Master File Maintenance (Select) display 9-8
 AMVT02—Item Master File—General Information (Add/Change/Delete/Set Defaults) display 9-11
 AMVT03—Item Master File—Additional Information (Add/Change/Delete/Set Defaults) display 9-17
 AMVT04—Item Master File—Costing Information (Add/Change/Delete/Set Defaults) display 9-20
 AMVT06—Item Master File Maintenance (Status) display 9-29
 AMVT0—Item Master File Maintenance report 14-104
 AMVTIP01—Select Item Process display 6-24
 AMVW21 – Work With Warehouses display 9-154
 AMVW22 – Subset Warehouse display 9-158
 AMVW31—Create Warehouse display 9-160
 AMVW32—Change Warehouse display 9-164
 AMVW33—Display Warehouse display 9-166
 AMVW41—Delete Warehouse Confirmation display 9-168
 AMVWIM01—Work with Items panel 11-4
 AMVWIM02—Change Defaults panel 11-4
 AMVWIM—Work with Items panel 11-4
 AMVWWCOR – Work With Calendars display 9-97
 AMVWWC1R1 – Add Calendar - Header display 9-99
 AMVWWC1R1—Add Calendar Header 9-99
 AMVWWC1R2 – Add Calendar Header display 9-100
 AMVWWCOR—Work With Calendars 9-97
 analyze
 Inventory Management tasks 2-1
 variance report 7-6
 Annual Usage Extension report—AMI2G 14-16
 ANSI X.12
 856 transaction 1-3, 2-56, 5-306, 14-15
 861 transaction 1-3, 2-56, 5-306, 14-15
 EDI standard 2-56
 application
 interfaces 1-3
 receiving information from other applications 1-3
 sending information to other applications 1-3
 tailoring
 in Order Release and Closeout 6-3
 in Transaction Processing 5-3
 options 5-3, 7-3
 assign
 Accounts Select—AMIG101 13-105
 accounts, option on AMIMB2 13-104
 assigning
 accounts to transactions 13-13
 automated job submission 1-18
 average
 cost replace

(CR) transaction entry E-33
 transactions 5-5
 item costing 2-7, 2-8
 lead time, update 2-25
 AXVOL1—Copy Offline File (Options) display 5-257

B

backflushing 2-5–2-22, 5-186
 batch 2-2
 delete transaction 5-3
 Location Detail—AMIXK 14-137
 Log sample form—IM-22 15-40
 lot control 2-6–2-55, 7-34
 Lot Numbers
 (Change) display—AMIQK2 9-118
 (Select) display—AMIQK1 9-116
 (Status) display—AMIQK3 9-120
 change transactions 10-4
 report—AMIQK 14-17
 Lot Quality Control Status
 (Change) display—AMIQF2 9-112
 (Select) display—AMIQF1 9-110
 (Status) display—AMIQF3 9-114
 report—AMIQF 14-18
 Lot Review
 (Select) display—AMI2U4 10-47
 Batch/Lot History—AMIS2 14-19
 Item History—AMIS1 14-19
 Order History—AMIS3 14-19
 reuse transaction 5-3
 update 5-3
 before you begin Inventory Management 2-1
 bill of material
 explosion upon order release 6-2
 immediate explosion 2-33, 6-2
 building locations 2-51
 build-to-order items 2-6
 bulk store areas 2-15
 (Select) display—AMICD1 9-146
 (Status) display—AMICD2 9-148
 Report—AMICD 14-21

C

calculations
 adjusted quantity per 2-38
 adjusted run hours 2-38
 cumulative yield through previous operation 2-37
 operation yield 2-37
 timing of average and last cost 2-11
 total cumulative yield 2-37
 calendar
 file, Load Report—AMI7H1 14-22
 Capacity Requirements Planning application 1-3
 Change Account Assignment Rule—AMIG507 13-42
 change defaults
 AMIDDA02—Change Defaults 11-14
 AMIDIL02—Change Defaults 11-10

AMIDIW02—Change Defaults 11-8
 AMIDWL02—Change Defaults 11-18
 AMIDWM02—Change Defaults 11-16
 AMIWDA02—Change Defaults 11-14
 AMIWIA02—Change Defaults 11-12
 AMIWIL02—Change Defaults 11-10
 AMIWIW02—Change Defaults 11-7
 AMIWLI02—Change Defaults 11-22
 AMIWWI02—Change Defaults 11-20
 AMIWWL02—Change Defaults 11-18
 AMIWWW02—Change Defaults 11-16
 AMVDIM02—Change Defaults 11-4
 AMVWIM02—Change Defaults 11-4
 Change Warehouse display-AMVW32 9-164
 charge, offset, and variance
 General Ledger interface 13-3, 13-4
 choose entry method for Inventory Management 2-1
 clear, AMV601—Temporary General Ledger Print and Clear (Options) 13-145
 Closing Stock Status
 display—AMI6A1 8-5
 Options display—AMI6A2 8-7
 code file maintenance
 code file report 9-176
 how to
 add codes 9-178
 change code information 9-177
 delete codes 9-179
 end code file maintenance 9-180
 see a list of codes 9-177
 panels 9-174
 scrolling the code list 9-171
 component return to stock
 (RS) Transaction Entry E-47
 transactions 5-6
 concurrent master file maintenance 9-5
 confirm
 Delete
 of Rule Priorities—AMIG603 13-72
 of Rules—AMIG50B 13-35
 inventory master records 2-49
 Confirm Delete of Advance Ship Notices display—AMIRSN10 5-311
 Confirm Delete of Intercompany Accounts—AMVG103 13-90
 Confirm Verified Receipt Notification display—AMIVSN10 5-317
 Contents
 of Bulk Store Areas (Select) display—AMIX41 4-79
 of Bulk Store Areas—AMIM23 4-78
 of Bulk Store report—AMIWE 14-23
 of QC Area report—AMIWG 14-24
 of Quality Control Areas (Select) display—AMIX41 4-77
 of Quality Control Areas—AMIM23 4-76
 control
 edits 16-1
 group, counting by 7-9
 system controls 16-2
 Total—Item Balance File report—AMI2N 14-26
 totals 2-2, 16-1
 Totals, option on AMIM22 4-35
 Transaction Register 16-3

controlled

- floor stock 2-5-2-25, 5-7, 5-119, 5-166
- warehouses 2-12

- converting transactions into ledger entries 13-13

- Copy Offline File (Options) display—AXVOL1 5-257

- Copy, Account Assignment Rule—AMIG508 13-47

cost

- Adjustment (CA) Transaction Entry updating E-32

- adjustment transactions 5-5, 10-3

- average 2-8

- average replace transactions 5-5

- average replacement transactions 10-3

- last 2-9

- standard 2-8

- standard replace transactions 5-5

- standard replacement transactions 10-3

- timing average calculations 2-11

- timing last calculation 2-11

- Total Sheet—Closed Orders report—AMI4K2 14-28

- transactions 5-5, 10-3

- counting by control group 7-9

create

- Ledger Entries Register—AMIGX 14-29

- Ledger Entries, option on AMIMB3 13-128

- Ledger Entries—AMIG301 13-129

- Create Warehouse display—AMVW31 9-160

creating

- ledger entries, General Ledger interface 13-15

- creating offline files A-2

- Customer Order Management application 1-3

- Customer Order Shortage Report—Follow-up Analysis—AMI4W3 14-33

- customer orders to manufacturing orders 6-3

cycle count

- by control group 7-9

- definition 7-4

- List for Controlled/Uncontrolled Warehouses—AMI5B 14-35

- Selection—Controlled Warehouses Report Options display—AMI5A4 7-20

- Selection—Uncontrolled Warehouses Report Options display—AMI5A5 7-23

- timing 7-7

cyclic

- Item QC Complete (CQ) Transaction Entry E-32

- item QC complete transactions 5-6, 10-3

- QC Due/Overdue report—AMIQB3 14-37

D

data

- base, open order C-7

- entry and update

- batch update 2-1, 2-44

- immediate update 1-9, 2-1, 2-44, 5-3, 5-10

- interactive 1-9, 2-1, 2-44, 5-10

- offline 1-9, 2-44, 5-256

- offline device 2-1

- offline device> 5-256

- online 1-9, 2-44

- work station 1-9, 2-44, 5-10

- define item

- floor stock 2-5
 - item costing 2-7
 - miscellaneous 2-6
 - phantoms 2-4
- delete
 - transaction batches 5-3
 - warehouses 9-168
- DESADV (EDIFACT transaction) 1-3, 2-56, 5-306, 14-15
- despatch advice (EDIFACT transaction) 1-3, 2-56, 5-306, 14-15
- deviation quantity 2-34, 9-74
- discrete allocation
 - (Select) display—AMINF1 5-285, 5-289
 - (Select) display—AMING3 5-293
 - (Select) display—AMINM1 3-60
 - code setup 2-49
 - component item issues 5-91
 - miscellaneous items 2-6, 2-55
 - order closeout 6-108
 - order entry 6-2
 - overview 2-34
 - Report—AMING 14-43
 - uncontrolled 2-26
 - use as controls 2-32
 - whether picked 5-319
 - Worksheet
 - (Select) display—AMINI1 5-282
 - by Item—Batch/Lot report—AMINK 14-39
 - by Item—FIFO Date report—AMINL 14-41
 - zero count 7-34
- dispatch material 2-16
 - inquiry 5-6
- displays
 - ABC Analysis Report Options—AMI2F1 4-23
 - All Lots Approved and Not Approved (Inquiry)—AMIWA3 3-47
 - Allocations by
 - Batch/Lot (Inquiry)—AMINM3 3-64
 - Item (Inquiry)—AMINM2 3-62
 - Order (Inquiry)—AMINM4 3-66
 - AMV021—General Ledger Chart of Accounts (Options) 13-162
 - AMV601—Temporary General Ledger Print 13-142
 - AMV601—Temporary General Ledger Print and Clear (Options) 13-145
 - AMVG101—Specify Intercompany Accounts to Maintain (Select) 13-85
 - AMVG102—Maintain Intercompany Accounts 13-87
 - AMVG103—Confirm Delete of Intercompany Accounts 13-90
 - AMVG106—Specify Intercompany Accounts to Copy 13-92
 - AMVG107—Specify Intercompany Accounts to Delete 13-93
 - AMVG201—List Intercompany Accounts 13-102
 - Assign Accounts—AMIG101 13-105
 - Batch/Lot
 - Numbers
 - (Change)—AMIQK2 9-118
 - (Status)—AMIQK3 9-120
 - (Status)—AMIQK1 9-116
 - Quality Control Status
 - (Change)—AMIQF2 9-112
 - (Select)—AMIQF1 9-110
 - (Status)—AMIQF3 9-114
 - Review (Select)—AMI2U4 10-47

- Bulk Store Areas
 - (Select)—AMICD1 9-146
 - (Status)—AMICD2 9-148
- Change
 - Account Assignment Rule—AMIG507 13-42
 - Accounts (window) 13-119
 - Ship Notice Item Detail—AMICSI01 5-314
- Change, Warehouse—AMVW32 9-164
- Closing Stock Status
 - display—AMI6A1 8-5
 - Options—AMI6A2 8-7
- Confirm
 - Initial Receipt Notification—AMIISN10 5-316
 - Verified Receipt Notification—AMIVSN10 5-317
- Confirm Delete of
 - Advance Ship Notices—AMIRSN10 5-311
 - Rule Priorities—AMIG603 13-72
 - Rules—AMIG503 13-35
- Contents of Bulk Store Areas (Select)—AMIX41 4-81
- Contents of Quality Control Areas (Select)—AMIX41 4-77
- Copy Offline File (Options)—AXVOL1 5-257
- Copy, Account Assignment Rule—AMIG508 13-47
- Create
 - Account Assignment Rule—AMIG506 13-37
 - Ledger Entries—AMIG301 13-129
- Create, Warehouse—AMVW31 9-160
- Cycle Count Selection
 - Controlled Warehouses Report—AMI5A4 7-20
 - Uncontrolled Warehouses Report Options—AMI5A5 7-23
- Delete
 - History Archive Records (Select)—AMI2V1 10-60
 - Warehouse Confirmation—AMVW41 9-168
- Discrete Allocation
 - (Select)—AMINF1 5-285, 5-289
 - (Select)—AMING3 5-293
 - (Select)—AMINM1 3-60
 - Worksheet (Select)—AMINI1 5-282
- Display
 - Account Assignment Rule—AMIG510 13-52
 - Ship Notice
 - Detail—AMIDSN01 5-312
 - Item Detail—AMIDSI01 5-315
- Display, Warehouse—AMVW33 9-166
- Edit Assigned Accounts
 - display—AMIG201 13-112
 - display—AMIG202 13-115
- Empty Locations (Select)—AMIW11 4-71
- Exit
 - Edit Assigned Accounts (window) 13-127
 - Maintain Rule Priorities (window) 13-78
 - Maintain Rules (window) 13-63
- Exit Maintain Intercompany Accounts Window 13-94
- Exit Maintain Interface Control File 13-154
- Financial Stock Analysis Report Options—AMI2I1 4-26
- Follow-up Shortage Report
 - Limits—AMI2P3 4-43
 - Options—AMI2P1 4-39
 - Options—AMI2P2 4-41

General Ledger Maintenance (Add, Change, or Delete)—AMV042 13-158
 General Ledger Maintenance (Select)—AMV041 13-156
 General Ledger Maintenance (Status)—AMV043 13-160
 Goods Received Notes (Select)—AMIGD1 4-84
 Inventory Reorder Report Options—AMI2L1 4-33
 Inventory Transaction
 Average Cost Replace (CR)
 (Enter)—AMI3D03E 5-23
 (Review/Batch Update)—AMI3D03B 5-25
 (Review/Immediate Update)—AMI3D03I 5-27
 Batch Status—AMI3D29 5-193
 Controlled Floor Stock Component Issue (Enter)—AMI3D27E 5-186
 Cost Adjustment (CA)
 (Enter)—AMI3D02E 5-17
 (Review/Batch Update)—AMI3D02B 5-19
 (Review/Immediate Update)—AMI3D02I 5-21
 Data Entry Control—AMI3Z1 5-11
 Detail Review (Review)—AMI3D32R 5-199
 Dispatch Materials Inquiry (Enter)—AMI3D28E 5-190
 Interwarehouse Issue (IW)
 (Enter)—AMI3D10E 5-70
 (Review/Batch Update)—AMI3D10B 5-73
 Interwarehouse Transfer (TW)
 (Enter)—AMI3D09E 5-62
 (Review/Batch Update)—AMI3D09B 5-66
 (Review/Immediate Update)—AMI3D09I 5-68
 Inventory Adjustment (IA)
 (Enter)—AMI3D05E 5-35
 (Review/Batch Update)—AMI3D05B 5-38
 (Review/Immediate Update)—AMI3D05I 5-40
 Miscellaneous Issue (IS)
 (Enter)—AMI3D07E 5-49
 (Review/Batch Update)—AMI3D07B 5-51
 (Review/Immediate Update)—AMI3D07I 5-53
 Planned Manufacturing Issue (IP)
 (Enter)—AMI3D06E 5-42
 (Review/Batch Update)—AMI3D06B 5-45
 (Review/Immediate Update)—AMI3D06I 5-47
 Purchase Order Scrap (SP) (Review/Immediate Update)—AMI3D25I 5-178
 Purchase Order Update Routings (UR)
 (Enter)—AMI3D33E 5-203
 (Review/Batch Update)—AMI3D33B 5-206
 (Review/Immediate Update)—AMI3D33I 5-208
 Purchase Order Vendor Accept (VA)
 (Enter)—AMI3D37E 5-239
 (Enter/Review)—AMI3D37R 5-246
 (Review/Batch Update)—AMI3D37B 5-242
 (Review/Immediate Update)—AMI3D37I 5-244
 Purchase Receipt to Dock (RD)
 (Enter)—AMI3D34E 5-210
 (Enter/Review)—AMI3D34R 5-217
 (Review/Batch Update)—AMI3D34B 5-213
 (Review/Immediate Update)—AMI3D34I 5-215
 Purchase Receipt to Inspection (RI)
 (Enter)—AMI3D35E 5-219
 (Enter/Review)—AMI3D35R 5-227
 (Review/Batch Update)—AMI3D35B 5-223
 (Review/Immediate Update)—AMI3D35I 5-225

- Purchase Receipt to Stock (RP)
 - (Enter)—AMI3D36E 5-229
 - (Enter/Review)—AMI3D36R 5-237
 - (Review/Batch Update)—AMI3D36B 5-233
 - (Review/Immediate Update)—AMI3D36I 5-235
- Purchase Return to Vendor (VR)
 - (Enter)—AMI3D38E 5-248
 - (Review/Batch Update)—AMI3D38B 5-252
 - (Review/Immediate Update)—AMI3D38I 5-254
- Scrap From Stock (SS)
 - (Enter)—AMI3D26E 5-180
 - (Review/Batch Update)—AMI3D26B 5-182
 - (Review/Immediate Update)—AMI3D26I 5-184
- Standard Cost Replace (CS)
 - (Enter)—AMI3D04E 5-29
 - (Review/Batch Update)—AMI3D04B 5-31
 - (Review/Immediate Update)—AMI3D04I 5-33
- Summary Review (Review)—AMI3D31R 5-195
- Transaction Selection (Select)—AMI3D01 5-14
- Unplanned Component Issue (IU)
 - (Enter)—AMI3D08E 5-55
 - (Review/Batch Update)—AMI3D08B 5-58
 - (Review/Immediate Update)—AMI3D08I 5-60
- Invoices to Goods Received Notes
 - (Enter)—AMIGH1 5-303
 - (Status)—AMIGH2 5-305
- Item Allocation, (Select)—AMING2 5-291
- Item Balance
 - Detail
 - All Warehouses (Inquiry)—AMI1A1 3-9
 - Select Warehouses (window) 3-12
- File List, Report Options—AMI2S1 4-66
- File Maintenance
 - (Add)—AMI7A5 9-44
 - (Add/Change)—AMI7A4 9-41
 - (Change)—AMI7A5 9-44
 - (Delete)—AMI7A3 9-40
 - (Reactivate)—AMI7A3 9-40
 - (Select)—AMI7A1 9-31
 - (Status)—AMI7A6 9-46
 - (Suspend)—AMI7A3 9-40
 - Planning Information (Add/CHange)—AMI7A8 9-51
 - Repetitive Manufacturing (Add/Change)—AMI7A7 9-48
- Inquiry
 - Mgr Allocations (Inquiry)—AMI1B1 3-14
 - Sale History (Inquiry)—AMI1C1 3-29
- Item Detail
 - by Location (Inquiry)—AMIWB2 3-56
 - by Location (Select)—AMIWB1 3-54
- Item Master File
 - Additional Information, (Add/Change/Delete/Set Defaults)—AMVT03 9-17
 - Costing Information, (Add/Change/Delete/Set Defaults)—AMVT04 9-20
 - General Information (Add/Change/Delete/Set Defaults)—AMVT02 9-11
 - Maintenance (Select)—AMVT01 9-8
 - Maintenance (Status)—AMVT06 9-29
 - Purchasing Information (Add/Change/Delete/Set Defaults)—AMVT05 9-25
- LIFO/FIFO Inventory Valuation
 - Report Options—AMI6D1 8-12

- Report Options—AMI6D2 8-14
- LIFO/FIFO Transaction Maintenance
 - (Add)—AMI6H4 8-25
 - (Change)—AMI6H5 8-27
 - (Delete)—AMI6H6 8-29
 - (Select)—AMI6H3 8-24
 - (Status)—AMI6H7 8-30
 - (Stop)—AMI6H1 8-22
 - (Warning)—AMI6H2 8-23
- LIFO/FIFO Transaction Purge and List
 - Options—AMI6F1 8-17
 - Options—AMI6F2 8-19
- List
 - Rule Priorities—AMIG901 13-99
 - Rules—AMIG801 13-96
- Location Detail
 - (Select)—AMIXK1 9-122
 - (Status)—AMIXK2 9-140
 - by Item/Warehouse (Select) display—AMIWA1 3-43
 - Individual Locations
 - (Add/Change)—AMICA2 9-126
 - (Delete)—AMICA3 9-128
 - (Select)—AMICA1 9-124
 - Location Quantities
 - (Add/Change)—AMIZD2 9-138
 - (Select)—AMIZD1 9-135
 - Multiple Locations
 - (Add)—AMICB2 9-133
 - (Select)—AMICB1 9-130
- Location Quantity Audit (Select)—AMICK1 9-150
- Maintain
 - Rule Priorities—AMIG602 13-68
 - Rules—AMIG502 13-31
- Manufacturing Discrete Allocation (Select)—AMING1 5-287
- Manufacturing Order
 - Detail File Maintenance
 - (Add/Change)—AMI7E2 9-85
 - (Delete)—AMI7E3 9-88
 - (Select)—AMI7E1 9-83
 - (Status)—AMI7E4 9-89
 - Master File Maintenance
 - (Change)—AMI7D2 9-77
 - (Select)—AMI7D1 9-76
 - (Status)—AMI7D3 9-81
 - Status Report Options—AMI2C2 4-17
- Miscellaneous Item
 - Stock (Select)—AMIX31 4-81
 - Transactions (Enter)—AMINB1 5-299
 - Transactions (Select)—AMINB2 5-301
- Offline
 - Item Maintenance—OLMITM H-4
 - Item Warehouse Maintenance—OLMITMWHS H-6
 - Maintenance Options—AMVPOF 9-183
- Open Orders Inquiry (Inquiry)—AMI1D2 3-19
- Order Closeout
 - By Date—Purchase/Manufacture—AMI4S2 6-106
 - Selection—Purchase/Manufacture—AMI4S1 6-103
- Order Closeout Options—Reporting and Purge 6-110

Order Closeout Options—Routing Current Values Update	6-114, 6-115
Order Closeout Options—Select Site	6-109
Order Closeout Options—Work Center Analysis Report	6-112
Order Entry	
Blanket Detail (Review)—AMI4A3R	6-17
Blanket Release (Enter)—AMI4A3	6-15
Component Availability	
(Enter)—AMI4A4A	6-27
(Review)—AMI4A4AR	6-30
Component Detail	
(Enter)—AMI4A5	6-32
(Review)—AMI4A5R	6-35
Manufacture	
(Enter)—AMI4A4	6-19
(Review)—AMI4A4R	6-25
Manufacture Split	
(Enter)—AMI4A8	6-48
(Review)—AMI4A8R	6-51
(Select)—AMI4A10	6-60
Mfg Per Cust Order	
(Enter)—AMI4A9	6-53
(Review)—AMI4A9R	6-58
(Select)—AMI4A11	6-61
Milestone Group	
Define/Remove (Enter)—AMI4A15	6-70
Define/Remove (Review)—AMI4A15R	6-72
Miscellaneous Detail	
(Enter)—AMI4A7	6-43
(Review)—AMI4A7R	6-46
Operation Detail	
(Enter)—AMI4A6	6-37
(Review)—AMI4A6R	6-41
Additional Description (Enter)—AMI4A13	6-66
Additional Description (Review)—AMI4A13R	6-68
Purchase	
(Enter)—AMI4A2	6-10
(Review)—AMI4A2R	6-13
Purchase/Manufacture	
(Select)—AMI4A1	6-8
(Status)—AMI4A12	6-64
Order History	
Accounting Material (Inquiry)—AMIH18	12-27
Accounting Operation (Inquiry)—AMIH1C	12-38
Accounting Summary (Inquiry)—AMIH14	12-16
Archive Inquiry (Inquiry)—AMIH42	12-57
Archive Processing (Select)—AMIH41	12-54
General Material (Inquiry)—AMIH16	12-23
General Miscellaneous Charge (Inquiry)—AMIH1F	12-45
General Operation (Inquiry)—AMIH1A	12-32
Operation Descriptions (Inquiry)—AMIH1D	12-41
Production Material (Inquiry)—AMIH17	12-25
Production Operation (Inquiry)—AMIH1B	12-35
Production Summary (Inquiry)—AMIH13	12-12
Select Materials (Inquiry)—AMIH15	12-20
Select Miscellaneous Charges (Inquiry)—AMIH1E	12-43
Select Operations (Inquiry)—AMIH19	12-29
Select Orders (Select)—AMIH11	12-3
Select Orders (Select)—AMIH22	12-48

- Subset Selection (Select)—AMIH12 12-10
- Order Release
 - (Select)—AMIC51 6-76, 6-80
 - Option—AMIC52 6-77, 6-81
- P.O. Blanket Release Detail File Maintenance
 - (Add/Change)—AMI7C2 9-69
 - (Delete)—AMI7C3 9-71
 - (Select)—AMI7C1 9-67
 - (Status)—AMI7C4 9-73
- Physical Inventory
 - (Enter)—AMI5E1 7-28
 - (Review)—AMI5E2 7-30
 - Data Entry Control—AMI5Z1 7-26
 - Entry Batch Status—AMI5E3 7-32
 - Option—AMIC52 7-44
 - Selection (Caution)—AMI5A0 7-11
 - Selection Report Options—AMI5A1 7-13
 - Update (Select)—AMIC51 7-42
- Print
 - and Clear IM Temporary General Ledger—CLRIMTGL H-10
 - IM Transaction Register—PRTIMTXR H-8
- Product Structure Retrievals (Select)—AMEC70 3-5
- Purchase and Manufacturing Order Status Report Options—AMI2C3 4-20
- Purchase Order
 - Inquiry by Order
 - (blanket release detail)—AMI1F2 3-38
 - (line item detail)—AMI1F1 3-35
 - Item Detail File Maintenance
 - (Change)—AMI7B2 9-62
 - (Select)—AMI7B1 9-60
 - (Status)—AMI7B3 9-65
 - Status Report Options—AMI2C1 4-14
- QC Approved Lots Only (Inquiry)—AMIWA2 3-45
- Quality Control Areas
 - (Select)—AMICC1 9-142
 - (Status)—AMICC2 9-144
- Quality Control Transactions
 - (Enter)—AMIQH2 5-266
 - (Enter)—AMIQH3 5-268
 - (Enter)—AMIQH4 5-270
 - (Enter)—AMIQH5 5-273
 - (Select)—AMIQH1 5-264
 - (Status)—AMIQH6 5-276
- Receipts Waiting Inspection
 - (Select)—AMIQI1 5-277
 - (Select)—AMIQI2 5-279
- Restore Inventory Transaction History (Select)—AMI2R2 10-56
- Save History File to Tape—AMIPDHFM 10-53
- Select Summarization Options (window) 13-133
- Shop Packets
 - Individual Orders
 - Additional Report Details—AMI4E7 6-99, 9-94
 - Report Detail—AMI4E6 6-96, 9-91
 - Multiple Orders
 - Additional Report Details—AMI4E4 6-92
 - Date Range—AMI4E1 6-86
 - display—AMI4E0 6-84
 - Order Number Range—AMI4E2 6-88

Report Detail—AMI4E3 6-89
 Simulate Account Assignments—AMIG401 13-80
 Single Level Bill of Material (Inquiry)—AMEC71 3-6
 Source of Demand—AMM771 12-7
 Specify
 Ledger Entries to Create—AMIG304 13-138
 Primary Company (window) 13-135
 Priorities to Copy (Select)—AMIG606 13-74
 Priorities to Delete—AMIG607 13-76
 Priorities to Maintain (Select)—AMIG601 13-66
 Rules to Copy—AMIG511 13-57
 Rules to Delete—AMIG512 13-60
 Rules to Maintain (Select)—AMIG501 13-28
 Transactions to Assign—AMIG102 13-109
 Transactions to Edit—AMIG201 13-124
 Split Assigned Accounts (window) 13-122
 Stock Movement Analysis Report Options—AMI2I2 4-29
 Stock Status Review Report Options—AMI2A1 4-8
 Subset ,Selection (Select)—AMIH21 12-51
 Subset, Warehouse—AMVW22 9-158
 Total Physical Selection
 Controlled Warehouses Report—AMI5A2 7-15
 Uncontrolled Warehouses Report—AMI5A3 7-17
 Transaction Analysis (Select)—AMI2U3 10-45
 Transaction Header 13-136
 Transaction History
 Detail (Inquiry)—AMIS18 10-33
 Inquiry Selection (Select)—AMIS11 10-6
 Purge Options (Select)—AMI2X1 10-50
 Report Options (Select)—AMI2U2 10-42
 Report Selection (Select)—AMI2U1 10-40
 Restore Options (Select)—AMI2R1 10-55
 Summary by
 Item (Inquiry)—AMIS12 10-8
 Item (Inquiry)—AMIS15 10-10
 Item and Batch/Lot (Inquiry)—AMIS13 10-16
 Item and Batch/Lot (Inquiry)—AMIS16 10-18
 Line (Inquiry)—AMIS10 10-27
 Line (Inquiry)—AMIS19 10-30
 Order/Schedule (Inquiry)—AMIS14 10-22
 Order/Schedule (Inquiry)—AMIS17 10-24
 Transaction Register
 (Select)—AMIC51 5-260
 Option—AMIC52 5-262
 Variance Report
 (Select)—AMIC51 7-37
 display—AMI56A 7-39
 Option—AMIC52 7-38
 Warehouse Summary by Item
 (Inquiry)—AMISB2 3-51
 (Select)—AMISB1 3-50
 Work with
 Advance Ship Notices—AMIWSN01 5-309
 Discrete Allocations 11-14
 Item Allocations 11-12
 Item Locations 11-10
 Item Warehouses 11-7
 Items 11-3

- Location Items 11-22
- Warehouse Items 11-20
- Warehouse Locations 11-18
- Warehouses 11-16
- Work with, Warehouses—AMVW21 9-154

E

- economic order quantity 2-36
- EDI (Electronic Data Interchange) 2-56
- EDIFACT
 - DESADV transaction 1-3, 2-56, 5-306, 14-15
 - EDI standard 2-56
- edit assigned accounts
 - AMIG201 13-112
 - AMIG202 13-115
 - Change Accounts window 13-119
 - Exit window 13-127
 - option on AMIMB2 13-111
 - Register—AMIG2 14-45
 - Specify Transactions to Edit—AMIG206 13-124
 - Split 13-122
- editing assigned accounts 13-13
- Electronic Commerce application
 - advance shipping notices 2-56, 5-306, 14-15
 - ANSI X.12 856 transaction 5-306
 - EDIFACT DESADV transaction 5-306
 - interfaces 1-3
 - overview and setup 2-56
 - receiving advice 2-56, 5-306
- Electronic Data Interchange (EDI) 2-56
- Empty Locations
 - (Select) display—AMIW11 4-71
 - in Warehouse report—AMIWD 14-49
 - option on AMIM23 4-70
- enter
 - actual counts 7-5
 - from offline files
 - description A-3
 - option on AMIM30 5-10, 5-256
- EPDM and IM 2-45
- EPDM files used by MPSP 1-14
- establish
 - controls 2-2
 - item QC and batch/lot controls 2-49
 - warehouses 2-49
- eWorkPlace—graphical user interface for MAPICS XA 1-18
- exception flagging 2-7
- Exit Maintain Intercompany Accounts Window 13-94
- Exit Maintain Interface Control File 13-154
- exit, Edit Assigned Accounts window 13-127
- explosion
 - immediate bill of material 2-33, 6-2
 - upon order release 6-2

F

- faxing 2-57
- features and options 2-5, 2-6, 2-32

FIFO date control 2-26

file

listing

General Ledger Master Entry/Change—AMV04 14-50

maintenance

displays, Copy Offline File (Options)—AXVOL1 5-257

maintenance, General Ledger Master Entry/Change listing—AMV04 14-50

file listing

AMV021—General Ledger Chart of Accounts (Options) 13-162

option on AMIM20 4-6

Temporary General Ledger—AMV611 14-318

file maintenance

Add Calendar - Header—AMVWWC1R1 9-99

AMIM70 9-1

application tailoring 9-4

Batch/Lot Numbers

(Change)—AMIQK2 9-118

(Status)—AMIQK1 9-116

(Status)—AMIQK3 9-120

Bulk Store Areas

(Select)—AMICD1 9-146

(Status)—AMICD2 9-148

Change Calendar - Month—AMVWWC2R 9-107

Change Calendar - Year—AMVWWC1R7 9-106

Change Calendar Header display—AMVWWC1R4 9-102

Change Calendar Years—AMVWWC1R6 9-104

concurrent master 9-5

Delete Warehouse Confirmation —AMVW41 9-168

Display Warehouse —AMVW33 9-166

Edit Calendar Years—AMVWWC1R3 9-101

forms 15-2

Item Balance File Maintenance

(Change)—AMI7A4 9-41

(Select)—AMI7A1 9-31

(Status)—AMI7A6 9-46

Planning Information—AMI7A8 9-51

Repetitive Manufacturing (Add)—AMI7A7 9-48

Repetitive Manufacturing (Change)—AMI7A7 9-48

Item Master File

Additional Information, Add/Change/Delete/Set Defaults—AMVT03 9-17

Costing Information, Add/Change/Delete/Set Defaults—AMVT04 9-20

General Information (Add/Change/Delete/Set Defaults)—AMVT02 9-11

Maintenance (Select)—AMVT01 9-8

Maintenance (Status)—AMVT06 9-29

Purchasing Information

(Add/Change/Delete/Set Defaults)—AMVT05 9-25

Location Detail

(Select)—AMIXK1 9-122

(Status)—AMIXK 9-140

Location Quantity Audit (Select)—AMICK1 9-150

offline , description A-1

online

how to use 9-5

immediate update 9-5

P.O. Blanket Release Detail File Maint.

(Add)—AMI7C2 9-69

(Change)—AMI7C2 9-69

(Delete)—AMI7C3 9-71

- (Select)—AMI7C1 9-67
- (Status)—AMI7C4 9-73
- Purchase Order Item Detail File Maint
 - (Change)—AMI7B2 9-62
 - (Select)—AMI7B1 9-60
 - (Status)—AMI7B3 9-65
- Quality Control Areas
 - (Select)—AMICC1 9-142
 - (Status)—AMICC2 9-144
- restart considerations 9-5
- Subset Warehouse - AMVW22 9-158
- Work With Calendars—AMVWVCOR 9-97
- Work With Warehouses—AMVW21 9-154
- File Maintenance displays
 - General Ledger Maintenance (Add, Change, or Delete)—AMV042 13-158
 - General Ledger Maintenance (Select)—AMV041 13-156
 - General Ledger Maintenance (Status)—AMV043 13-160
- Item Balance File Maintenance
 - (Add)—AMI7A5 9-44
 - (Change)—AMI7A5 9-44
 - (Delete)—AMI7A3 9-40
 - (Reactivate)—AMI7A3 9-40
 - (Suspend)—AMI7A3 9-40
- files
 - Allocated Quantity 1-11
 - Calendar 1-11
 - created by other applications 1-14
 - format, offline , description A-2
 - Goods Received Notes 1-11
 - Intercompany Accounting 1-15
 - Inventory
 - Account
 - Assignment 1-15
 - Assignment Sequence 1-15
 - Management
 - Control 1-15
 - Transaction 1-15
 - Item Balance 1-12
 - Item Master 1-12
 - Item Plan 1-12
 - LIFO/FIFO Transaction Save 1-12
 - Location Detail 1-12
 - Location Quantity 1-12
 - Manufacturing Order
 - Detail File Maintenance 1-12, 9-83–9-89
 - Master File Maintenance 1-13, 9-76–9-81
 - Manufacturing Order History
 - Archive Control 1-12
 - Archive Reference 1-13
 - Detail 1-13
 - Master 1-12
 - Miscellaneous Charge 1-13
 - Operation Description 1-13
 - Operation Detail 1-13
 - offline
 - creating A-2
 - description A-1
 - viewing and printing A-3

Purchase Order
 Blanket Release Detail 1-13
 Item Detail 1-13
 Master 1-13
 Receipts to Inspection 1-14
 Stock Status Extract 1-15
 System Control 1-11
 Transaction History 1-14
 updating E-32
 Average Cost Replace (CR) Transaction Entry E-33
 Component Return to Stock (RS) Transaction Entry E-47
 Cost Adjustment Transaction Entry E-32
 Cyclic Item QC Complete Transaction Entry E-32
 Interwarehouse
 Issue (IW) Transaction Entry E-37
 Receipt (RW) Transaction Entry E-49
 Transfer (TW) Transaction Entry E-53
 Inventory Adjustment (IA) Transaction Entry E-33
 Manufactured Item QC complete (MQ) Transaction Entry E-37
 Manufacturing Component Scrap (SC) Transaction Entry E-51
 Manufacturing Order Scrap (SM) Transaction Entry E-51
 Miscellaneous Issue (IS) Transaction Entry E-35
 Miscellaneous Receipt (RC) Transaction Entry E-39
 Pick Complete by Item (PB) Transaction Entry E-38
 Pick Complete by Order (PC) Transaction Entry E-38
 Planned Manufacturing Issue (IP) Transaction Entry E-34
 Production Receipt (RM) Transaction Entry E-42
 Purchase Order
 to Vendor (VR) Transaction Entry E-55
 Update Routings (UR) Transaction Entry E-53
 Vendor Accept (VA) Transaction Entry E-54
 Purchase Order Scrap (SP) Transaction Entry E-52
 Purchase Receipt to
 Dock (RD) Transaction Entry E-41
 Inspection (RI) Transaction Entry E-40
 Stock (RP) Transaction Entry E-44
 Purchased Item QC Complete (PQ) Transaction Entr E-38
 QC Item Reject (RQ) Transaction Entry E-46
 Sales Shipment (SA) Transaction Entry E-50
 Scrap from Stock (SS) Transaction Entry E-53
 Standard Cost Replace (CS) Transaction Entry E-33
 transaction processing E-1
 Unplanned Component Issue (IU) Transaction Entry E-36
 Warehouse Master 1-14
 final assembly 2-32
 Financial Stock Analysis
 option on AMIM21 4-25
 Report Options display—AMI211 4-26
 flagging exceptions 2-7
 floor stock
 backflushing 2-5–2-22, 5-186
 considerations 2-5
 controlled 2-5–2-25, 5-7, 5-119, 5-166
 reversing issues 5-322
 uncontrolled 2-5–2-21, 5-49, 5-322
 flow of information within the IM application 1-8
 Follow-up Shortage
 option on AMIM22 4-36

Report

Limits display—AMI2P3 4-43

Options display—AMI2P1 4-39

Options display—AMI2P2 4-41

Forecasting application 1-3

format, offline files A-2

forms

accounting controls and audits 15-39

Batch Log sample—IM-22 15-40

Item Balance File Maintenance

IM-16A 15-11

IM-16B 15-13

IM-16C 15-15

IM-16D 15-17

Item Balance/Item Plan offline file maintenance form—IM-18A 15-28

Item Master Offline File Maintenance, list of forms 15-31

list of 15-1

Manufacturing Order , Detail File Maintenance—IM-15 15-9

Manufacturing Order, Master File Maintenance—IM-14 15-7

Purchase Order Blanket Release Detail File Maintenance—IM-13 15-5

forms used, data entry

Item Master file maintenance—additional information (PM-02) 15-21

Item Master file maintenance—costing information (PM-03) 15-23

Item Master file maintenance—general information (PM-01) 15-19

Item Master file maintenance—purchasing information (PM-04) 15-25

Item Master offline data entry—C-record (PM-28) 15-37

Item Master offline file maintenance—A-record (PM-26A) 15-32, 15-35

G

General Ledger

AMV021—General Ledger Chart of Accounts (Options) 13-162

AMV601—Temporary General Ledger Print 13-142

AMV601—Temporary General Ledger Print and Clear (Options) 13-145

application 1-3

interface

account assignment rules 13-7

account types 13-6

assigning accounts 13-10, 13-13

converting transactions into ledger entries 13-13

creating ledger entries 13-15

description 13-1

editing assigned accounts 13-13

files 1-14

General Ledger transaction file 13-19

generalized transactions 13-11

how rules and rule priorities are applied 13-8, 13-10

Intercompany Account file 13-18

intercompany accounting 13-17

introduction 2-47, 2-48

ledger entries and dates 13-15

net intercompany accounting 13-17

rule priorities example 13-9

rules example 13-8

rules, rule priorities, simulation 13-6

separate intercompany accounting 13-17

setting up rule priorities 13-11

setting up rules 13-10

- shortcuts 13-11
- simulating account assignments 13-12
- splitting ledger entries 13-19
- splitting transactions 13-14
- summarizing ledger entries 13-16
- transaction fields used 13-6
- where to start 13-1
- master entry/change listing—AMV04 14-50
- temporary listing—AMV611 14-318
- transaction file 13-19
- General Ledger interface
 - IM transaction types 13-2
 - with average costing 13-4
 - with IM costing methods 13-4
 - with last costing 13-4
 - with standard costing 13-4
- General Ledger Maintenance (Add, Change, or Delete) display—AMV042 13-158
- General Ledger Maintenance (Select) display—AMV041 13-156
- General Ledger Maintenance (Status) display—AMV043 13-160
- generalized transactions 13-11
- getting started with IM 2-48
- Goods Received Notes 2-27
 - (Select) display—AMIGD1 4-84
 - display AMIM23 4-83
 - report—AMIGF2 14-52
 - Since Last Report—AMIGF1 14-53
- graphical user interface for MAPICS XA—eWorkPlace 1-18
- group source materials for Inventory Management 2-2

H

- how rules and rule priorities assign accounts 13-8
- how to
 - handle zero counts 7-34
 - resolve special situations 7-34, 8-10
 - use batch/lot numbers when entering physical counts 7-34
 - use inquiry 3-2
 - use online file maintenance 9-5
 - use physical inventory 7-4
 - use reports 4-2

I

- IFM Transaction Header 13-136
- IM-12—Purchase Order Item Detail File Maintenance form 15-3
- IM-13—Purchase Order Blanket Release Detail File Maintenance form 15-5
- IM-14—Manufacturing Order Master File Maintenance form 15-7
- IM-15—Manufacturing Order Detail File Maintenance form 15-9
- IM-16A—Item Balance File Maintenance form 15-11
- IM-16B—Item Balance File Maintenance form 15-13
- IM-16C—Item Balance File Maintenance form 15-15
- IM-16D—Item Balance File Maintenance form 15-17
- IM-18A—Item Balance/Item Plan File Load (LA Record) form 15-28
- immediate update 5-3
- in quantity 2-31
- individual locations 2-51
- information flow 1-8
- inquiry
 - Accounting

Material (Inquiry)—AMIH18 12-27
 Operation (Inquiry)—AMIH1C 12-38
 Summary (Inquiry)—AMIH14 12-16
 All Lots Approved and Not Approved (Inquiry)—AMIWA3 3-47
 Allocations by Item (Inquiry)—AMINM2 3-62
 Allocations by Order (Inquiry)—AMINM4 3-66
 Archive Inquiry (Inquiry)—AMIH42 12-57
 Archive Processing (Select)—AMIH41 12-54
 Detail (Inquiry)—AMIS18 10-33
 dispatch materials 5-6
 displays
 Product Structure Retrievals (Select)—AMEC70 3-5
 Single Level Bill of Material (Inquiry)—AMEC71 3-6
 General
 Material (Inquiry)—AMIH16 12-23
 Miscellaneous Charge (Inquiry)—AMIH1F 12-45
 Operation (Inquiry)—AMIH1A 12-32
 how to use 3-2
 Item Availability (Inquiry)—AMI1E1 3-24
 Item Balance
 Detail All Warehouses (Inquiry)—AMI1A1 3-9
 Inquiry—Mfg Allocations (Inquiry)—AMI1B1 3-14
 Inquiry—Sales History (Inquiry)—AMI1C1 3-29
 Item Detail by Location (Inquiry)—AMIWB2 3-56
 list of 1-17
 menu—AMIM10 3-1
 Open Orders Inquiry (Inquiry)—AMI1D2 3-19
 Operation Descriptions (Inquiry)—AMIH1D 12-41
 Production
 Material (Inquiry)—AMIH17 12-25
 Operation (Inquiry)—AMIH1B 12-35
 Summary (Inquiry)—AMIH13 12-12
 Purchase Order Inquiry by Order
 (Inquiry) (blanket release detail)—AMI1F2 3-38
 (Inquiry) (line item detail)—AMI1F1 3-35
 QC Approved Lots Only (Inquiry)—AMIWA2 3-45
 Report-Select Orders (Select)—AMIH22 12-48
 Select
 Materials (Inquiry)—AMIH15 12-20
 Miscellaneous Charges (Inquiry)—AMIH1E 12-43
 Operations (Inquiry)—AMIH19 12-29
 Subset Selection (Select)—AMIH21 12-51
 Summary by
 Item (Inquiry)—AMIS12 10-8
 Item (Inquiry)—AMIS15 10-10
 Item and Batch/Lot (Inquiry)—AMIS13 10-16
 Item and Batch/Lot (Inquiry)—AMIS16 10-18
 Line (Inquiry)—AMIS10 10-27
 Order (Inquiry)—AMIS14 10-22
 Order (Inquiry)—AMIS17 10-24
 transaction history 10-5
 Transaction History, Summary by Line (Inquiry)—AMIS19 10-30
 Warehouse Summary by Item (Inquiry) – AMISB2 3-51
 inspect
 on receipt 2-49, 2-50, 2-51, 5-323
 quality control 2-26
 install/tailor questionnaire 2-49
 Intercompany

- Account file 13-18
- intercompany
 - accounting, General Ledger interface 13-17
- Intercompany,Accounts List 14-54
- interfacing applications
 - Accounts Payable 1-3
 - Capacity Requirements Planning 1-3
 - Contract Accounting 1-3
 - Customer Order Management 1-3
 - Electronic Commerce 1-3, 2-56
 - Forecasting 1-3
 - General Ledger 1-3
 - International Financial Management 1-4, 2-27
 - Inventory Management C-2
 - Knowledge Based Configurator 1-4
 - Maintenance Management System 1-4
 - Master Production Schedule Planning 1-4
 - Material Requirements Planning 1-4, 2-56
 - Product Data Management 1-3, 1-4
 - Production Control and Costing 1-4, C-2
 - Production Monitoring and Control 1-4
 - Purchasing 1-5, 2-56, C-3, C-4
 - Repetitive Production Management 1-5, C-5
 - Sales Analysis 1-5
- InterSite Logistics order release C-7
- intersite orders, during order release C-4
- interwarehouse
 - Issue (IW) Transaction Entry E-37
 - issue transactions 5-5, 10-2
 - Receipt (RW) Transaction Entry E-49
 - receipt transactions 5-5, 10-3
 - Transfer (TW) Transaction Entry E-53
 - transfer transactions 5-6, 10-4
 - transfers 2-19, 2-44, 5-256, 5-323–5-326
- intrawarehouse transfers 5-62, 5-325
- inventory
 - adjustment 5-6, 10-4, E-33
 - Analysis Report—Financial—AMI2K1 14-56
 - Analysis Report—Stock Movement—AMI2K2 14-59
 - Reorder Report Options display—AMI2L1 4-33
 - Reorder Report—AMI2M 14-61
 - Reports menu—AMIM22 4-4
 - Stock Status Review report—AMI2B 14-64
 - Valuation
 - (Select) display—AMISP1 4-60
 - and Variance Report—AMI5H 14-79
 - option on AMIM22 4-59
 - report (AMISQ) 14-77
 - report (AMISR) 14-77
 - report—AMISS 14-77
- Inventory Management displays
 - Item Balance File Maintenance
 - (Add)—AMI7A5 9-44
 - (Change)—AMI7A5 9-44
 - (Delete)—AMI7A3 9-40
 - (Reactivate)—AMI7A3 9-40
 - (Suspend)—AMI7A3 9-40
- inventory management functions 2-16

inventory transaction

- adjustment transactions 5-6, 10-4, E-33
- Average Cost Replace (CR)
 - (Review) (Batch Update)—AMI3D03B 5-25
 - (Review) (Immediate Update)—AMI3D03I 5-27
 - Enter—AMI3D03E 5-23
- Batch Control Update report—AMI3X 14-66
- Batch Extract report—AMI3E 14-67
- Batch Status—AMI3D29 5-193
- Component Return to Stock (RS)
 - (Enter)—AMI3D20E 5-137
 - (Review) (Batch Update)—AMI3D20B 5-141
 - (Review) (Immediate Update)—AMI3D20I 5-143
- Controlled Floor Stock Component Issue (Enter)—AMI3D27E 5-186
- Data Entry Control display—AMI3Z1 5-11
- Detail Review (Review)—AMI3D32R 5-199
- Dispatch Materials Inquiry (Enter)—AMI3D28E 5-190
- Edit List—AMI3B 14-68
- Interwarehouse Issue (IW)
 - (Enter)—AMI3D10E 5-70
 - (Review) (Batch Update)—AMI3D10B 5-73
 - (Review) (Immediate Update)—AMI3D10I 5-75
- Interwarehouse Receipt (RW)
 - (Enter)—AMI3D21E 5-145
 - (Review) (Batch Update)—AMI3D21B 5-148
 - (Review) (Immediate Update)—AMI3D21I 5-150
- Interwarehouse Transfer (TW)
 - (Enter)—AMI3D09E 5-62
 - (Review) (Batch Update)—AMI3D09B 5-66
 - (Review) (Immediate Update)—AMI3D09I 5-68
- Inventory Adjustment (IA)
 - (Enter)—AMI3D05E 5-35
 - (Review) (Batch Update)—AMI3D05B 5-38
 - (Review) (Immediate Update)—AMI3D05I 5-40
- Manufacturing Component Scrap (SC)
 - (Enter)—AMI3D23E 5-159
 - (Review) (Batch Update)—AMI3D23B 5-162
 - (Review) (Immediate Update)—AMI3D23I 5-164
- Manufacturing Order Scrap (SM)
 - (Enter)—AMI3D24E 5-166
 - (Review) (Batch Update)—AMI3D24B 5-169
 - (Review) (Immediate Update)—AMI3D24I 5-171
- Miscellaneous Issue (IS)
 - (Enter)—AMI3D07E 5-49
 - (Review) (Batch Update)—AMI3D07B 5-51
 - (Review) (Immediate Update)—AMI3D07I 5-53
- Miscellaneous Receipt (RC)
 - (Enter)—AMI3D15E 5-97
 - (Review) (Batch Update)—AMI3D15B 5-100
 - (Review) (Immediate Update)—AMI3D15I 5-102
- Pick Complete by Item (PB)
 - (Enter)—AMI3D11E 5-77
 - (Review) (Batch Update)—AMI3D11B 5-79
 - (Review) (Immediate Update)—AMI3D11I 5-81
- Order Issues (Enter)—AMI3D12E 5-83
- Pick Complete by Order (PC)
 - (Enter)—AMI3D13E 5-85
 - (Review) (Batch Update)—AMI3D13B 5-87

- (Review) (Immediate Update)—AMI3D13I 5-89
- Component Item Issues (Enter)—AMI3D14E 5-91
- Component Item Issues (Enter)—AMI3D14L 5-95
- Planned Manufacturing Issue (IP)
 - (Enter)—AMI3D06E 5-42
 - (Review) (Batch Update)—AMI3D06B 5-45
 - (Review) (Immediate Update)—AMI3D06I 5-47
- Production Receipt (RM)
 - (Enter)—AMI3D18E 5-119
 - (Review) (Batch Update)—AMI3D18B 5-124
 - (Review) (Immediate Update)—AMI3D18I 5-126
- Purchase Order
- Scrap (SP)
 - (Enter)—AMI3D25E 5-173
 - (Review) (Batch Update)—AMI3D25B 5-176
 - (Review) (Immediate Update)—AMI3D25I 5-178
- Update Routings (UR)
 - (Enter)—AMI3D33E 5-203
 - (Review) (Batch Update)—AMI3D33B 5-206
 - (Review) (Immediate Update)—AMI3D33I 5-208
- Vendor Accept (VA)
 - (Enter)—AMI3D37E 5-239
 - (Enter/Review)—AMI3D37R 5-246
 - (Review) (Batch Update)—AMI3D37B 5-242
 - (Review) (Immediate Update)—AMI3D37I 5-244
- Purchase Receipt to
 - Dock (RD)
 - (Enter)—AMI3D16E 5-104
 - (Enter)—AMI3D34E 5-210
 - (Enter/Review)—AMI3D34R 5-217
 - (Review) (Batch Update)—AMI3D16B 5-107
 - (Review) (Batch Update)—AMI3D34B 5-213
 - (Review) (Immediate Update)—AMI3D16I 5-109
 - (Review) (Immediate Update)—AMI3E34I 5-215
 - Inspection (RI)
 - (Enter)—AMI3D17E 5-111
 - (Enter)—AMI3D35E 5-219
 - (Enter/Review)—AMI3D35R 5-227
 - (Review) (Batch Update)—AMI3D17B 5-115
 - (Review) (Batch Update)—AMI3D35E 5-223
 - (Review) (Immediate Update)—AMI3D17I 5-117
 - (Review) (Immediate Update)—AMI3D35I 5-225
 - Stock (RP)
 - (Enter)—AMI3D19E 5-128
 - (Enter)—AMI3D36E 5-229
 - (Enter/Review)—AMI3D36R 5-237
 - (Review) (Batch Update)—AMI3D19B 5-133
 - (Review) (Batch Update)—AMI3D36R 5-233
 - (Review) (Immediate Update)—AMI3D19I 5-135
 - (Review) (Immediate Update)—AMI3D36I 5-235
- Purchase Return to Vendor (VR)
 - (Enter)—AMI3D38E 5-248
 - (Review) (Batch Update)—AMI3D38B 5-252
 - (Review) (Immediate Update)—AMI3D38I 5-254
- Register-Processed Items/Totals—AMV3G 14-72
- Sales Shipment (SA)
 - (Enter)—AMI3D22E 5-152
 - (Review) (Batch Update)—AMI3D22B 5-155

- (Review) (Immediate Update)—AMI3D22I 5-157
- Scrap From Stock (SS)
 - (Enter)—AMI3D25E 5-180
 - (Review) (Batch Update)—AMI3D26B 5-182
 - (Review) (Immediate Update)—AMI3D26I 5-184
- Selection (Select)—AMI3D01 5-14
- Standard Cost Replace (CS)
 - (Enter)—AMI3D04E 5-29
 - (Review) (Batch Update)—AMI3D04B 5-31
 - (Review) (Immediate Update)—AMI3D04I 5-33
- Summary Review (Review)—AMI3D31R 5-195
- Unplanned Component Issue (IU)
 - (Enter)—AMI3D08E 5-55
 - (Review) (Batch Update)—AMI3D08B 5-58
 - (Review) (Immediate Update)—AMI3D08I 5-60
- invoice
 - on Goods Received Notes
 - display (Select) display—AMIGE1 4-57
 - option on AMIM22 4-56
 - report (AMIGG2) 14-82
 - Since Last Report (AMIGG1) 14-83
 - to Goods Received Notes
 - (Enter) display—AMIGH1 5-303
 - (Status) display—AMIGH2 5-305
 - report (AMIGH) 14-84
- IOR components, reversing issues 5-322
- issue
 - interwarehouse 5-5, 10-2
 - miscellaneous 5-5, 10-2
 - miscellaneous item 10-2
 - pick complete by item 5-5, 10-2
 - pick complete by order 5-5, 10-2
 - planned manufacturing 5-5, 10-2
 - reversing (non-floor stock) 5-320
 - transactions 5-5, 10-2
 - unplanned component 5-5, 10-2
- item
 - Allocation
 - (Allocate or De-allocate) display—AMING4 5-295
 - (Select) display—AMING2 5-291
 - Availability (Inquiry) display—AMI1E1 3-24
 - Balance Detail
 - All Warehouses (Select Warehouses)—AMI1A1W 3-12
 - All Warehouses, (Inquiry) display—AMI1A1 3-9
 - Balance File Maintenance
 - form—IM-16A 15-11
 - form—IM-16B 15-13
 - form—IM-16C 15-15
 - form—IM-16D 15-17
 - Offline Edit List—AMK11 14-99
 - Balance Inquiry
 - Mfg Allocations display (Inquiry)—AMI1B1 3-14
 - Sales History (Inquiry) display—AMI1C1 3-29
 - Balance/Item Plan, offline file maintenance form—IM-18A 15-28
 - Base Price List ,report—AMVB6PFR 14-117
 - build-to-order 2-6
 - costing method
 - average 2-7, 2-8

- last 2-7, 2-8
- standard 2-7, 2-8
- definition 2-3
- master file
 - Costing Information, Add/Change/Delete/Set Defaults display—AMVT04 9-20
 - General Information
 - (Add/Change/Delete/Set Defaults) display—AMVT02 9-11
 - maintenance
 - (Select) display—AMVT01 9-8
 - report—AMVT0 14-104
 - Status display—AMVT06 9-29
 - option on
 - AMIM10 3-4
 - AMIM23 4-62
 - AMIM70 9-6
 - Pricing Additional Information, Add/Change/Delete/Set Defaults display—AMVT03 9-17
 - Purchasing Information
 - (Add/Change/Delete/Set Defaults) display—AMVT05 9-25
 - Report
 - Brief—AMVE40 14-107
 - Complete—AMVE41 14-110
 - Current or Standard Costs—AMVE42 14-112
 - Purchase Item Description—AMVE44 14-116
 - Purchase Item Detail—AMVE43 14-114
- miscellaneous 2-55
- multiple per location 2-53
- QC and Batch/Lot Controls
 - (Select) display—AMIX51 4-47
 - option on AMIM22 4-46
- Sales Analysis file updates E-20, E-21
- Selected for Physical Inventory/Cycle Count report—AMI5H2 14-128
- Shortage Report
 - Follow-up Analysis—AMI4Q3 14-120
 - Order Release—AMI4Q2 14-125
- Waiting Inspection
 - (Select) display—AMIQA1 4-50
 - option on AMIM22 4-49
- Item Balance
 - File Maintenance (Add) display—AMI7A5 9-44
 - File Maintenance (Change) display—AMI7A5 9-44
 - File Maintenance (Delete) display—AMI7A3 9-40
 - File Maintenance (Reactivate) display—AMI7A3 9-40
 - File Maintenance (Suspend) display—AMI7A3 9-40
- item Balance
 - File Maintenance
 - (Add) display—AMI7A4 9-41
 - (Change) display—AMI7A4 9-41
 - (Select) display—AMI7A1 9-31
 - (Status) display—AMI7A6 9-46
 - Edit List—AMI7A 14-101
 - List—AMI2T 14-85
 - Planning Information (Add or Change) display—AMI7A8 9-51
 - Repetitive Manufacturing
 - (Add) display—AMI7A7 9-48
 - (Change) display—AMI7A7 9-48
- Item Base Price List (Options) display - AMV540 4-69
- item Detail
 - by Location

(Inquiry) display—AMIWB2 3-56
 (Select) display—AMIWB1 3-54
 Item Master file maintenance—additional information form (PM-02) 15-21
 Item Master file maintenance—costing information form (PM-03) 15-23
 Item Master file maintenance—general information form (PM-01) 15-19
 Item Master file maintenance—purchasing information form (PM-04) 15-25
 Item Master File Report—Brief-AMVE40 14-103
 Item Master offline data entry—C-record (PM-28) 15-37
 Item Master offline file maintenance—A-record form (PM-26A) 15-32, 15-35
 Item Master Report (Select) display – AMVE11 4-63
 ITMDKT file A-5

L

last item costing 2-7, 2-8
 lead time
 manufacturing 2-35, 2-43
 purchasing 2-35, 2-43
 total 2-35
 update average 2-25
 ledger entries
 and dates, General Ledger interface 13-15
 LIFO Transaction Reconciliation report—AMI6G 14-135
 LIFO/FIFO
 inventory valuation
 overview 8-2
 Report Options display—AMI6D1 8-12
 Report Options display—AMI6D2 8-14
 Report—AMI6E 14-130
 Transaction
 File Edit report—AMI6I 14-132
 file updates E-30, E-31
 Maintenance
 (Add) display—AMI6H4 8-25
 (Change) display—AMI6H5 8-27
 (Delete) display—AMI6H6 8-29
 (Select) display—AMI6H3 8-24
 (Status) display—AMI6H7 8-30
 (Stop) display—AMI6H1 8-22
 (Warning) display—AMI6H2 8-23
 Purge and List Options
 display—AMI6F1 8-17
 display—AMI6F2 8-19
 list
 Intercompany Accounts, option on AMIMB1 13-101
 rules
 display—AMIG801 13-96
 option on AMIMB1 13-95
 Priorities—AMIG901 13-99
 List Intercompany Accounts—AMVG201 13-102
 listings
 AMV021—General Ledger Chart of Accounts (Options) 13-162
 General Ledger Master Entry/Change—AMV04 14-50
 Temporary General Ledger—AMV611 14-318
 location
 Control maintenance 2-54
 Detail
 AMIXK report 14-137

- by Item/Warehouse (Select) display—AMIWA1 3-43
- Individual Locations
 - (Add or Change) display—AMICA2 9-126
 - (Delete) display—AMICA3 9-128
 - (Select) display—AMICA1 9-124
 - report—AMICA 14-138
- Location Quantities
 - (Add) display—AMIZD2 9-138
 - report—AMIZD 14-140
- Multiple Locations
 - (Add) display—AMICB2 9-133
 - (Select) display—AMICB1 9-130
 - report—AMICB 14-142
- Select display—AMIXK1 9-122
- Status display—AMIXK2 9-140
- Locations and Contents
 - option on AMIM23 4-73
 - report—AMIWH 14-150
- multiple per item 2-13
- Quantity
 - audit 2-55
 - Audit (Select) display—AMICK1 9-150
 - file updates E-1
 - Item Balance Audit Report (AMIC2) 7-9
 - Item Balance Audit report (AMIC21) 14-144
 - maintenance transactions 10-4
 - special 2-15
- Stock Status
 - (Select) display—AMISE1 4-11
 - Detail (AMISD) 14-146
 - Summary report (AMISF) 14-148
- lockouts D-1
- lockups 1-17

M

- Main Menu—AMIM00 1-2
- Maintain
 - Confirm Delete of Intercompany Accounts—AMVG103 13-90
 - Intercompany Accounts (Select)—AMVG101 13-85
 - Intercompany Accounts to Copy—AMVG106 13-92
 - Intercompany Accounts to Delete—AMVG107 13-93
 - Intercompany Accounts—AMVG102 13-87
 - Maintain Intercompany Accounts Exit 13-94
- maintain
 - batch/lot number change transactions 10-4
 - Change Account Assignment Rule—AMIG507 13-42
 - Confirm Delete of, Rules—AMIG503 13-35
 - Create Account Assignment Rule—AMIG506 13-37
 - Exit Maintain Rules 13-63
 - Intercompany Accounts
 - AMIMB1 option 13-84
 - Register—AMVG1 14-152
 - Interface Control file, Register—AMVLI 14-154
 - inventory adjustment transactions 10-4
 - location quantity transactions 10-4
 - physical inventory adjustment transactions 10-4
 - Rule Priorities

- display—AMIG602 13-68
- Exit window 13-78
- option on AMIMB1 13-65
- Register—AMIG6 14-157
- Rules Register—AMIG5 14-160
- Rules—AMIG502 13-31
- Specify Priorities to
 - (Select)—AMIG601 13-66
 - Copy (Select)—AMIGG606 13-74
 - Delete—AMIGG607 13-76
- Specify Rules to
 - Copy—AMIG511 13-57
 - Delete—AMIG512 13-60
 - Maintain (Select)—AMIG501 13-28
- transactions 10-4
- Maintain Intercompany Accounts—AMVG102 13-87
- Maintain Interface Control File—AMVLI01 13-148
- Maintain Interface Control File—AMVLI02 13-152
- maintaining
 - code files
 - code file report 9-176
 - how to add codes 9-178
 - how to change code information 9-177
 - how to delete codes 9-179
 - how to end code file maintenance 9-180
 - how to see a list of codes 9-177
 - panels 9-174
 - scrolling the code list 9-171
- managing Inventory Management 2-1
- Manufacture Order Shortage Report—Follow-up Analysis—AMI4W4 14-164
- manufactured items
 - item QC complete transactions 10-3
 - QC complete (MQ) Transaction Entry E-37
 - QC complete transactions 5-6
- manufacturing
 - Component Scrap (SC) Transaction Entry E-51
 - component scrap transactions 5-5
 - Discrete Allocation (Select) display—AMING1 5-287
 - Items Waiting Inspection report (AMIQB1) 14-168
 - order
 - Detail File Maintenance
 - (Add or Change) display—AMI7E2 9-85
 - (Delete) display—AMI7E3 9-88
 - (Select) display—AMI7E1 9-83
 - (Status) display—AMI7E4 9-89
 - Edit List—AMI7E 14-169
 - form—IM-15 15-9
 - from customer orders 6-3
 - history
 - Accounting Material (Inquiry)—AMIH18 12-27
 - Accounting Operation (Inquiry)—AMIH1C 12-38
 - Accounting Summary (Inquiry)—AMIH14 12-16
 - AMIH11—Order History Select Orders (Select) 12-3
 - Archive Inquiry (Inquiry)—AMIH42 12-57
 - Archive Processing (Select)—AMIH41 12-54
 - General Material (Inquiry)—AMIH16 12-23
 - General Miscellaneous Charge (Inquiry)—AMIH1F 12-45
 - General Operation (Inquiry)—AMIH1A 12-32

- inquiry 12-2
- menu 12-1
- Operation Descriptions (Inquiry)—AMIH1D 12-41
- overview 2-44
- Production Material (Inquiry)—AMIH17 12-25
- Production Operation (Inquiry)—AMIH1B 12-35
- Production Summary (Inquiry)—AMIH13 12-12
- Report-Select Orders (Select)—AMIH22 12-48
- Select Materials (Inquiry)—AMIH15 12-20
- Select Miscellaneous Charges (Inquiry)—AMIH1E 12-43
- Select Operations (Inquiry)—AMIH19 12-29
- Select Orders (Select)—AMIH11 12-3
- Subset Selection (Select)—AMIH12 12-10
- Subset Selection (Select)—AMIH21 12-51
- Master File Maintenance
 - (Change) display—AMI7D2 9-77
 - (Status) display—AMI7D3 9-81
 - Edit List—AMI7D 14-172
 - form—IM-14 15-7
- Orders Closed report—AMI4O2 14-178
- Orders Released report—AMI4O1 14-181
- quantity adjustments using deviation quantity 2-34
- release 2-31
- Scrap (SM) Transaction Entry E-51
- scrap transactions 5-5
- splits 2-34, 6-3
- Status Report Options display—AMI2C2 4-17
- Status Report—AMI2E 14-175
- transaction updates E-1
- orders C-7, C-9
- planned issue transactions 5-5
- splitting orders 6-3
- Manufacturing Order Operation Detail file , general description 1-13
- manufacturing orders C-2
- master file
 - list of 1-11
 - searches 1-10
- Master Production Schedule Planning application 1-4
- master, General Ledger Master Entry/Change—AMV04 14-50
- material
 - dispatch 2-16
 - Picking List
 - By Order—AMI911 14-184
 - By Order—AMI913 14-189
 - By Order—AMI915 14-194
 - Consolidated—AMI912 14-187
 - Consolidated—AMI916 14-197
 - Requirements Planning 1-4
 - shortage 2-16, 3-2
- Material Requirements Planning order release C-10
- menus
 - Account Assignment Rule Management—AMIMB1 13-22
 - List Intercompany Accounts 13-101
 - List Rule Priorities 13-98
 - List Rules 13-95
 - Maintain Intercompany Accounts 13-84
 - Maintain Rule Priorities 13-65
 - Maintain Rules 13-27

- Simulate Account Assignments 13-79
- Calendar—AMIM78 9-96
- Code File Maintenance—AMIM7D 9-170
- File Listings—AMIM23 4-6
 - Contents of Bulk Store Areas 4-78
 - Contents of Quality Control Areas 4-76
 - Empty Locations 4-70
 - Goods Received Notes 4-83
 - Item Balance List 4-65
 - Item Base Price List 4-68
 - Item Master List 4-62
 - Locations and Contents 4-73
 - Miscellaneous Item Stock 4-80
- File Maintenance—AMIM70 9-1
 - Allocation Quantity Audit 9-152
 - Calendar 9-96
 - Code Files 9-170
 - Item Balance 9-30
 - Item Master 9-6
 - Location Control 9-108
 - Mfg Order Detail 9-82
 - Mfg Order Master 9-74
 - Offline Maintenance 9-181
 - On-Order Quantity Audit 9-151
 - Purchase Order Blanket Release Detail 9-66
 - Shop Packet Reprint 9-90
 - Work with Warehouses 9-153
- General Ledger Interface—AMIMB0 13-1
 - Accounts Assignment Rule Management 13-22
 - General Ledger Management 13-25
 - Transaction Account Assignment 13-24
- General Ledger Management—AMIMB3 13-25
 - Create Ledger Entries 13-128
 - List Chart of Accounts 13-162
 - Maintain General Ledger Master 13-155
 - Maintain Interface Control File 13-147
 - Print and Clear Temporary General Ledger 13-144
 - Print Temporary General Ledger 13-141
- Inquiry—AMIM10 3-1
 - Discrete Allocations 3-59
 - Display Item Detail 3-4
 - Item Availability 3-23
 - Item Balance Detail—All Warehouses 3-8
 - Item Balance Detail—Mgr Allocations 3-13
 - Item Balance History—Sales 3-28
 - Item Detail—By Location 3-53
 - Location Detail—By Item/Warehouse 3-42
 - Open Orders—By Item/Warehouse 3-18
 - Purchase Orders—By Order 3-34
 - Warehouse Summary—By Item 3-49
- Inventory Reports—AMIM22 4-4
 - Control Totals 4-35
 - Follow-up Shortage 4-36
 - Inventory Valuation 4-59
 - Invoices on Goods Received Notes 4-56
 - Item QC & Batch/Lot Controls 4-46
 - Items Waiting Inspection 4-49
 - Outstanding Goods Received Notes 4-54

- Reject Items Waiting Disposition 4-52
- Reorder Report 4-31
- Location Control—AMIM79 9-108
 - Batch/Lot Numbers 9-115
 - Batch/Lot Quality Control Status 9-109
 - Bulk Store Areas 9-145
 - Location Detail 9-121
 - Location Quantity Audit 9-149
 - Quality Control Areas 9-141
- Main Menu—AMIM00 1-2
 - File Maintenance 9-1
 - General Ledger Interface 13-1
 - Inquiry 3-1
 - Manufacturing Order History 12-1
 - Order Release and Closeout 6-1
 - Period Closing Activity 8-1
 - Physical Inventory 7-1
 - Reports 4-1
 - Transaction History 10-39
 - Transaction Processing 5-1
 - Work with Inventory Management 11-1
- Manufacturing Order History—AMIMA0 12-1
 - Archive Processing 12-53
 - Inquiry 12-2
 - Reports 12-47
- Offline Maintenance—AMIM7E 9-182
- Order Release and Closeout—AMIM40 6-1
 - Create Shop Packet 6-82
 - Order Closeout Report and Purge 6-108
 - Order Closeout Selection 6-102
 - Order Entry 6-2
 - Order Release 6-74
 - Order Release with Shop Packet 6-78
- Period Closing Activity—AMIM60 8-1
 - LIFO/FIFO Maintenance 8-21
 - LIFO/FIFO Transaction Purge and List 8-16
 - LIFO/FIFO Valuation Report 8-11
 - Period End/Year End Close 8-4
- Physical Inventory—AMIM50 7-1
 - Cycle Count Selection 7-19
 - Entry 7-25
 - Entry from Offline Files 7-35
 - Physical Inventory Update 7-41
 - Total Physical Selection 7-10
 - Variance Report 7-36
- Reports—AMIM20 4-1
 - File Listings 4-6
 - Inventory Reports 4-4
 - Status/Analysis Reports 4-3
- Shop Packet Creation—AMIM44 6-82
 - Individual Order Selection 6-95
 - Multiple Order Selection 6-83
- Status/Analysis Reports—AMIM21 4-3
 - ABC Analysis 4-22
 - Financial Stock Analysis 4-25
 - Manufacturing Order Status 4-16
 - Purchase Order Status 4-13
 - Purchase/Manufacturing Order Status 4-19

- Stock Movement Analysis 4-28
- Stock Status—Inventory 4-7
- Stock Status—Location 4-10
- Transaction Account Assignment—AMIMB2 13-24
 - Assign Accounts 13-104
 - Edit Assigned Accounts 13-111
- Transaction History—AMIM80 10-1, 10-39
 - Delete Restored Transaction History 10-58
 - Delete Transaction History Archive Records 10-59
 - Purge/Save Transaction History 10-49
 - Restore Transaction History 10-54
 - Transaction History Inquiries 10-5
 - Transaction History Reports 10-39
- Transaction Processing—AMIM30 5-1
 - Advance Shipping Notices 5-306
 - Discrete Allocation 5-284
 - Discrete Allocation Worksheet Generation 5-281
 - Entry 5-10
 - Entry from Offline Files 5-256
 - Invoices to Goods Received Notes 5-302
 - Miscellaneous Item Transactions 5-298
 - Quality Control Transactions 5-263
 - Transaction Register 5-259
- Work with—AMIM90 11-1
 - Discrete Allocations 11-13
 - Location Items 11-21
 - Warehouse Items 11-19
 - Warehouse Locations 11-17
 - Warehouses 11-15
 - Work with Item Allocations 11-11
 - Work with Item Locations 11-9
 - Work with Item Warehouses 11-6
 - Work with Items 11-3
- Mfg Allocation Audit Exception List/Run Statistics—AMI9A2 14-199
- milestone group reporting 2-41
- miscellaneous
 - component return to stock transactions 5-6, 10-4
 - interwarehouse transfer transactions 5-6, 10-4
 - inventory adjustment transactions 5-6
 - Issue (IS) Transaction Entry E-35
 - issue transactions 10-2
 - item issue transactions 5-6, 10-2
 - item receipt transactions 5-6, 10-3
 - Item Stock
 - (Select) display—AMIX31 4-81
 - List—AMINE 14-200
 - option on AMIM23 4-80
 - Item Transaction
 - (Enter) display—AMINB1 5-299
 - (Status) display—AMINB2 5-301
 - description 5-6
 - Register—AMINB 14-201
 - items 2-6, 2-49, 2-55
 - Receipt (RC) Transaction Entry E-39
 - receipt transactions 5-5, 10-3
 - sales shipment transactions 5-6, 10-4
 - transactions 5-6, 10-4
- MMS,transaction processing 5-8

monthly

AMV601—Temporary General Ledger Print 13-142

AMV601—Temporary General Ledger Print and Clear (Options) 13-145

multiple

batch/lots per location 2-13, 2-53

items per location 2-13, 2-53

locations 2-51, 7-40

locations per item 2-13

warehouse support 2-11

N

negative on-hand balances 2-29

net

intercompany accounting, General Ledger interface 13-17

Inventory Management order release C-7

O

offline

data entry 2-44, 5-256, A-3, A-4

file ,formats A-4

Maintenance Options—AMVPOF 9-183

Maintenance—AMIM7E 9-182

offline files

copying 5-257

creating A-2

data entry, description A-1

format , description A-2

gathering information A-2

using forms A-2

viewing and printing A-3

open order data base C-7

operation yield

average 2-37

cumulative through previous operation 2-37

current 2-37

standard 2-37

total cumulative 2-37

order

allocation 6-2

closeout

By Date—Purchase/Manufacture display—AMI4S2 6-106

Selection

by Date Audit List—Purchase/Manufacture—AMI4T 14-208

by Order Audit List—Purchase/Manufacture—AMI4S 14-210

Purchase/Manufacture display—AMI4S1 6-103

Purchase/Manufacture—AMI4S1 6-103

Summary and Material Purge Audit List—AMI4U 14-212

entry

Batch Control Update—Purchase/Manufacture report—AMI4D 14-213

Blanket Detail (Review)—AMI4A3R 6-17

Blanket Release (Enter)—AMI4A3 6-15

Component Availability

(Enter)—AMI4A4A 6-27

(Review)—AMI4A4AR 6-30

Component Detail

(Enter)—AMI4A5 6-32

(Review)—AMI4A5R 6-35

- Manufacture
 - (Enter)—AMI4A4 6-19
 - (Review)—AMI4A4R 6-25
 - Split (Enter)—AMI4A8 6-48
 - Split (Review)—AMI4A8R 6-51
 - Split (Select)—AMI4A10 6-60
- Mfg Per Cust Order
 - (Enter)—AMI4A9 6-53
 - (Review)—AMI4A9R 6-58
 - (Select)—AMI4A11 6-61
- Milestone Group
 - Define/Remove (Enter)—AMI4A1 6-70
 - Define/Remove (Review)—AMI4A15R 6-72
- Miscellaneous Detail
 - (Enter)—AMI4A7 6-43
 - (Review)—AMI4A7R 6-46
- Operation Detail
 - (Enter)—AMI4A6 6-37
 - (Review)—AMI4A6R 6-41
 - Additional Description (Enter)—AMI4A13 6-66
 - Additional Description (Review)—AMI4A13R 6-68
- option on AMIM40 6-2
- Order Release
 - (Select)—AMIC51 6-76, 6-80
 - Option—AMIC52 6-77, 6-81
- Purchase
 - (Enter)—AMI4A2 6-10
 - (Review)—AMI4A2R 6-13
- Purchase/Manufacture
 - (Select)—AMI4A1 6-8
 - (Status)—AMI4A12 6-64
- history
 - accounting
 - Detail report—AMIH34 14-214
 - Material (Inquiry)—AMIH18 12-27
 - Operation (Inquiry)—AMIH1C 12-38
 - Summary (Inquiry)—AMIH14 12-16
 - Summary report—AMIH32 14-221
 - archive
 - Content report—AMIH4A 14-223
 - Inquiry—AMIH42 12-57
 - Processing (Select)—AMIH41 12-54
 - general
 - Material (Inquiry)—AMIH16 12-23
 - Miscellaneous Charge (Inquiry)—AMIH1F 12-45
 - Operation 12-32
 - Operation (Inquiry)—AMIH1A 12-32
 - Operation Descriptions (Inquiry)—AMIH1D 12-41
 - Orders Archived/Deleted/Erased report—AMIH45 14-225
 - Orders Restored/Recovered report—AMIH48 14-226
 - production
 - Detail report—AMIH33 14-227
 - Material (Inquiry)—AMIH17 12-25
 - Operation (Inquiry)—AMIH1B 12-35
 - Summary (Inquiry)—AMIH13 12-12
 - Summary report—AMIH31 14-234
 - select
 - Materials (Inquiry)—AMIH15 12-20

- Miscellaneous Charges (Inquiry)—AMIH1E 12-43
- Operations (Inquiry)—AMIH19 12-29
- Orders (Select)—AMIH11 12-3
- Orders (Select)—AMIH22 12-48
- Selected Orders/Schedules report—AMIH30 14-237
- Subset Selection (Select)—AMIH12 12-10
- open, Inquiry display (Inquiry)—AMI1D2 3-19
- point 2-35
- release
 - Batch Control Update—Purchase/Manufacture report—AMI4X 14-238
 - Batch Extract and B/M Explosion report—AMI4M 14-239
 - final assembly 2-32
 - manufacturing order release 2-31
 - purchase order release 2-30
 - Summary and Material Detail Update report—AMI4N 14-240
- release and closeout,option on AMIM40 6-1
- Shortage Report—Order Release—AMI4W2 14-241
- Order Closeout Options—Reporting and Purge display—AMC530 6-110
- Order Closeout Options—Routing Current Values Update display—AMC532 6-114
- Order Closeout Options—Routing Current Values Update display—AMC533 6-115
- Order Closeout Options—Select Site display—AMC53A 6-109
- Order Closeout Options—Work Center Analysis Report display—AMC531 6-112
- Order Closeout-Production Report—AMI4K1 14-202
- order release
 - overview C-1
- order start dates 2-30
- order, release and closeout, Shop Packet
 - Creation Options—Multiple Order Selection—Date Range—AMI4E1 6-86
 - Creation Options—Multiple Order Selection—Order Number Range—AMI4E2 6-88
 - Creation Options—Multiple Orders Selection—AMI4E0 6-84
 - Options—Multiple Orders—AMI4E3 6-89
 - Options—Multiple Orders—AMI4E4 6-92
- Order-Based Production Management order create C-10
- outstanding
 - Goods Received
 - Notes (Select) display—AMIGA1 4-55
 - Notes, option on AMIM22 4-54
 - GRNs
 - by Vendor report—AMIGB3 14-245
 - report—AMIGB2 14-244
 - with QC Inspection Complete report—AMIGB1 14-246

P

- P.O. Blanket Release Detail
 - File Maintenance (Add) display—AMI7C2 9-69
 - File Maintenance (Change)—AMI7C2 9-69
 - File Maintenance (Delete)—AMI7C3 9-71
 - File Maintenance (Select)—AMI7C1 9-67
 - File Maintenance (Status)—AMI7C4 9-73
 - Maintenance Edit List—AMI7C 14-247
- Period Closing
 - LIFO/FIFO
 - Inventory Valuation
 - Report Options—AMI6D1 8-12
 - Report Options—AMI6D2 8-14
 - Transaction Maintenance
 - (Add) display—AMI6H4 8-25

- (Change) display—AMI6H5 8-27
- (Delete) display—AMI6H6 8-29
- (Select) display—AMI6H3 8-24
- (Status) display—AMI6H7 8-30
- (Stop) display—AMI6H1 8-22
- (Warning) display—AMI6H2 8-23
- Transaction Purge and List
 - Options display—AMI6F1 8-17
 - Options display—AMI6F2 8-19
- menu AMIM60 8-1
- Stock Status
 - display—AMI6A1 8-5
 - Options display—AMI6A2 8-7
- period end
 - average
 - estimated average annual usage 2-42
 - period-end balance 2-42
 - sales per period 2-42
 - Period-End/Year-End Inventory Stock Status report—AMI6C 14-249
 - year-end close, option on AMIM60 8-4
- periodic counting
 - by control group 7-9
 - definition 7-4
 - timing 7-7
- phantoms 2-4, 2-33
- physical inventory
 - adjustment transactions 10-4
 - Attach Final Totals report—AMI5F 14-251
 - Batch Control Update report—AMI5X 14-252
 - Cycle Count Selection
 - Controlled Warehouses Report Options—AMI5A4 7-20
 - Uncontrolled Warehouses Report Options—AMI5A5 7-23
 - Edit Final Totals—AMI5C2 14-253
 - Edit Listing—AMI5C1 14-253
 - how to use 7-4
 - List for Controlled/Uncontrolled Warehouses—AMI5B 14-35
 - Option display—AMIC52 7-44
 - option on AMIM50 7-1
 - Physical Inventory
 - (Enter)—AMI5E1 7-28
 - (Review)—AMI5E2 7-30
 - Data Entry Control—AMI5Z1 7-26
 - Entry Batch Status—AMI5E3 7-32
 - Selection (Caution) display—AMI5A0 7-11
 - Selection Report Options display—AMI5A1 7-13
 - Total Physical Selection
 - Controlled Warehouses Report Options—AMI5A2 7-15
 - Uncontrolled Warehouses Report Options—AMI5A3 7-17
 - Update (Select) display—AMIC51 7-42
 - using batch/log numbers 7-34
 - Variance Report
 - (Select)—AMIC51 7-37
 - display—AMI56A 7-39
 - Option—AMIC52 7-38
- Physical Transaction Register
 - Approved/Unapproved Error Items—AMI5J 14-254
 - Approved/Unapproved Processed Items—AMI5J 14-255
- Pick Complete by

Item (PB) Transaction Entry E-38
 item transactions 5-5, 10-2
 Order (PC) Transaction Entry E-38
 order transactions 5-5, 10-2
 Pick Requirements Audit Exception List—AMI9D 14-257
 Planned Manufacturing Issue (IP) Transaction Entry E-34
 planned manufacturing issue transactions 5-5
 PM-01 Item Master file maintenance, general information form 15-19
 PM-02 Item Master file maintenance—additional information form 15-21
 PM-03 Item Master file maintenance—costing information form 15-23
 PM-04 Item Master file maintenance—purchasing information form 15-25
 PM-26A Item Master offline file maintenance—A-record form 15-32, 15-35
 PM-28 Item Master offline data entry—C-record form 15-37
 print
 AMV601—Print Temporary General Ledger (Options) 13-142
 AMV601—Print Temporary General Ledger Print and Clear (Options) 13-145
 General Ledger Master Entry/Change—AMV04 14-50
 Temporary General Ledger listing—AMV611 14-318
 Temporary General Ledger, option on AMIMB3 13-141
 Procurement Management order create C-11
 Product Data Management application 1-3, 1-4
 Product Structure Retrievals (Select) display—AMEC70 3-5
 Production Control and Costing application 1-4
 Production Control and Costing order release C-11
 Production Monitoring and Control application 1-4
 production receipt
 (RM) Transaction Entry E-42
 transactions 5-5, 10-3
 purchase
 item QC complete transactions 10-3
 order
 Blanket Release Detail File Maintenance form—IM-13 15-5
 Blanket Release Detail file updates E-22, E-23
 Closed report—AMI4R 14-265
 Comment file updates E-24, E-25, E-26, E-27
 Inquiry by Order (Inquiry) (blanket release detail) display—AMI1F2 3-38
 Inquiry by Order (Inquiry) (line item detail) display—AMI1F1 3-35
 Item Detail file
 (Change) display—AMI7B2 9-62
 (Select) display—AMI7B1 9-60
 (Status) display—AMI7B3 9-65
 Edit List—AMI7B 14-259
 Form—IM-12 15-3
 Master file updates E-16, E-17
 release 2-30
 Released report—AMI4R 14-265
 Routing file updates E-28, E-29
 Scrap (SP) Transaction Entry E-52
 scrap transactions 5-6, 10-3
 Status Report Options display—AMI2C1 4-14
 Status Report—AMI2D 14-261
 to Vendor (VR) Transaction Entry E-55
 Update Routings (UR) Transaction Entry E-53
 update routings transactions 5-6
 Vendor Accept (VA) Transaction Entry E-54
 vendor acceptance transactions 5-6
 Purchase and Manufacturing Order Status Report Options display—AMI2C3 4-20
 Purchase/Mfg On-Order Audit Exception List—Run Statistics—AMI9C2 14-258

- receipt to
 - Dock (RD) Transaction Entry E-41
 - dock transactions 5-5, 10-3
 - Inspection (RI) Transaction Entry E-40
 - inspection transactions 5-5, 10-3
 - Stock (RP) Transaction Entry E-44
 - stock transactions 5-5, 10-3
- return to vendor transactions 5-6, 10-4
- transactions 10-4
- vendor acceptance transactions 10-4
- vendor update routing transactions 10-4
- purchase orders C-3, C-4, C-7, C-8
- purchased item
 - Items Waiting Inspection report (AMIQB2) 14-268
 - QC Complete (PQ) Transaction Entry E-38
 - QC complete transactions 5-6, 10-3
- Purchasing application 1-5
- Purchasing order create C-12

Q

- QC (see quality control) 2-49
- quality control
 - Approved Lots Only (Inquiry) display—AMIWA2 3-45
 - areas 2-15
 - (Select) display—AMICC1 9-142
 - (Status) display—AMICC2 9-144
 - Report (AMICC) 14-269
 - control (code) 2-49
 - cyclic item QC complete transactions 10-3
 - inspection 2-15, 2-26, 5-6
 - item reject (RQ) transaction 5-6, E-46
 - manufactured item QC complete transactions 10-3
 - purchase item QC complete transactions 10-3
 - reject item QC complete transactions 10-3
 - status change transactions 10-3
 - transactions 10-3
 - (Enter) display—AMIQH2 5-266
 - (Enter) display—AMIQH3 5-268
 - (Enter) display—AMIQH4 5-270
 - (Enter) display—AMIQH5 5-273
 - (Select) display—AMIQH1 5-264
 - (Status) display—AMIQH6 5-276
 - Report (AMIQH) 14-270
- quantity adjustments, manufacturing order 2-34
- quantity per, adjusted 2-38
- questionnaire, answer the IM application tailoring 2-49

R

- receipt
 - interwarehouse (RW) 5-5, 10-3, E-49
 - miscellaneous (RC) 5-5, 10-3, E-39
 - miscellaneous item (MR) 10-3
 - production (RM) 5-5, 10-3, E-41
 - purchase receipt to
 - dock (RD) 5-5, 10-3, E-41
 - inspection (RI) 5-5, 10-3, E-40
 - stock (RP) 5-5, 10-3, E-44

- transactions 5-5, 10-3
- Waiting Inspection (Select)
 - display—AMIQI1 5-277
 - display—AMIQI2 5-279
- Receive transactions (EDI) 1-3, 2-57, 5-306
- receiving advice
 - ANSI X.12 861 transaction 1-3, 2-56, 5-306
 - electronic report—AMIPSN0P 14-15
 - Report—AMIPSN0P 14-15
 - sending 5-306
- reject
 - Items Waiting Disposition (Select) display—AMIX11 4-53
 - Items Waiting Disposition report (AMIQD) 14-273
 - Items Waiting Disposition, option on AMIM22 4-52
 - material 5-323
 - reject item QC complete transactions 10-3
- Remove History Archive Records (Select) display—AMI2V1 10-60
- Reorder Report, option on AMIM22 4-31
- Repetitive Production Management application 1-5
- Repetitive Production Management Schedule Release C-12
- report
 - AMV601—Temporary General Ledger Print 13-142
 - AMV601—Temporary General Ledger Print and Clear (Options) 13-145
- reports 4-1
 - ABC Analysis Report—AMI2H 14-9
 - Account Assignment Register—AMIGZ 14-11
 - Annual Usage Extension—AMI2G 14-16
 - Batch/Lot Numbers—AMIQK 14-17
 - Batch/Lot Quality Control Status—AMIQF 14-18
 - Batch/Lot Review
 - (Select) display—AMI2U4 10-47
 - Batch/Lot History—AMIS12 14-19
 - Item History—AMIS11 14-19
 - Order History—AMIS13 14-19
 - Bulk Store Areas—AMICD 14-21
 - Calendar File Load Report—AMI7H1 14-22
 - Contents of Bulk Store—AMIWE 14-23
 - Contents of QC Area—AMIWG 14-24
 - Control Total—Item Balance File—AMI2N 14-26
 - Cost Total Sheet—Closed Order—AMI4K2 14-28
 - Create Ledger Entries Register—AMIGX 14-29
 - Customer Order Shortage Report—Follow-up Analysis—AMI4W3 14-33
 - Cycle Count List for Controlled/Uncontrolled Warehouses—AMI5B 14-35
 - Cyclic QC Due/Overdue—AMIQB3 14-37
 - Discrete Allocation Worksheet
 - by Item—Batch/Lot—AMINK 14-39
 - by Item—FIFO Date—AMINL 14-41
 - Discrete Allocations—AMING 14-43
 - Edit Assigned Accounts Register—AMIG2 14-45
 - Empty Locations in Warehouse—AMIWD 14-49
 - Goods Received Notes Since Last Report—AMIGF1 14-53
 - Goods Received Notes—AMIGF2 14-52
 - how to use 4-2
 - Intercompany Accounts List—AMVGY 14-54
 - Inventory
 - Analysis Report—Financial—AMI2K1 14-56
 - Analysis Report—Stock Movement—AMI2K2 14-59
 - Reorder Report—AMI2M 14-61

Stock Status Review—AMI2B	14-64
Transaction	
Batch Control Update—AMI3X	14-66
Batch Extract—AMI3E	14-67
Edit List—AMI3B	14-68
Register—Processed Items/Totals—AMV3G	14-72
Valuation and Variance Report—AMI5H	14-79
Valuation—AMISQ, AMISR, AMISS	14-77
Invoices on Goods Received	
Notes Since Last Report—AMIGG1	14-83
Notes—AMIGG2	14-82
Invoices to Goods Received Notes—AMIGH	14-84
Item Balance File	
List, Report Options—AMI2S1	4-66
List—AMI2T	14-85
Maintenance Edit List—AMI7A	14-101
Offline Edit List—AMK11	14-99
Item Base Price List	
report—AMVB6PFR	14-117
Item Base Price List—AMVB6PFR	14-117
Item Master File	
Maintenance—AMVT0	14-104
Report—Brief—AMVE40	14-107
Report—Complete—AMVE41	14-110
Report—Current or Standard Costs—AMVE42	14-112
Report—Purchase Item Description—AMVE44	14-116
Report—Purchase Item Detail—AMVE43	14-114
Item Master File Report—Brief—AMVE40	14-103
Item Shortage Report	
Follow-up Analysis—AMI4Q3	14-120
Order Release—AMI4Q2	14-125
Items Selected for Physical Inventory/Cycle Count—AMI5H2	14-128
LIFO Transaction Reconciliation—AMI6G	14-135
LIFO/FIFO	
Inventory Valuation Report—AMI6E	14-130
Transaction File Edit—AMI6I	14-132
Transaction Maintenance Edit List—AMI6H	14-133
list of major 1-15,	14-1
Location	
Detail	
Individual Locations—AMICA	14-138
Location Quantities—AMIZD	14-140
Multiple Locations—AMICB	14-142
Detail report—AMIXK	14-137
Locations and Contents—AMIWH	14-150
Quantity/Item Balance Audit—AMIC21	14-144
Stock Status—Detail—AMISD	14-146
Stock Status—Summary—AMISF	14-148
Maintain	
Intercompany Accounts Register—AMVG1	14-152
Interface Control File Register—AMVLI	14-154
Rule Priorities Register—AMIG6	14-157
Rules Register—AMIG5	14-160
Manufacturing Items Waiting Inspection—AMIOB1	14-168
Manufacturing Order	
Closed—AMI4Q2	14-178
Detail File Maintenance Edit List—AMI7E	14-169
Master Maintenance Edit List—AMI7D	14-172

Released—AMI4O1 14-181
Shortage Report—Follow-up Analysis—AMI4W4 14-164
Status Report—AMI2E 14-175
Material Picking List
 By Order
 AMI911 14-184
 AMI913 14-189
 AMI915 14-194
 Consolidated
 AMI912 14-187
 AMI914 14-192
 AMI916 14-197
Mfg Allocation Audit Exception List/Run Statistics—AMI9A2 14-199
Miscellaneous Item Stock List—AMINE 14-200
Miscellaneous Item Transaction Register—AMINB 14-201
Order
 Closeout
 Selection by Date Audit List—Purchase/Manufacture—AMI4T 14-208
 Selection by Order Audit List—Purchase/Manufacture—AMI4S 14-210
 Summary and Material Purge Audit List—AMI4U 14-212
 Entry Batch Control Update—Purchase/Manufacture—AMI4D 14-213
 History
 Accounting Detail—AMIH34 14-214
 Accounting Summary—AMIH32 14-221
 Archive Content—AMIH4A 14-223
 Orders Archived/Deleted/Erased—AMIH45 14-225
 Orders Restored/Recovered—AMIH48 14-226
 Production Detail—AMIH33 14-227
 Production Summary—AMIH31 14-234
 Reports Selected Orders/Schedules—AMIH30 14-237
 Release
 Batch Control Update—Purchase/ Manufacture—AMI4X 14-238
 Batch Extract and B/M Explosion—AMI4M 14-239
 Summary and Material Detail Update—AMI4N 14-240
 Shortage Report—Order Release—AMI4W2 14-241
Order, Closeout, Production Report—AMI4K1 14-202
Outstanding GRNs
 by Vendor—AMIGB3 14-245
 report—AMIGB2 14-244
 with QC Inspection Complete—AMIGB1 14-246
P.O. Blanket Release Detail Maintenance Edit List—AMI7C 14-247
Period-End/Year-End Inventory Stock Status—AMI6C 14-249
Physical Inventory
 Attach Final Totals—AMI5F 14-251
 Batch Control Update—AMI5X 14-252
 Edit Final Totals—AMI5C2 14-253
 Edit Listing—AMI5C1 14-253
 List for Controlled/Uncontrolled Warehouses—AMI5B 14-35
Physical Transaction Register
 Approved/Unapproved Error Items—AMI5J 14-254
 Approved/Unapproved Processed Items—AMI5J 14-255
Pick Requirements Audit Exception List—AMI9D 14-257
Purchase Order
 Closed—AMI4R 14-265
 Item Detail Maintenance Edit List—AMI7B 14-259
 Released—AMI4R 14-265
 Status Report—AMI2D 14-261
Purchase/Mfg On-Order Audit Exception List—Run Statistics—AMI9C2 14-258

Purchased Items Waiting Inspection (AMIOB2) 14-268
 Quality Control Areas (AMICC) 14-269
 Quality Control Transactions (AMIOH) 14-270
 Reject Items Waiting Disposition (AMIQD) 14-273
 Rule Priorities List—AMIGR 14-274
 Rules List—AMIGS 14-277
 Schedule History—AMIH35 14-281
 Shop Packet Worksheet
 AMI4H1 14-285
 AMI4H2 14-291
 AMI4H3 14-296
 AMI4I1 14-302
 AMI4I2 14-308
 AMI4I3 14-313
 Transaction
 Analysis
 (Select) display—AMI2U3 10-45
 Detail—AMICU2 14-320
 Summary—AMICU1 14-322
 History
 Multiple Items—AMI2Z3 14-325
 Purge Options—AMI2W1 14-329
 Report Options (Select) display—AMI2U2 10-42
 Report Selection display—AMI2U1 10-40
 Single Item—AMI2Z2 14-330
 reports by ID ,AMVE40 -Item Master File Report—Brief 14-103
 Reports displays
 Item Base Price List (Options) – AMV540 4-69
 Item Master Report (Select) – AMVE11 4-63
 restart considerations 9-5
 restore
 Inventory Transaction History (Select) display—AMI2R2 10-56
 Transaction History records 10-55
 reuse transaction batches 5-3
 reverse
 issues for IOR components 5-322
 issues for uncontrolled floor stock 5-322
 issues, non-floor stock 5-320
 transactions 5-326
 rule priorities, General Ledger interface 13-6, 13-9, 13-11
 rules
 General Ledger interface 13-6, 13-8, 13-10
 rules and rule priorities
 Rule Priority List—AMIGR 14-274
 Rules List—AMIGS 14-277
 run hours, adjusted 2-38

S

Sales Analysis application 1-5
 sales shipment
 (SA) Transaction Entry E-50
 transactions 5-6, 10-4
 Save History File to Tape—AMIPDHFM 10-53
 schedule
 History report—AMIH35 14-281
 Inventory Management work 2-3
 management, Batch/Lot Quality Control Status

- (Change)—AMIQF2 9-112
- (Select)—AMIQF1 9-110
- (Status)—AMIQF3 9-114
- work flow 2-3
- schedules C-7
 - manufacturing C-4
 - schedule release C-1
- scrap
 - from stock (SS) 5-6, 10-3, E-53
 - manufacturing component (SC) 5-5, 10-3, E-51
 - manufacturing order (SM) 5-5, 10-3, E-51
 - purchase order (SP) 5-6, 10-3, E-52
 - transactions 2-18–2-21, 2-37, 2-41, 5-5, 10-3
- searching master files 1-10
- Security areas G-1
- select
 - items for counting 7-4
 - Summarization Options window 13-133
- Send transactions (EDI) 1-3, 2-57, 5-306
- separate intercompany accounting, General Ledger interface 13-17
- sequence, user, components 2-7
- set sequence of Inventory Management tasks 2-2
- shipping, Advanced Shipping Notice report—AMIPSNOP 14-15
- shop packet
 - creation options
 - Multiple Order Selection–Date Range display—AMI4E1 6-86
 - Multiple Order Selection–Order Number Range display—AMI4E2 6-88
 - Multiple Orders Selection display—AMI4E0 6-84
 - options
 - Multiple Orders displays—AMI4E3 6-89
 - Multiple Orders displays—AMI4E4 6-92
 - Order Closeout by Date—Purchase/Manufacture—AMI4S2 6-106
- worksheet
 - AMI4H1 14-285
 - AMI4H2 14-291
 - AMI4H3 14-296
 - AMI4I1 14-302
 - AMI4I2 14-308
 - AMI4I3 14-313
- shortage, material 2-16, 3-2
- simulate
 - Account Assignments
 - display—AMIG401 13-80
 - option on AMIMB1 13-79
- simulating account assignments 13-12
- simulation, General Ledger interface 13-6
- Single Level Bill of Material (Inquiry) display—AMEC71 3-6
- S-number 2-6, 2-32, 2-33, 6-3
- source material 2-2
- Source of Demand display—AMM771 12-7
- special locations 2-15
- specify
 - discrete allocations
 - to Display—AMIDDA00 11-14
 - to Work With—AMIWDA00 11-14
 - item
 - Allocations to Work With—AMIWIA00 11-12
 - Location to Display—AMIDIL00 11-10

- Locations to Work With—AMIWIL00 11-10
- to Display—AMVDIM00 11-4
- Warehouse to Display—AMIDIW00 11-7
- Warehouses to Work With—AMIWIW00 11-7
- Ledger Entries to Create—AMIG304 13-138
- Location Items to Work With—AMIWLI00 11-22
- Primary Company window 13-135
- Priorities to Maintain (Select)—AMIG601 13-66
- rules
 - to Copy—AMIG511 13-57
 - to Delete—AMIG512 13-60
- transactions
 - to Assign—AMIG102 13-109
 - to Edit—AMIG206 13-124
- warehouse
 - Items to Work With—AMIWWI00 11-20
 - Location to Display—AMIDWL00 11-18
 - Locations to Work With—AMIWWL00 11-18
 - to Display—AMIDWM00 11-16
- Specify Intercompany Accounts to Copy—AMVG106 13-92
- Specify Intercompany Accounts to Delete—AMVG107 13-93
- Specify Intercompany Accounts to Maintain (Select)—AMVG101 13-85
- split
 - assigned accounts, on Edit Assigned Accounts—AMIG202 13-122
 - manufacturing orders 6-3
 - orders 2-34
- split order C-8
- splitting
 - ledger entries, General Ledger interface 13-19
 - transactions, General Ledger interface 13-14
- standard cost
 - description 2-8
 - Replace (CS) transaction E-33
 - replace (CS) transaction 5-5
- standard item costing 2-7, 2-8
- start dates, order 2-30
- stock
 - location, scheme 2-13
 - movement analysis
 - option on AMIM21 4-28
 - Report Options display—AMI212 4-29
 - status
 - Extract file 1-15
 - Inventory—option on AMIM21 4-7
 - Location—option on AMIM21 4-10
 - Review Report Options display—AMI2A1 4-8
- subdivisions, alphabetic and numeric 2-15
- subset
 - Discrete Allocations List—AMISDA00 11-14
 - item
 - Allocations List—AMISIA00 11-12
 - List—AMISIM00 11-4
 - Locations List—AMIISO00 11-10
 - Warehouses List—AMISIW00 11-7
 - Location Items List—AMISLI00 11-22
 - Selection (Select) display—AMIH21 12-51
 - warehouse
 - Items List—AMISWI00 11-20

List—AMISWM00 11-16
 Locations List—AMISWL00 11-18
 subset, warehouse, display—AMVW22 9-158
 summarizing ledger entries, General Ledger interface 13-16
 system ,Control file 1-11

T

tables, transaction update E-1
 tasks, analyze 2-1
 Temporary General Ledger
 Print and Clear, option on AMIMB3 13-144
 Print, option on AMIMB3 13-141
 timing
 average cost calculation 2-11
 last cost calculation 2-11
 physical and cycle counting 7-7
 Total Physical Selection
 Controlled Warehouses Report Options—AMI5A2 7-15
 Uncontrolled Warehouses Report Options—AMI5A3 7-17
 tracking, batch/lot 2-26
 transaction
 fields used in General Ledger interface 13-6
 history
 Detail (Inquiry) display—AMIS18 10-33
 inquiry
 by Line 10-27
 by Order 10-22
 summary
 by Item (Inquiry) display—AMIS12 10-8
 by Item (Inquiry) display—AMIS15 10-10
 by Item and Batch/Lot (Inquiry) display—AMIS13 10-16
 by Item and Batch/Lot (Inquiry) display—AMIS16 10-18
 by Line (Inquiry) display—AMIS10 10-27
 by Line (Inquiry) display—AMIS19 10-30
 by Order (Inquiry) display—AMIS14 10-22
 by Order (Inquiry) display—AMIS17 10-24
 transaction history
 Batch/Lot Review (Select)—AMI2U4 10-47
 how to use 10-2
 inquiry
 option on AMIM80 10-5
 Multiple Items report—AMI2Z3 14-325
 option on AMIM80 10-1, 10-39
 Purge Options (Select)—AMI2X1 10-50, 10-53
 Purge Options report—AMI2W1 14-329
 Remove Archive Records (Select)—AMI2V1 10-60
 Report Options (Select)—AMI2U2 10-42
 Report Selection (Select)—AMI2U1 10-40
 Restore Files (Select)—AMI2R2 10-56
 Restore Options (Select)—AMI2R1 10-55
 Single Item report—AMI2Z2 14-330
 Transaction Analysis (Select)—AMI2U3 10-45
 transaction types
 General Ledger interface 13-2
 transactions
 Account Assignment menu—AMIMB2 13-24
 analysis

Detail report—AMICU2 14-320
 Summary report—AMICU1 14-322
 Average Cost Replace (CR) 5-5, 10-3, E-33
 Batch/Lot Number Change (LQ) 10-4
 Component Return to Stock (RS) 10-4
 Component Return to Stock (RS) 5-6, E-47
 cost 5-5, 10-3
 Cost Adjustment (CA) 5-5, 10-3, E-32
 Cyclic Item QC Complete (CQ) 5-6, 10-3, E-32
 EC transactions 1-3, 2-56, 5-306, 14-15
 Interwarehouse
 Issue (IW) 5-5, 10-2, E-37
 Receipt (RW) 5-5, 10-3, E-49
 Transfer (TW) 5-6, 10-4, E-53
 Inventory Adjustment (IA) 5-6, 10-4, E-33
 issue 5-5, 10-2
 Location Quantity Maintenance (LA) 10-4
 Manufactured Item QC Complete (MQ) 5-6, 10-3, E-37
 Manufacturing
 Component Scrap (SC) 5-5, 10-3, E-51
 Order Scrap (SM) 5-5, 10-3, E-51
 Miscellaneous
 Issue (IS) 10-2, E-35
 Item Issue (MI) 5-6, 10-2
 Item Receipt (MR) 5-6, 10-3
 Receipt (RC) 5-5, 10-3, E-39
 Physical Inventory Adjustment (PH) 10-4
 Pick Complete by
 Item (PB) 5-5, 10-2, E-38
 Order (PC) 5-5, 10-2, E-38
 Planned Manufacturing Issue (IP) 5-5, 10-2, E-34
 processing
 from offline device 2-44
 how to use 5-8
 option on AMIM30 5-1
 types 5-5
 with MMS 5-8
 Production Receipt (RM) 5-5, 10-3, E-42
 Purchase Order
 Scrap (SP) 5-6, 10-3, E-52
 to Vendor (VR) 5-6, 10-4, E-55
 Update Routings (UR) 5-6, 10-4, E-53
 Vendor Accept (VA) 5-6, 10-4, E-54
 Purchase Receipt to
 Dock (RD) 5-5, 10-3, E-41
 Inspection (RI) 5-5, 10-3, E-40
 Stock (RP) 5-5, 10-3, E-44
 Purchased Item QC Complete (PQ) 5-6, 10-3, E-38
 QC Item Reject (RQ) 5-6, E-46
 QC Status Change (SQ) 10-3
 quality control 5-6, 5-323, 10-3
 receipt 5-5
 Reject Item QC Complete (RQ) 10-3
 reversing 5-326
 Sales Shipment (SA) 5-6, 10-4, E-50
 scrap 5-5, 10-3
 Scrap From Stock (SS) 5-6, 10-3, E-53
 Standard Cost Replace (CS) 5-5, 10-3, E-33

Unplanned Component Issue (IU) 5-5, 10-2, E-36
update

Item Sales Analysis file E-20, E-21
LIFO/FIFO Transaction file E-30, E-31
Manufacturing Order Master file E-12, E-14
Purchase Order
Blanket Release Detail file E-22, E-23
Comment file E-24, E-25, E-26, E-27
Master file E-16, E-17
Routing file E-28

tables E-1

transfers

interwarehouse 2-19, 2-44, 5-256, 5-323–5-326
intrawarehouse 5-62, 5-325

U

uncontrolled

floor stock 2-5–2-20, 5-49
floor stock, reversing issues 5-322
warehouses 2-12

unplanned component issue

(IU) Transaction Entry E-36
transaction type 5-5

update

average lead time 2-25
location quantities 2-54
master files 7-7
transactions E-1

user sequence

components 2-7
number 2-7

Using eWorkPlace with MAPICS XA documentation 1-18

V

Variance Report

(Select) display—AMIC51 7-37
display—AMI56A 7-39
Option display—AMIC52 7-38

viewing and printing offline files A-3

W

warehouse

controlled 2-6–2-29, 5-323, 6-2, 7-4, 7-4–7-6
MRP planning 2-36
multiple 2-11, 2-12
Summary by Item
(Inquiry) display – AMISB2 3-51
(Select) display – AMISB1 3-50
uncontrolled 2-6–2-12, 7-4–7-6

Warehouse Master (WHSMST) file 1-14

windows

Change Accounts 13-119
Exit Edit Assigned Accounts 13-127
Exit Maintain Rule Priorities 13-78
Exit Maintain Rules 13-63
Select Summarization Options 13-133

- Select Warehouses 3-12
- Specify Primary Company 13-135
- Split Assigned Accounts 13-122
- WIP area 2-15–2-19, 5-186
- work files 1-15
- Work with
 - Advance Ship Notices options 5-310
 - Advance Ship Notices—AMIWSN01 5-309
 - Discrete Allocations—AMIWDA01 11-14
 - Inventory Management, option on AMIM90 11-1
 - Item Allocations—AMIWIA01 11-12
 - Item Locations—AMIWIL01 11-10
 - Item Warehouses—AMIWIW01 11-7
 - Items—AMVWIM01 11-4
 - Location Items—AMIWLI01 11-22
 - panels, using F-1
 - Warehouse Items—AMIWWI01 11-20
 - Warehouse Locations—AMIWWL01 11-18
 - Warehouses—AMIWWM01 11-16
- Work With Calendars—AMVWWCOR 9-97
- work with options, Work With Items second-level options F-2
- Work with, Calendars display—AMVWWCOR 9-97
- Work with, Warehouses, display—AMVW21 9-154
- work-in-process areas 2-16

Contents	Index	Exit
-----------------	--------------	-------------